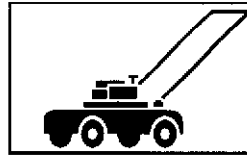


For Husqvarna Parts Call 606-678-9623 or 606-561-4983

 **Husqvarna**



7

Rider 1000/1200



1.1995

Spare parts

Ersatzteile

Pièces détachées

Reserve onderdelen

Repuestos

Reservdelar

Replaces

Ersetzt

Remplace

Vervangt

Reemplaza

Ersätter

106 23 44-63

PART NUMBER	SQUARE	NOTE	PART NUMBER	SQUARE	NOTE	PART NUMBER	SQUARE	NOTE	PART NUMBER	SQUARE	NOTE
161 08 23-01	G		506 59 74-01	EGKS		506 78 88-01	D		506 85 46-02	N	
501 69 17-02	P		506 59 75-01	AELR		506 78 97-01	JR	N	506 85 54-01	J	
502 71 36-01	P		506 59 92-01	H		506 78 98-01	K		506 85 55-01	E	
503 44 67-01	T	N	506 59 93-01	H		506 78 99-01	K		506 85 59-01	G	
503 44 68-01	T	N	506 62 26-01	A		506 79 10-01	E		506 85 60-01	KS	
503 44 69-01	T	N	506 66 34-01	D		506 79 17-01	N		506 85 61-01	KS	
503 44 71-02	T	N	506 66 45-01	E		506 79 22-01	D		506 86 03-02	B	
503 44 72-01	T	N	506 66 56-01	G		506 79 23-01	J		506 86 06-01	B	
504 92 02-00	P		506 66 58-01	G		506 79 24-01	N		506 86 13-01	E	
506 50 07-01	F		506 66 82-01	D		506 79 27-01	G		506 86 14-01	E	
506 50 08-01	F		506 66 83-01	D		506 79 30-01	G		506 86 15-01	E	
506 50 09-01	F		506 66 84-01	D		506 79 32-02	K		506 86 16-01	B	N
506 50 39-01	G		506 66 85-01	D		506 79 34-01	G		506 86 21-01	E	
506 50 48-04	L		506 66 88-01	AE		506 79 36-01	H		506 86 23-01	G	
506 50 54-01	JK		506 67 08-01	E		506 79 43-01	H		506 86 24-01	G	
506 50 62-01	H		506 67 19-01	E		506 79 45-01	D		506 86 33-01	F	
506 50 65-01	N		506 67 33-01	E		506 79 48-01	E		506 86 34-01	F	
506 50 92-01	D		506 67 50-01	E		506 79 56-01	G		506 86 36-01	F	
506 50 99-01	E		506 67 54-01	JR		506 79 74-02	K		506 86 39-01	N	
506 51 57-01	N		506 75 03-03	R		506 79 85-01	G		506 86 39-02	N	
506 51 87-01	JR		506 75 11-01	JR		506 79 86-01	G		506 86 41-01	N	
506 51 95-01	JR		506 75 11-03	J		506 79 99-01	P		506 86 42-01	N	
506 52 24-01	F		506 75 11-04	R		506 80 00-01	E		506 86 44-01	N	
506 52 77-01	G		506 75 12-01	JR		506 80 01-01	P		506 86 48-01	L	
506 53 14-01	N		506 75 13-01	JR		506 80 02-01	P		506 86 50-01	L	
506 53 15-01	N		506 75 13-03	J		506 80 09-01	L		506 86 58-01	E	
506 53 27-01	SR		506 75 13-04	R		506 80 93-01	B		506 86 59-01	N	
506 53 31-01	JR		506 75 14-01	JR		506 80 93-03	B		506 86 59-02	N	
506 53 35-01	JR		506 75 15-01	R		506 80 99-01	D		506 86 66-01	A	
506 53 41-01	R		506 75 90-01	E		506 81 26-01	G		506 86 67-01	A	
506 53 56-02	H		506 76 84-01	E		506 81 38-01	KS		506 86 67-02	A	
506 53 85-01	E		506 77 12-01	E		506 81 41-01	N		506 86 68-01	A	
506 53 86-01	E		506 77 13-01	D		506 81 46-01	D		506 86 69-01	A	
506 53 87-01	E		506 77 33-01	G		506 81 47-01	N		506 86 70-01	N	
506 53 88-01	E		506 77 34-01	G		506 81 49-01	K		506 86 71-01	A	
506 53 89-01	E		506 77 39-01	G		506 81 49-02	S		506 86 72-01	A	
506 53 94-01	F		506 77 42-01	G		506 81 54-01	D		506 86 73-01	A	
506 54 20-01	N		506 77 44-01	G		506 81 70-01	N		506 86 77-01	A	
506 54 35-01	GS		506 77 45-01	G		506 81 73-01	JR		506 86 78-01	L	
506 54 80-01	P		506 77 46-01	G		506 81 73-02	JR		506 86 82-01	E	
506 55 06-01	D		506 77 47-01	G		506 81 74-01	K		506 86 83-01	JR	
506 55 07-01	D		506 77 51-01	G		506 82 28-01	J		506 86 87-01	K	
506 55 08-06	P		506 77 53-01	G		506 82 31-01	KS		506 86 92-01	K	
506 55 08-07	P		506 77 56-01	E		506 82 34-01	KS		506 86 96-01	KS	
506 55 08-08	P		506 77 57-01	E		506 82 37-01	K		506 88 52-01	J	
506 55 43-01	N		506 77 58-01	E		506 82 41-01	K		506 88 53-01	K	
506 55 46-02	F		506 77 64-01	E		506 82 41-03	S		506 88 61-01	KS	
506 55 46-04	N		506 77 65-01	E		506 82 45-01	L		506 88 67-01	B	
506 55 47-01	F		506 77 66-01	E		506 82 47-01	G		506 88 68-01	B	
506 55 59-01	D		506 77 86-01	JR		506 82 48-01	G		506 88 69-01	B	
506 55 60-02	E		506 77 87-02	L		506 82 62-01	H		506 88 70-01	B	
506 55 65-01	N		506 77 87-03	L		506 82 63-01	H		506 88 71-01	B	
506 55 73-01	GK		506 77 87-04	R		506 82 68-01	K		506 88 78-01	F	
506 55 73-02	G		506 77 91-01	K		506 82 72-01	H		506 88 85-01	E	
506 55 83-02	JKSR		506 78 04-01	K		506 82 79-01	D		506 88 89-01	N	
506 55 86-01	D		506 78 18-02	H		506 82 82-01	D		506 88 91-01	N	
506 55 97-01	B		506 78 35-01	G		506 82 82-02	T	N	506 88 91-02	N	
506 56 38-01	G		506 78 36-01	N		506 82 89-01	D		506 88 99-01	G	
506 56 56-01	A		506 78 39-01	N		506 82 90-01	G		506 89 00-01	L	
506 56 65-01	G		506 78 40-01	N		506 82 96-01	D		506 89 01-01	L	
506 56 93-01	B		506 78 41-01	N		506 82 98-01	E		506 89 02-01	L	
506 57 01-03	E		506 78 42-01	N		506 83 04-01	G		506 89 06-01	E	
506 57 02-01	JKR		506 78 43-01	N		506 83 36-01	GE		506 89 08-01	A	
506 57 43-01	L		506 78 44-01	N		506 83 68-02	D		506 89 09-01	D	
506 57 63-01	E		506 78 45-01	N		506 83 73-01	G		506 89 15-01	C	
506 57 64-01	E		506 78 46-01	N		506 83 94-01	GKNS		506 89 18-01	E	
506 58 91-01	F		506 78 47-01	N		506 84 11-02	KS		506 89 20-01	E	
506 59 20-01	E		506 78 48-01	E		506 85 01-01	E		506 89 21-01	G	
506 59 46-01	E		506 78 68-01	D		506 85 41-01	N		506 89 22-01	G	
506 59 50-01	G		506 78 69-01	D		506 85 45-01	N		506 89 23-01	G	
506 59 51-01	G		506 78 79-01	D		506 85 46-01	N		506 89 28-01	B	

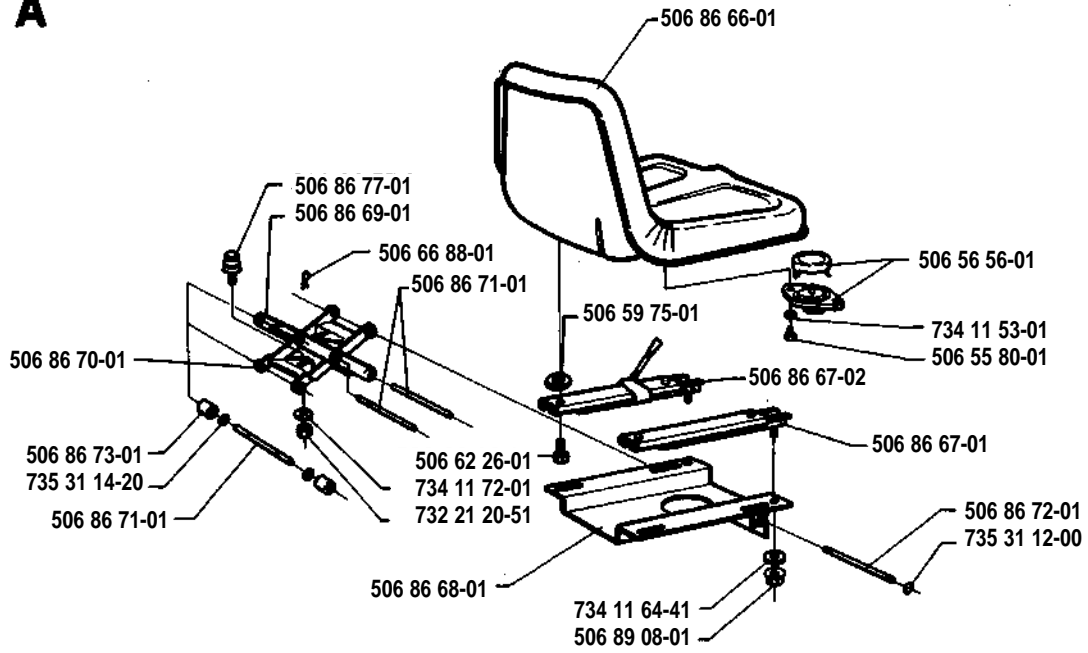
N-New part
 Neues teil
 Nouvelle piece
 Nueva pieza
 Ny detalj

MODEL NUMBER RT290

PART NUMBER	SQUARE	NOTE	PART NUMBER	SQUARE	NOTE	PART NUMBER	SQUARE	NOTE	PART NUMBER	SQUARE	NOTE
506 89 41-01	D		725 23 82-51	K		735 58 35-01	E				
506 89 76-01	K		725 24 49-51	EHJPR		735 91 89-00	FG				
506 89 78-01	K		725 24 51-51	DEJR		738 21 02-04	FKS				
506 89 81-01	G		725 24 52-51	K		738 21 04-00	G				
506 89 82-01	G		725 24 53-51	GJKR		738 21 04-04	EFG				
506 90 01-01	B		725 24 55-51	P		738 21 05-04	G				
506 90 56-01	N		725 24 57-51	K		738 21 10-04	E				
506 90 57-01	N		725 24 59-51	DGS		738 21 98-09	G				
506 91 54-06	G		725 24 60-51	G		738 22 04-19	FJLR				
506 91 55-01	M		725 24 61-51	H		738 88 10-01	EG				
506 91 56-01	C		725 24 62-51	KS		738 88 70-02	G				
506 91 59-01	M		725 24 73-51	G		740 48 12-02	E				
506 91 71-02	C		725 24 93-71	G		740 68 14-21	G				
506 91 73-01	C		725 24 95-71	K							
506 91 87-01	KS		725 24 97-51	N							
506 91 87-02	LR		725 25 00-51	F							
506 91 91-01	H		725 25 15-71	KS							
506 92 21-01	LR		725 25 20-51	P							
506 92 36-01	N		725 25 42-51	N							
506 92 37-01	N		725 25 46-51	KS							
506 92 37-02	M		725 52 89-55	T	M						
506 92 38-01	M		725 53 31-55	B							
506 92 39-01	M		725 64 57-01	GS							
506 92 41-01	M		728 74 55-05	E							
506 92 41-02	M		728 84 43-05	EG							
506 92 41-03	M		729 44 08-01	N							
506 92 43-01	S		729 53 29-71	E							
506 92 46-01	S		729 53 40-01	A							
506 92 47-01	S		729 54 14-01	E							
506 92 48-01	S		731 23 10-01	EG							
506 92 51-01	B		731 23 14-01	D							
506 92 54-01	R		731 23 16-01	G							
506 92 79-01	G		731 23 18-01	EGNP							
506 92 80-01	G		731 23 20-51	EFNK							
506 92 81-01	G		732 21 12-01	E							
506 92 85-01	N		732 21 14-01	BEGNM							
506 92 88-01	P	N	732 21 16-01	KN							
506 92 89-01	KS	N	732 21 18-01	DEGNJKN							
506 92 93-01	T	N	732 21 20-51	AFKP							
506 93 02-01	T	N	732 21 22-01	KS							
506 93 05-01	T	N	732 25 12-01	T	M						
506 93 21-01	T	N	732 31 22-01	N							
506 93 22-01	T	N	733 48 40-23	E							
506 93 23-01	T	N	734 11 24-01	EG							
506 93 24-01	T	N	734 11 36-01	B							
506 93 61-01	T	N	734 11 36-41	BE							
532 12 15-37	D		734 11 46-01	BD							
535 03 25-01	EG	N	734 11 53-01	AE							
721 43 10-50	G		734 11 53-41	B							
721 61 38-01	E		734 11 64-01	DEFGJKR							
721 61 52-01	H		734 11 64-41	EGJKPSR							
721 61 83-01	EM		734 11 72-01	AGKPS							
721 61 87-01	E		734 11 74-41	L							
721 62 01-01	GN		734 11 77-71	N							
721 68 02-51	N		734 48 80-01	E							
721 83 99-01	E		735 31 09-21	E							
722 78 29-02	C		735 31 12-01	E							
722 78 39-02	B		735 31 12-20	K							
722 79 44-02	D		735 31 14-20	AF							
723 12 28-01	EG		735 31 14-21	E							
723 53 31-51	E		735 31 15-20	GN							
724 13 25-01	E		735 31 17-00	KS							
724 13 29-51	E		735 31 18-20	N							
725 22 91-71	E		735 31 22-00	L							
725 23 25-51	G		735 31 22-20	N							
725 23 29-51	DE		735 31 26-00	EGL							
725 23 35-51	N		735 31 26-01	G							
725 23 64-61	EG		735 31 31-10	E							
725 23 66-51	E		735 31 38-10	E							
725 23 68-51	K		735 31 38-11	G							
725 23 74-71	GN		735 31 40-10	FG							

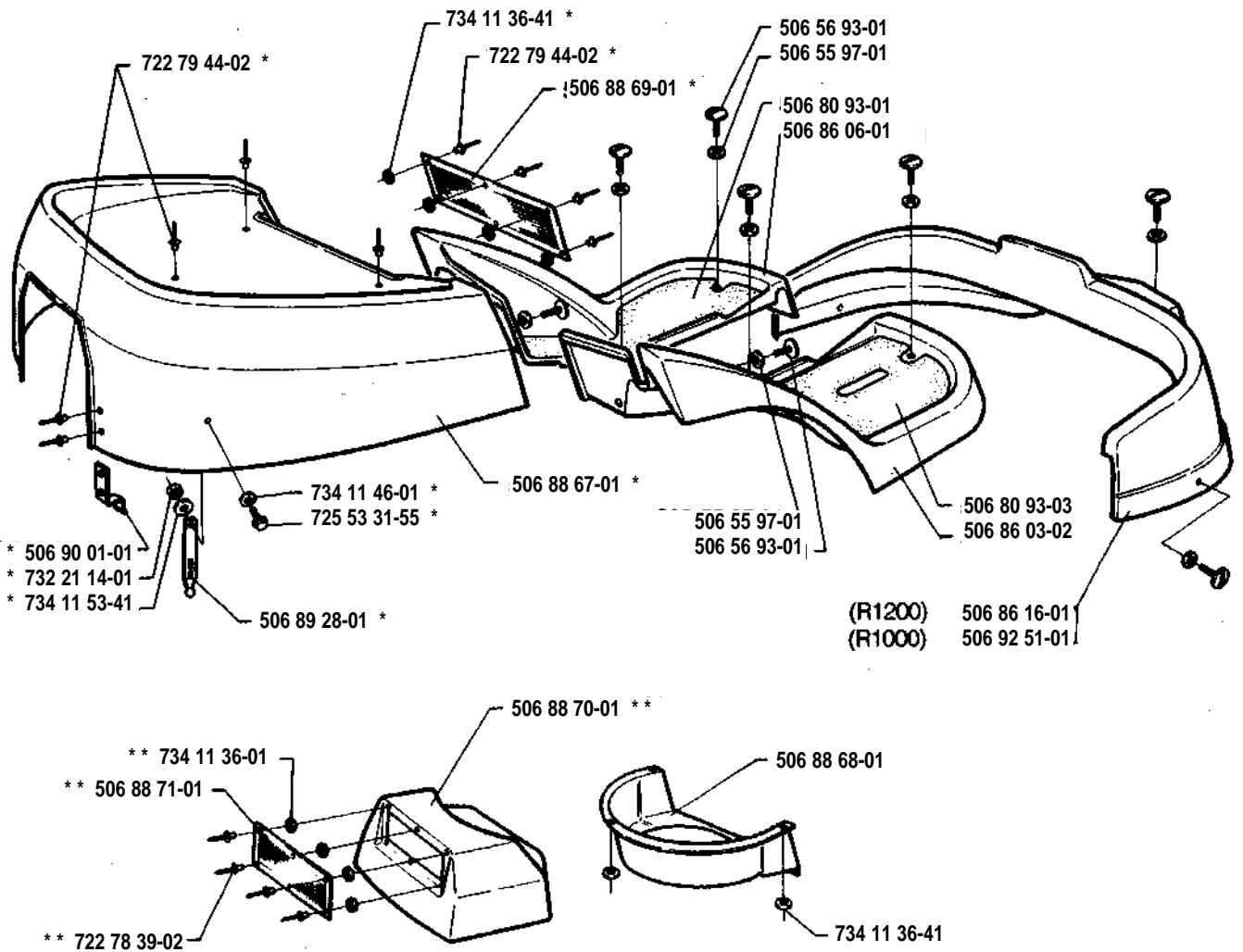
N-New part
 Neues teil
 Nouvelle piece
 Nueva pieza
 Ny detalj

A

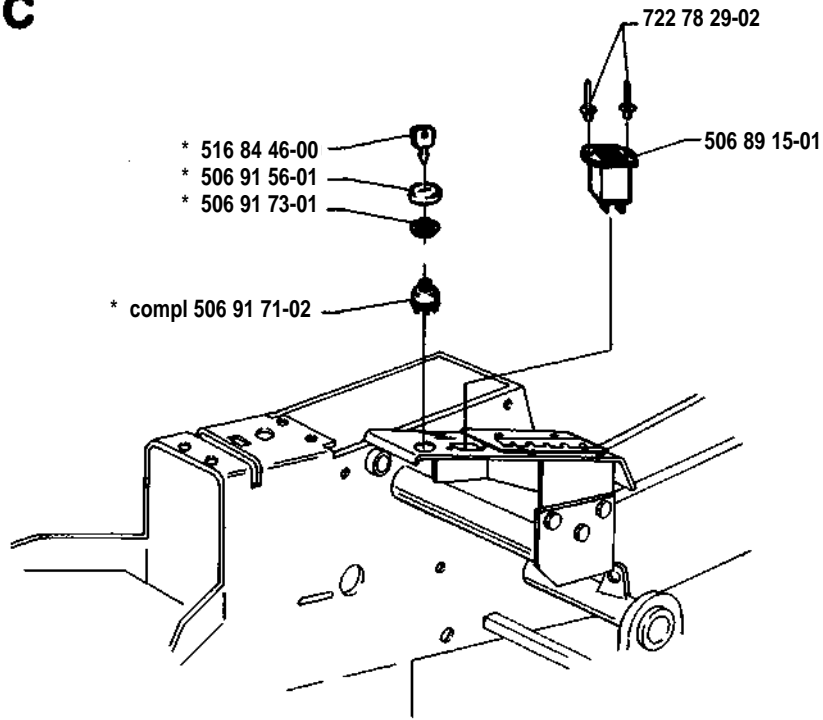


B

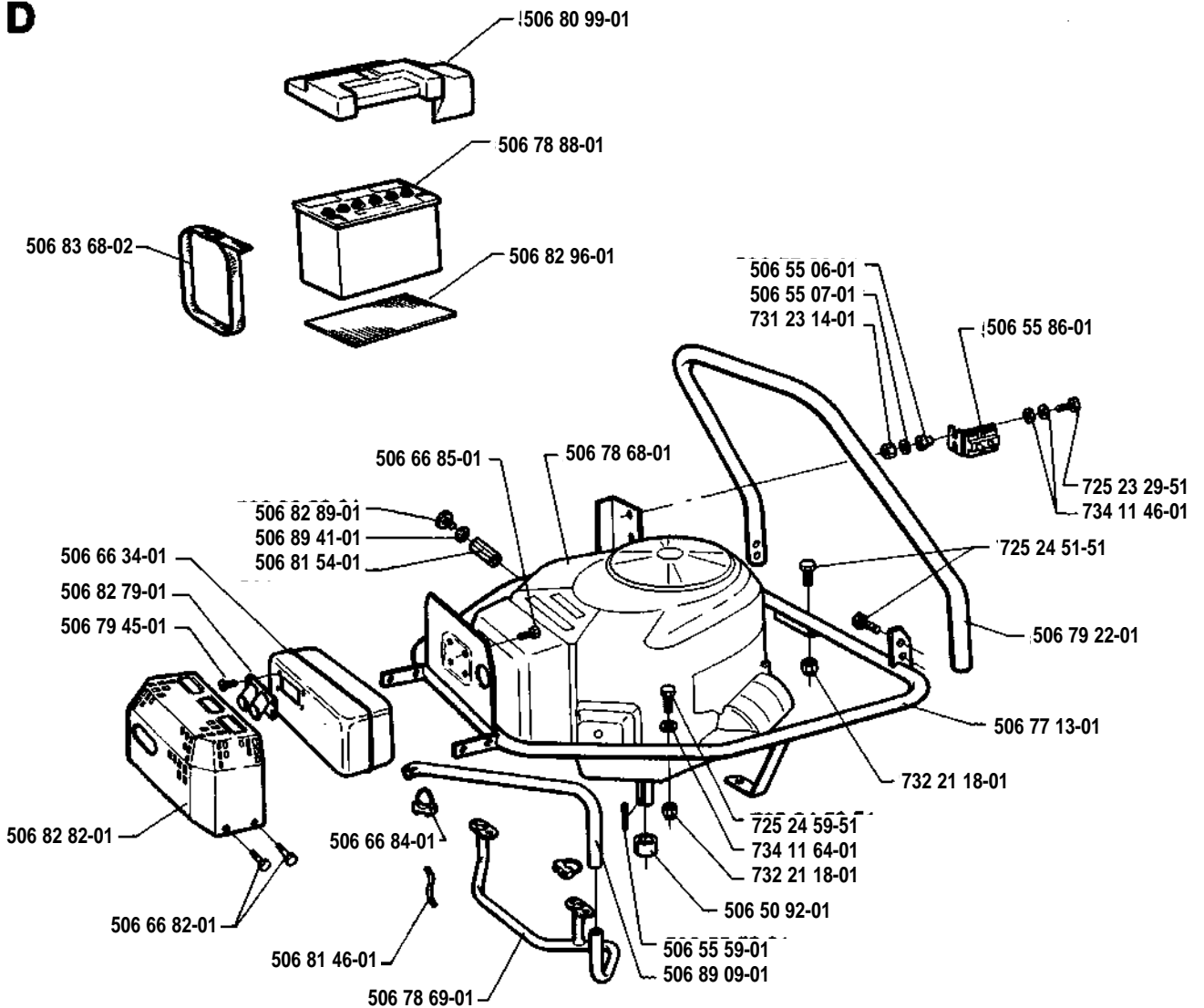
* compl 506 88 67-01
 ** compl 506 88 70-01



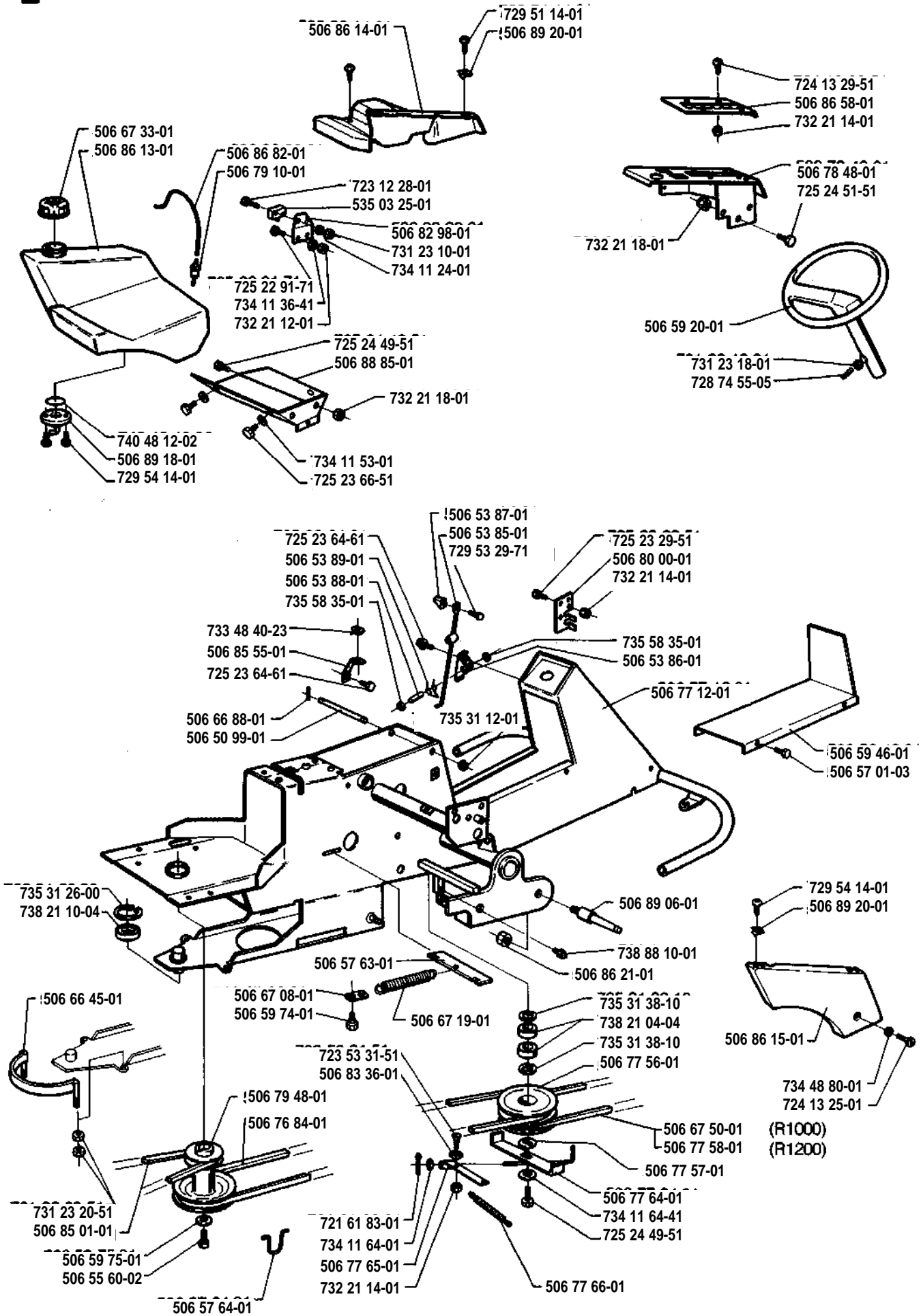
C



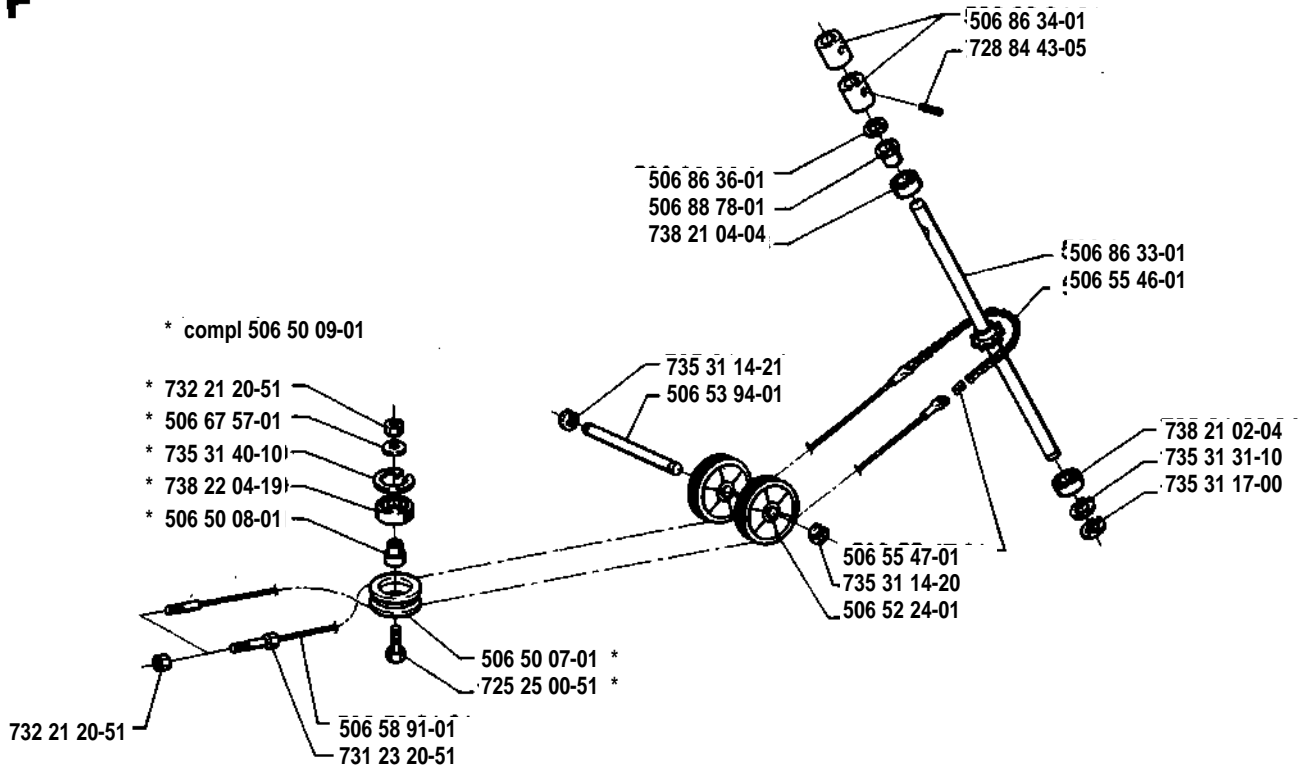
D



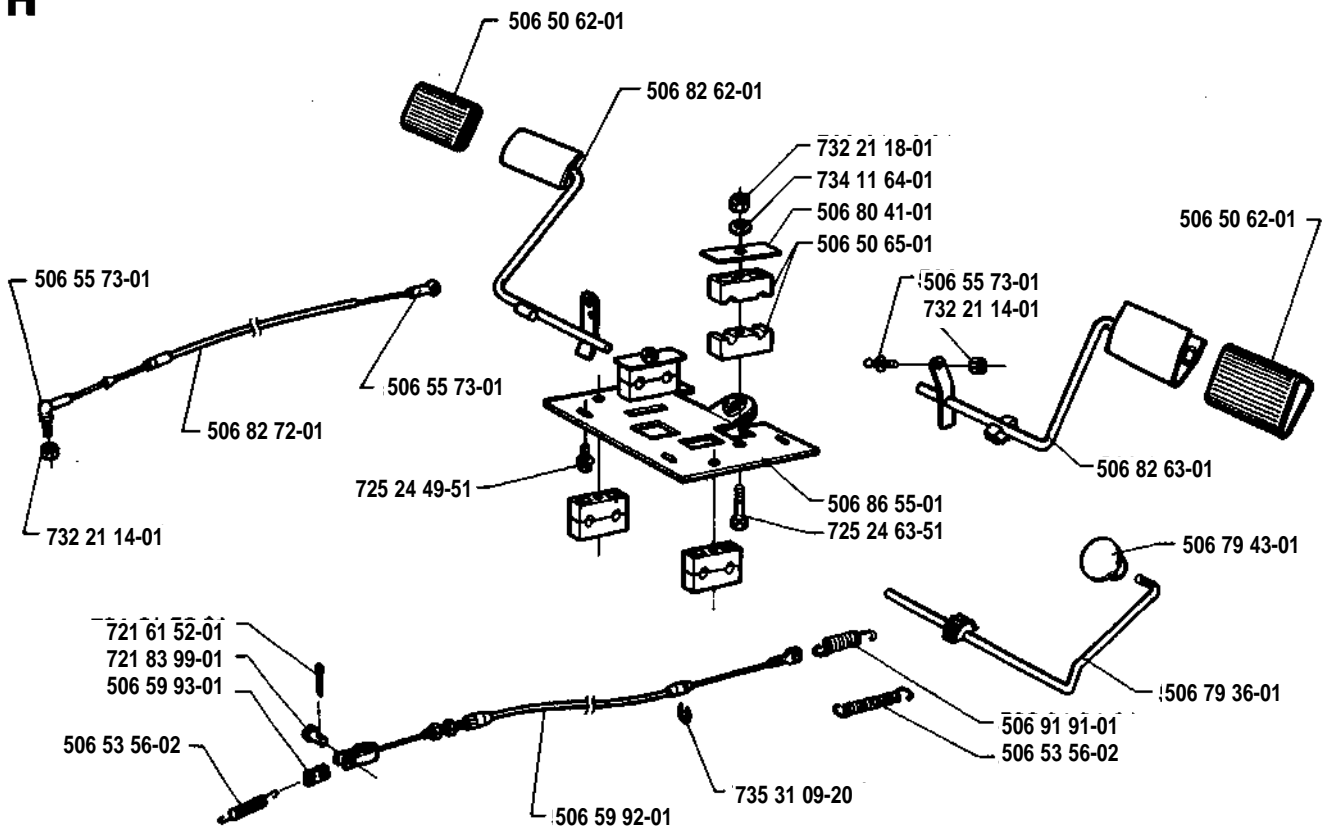
E



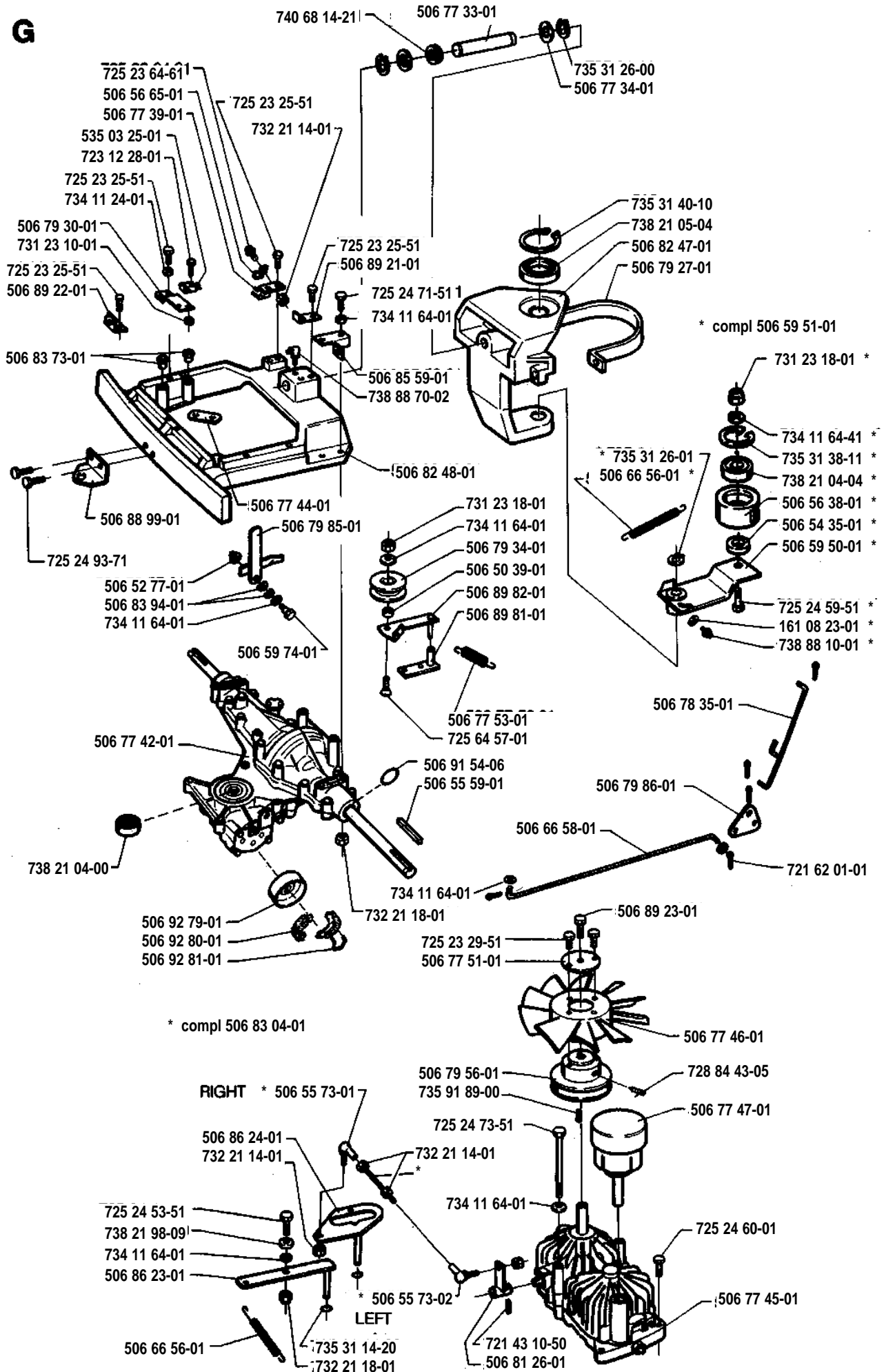
F



H



G

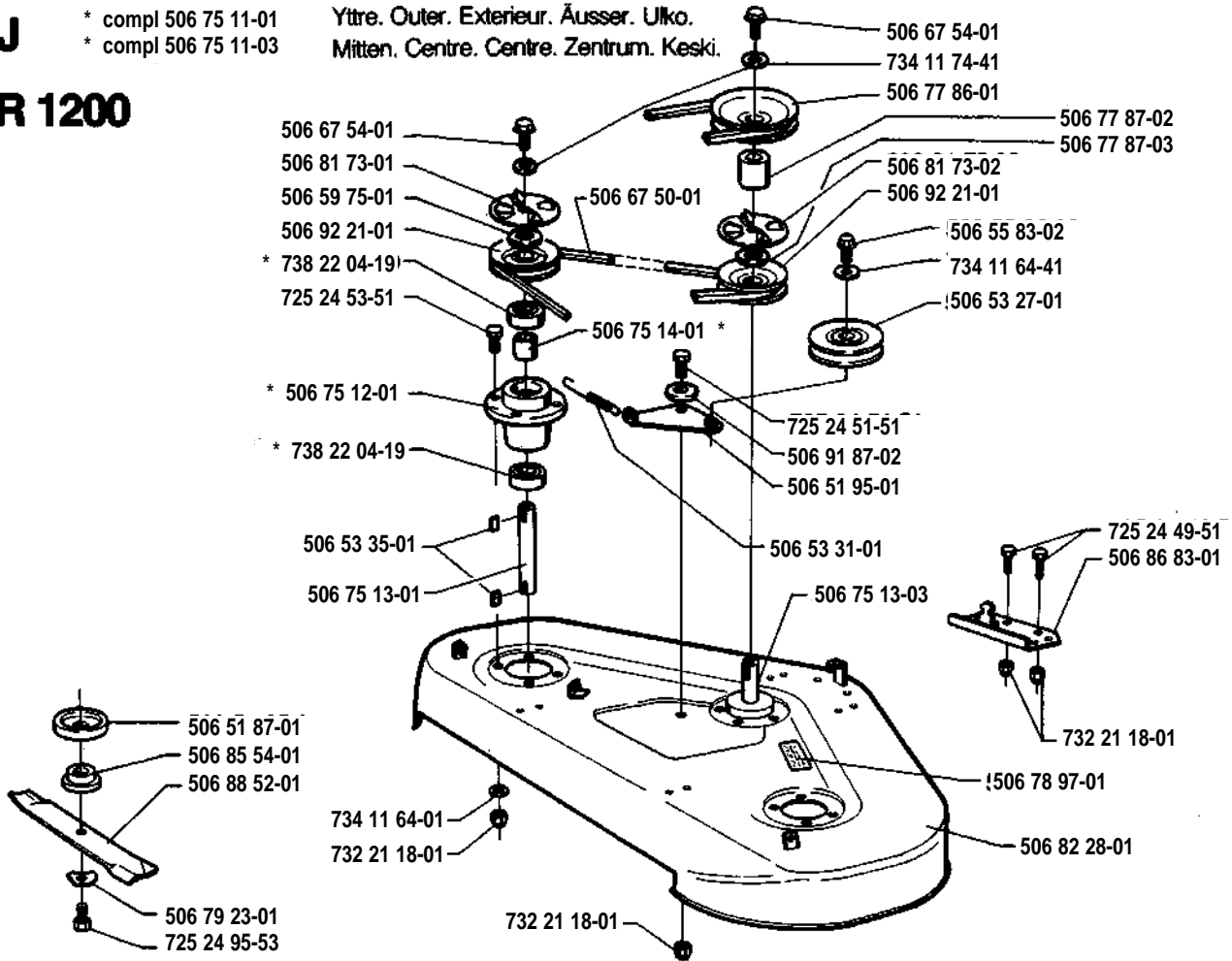


J

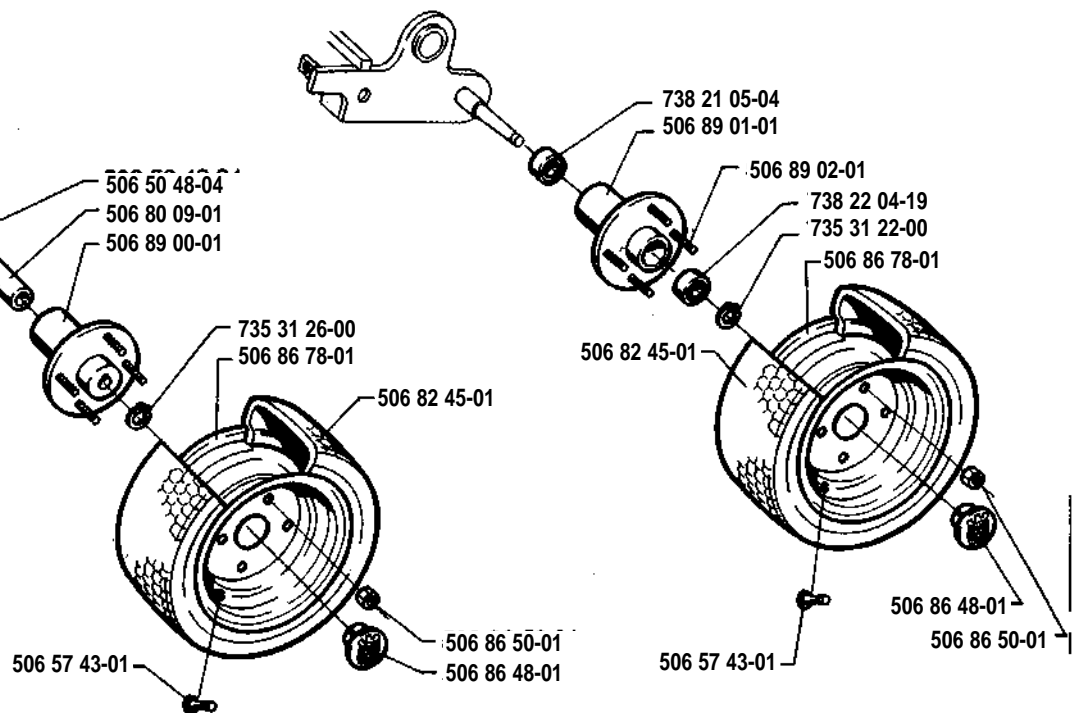
* compl 506 75 11-01
* compl 506 75 11-03

Yttre. Outer. Exterieur. Äusser. Ulko.
Mitten. Centre. Centre. Zentrum. Keski.

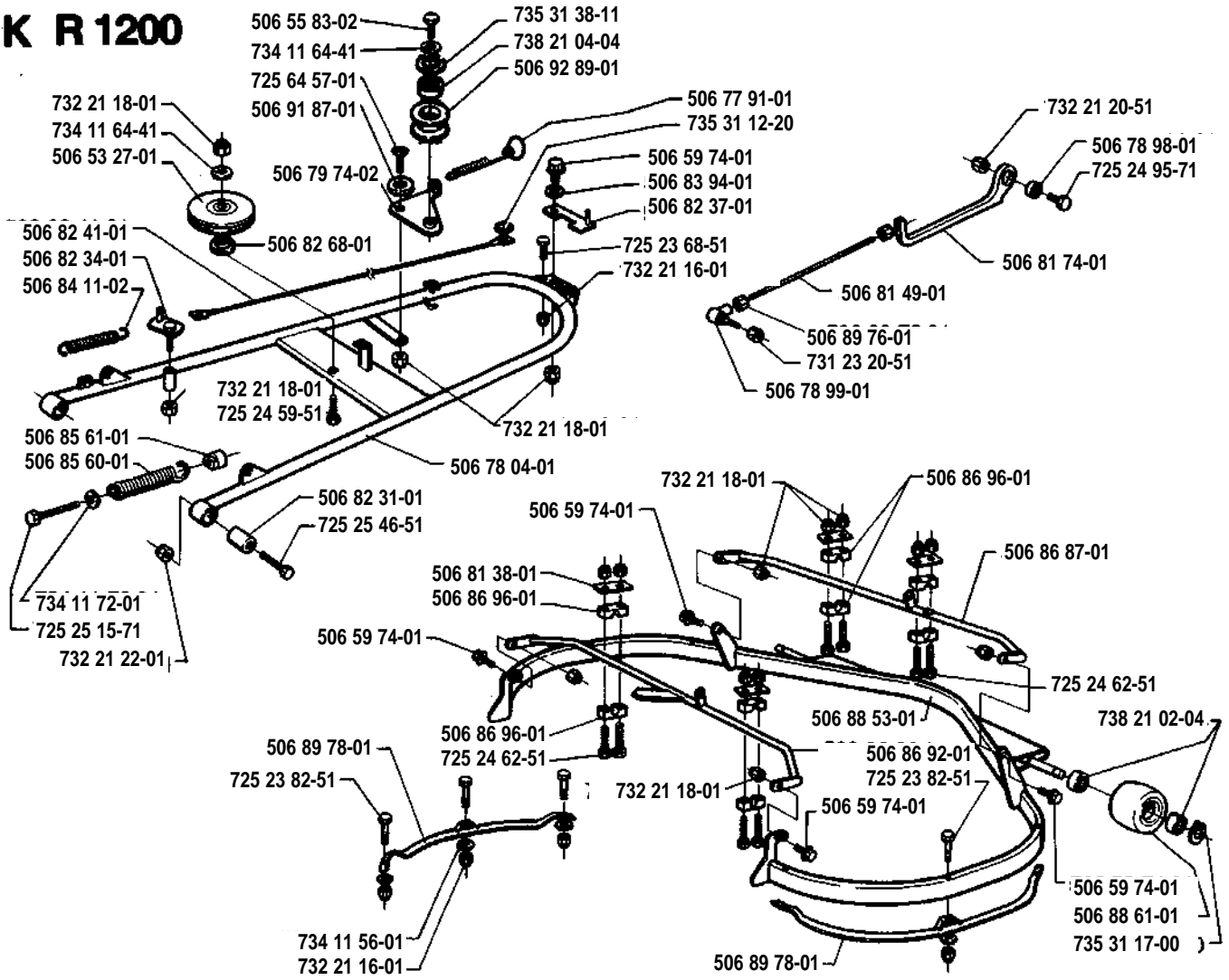
R 1200



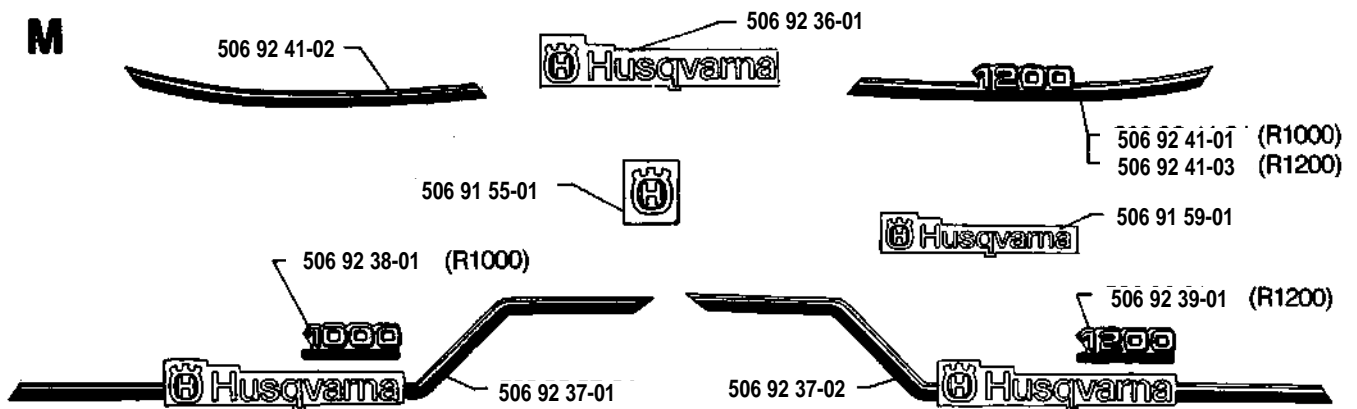
L



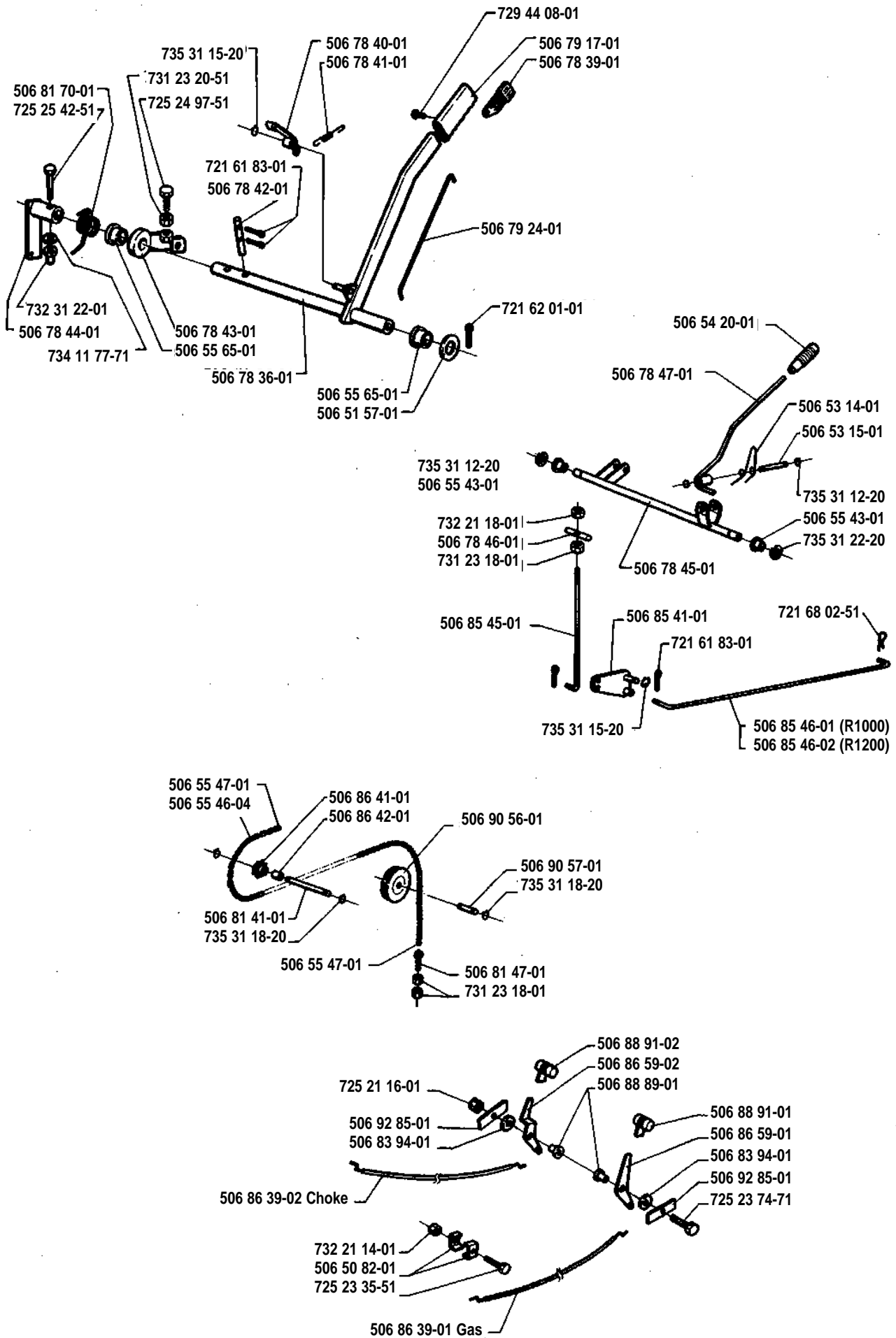
K R 1200



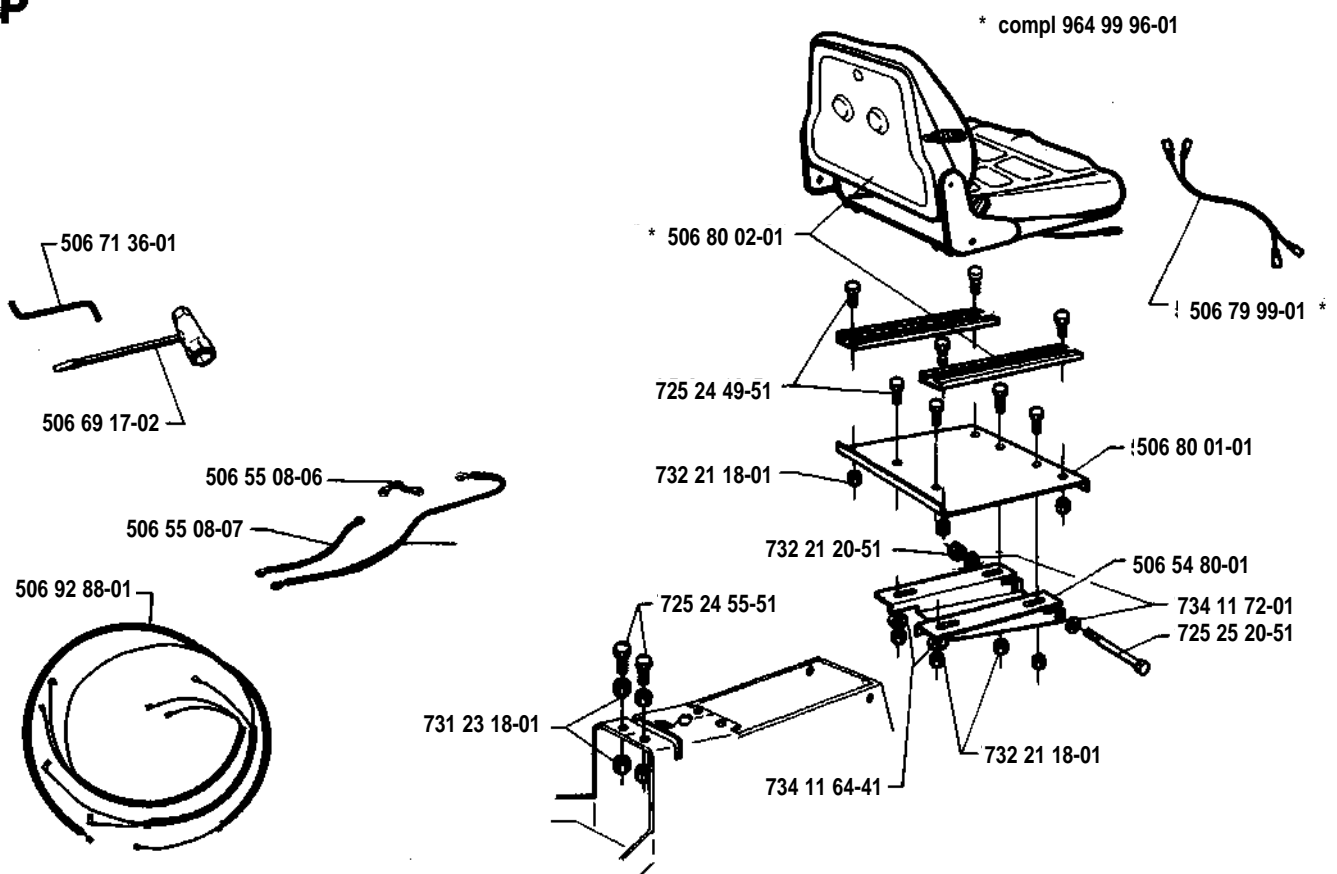
M



N



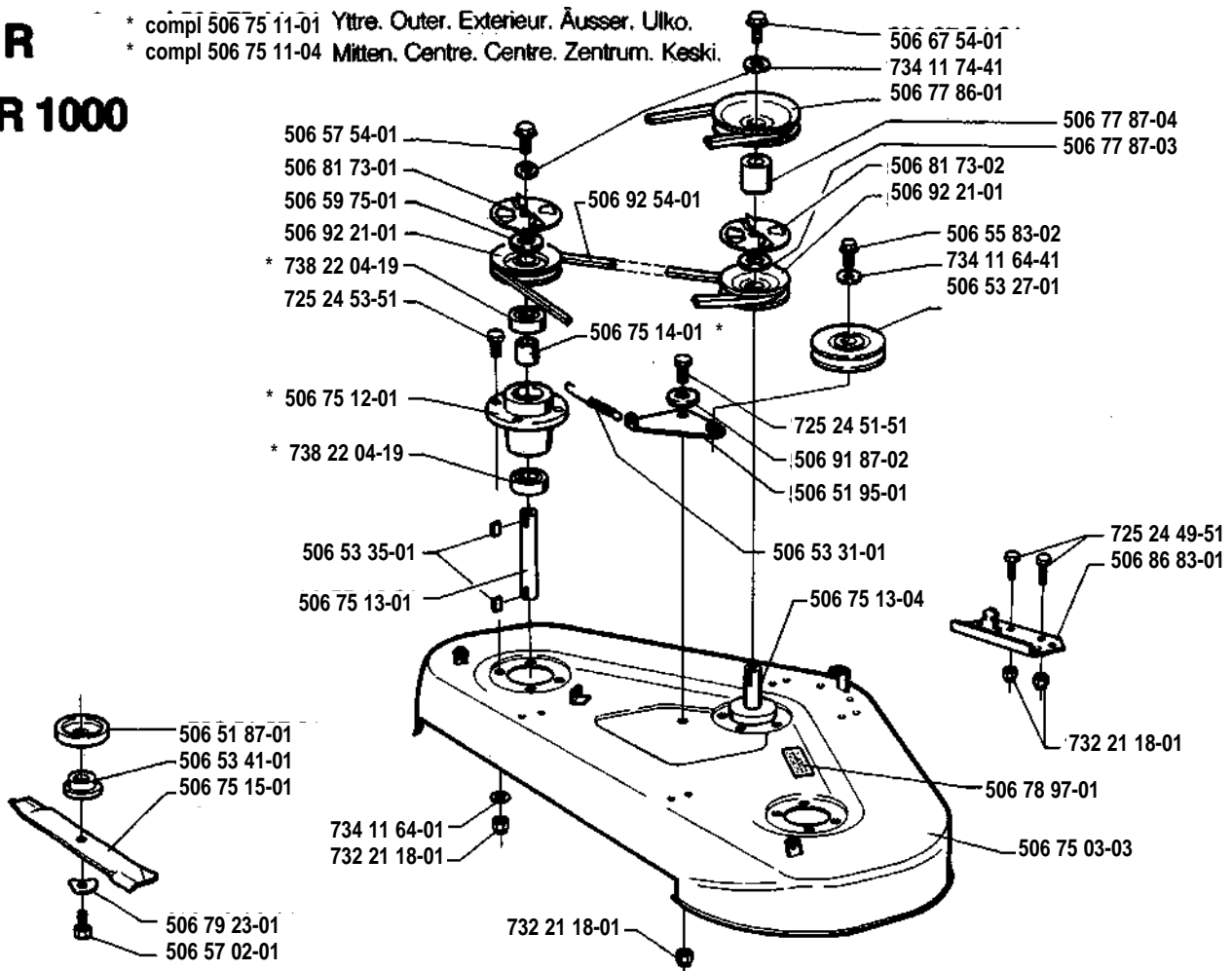
P

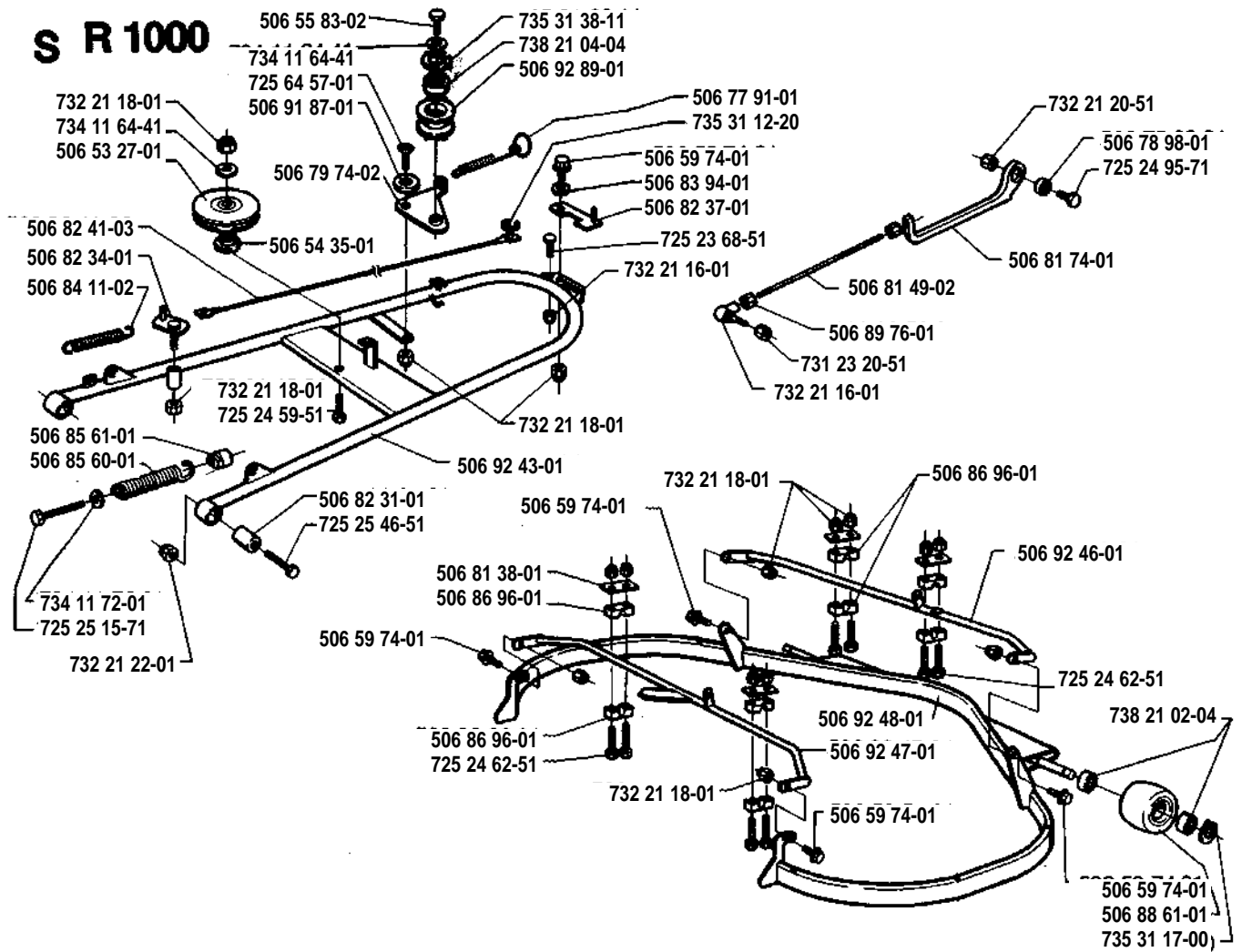


R

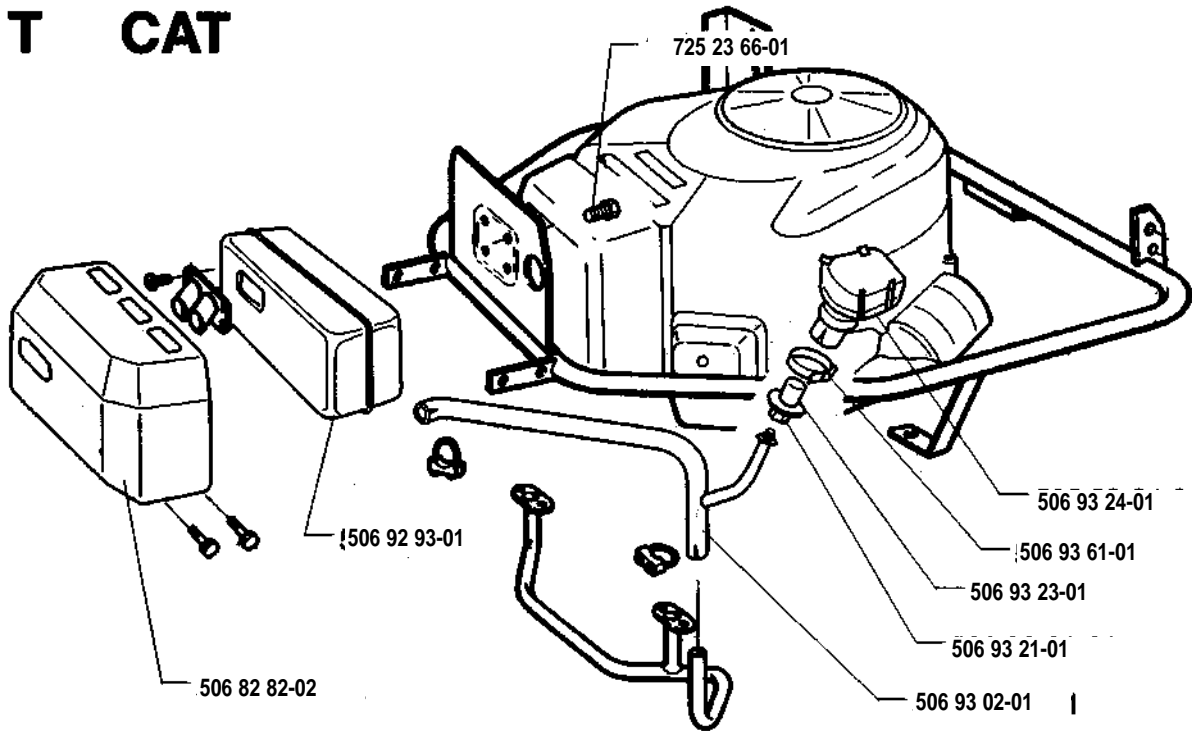
* compl 506 75 11-01 Yttre. Outer. Exterieur. Äusser. Ulko.
 * compl 506 75 11-04 Mitten. Centre. Centre. Zentrum. Keski.

R 1000





T CAT



* compl 506 93 24-01

