

For Husqvarna Parts Call 606-678-9623 or 606-561-4983

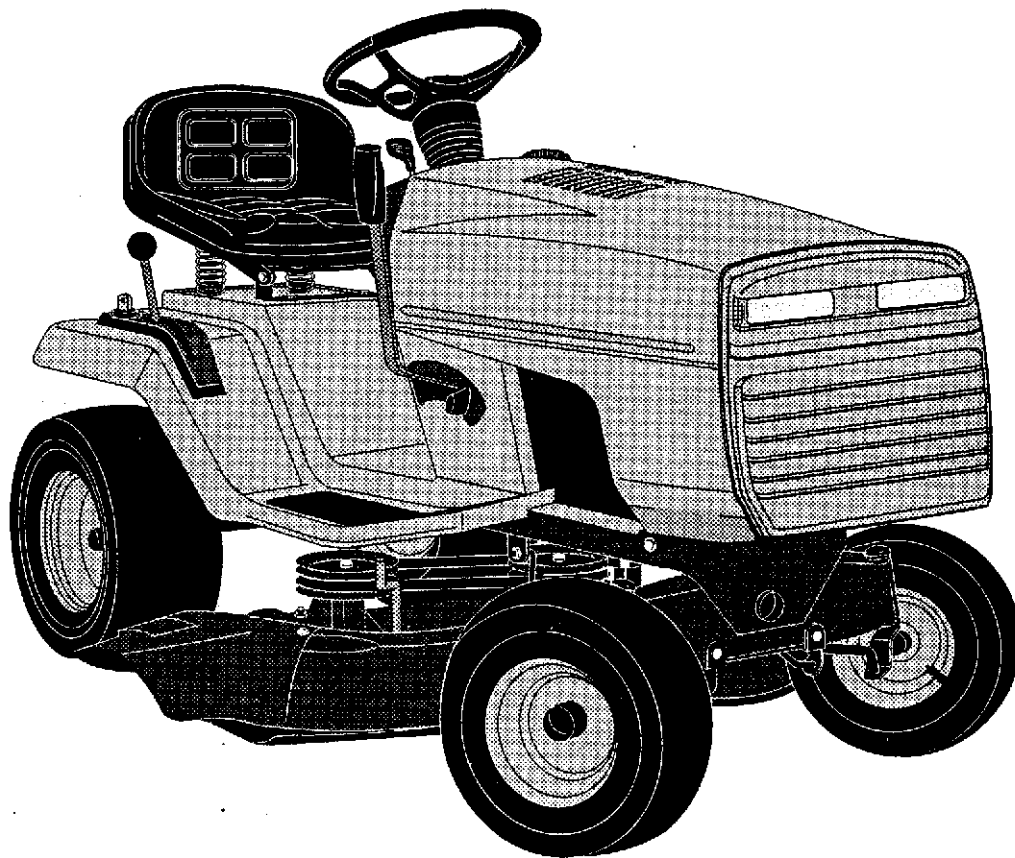
# REPAIR PARTS

IMPORTANT INFORMATION

DO NOT THROW AWAY

## LAWN TRACTOR

MODEL NUMBER - LR12 (HAR1236A) 954 00 07-52



[www.mymowerparts.com](http://www.mymowerparts.com)

## HOW TO USE THIS MANUAL

This manual is designed to provide the customer with a means to identify the parts on this product ordering repair parts. The illustrations may or may not represent the actual assemblies; therefore, it is not recommended to use this manual as a guide to assemble or disassemble the product. Some hardware and parts are drawn larger in order to more readily identify them.

Each lawn tractor has its own model number.

The model number for your lawn tractor can be found on the fender under the seat.

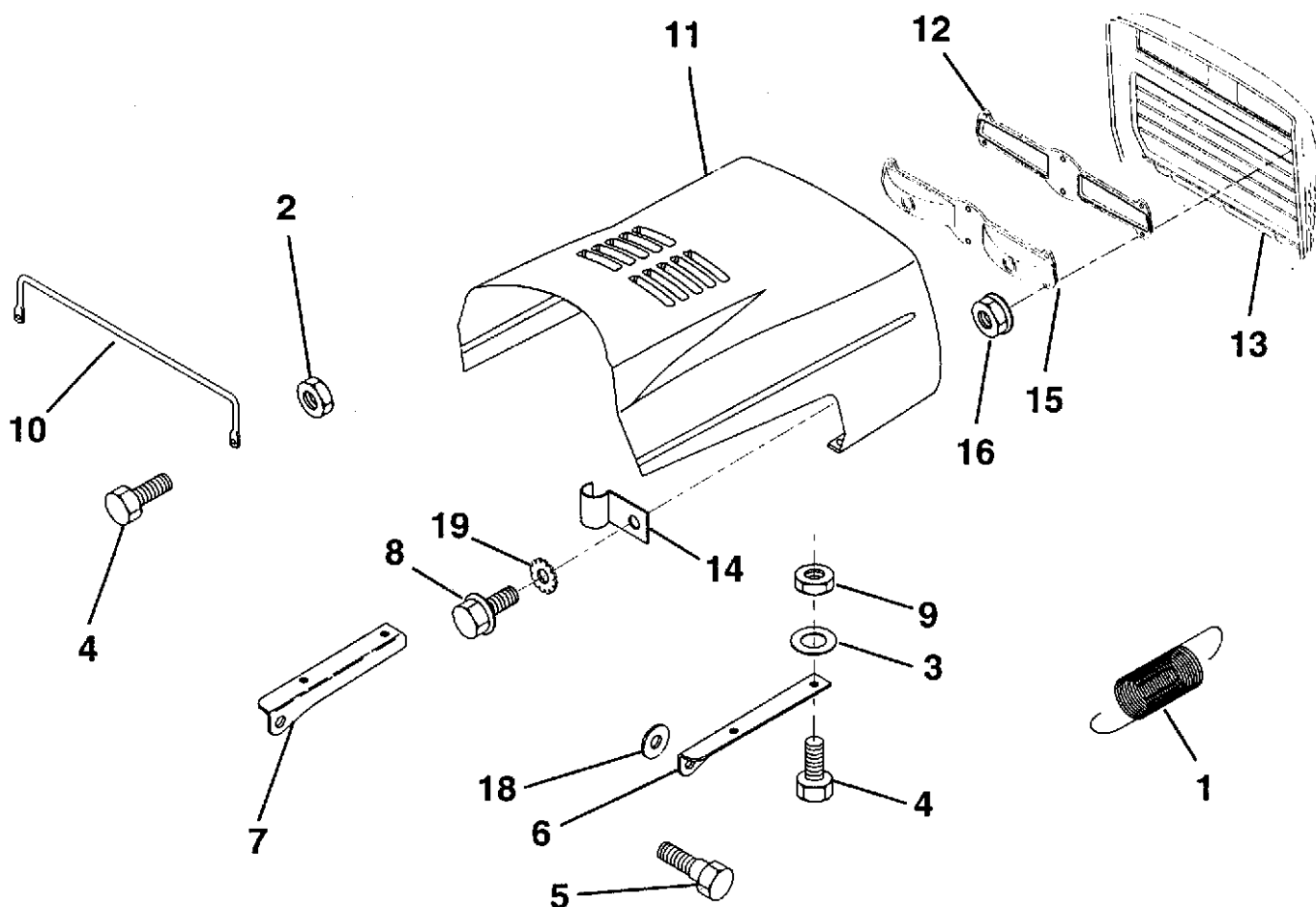
When ordering parts, always give the following information:

- Product – "Lawn Tractor"
- Model Number – "LR12 (HAR1236A)"
- Part Number
- Part Description

## TABLE OF CONTENTS

<b>BRAKE / REAR MOWER LIFT ASM .....</b>	<b>8</b>
<b>DASH .....</b>	<b>6</b>
<b>DECAL.....</b>	<b>15</b>
<b>ENGINE / THROTTLE .....</b>	<b>11</b>
<b>ELECTRICAL .....</b>	<b>18-19</b>
<b>FENDER / CHASSIS .....</b>	<b>4</b>
<b>FRONT AXLE .....</b>	<b>9</b>
<b>GROUND DRIVE .....</b>	<b>12</b>
<b>HOOD .....</b>	<b>3</b>
<b>MOWER LIFT LEVER .....</b>	<b>14</b>
<b>MOWER DECK .....</b>	<b>16-17</b>
<b>SEAT .....</b>	<b>5</b>
<b>SECTOR GEAR / AXLE SUPPORT .....</b>	<b>10</b>
<b>STEERING WHEEL .....</b>	<b>7</b>
<b>TRANSAXLE.....</b>	<b>13, 20-21</b>

For Husqvarna Parts Call 606-678-9623 or 606-561-4983  
**REPAIR PARTS**  
 12 HP 36" TRACTOR - MODEL NO. LR12 (HAR1236A), PRODUCT NO. 954 00 07-52  
**HOOD**



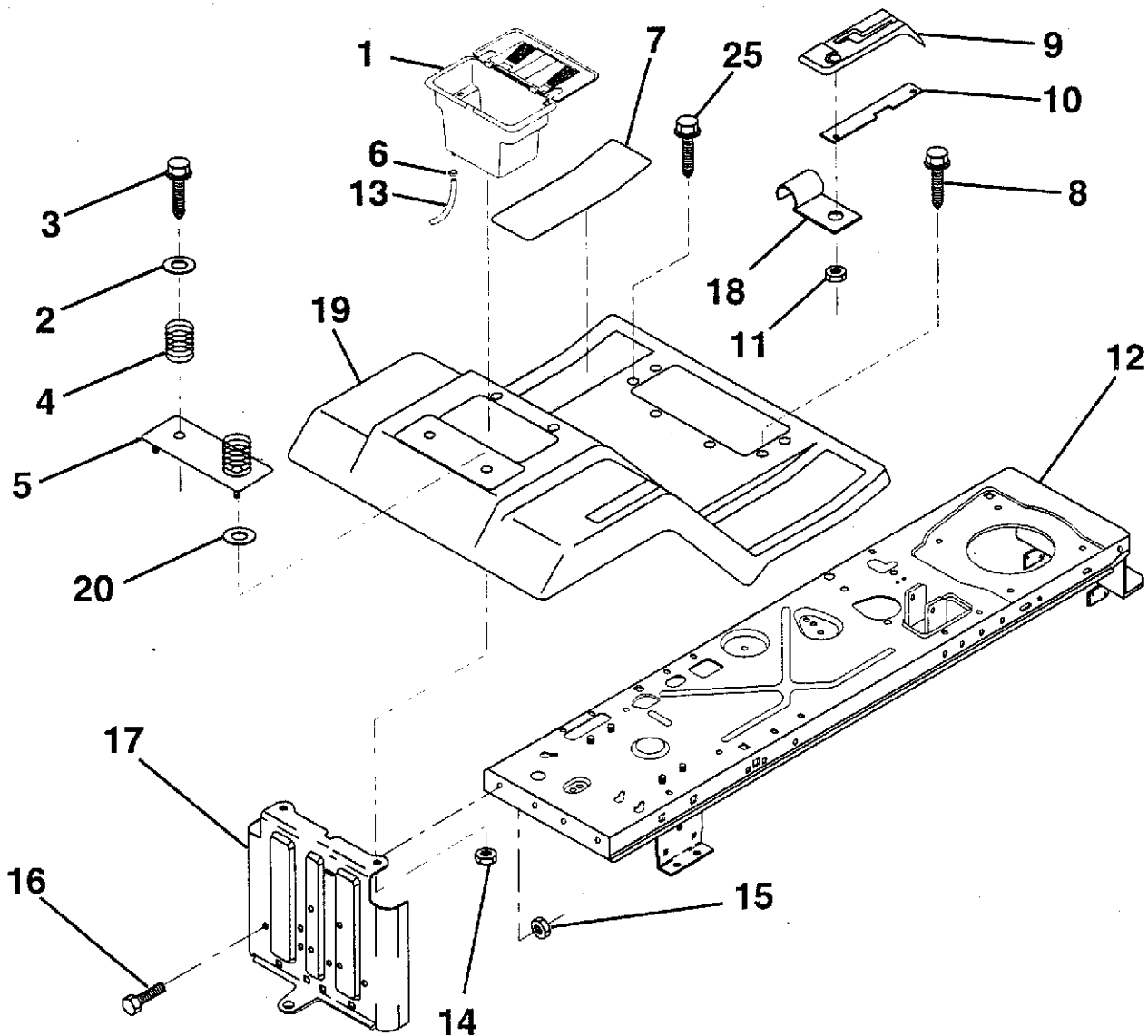
KEY NO.	PART NO.	DESCRIPTION	KEY NO.	PART NO.	DESCRIPTION
1	532124657	Extension, Spring	10	532123693	Brace, Hood
2	873510400	Nut, Hex, Keps 1/4-20	11	532140463	Hood
3	819091416	Washer, 9/32 x 7/8 x 16 Ga.	12	532127178	Lens Clear Bar Dual LR P/L
4	874780412	Bolt, Hex Fin 1/4-20 x 3/4 Gr. 5	13	532140464	Grill
5	532126675	Bolt, Shoulder	14	532124996	Clip Line Fuel
6	532122549	Bracket, Hood R. H.	15	532127177	Lightbox (Bezel)
7	532122548	Bracket, Hood L.H.	16	532124346	Nut Self-Thd. Wsh-Hd 1/4
8	817521310	Screw Sltd. Hex Hd W/PL Washer	18	819111116	Washer 11/32 x 11/16 x 16 Ga.
9	873800400	Nut Lock W/Insert 1/4-20 UNC	19	811030400	Washer Lock 1/4 Int/Ext Tooth

HARDWARE SHOWN LARGER FOR EASIER IDENTIFICATION

## REPAIR PARTS

12 HP 36" TRACTOR - MODEL NO. LR12 (HAR1236A), PRODUCT NO. 954 00 07-52

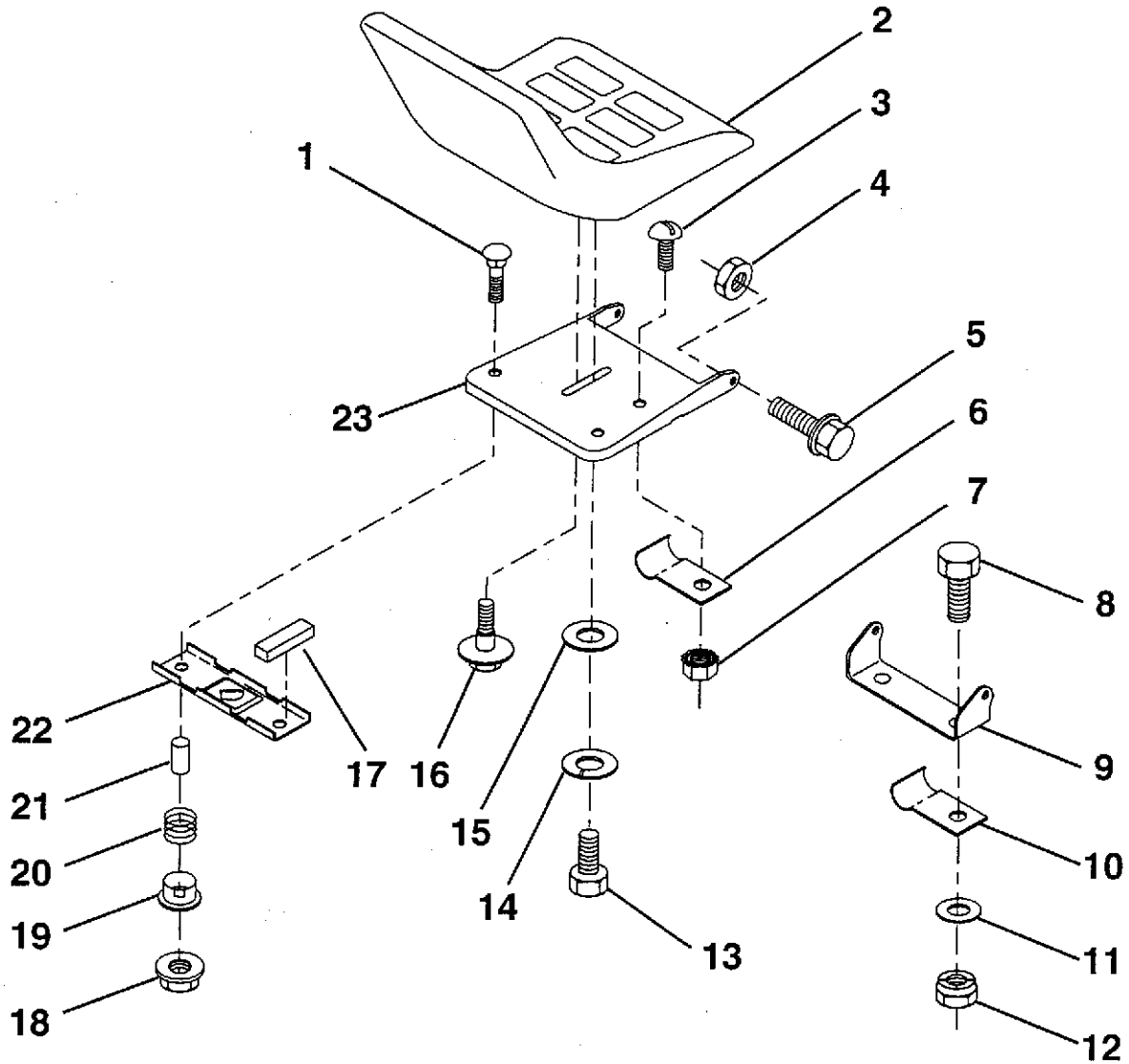
### FENDER / CHASSIS



KEY NO.	PART NO.	DESCRIPTION	KEY NO.	PART NO.	DESCRIPTION
1	532129965	Case, Battery	11	532124346	Nut, Self-Thrd., Wsh. Head 3/16
2	819132012	Washer 13/32 x 1-1/4 x 12 Ga.	12	532139893	Assembly, Frame
3	817490612	Screw, Hex Wsh. Thrdrol. 3/8-16 x 3/4	13	532109238	Tube, Battery Drain
4	532124181	Spring, Compression, Seat	14	873510400	Nut, Keps Hex 1/4-20 UNC
5	532125142	Plate, Asm. Battery	15	873680500	Nut, Crownlock 5/16-18
6	532109596	Clamp, Hose	16	874760512	Bolt, Hex Hd. 5/16-18 UNC x 3/4
7	532124144	Pad, Footrest	17	532127880	Drawbar
8	817490512	Screw, Hex Wsh. Thrdrol. 5/16-18 x 3/4	18	532126470	Clip, Insulated
9	532126993	Console, Shift Control	19	532125141	Fender/Footrest
10	532124307	Bar, Shift Lock	20	819091413	Washer 9/32 x 7/8 x 13 Ga.
			25	817490516	Screw Hex Washer Thd. Roll 5/16-18 x 1

HARDWARE SHOWN LARGER FOR EASIER IDENTIFICATION

**REPAIR PARTS**  
**12 HP 36" TRACTOR - MODEL NO. LR12 (HAR1236A), PRODUCT NO. 954 00 07-52**  
**SEAT**



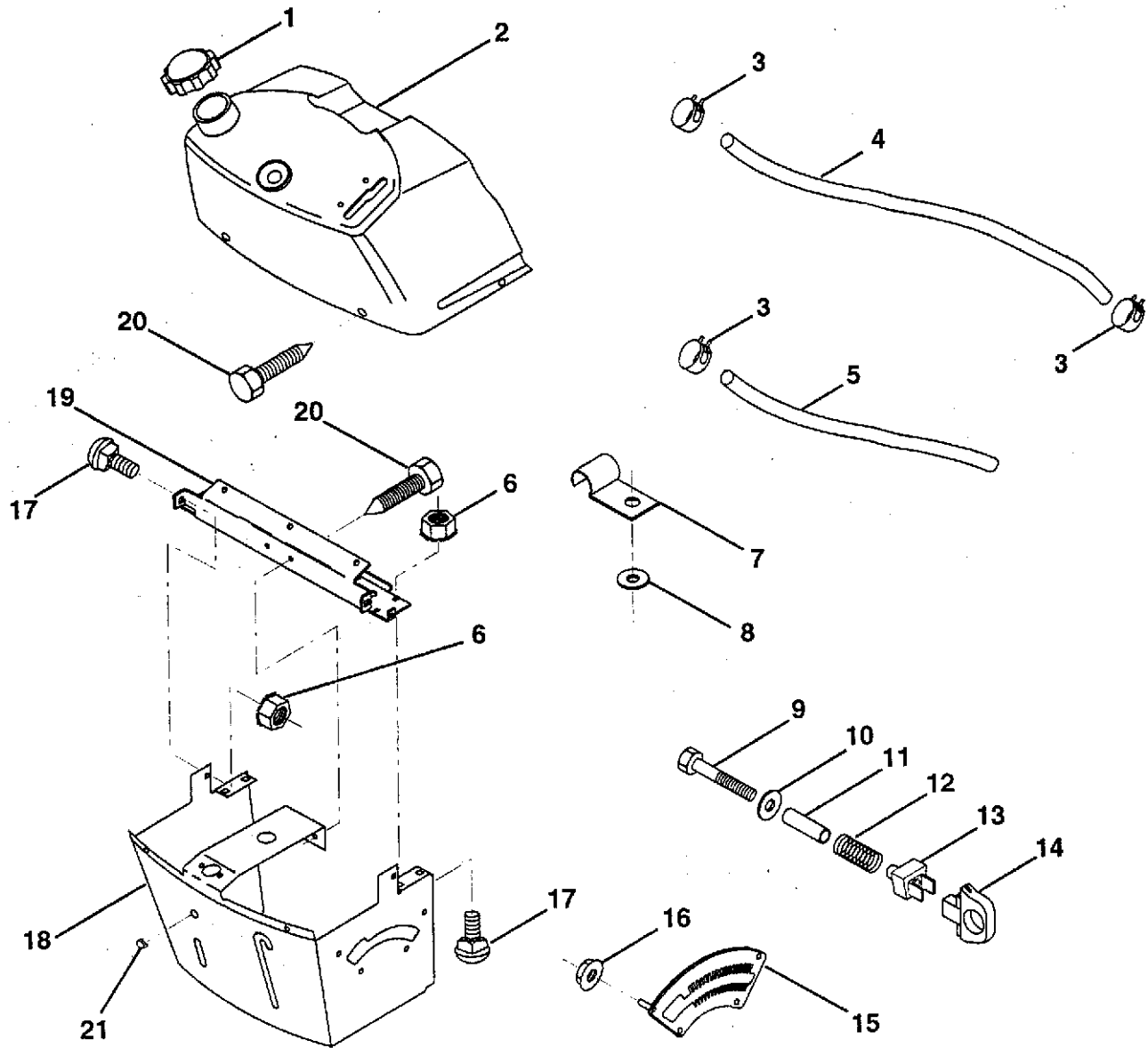
KEY NO.	PART NO.	DESCRIPTION	KEY NO.	PART NO.	DESCRIPTION
1	872050411	Bolt, Carriage 1/4-20 x 1-3/8	13	874780814	Bolt, Hex, Fin. 1/2-13 UNC x 7/8 Grade 5
2	532127398	Seat	14	810040800	Washer, Lock, Heavy Helical Spring
3	874641008	Screw, Slotted Pan Head #10-32 x 1/2	15	819171912	Washer 17/32 x 1-3/16 x 12 Ga.
4	873680500	Nut, Crownlock 5/16-18	16	532127018	Bolt, Shoulder
5	532139888	Bolt, Shoulder 5/16-18 UNC	17	532121251	Strip, Foam
6	532124967	Clip, Insulated	18	532123976	Nut, Hex, Large, Flangelock
7	873951000	Nut, Hex, Keps #10-32 UNF	19	532121248	Bushing, Snap
8	874760612	Bolt, Hex, Fin. 3/8-16 UNC x 3/4	20	532121250	Spring, Compression
9	532126656	Bracket, Pivot, Seat	21	532134300	Spacer, Split
10	532126471	Clip, Insulated	22	532121246	Bracket, Switch Mounting
11	819133210	Washer 12/32 x 2 x 10 Gauge	23	532131451	Pan, Seat
12	873680600	Nut, Crownlock 3/8-16 UNC			

HARDWARE SHOWN LARGER FOR EASIER IDENTIFICATION

# REPAIR PARTS

12 HP 36" TRACTOR - MODEL NO. LR12 (HAR1236A), PRODUCT NO. 954 00 07-52

DASH



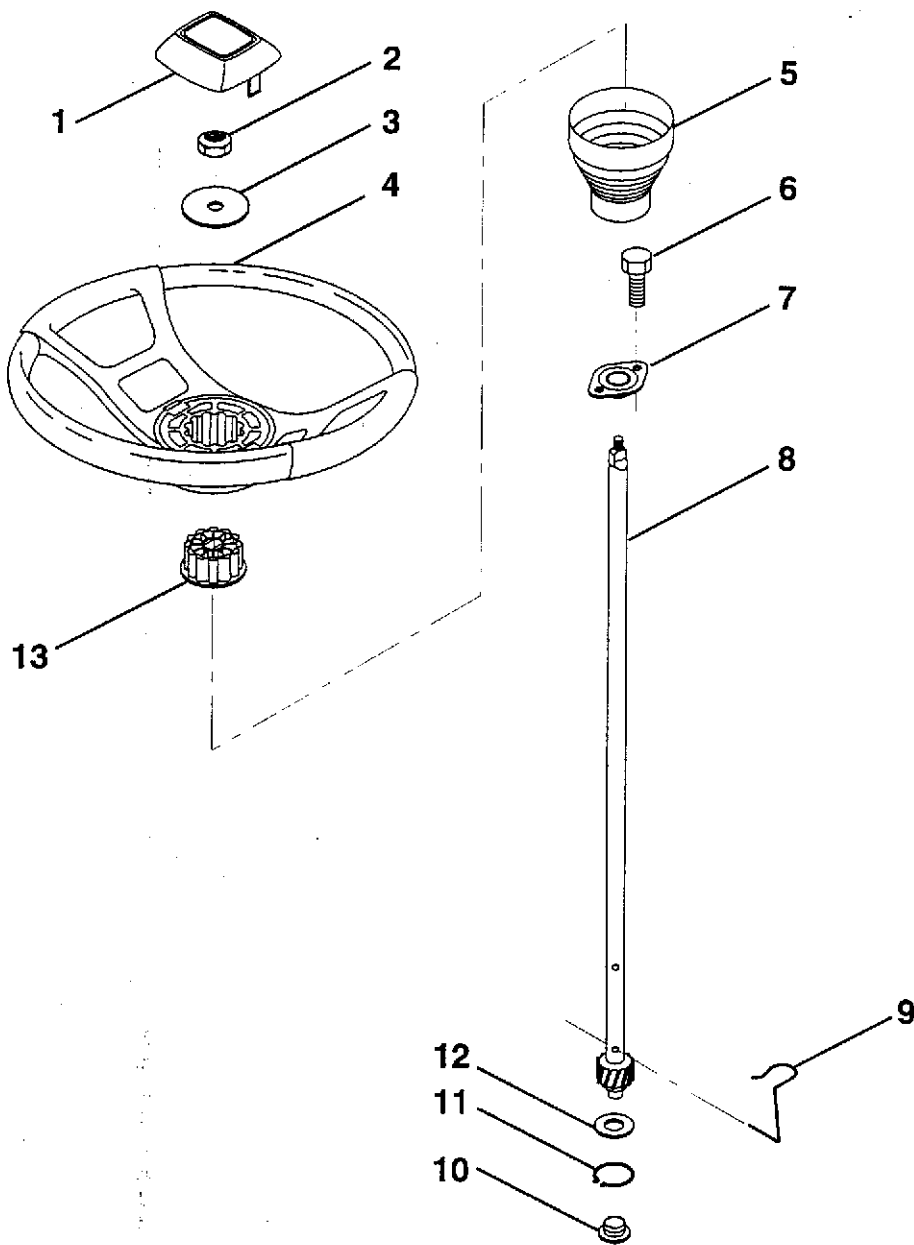
KEY NO.	PART NO.	DESCRIPTION	KEY NO.	PART NO.	DESCRIPTION
1	532132735	Cap, Fuel	12	532003720	Spring
2	532138395	Assembly, Dash & Fuel Tank	13	532126450	Clip, Height Adjustment
3	532123487	Clamp, Hose	14	532126115	Knob, Height Stop
4	532008544	Line, Fuel	15	532122023	Adjustment, Quadrant Height
5	532008548	Line, Fuel	16	532124346	Nut, Self-Threading 3/16-18
6	873510400	Nut, Hex, Keps 1/4-20	17	872110404	Bolt, Carriage 1/4-20 x 1/2 Gr. 5
7	532124996	Clip, Fuel Line	18	532130745	Support Assembly, Dash
8	819091216	Washer 9/32 x 3/4 x 16 Gauge	19	532134744	Brace, Cross
9	874760428	Bolt, Hex, Fin. 1/4-20 x 1-3/4	20	817060408	Screw, Self-Tapping 1/4-20 x 1/2
10	819091413	Washer 11/32 x 11/16 x 16 Ga.	21	532134014	Plug, Dome, Black
11	532121249	Spacer, Split			

HARDWARE SHOWN LARGER FOR EASIER IDENTIFICATION

# REPAIR PARTS

12 HP 36" TRACTOR - MODEL NO. LR12 (HAR1236A), PRODUCT NO. 954 00 07-52

## STEERING WHEEL



KEY NO.	PART NO.	DESCRIPTION
1	532124416	Insert, Steering Wheel
2	532124701	Locknut 3/8-24 UNF
3	819133808	Washer 12/32 x 2-3/8 x 8 Gauge
4	532124415	Steering Wheel
5	532127396	Sleeve, Steering
6	817431008	Screw, Hex #10-16 x 1/2 TY-B
7	532102803	Bushing, Steering

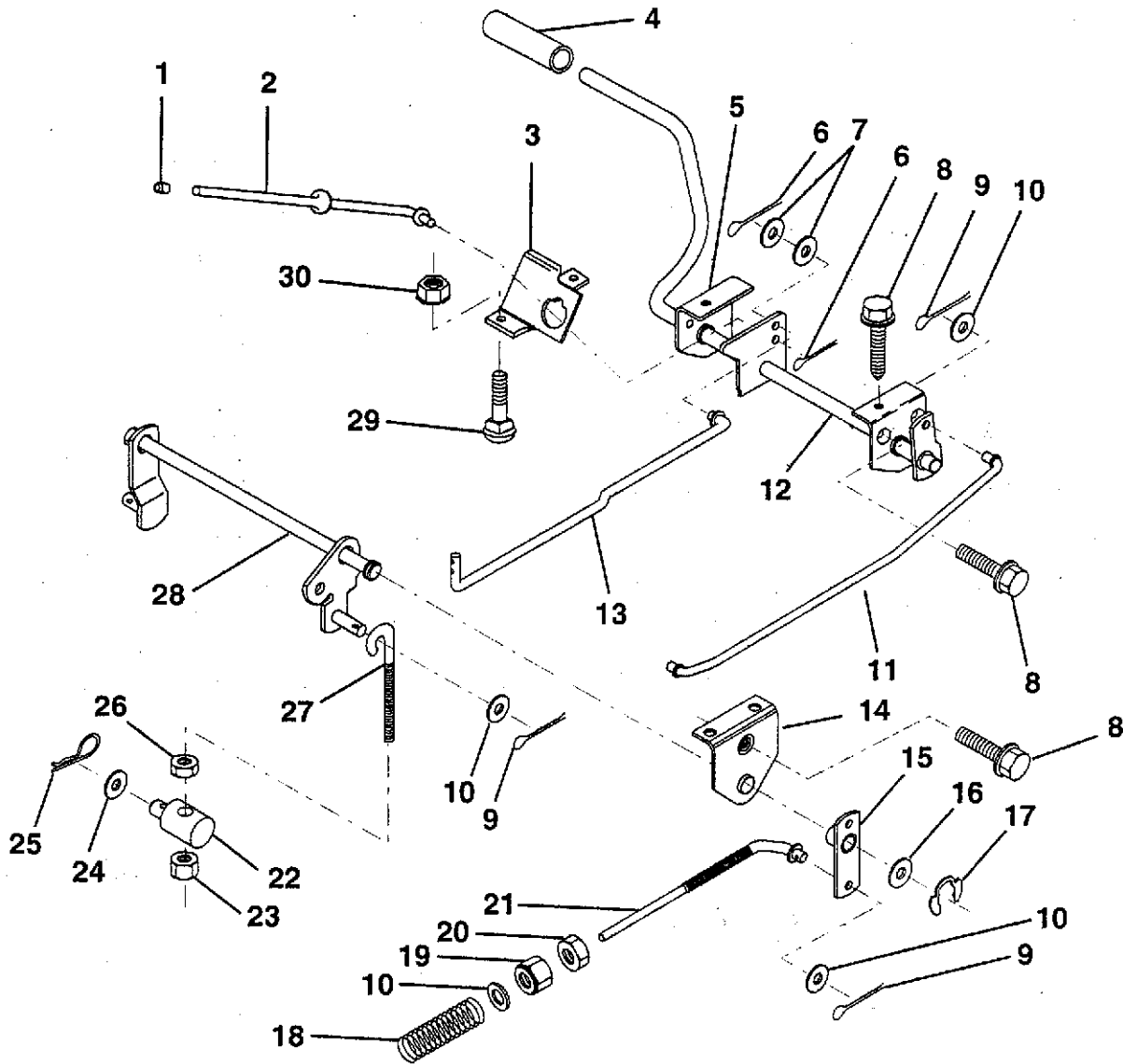
KEY NO.	PART NO.	DESCRIPTION
8	532123651	Shaft, Steering
9	532124210	Clip, Steering
10	532123438	Bushing, Lower, Steering
11	812000045	Ring, Retaining
12	819211616	Washer 21/32 x 1 x 16 Gauge
13	532104820	Adaptor, Steering Wheel

HARDWARE SHOWN LARGER FOR EASIER IDENTIFICATION

# REPAIR PARTS

12 HP 36" TRACTOR - MODEL NO. LR12 (HAR1236A), PRODUCT NO. 954 00 07-52

## BRAKE / REAR MOWER LIFT ASSEMBLY



KEY NO.	PART NO.	DESCRIPTION	KEY NO.	PART NO.	DESCRIPTION
1	532071673	Cap, Plunger	16	819251816	Washer 25/32 x 1-1/8 x 16 Ga.
2	532123436	Rod, Parking Brake	17	812000034	Ring, Klip
3	532123437	Bracket, Parking Brake	18	532106888	Spring, Brake Rod
4	532008156	Cover, Pedal	19	873680600	Nut, Crownlock 3/8-16
5	532122504	Bracket, Clutch/Brake Pedal, L.H.	20	873350600	Nut, Hex, Jam 3/8-16 UNC
6	876020312	Pin, Cotter 3/32 x 3/4	21	532131460	Rod, Rear, Brake
7	819131016	Washer 13/32 x 5/8 x 16 Gauge	22	532127378	Trunnion, Lift
8	817490508	Screw, Hex Head, Thd., Roll. 5/16-18 x 1/2	23	873680600	Nut, Crownlock 3/8-16 UNC
9	876020412	Pin, Cotter 1/8 x 3/4	24	819132012	Washer 13/32 x 1-1/4 x 12 Ga.
10	819131316	Washer 13/32 x 13/16 x 16 Ga.	25	532124961	Spring, Retainer
11	532123543	Rod, Brake Front	26	873930600	Nut, Centerlock 3/8-16 UNC
12	532139933	Assembly, Clutch/Brake Pedal	27	532127369	Link, Threaded
13	532123394	Rod, Clutch	28	532127358	Assembly, Rear Mower Lift
14	532121978	Bracket, Lift, Shaft	29	872110506	Bolt, Carriage 5/16-18 UNC x 3/4
15	532123641	Assembly, Brake, Pivot, Arm	30	873510500	Nut, Hex, Keps 5/16-16 UNC

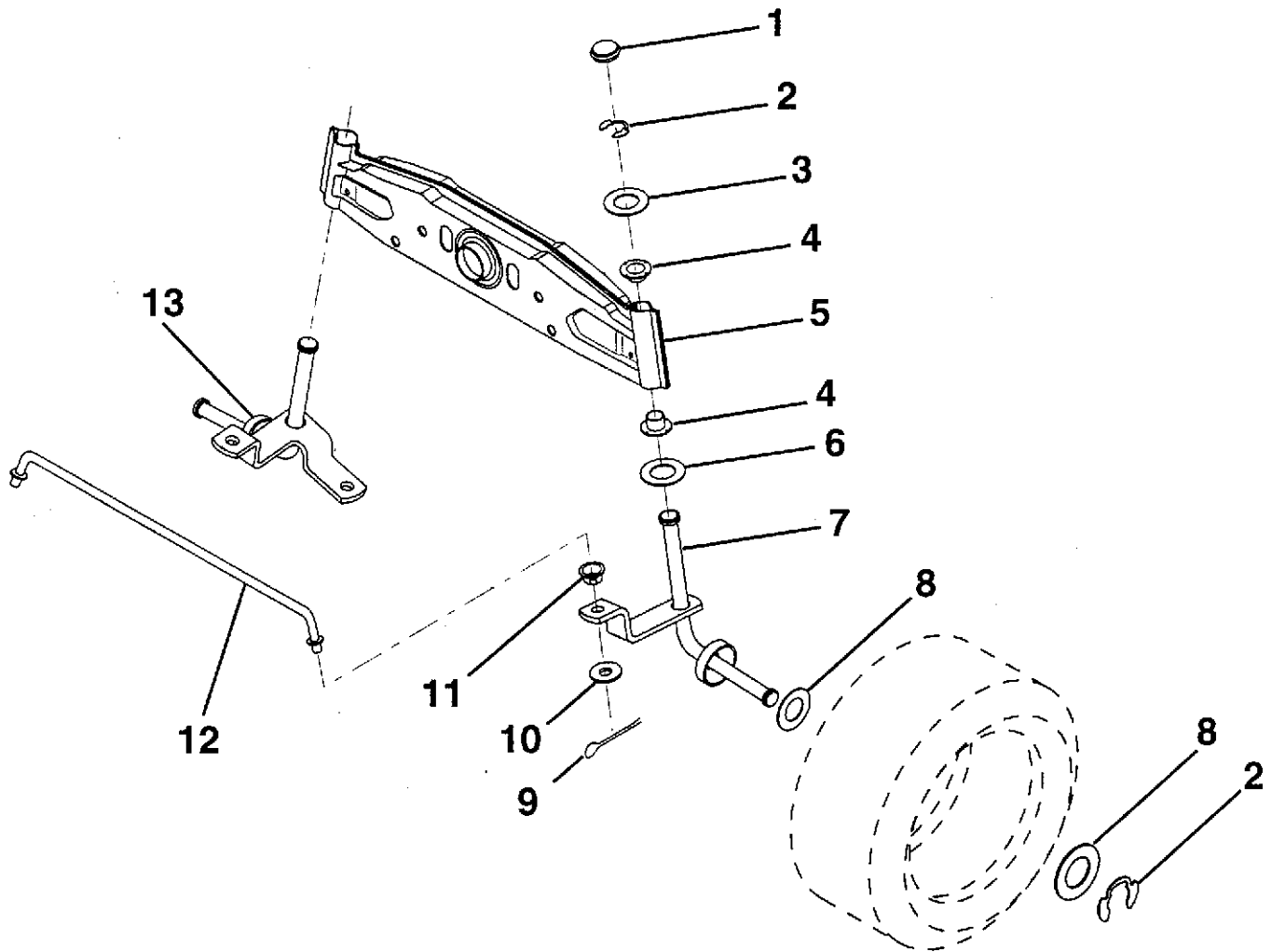
HARDWARE SHOWN LARGER FOR EASIER IDENTIFICATION



# REPAIR PARTS

12 HP 36" TRACTOR - MODEL NO. LR12 (HAR1236A), PRODUCT NO. 954 00 07-52

## FRONT AXLE

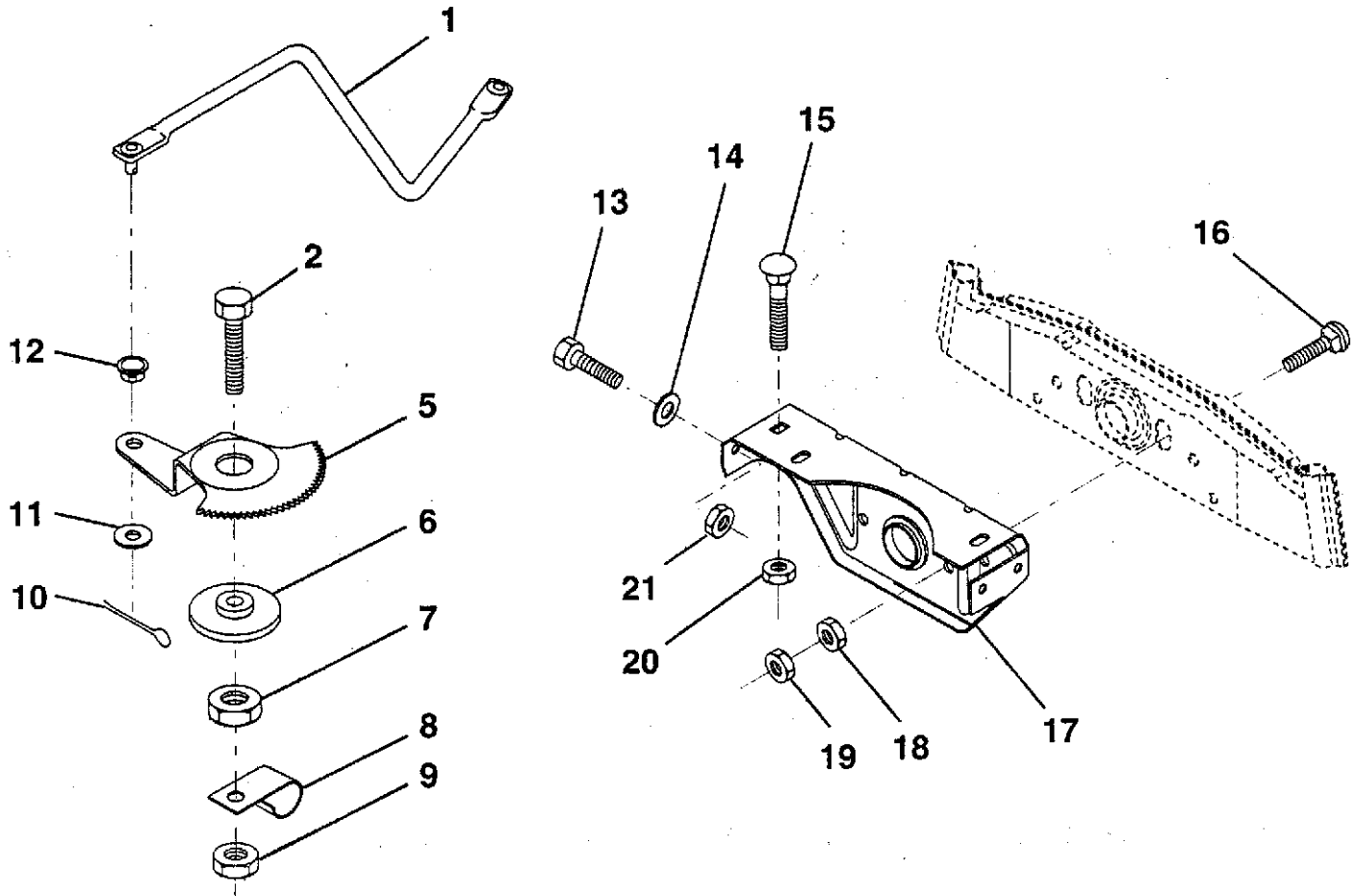


KEY NO.	PART NO.	DESCRIPTION	KEY NO.	PART NO.	DESCRIPTION
1	532121232	Cap, Spindle	8	532121749	Washer 25/32 x 1-1/4 x 16 Ga.
2	812000029	Ring, Clip	9	876020412	Pin, Cotter 1/8 x 3/4
3	532121748	Washer 25/32 x 1-5/8 x 16 Ga.	10	819131316	Washer 13/32 x 13/16 x 16 Ga.
4	532121922	Nyliner	11	532126847	Bushing
5	532121914	Axle, Front	12	532121924	Rod, Tie
6	532124931	Bearing, Thrust	13	532121916	Spindle Assembly, L.H.
7	532121919	Spindle Assembly, R.H.			

HARDWARE SHOWN LARGER FOR EASIER IDENTIFICATION

## REPAIR PARTS

12 HP 36" TRACTOR - MODEL NO. LR12 (HAR1236A), PRODUCT NO. 954 00 07-52  
SECTOR GEAR / AXLE SUPPORT

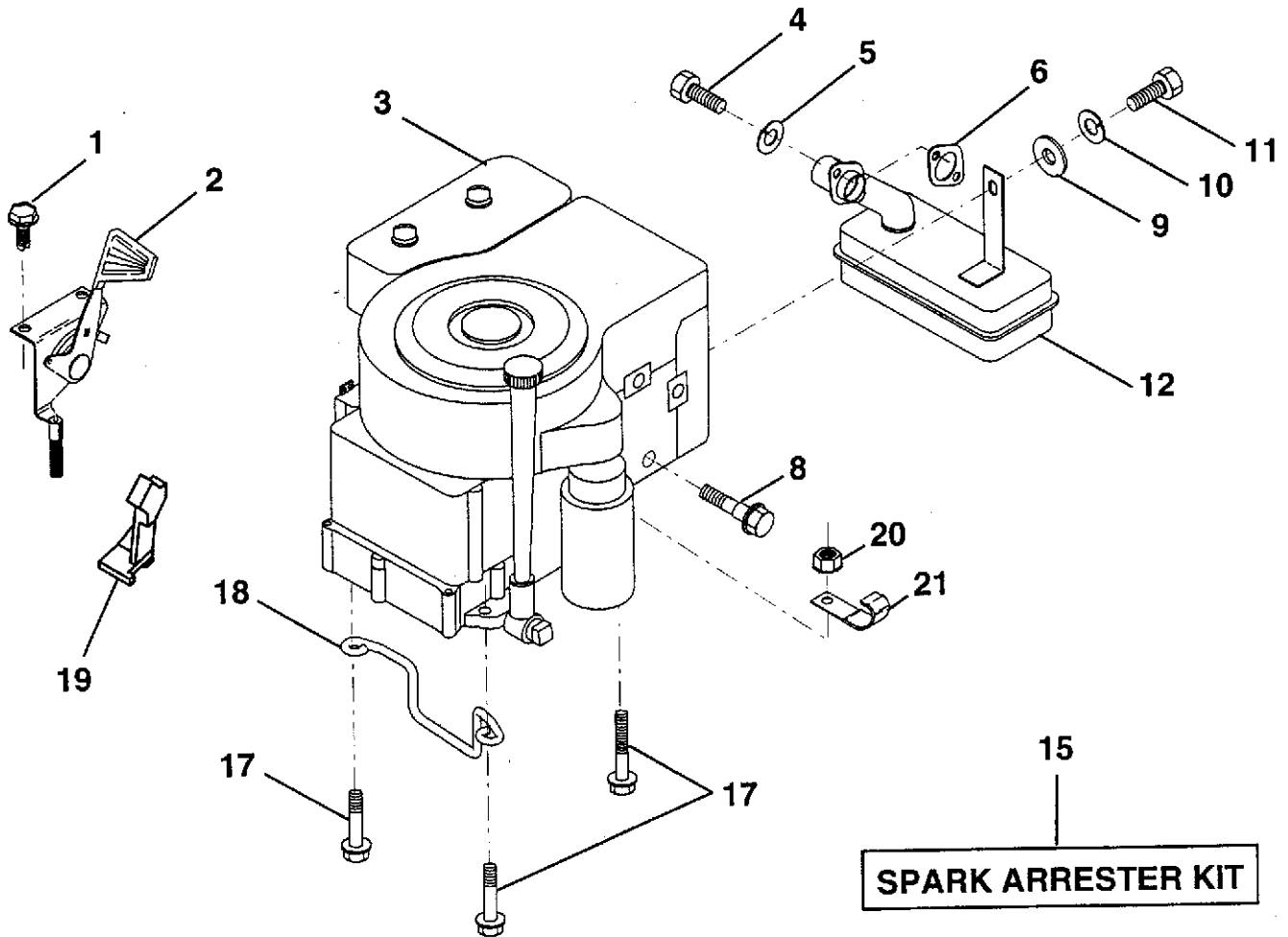


KEY NO.	PART NO.	DESCRIPTION
1	532132566	Link, Drag
2	874780828	Bolt, Hex, Fin. 1/2-13 x 1-3/4
5	532121926	Gear, Sector
6	532121927	Bushing
7	873030800	Nut, Heavy Hex, Top Lock 1/2-13 UNC
8	532126472	Clip, Insulated
9	873680800	Nut, Crownlock 3/8-16
10	876020412	Pin, Cotter 1/8 x 3/4
11	819131316	Washer 13/32 x 13/16 x 16 Ga.

KEY NO.	PART NO.	DESCRIPTION
12	532126847	Bushing
13	874760512	Bolt, Hex Head 5/16-18 UNC x 3/4
14	819111416	Washer 11/32 x 7/8 x 16 Gauge
15	872110606	Bolt, Carriage 3/8-16 UNC x 3/4
16	872140622	Bolt, Carriage
17	532121912	Support, Front Axle
18	873220600	Nut, Hex, Fin. 3/8-16 UNC
19	873930600	Nut, Centerlock 3/8-16 UNC
20	873680600	Nut, Crownlock 3/8-16 UNC
21	873680500	Nut, Crownlock 5/16-18

HARDWARE SHOWN LARGER FOR EASIER IDENTIFICATION

**12 HP 36" TRACTOR - MODEL NO. LR12 (HAR1236A), PRODUCT NO. 954 00 07-52  
 ENGINE / THROTTLE**

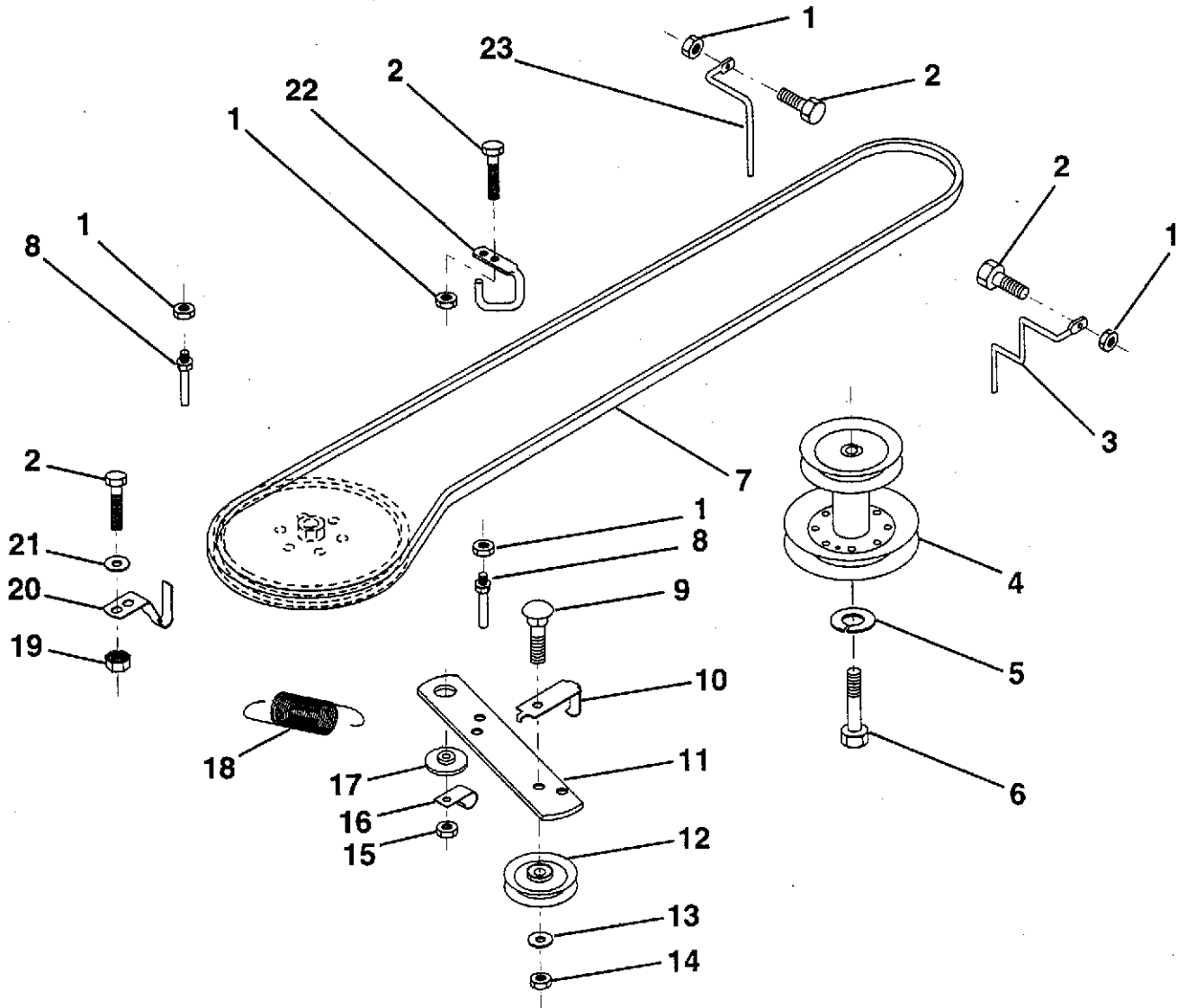


KEY NO.	PART NO.	DESCRIPTION	KEY NO.	PART NO.	DESCRIPTION
1	817720408	Screw, Hex Head, Thread-Cutting 1/4-20 x 1/2	10	810040400	Washer, Lock, Heavy Helical Spring 1/4
2	532132752	Control, Throttle	11	-----	Bolt Hex Fin (Order from eng. mfg.)
3	---	Engine, Briggs and Stratton Model Number 282707	12	532137437	Muffler
4	871070512	Screw, Hex Cap Head 5/16-18 x 3/4	15	532137180	Arrester, Spark (Optional)
5	810040500	Washer, Lock, Heavy Helical Spring 5/16	17	817490624	Screw, Hex Washer Head, Thd., Roll. 3/8-16 x 1-1/2
6	532125593	Gasket, Exhaust	18	532126636	Keeper, Ground Drive Belt
8	532121094	Bolt, Shoulder 5/16 UNC	19	532127951	Stop, Throttle
9	819101216	Washer 5/16 x 3/4 x 16 Gauge	20	873510600	Nut Keps Hex 3/8-16 UNC
			21	532124996	Clip Line Fuel

**HARDWARE SHOWN LARGER FOR EASIER IDENTIFICATION**

# REPAIR PARTS

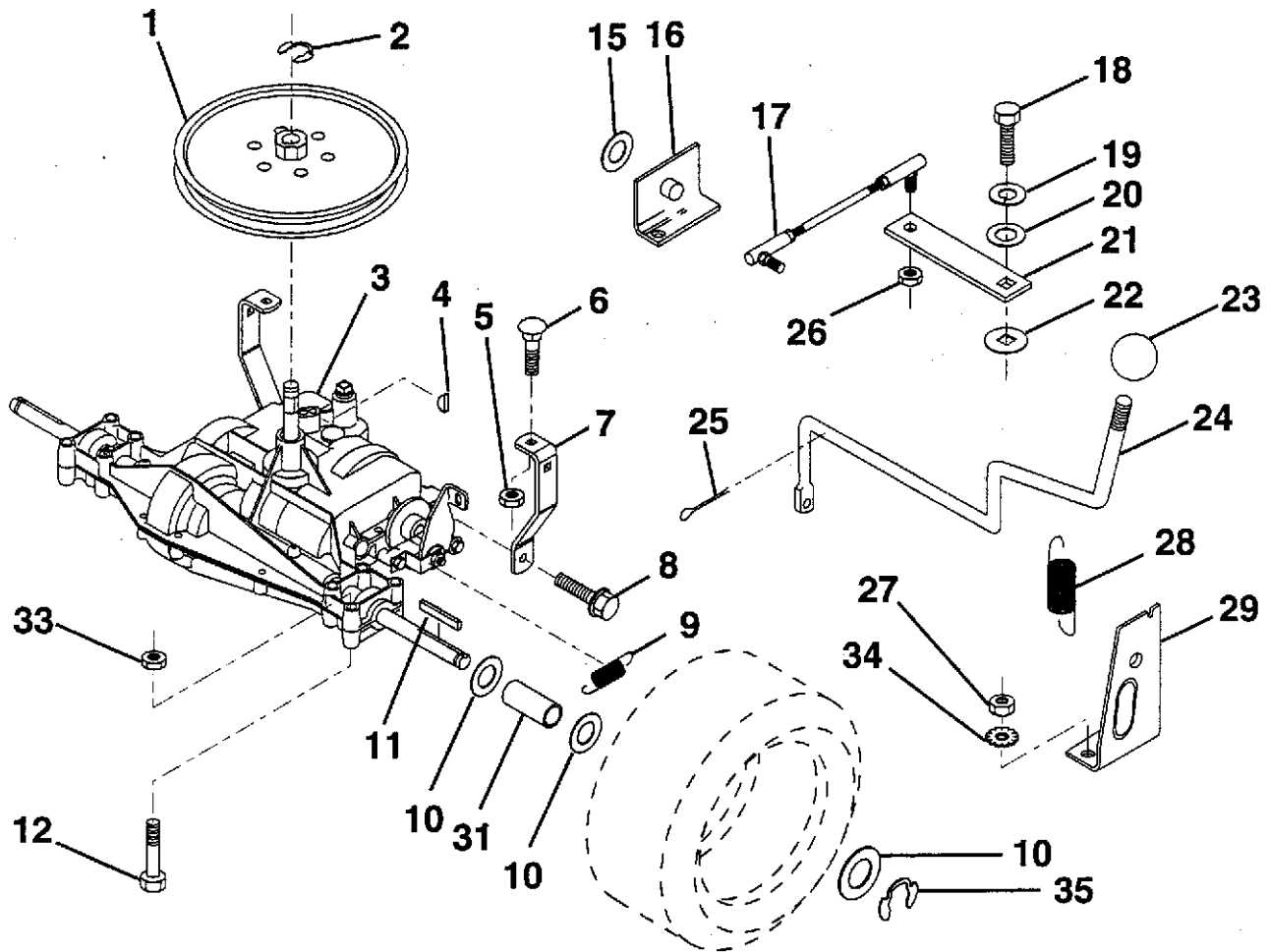
12 HP 36" TRACTOR - MODEL NO. LR12 (HAR1236A), PRODUCT NO. 954 00 07-52  
GROUND DRIVE



KEY NO.	PART NO.	DESCRIPTION	KEY NO.	PART NO.	DESCRIPTION
1	873680500	Nut, Crownlock 5/16-18	13	819131316	Washer 13/32 x 13/16 x 16 Ga.
2	874760512	Bolt, Hex Hd. 5/16-18 UNC x 3/4	14	873930600	Nut, Centerlock 3/8-16 UNC
3	532131205	Keeper, Mower Drive Belt, R.H.	15	873680600	Nut, Crownlock 3/8-16 UNC
4	532138029	Pulley, Engine	16	532126471	Clip, Insulated
5	810040700	Washer, Lock 7/16	17	532122052	Spacer, Retainer
6	871170744	Bolt, Hex, Fin. 7/16-20	18	532131459	Spring Extension
7	532124525	Traction, V-Belt, Drive	19	873510500	Nut, Hex, Keps 5/16-18 UNC
8	532123405	Keeper, T/A, Ground Drive Belt	20	532139919	Keeper, T/A, Ground Drive Belt
9	872140612	Bolt, Carriage 3/8-16 UNC x 1-1/2	21	819111016	Washer 11/32 x 5/8 x 16 Gauge
10	532123396	Keeper, Ground Drive, Belt, Idler	22	532123404	Keeper, Frame, Ground Drive Belt
11	532123395	Clutch Arm, Ground Drive	23	532131204	Keeper, Mower Drive Belt, L.H.
12	532123674	Idler, Flat			

HARDWARE SHOWN LARGER FOR EASIER IDENTIFICATION

For Husqvarna Parts Call 606-678-9623 or 606-561-4983  
**REPAIR PARTS**  
**12 HP 36" TRACTOR - MODEL NO. LR12 (HAR1236A), PRODUCT NO. 954 00 07-52**  
**TRANSAXLE**



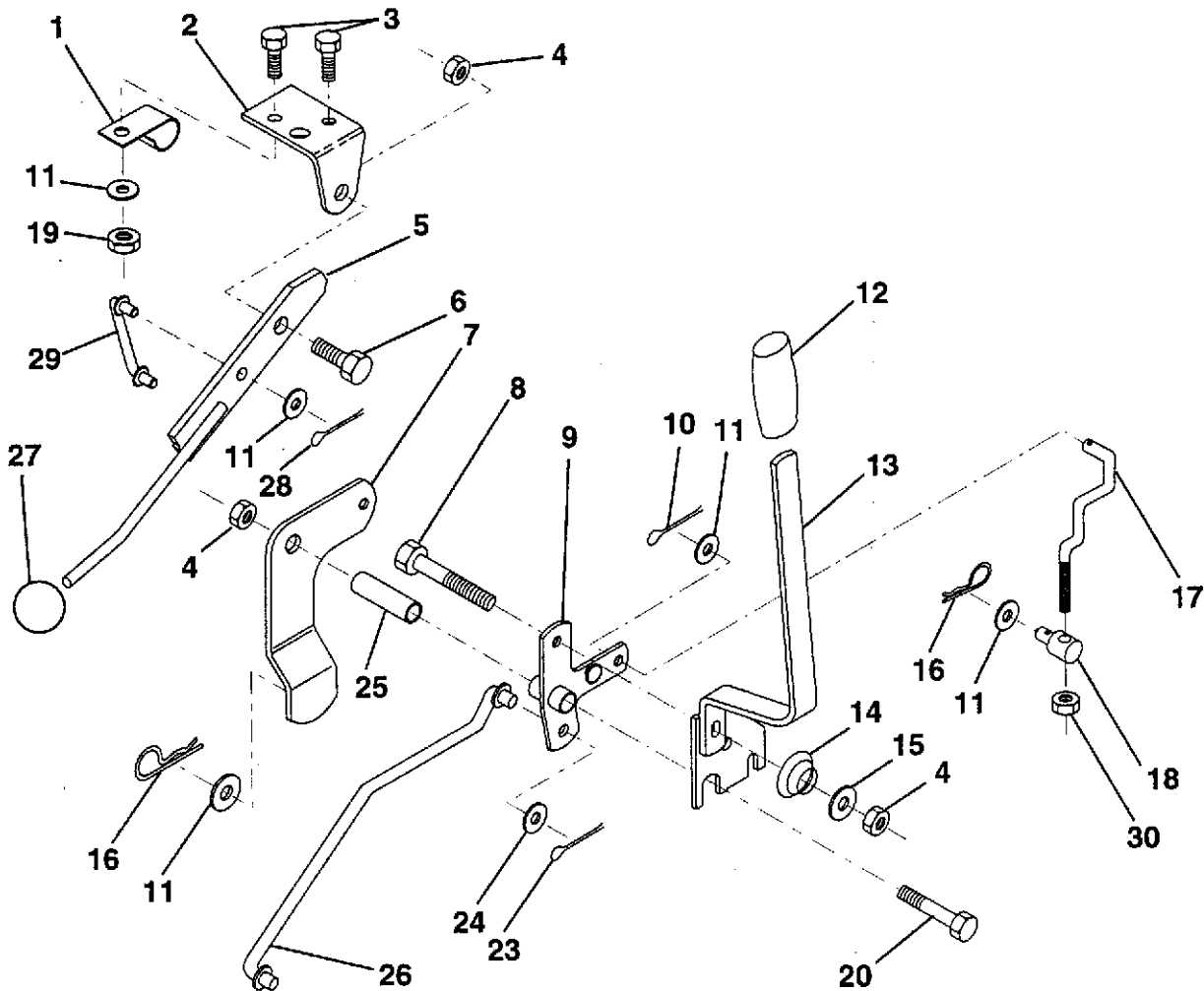
KEY NO.	PART NO.	DESCRIPTION	KEY NO.	PART NO.	DESCRIPTION
1	532123385	Pulley	18	871040412	Bolt, Fin Hex 1/4-28 UNF x 3/4 Gr. 8
2	812000028	Ring, Retainer	19	810040400	Washer, Lock 1/4
3	532137361	Transaxle, Dana 4-Speed Model # D4360-46	20	819091210	Washer 9/32 x 3/4 x 10 Ga.
4	532125096	Key, Woodruff #9	21	532123484	Arm, Shift
5	873680500	Nut, Crownlock 5/16-18	22	532105701	Washer, Shift Plate
6	872140506	Bolt, Carriage 5/16-18 UNC x 3/4	23	532106933	Knob, Golf Club
7	532123378	Strap, Torque	24	532128215	Shift Rod
8	817490512	Screw 5/16-18 x 3/4	25	876020416	Pin, Cotter 1/8 x 1
9	532110422	Spring, Brake	26	873810500	Nut, Hex Nylon
10	532121749	Washer 25/32 x 1-1/4 x 16 Ga.	27	873510500	Nut, Keps 5/16-18
11	532123583	Key, Square	28	532128085	Extension, Spring
12	874760644	Bolt, Fin Hex 3/8-16 x 2-3/4	29	532128084	Support, Handle, Shift R.H.
15	819171616	Washer 17/32 x 1 x 16 Ga.	31	532123409	Spacer, Split
16	532124600	Support, Handle, Shift L.H.	33	873680600	Nut, Crownlock 3/8-16
17	532123632	Link, Shift	34	811050500	Washer, Ext. Tooth, Lock 5/16
			35	812000001	E-Ring

HARDWARE SHOWN LARGER FOR EASIER IDENTIFICATION

# REPAIR PARTS

12 HP 36" TRACTOR - MODEL NO. LR12 (HAR1236A), PRODUCT NO. 954 00 07-52

## MOWER LIFT LEVER



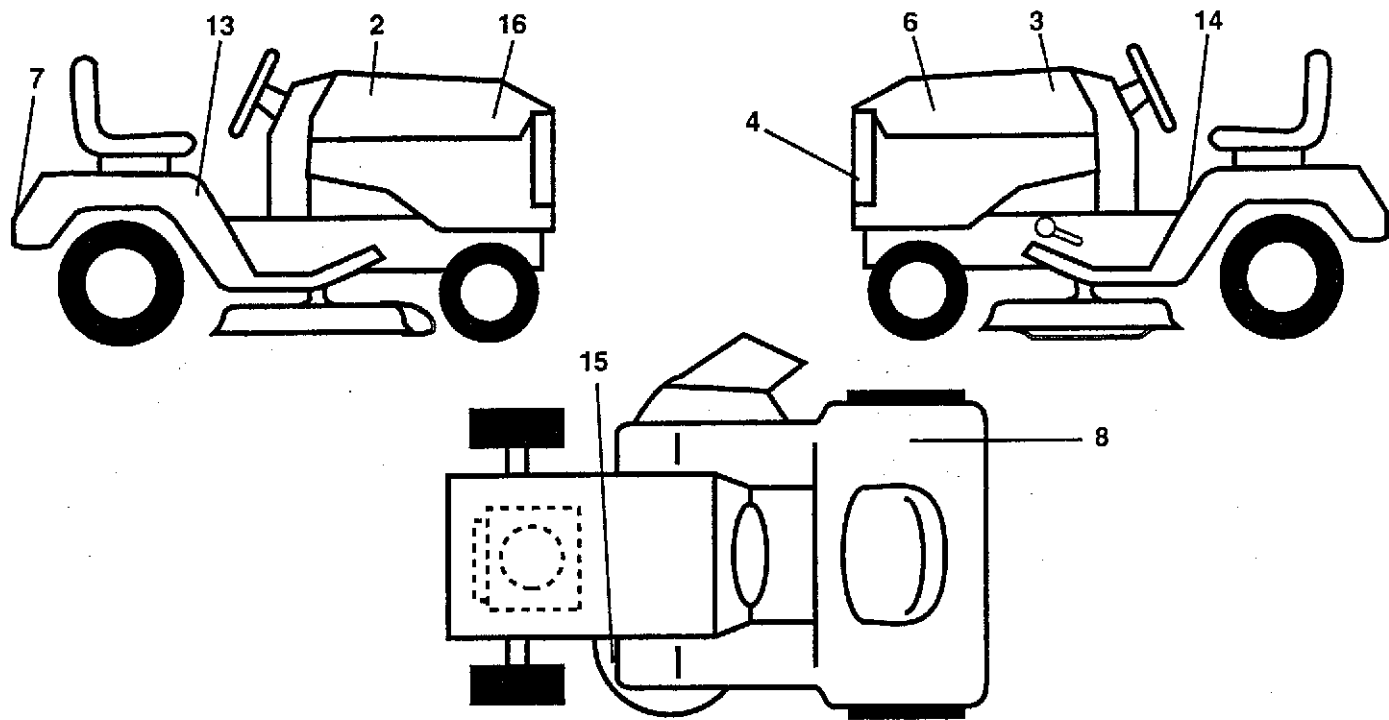
KEY NO.	PART NO.	DESCRIPTION	KEY NO.	PART NO.	DESCRIPTION
1	532126470	Clip, Insulated	15	819131212	Washer 13/32 x 3/4 x 12 Gauge
2	532122018	Bracket, Mower Clutch	16	532124961	Retainer, Spring
3	874780408	Bolt, Hex Head, Fin.	17	532127359	Link, Front Lift
		1/4-20 UNC x 1/2 Grade 5	18	532133205	Trunnion, Threaded 3/8-16
4	873680600	Nut, Crownlock 3/8-16 UNC	19	873680400	Nut, Crownlock 1/4-20
5	532123417	Clutch Lever Assembly	20	874760644	Bolt, Hex Head, Fin.
6	532106451	Bolt, Shoulder			3/8-16 UNC x 2-3/4
7	532135371	Assembly, Mower Clutch Arm	23	876020416	Pin, Cotter 1/8 x 1
8	874760636	Bolt, Hex 3/8-16 UNC x 2-1/4	24	819171616	Washer 17/32 x 1 x 16 Gauge
9	532121930	Lift Bracket Assembly	25	532121933	Tube, Spacer
10	876020412	Pin, Cotter 1/8 x 3/4	26	532121934	Rod, Mower Lift
11	819131316	Washer 13/32 x 13/16 x 16 Ga.	27	532106932	Knob
12	532122027	Grip, Handle	28	876020312	Pin, Cotter 3/32 x 3/4
13	532139352	Assembly, Lift Handle	29	532131655	Link, Mower Clutch
14	532123496	Spring, Compression	30	873560600	Nut, Centerlock 3/8-16 UNC

HARDWARE SHOWN LARGER FOR EASIER IDENTIFICATION

# REPAIR PARTS

12 HP 36" TRACTOR - MODEL NO. LR12 (HAR1236A), PRODUCT NO. 954 00 07-52

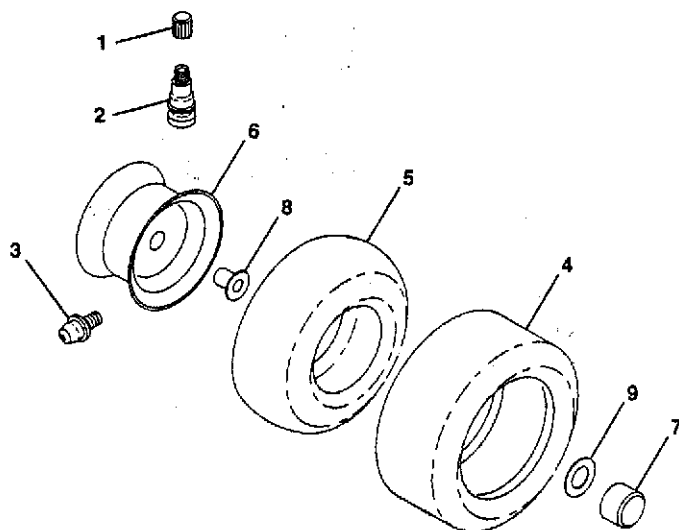
## DECALS



KEY NO.	PART NO.	DESCRIPTION
2	532140378	Decal, Stripe, Hood, R.H.
3	532140379	Decal, Stripe, Hood, L.H.
4	532140386	Decal, Grill
6	532140382	Decal, Insert Hood, R.H.
7	532131582	Decal, Logo, Fender
8	532124433	Decal, Dba

KEY NO.	PART NO.	DESCRIPTION
13	532133796	Decal, Caution (English)
14	532138272	Decal, Inst. Oper. Fender
15	532136830	Decal, V-Belt Sch. 36" LR
16	532140383	Decal, Insert Hood, L.H.
--	532140396	Manual, Repair Parts
--	532140389	Manual, Operator's
Available accessories not included with tractor:		
--	CE36	Rear Bagger
--	MK36	Mulching Kit

## WHEELS

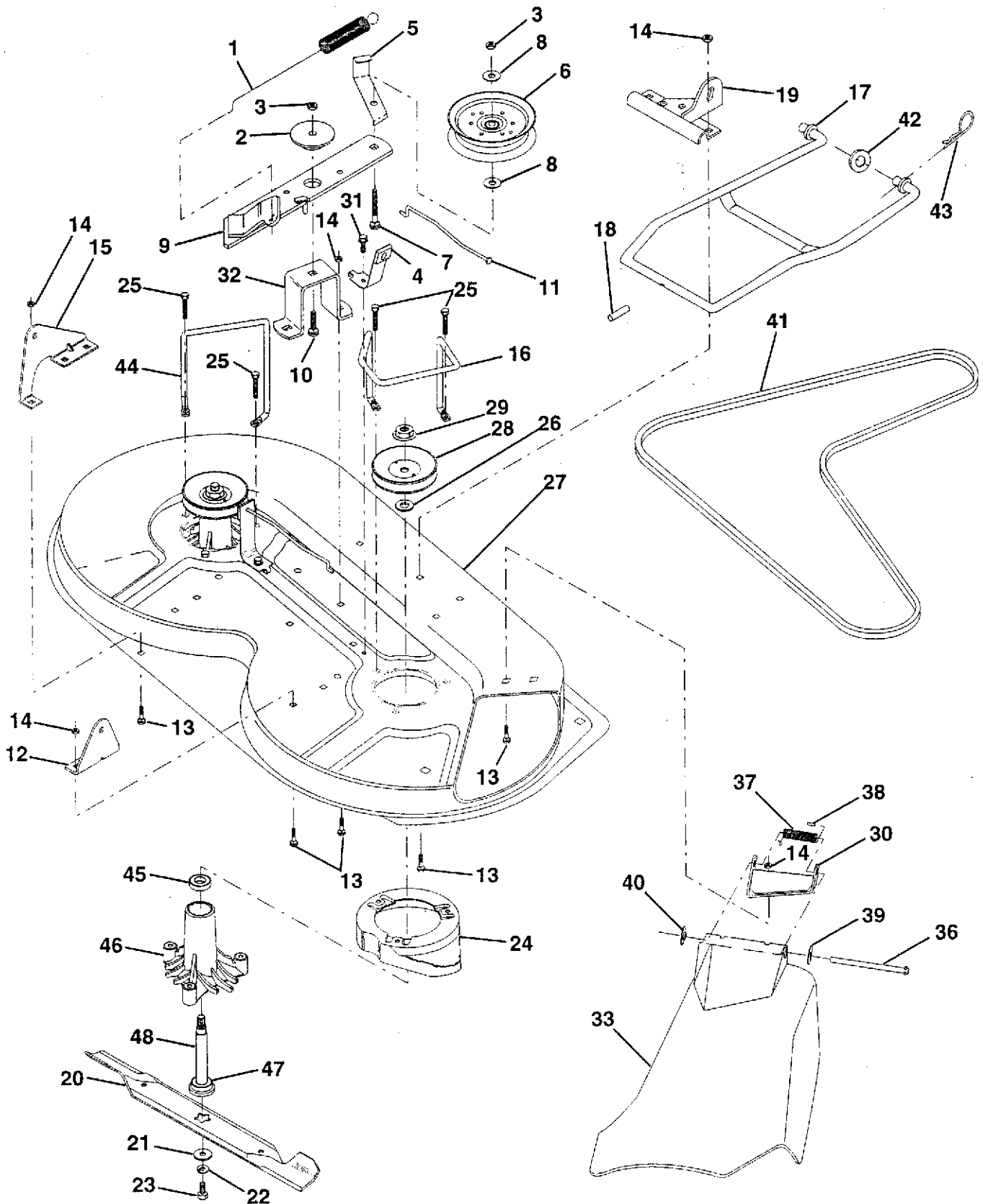


KEY NO.	PART NO.	DESCRIPTION
1	532059192	Cap, Valve, Tire
2	532065139	Stem, Valve
3	532124957	Fitting, Grease
4	532123410	Tire, Front
	532106230	Tire, Rear
5	532059904	Tube, Front Tire
	(Optional, Service Item Only)	
	532008134	Tube, Rear Tire
	(Optional, Service Item Only)	
6	532140298	Rim Assembly, Front
	532140453	Rim Assembly, Rear
7	532104757	Cap, Axle
8	532124959	Bearing, Flange
9	532121748	Washer 25/32 x 1-5/8 x 16 Gauge

# REPAIR PARTS

12 HP 36" TRACTOR - MODEL NO. LR12 (HAR1236A), PRODUCT NO. 954 00 07-52

## MOWER DECK





**12 HP 36" TRACTOR - MODEL NO. LR12 (HAR1236A), PRODUCT NO. 954 00 07-52  
 MOWER DECK**

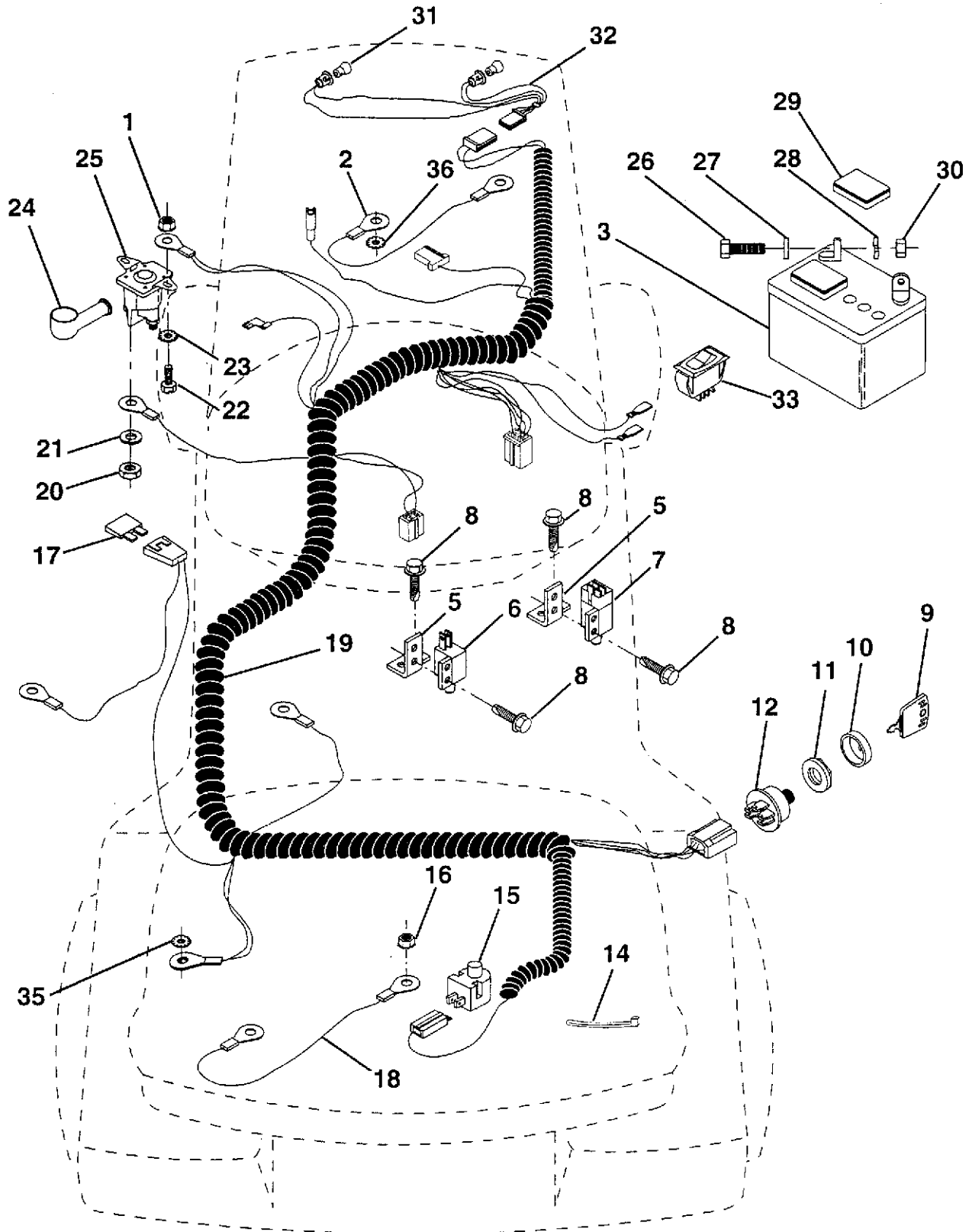
KEY NO.	PART NO.	DESCRIPTION
1	532127743	Spring, Mower Clutch
2	532122052	Spacer, Retainer
3	873680600	Nut, Crownlock
4	532130840	Brake Assembly
5	532131251	Guide, Belt, Idler
6	532121316	Pulley, Flat, Idler
7	872110616	Bolt, Carriage 3/8-16 x 2 Grade 5
8	819131410	Washer 13/21 x 7/8 x 10 Gauge
9	532127744	Arm Assembly, Idler, Mower
10	872110608	Bolt, Carriage 3/8-16 x 1
11	532130841	Rod, Brake
12	532127356	Bracket, Lift, Rear, R.H.
13	872140505	Bolt, Carriage 5/16-18 x 5/8
14	873680500	Nut, Crownlock 5/16-18
15	532127357	Bracket, Lift, Rear, L.H.
16	532140609	Keeper, R.H.
17	532128508	Link Assembly, Mower Stabilizer
18	532128511	Pin, Drive
19	532127380	Bracket, Assembly, Front
20	532127841	Blade
21	532140296	Washer, Hardened
22	810030600	Washer, Lock 3/8
23	532850857	Bolt 3/8-24 x 1-1/4 Grade 8
24	532136929	Stripper
25	817580520	Bolt 5/16-18 x 1-1/4
26	532129963	Washer .150 Thick
27	532129983	Housing Assembly
28	532129207	Pulley, Mandrel
29	532137266	Nut, Flangelock 9/16
30	532136631	Bracket, Assembly, Deflector
31	817490508	Screw, Hex Washer Head, Thd., Roll. 5/16-18 x 1/2
32	532122051	Arm, Support, Idler, Mower
33	532131560	Deflector
36	532121980	Rod, Hinge
37	532123713	Spring, Torsion, Deflector
38	532105304	Cap, Sleeve
39	819111016	Washer 11/32 x 5/8 x 16 Gauge
40	532110452	Push Nut
41	532131264	V-Belt
42	819171616	Washer 11/32 x 5/8 16 Gauge
43	532124660	Retainer, Spring
44	532140608	Keeper, L.H.
45	532110485	Bearing
46	532128774	Housing, Mandrel, Vented
47	532129895	Bearing
48	532137645	Shaft, Mandrel (Includes Key Number 47)
--	532130794	Mandrel Assembly (Includes Key No.'s 22, 23, 26, 29 and 45-48)
--	532136317	Mower Deck, Complete

**HARDWARE SHOWN LARGER FOR EASIER IDENTIFICATION**

# REPAIR PARTS

12 HP 36" TRACTOR - MODEL NO. LR12 (HAR1236A), PRODUCT NO. 954 00 07-52

## ELECTRICAL



**REPAIR PARTS**  
**12 HP 36" TRACTOR - MODEL NO. LR12 (HAR1236A), PRODUCT NO. 954 00 07-52**  
**ELECTRICAL**

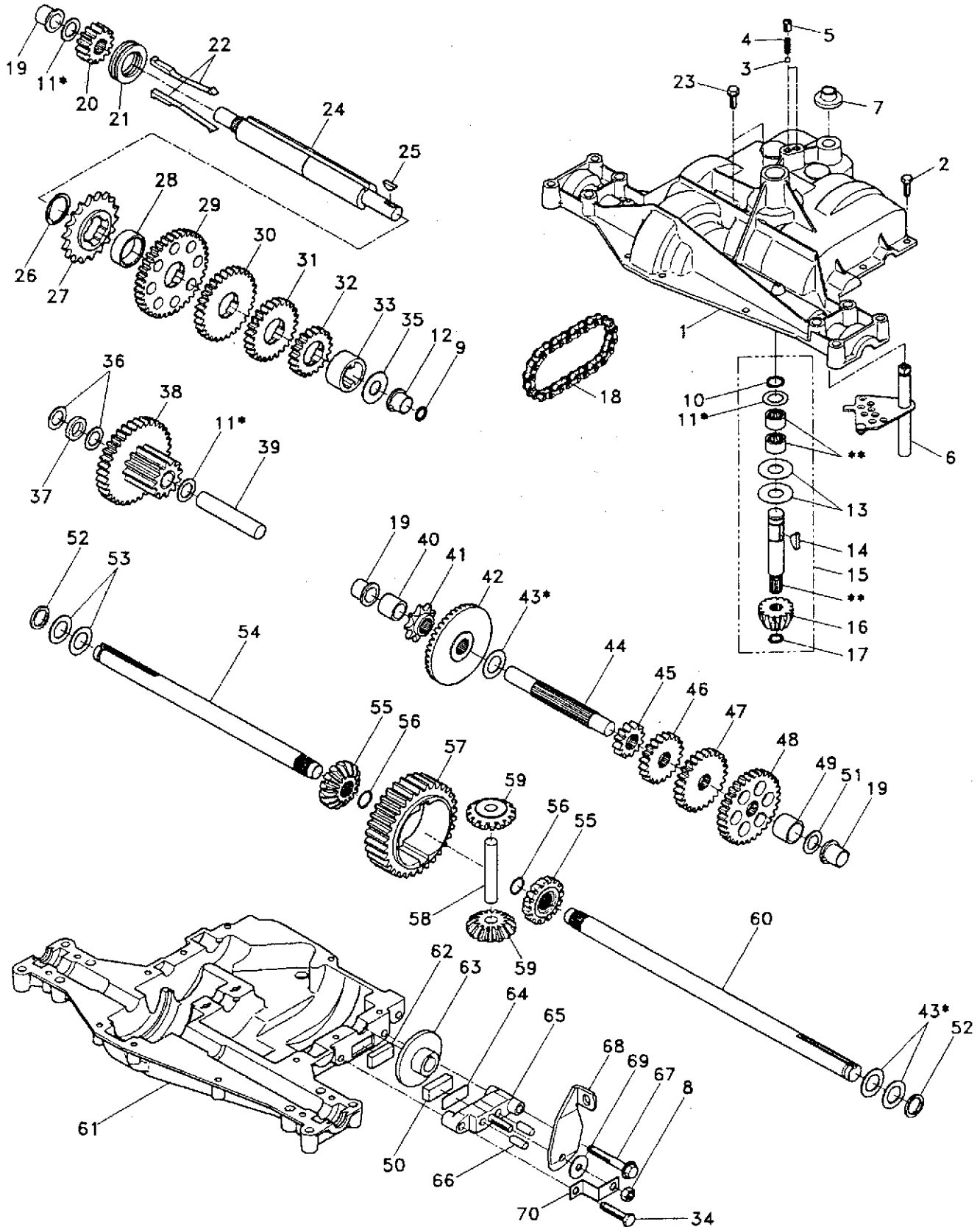
KEY NO.	PART NO.	DESCRIPTION
1	873510400	Nut, Hex Keps 1/4-20
2	532108423	Assembly, Cable
3	532133909	Battery
5	532108236	Bracket, Switch
6	532104445	Switch, Interlock (2-terminal)
7	532109553	Switch, Interlock (4-terminal)
8	817021008	Screw, Hex Hd. Tap #10-24 x 1/2
9	532124699	Key, Molded
10	532123620	Cover, Key Ignition
11	532124211	Nut, Ignition
12	532125104	Switch, Ignition
14	532124756	Tie, Cable
15	532121305	Switch, Plunger
16	873510500	Nut, Hex, Keps 5/16-18
17	532108824	Fuse
18	532128353	Assembly, Cable
19	532132222	Harness, Ignition
20	873350400	Nut, Hex Jam 1/4-20
21	810090400	Washer, Lock 1/4
22	874780408	Bolt, Fin. Hex 1/4-20 UNC x 1/2 Gr. 5
23	811050400	Washer, Lock Ext. Tooth 1/4
24	532131563	Cover, Terminal
25	532138406	Solenoid
26	874760412	Bolt, Hex Hd. 1/4-20 UNC x 3/4
27	819091016	Washer 9/32 x 5/8 x 16
28	810040400	Washer, Lock 1/4
29	532121264	Cap, Battery
30	873220400	Nut, Fin. Hex 1/4-20 UNC
31	532124893	Bulb, Light
32	532136849	Harness, Headlight
33	532110712	Switch, Light
35	811050600	Washer Lock Ext. Tooth 3/8
36	811150400	Washer Lock Inter. Tooth 1/4

HARDWARE SHOWN LARGER FOR EASIER IDENTIFICATION

# REPAIR PARTS

12 HP 36" TRACTOR - MODEL NO. LR12 (HAR1236A), PRODUCT NO. 954 00 07-52

DANA TRANSAXLE - MODEL NUMBER 4360-46



# For Husqvarna Parts Call 606-678-9623 or 606-561-4983

## REPAIR PARTS

12 HP 36" TRACTOR - MODEL NO. LR12 (HAR1236A), PRODUCT NO. 954 00 07-52  
 DANA TRANSAXLE - MODEL NUMBER 4360-46

KEY NO.	PART NO.	DESCRIPTION	KEY NO.	PART NO.	DESCRIPTION
1	138248	Housing, Upper	39	124639X	Shaft, Idler
2	2274J	Screw, Self-Tapping, Large 1/4-20 x .734	40	120472X	Spacer .635 x .875 x .755
3	134400	Ball, Detent	41	105928X	Sprocket 9 Teeth
4	105904X	Spring, Detent	42	110084X	Gear, Bevel, 42 Teeth
5	105905X	Screw, Set	43	134394	* Assembly, Kit, Shim, .750 Shaft
6	138235	Kit, Shifter Assembly	44	120473X	Shaft, Drive
7	134399	Boot, Shifter	45	105933X	Gear, Spur, 12 Teeth
8	73810500	Locknut 5/16-24	46	120407X	Gear, Spur, 20 Teeth
9	138241	Square Ring	47	106589X	Gear, Spur, 25 Teeth
10	2267J	Ring, Retaining	48	105937X	Gear, Spur, 31 Teeth
11	134793	* Assembly, Kit, Shim .625 Shaft	49	120523X	Spacer .781 x 1.00 x .750
12	138240	Bearing, Flange	50	120951X	Puck, Friction
13	120415X	Washer, Plain .632 x 1.38 x .046	51	2226J	Washer, Plain .632 x 1.00 x .060
14	2257J	Key, Woodruff, #9	52	134401	Washer, Neoprene
15	138234	Assembly, Kit, Input Shaft	53	2264J	Washer, Plain .758 x 1.25 x .031
16	110078X	Pinion, Bevel, 14 Teeth	54	120474X	Axle, L.H.
17	105909X	Ring, Retaining	55	110081X	Gear, Miter, 15 Teeth
18	105910X	Chain, 24 Pitches	56	105941X	Ring, Retaining
19	105911X	Bearing, Flange	57	110071X	Gear, Spur, 32 Teeth
20	138242	Gear, Spur, 14 Teeth	58	120952X	Shaft, Cross
21	138246	Collar, Clutch	59	110082X	Gear, Miter, 15 Teeth
22	138236	Assembly, Kit, Clutch Keys	60	120475X	Axle, R.H.
23	134791	Screw, Self-Tapping, with Sealer	61	138247	Housing, Lower
24	138243	Shaft, Intermediate	62	120961X	Puck, Friction
25	2244J	Key, Woodruff, #61	63	7294J	Disc, Brake
26	105916X	Ring, Retaining	64	108989X	Spacer
27	120470X	Sprocket, 18 Teeth	65	120953X	Jaw, Brake
28	110070X	Spacer	66	120954X	Pin, Dowel
29	108977X	Gear, Spur, 37 Teeth	67	134799	Screw, Self-Tapping 5/16-18 x 2.25
30	120405X	Gear, Spur, 30 Teeth	68	138244	Lever, Actuating
31	108980X	Gear, Spur, 25 Teeth	69	108996X	Washer, Plain .321 x 1.00 x .055
32	134796	Gear, Spur, 19 Teeth	70	120956X	Bracket, Anti-Rotation
33	138239	Spacer 1.133 x 1.50 x .750	71	120416X	Grease
34	106596X	Screw, Self-Tapping 5/16-18 x 1.40			
35	105925X	Washer, Plain .640 x 1.37 x .061			
36	2232J	Washer, Plain .632 x 1.00 x .026			
37	108978X	Spacer .630 x 1.00 x .169			
38	110079X	Assembly, Gear, Combination of 12 Teeth and 35 Teeth			
					* Use in combinations to maintain proper clearances
					** Order Key Number 15

**NOTE:** All component dimensions given in U.S. inches  
 1 inch = 25.4 mm