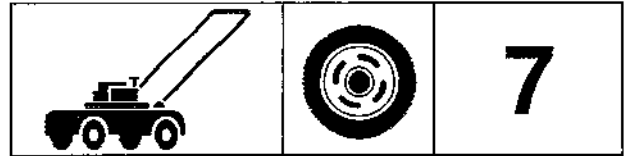


 **Husqvarna**



Rider

970-12/12s/12,5K



1.1992

Spare parts

Ersatzteile

Pièces détachées

Reserve onderdelen

Repuestos

Reservdelar

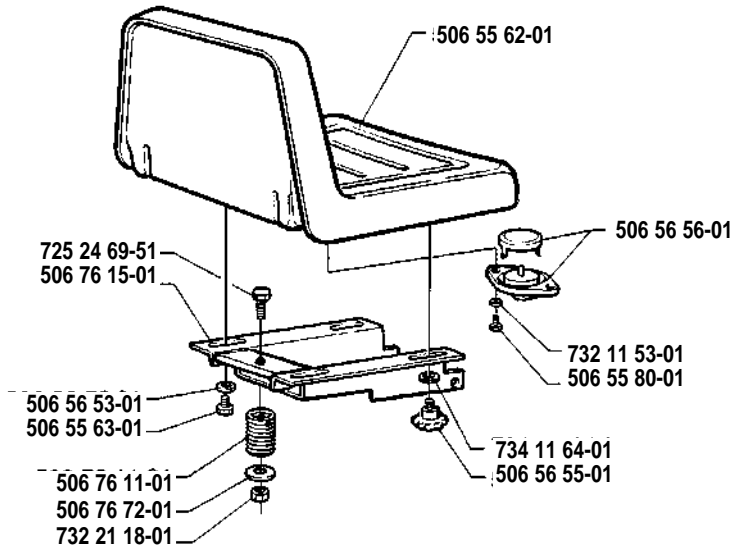
MODEL NUMBER R970

PARTNUMBER	SQUARE	NOTE	PARTNUMBER	SQUARE	NOTE	PARTNUMBER	SQUARE	NOTE	PARTNUMBER	SQUARE	NOTE
161 08 23-01	C		506 57 01-04	H		506 76 96-01	B		506 83 69-01	E	
506 50 07-01	D		506 57 02-01	J		506 76 97-01	B		506 83 71-01	E	
506 50 08-01	D		506 57 11-01	E		506 76 98-01	B		506 83 75-01	K	
506 50 09-01	D		506 57 43-01	O		506 77 05-02	H		506 83 76-01	K	
506 50 29-01	C		506 57 45-01	G		506 77 06-01	H		506 83 77-01	K	
506 50 34-01	O		506 57 51-01	C		506 77 07-01	K		506 83 78-01	K	
506 50 35-01	C		506 57 52-01	C		506 77 33-01	G		506 83 79-01	K	
506 50 36-01	C		506 57 53-01	C		506 77 34-01	G		506 83 90-01	L	
506 50 39-01	C		506 57 55-01	C		506 77 56-01	E		506 83 92-01	J	
506 50 46-01	C		506 57 61-01	C		506 77 57-01	E		506 83 93-01	J	
506 50 48-01	C		506 57 63-01	B		506 77 64-01	E		506 83 94-01	J	
506 50 48-03	C		506 57 64-01	B		506 77 93-01	E		506 83 98-01	J	
506 50 48-05	L		506 58 52-01	B		506 78 18-02	H		506 83 98-02	J	
506 50 54-01	I		506 58 91-01	D		506 78 35-02	G		506 84 11-01	K	
506 50 62-02	G		506 58 94-01	A		506 78 42-01	N		506 84 11-02	K	
506 50 82-01	P		506 58 97-01	C		506 78 43-01	N		506 84 63-01	J	
506 50 90-01	P		506 59 20-01	B		506 78 88-01	D		506 86 21-01	E	
506 50 93-01	C		506 59 30-02	G		506 79 00-01	K		506 86 34-01	F	
506 50 94-01	C		506 59 46-01	B		506 79 09-01	D		506 86 51-01	C	
506 50 99-01	B		506 59 48-01	A		506 79 10-01	E		506 87 00-01	J	
506 51 08-01	P		506 59 50-01	C		506 79 33-01	G		506 87 01-01	K	
506 51 87-01	I		506 59 51-01	C		506 79 34-01	G		506 87 03-01	N	
506 51 91-01	I		506 59 53-01	B		506 79 45-01	D,E		506 87 05-01	N	
506 51 95-01	I		506 59 62-01	C		506 79 46-01	G		506 87 07-01	N	
506 52 24-01	D		506 59 65-01	C		506 79 86-01	G		506 87 17-01	K	
506 52 77-01	C		506 59 73-01	A		506 80 27-01	L		506 87 26-01	K	
506 53 27-01	I		506 59 74-01	A		506 80 28-01	F		506 87 32-01	K	
506 53 31-01	I		506 59 92-01	G		506 80 29-01	L		506 87 33-01	B	
506 53 35-01	I		506 66 34-01	D		506 80 30-01	L		506 87 33-02	B	
506 53 41-01	I		506 66 42-01	B		506 80 31-01	G		506 87 34-01	B	
506 53 56-01	G		506 66 45-01	B		506 80 31-02	G		506 87 34-02	B	
506 53 56-02	G		506 66 56-01	C		506 80 99-01	D		506 87 41-01	K	
506 53 57-01	G		506 66 58-01	C		506 81 32-01	B		506 87 54-01	J	
506 53 57-02	G		506 66 78-01	A		506 81 51-01	D		506 87 60-01	B	
506 53 61-01	P		506 66 79-01	A		506 81 58-01	D		506 87 60-02	B	
506 53 85-01	B		506 66 88-01	E		506 81 62-01	D		506 88 77-01	H	
506 53 86-01	B		506 67 33-01	B		506 81 77-01	N		506 88 96-01	N	
506 53 87-01	B		506 67 86-01	J		506 81 78-01	D		506 88 97-01	K	
506 53 88-01	B		506 67 91-02	K		506 81 92-01	E		506 89 40-01	N	
506 53 89-01	B		506 67 95-01	J		506 82 08-01	D		506 89 43-01	D	
506 53 94-01	D		506 75 02-01	J		506 82 09-01	D		506 89 58-01	K	
506 54 23-01	O		506 75 03-01	J		506 82 13-01	P		506 89 61-01	M	
506 54 25-01	C		506 75 11-01	J		506 82 34-01	K		506 89 61-02	M	
506 54 35-01	C		506 75 11-02	J		506 82 47-01	G		506 89 62-01	M	
506 54 49-01	B		506 75 12-01	J		506 82 96-01	D		506 89 63-01	M	
506 54 63-01	P		506 75 13-01	J		506 83 12-01	N		506 89 63-02	M	
506 54 64-01	P		506 75 13-02	J		506 83 15-01	N		506 89 68-01	M	
506 54 66-01	P		506 75 14-01	J		506 83 16-01	N		506 89 68-02	M	
506 55 08-04	P		506 75 15-01	J		506 83 17-01	N		506 90 04-01	N	
506 55 08-06	P		506 75 28-01	J		506 83 18-01	N		506 90 05-01	N	
506 55 17-01	B		506 75 42-01	J		506 83 19-01	N		506 90 08-01	N	
506 55 43-01	D		506 75 45-01	J		506 83 22-01	N		506 90 11-01	N	
506 55 44-01	D		506 75 54-01	K		506 83 23-01	N		721 42 12-26	N	
506 55 46-01	D		506 75 60-01	J		506 83 25-02	N		721 42 50-70	N	
506 55 47-01	D		506 75 68-01	N		506 83 28-01	N		721 61 52-01	H	
506 55 48-01	L		506 75 71-01	N		506 83 30-01	N		721 61 83-01	G,N	
506 55 49-01	L		506 75 79-01	J		506 83 31-01	N		721 61 87-01	E,N	
506 55 49-02	L		506 75 90-01	E		506 83 38-01	P		721 83 99-01	H	
506 55 50-01	O		506 75 95-02	N		506 83 39-01	N		722 79 44-02	B	
506 55 65-01	P		506 76 05-01	K		506 83 43-01	N		722 79 81-02	B	
506 55 73-01	P		506 76 08-01	E		506 83 47-01	N		723 13 27-51	E	
506 55 78-01	C		506 76 11-01	A		506 83 48-01	N		723 23 66-31	B	
506 55 83-01	F		506 76 15-01	A		506 83 49-01	N		725 23 27-51	N	
506 55 83-02	C		506 76 72-01	A		506 83 50-01	N		725 23 29-51	D	
506 55 97-01	A		506 76 81-01	J		506 83 52-01	N		725 23 31-51	D,N	
506 56 25-01	P		506 76 81-02	J		506 83 56-01	N		725 23 35-51	N	
506 56 26-01	D		506 76 84-01	E		506 83 57-01	N		725 23 39-51	D	
506 56 38-01	C		506 76 85-01	J		506 83 58-01	N		725 23 39-71	N	
506 56 65-01	P		506 76 86-01	J		506 83 59-01	N		725 23 64-61	E,N	
506 57 01-03	B		506 76 88-01	N		506 83 67-01	E		725 23 66-51	G	

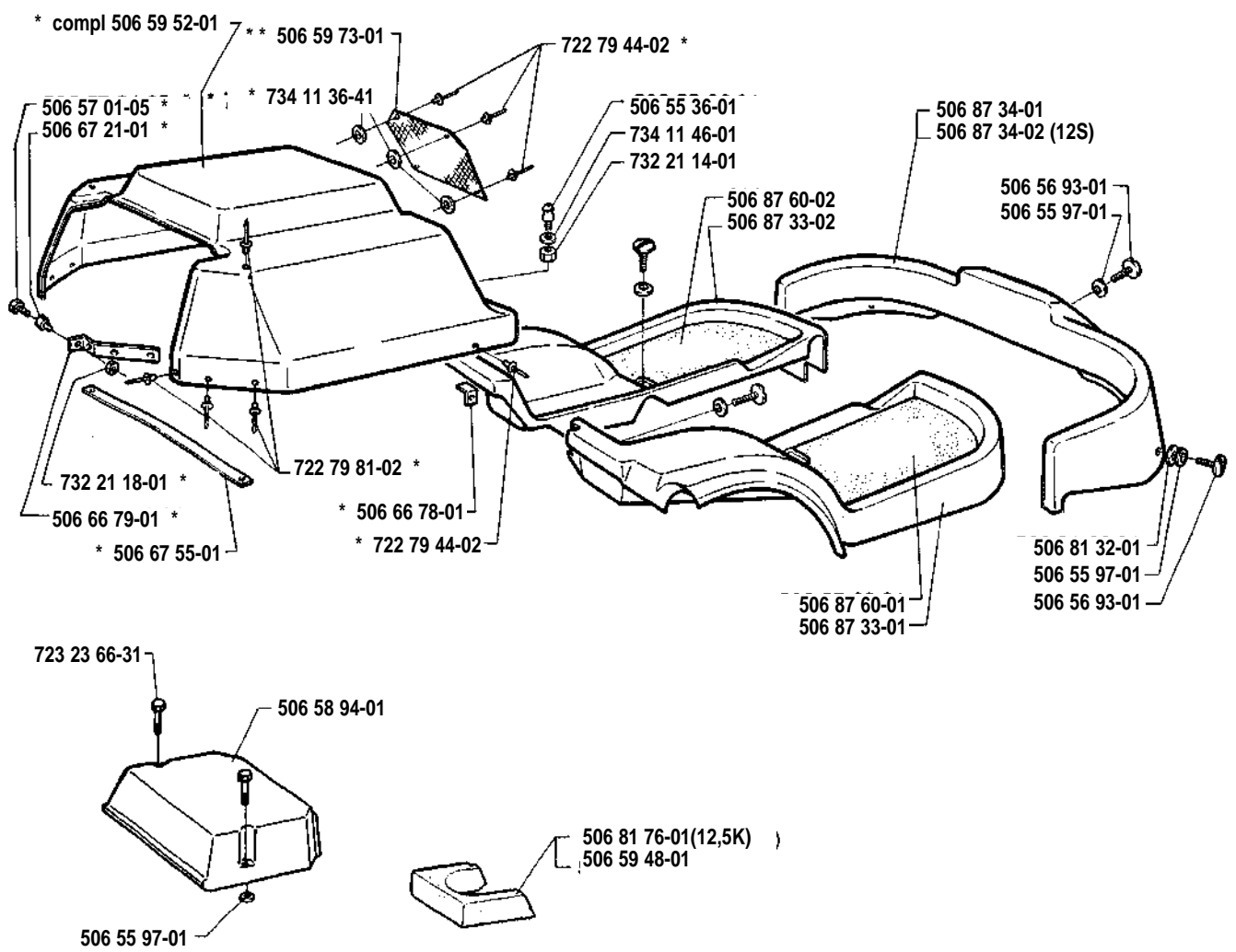
MODEL NUMBER R970

PARTNUMBER	SQUARE	NOTE	PARTNUMBER	SQUARE	NOTE	PARTNUMBER	SQUARE	NOTE	PARTNUMBER	SQUARE	NOTE
725 23 70-51	E		738 21 05-04	E							
725 23 72-71	G		738 21 10-04	G							
725 23 74-71	N		738 22 04-19	F,J							
725 23 76-51	N		738 88 10-01	G							
725 24 49-51	D,E,H,J		738 88 70-02	G							
725 24 51-51	G,E		740 68 14-21	G							
725 24 52-51	D,N		760 39 55-31	P							
725 24 53-51	J,K,N										
725 24 57-51	D,K,N										
725 24 59-51	G										
725 24 60-51	N										
725 24 61-51	G,H										
725 24 63-51	K										
725 24 66-51	G										
725 24 69-51	A										
725 24 73-51	P										
725 24 97-51	F,N										
725 54 99-55	E										
725 64 51-01	K,N										
725 64 55-01	G,J										
728 74 55-05	E										
728 84 43-05	F										
729 44 08-01	N										
729 53 29-71	E										
731 23 10-01	N										
731 23 12-01	N										
731 23 14-01	D										
731 23 16-01	G										
731 23 18-01	BDEGJKN										
731 23 20-51	E,F,J,N										
732 11 53-01	A										
732 12 28-01	N										
732 21 14-01	B,N										
732 21 16-01	E,N										
732 21 18-01	AEPHJKNB										
732 21 20-51	F,K										
732 21 22-01	K										
732 23 18-01	J,K										
732 25 12-01	N										
733 79 14-40	E										
734 11 24-01	N										
734 11 36-41	B										
734 11 46-01	B,D,E										
734 11 53-01	G,E										
734 11 56-01	G										
734 11 62-71	K										
734 11 64-01	A,D,G,H										
734 11 64-41	G,E,J,K										
734 11 72-01	K										
734 11 77-71	K										
734 11 82-01	K										
734 48 80-01	E,N										
735 21 64-00	D										
735 31 09-21	H										
735 31 12-00	E										
735 31 12-20	K										
735 31 13-20	J										
735 31 14-20	N										
735 31 14-21	F										
735 31 17-00	K										
735 31 18-01	G,F										
735 31 22-00	L										
735 31 22-21	G,L										
735 31 26-00	G										
735 31 38-10	E,K										
735 31 38-11	G										
735 31 40-10	E,F										
735 58 35-01	E										
737 38 11-00	N										
738 21 04-04	G,E,K										

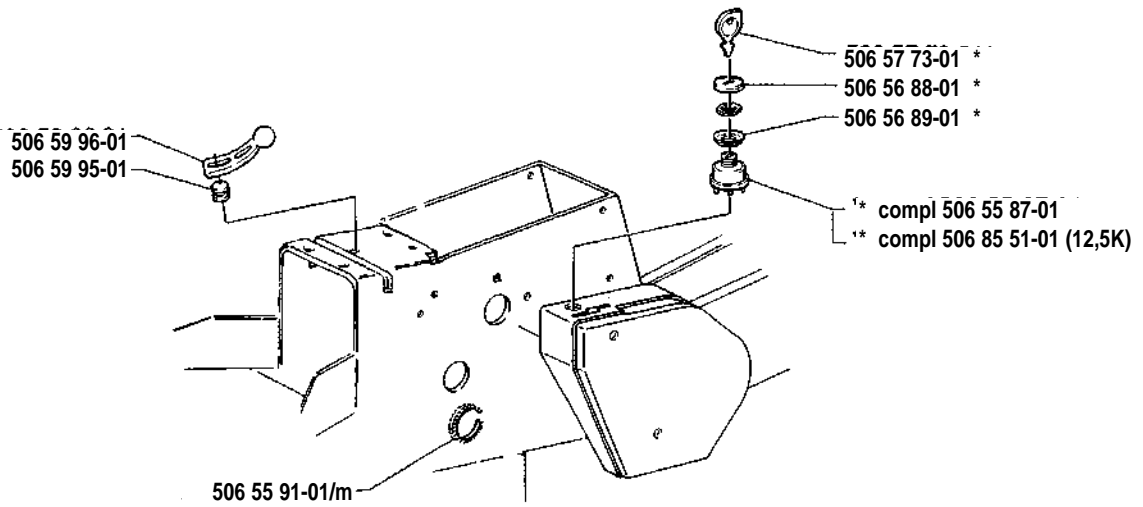
A



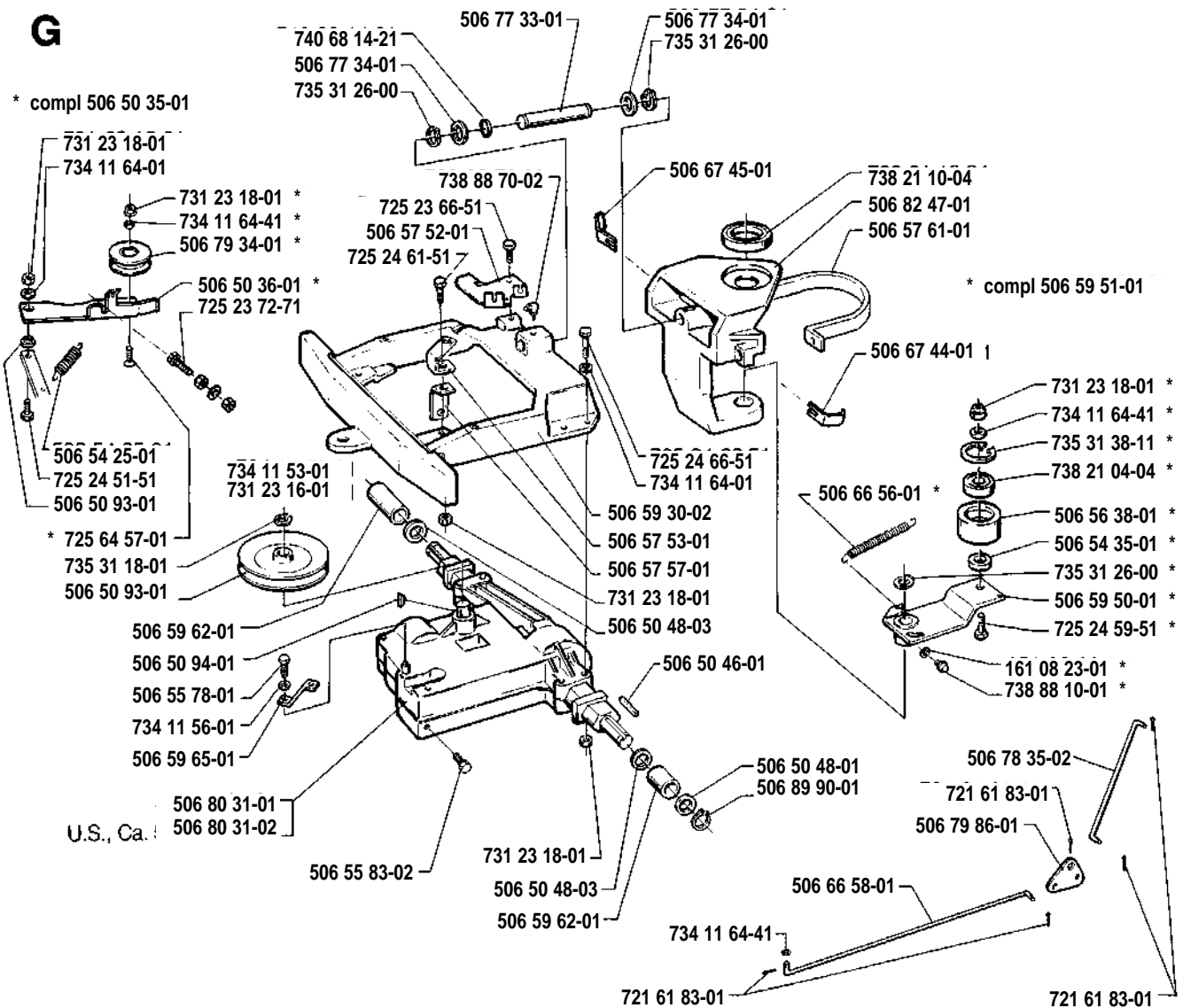
B



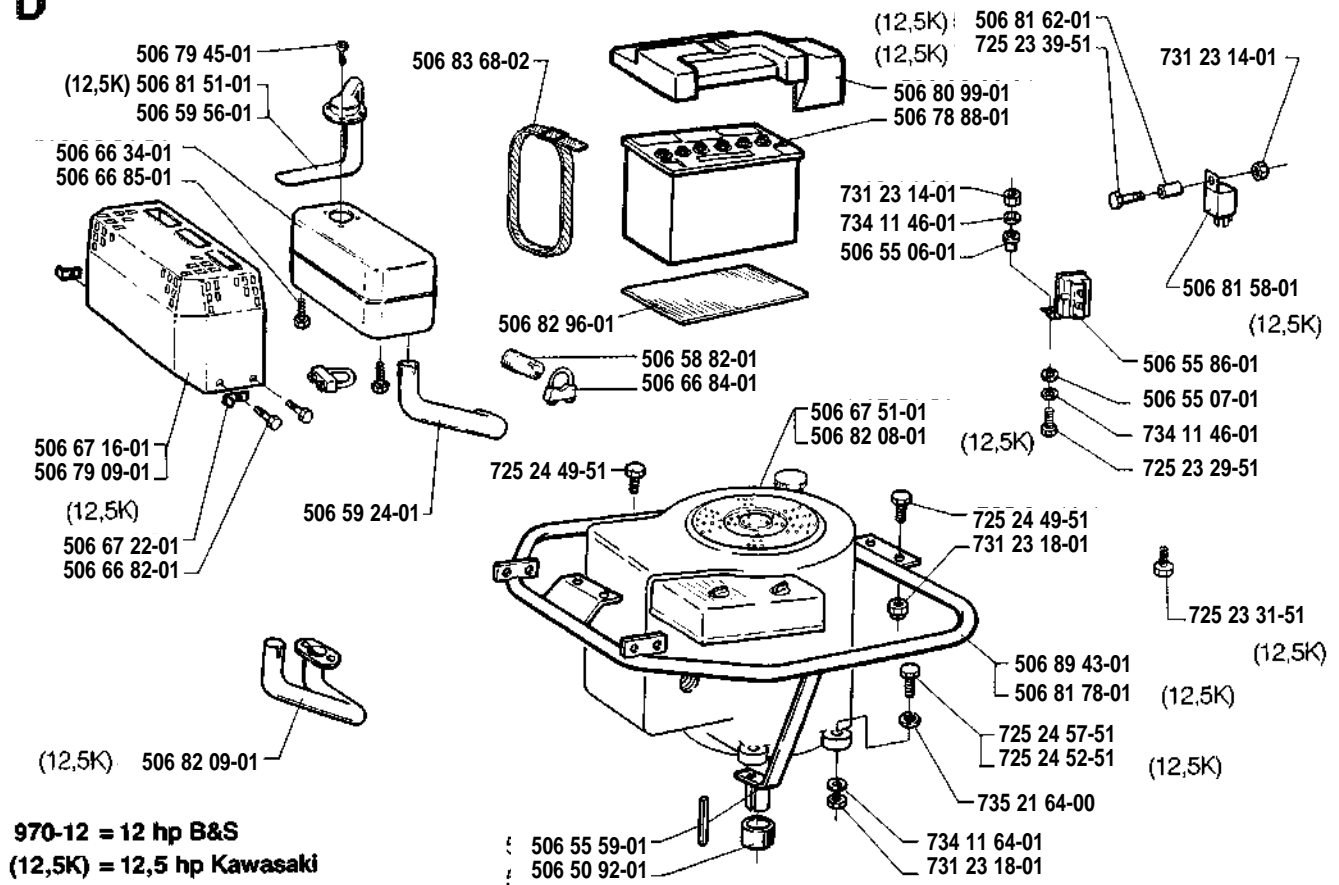
C



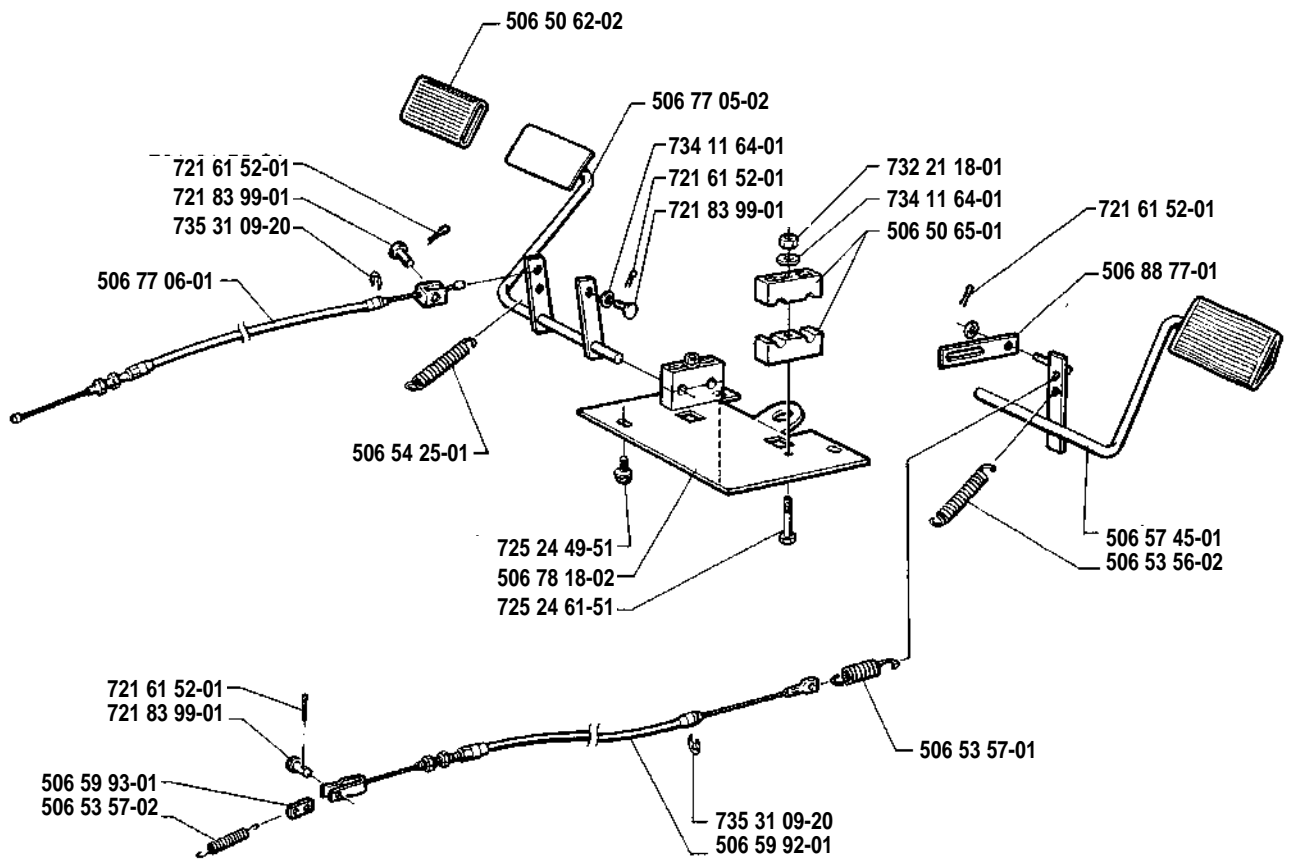
G



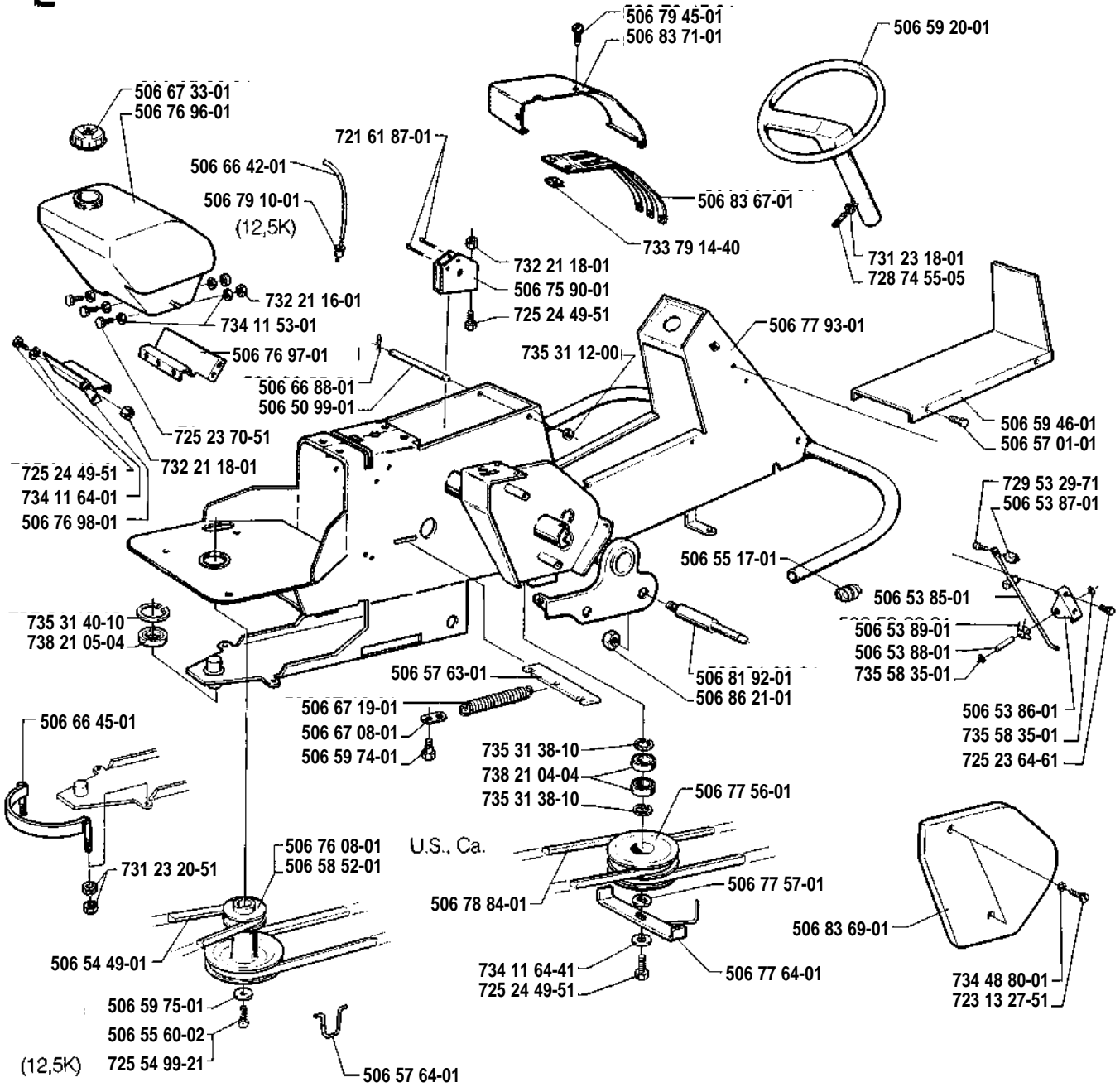
D



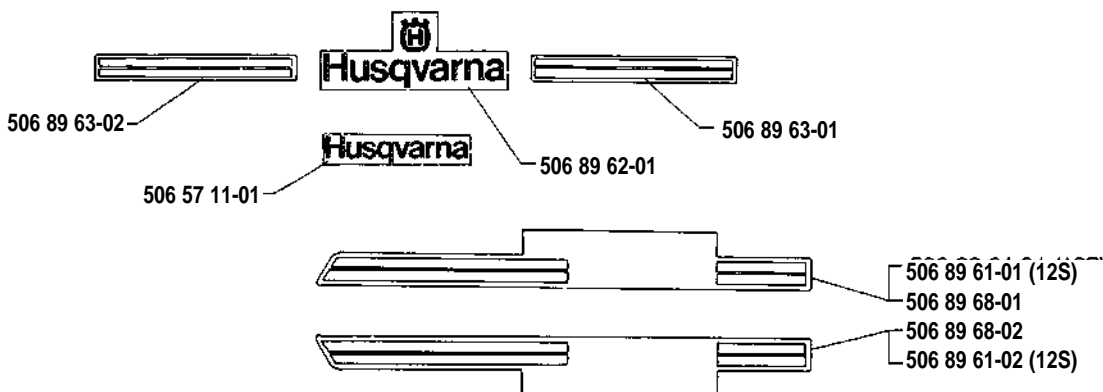
H



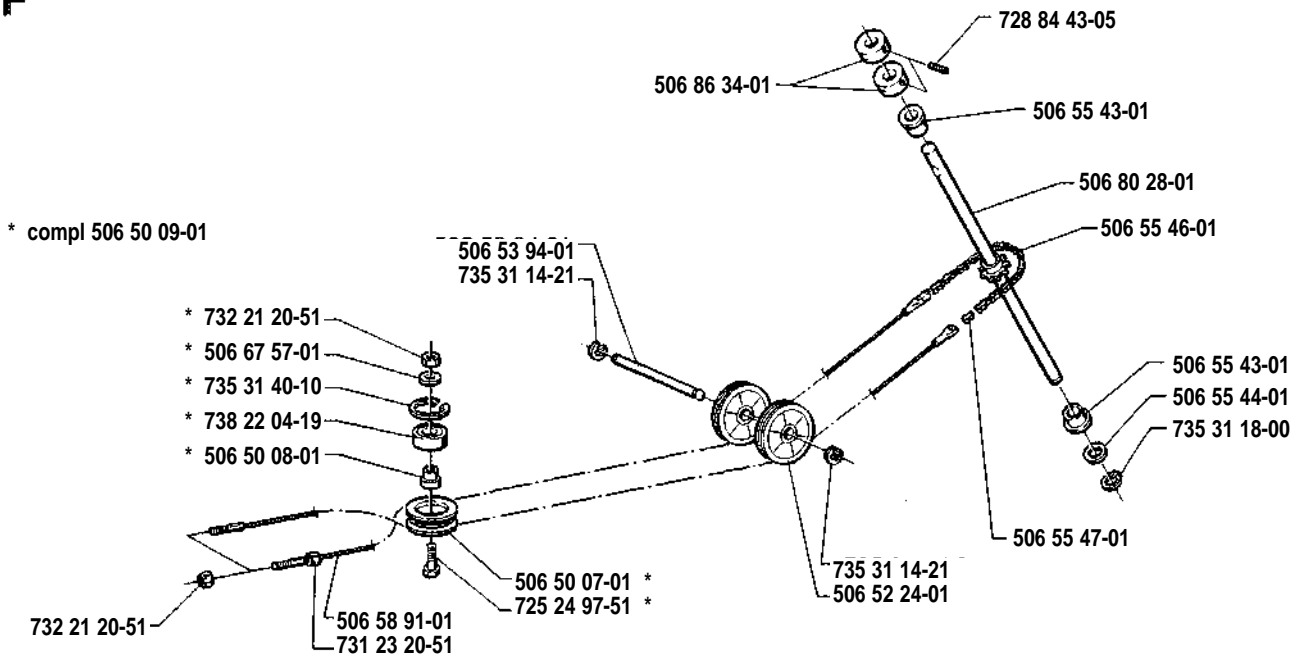
E



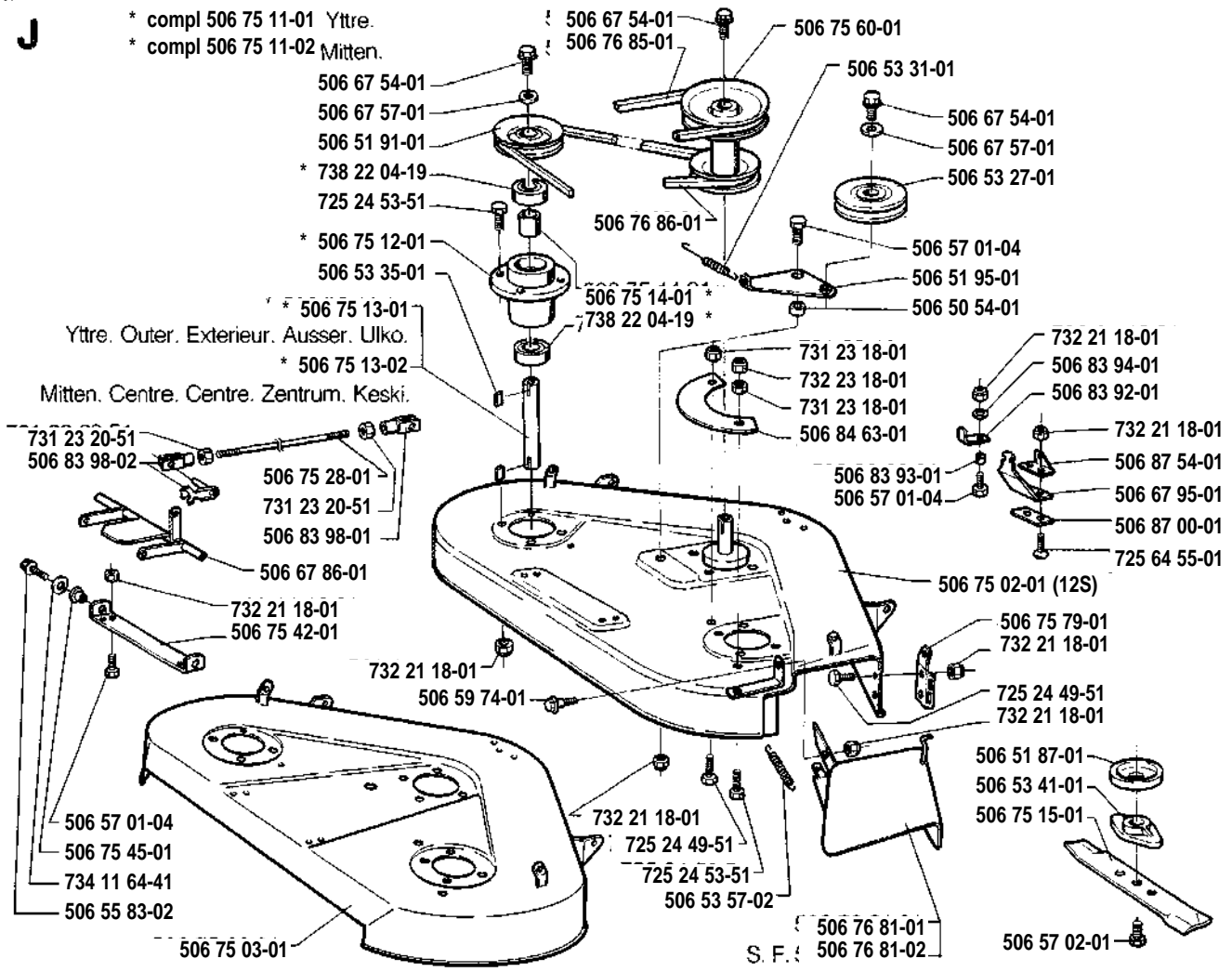
M

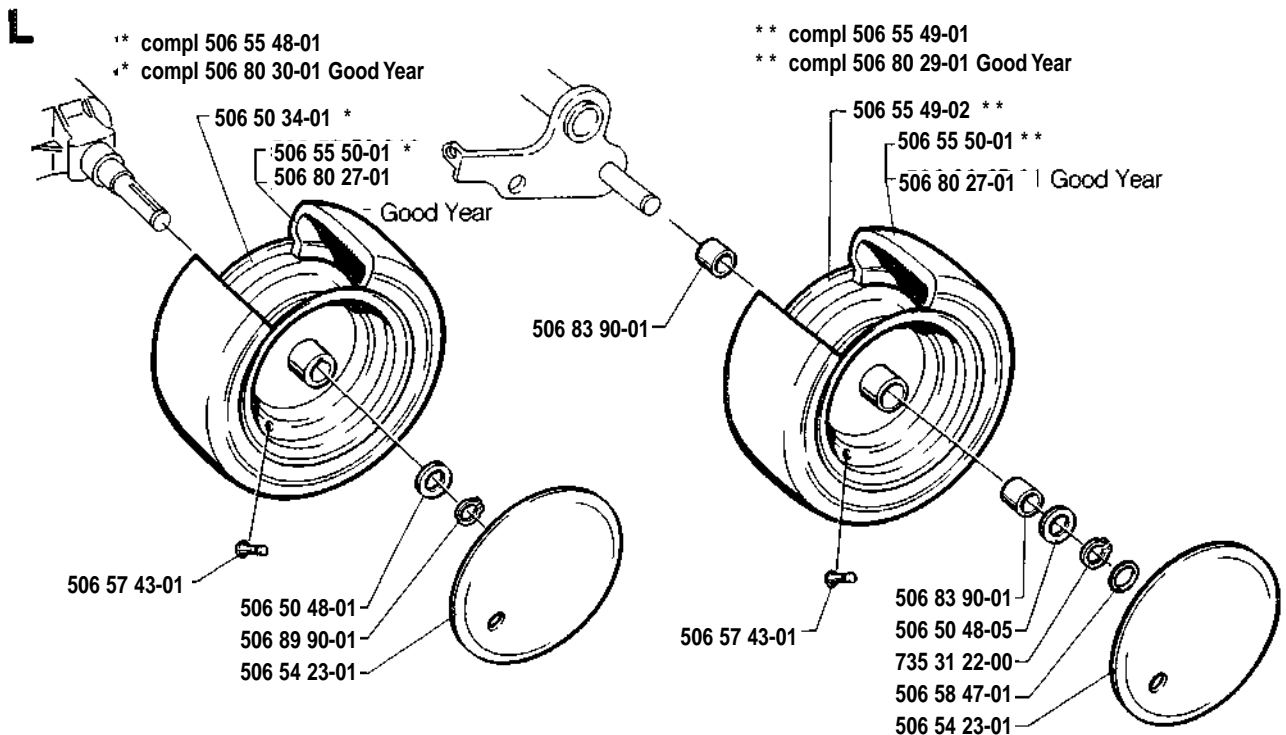
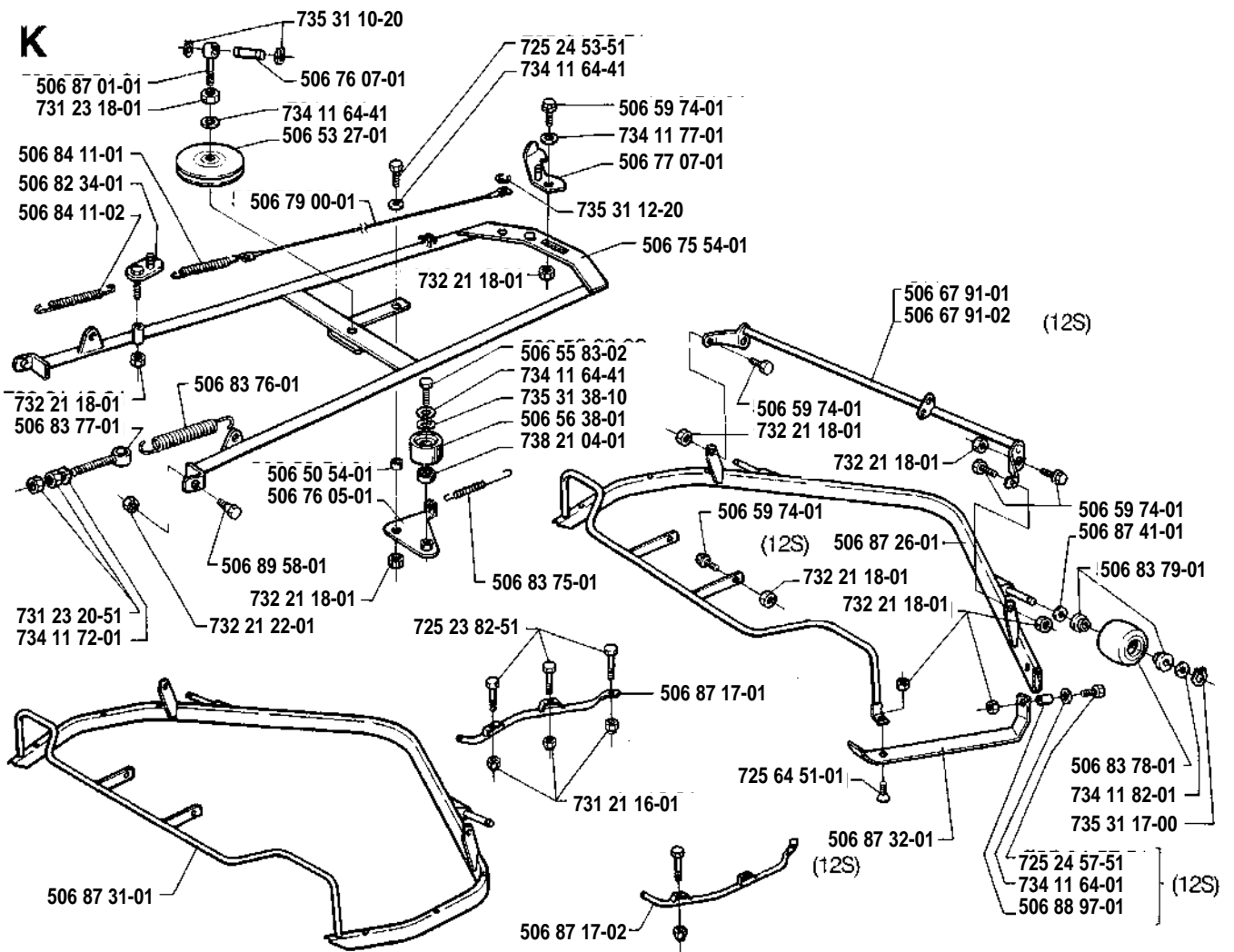


F

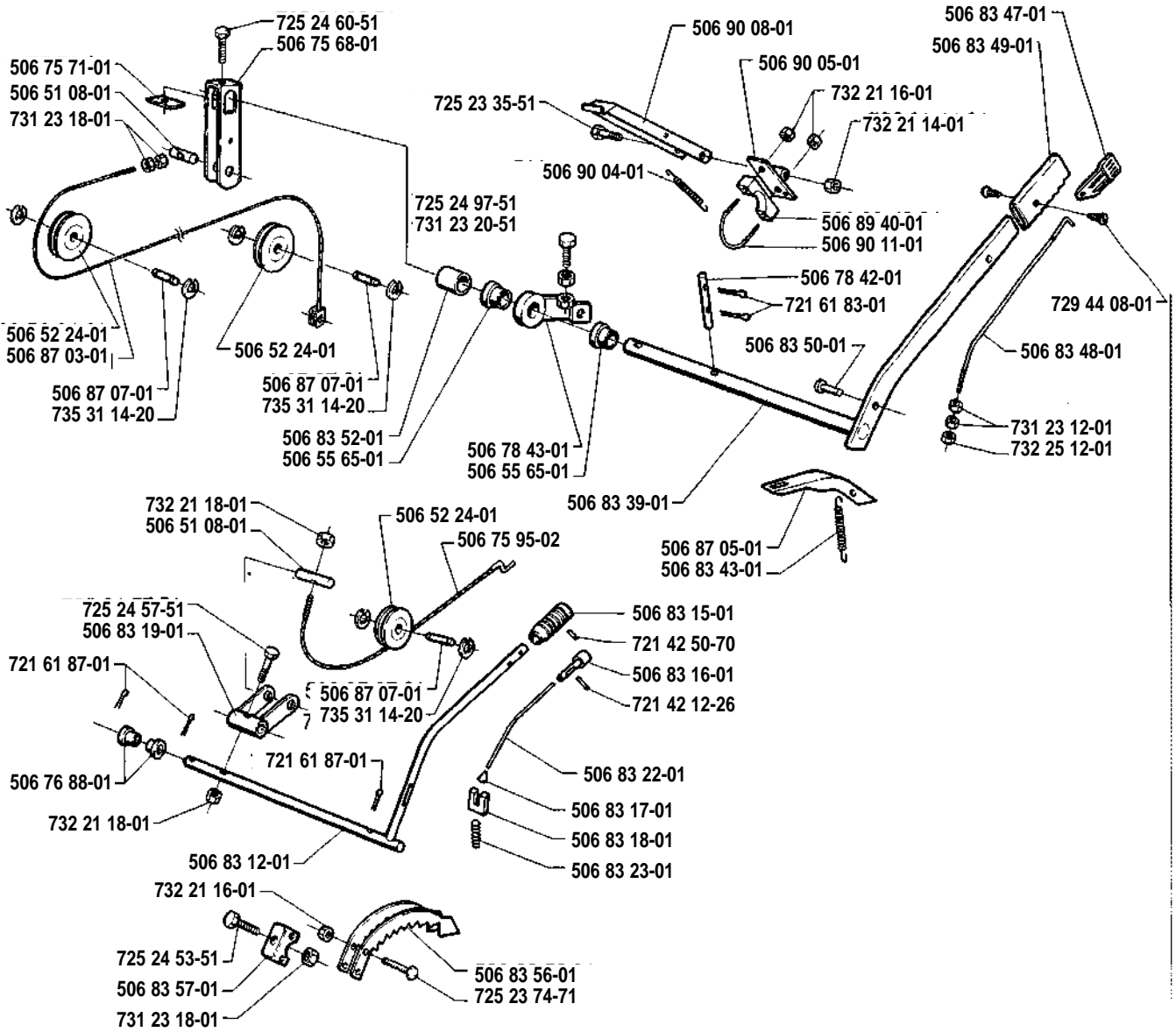


J

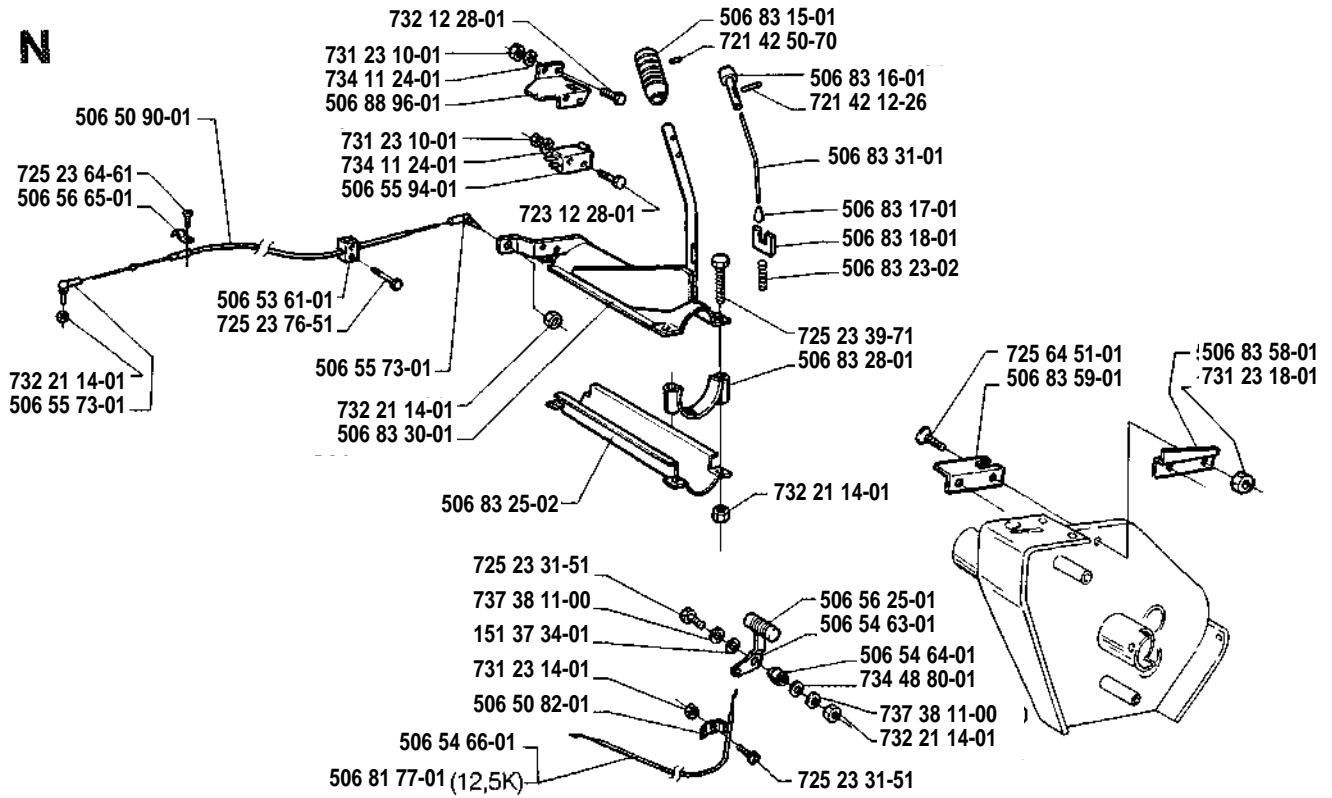




N



N



P

