

For Husqvarna Parts Call 606-678-9623 or 606-561-4983

**ILLUSTRATED PARTS BREAKDOWN**

**HUSQVARNA**

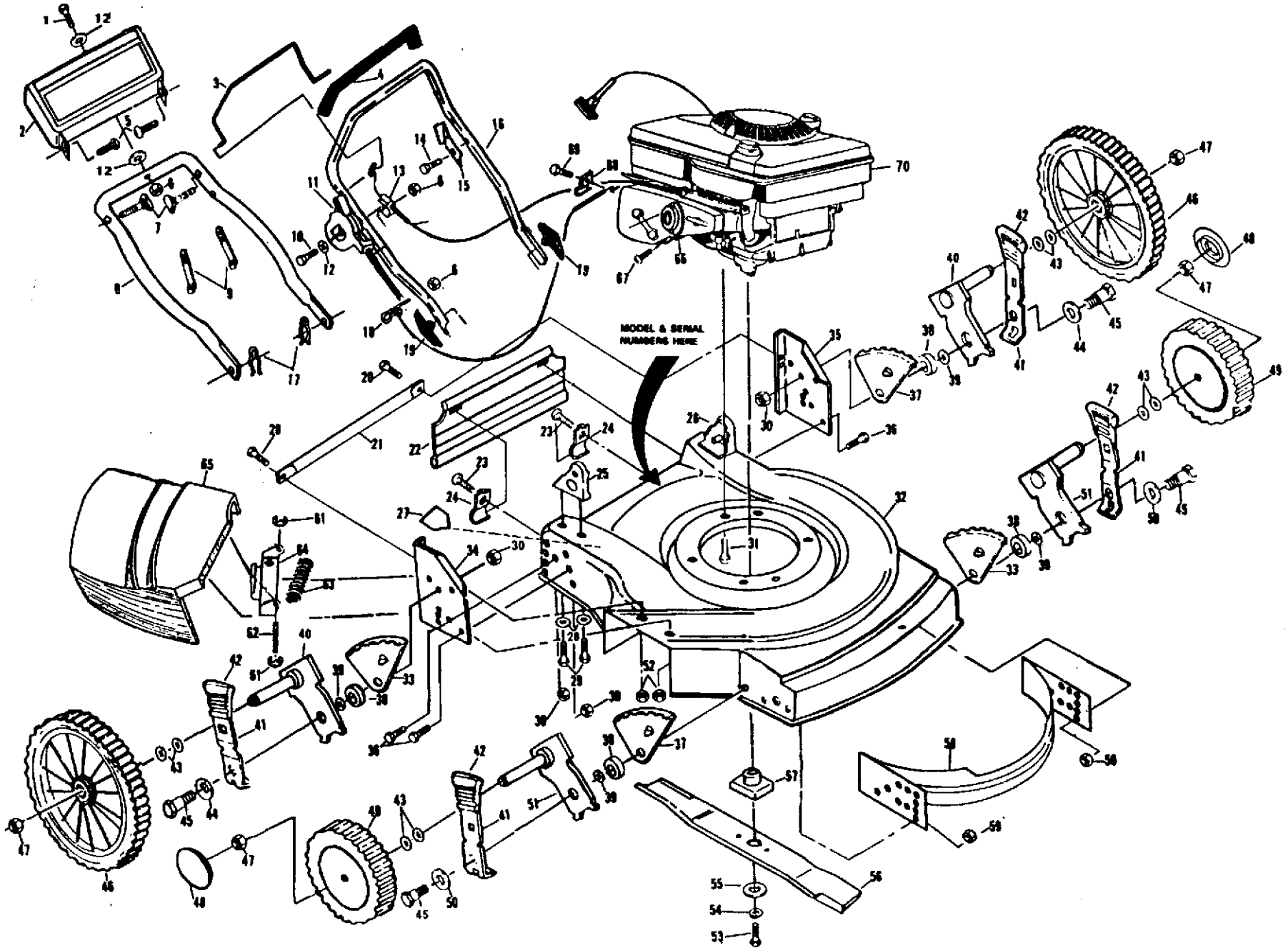
**22" ROTARY LAWN MOWER**

**MODEL NO. 56dh (H56DHB)**

**954 05 07-01**

# REPAIR PARTS

## 22" ROTARY LAWN MOWER - - MODEL NO. 56dh, PRODUCT NO. 954 05 07-01



# REPAIR PARTS

## 22" ROTARY LAWN MOWER - - MODEL NO. 56dh, PRODUCT NO. 954 05 07-01

KEY NO.	PART NO.	DESCRIPTION
1	532 08 54-36	Hex Head Washer Screw 1/4-20 x 1-1/2
2	532 80 05-47	Trim Plate
3	532 85 07-58	Control Bar
4	532 85 07-24	Handle Grip
5	532 03 69-53	Self-tapping Screw #10-24 x 5/8
6	532 06 36-01	Locknut 1/4-20
7	532 05 87-14	Handle Bolt 5/16-18 x 1-3/4
8	532 12 51-73	Lower Handle
9	532 06 64-26	Wire Tie
10	532 08 56-92	Machine Screw 1/4-20 x 2-1/8
11	532 85 14-64	Throttle Control
12	532 08 57-23	Washer
13	532 85 16-70	Engine Zone Control Cable
14	532 75 00-97	Hex Washer Head Screw #10-24 x 1/2
15	532 12 51-62	Up-Stop Bracket
16	532 12 51-71	Upper Handle
17	532 05 17-93	Hairpin Cotter
18	532 80 03-57	Rope Guide
19	532 06 36-88	Handle Knob
20	532 05 45-83	Self-tapping Screw 1/4-20 x 1/2
21	532 75 01-57	Support Rod
22	532 75 10-84	Rear Skirt
23	532 08 12-76	Hex Head Washer Screw #10-24 x 1/2
24	532 12 52-07	Skirt Bracket
25	532 12 50-47	Handle Bracket Assembly (Right)
26	532 12 50-49	Handle Bracket Assembly (Left)
27	532 10 73-39	Danger Decal
28	532 05 92-89	Washer
29	532 05 51-87	Thread Cutting Screw 5/16-18 x 1-3/4
30	532 06 23-36	Locknut 3/8-16
31	532 85 09-98	Thread Rolling Screw 3/8-16 x 1
32	532 80 14-93	Lawn Mower Housing (Includes Key No. 27)
33	532 80 03-68	Wheel Adjusting Bracket (LF/RR)
34	532 12 50-52	Wheel Support Bracket (Right)
35	532 12 50-53	Wheel Support Bracket (Left)
36	532 05 59-12	Hex Head Bolt 3/8-16 x 3/4
37	532 80 03-70	Wheel Adjusting Bracket (RF/LR)
38	532 08 49-20	Spacer
39	532 08 83-48	Washer

KEY NO.	PART NO.	DESCRIPTION
40	532 12 51-62	Axle Arm Assembly (Rear)
41	532 12 50-66	Selector Spring
42	532 07 78-65	Selector Knob
43	532 05 71-43	Washer
44	532 06 16-51	Washer
45	532 08 49-21	Shoulder Bolt 3/8-16
46	532 08 80-17	Wheel & Tire Assembly 14.0 x 2.0
47	532 08 39-23	Locknut
48	532 85 08-45	Hubcap
49	532 80 03-33	Wheel & Tire Assembly 8.0 x 2.0
50	532 06 23-35	Washer
51	532 12 50-61	Axle Arm Assembly (Front)
52	532 05 34-90	Locknut
53	532 85 10-84	Hex Head Screw 3/8-24 x 1-3/8 Gr. 8
54	532 85 02-63	Helical Washer 3/8
55	532 85 10-74	Hardened Washer
56	532 85 09-73	22" Blade
57	532 85 15-14	Blade Adapter
58	532 12 50-56	Front Baffle
59	532 07 44-00	Locknut 3/8-16
61	532 03 37-50	E-Ring
62	532 08 75-90	Hinge Rod
63	532 08 75-89	Torsion Spring
64	532 08 75-93	Housing Bracket Assembly
65	532 85 07-78	Discharge Guard
66	532 10 32-51	* Muffler Deflector
67	532 09 37-05	* Screw #8-32 x 3/8
68	532 21 31-46	* Cable Clamp
69	532 10 74-88	Thread Rolling Screw #10-32 x 5/8
70	-----	* Engine - Briggs & Stratton Model No. 124702 Type No. 3118-01
--	532 12 50-55	Rear Baffle (Not Shown)
--	532 80 16-76	Operator's Manual (English)
--	532 12 84-36	Operator's Manual (French)
--	532 80 05-69	Decal (Engine)
--	532 80 05-72	Decal (Housing)
--	532 85 07-88	Decal (Trim Plate)

\* These parts must be purchased through an authorized Briggs & Stratton dealer.