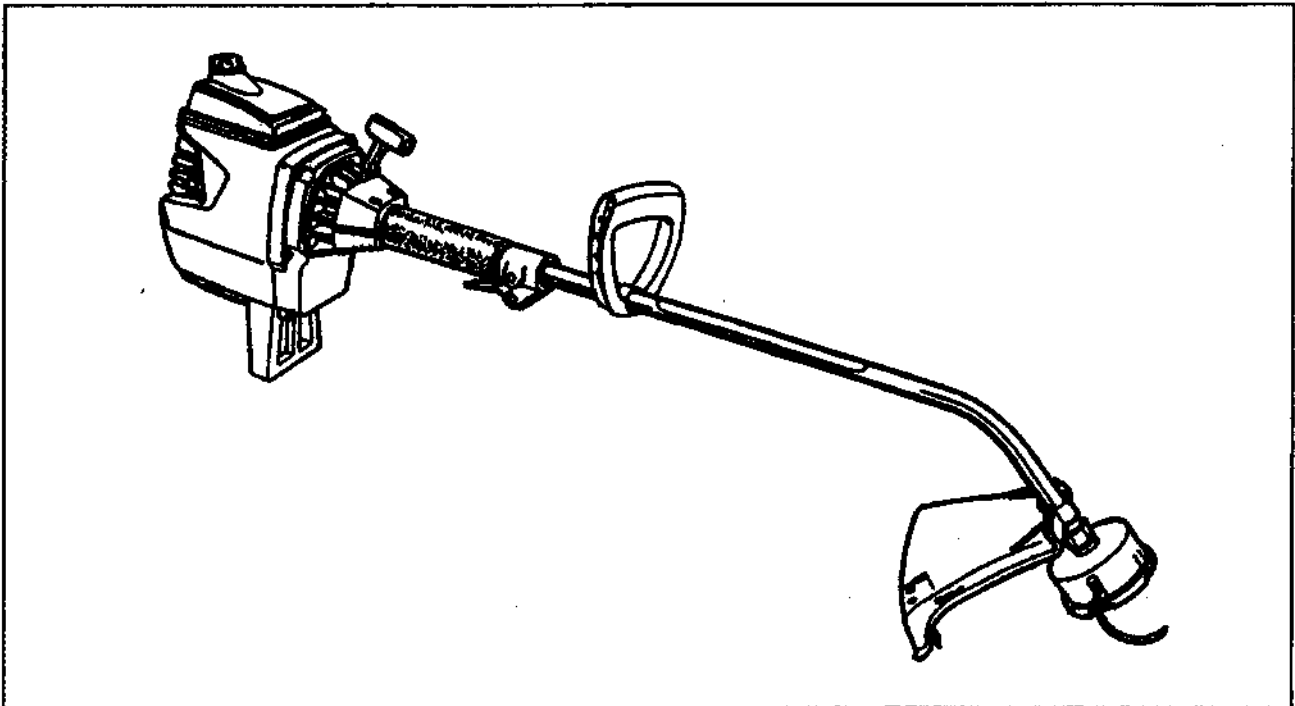




32 RLC

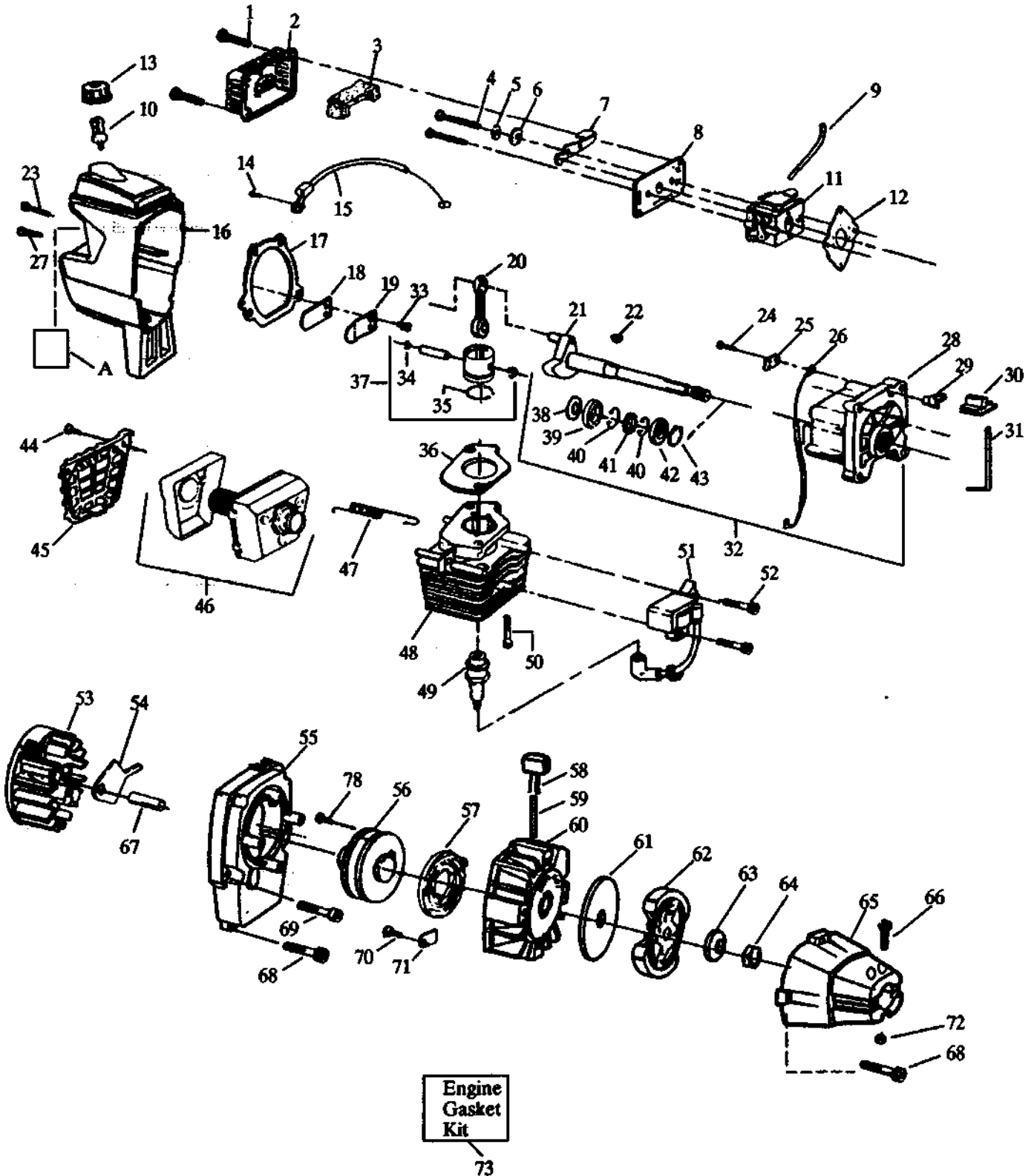


1.1990

Spare parts

Pièces détachées

PARTS LIST NO. 530-057648 - 12/15/89		HUSQVARNA PARTS LIST	Trimmer Model: 32RLC
Page No. 2	REPLACES NONE		



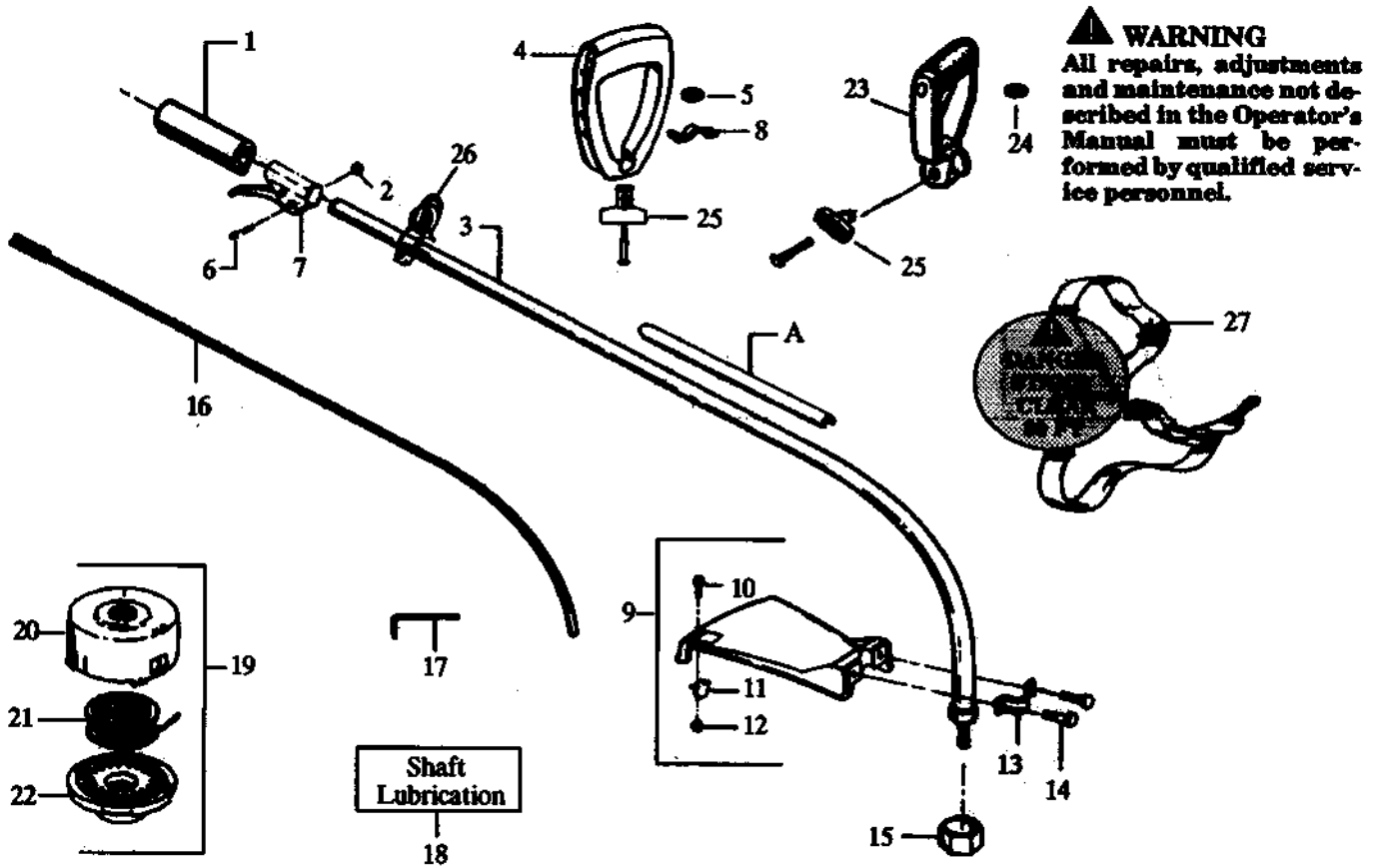
PARTS LIST NO. 530-067648 - 12/15/89		HUSQVARNA PARTS LIST	Trimmer Model: 32RLC
Page No. 3	REPLACES NONE		

Key No.	Part No.	Description	Key No.	Part No.	Description
1	530 01 57-73	Screw	44	530 01 57-17	Screw
2	530 02 75-29	Air Filter Cover	45	530 02 77-81	Muffler Guard
3	530 02 75-30	Air Filter	46	530 06 92-57	Muffler Kit
4	530 01 58-49	Screw	47	530 02 49-03	Muffler Attachment Spring
5	530 02 75-28	Spacer	48	530 01 22-38	Cylinder
6	530 01 52-54	Wave Washer	49	530 03 00-58	Spark Plug
7	530 02 75-26	Choke Shutter	50	530 01 52-39	Screw
8	530 02 75-27	Air Filter Plate	51	530 03 91-34	Ignition Module Kit
9	530 06 92-47	Fuel Line Kit	52	530 01 51-28	Screw
10	530 01 08-97	Fuel Pick-up Ass'y.	53	530 03 91-36	Flywheel Ass'y.
11	530 03 52-59	Carburetor (WA-199)	54	530 02 75-72	Flywheel Counterweight
12	530 01 91-56	Carburetor Gasket	55	530 02 91-89	Fan Housing
13	530 01 08-07	Fuel Cap Ass'y.	56	530 06 92-91	Starter Pulley
14	530 01 57-75	Screw	57	530 02 75-31	Starter Spring
15	530 02 75-49	Throttle Cable Ass'y.	58	530 02 75-69	Starter Handle
16	530 02 91-88	Shroud & Tank Ass'y.	59	530 06 92-32	Rope Kit
17	530 01 9154	Crankcase/Shroud Gasket	60	530 01 41-14	Pulley Housing Ass'y.
18	530 02 75-93	Reed	61	530 09 41-89	Clutch Washer
19	530 02 72-94	Reed Stop	62	530 06 92-54	Clutch
20	530 01 09-60	Connecting Rod Ass'y. (Incl. Bearings)	63	530 01 57-96	Washer
21	530 01 09-34	Crankshaft Ass'y.	64	530 00 17-33	Nut
22	530 01 51-26	Flywheel Key	65	530 01 41-15	Clutch Housing
23	530 01 57-72	Screw	66	530 01 57-67	Screw
24	530 01 57-80	Screw	67	530 02 75-11	Spacer
25	530 02 75-46	Kill Switch Insulator	68	530 01 57-70	Screw
26	530 02 75-47	Lead Wire	69	530 01 57-69	Screw
27	530 01 57-71	Screw	70	530 01 54-96	Screw
28	530 01 40-16	Crankcase Ass'y. (Incl. #39-42)	71	530 02 75-23	Retainer
29	530 02 75-45	Kill Switch Ramp	72	530 01 57-68	Locknut
30	530 02 79-58	Kill Switch Button	73	530 06 92-76	Engine Gasket Kit (†Indicates Contents)
31	530 02 79-59	Kill Switch Spring	78	530 01 58-23	Screw (Incl. in Starter Pulley Kit)
32	530 01 50-15	Crankcase & Crankshaft Ass'y (#21, 28, 38 & 43)			
33	530 01 52-41	Screw			
34	530 01 51-62	Piston Pin Retainer	A	530 02 94-08	Instruction Decal
35	530 02 58-75	Piston Ring			
36	530 01 91-61	Cylinder Gasket			
37	530 06 92-77	Piston Kit (Incl. #34,35 & pin)			
38	530 01 57-88	Spacer	Not Shown		
39	530 03 21-03	Inner Bearing			
40	530 01 57-87	Retaining Ring			
41	530 01 91-58	Crankshaft Seal		530 06 12-43	Carton
42	530 03 21-02	Outer Bearing		530 01 51-91	Ass'y. Parts Bag
43	530 01 57-89	Crankshaft Retaining Ring			

† - Engine Gasket Kit Contents

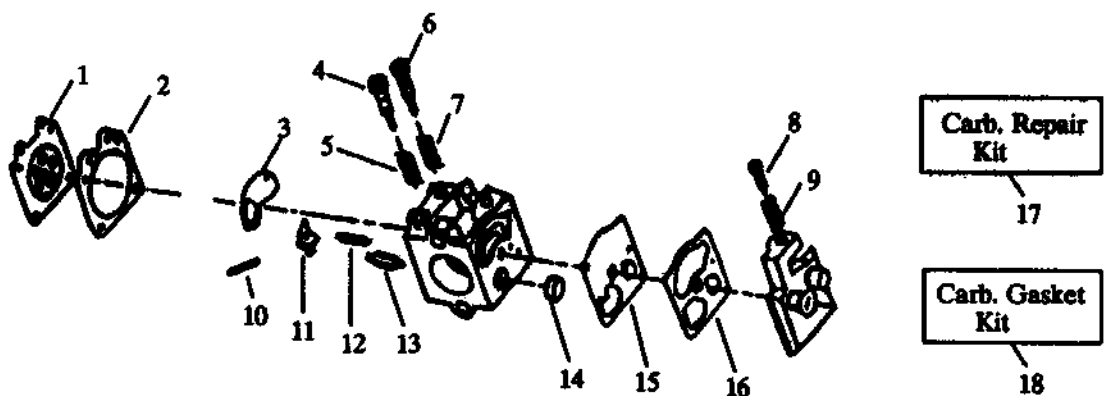
☆☆☆☆ - Service Reference

PARTS LIST NO. 530-067648 - 12/15/89		HUSQVARNA PARTS LIST	Trimmer Model: 32RLC
Page No. 1	REPLACES NONE		



PARTS LIST NO. 530-067648 - 12/15/89		HUSQVARNA PARTS LIST	Trimmer Model: 32RLC
Page No. 4	REPLACES NONE		

Carburetor Assembly Part Number 530-035259 WA-199



Key No.	Part No.	Description	Key No.	Part No.	Description
1	530 02 75-95	Grip	21	952 70 85-28	Spool w/Line
2	530 01 57-68	Nut	22	530 09 44-94	Cover
3	530 09 46-41	Drive Shaft Housing	23	530 01 09-57	Handle
4	530 01 42-22	Handle Ass'y.	24	530 01 51-97	Nut
5	530 01 56-10	Bolt	25	530 06 92-52	"T" Handle Ass'y.
6	530 01 57-74	Screw	26	530 09 46-86	Clamp Harness Ass'y.
7	530 01 09-59	Throttle Housing Ass'y.	27	530 09 46-38	Shoulder Strap
8	530 09 47-42	Clamp			
9	530 06 92-49	Shield Kit Ass'y. (Incl. #10,11,12 & 14)			
10	530 01 53-37	Screw			
11	530 09 45-70	Line Limiter	A	530 02 91-64	Shaft Warning Decal
12	530 01 56-53	Locknut			
13	530 09 36-53	Shield Bracket			
14	530 09 22-43	Screw			
15	530 09 45-43	Dust Cup	Not Shown		
16	530 09 45-41	Drive Shaft			
17	530 03 11-11	Hex Wrench (5/32)			
18	530 03 01-02	Shaft Lubrication			
19	952 70 85-27	Cutting Head Ass'y.		530 06 76-46	Operator's Manual
20	530 09 46-20	Hub Ass'y.			

For Husqvarna Parts Call 606-678-9623 or 606-561-4983

Key No.	Part No.	Description	Key No.	Part No.	Description
1	530 03 50-14	* + Metering Diaphragm	11	530 03 50-31	* Metering Lever
2	530 03 51-51	* + Metering Diaphragm Gasket	12	530 03 51-88	* Metering Lever Spring
3	530 03 51-47	* + Circuit Plate Gasket	18	530 03 51-06	* Inlet Needle Valve
4	530 03 51-42	Hi Speed Needle	14	530 03 51-78	* Inlet Screen
5	530 03 50-36	Hi Speed Needle Spring	15	530 03 51-66	* + Pump Diaphragm
6	530 03 51-41	Idle Needle	16	530 03 51-64	* + Pump Gasket
7	530 03 50-23	Idle Needle Spring	17	530 03 52-60	Carb. Kwik Repair Kit (*Indicates Contents)
8	530 03 52-03	Idle Speed Screw			Carb. Gasket/Diaphragm Kit (+ Indicates Contents)
9	530 03 52-08	Idle Speed Spring	18	530 03 51-85	
10	530 03 50-28	* Metering Lever Pin			