

IPL, 339 XP, 2004-01, 106 29 65-62

339XP

Spare parts

Ersatzteile

Pièces détachées

Reserve onderdelen

Repuestos

Reservdelar

Replaces

Ersetzt

Remplace

Vervangt

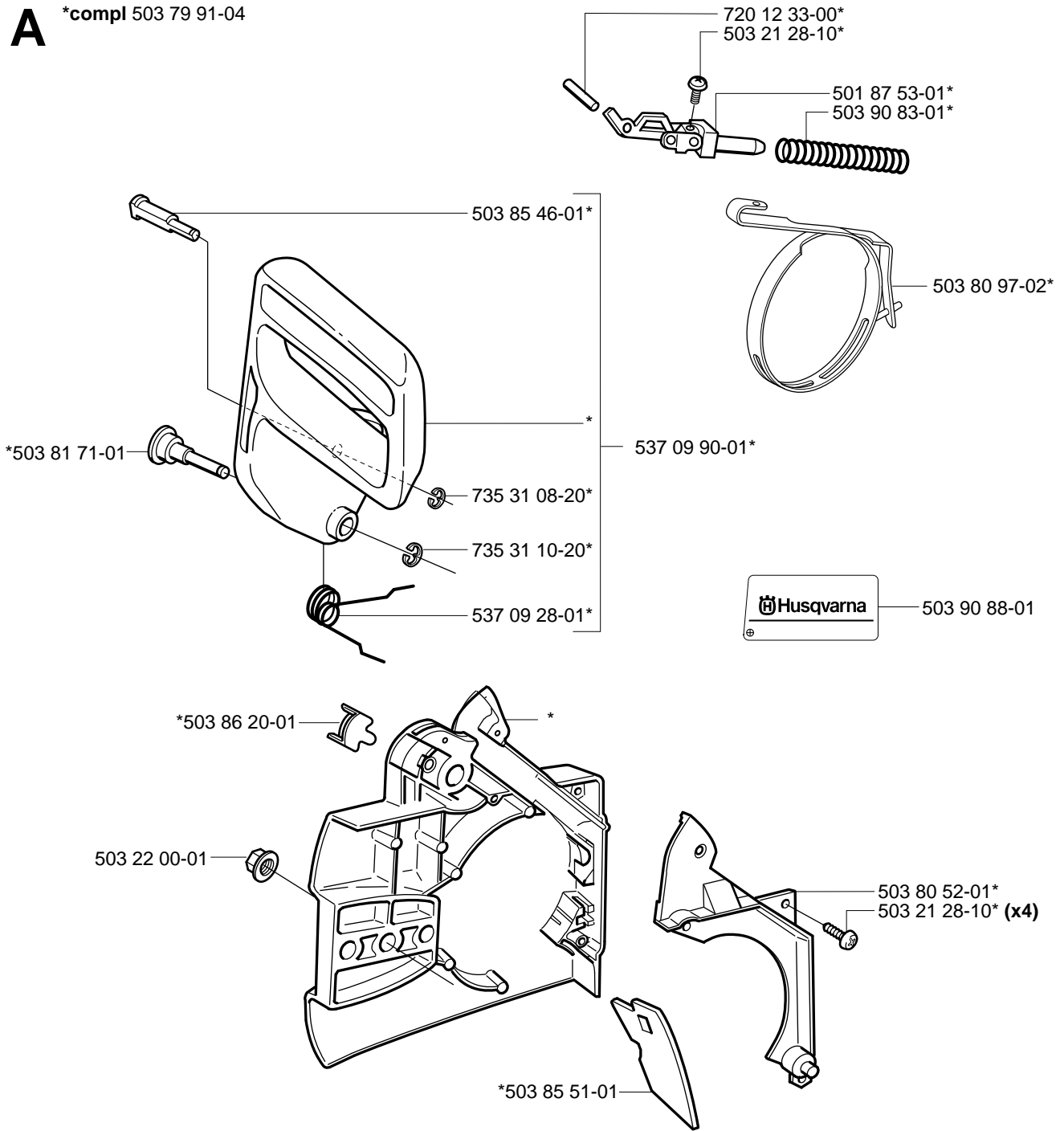
Reemplaza

Ersätter

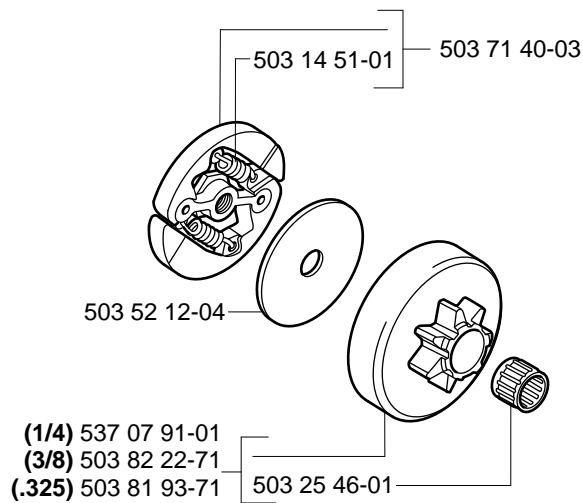
106 29 65-61

A

*compl 503 79 91-04



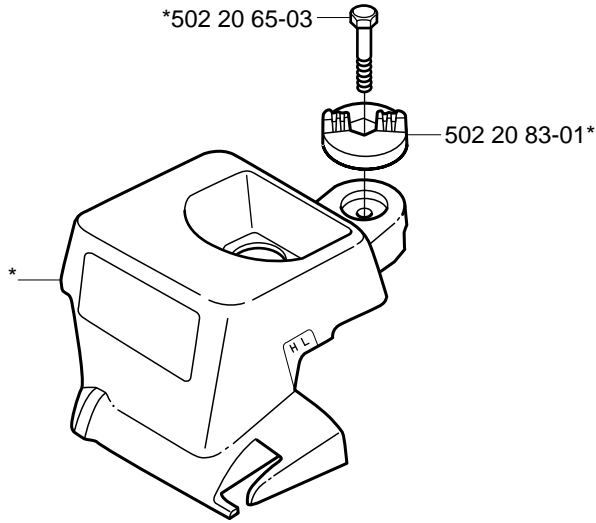
B



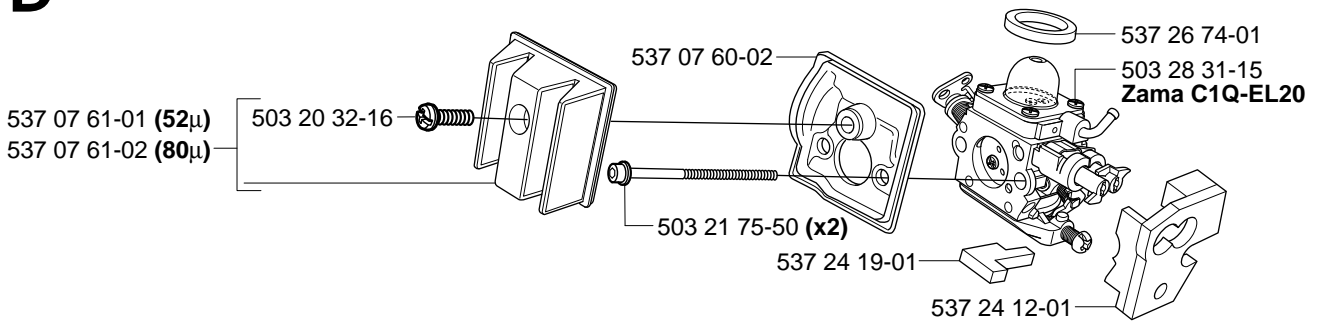
C

*compl 537 13 59-03

*502 20 65-03

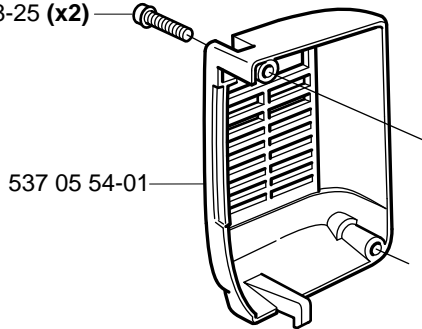


D

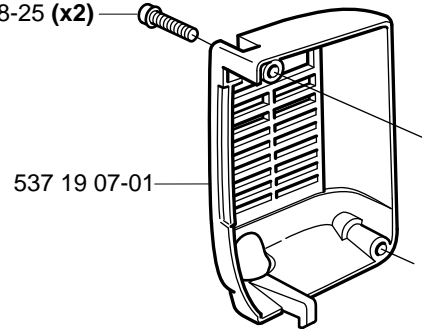


E

503 21 58-25 (x2)



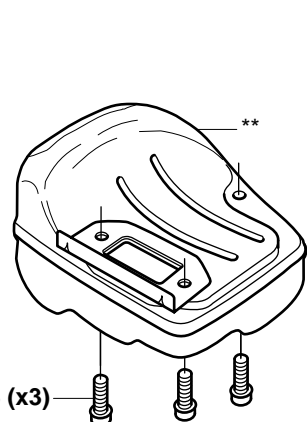
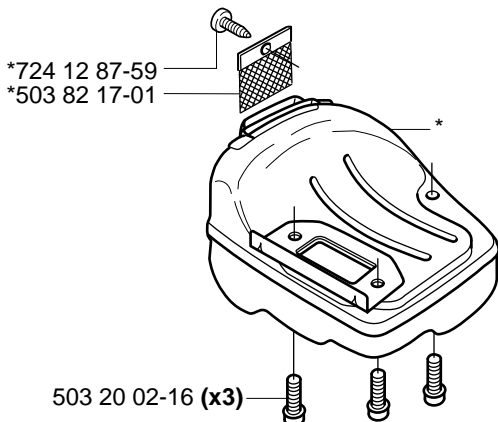
503 21 58-25 (x2)



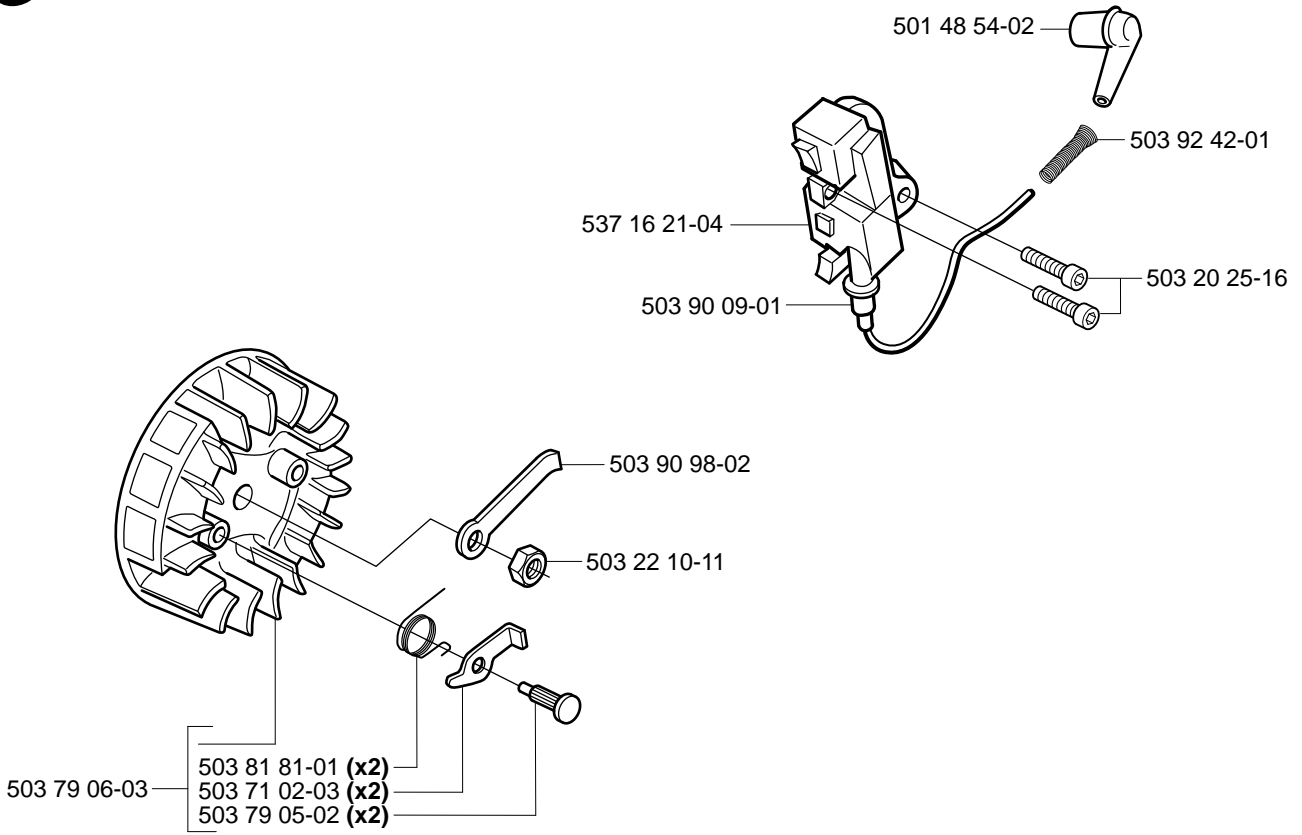
F

*compl 503 93 03-03

**compl 537 19 50-01

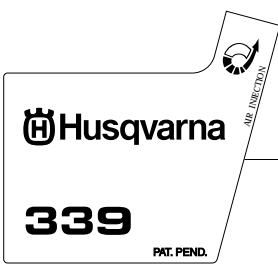
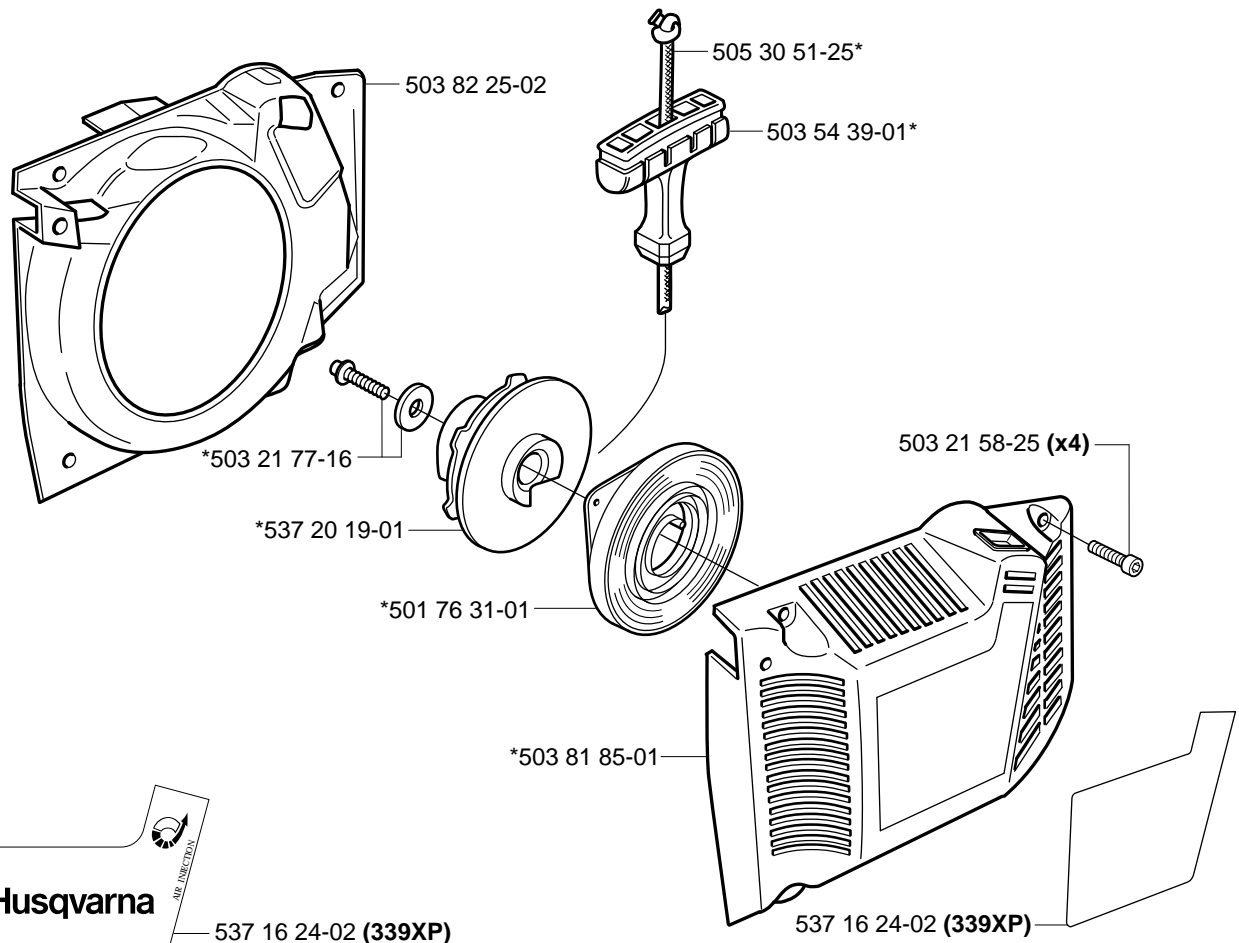


G



H

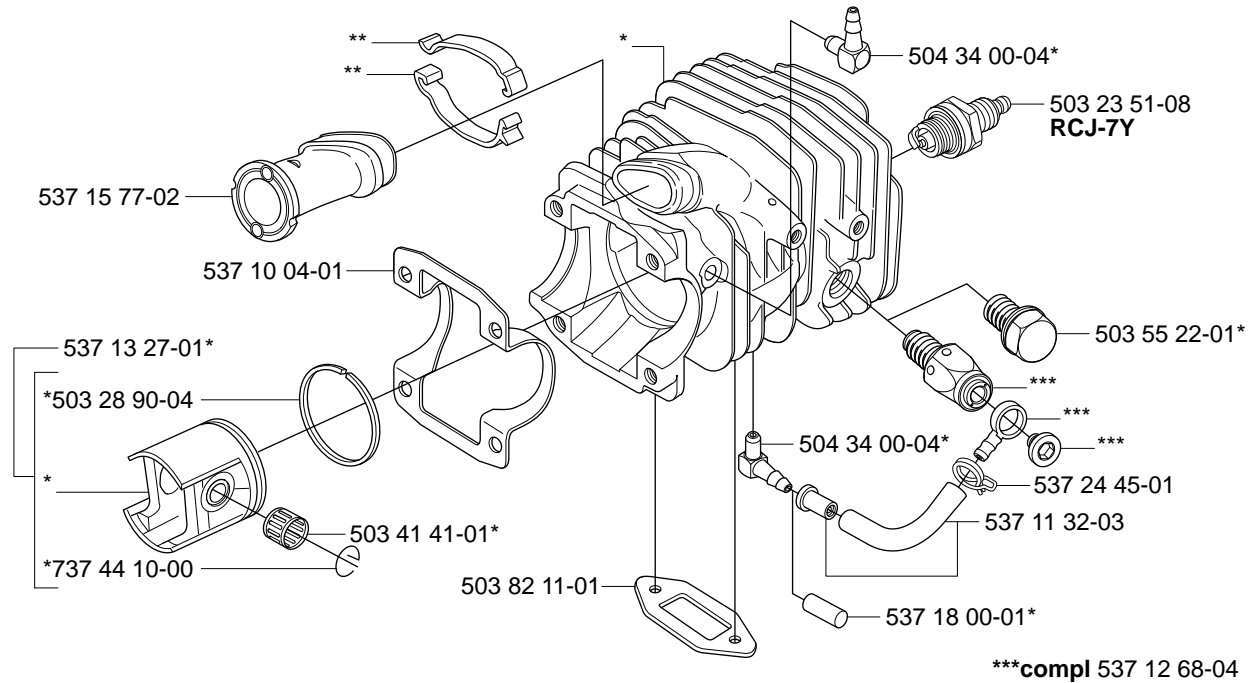
*compl 503 79 25-02



J

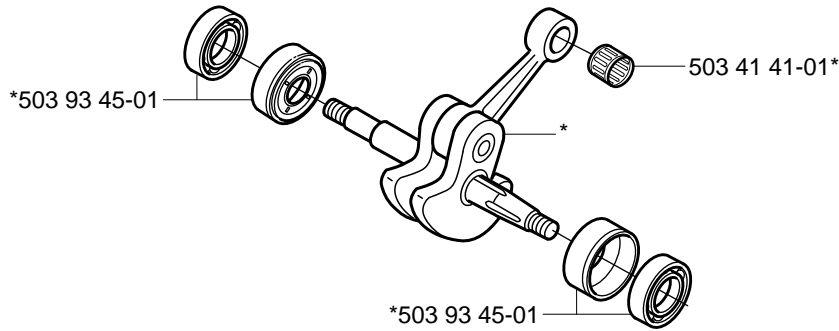
*compl 537 13 20-01

**compl 537 16 73-01



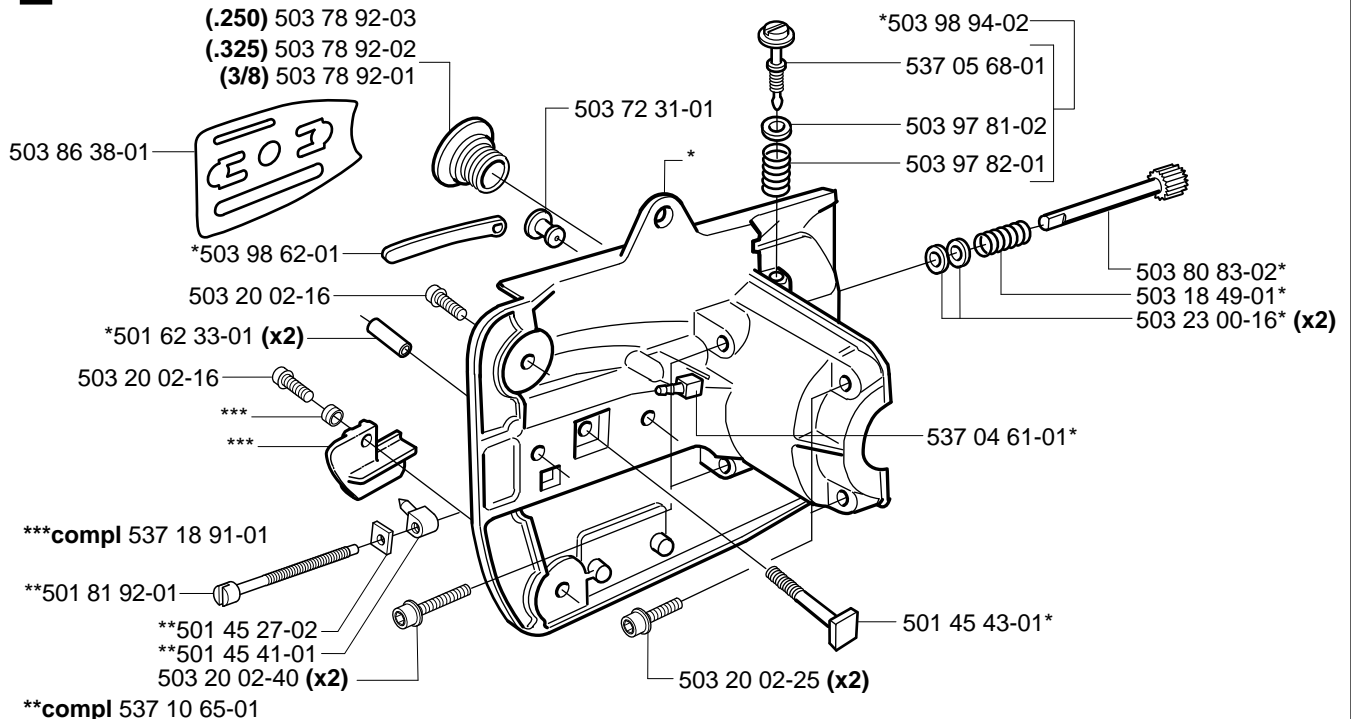
K

*compl 503 84 53-72

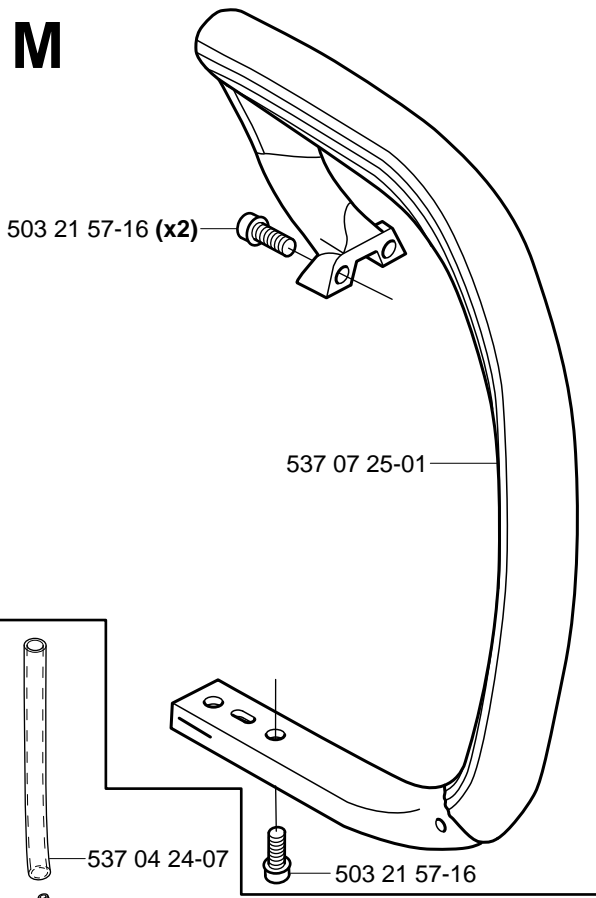


L

*compl 503 79 22-04

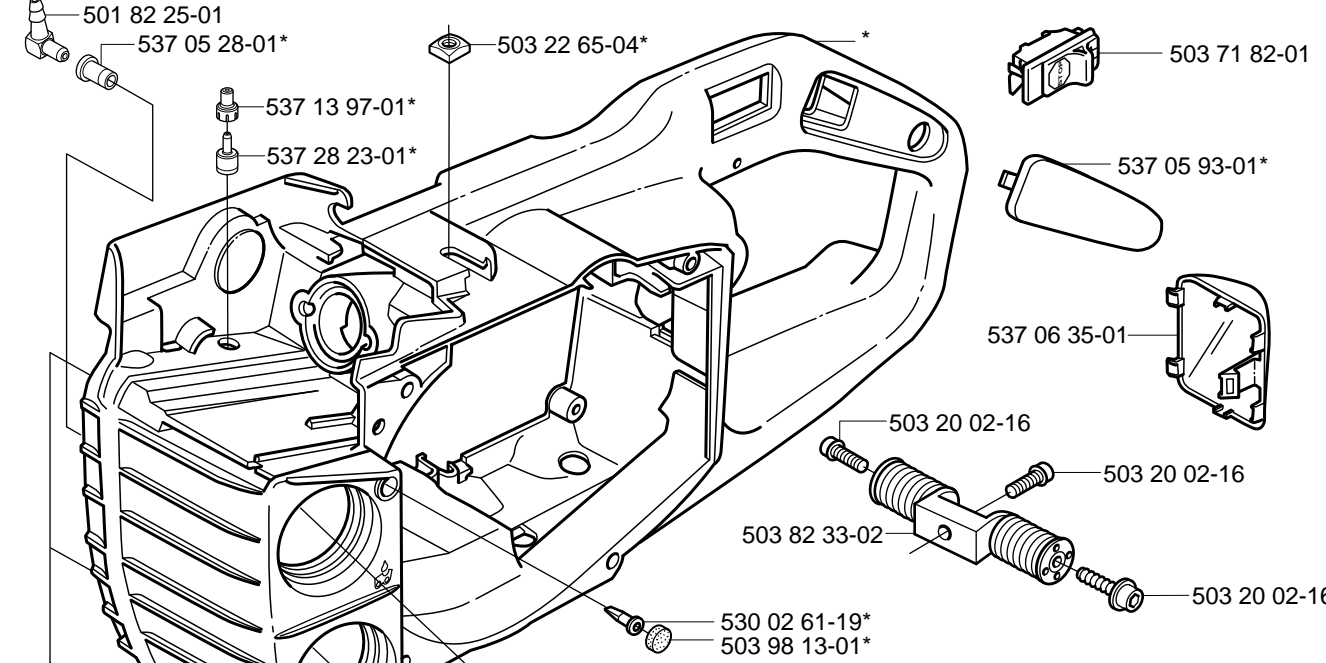
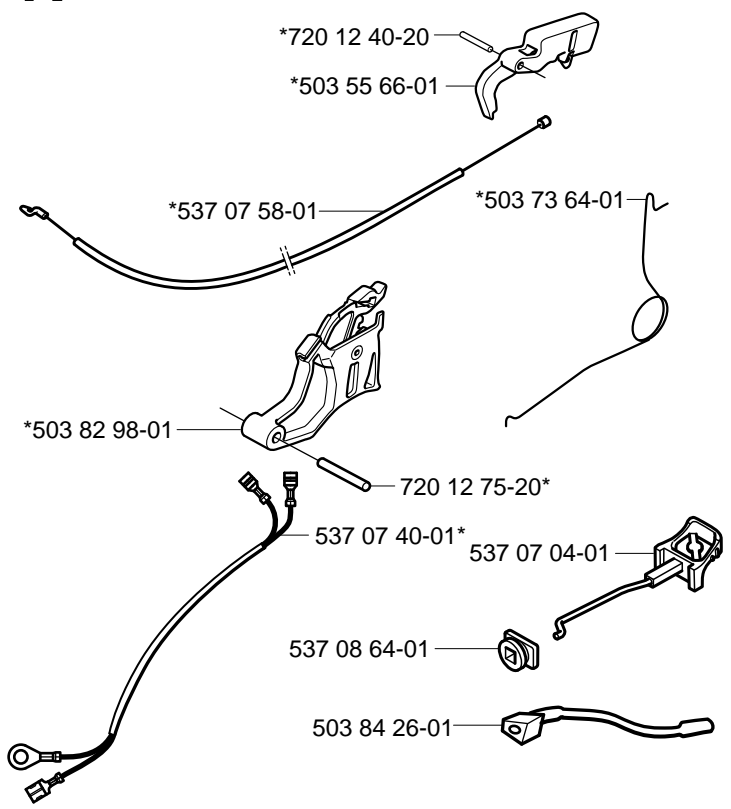


M



N

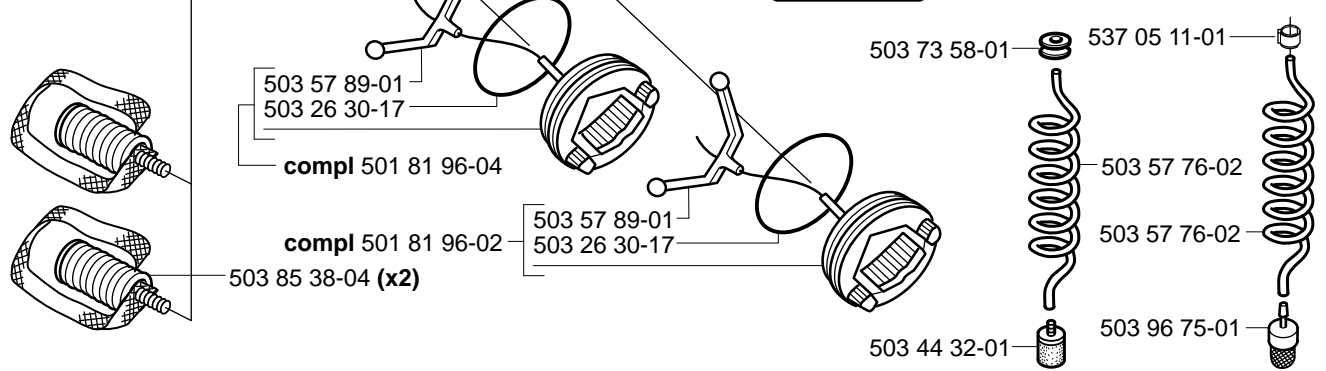
*compl 537 08 89-03



*503 98 74-01

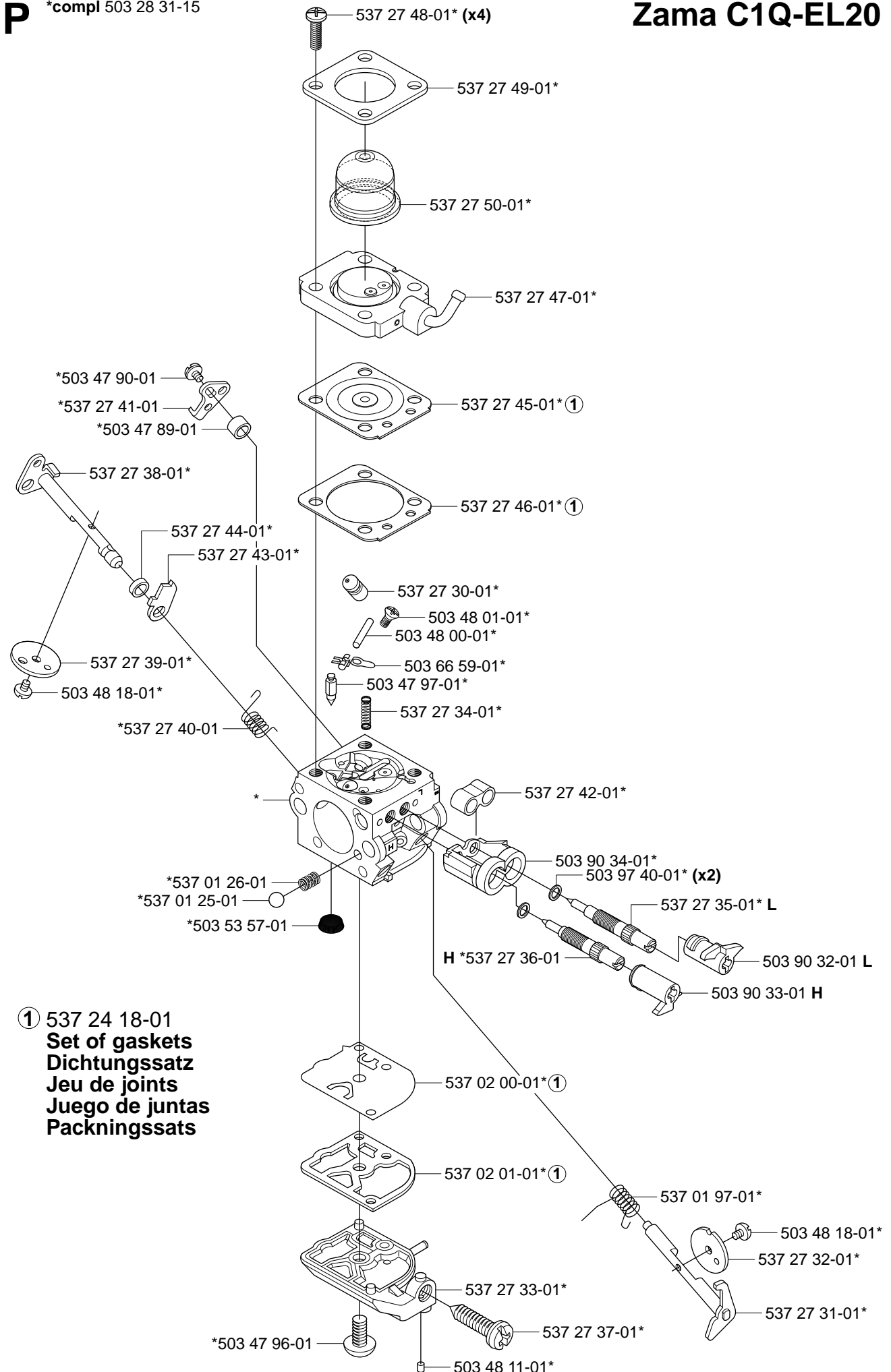
537 12 76-01 OFF ↔ ON
(JP only)

537 09 80-01 LITE
(JP only)



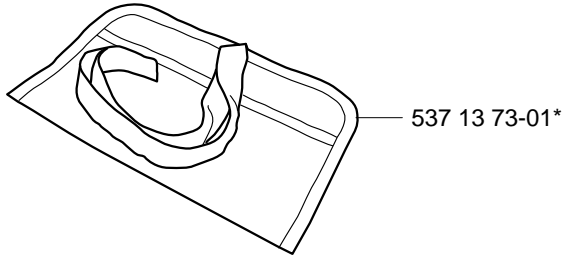
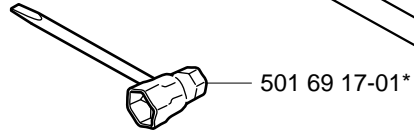
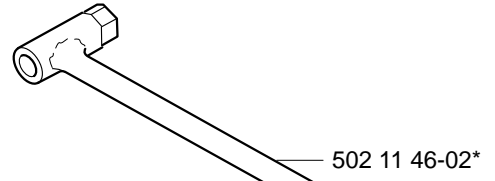
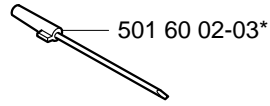
P *compl 503 28 31-15

Zama C1Q-EL20

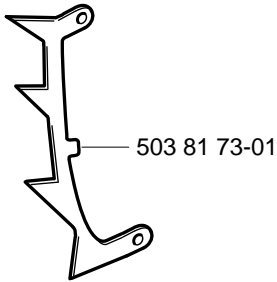
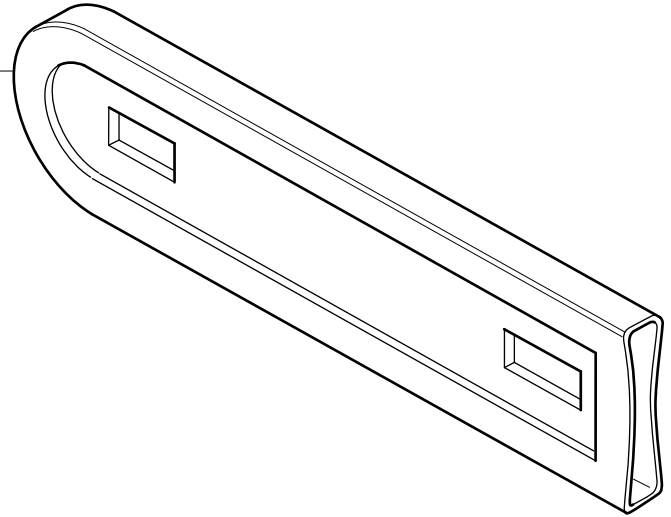


Q Accessories
Zubehöre
Accessoires
Acessorios
Tillbehör

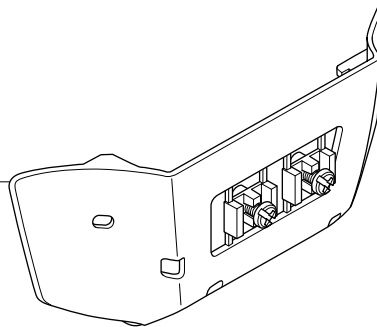
*compl 537 09 92-01



501 83 44-09



compl 537 11 41-01



For Husqvarna Parts Call 606-678-9623 or 606-561-4983

PART NUMBER	SQUARE NOTE	PART NUMBER	SQUARE NOTE	PART NUMBER	SQUARE NOTE	PART NUMBER	SQUARE NOTE
501 45 27-02	L	503 57 89-01	N	537 05 68-01	L	735 31 08-20	A
501 45 41-01	L	503 66 59-01	P	537 05 93-01	N	735 31 10-20	A
501 45 43-01	L	503 71 02-03	G	537 06 35-01	N	737 44 10-00	J
501 48 54-02	G	503 71 40-03	B	537 07 04-01	N		
501 60 02-03	Q	503 71 82-01	N	537 07 25-01	M		
501 62 33-01	L	503 72 31-01	L	537 07 25-01	N		
501 69 17-01	Q	503 73 58-01	N	537 07 40-01	N		
501 76 31-01	H	503 73 64-01	N	537 07 58-01	N		
501 81 92-01	L	503 78 92-01	L	537 07 60-02	D		
501 81 96-02	N	503 78 92-02	L	537 07 61-01	D		
501 81 96-04	N	503 78 92-03	L	537 07 61-02	D		
501 82 25-01	N	503 79 05-02	G	537 07 91-01	B		
501 83 44-09	Q	503 79 06-03	G	537 08 64-01	N		
501 87 53-01	A	503 79 22-04	L	537 08 89-03	N		
502 11 46-02	Q	503 79 25-02	H	537 09 28-01	A		
502 20 65-03	C	503 79 91-04	A	537 09 80-01	N		
502 20 83-01	C	503 80 52-01	A	537 09 90-01	A		
503 14 51-01	B	503 80 83-02	L	537 09 92-01	Q		
503 18 49-01	L	503 80 97-02	A	537 10 04-01	J		
503 20 02-16	F	503 81 71-01	A	537 10 65-01	L		
503 20 02-16	L	503 81 73-01	Q	537 11 32-03	J		
503 20 02-16	L	503 81 81-01	G	537 11 41-01	Q		
503 20 02-16	N	503 81 85-01	H	537 12 68-04	J		
503 20 02-16	N	503 81 93-71	B	537 12 76-01	N		
503 20 02-16	N	503 82 11-01	J	537 13 20-01	J		
503 20 02-25	L	503 82 17-01	F	537 13 27-01	J		
503 20 02-40	L	503 82 22-71	B	537 13 59-03	C		
503 20 25-16	G	503 82 25-02	H	537 13 73-01	Q		
503 20 32-16	D	503 82 33-02	N	537 13 97-01	M		
503 21 28-10	A	503 82 98-01	N	537 15 77-02	J		
503 21 28-10	A	503 84 26-01	N	537 16 54-04	G		
503 21 57-16	M	503 84 53-72	K	537 16 24-02	H		
503 21 57-16	N	503 85 38-04	N	537 16 24-02	H		
503 21 57-16	N	503 85 46-01	A	537 16 73-01	J		
503 21 58-25	E	503 85 51-01	A	537 18 00-01	J		
503 21 58-25	E	503 86 20-01	A	537 18 91-01	L		
503 21 58-25	H	503 86 38-01	L	537 19 07-01	E		
503 21 75-50	D	503 90 09-01	G	537 19 50-01	F		
503 21 77-16	H	503 90 32-01	P	537 20 19-01	H		
503 22 00-01	A	503 90 33-01	P	537 24 12-01	D		
503 22 10-11	G	503 90 34-01	P	537 24 18-01	P		
503 22 65-04	N	503 90 83-01	A	537 24 19-01	D		
503 23 00-16	L	503 90 88-01	A	537 24 45-01	J		
503 23 51-08	J	503 90 98-02	G	537 26 74-01	D		
503 25 46-01	B	503 92 42-01	G	537 27 30-01	P		
503 26 30-17	N	503 93 03-03	F	537 27 31-01	P		
503 26 30-17	N	503 93 45-01	K	537 27 32-01	P		
503 28 31-15	D	503 93 45-01	K	537 27 33-01	P		
503 28 31-15	P	503 96 75-01	N	537 27 34-01	P		
503 28 90-04	J	503 97 40-01	P	537 27 35-01	P		
503 41 41-01	J	503 97 81-02	L	537 27 36-01	P		
503 41 41-01	K	503 97 82-01	L	537 27 37-01	P		
503 44 32-01	N	503 98 13-01	N	537 27 38-01	P		
503 47 89-01	P	503 98 62-01	L	537 27 39-01	P		
503 47 90-01	P	503 98 74-01	N	537 27 40-01	P		
503 47 96-01	P	503 98 94-02	L	537 27 41-01	P		
503 47 97-01	P	504 34 00-04	J	537 27 42-01	P		
503 48 00-01	P	504 34 00-04	J	537 27 43-01	P		
503 48 01-01	P	505 30 51-25	H	537 27 44-01	P		
503 48 11-01	P	530 02 61-19	N	537 27 45-01	P		
503 48 18-01	P	537 01 25-01	P	537 27 46-01	P		
503 48 18-01	P	537 01 26-01	P	537 27 47-01	P		
503 52 12-04	B	537 01 97-01	P	537 27 48-01	P		
503 53 57-01	P	537 02 00-01	P	537 27 49-01	P		
503 54 39-01	H	537 02 01-01	P	537 27 50-01	P		
503 55 22-01	J	537 04 24-07	N	537 28 23-01	N		
503 55 66-01	N	537 04 61-01	L	720 12 33-00	A		
503 57 76-02	N	537 05 11-01	N	720 12 40-20	N		
503 57 76-02	N	537 05 28-01	N	720 12 75-20	N		
503 57 89-01	N	537 05 54-01	E	724 12 87-59	F		

Set of gaskets, Dichtungssatz,
Jeu de joints, Juego de juntas,
Packningssats

N = New part, Neues teil,
Nouvelle piece, Nueva pieza
Ny detalj