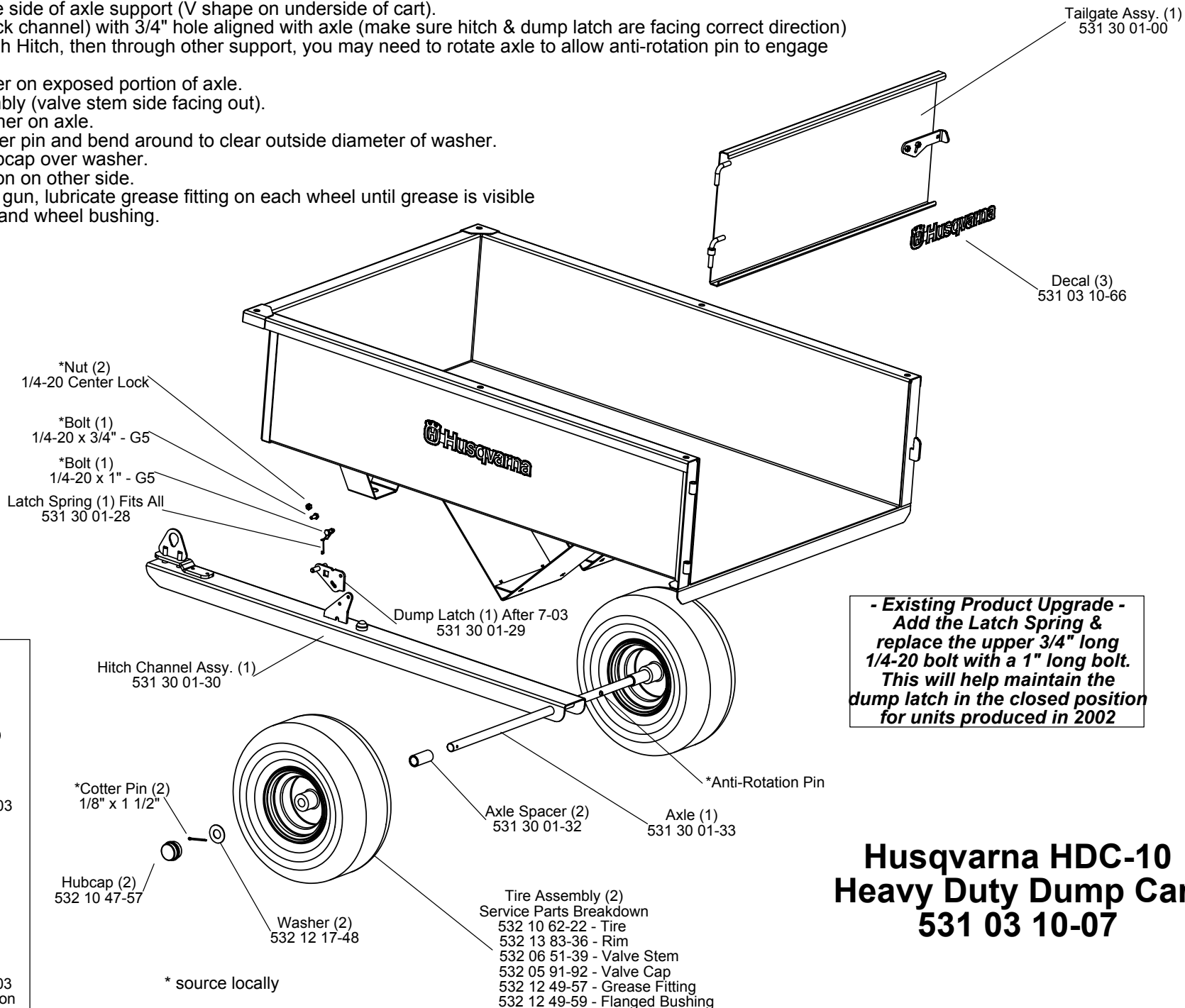


Assembly Instructions

1. Remove all parts from box.
2. Place axle in one side of axle support (V shape on underside of cart).
3. Install Hitch (black channel) with 3/4" hole aligned with axle (make sure hitch & dump latch are facing correct direction)
Slide axle through Hitch, then through other support, you may need to rotate axle to allow anti-rotation pin to engage properly.
4. Install axle spacer on exposed portion of axle.
5. Install tire assembly (valve stem side facing out).
6. Install large washer on axle.
7. Install large cotter pin and bend around to clear outside diameter of washer.
8. Install plastic hubcap over washer.
9. Repeat installation on other side.
10. Using a grease gun, lubricate grease fitting on each wheel until grease is visible between axle and wheel bushing.

www.mymowerparts.com



Dump Latch - Units produced prior to July-2003
531 30 01-31

Dump Latch - Units produced after July-2003
Will not fit prior production

**Husqvarna HDC-10
Heavy Duty Dump Cart
531 03 10-07**

For Husqvarna Parts Call 606-678-9623 or 606-561-4983