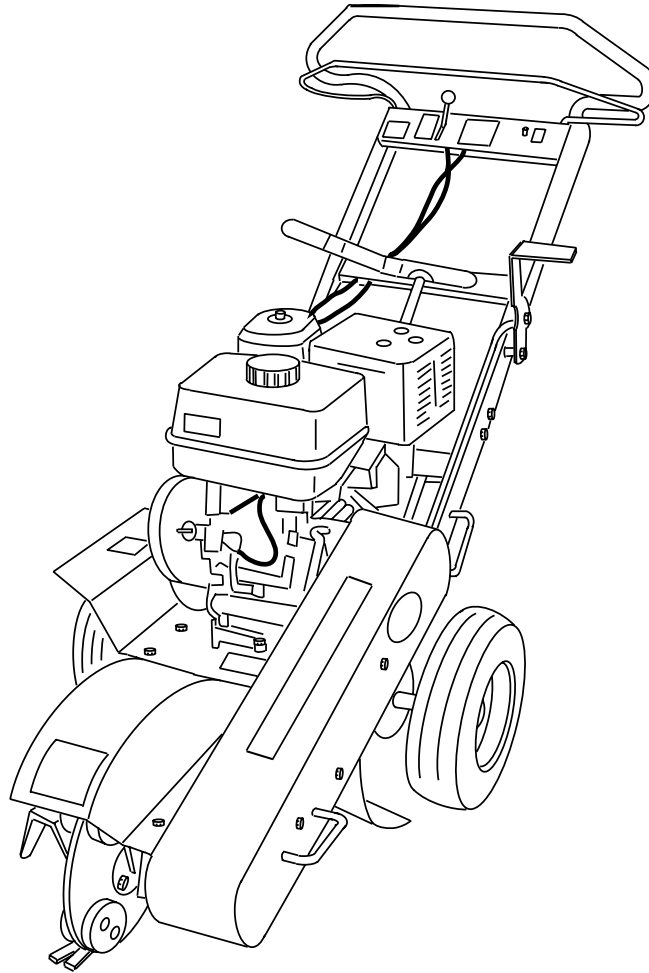


For Husqvarna Parts Call 606-678-9623 or 606-561-4983



**Parts Manual**

**Model:  
968999239  
SG13A / CE**

MANUAL NO. 539109259 REV. IR (12/01/03)

[www.mymowerparts.com](http://www.mymowerparts.com)

For Husqvarna Parts Call 606-678-9623 or 606-561-4983

©2003 Husqvarna.  
All Rights Reserved.  
Printed Beatrice, Nebraska

---

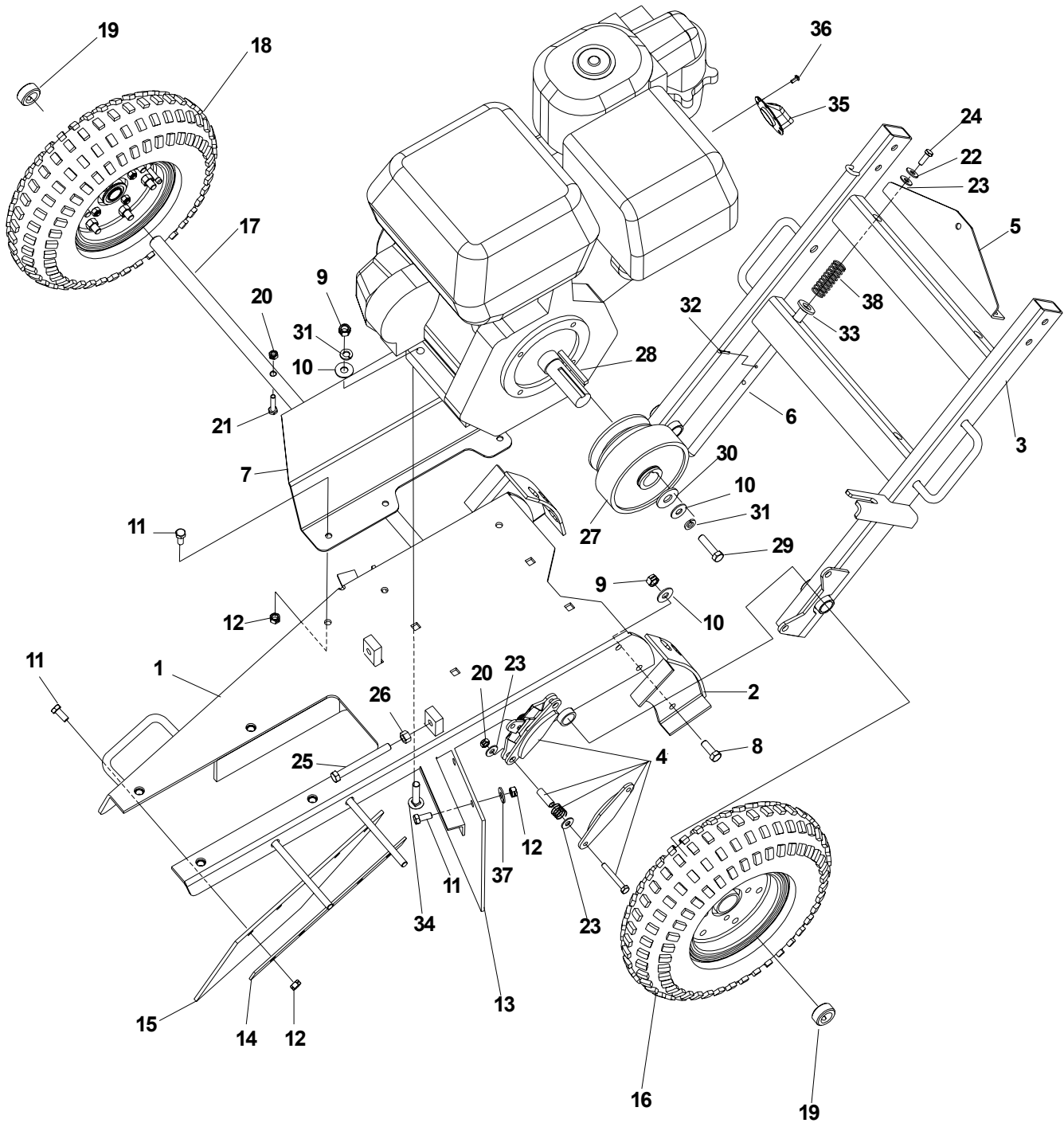
## TABLE OF CONTENTS

---

### Stump Grinder SG13A

Deck Assembly .....	4
Upper Handle Bar .....	6
Belt Cover .....	8
Shroud & Blade Assembly .....	10
Decals .....	12
Wiring Diagram & Wire Harness.....	14

# DECK ASSEMBLY



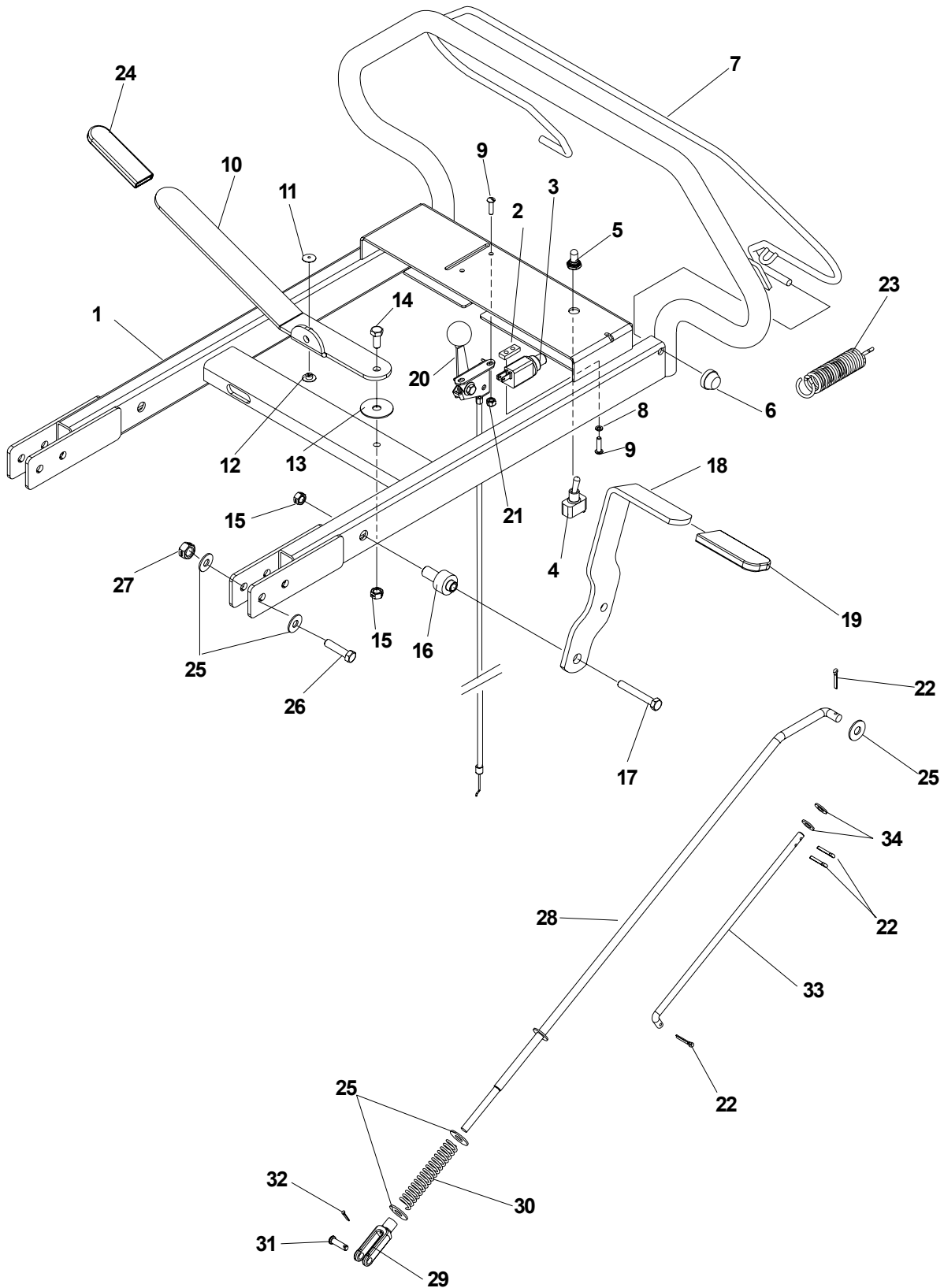
---

## DECK ASSEMBLY

---

ITEM	PART NO.	QTY.	DESCRIPTION
1	539109316	1	DECK
2	540020221	2	BRACKET, KIT (INCLUDES ONE BRACKET & HARDWARE)
3	539109321	1	HANDLE, LOWER
4	539020024	1	BRAKE, CALIPER
5	539108649	1	BRACKET, HANDLE POSTIONING
6	539020082	2	PIN, HANDLE ADJUSTMENT
7	539109283	1	FENDER
8	539990563	4	HCS 3/8-16 X 1, GR5
9	539990546	8	NUT 3/8-16, CENTER LOCK
10	539990517	9	WASHER, 3/8, FLAT
11	539976934	14	HCS 5/16-18 X 3/4, GR5
12	539990184	14	NUT 5/16-18, CENTER LOCK
13	539020094	1	DEFLECTOR, NEOPRENE, REAR
14	539200781	1	STRAP, DEFLECTOR
15	539020084	1	DEFLECTOR, SIDE, NEOPRENE
16	539020074	1	WHEEL W/DISC, 12" SNOW HOG
17	539020085	1	AXLE
18	540020025	1	WHEEL, 12" SNOW HOG
19	539020028	2	SET COLLAR, 3/4" BORE
20	539990761	3	NUT 1/4-20, CENTER LOCK
21	539100266	1	HCS 1/4-20 X 1 1/4, GR5
22	539990052	2	LOCKWASHER, 1/4
23	539990598	6	WASHER, 1/4, FLAT
24	539990580	2	HCS 1/4-20 X 3/4, GR5
25	539108271	2	HCS 3/8-16 X 3 1/2, GR5
26	539990130	2	NUT 3/8-16
27	539020020	1	CLUTCH, CENTRIFUGAL, 2-GROOVE
28	539917033	1	KEY, 1/4 SQ X 2 1/2"
29	539990164	1	HCS 3/8-24 X 1 1/2, GR5
30	539000427	1	WASHER 1/2, FLAT
31	539990118	5	LOCK WASHER, 3/8
32	539990365	2	COTTER PIN
33	539990250	2	WASHER 1/2, SAE FLAT
34	539990923	4	RHSNB 3/8-16 X 1 3/4, GR5
35	539020092	1	DEFLECTOR, EXHAUST
36	539108495	3	SCREW #8-32 X 3/8, SELF TAP, PHIL
37	539990692	6	WASHER 5/16, FLAT
38	539020034	2	SPRING, COMPRESSION

## UPPER HANDLE BAR



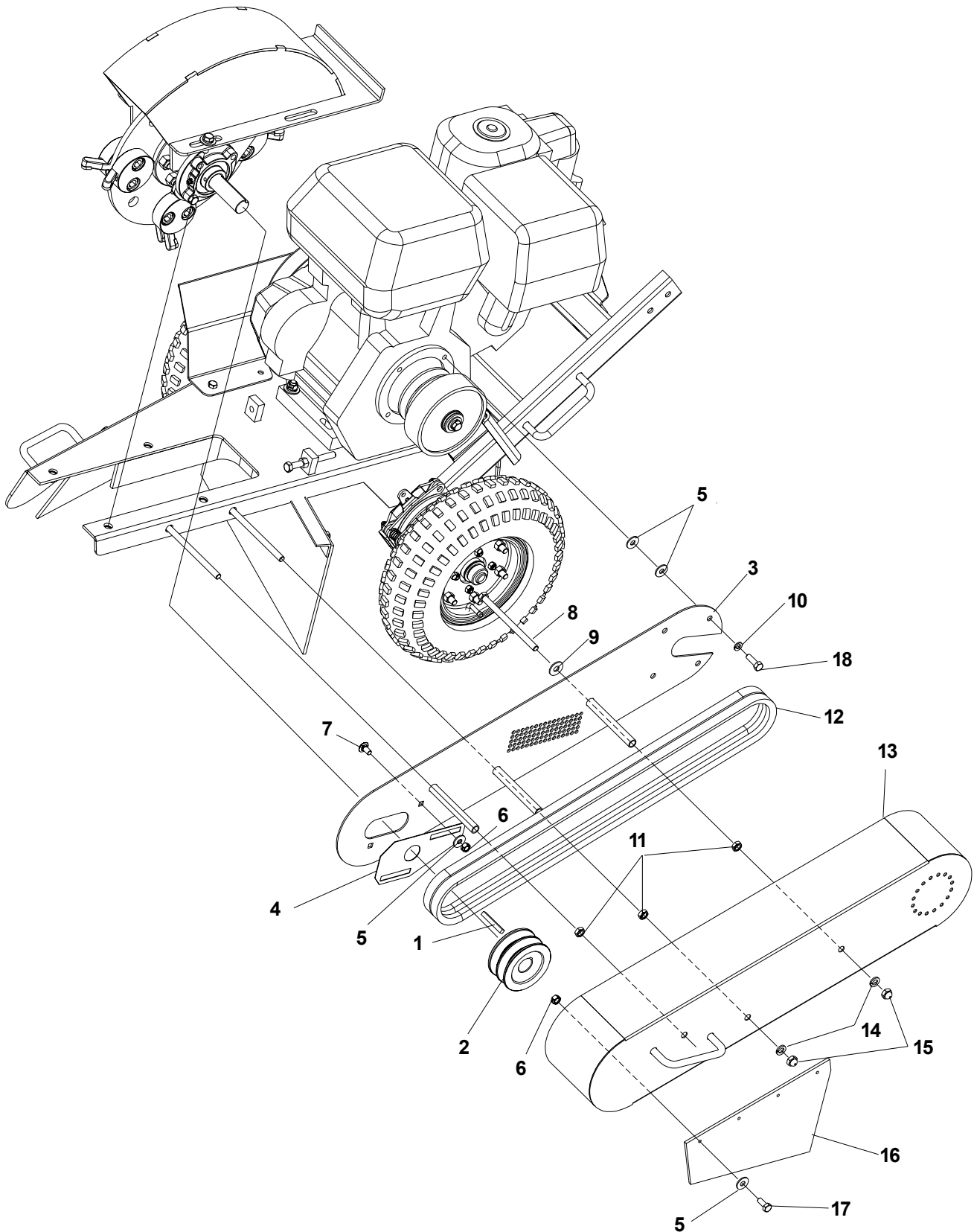
---

## UPPER HANDLE BAR

---

ITEM	PART NO.	QTY.	DESCRIPTION
1	539109951	1	HANDLE W/DECAL, UPPER
2	539102678	1	PLATE, TAPPED
3	539020017	1	SWITCH, NC PLUNGER TYPE
4	539020016	1	SWITCH, TOGGLE
5	539020041	1	BOOT, TOGGLE SWITCH
6	539108792	2	NUT 5/16, PUSH CAP
7	540020201	1	BAIL KIT (ALSO INCLUDES ITEM 6 & 23)
8	539107360	2	LOCKWASHER 5/16
9	539108535	4	SCREW #10-24 X 3/4, SLTD RD
10	539108647	1	HANDLE, POSITION ADJ.
11	539109089	1	RIVET, SNAP-MALE HALF
12	539109090	1	RIVET, SNAP-FEMALE HALF
13	539102998	1	WASHER, FRICTION
14	539976934	1	HCS 5/16-18 X 3/4, GR5
15	539990184	2	NUT 5/16C, CENTER LOCK
16	539109279	1	BUSHING
17	539976938	1	HCS 5/16-18 X 2 1/4, GR5
18	539108995	1	HANDLE, WHEEL BRAKE
19	539108996	1	GRIP, PARK BRAKE
20	539020023	1	THROTTLE CONTROL W/KNOB
21	539976977	2	NUT #10-24, NYLOC
22	539990365	4	COTTER PIN
23	539020035	1	SPRING
24	539976526	1	GRIP, LEVER ADJUST
25	539990517	11	WASHER 3/8, FLAT
26	539990730	4	HCS 3/8-16 X 1 3/4, GR5
27	539990546	4	NUT 3/8C, CENTER LOCK
28	539108992	1	ROD, PARK BRAKE
29	539976481	1	YOKE, 3/8F
30	539100102	1	SPRING, COMPRESSION
31	539108975	1	PIN, CLEVIS 1/4 X 7/8
32	539990555	1	PIN, COTTER 3/32 X 1/2
33	539108648	1	ROD, POSITION ADJUSTMENT
34	539990188	2	WASHER 5/16, SAE FLAT

# BELT COVER





---

## BELT COVER

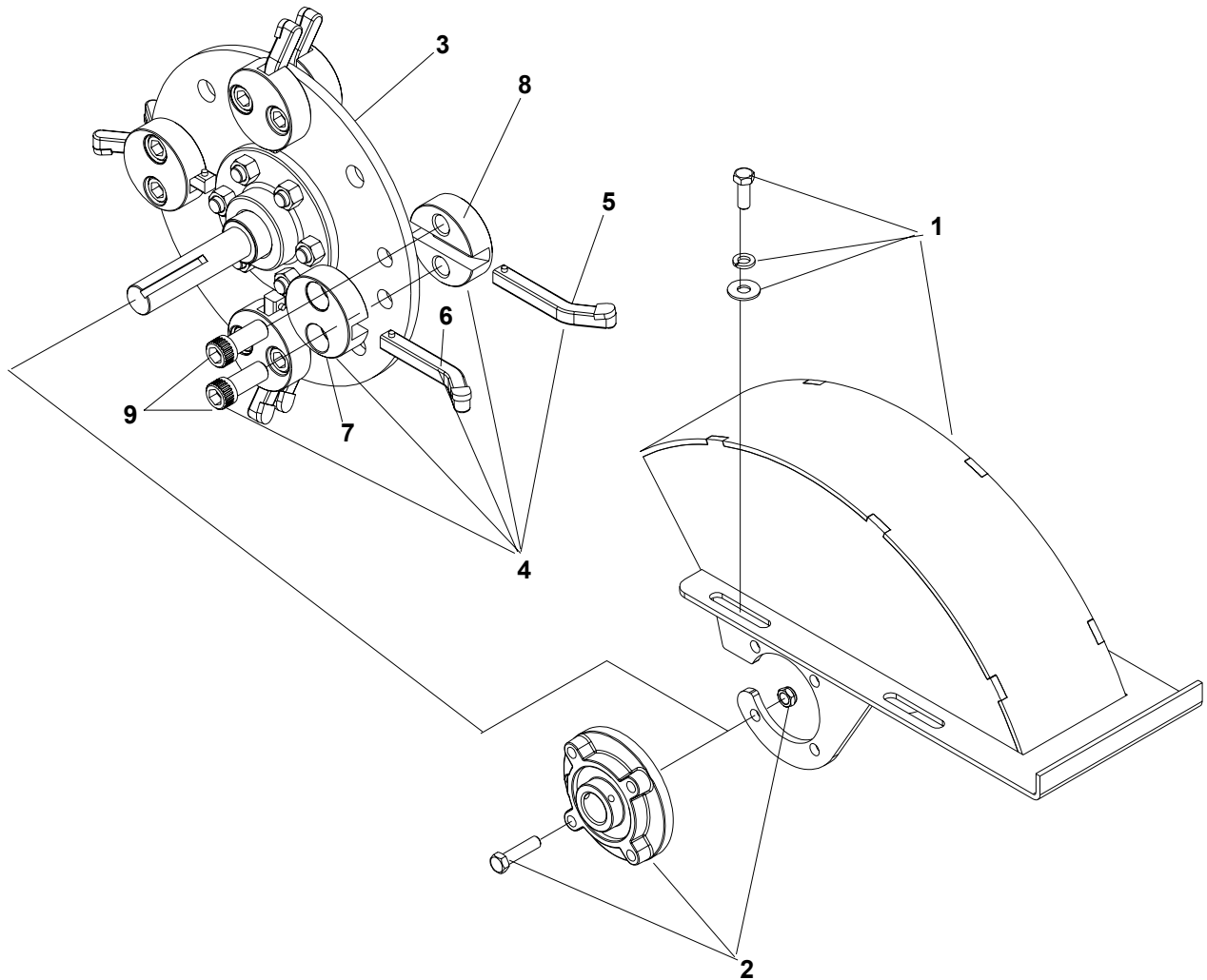
---

ITEM	PART NO.	QTY.	DESCRIPTION
1	539910210	1	KEY 1/4 SQ X 2
2	539020019	1	V-PULLEY, 2-GROOVE
3	540020213	1	BELT GUARD BACK
4	539108213	1	PLATE, COVER
5	539990692	14	WASHER 5/16, FLAT
6	539990184	6	NUT 5/16C, CENTER LOCK
7	539990799	2	RHSNB 5/16-18 X 5/8, GR5
8	539108505	1	HCS 3/8-16 X 5 1/2, GR5
9	539990517	1	WASHER 3/8 FLAT
10	539990187	4	LOCKWASHER 3/8
11	539109332	3	NUT 3/8-16, JAM
12	539200751	1	V-BELT, "B" SECT. SET OF 2
13	540020212	1	COVER, BELT GUARD
14	539990118	3	LOCKWASHER 3/8
15	539108746	3	NUT 3/8-16, ACORN
16	539020089	1	DEFLECTOR, NEOPRENE, LEFT SIDE
17	539976934	4	HCS 5/16-18 X 3/4, GR5
18	539108398	4	HCS 5/16-24 X 1, GR5

---

## SHROUD AND BLADE ASSEMBLY

---



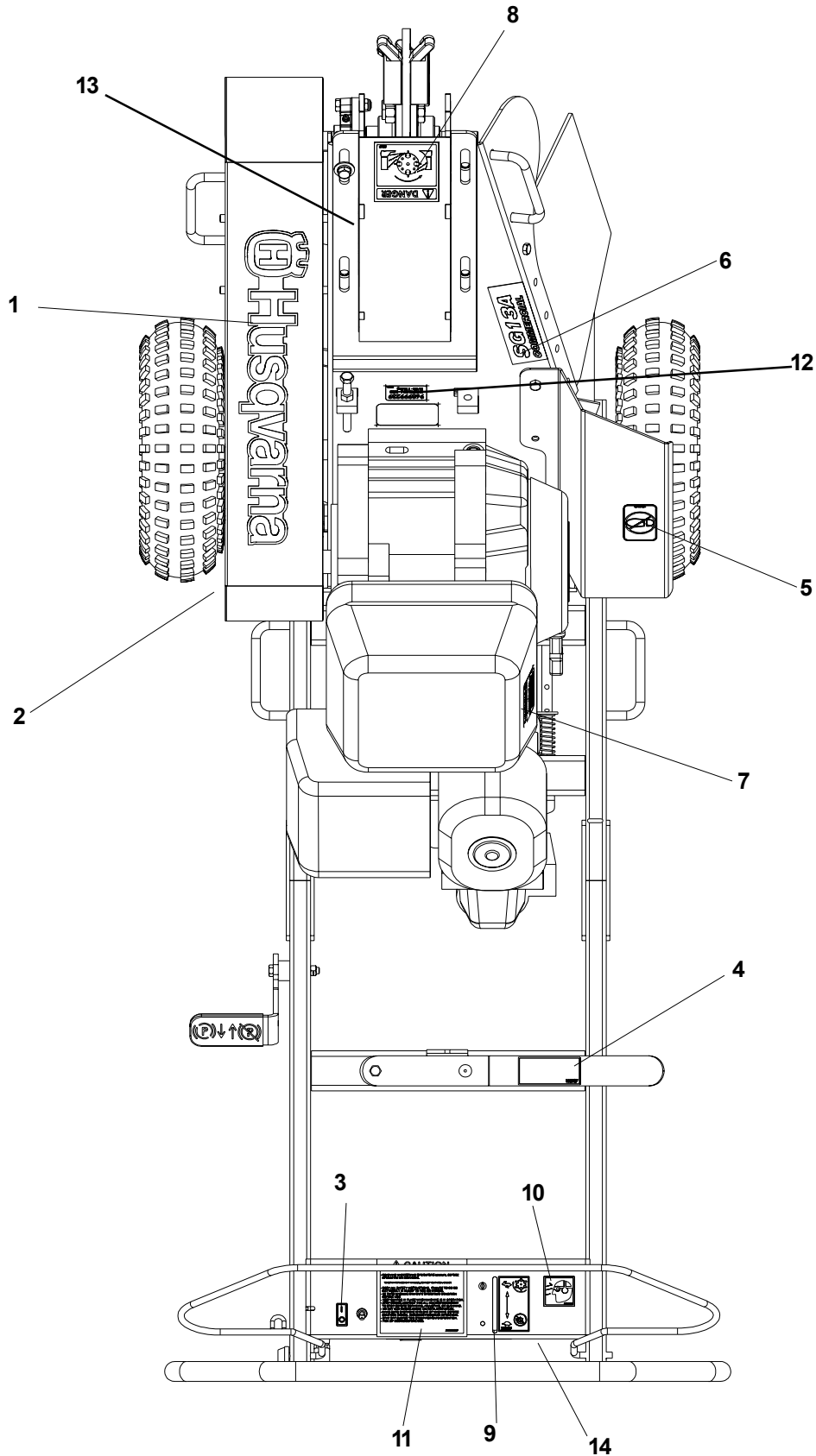
---

## SHROUD AND BLADE ASSEMBLY

---

ITEM	PART NO.	QTY.	DESCRIPTION
1	540020225	1	KIT, CUTTING WHEEL SHROUD (includes)
			SHROUD W/DECAL
			BOLT, 3/8-16 X 1 (4 EA)
			LOCKWASHER 3/8 (4 EA)
			WASHER 3/8, FLAT (4 EA)
2	540020226	1	BEARING, FLANGE (includes)
			BEARING (1 EA)
			BOLT 3/8-16 X 1 3/4 (4 EA)
			NUT 3/8, LOCK (4 EA)
3	540020227	1	CUTTING WHEEL ASSEMBLY (NO TEETH)
4	540020228	1	COMPLET SET OF CUTTING TEETH (includes)
			COUNTER BORE POCKET (4 EA)
			THREADED POCKETS (4 EA)
			LEFT TOOTH (4 EA)
			RIGHT TOOTH (4 EA)
			SOCKET HEAD SCREWS (8 EA)
5	540020229	1	RIGHT TOOTH
6	540020230	1	LEFT TOOTH
7	540020231	1	COUNTER BORE POCKET
8	540020232	1	THREADED POCKET
9	540020233	1	SOCKET HEAD SCREW (2 EA)
			TWO SCREWS ARE REQUIRED PER POCKET

**DECALS**



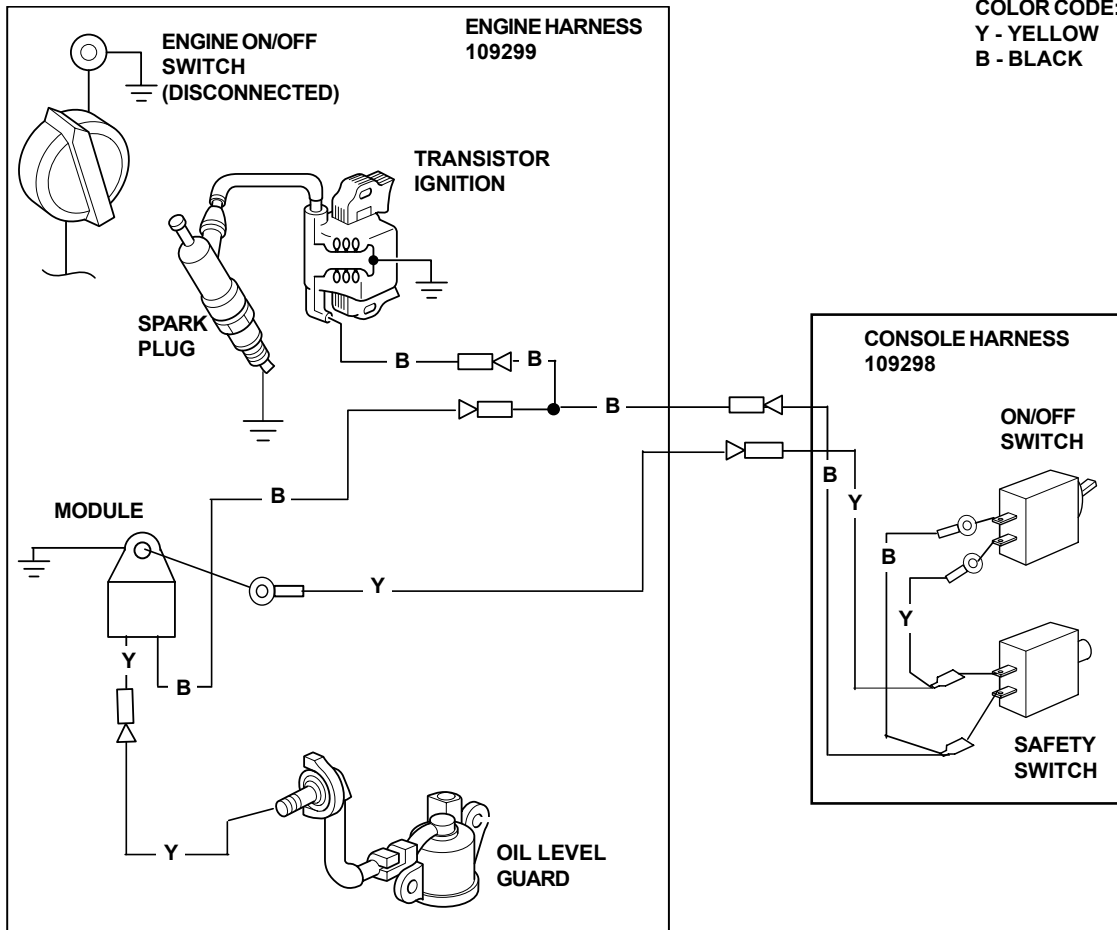
---

## DECALS

---

ITEM	PART NO.	QTY.	DESCRIPTION
1	539104790	1	DECAL, LOGO HUSQVARNA
2	539104789	1	DECAL, CROWN
3	539200830	1	DECAL, ON/OFF
4	539108987	1	DECAL, HANDLE ADJUSTMENT
5	539105743	1	DECAL, NO STEP
6	539109341	1	DECAL, SG13A STUMP GRINDER
7	539101881	1	DECAL, PROP 65
8	539008369	1	DECAL, DANGER FOOT
9	539200829	1	DECAL, THROTTLE
10	540200126	1	DECAL, EAR AND EYE WARNING
11	540200027	1	DECAL, CAUTION LIST
12	539109702	1	DECAL, CE968999239
13	539105071	1	DECAL, NASCAR
14	539200762	1	DECAL, 107DBA SOUND POWER

# WIRING DIAGRAM



For Husqvarna Parts Call 606-678-9623 or 606-561-4983

For Husqvarna Parts Call 606-678-9623 or 606-561-4983



[www.mymowerparts.com](http://www.mymowerparts.com)