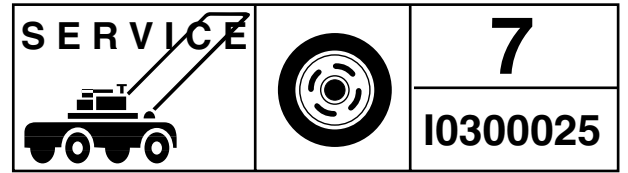


For Husqvarna Parts Call 606-678-9623 or 606-561-4983



IPL, Rider Pro 15, 2003-01, 106 28 43-62

Rider Pro15

Spare parts

Ersatzteile

Pièces détachées

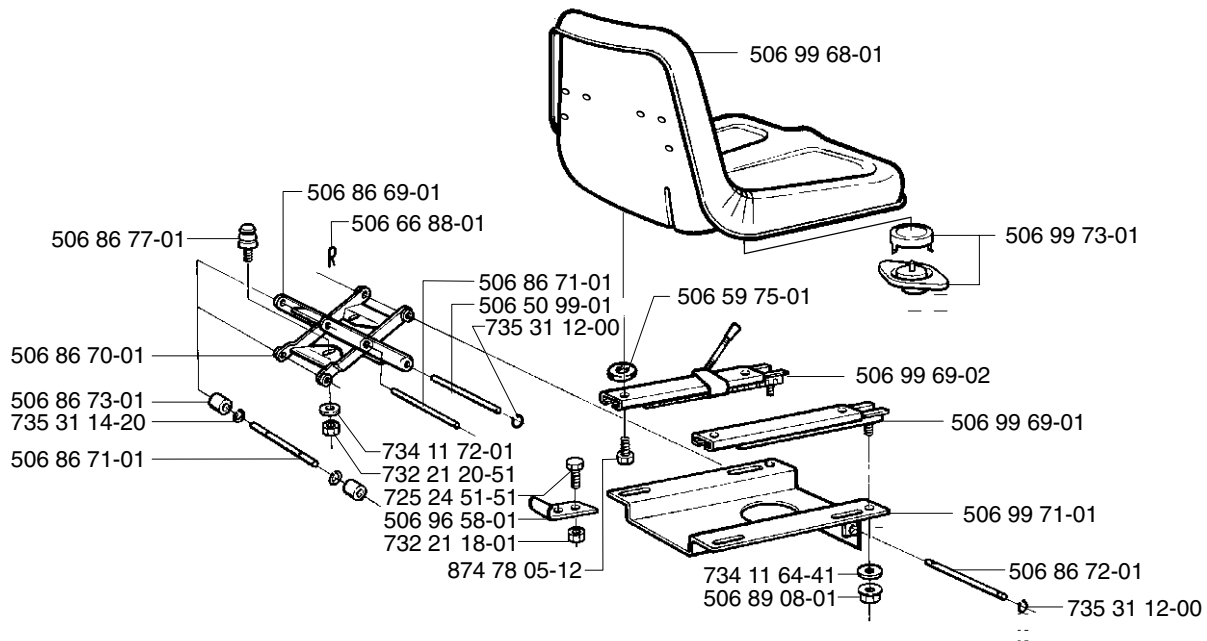
Reserve onderdelen

Repuestos

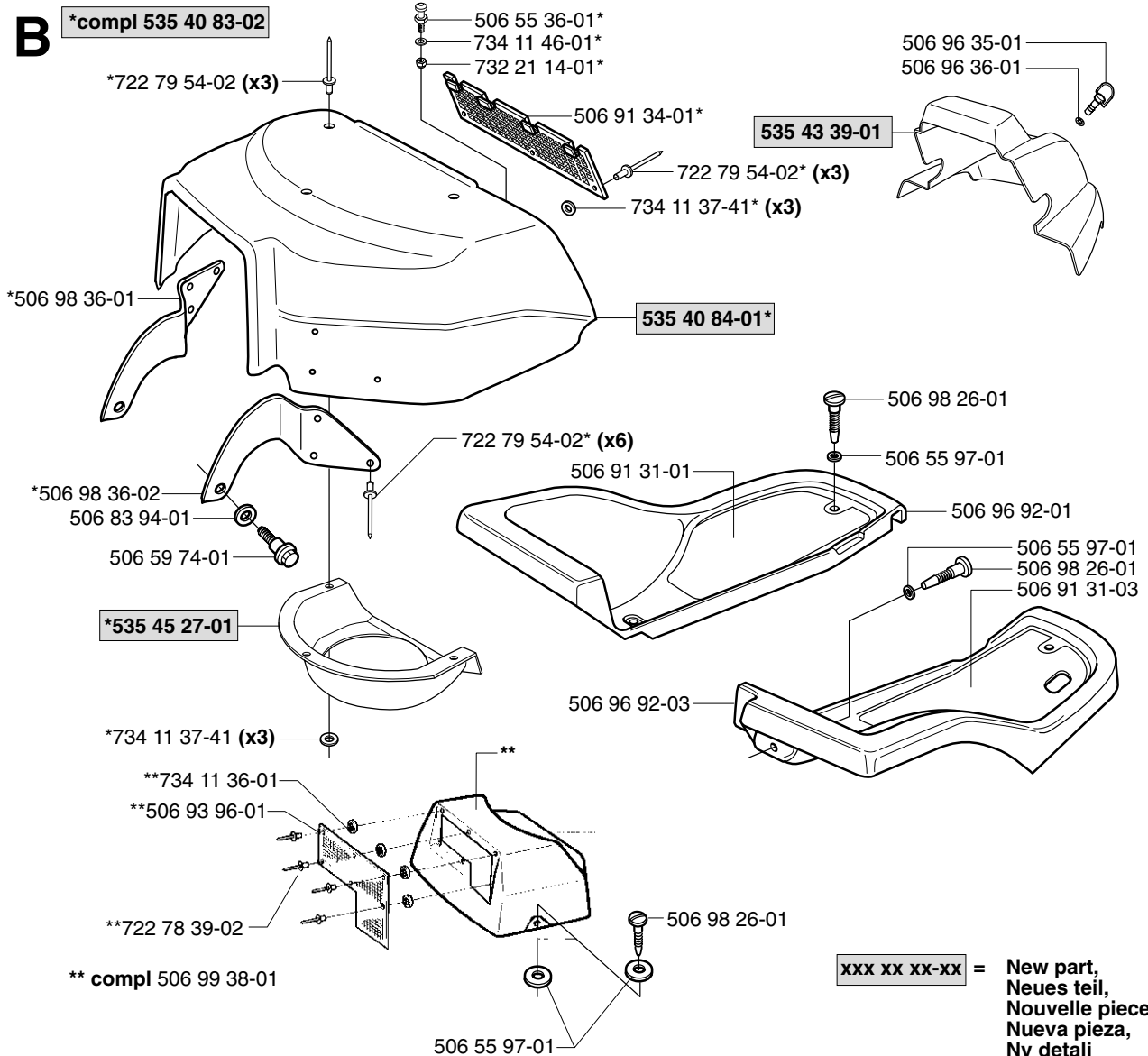
Reservdelar

106 28 43-62

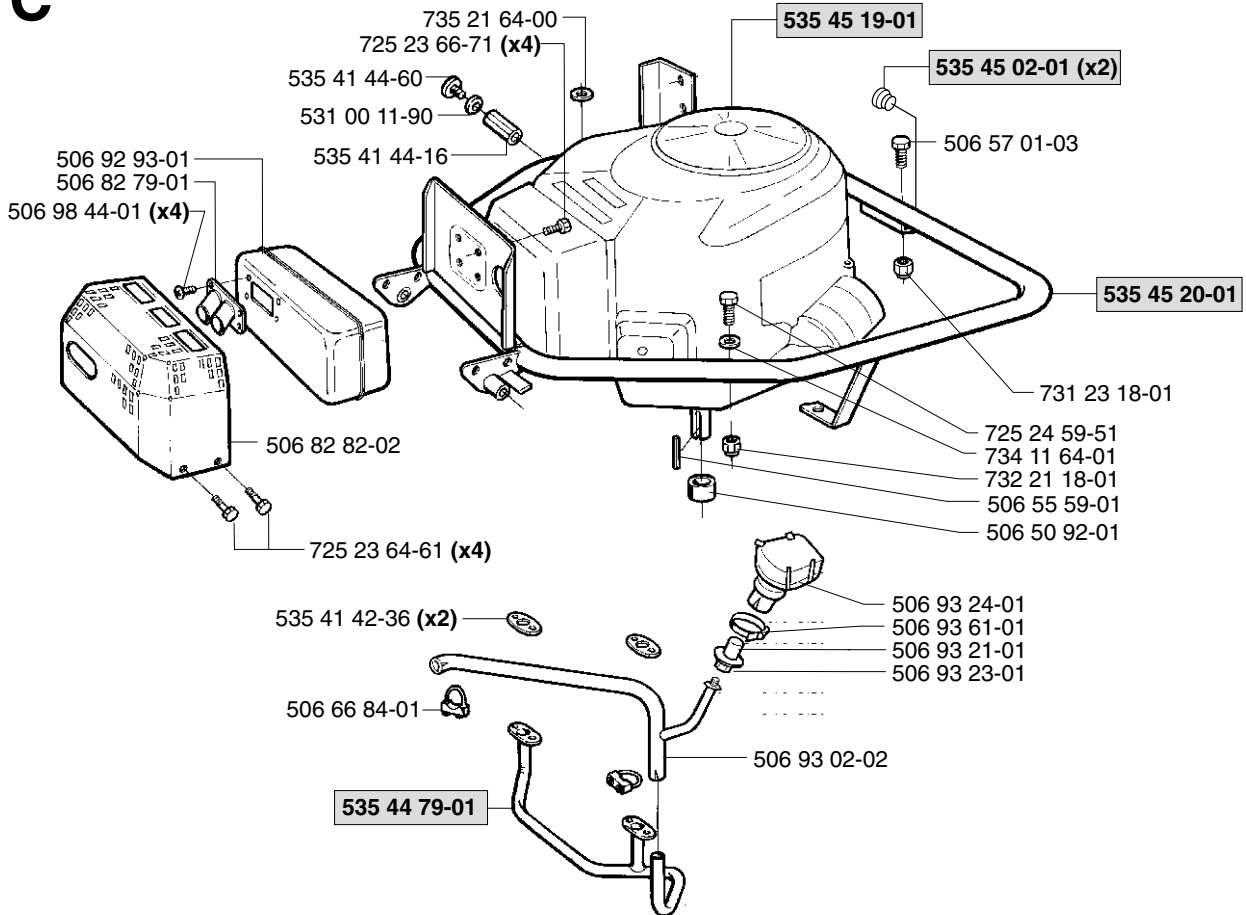
A



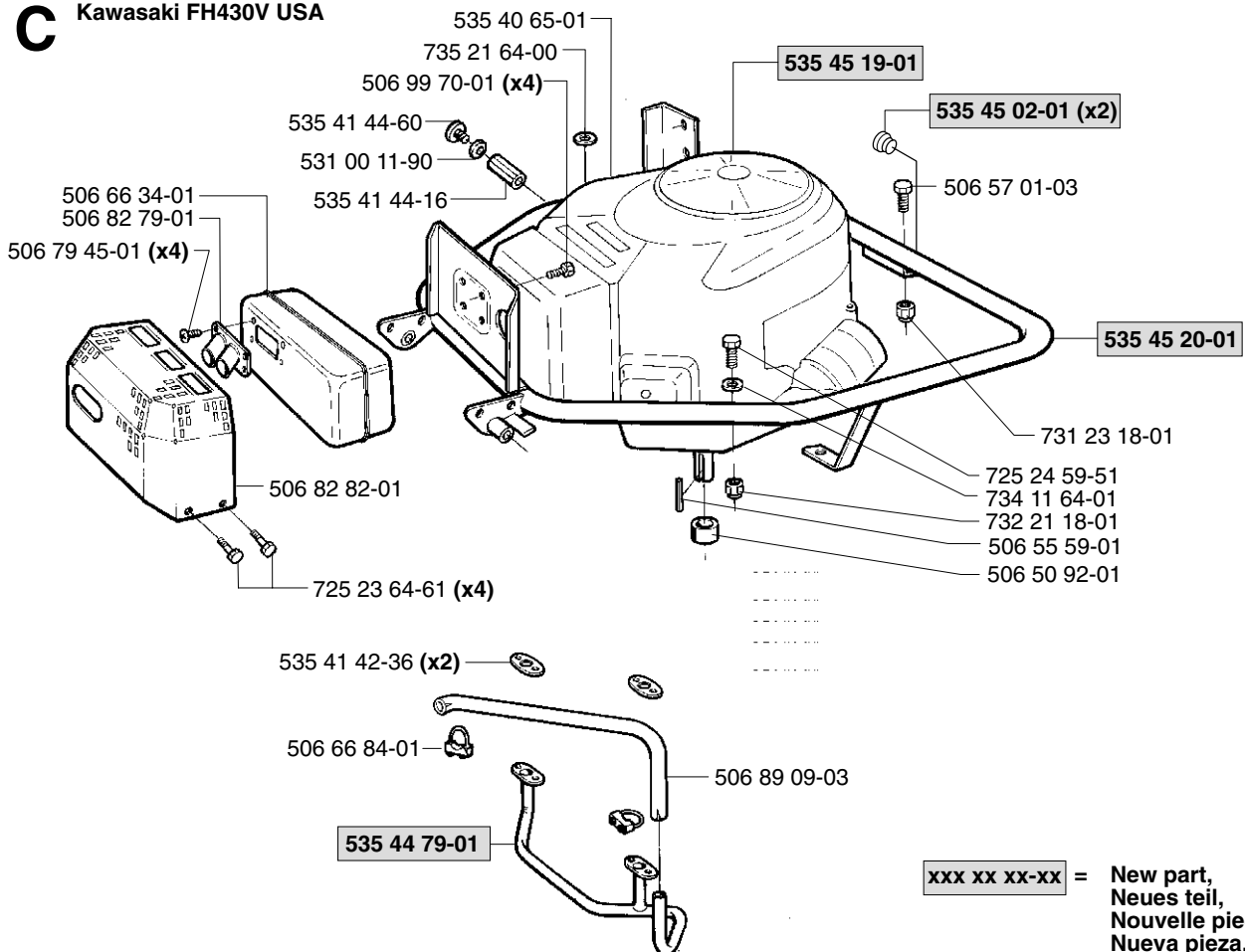
B



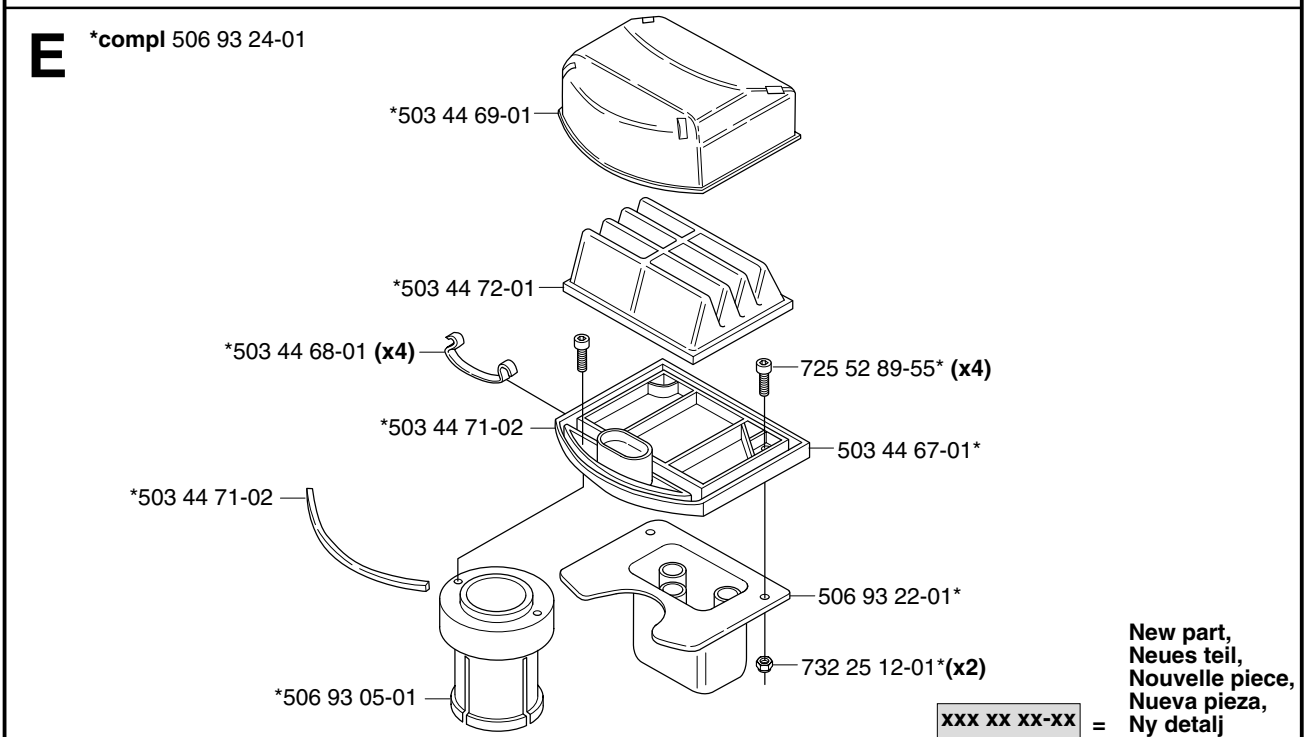
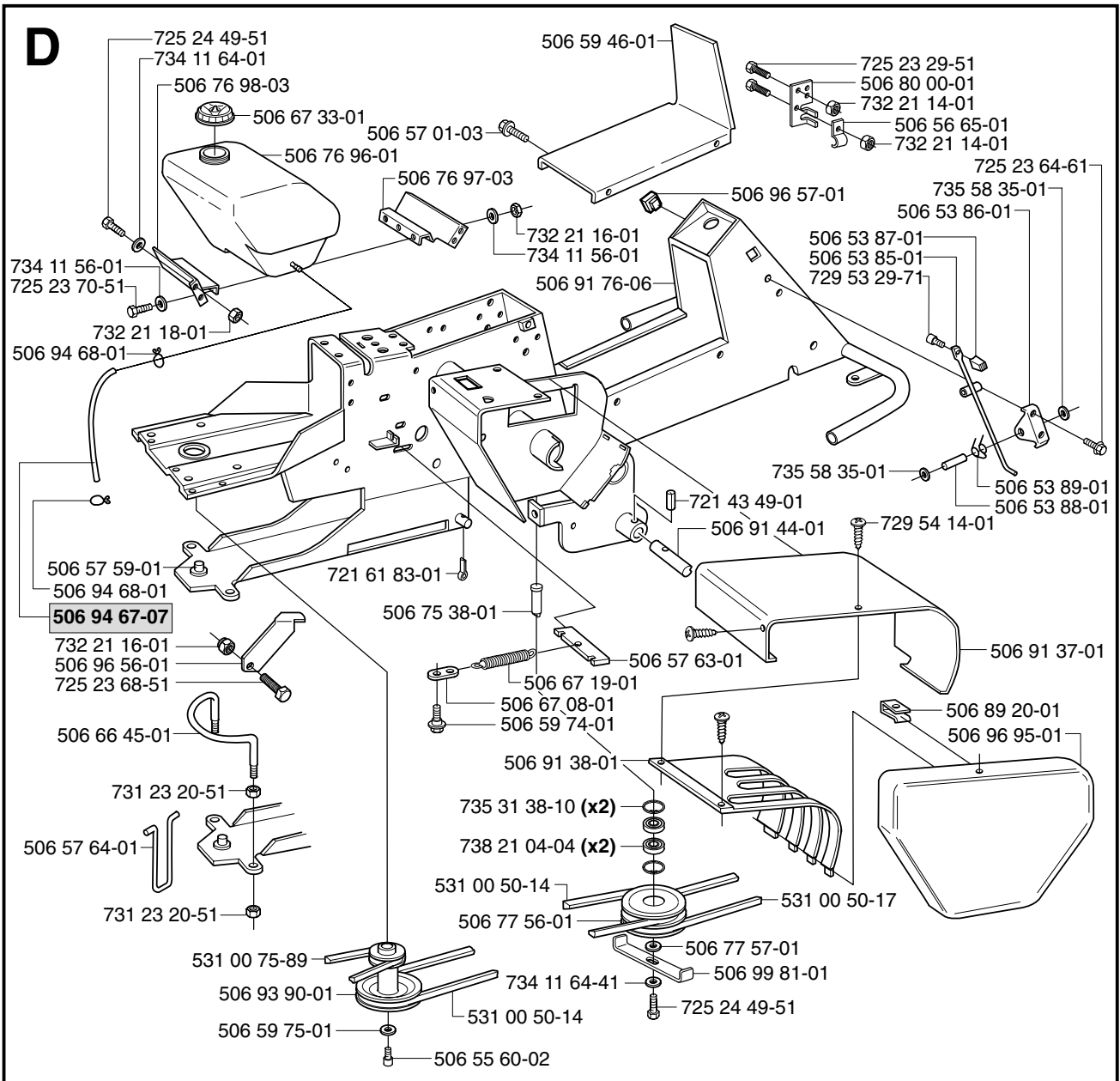
C Kawasaki FH430V

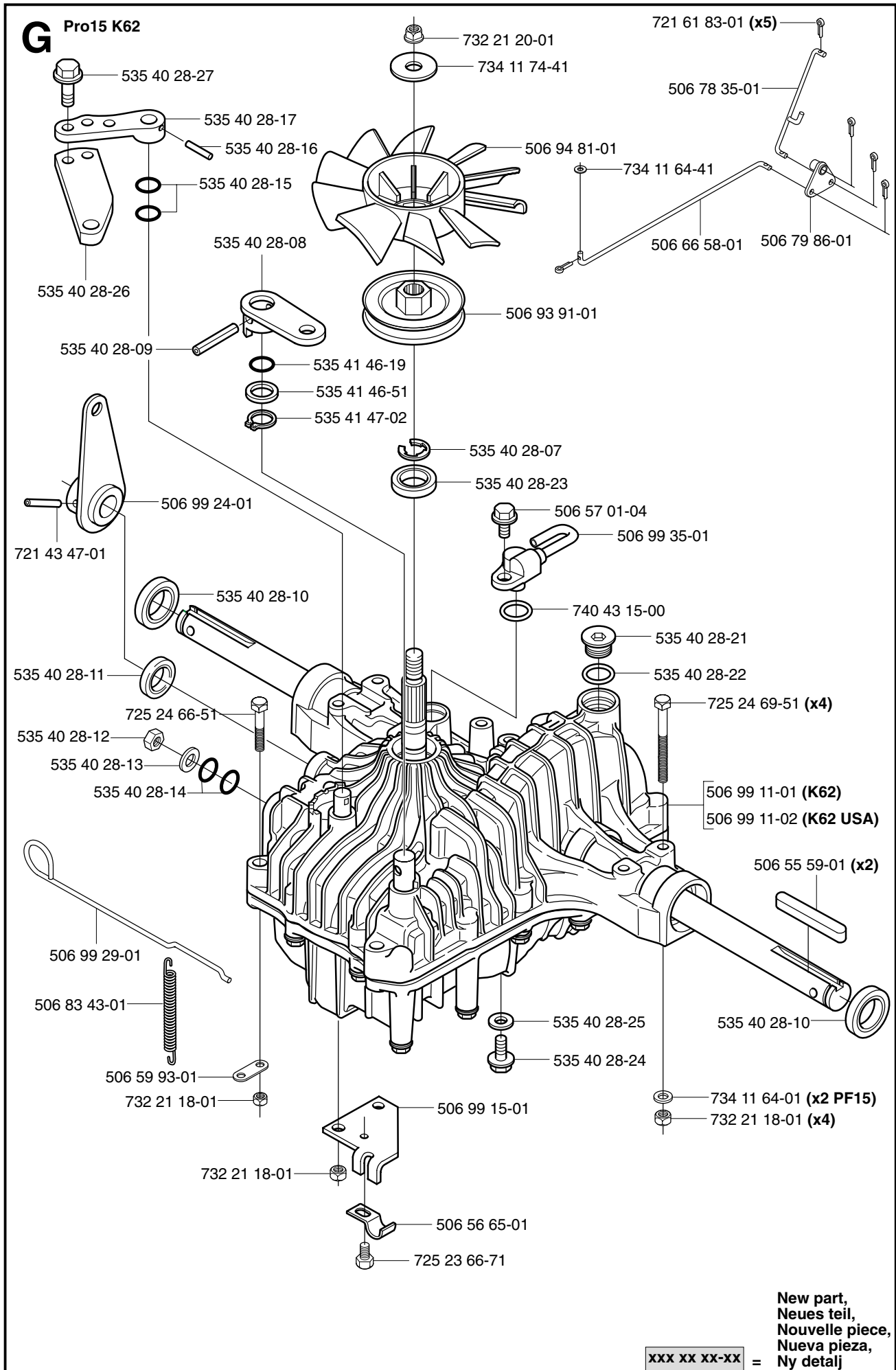


C Kawasaki FH430V USA



xxx xx xx-xx = New part,
Neues teil,
Nouvelle piece,
Nueva pieza,
Ny detalj

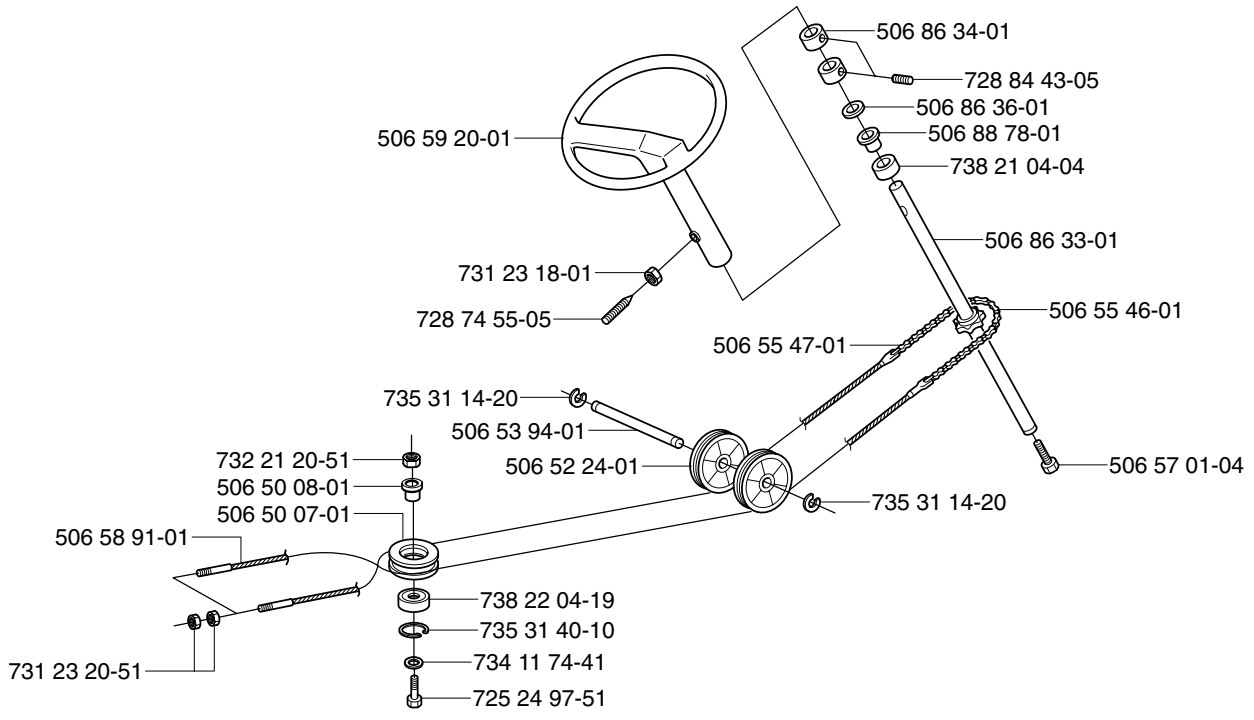




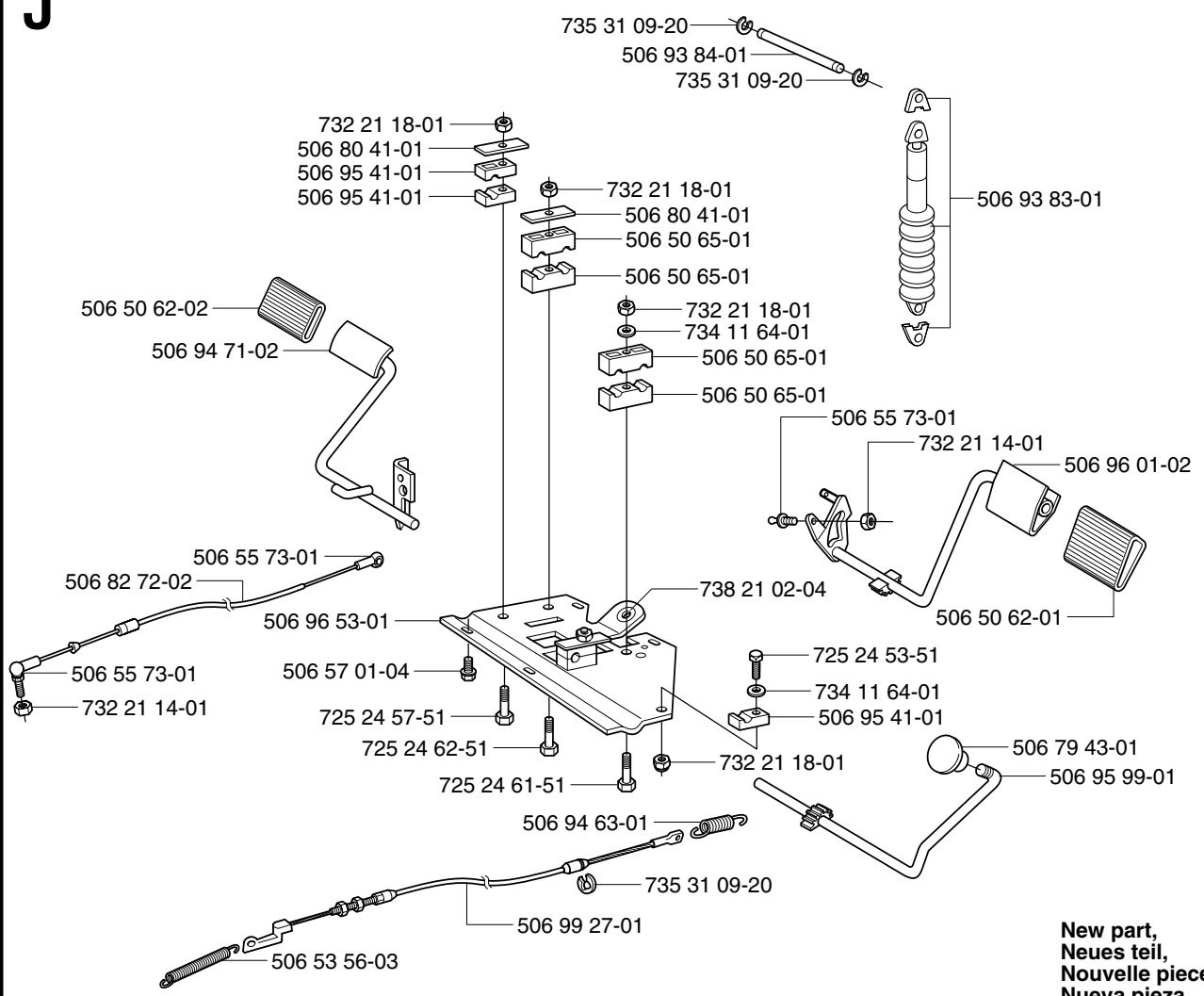
New part,
Neues teil,
Nouvelle piece,
Nueva pieza,
Ny detalj

xxx xx xx-xx =

H



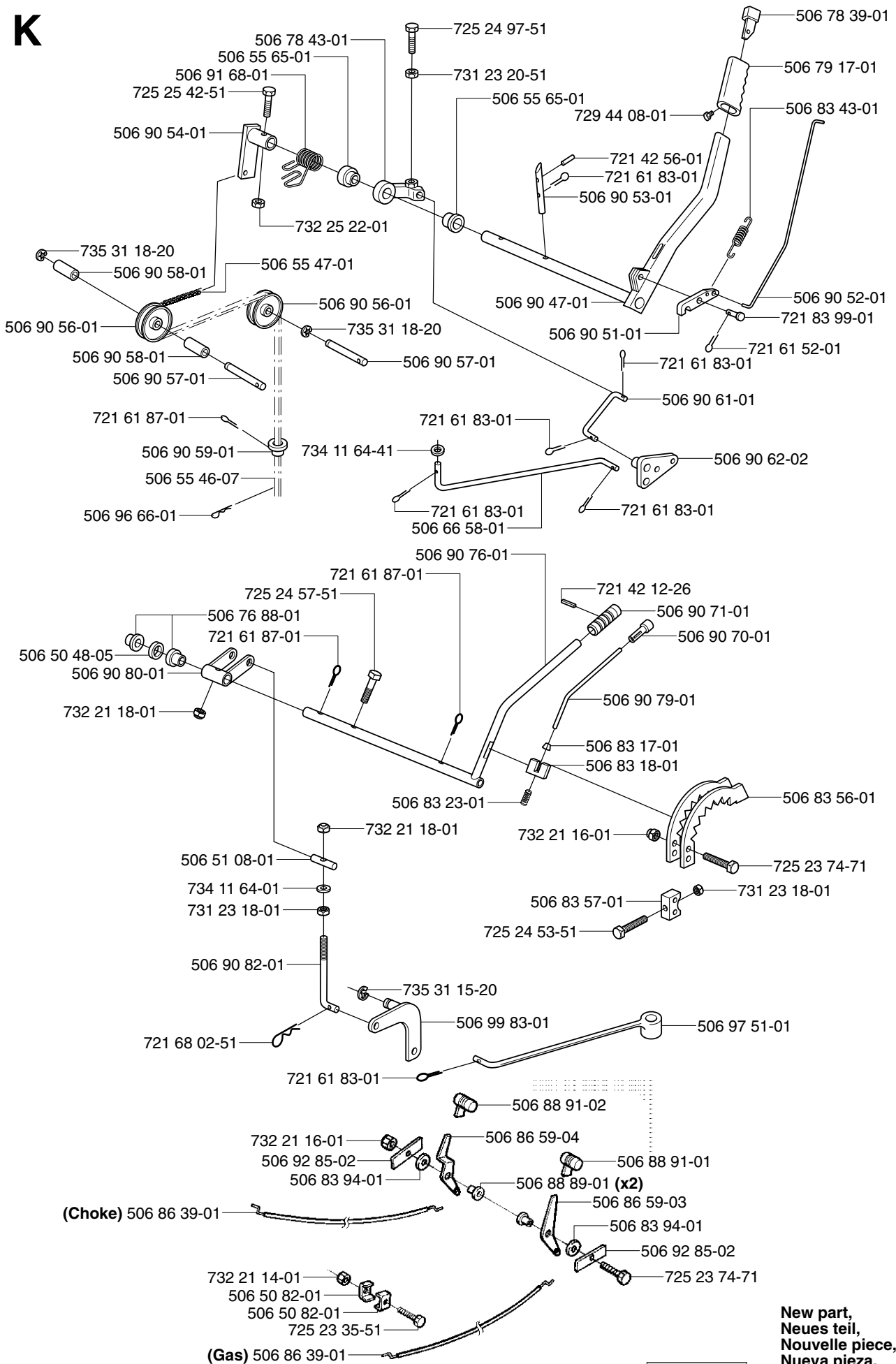
J



**New part,
Neues teil,
Nouvelle piece,
Nueva pieza,
Ny detalj**

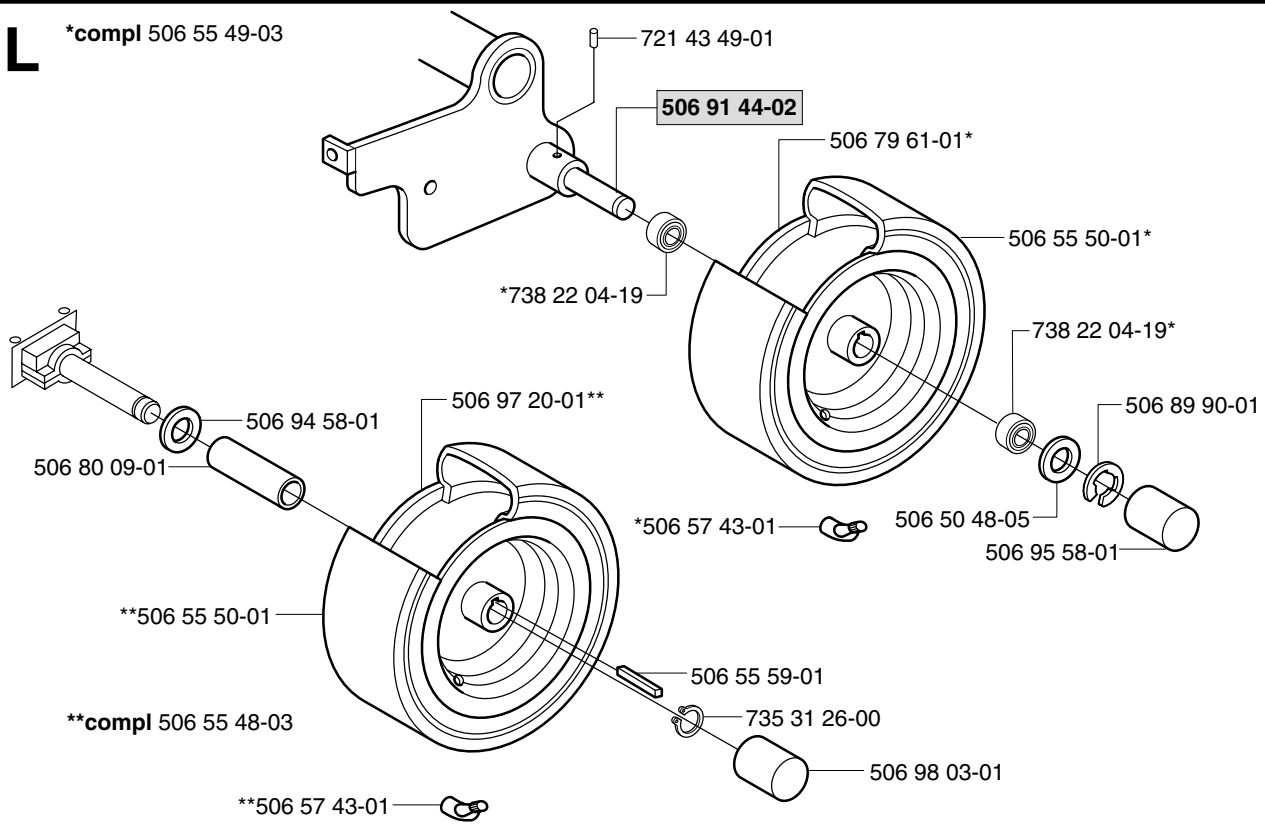
xxx xx xx-xx =

K



New part,
Neues teil,
Nouvelle piece,
Nueva pieza,
Ny detalj

xxx xx xx-xx =



M USA

Start/Warning 506 94 92-01	Side discharge 506 81 80-01	Import decal 506 98 39-01	Side discharge 506 88 18-01	CPSC 506 67 62-01	Standard decal 506 88 07-02
--------------------------------------	---------------------------------------	-------------------------------------	---------------------------------------	-----------------------------	---------------------------------------

535 41 52-01	506 78 97-01	506 94 47-01	EC 535 43 20-01	Warning 506 94 48-01
--------------	--------------	--------------	------------------------	--------------------------------

506 99 96-01	506 84 28-01	506 84 28-03	506 91 57-01
--------------	--------------	--------------	--------------

535 45 00-01

535 44 99-01

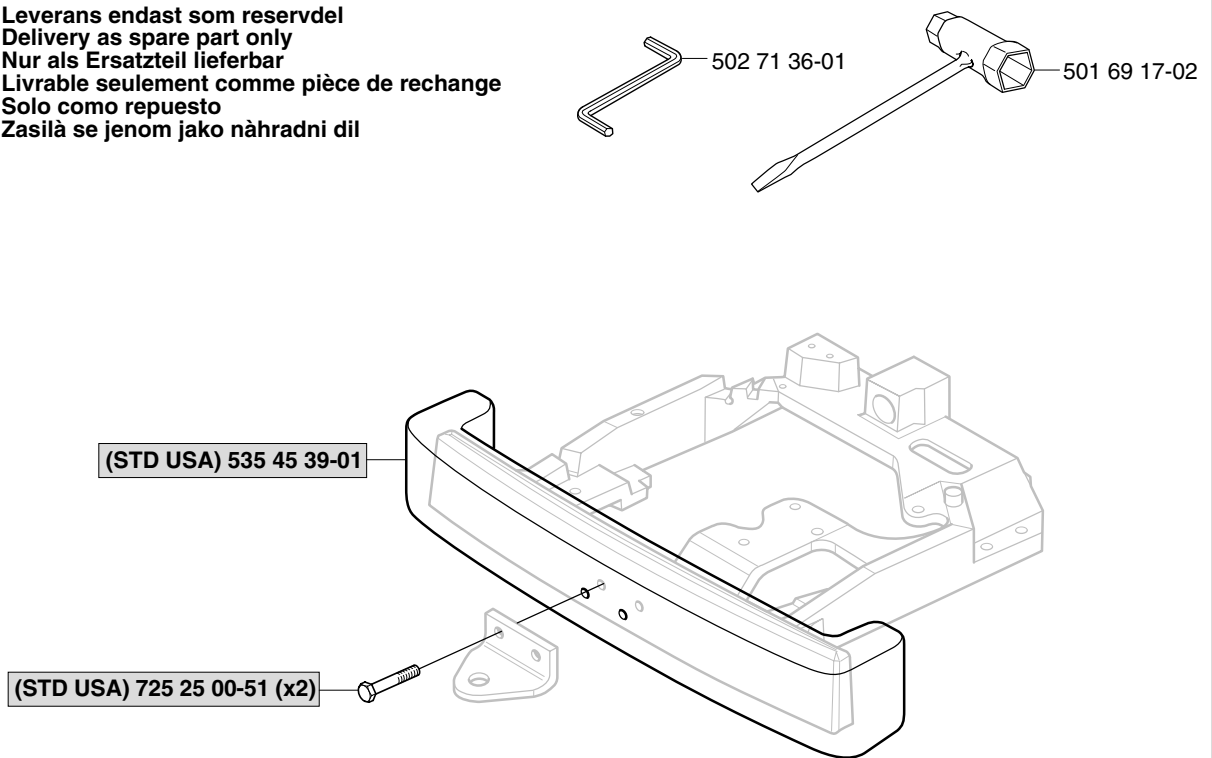
535 45 01-01 (x2)

535 45 40-01 **Rider Pro 15** 535 45 40-02 **Rider Pro 15**

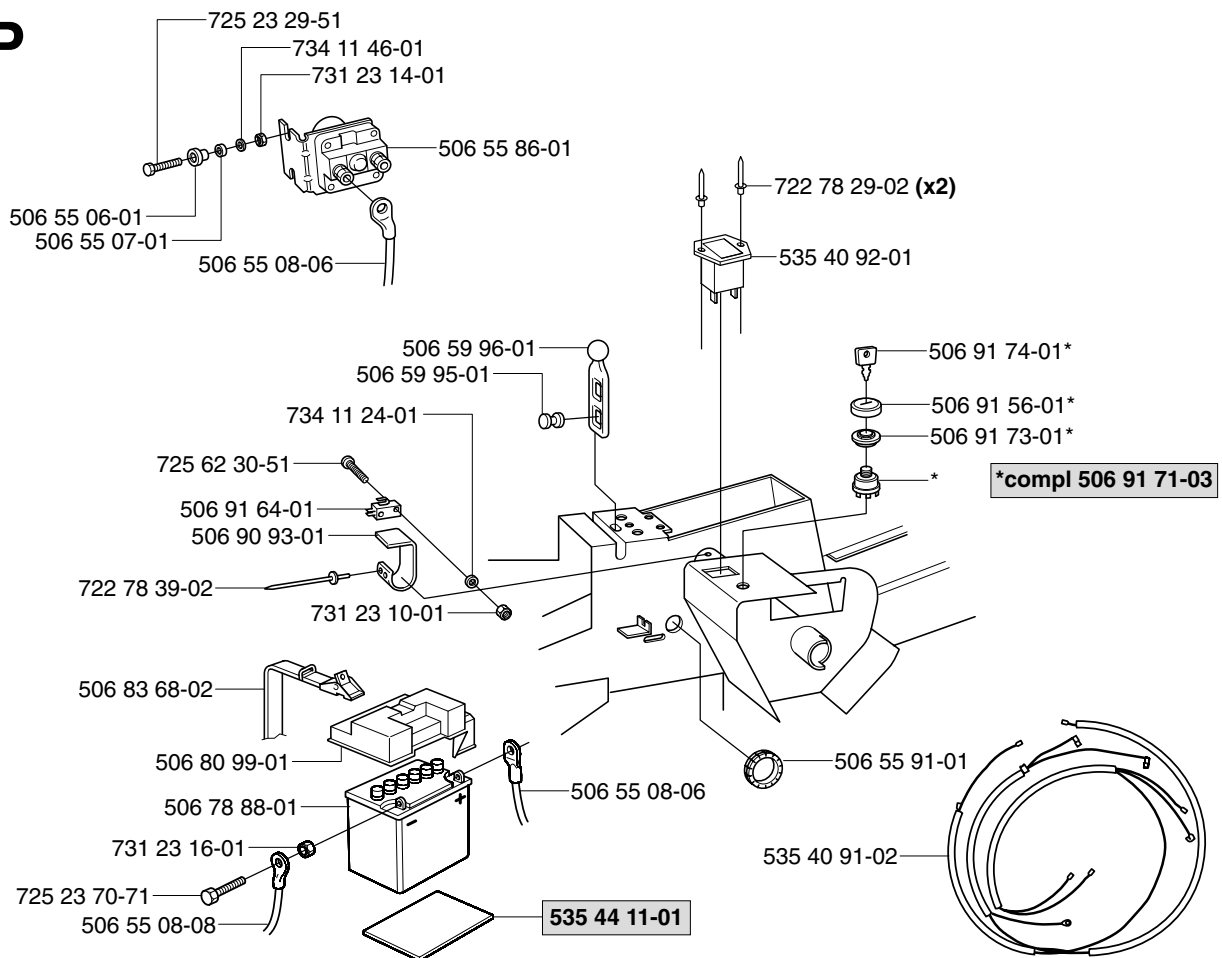
New part,
Neues teil,
Nouvelle piece,
Nueva pieza,
Ny detalj

xxx xx xx-xx =

N Leverans endast som reservdel
 Delivery as spare part only
 Nur als Ersatzteil lieferbar
 Livrable seulement comme pièce de rechange
 Solo como repuesto
 Zasila se jenom jako náhradni díl

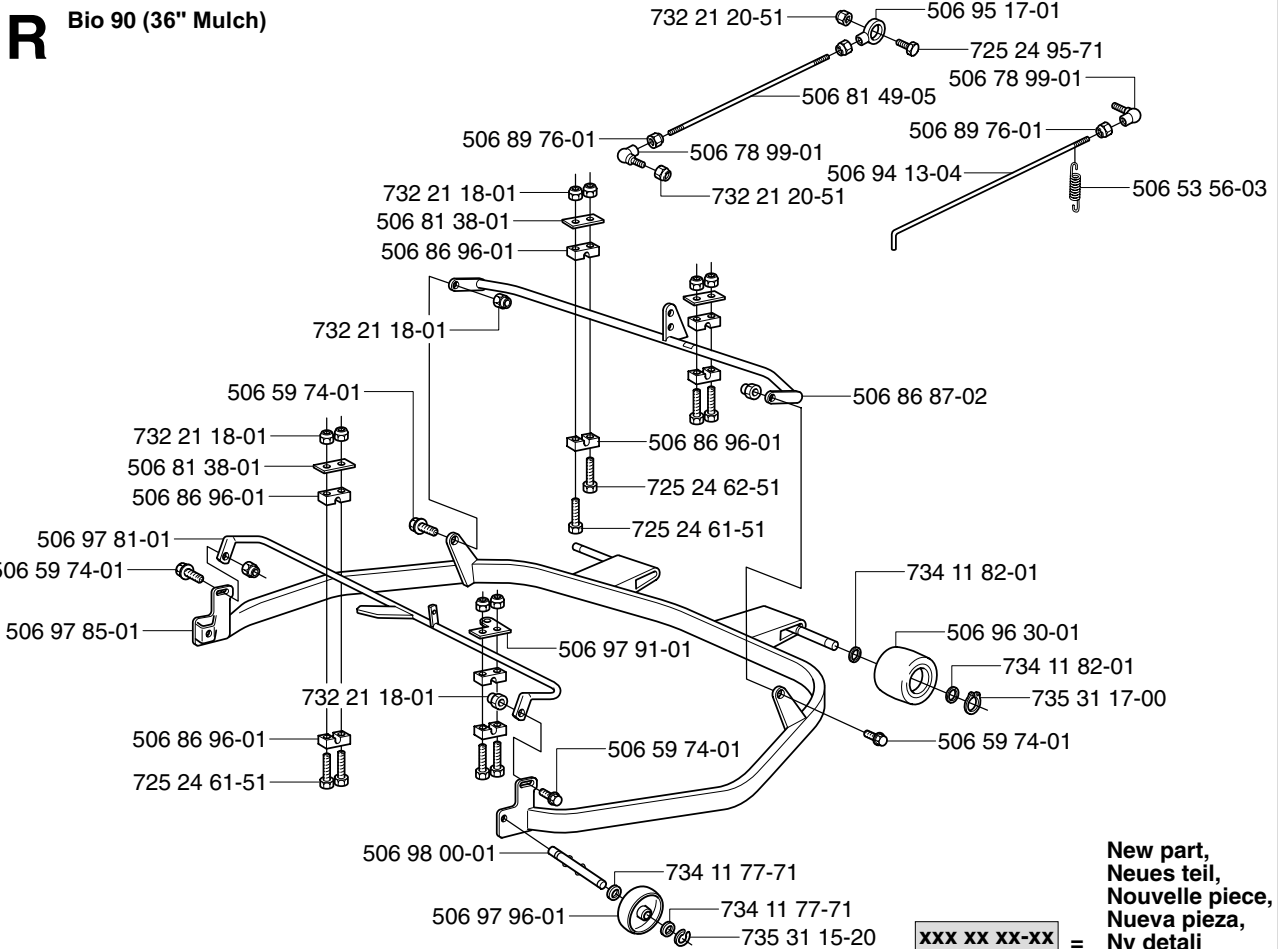
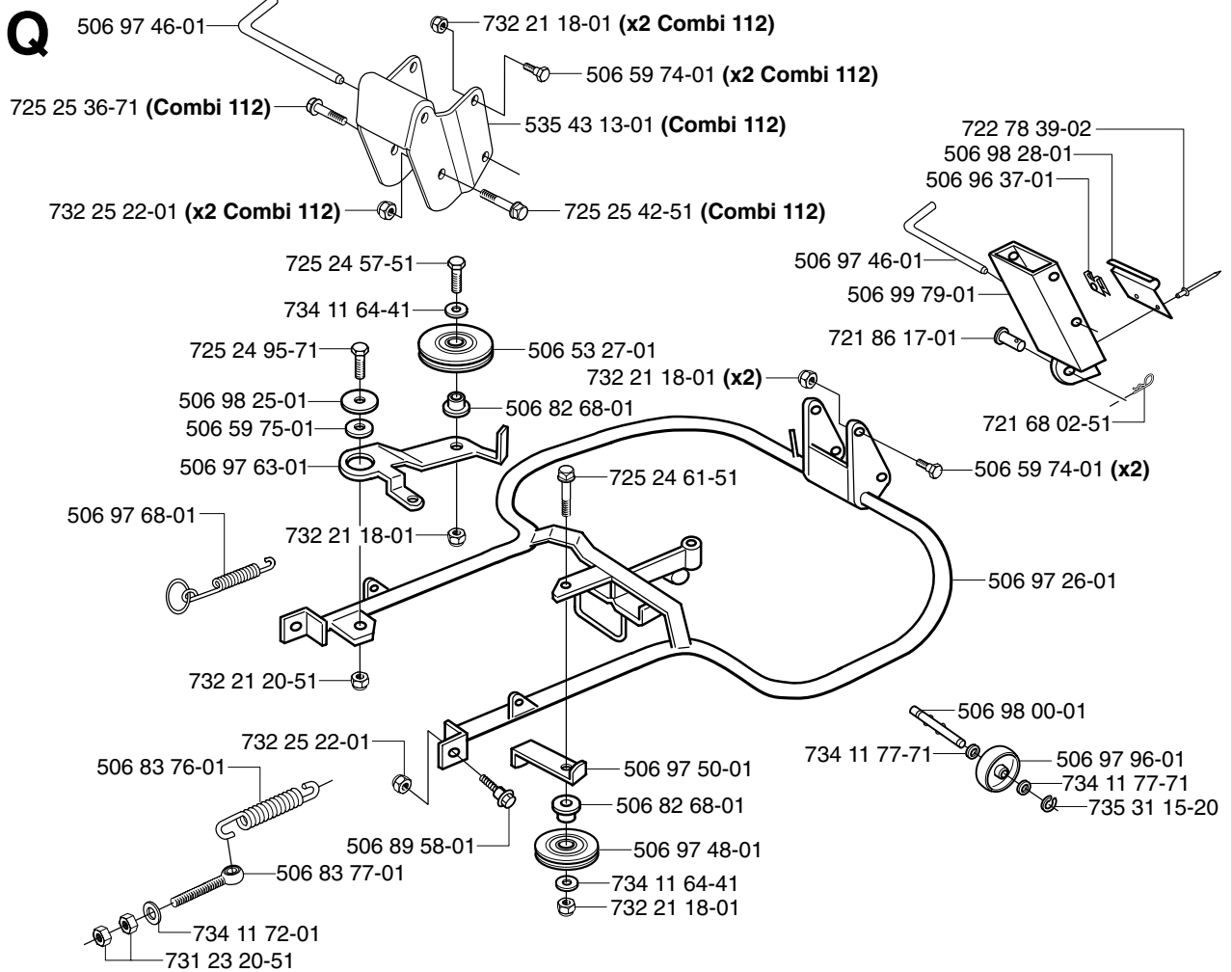


P

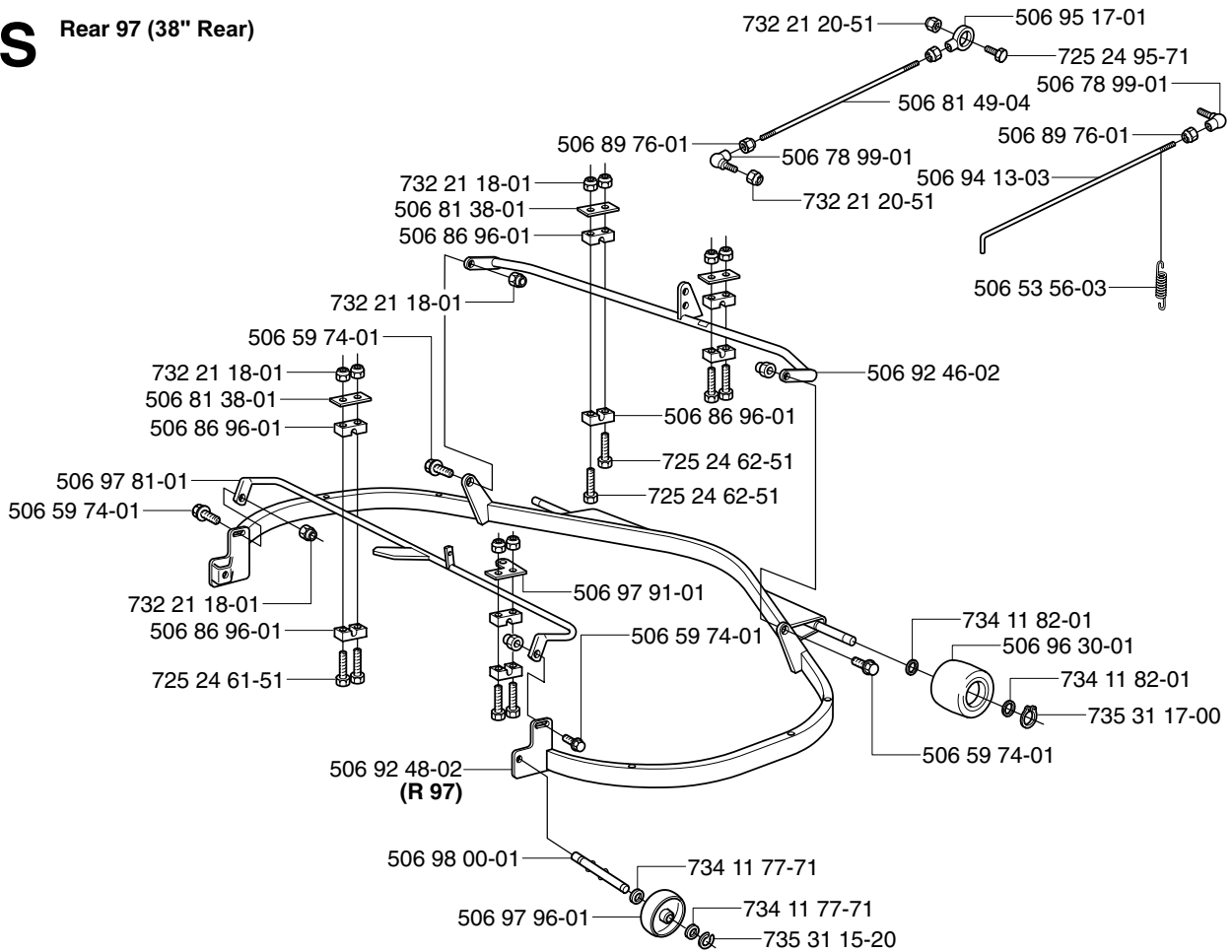


New part,
 Neues teil,
 Nouvelle piece,
 Nueva pieza,
 Ny detalj

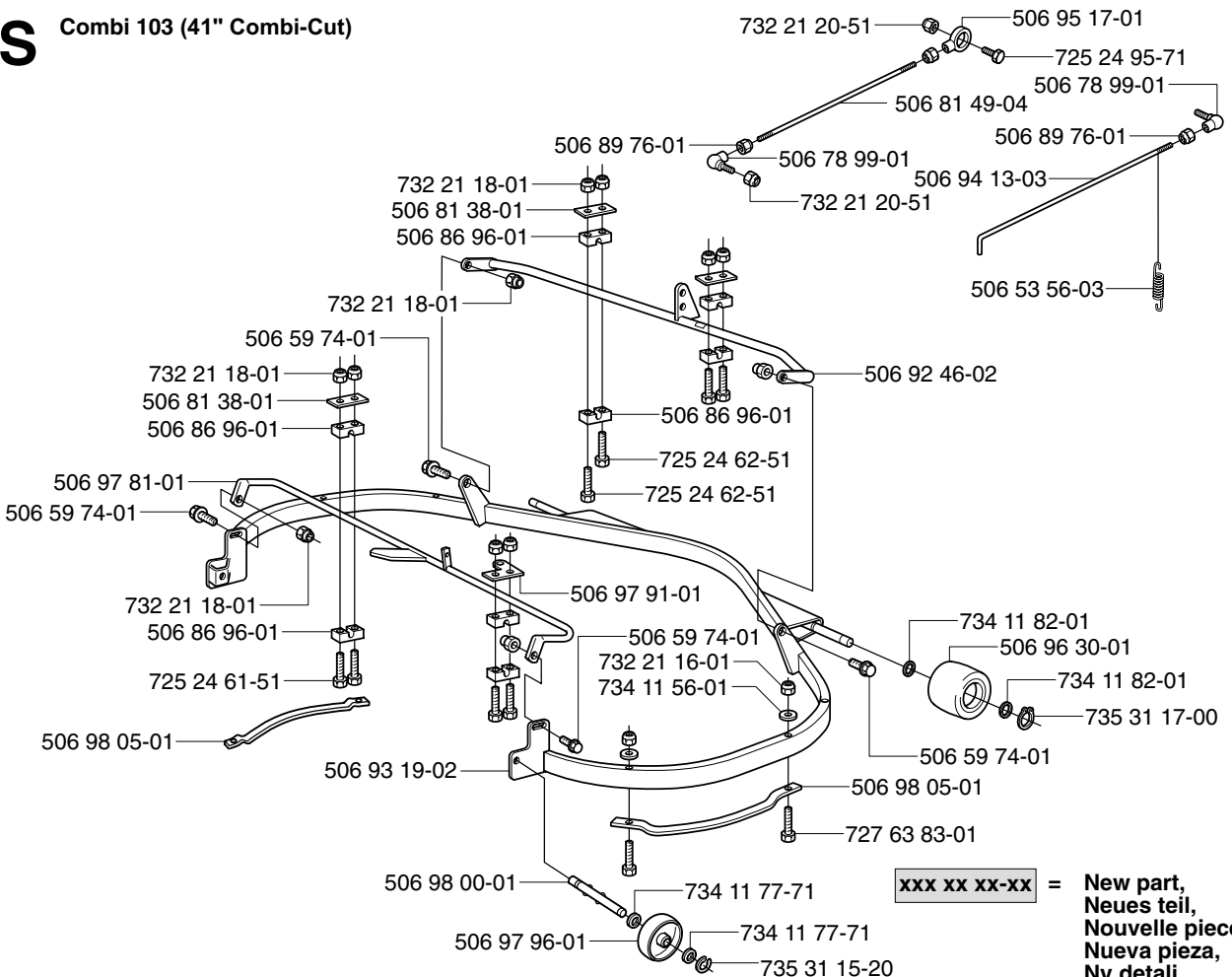
xxx xx xx-xx =



S Rear 97 (38" Rear)

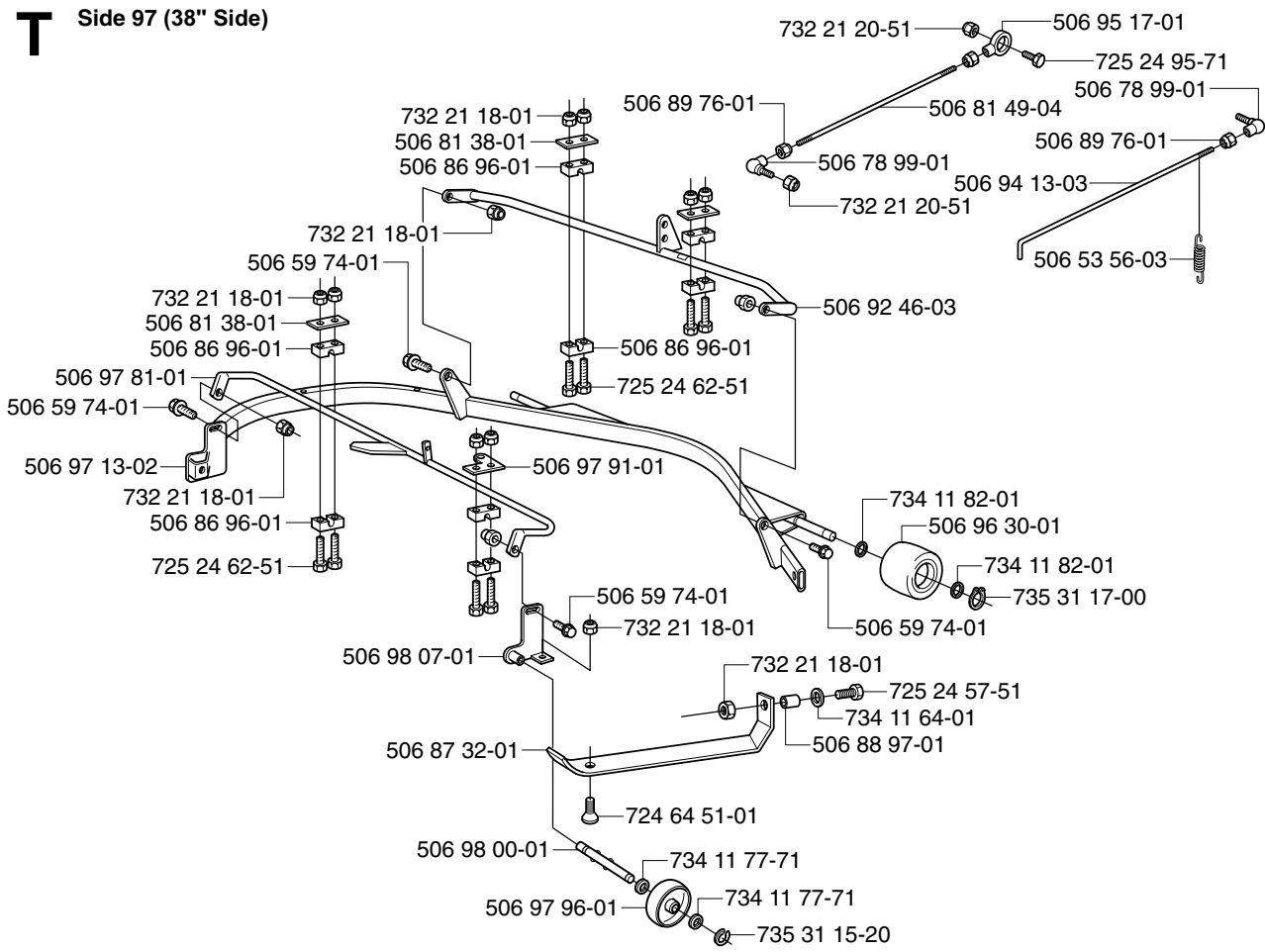


S Combi 103 (41" Combi-Cut)

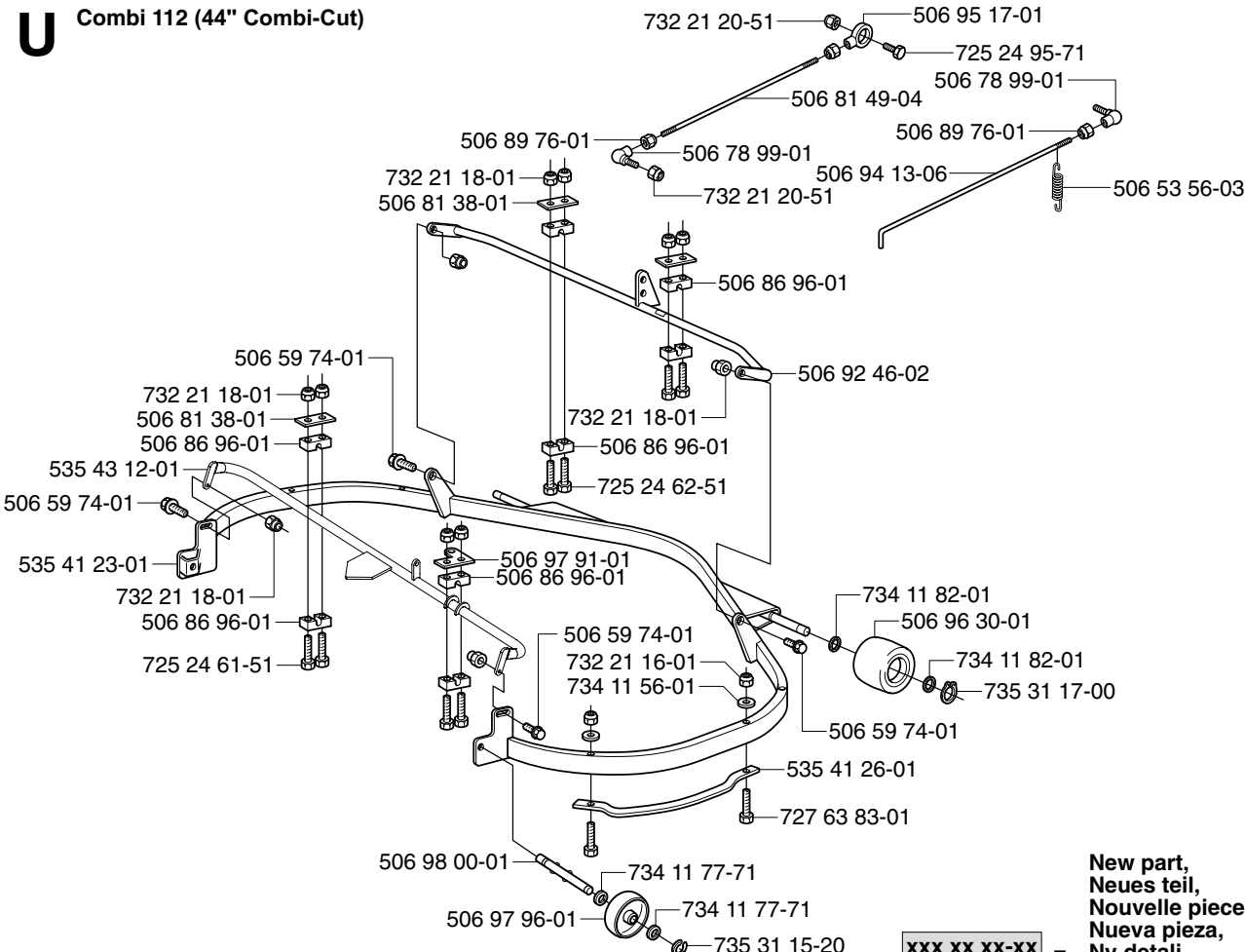


**xxx xx xx-xx = New part,
Neues teil,
Nouvelle piece,
Nueva pieza,
Ny detalj**

T Side 97 (38" Side)



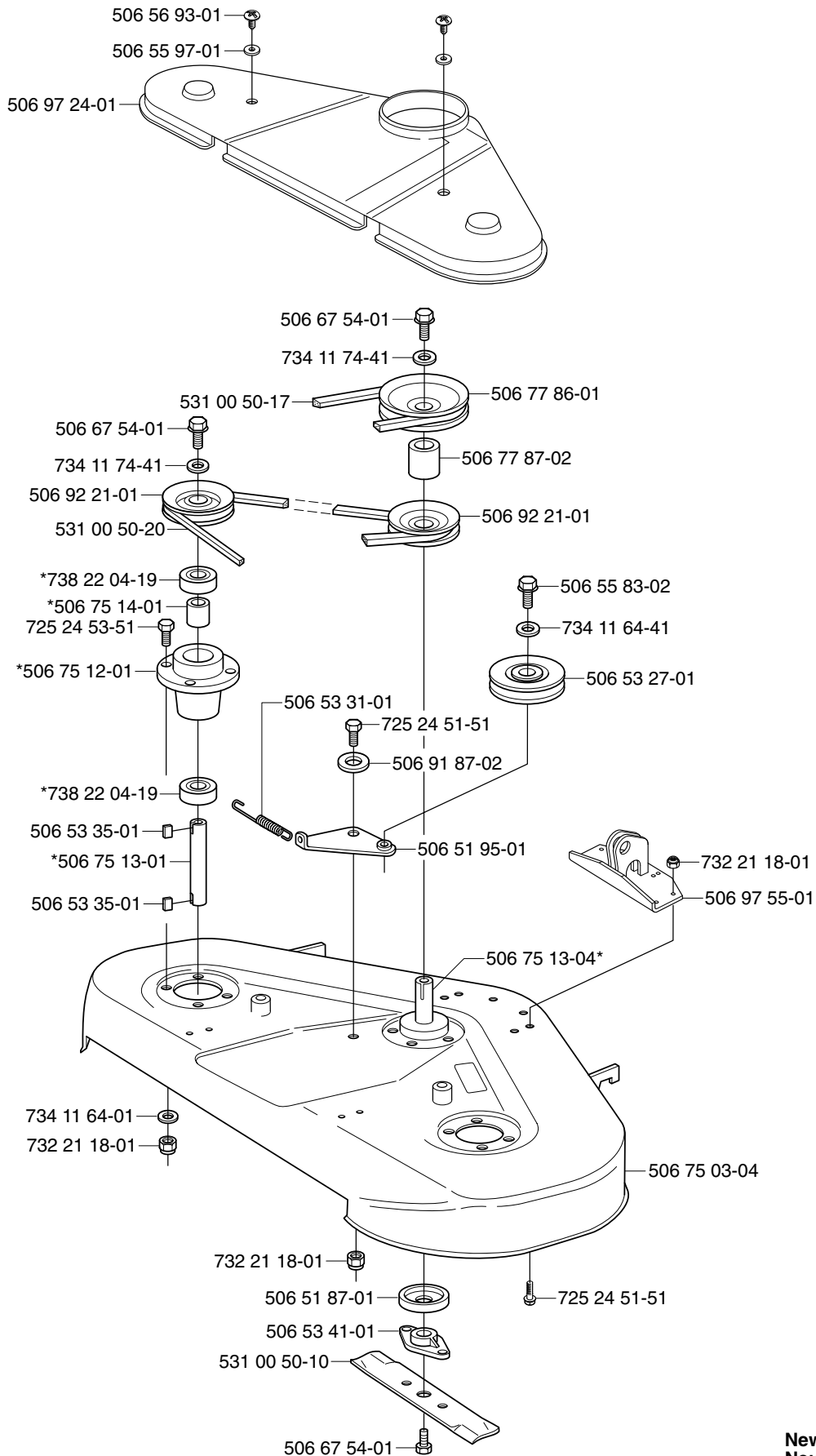
U Combi 112 (44" Combi-Cut)



**New part,
Neues teil,
Nouvelle piece,
Nueva pieza,
Ny detalj**

xxx xx xx-xx =

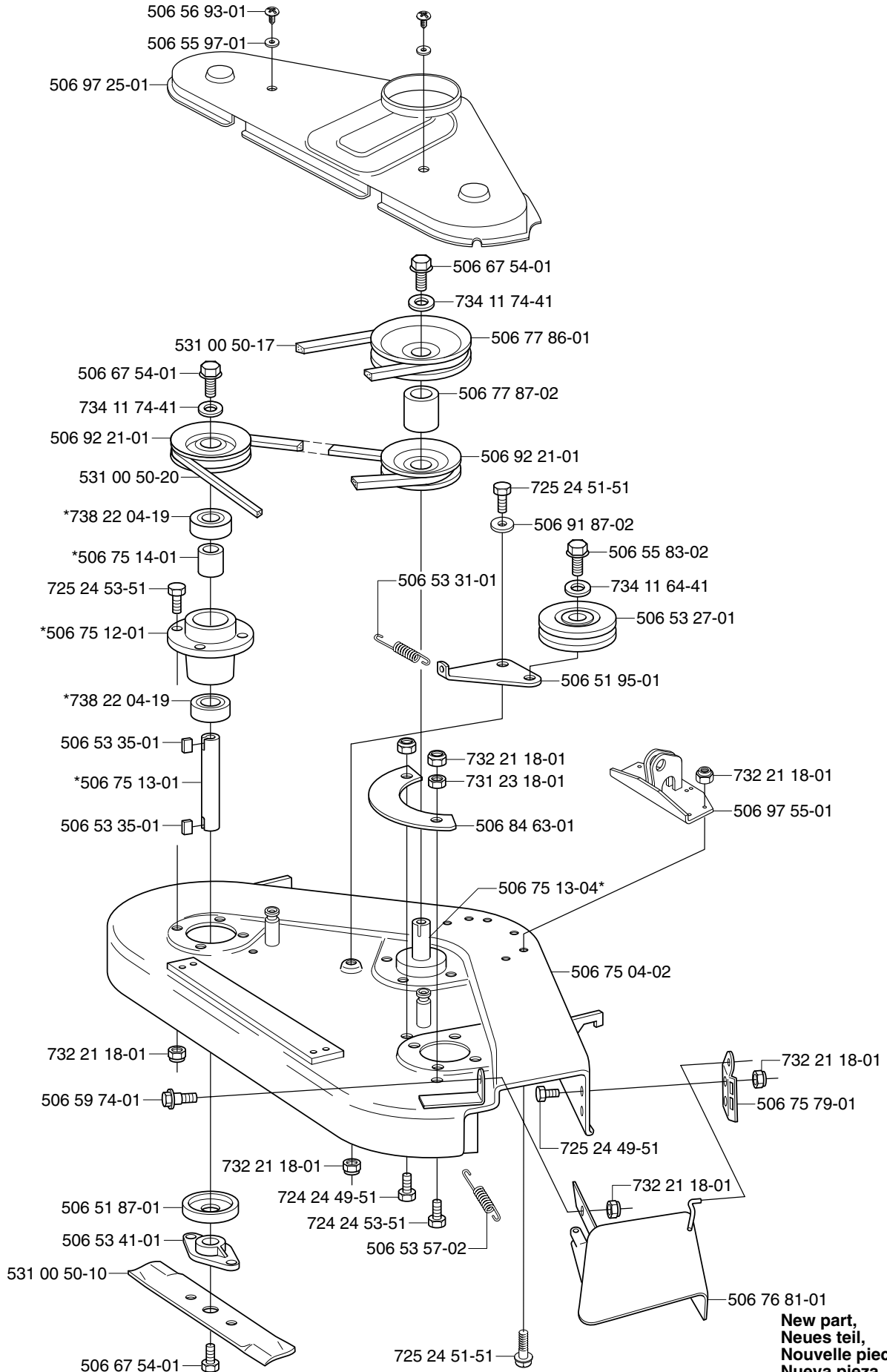
V Rear 97 (38" Rear)
 *compl 506 75 11-01 Yttre. Outer. Exterior. Äusser. Ulko.
 *compl 506 75 11-04 Mitten. Centre. Centre. Zentrum. Keski.



New part,
 Neues teil,
 Nouvelle piece,
 Nueva pieza,
 Ny detalj

xxx xx xx-xx =

W Side 97 (38" Side)
 *compl 506 75 11-01 Yttre. Outer. Exterior. Äusser. Ulko.
 *compl 506 75 11-04 Mitten. Centre. Centre. Zentrum. Keski.

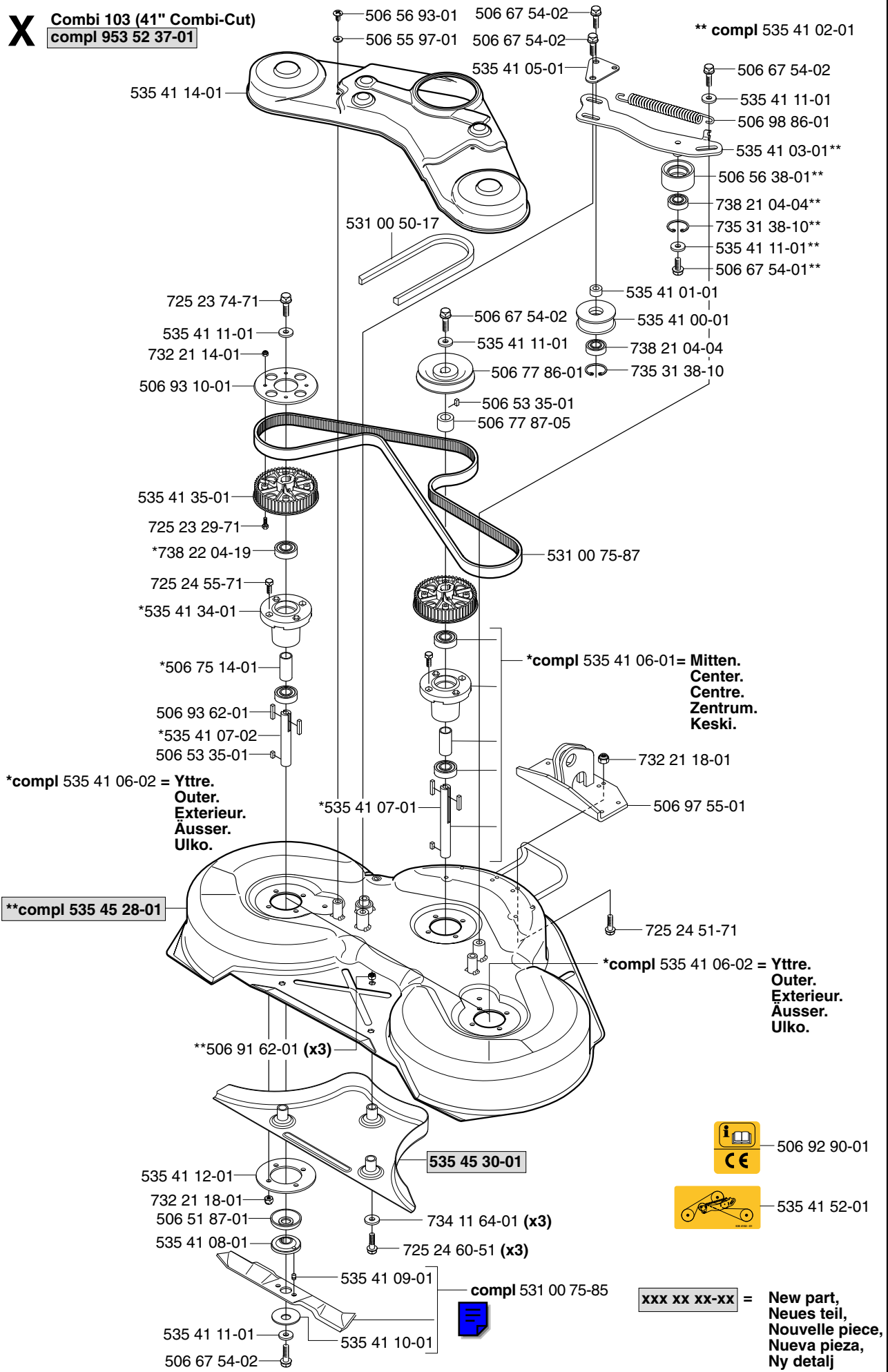


**New part,
 Neues teil,
 Nouvelle piece,
 Nueva pieza,
 Ny detalj**

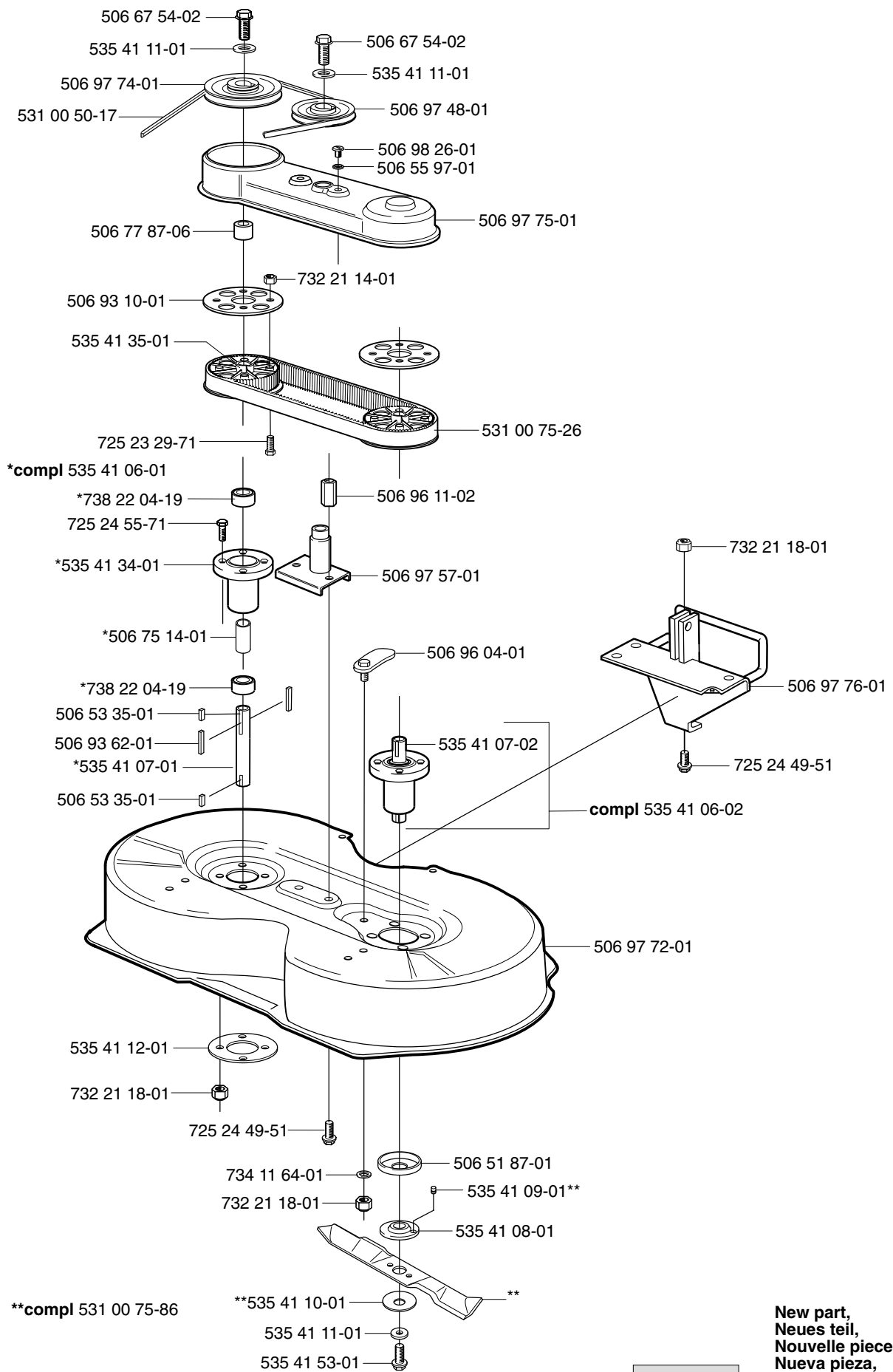
xxx xx xx-xx =

X Combi 103 (41" Combi-Cut)
compl 953 52 37-01

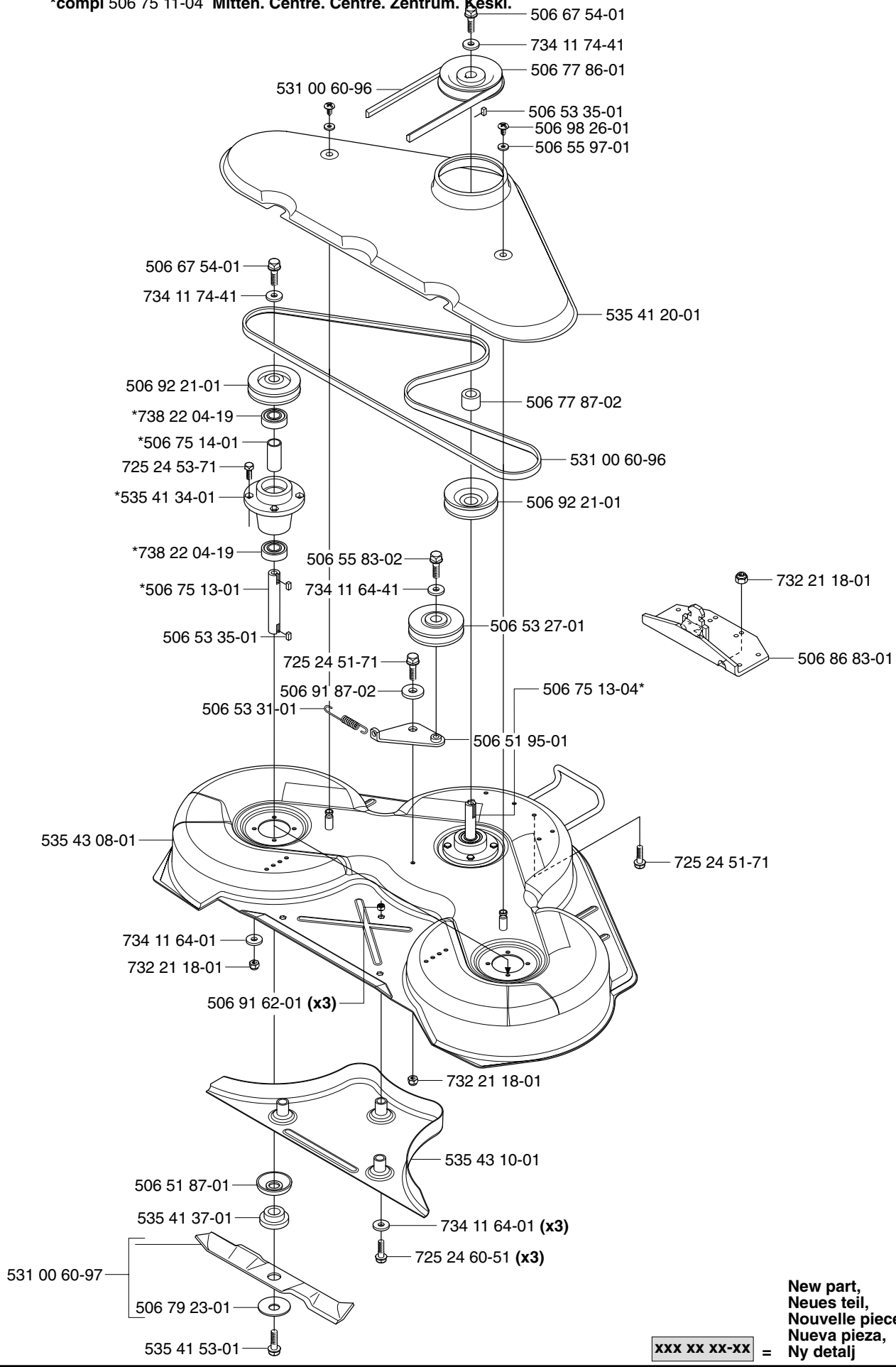
** compl 535 41 02-01



Y Bio 90 (36" Mulch)



Z Combi 112 (44" Combi-Cut)
 *compl 506 75 11-01 Yttre. Outer. Exterieur. Äusser. Ulko.
 *compl 506 75 11-04 Mitten. Centre. Centre. Zentrum. Keski.



New part,
 Neues teil,
 Nouvelle piece,
 Nueva pieza,
 Ny detalj

xxx xx xx-xx =