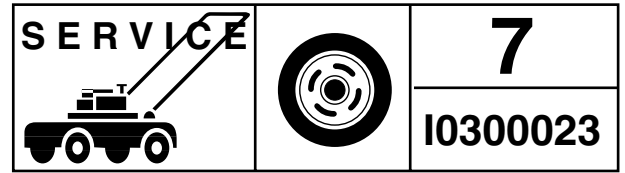


For Husqvarna Parts Call 606-678-9623 or 606-561-4983



IPL, Rider 155, 2003-01, 106 29 82-61

# Rider 155

**Spare parts**

**Ersatzteile**

**Pièces détachées**

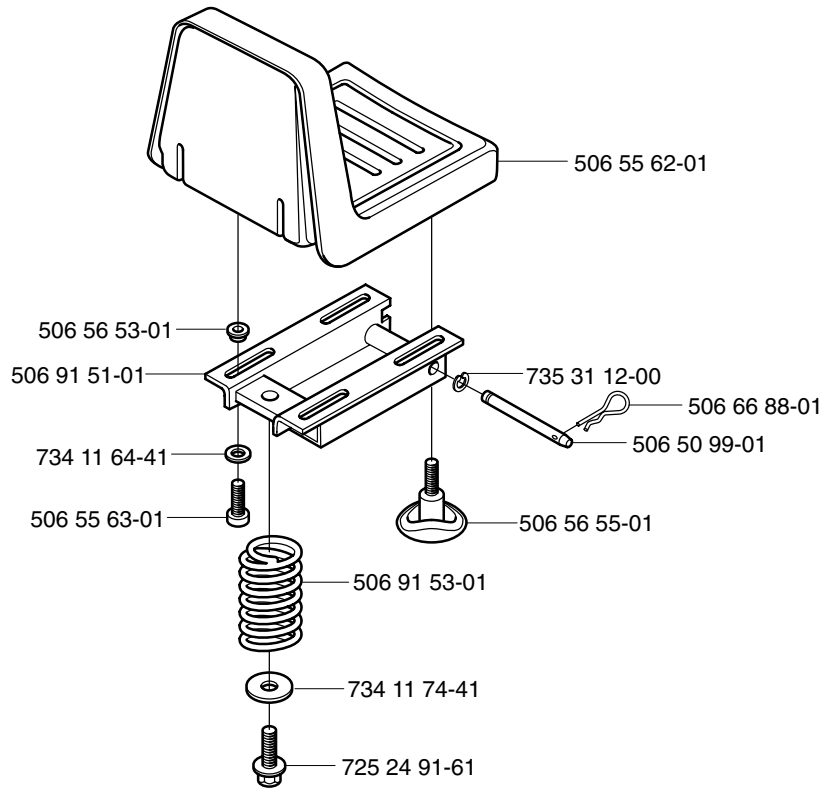
**Reserve onderdelen**

**Repuestos**

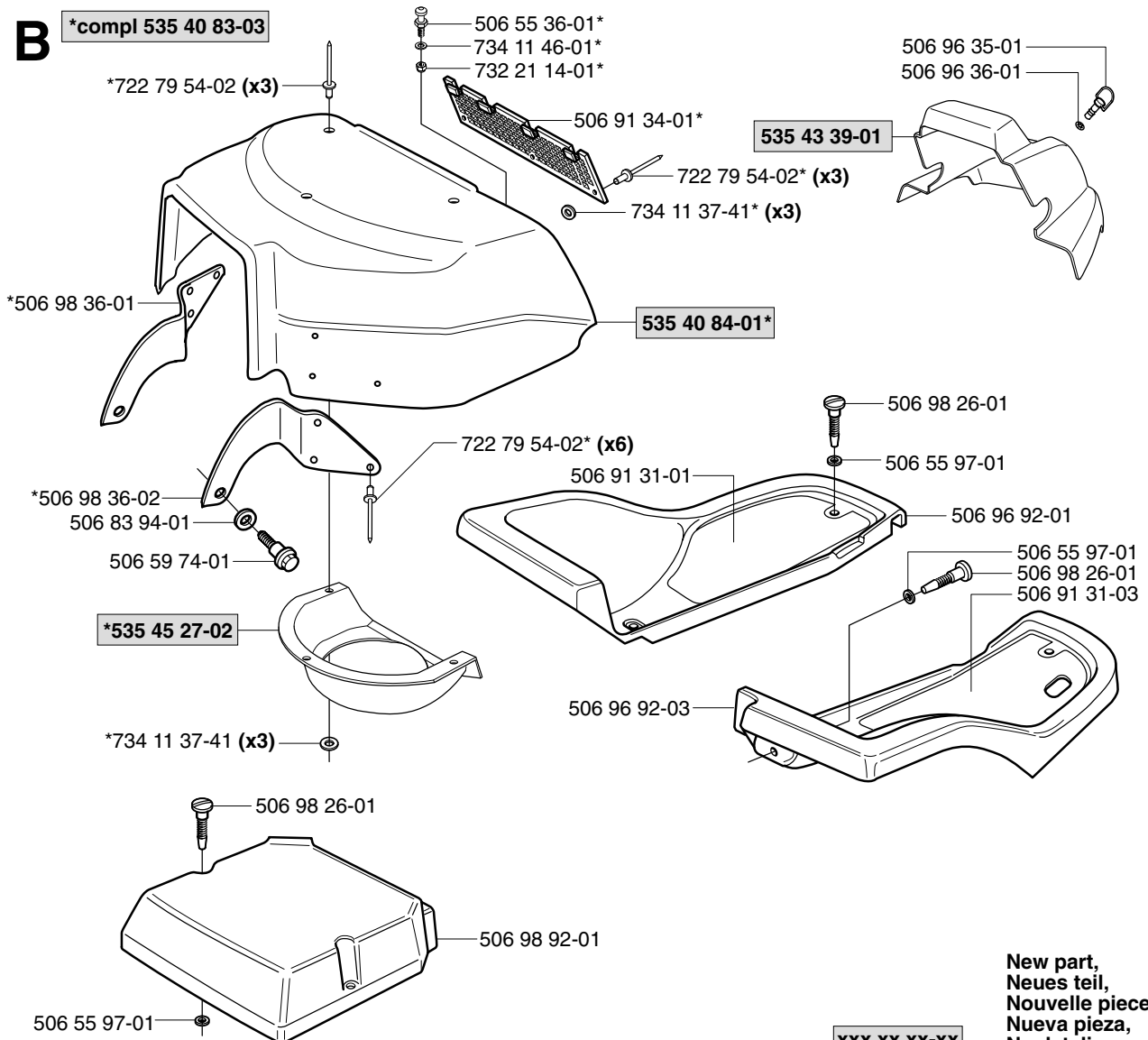
**Reservdelar**

106 29 82-61

**A**



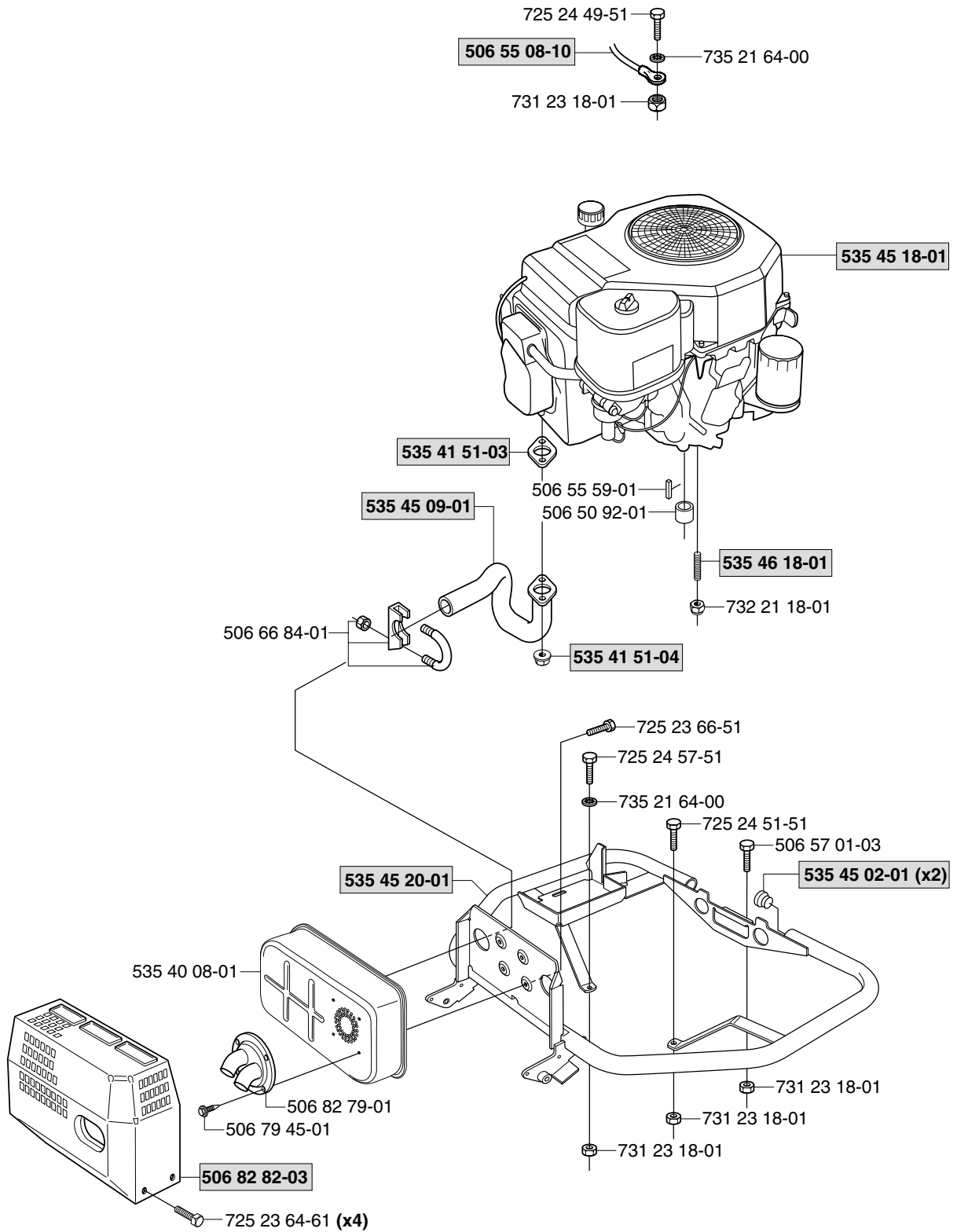
**B**



New part,  
Neues teil,  
Nouvelle piece,  
Nueva pieza,  
Ny detalj

xxx xx xx-xx =

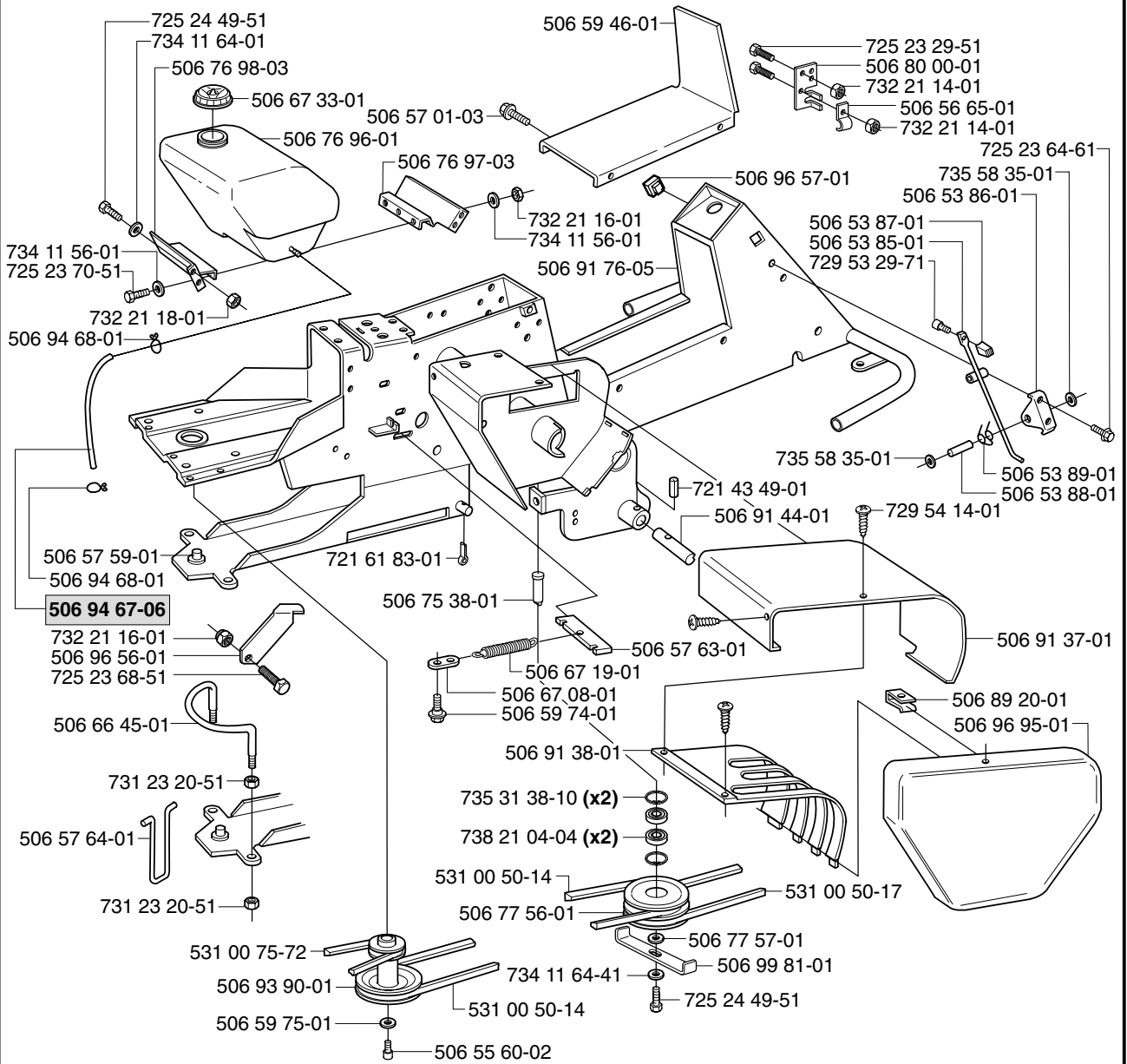
**C**



New part,  
 Neues teil,  
 Nouvelle piece,  
 Nueva pieza,  
 Ny detalj

**xxx xx xx-xx** =

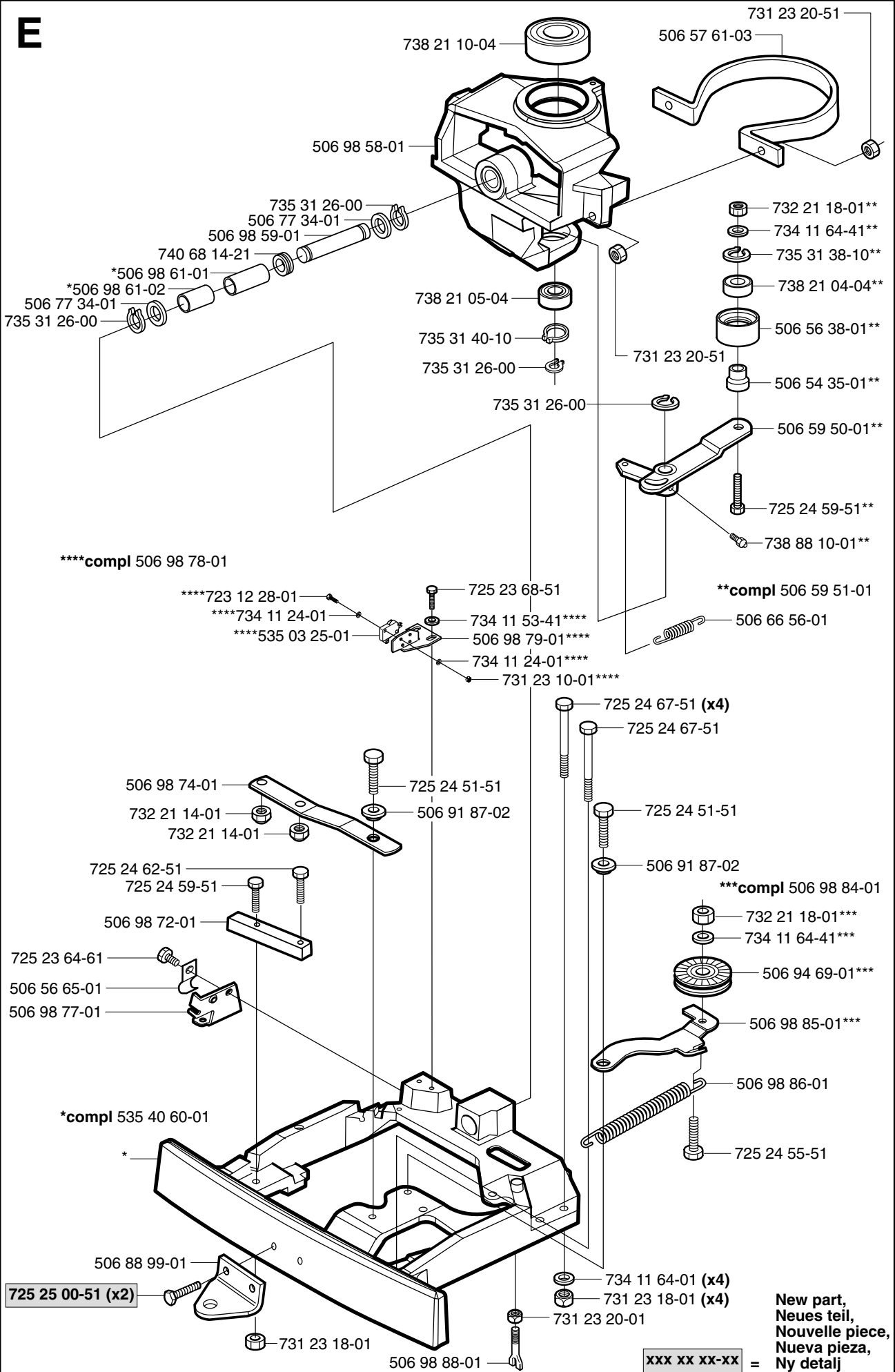
**D**



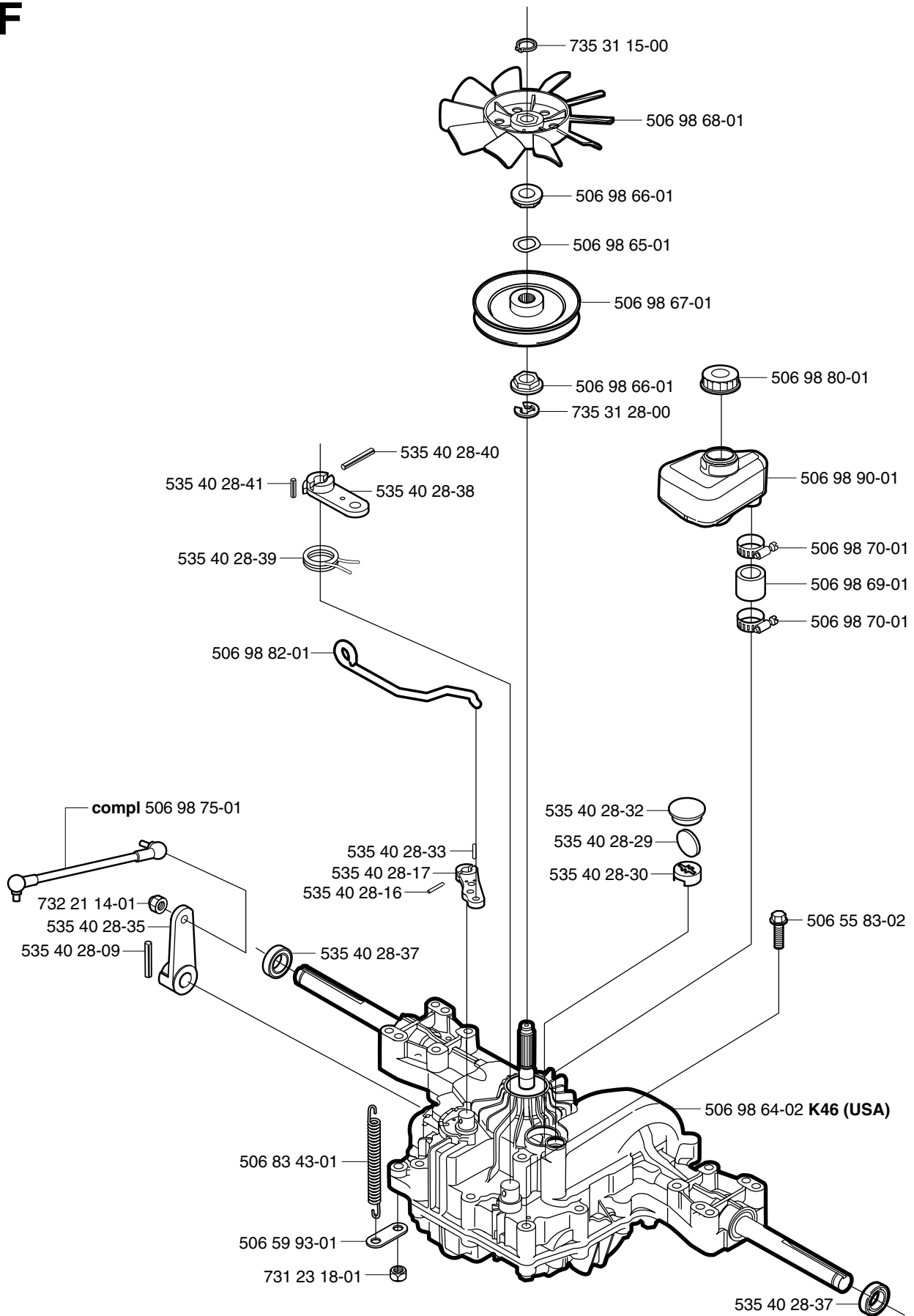
New part,  
Neues teil,  
Nouvelle piece,  
Nueva pieza,  
Ny detalj

xxx xx xx-xx =

**E**



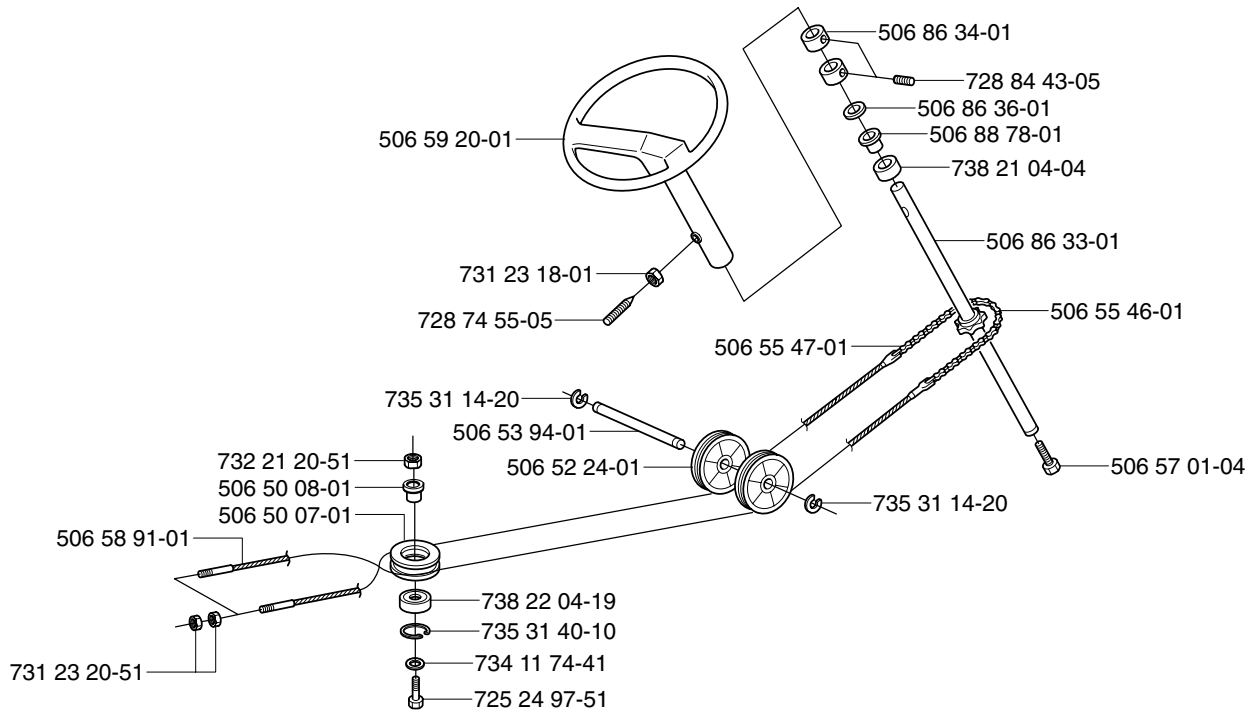
**F**



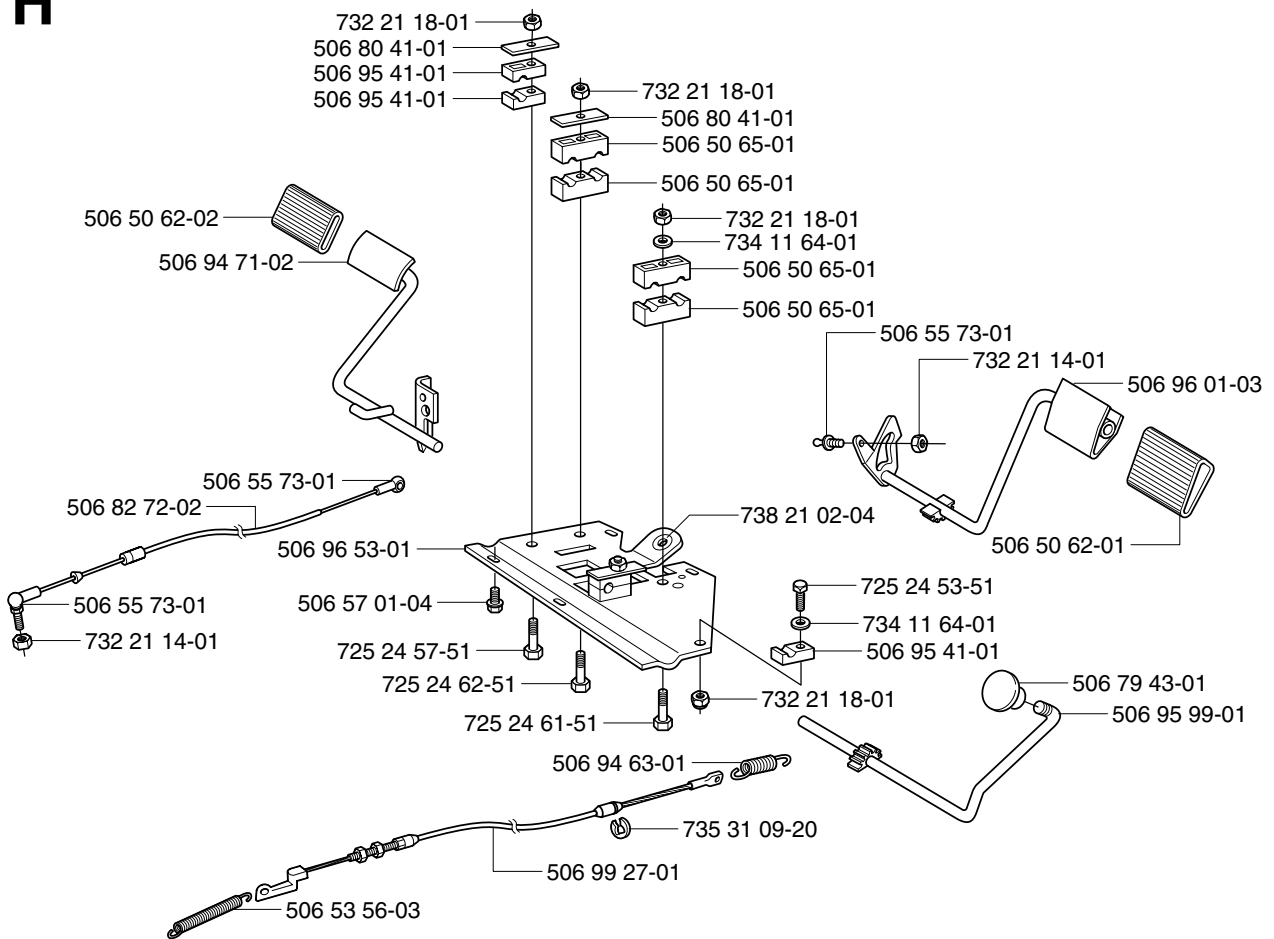
New part,  
Neues teil,  
Nouvelle piece,  
Nueva pieza,  
Ny detalj

xxx xx xx-xx =

**G**



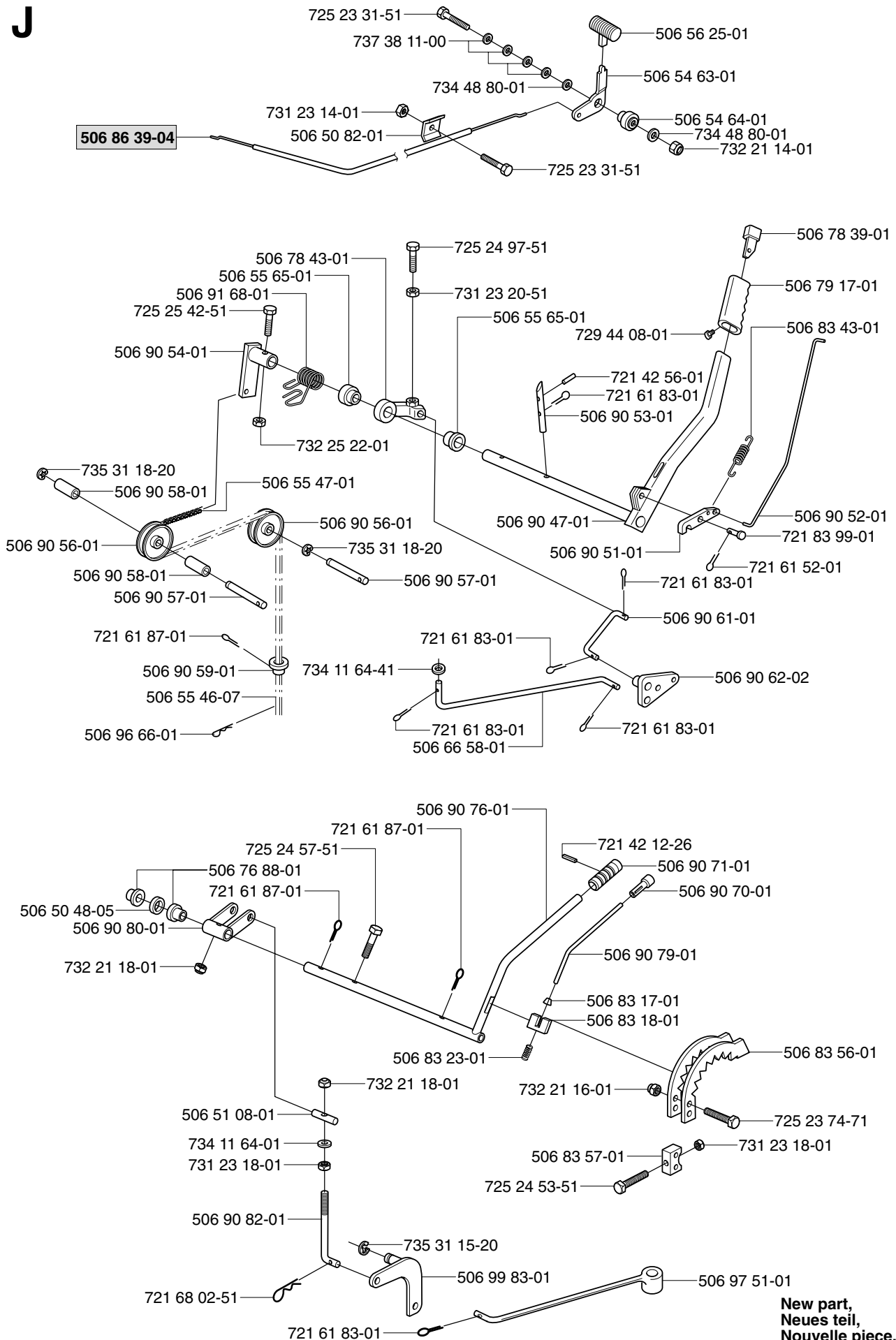
**H**



New part,  
 Neues teil,  
 Nouvelle piece,  
 Nueva pieza,  
 Ny detalj

xxx xx xx-xx =

**J**

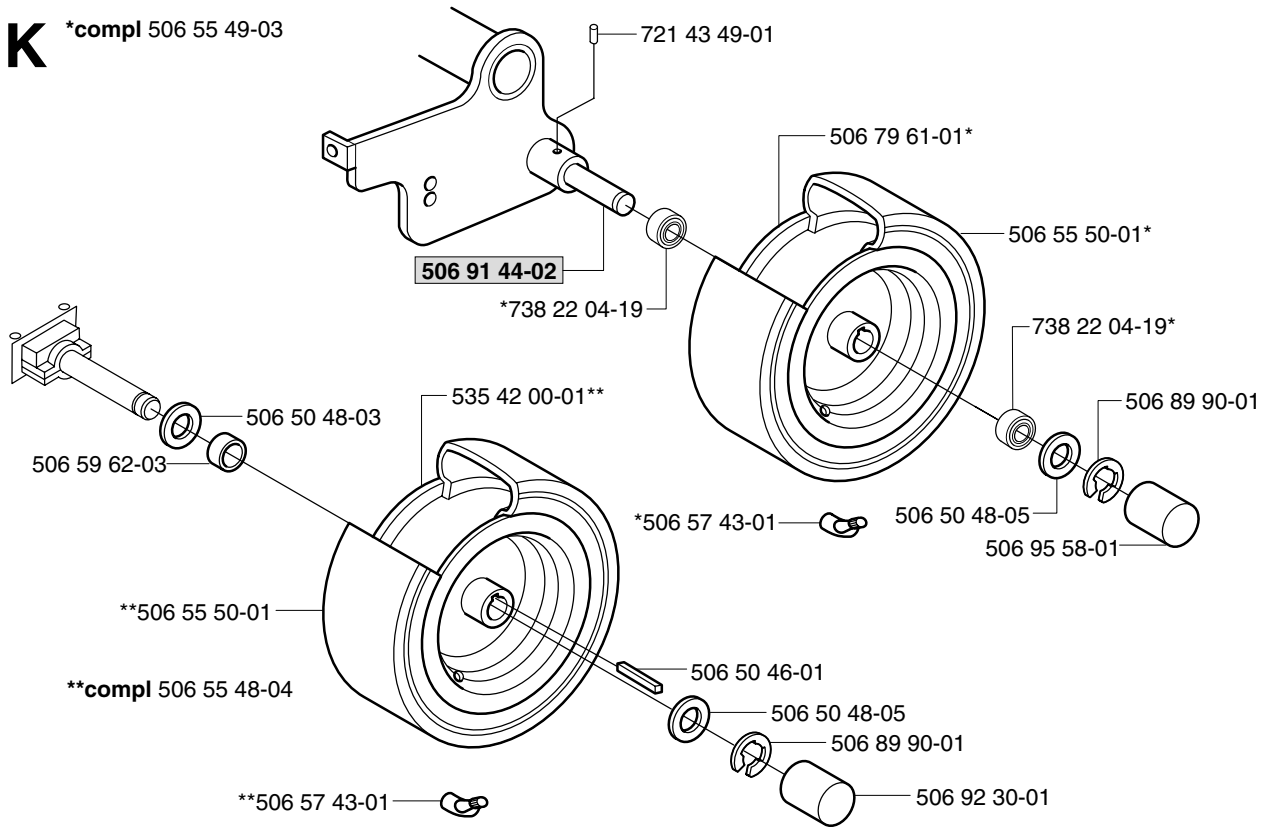


**New part,  
 Neues teil,  
 Nouvelle piece,  
 Nueva pieza,  
 Ny detalj**

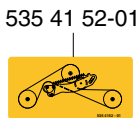
**xxx xx xx-xx =**



**K** \*compl 506 55 49-03



**L** Start/Warning  
506 94 92-01



Import decal  
506 98 39-01

Husqvarna Forest & Garden  
9006 Perimeter Woods Dr.  
Charlotte, NC 28216, USA



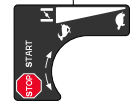
CPSC  
506 67 62-01



Standard decal  
506 88 07-02



506 84 28-01



506 84 28-03



506 91 57-01



535 45 00-01



535 44 98-01



535 44 99-01



535 45 01-01 (x2)



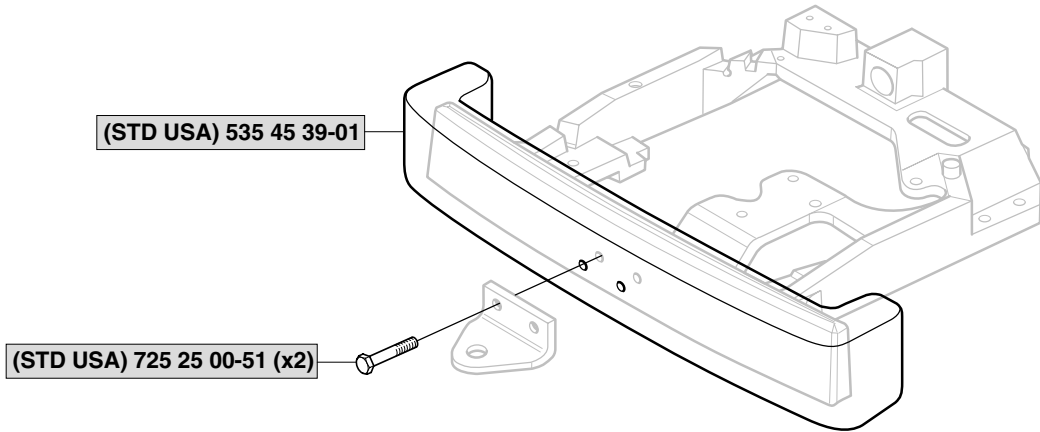
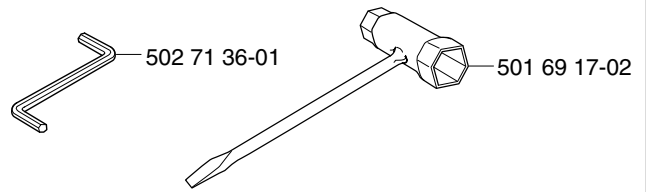
535 45 42-01 **Rider 155**

**Rider 155** 535 45 42-02

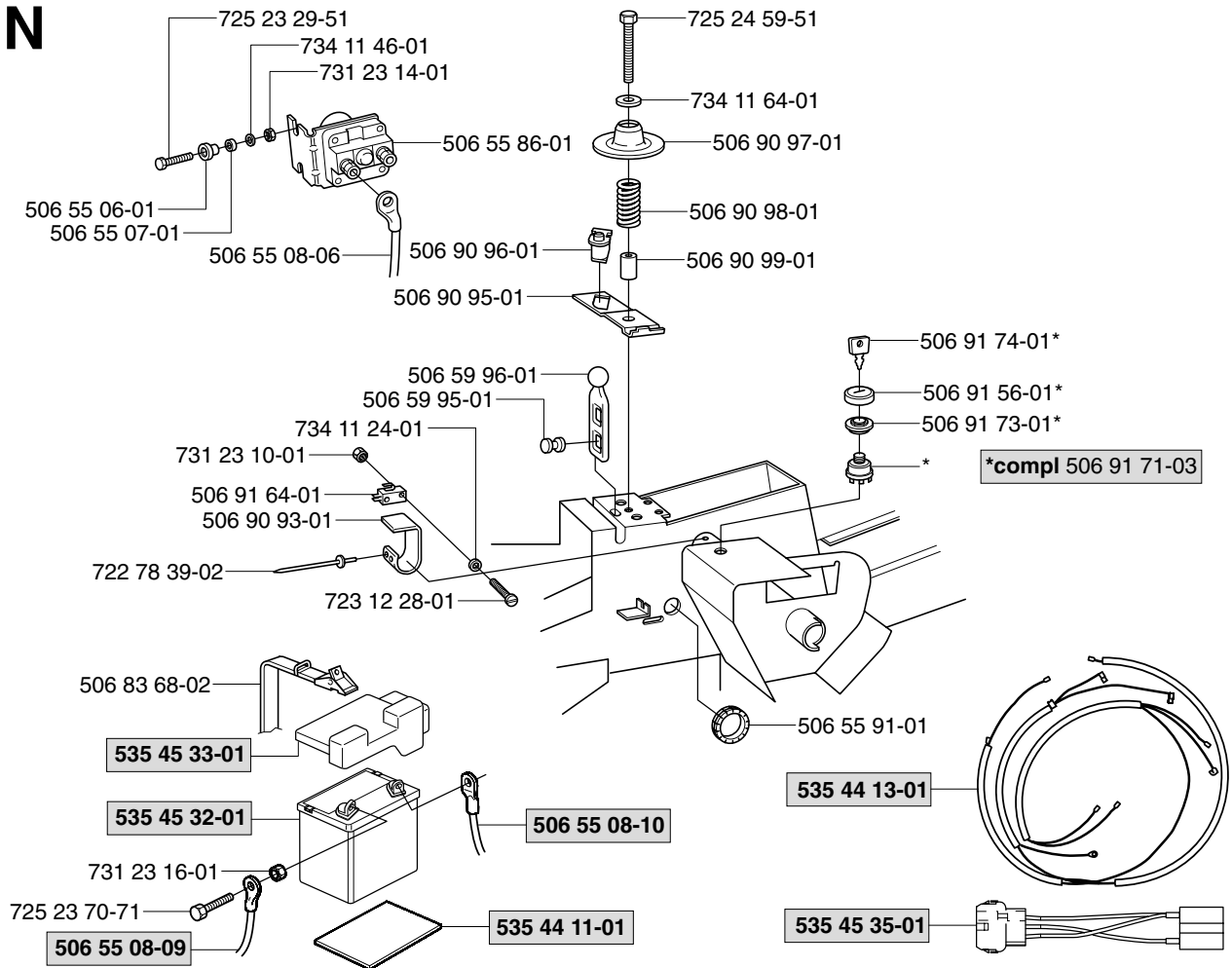
New part,  
Neues teil,  
Nouvelle piece,  
Nueva pieza,  
Ny detalj

xxx xx xx-xx =

**M** Leverans endast som reservdel  
 Delivery as spare part only  
 Nur als Ersatzteil lieferbar  
 Livrable seulement comme pièce de rechange  
 Solo como repuesto  
 Zasila se jenom jako náhradni dil



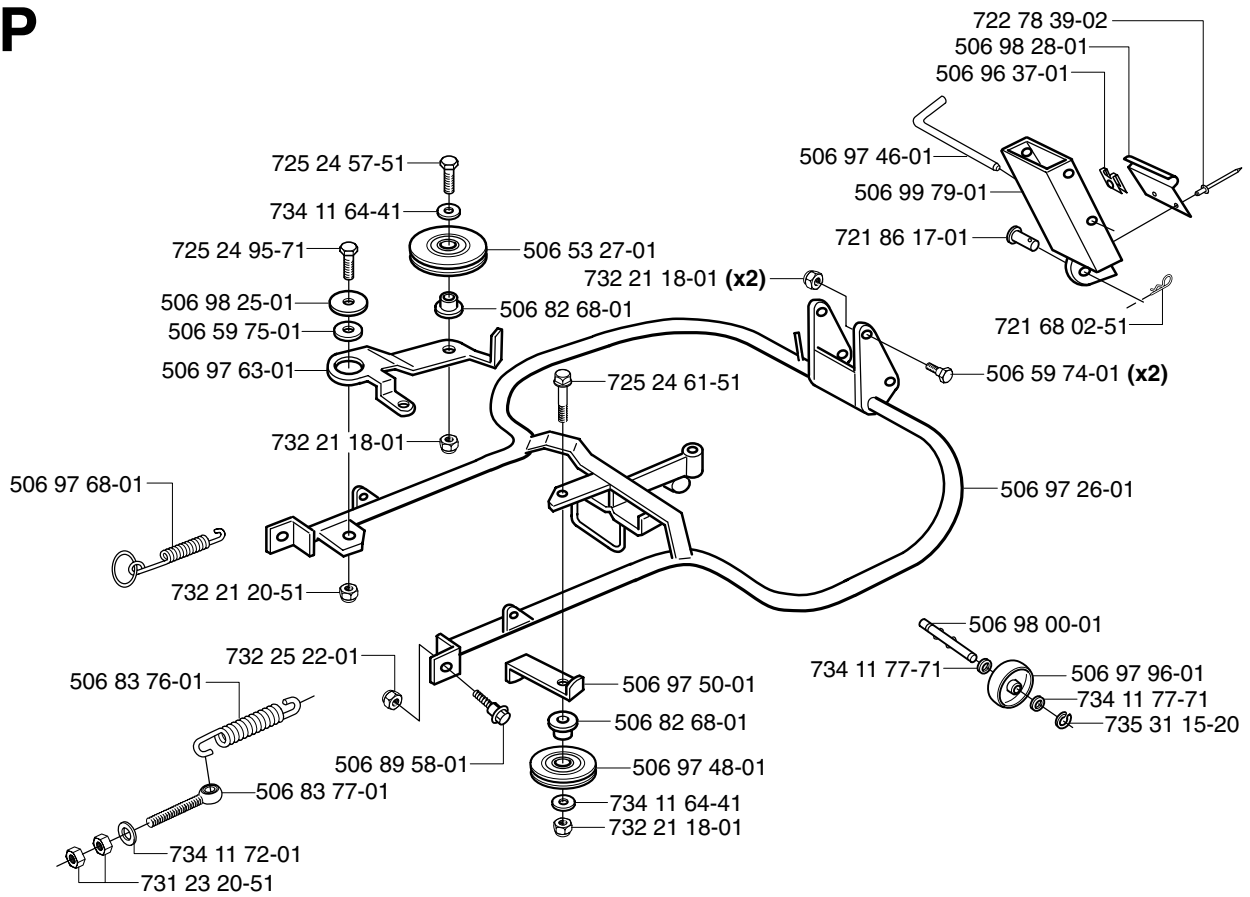
**N**



New part,  
 Neues teil,  
 Nouvelle piece,  
 Nueva pieza,  
 Ny detalj

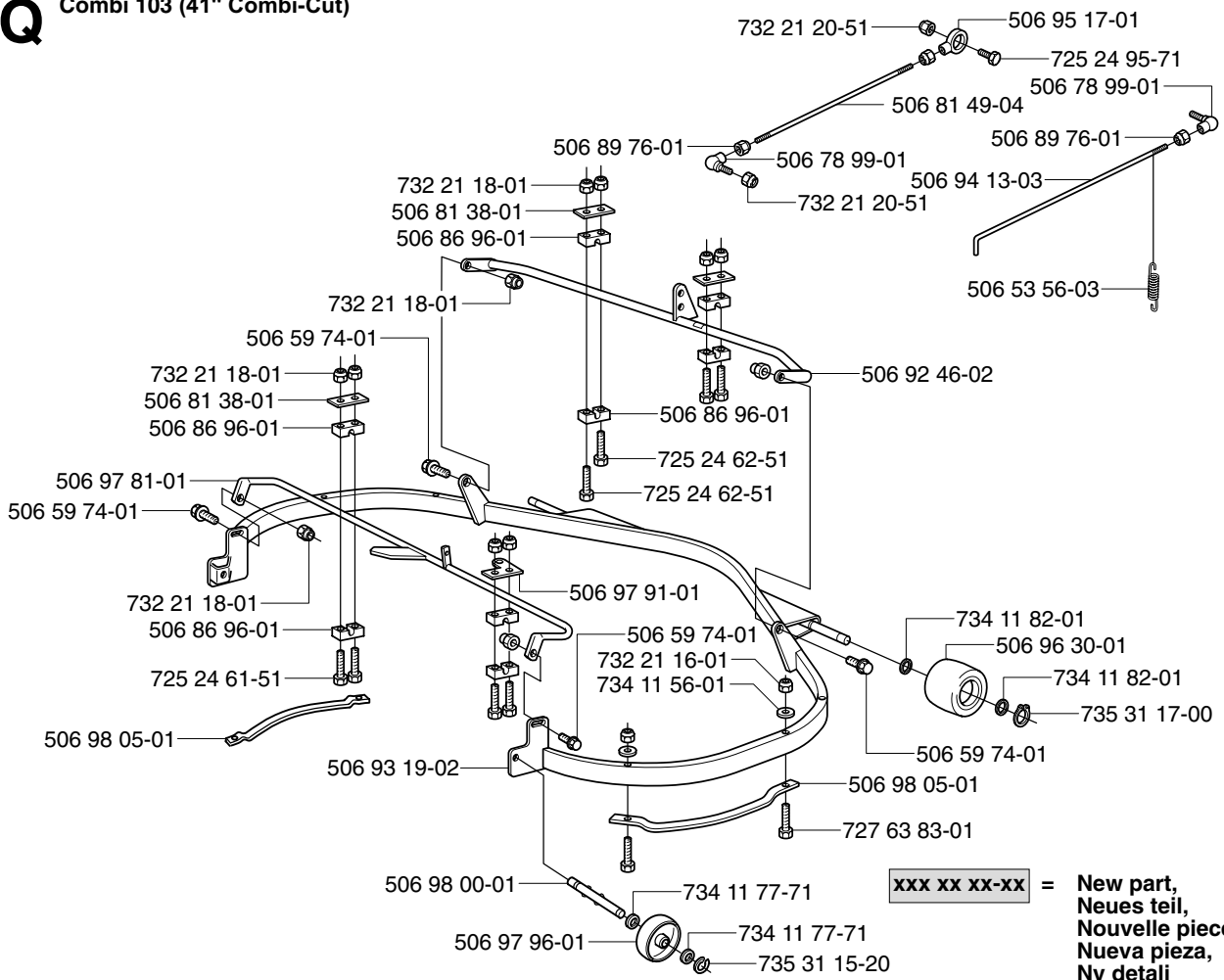
xxx xx xx-xx =

**P**



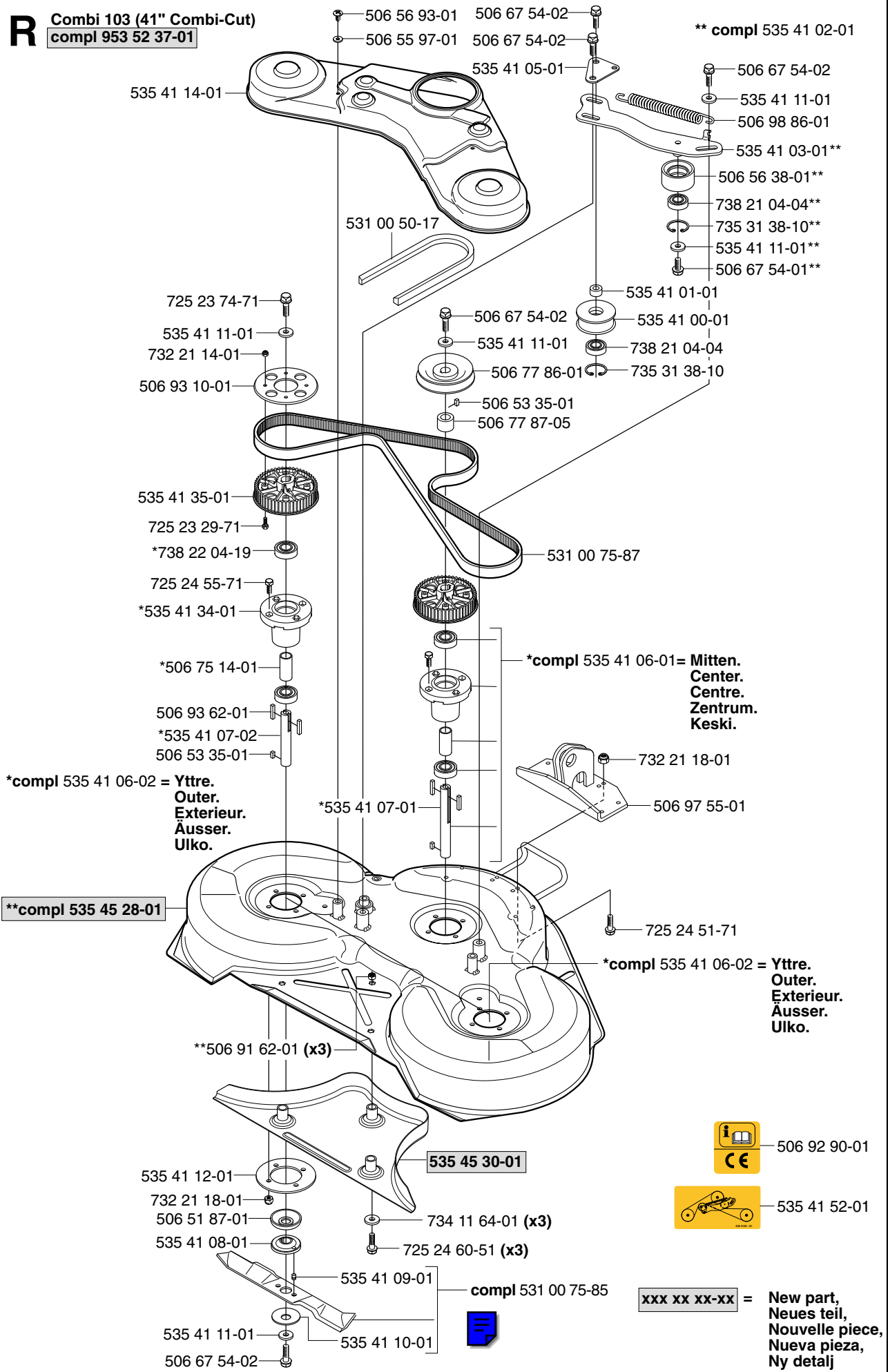
**Q**

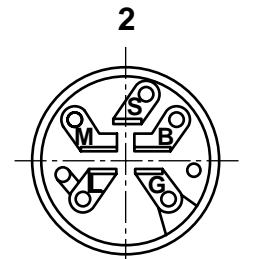
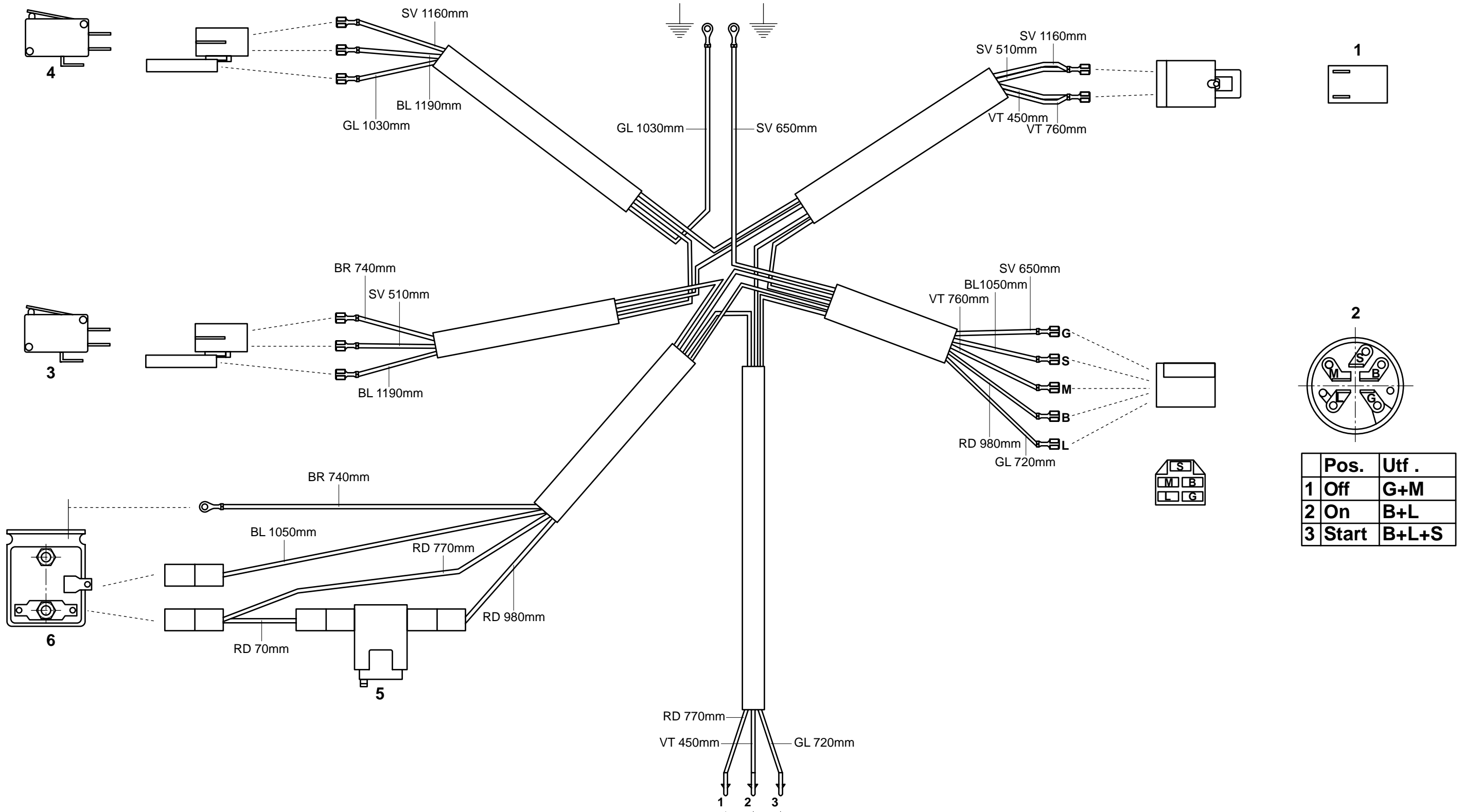
Combi 103 (41" Combi-Cut)



**xxx xx xx-xx = New part,  
Neues teil,  
Nouvelle piece,  
Nueva pieza,  
Ny detalj**

**R** Combi 103 (41" Combi-Cut)  
compl 953 52 37-01

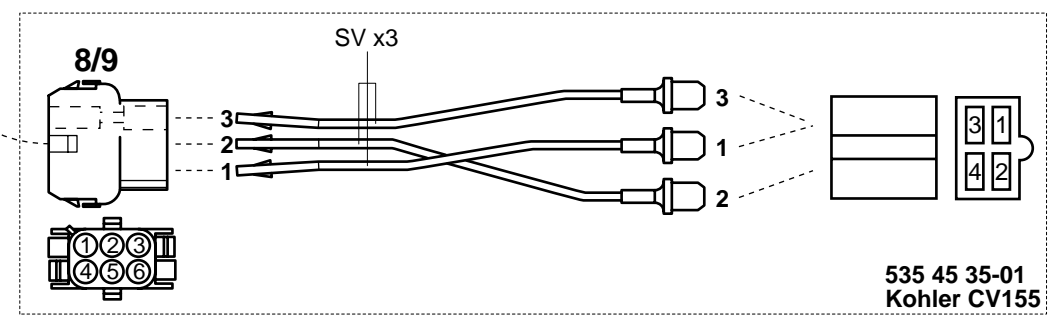




Pos.	Utf .
1	Off G+M
2	On B+L
3	Start B+L+S

- 1. Microswitch, seat
- 2. Ignition lock
- 3. Microswitch, lifting lever
- 4. Microswitch, gear position
- 5. Fuse 15A
- 6. Starter relay
- 7. Engine/charging
- 8. Engine/stop
- 9. Engine/fuel valve

Key to colour abbreviations in the electrical system  
 SV = Black  
 RD = Red  
 BR = Brown  
 BL = Blue  
 VT = White  
 GL = Yellow



535 45 35-01  
 Kohler CV155