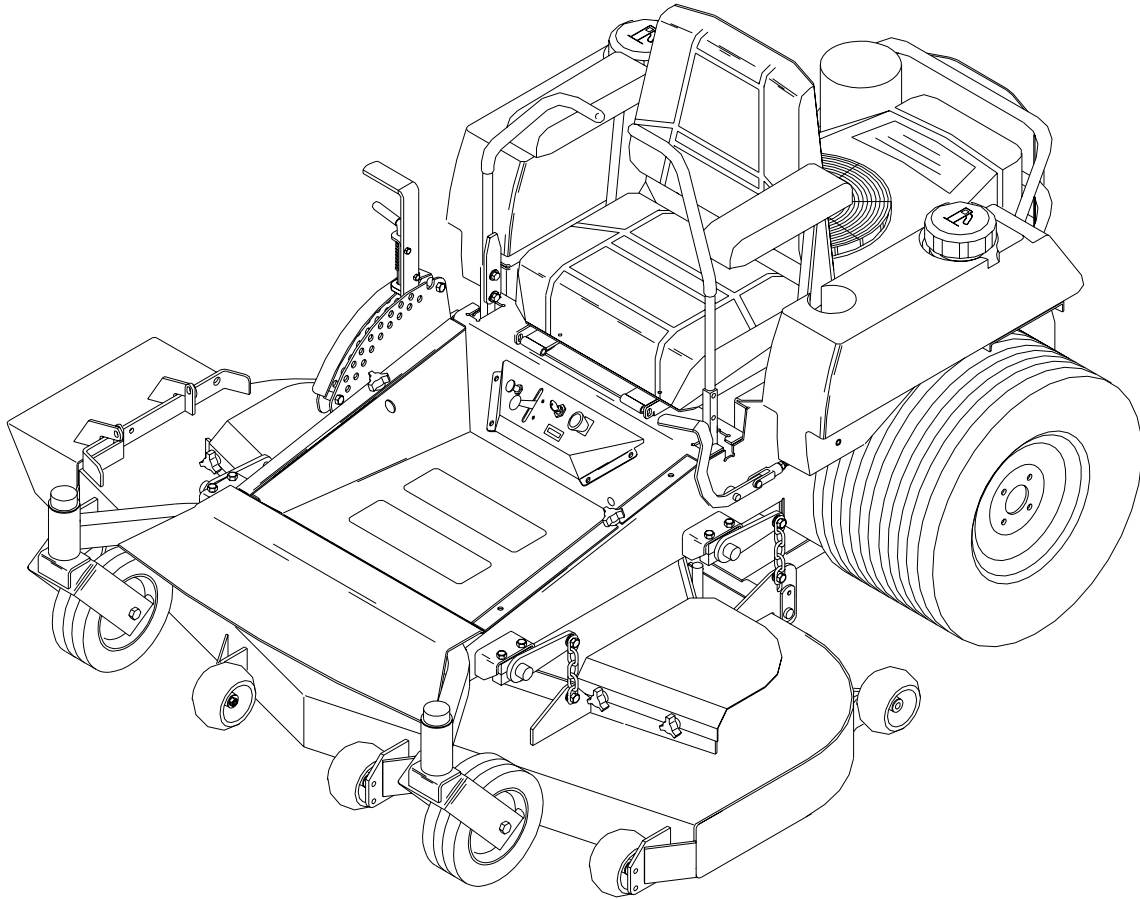


For Husqvarna Parts Call 606-678-9623 or 606-561-4983

# Husqvarna



## Parts Manual

## Models:

968999175 / ZTH7226KOA  
968999180 / ZTH5221KAA  
968999181 / ZTH5223KAA  
968999182 / ZTH5223KOA  
968999183 / ZTH5223KOLA  
968999184 / ZTH5225KOA  
968999185 / ZTH5225KAA  
968999186 / ZTH6125KAA  
968999187 / ZTH6125KOA  
968999188 / ZTH6126KOA  
968999189 / ZTH6123KOLA  
968999202 / ZTH7227KOA  
968999203 / ZTH6123KAA  
968999224/ZTH6127KOB  
968999225/ZTH7227KOB  
968999201/ZTH6127KOA

MANUAL 539107973 REV. IR (10/10/02)

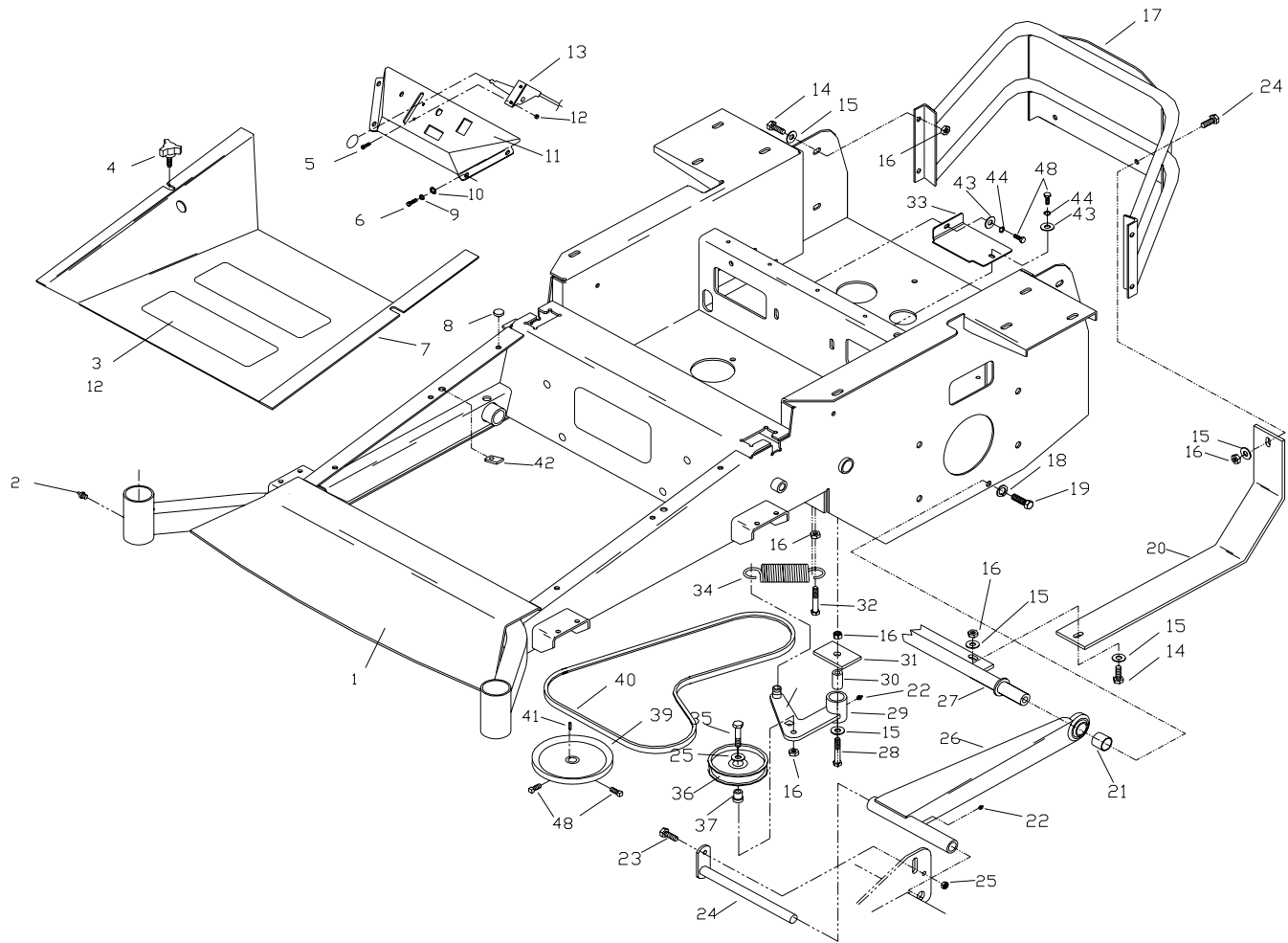
[www.mymowerparts.com](http://www.mymowerparts.com)



## TABLE OF CONTENTS

MAIN FRAME ASSEMBLY .....	4
EFI ENGINE ASSEMBLY .....	6
KAWASAKI ENGINE ASSEMBLY .....	8
KOHLER ENGINE ASSEMBLY .....	10
LIQUID COOL KOHLER ENGINE ASSEMBLY .....	12
52" FRONT DECK ASSEMBLY .....	14
61" FRONT DECK ASSEMBLY .....	16
72" FRONT DECK ASSEMBLY .....	18
MOTION CONTROL ASSEMBLY .....	20
DECK LIFT ASSEMBLY .....	22
PARK BRAKE ASSEMBLY .....	24
HYDRAULIC SYSTEM ASSEMBLY .....	26
CASTER ASSEMBLIES .....	28
EFI FUEL ASSEMBLY .....	30
KAWASAKI AND KOHLER ASSEMBLIES .....	32
STANDARD SEAT ASSEMBLY .....	33
SUSPENSION SEAT ASSEMBLY .....	34
WIRING ASSEMBLY .....	36
DECAL PLACEMENT ASSEMBLY .....	38

# Main Frame Assembly



## Main Frame Assembly

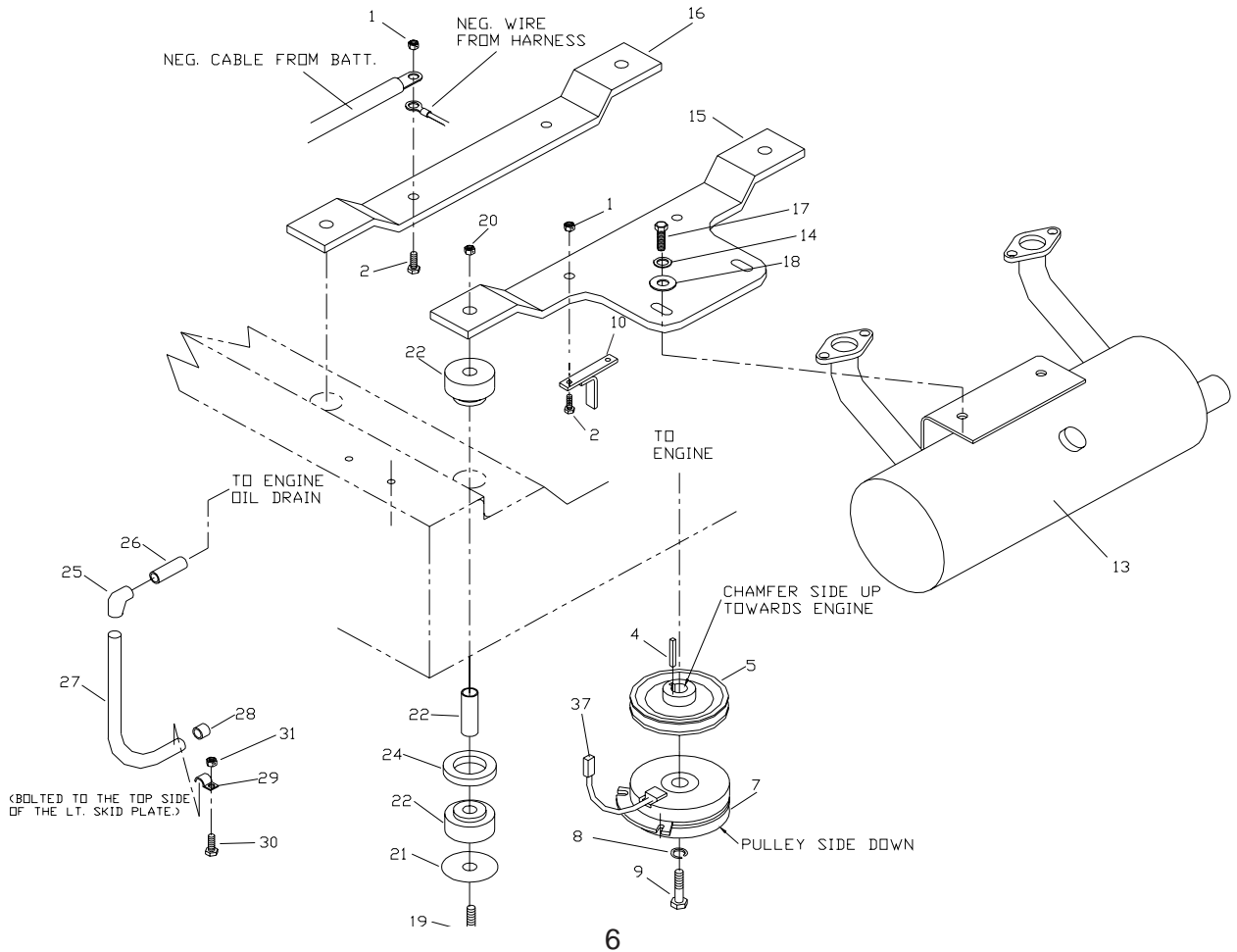
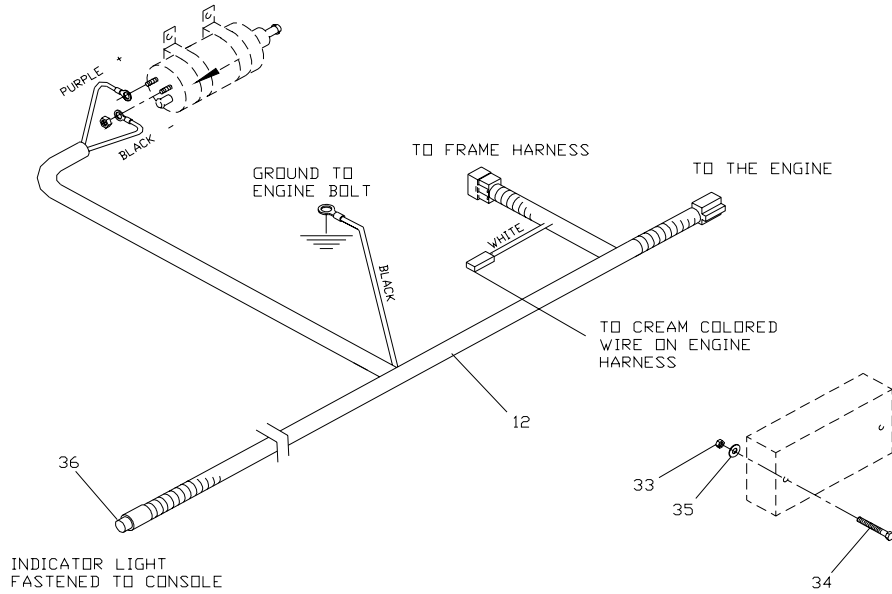
ITEM	PART NO.	QTY	DESCRIPTION	ITEM	PART NO.	QTY	DESCRIPTION
1	539105492	1	FRAME 72" MODEL	24	539102619	2	STRUT PIN
	539105886	1	FRAME 52" & 61"	25	539990184	2	NUT 5/16 LOCK
2	539101474	2	ZERK	26	539104390	2	STRUT
3	539977778	3	ANTI SKID PAD	27	539105478	1	CROSS SHAFT 72"
4	539104411	2	KNOB		539104332	1	CROSS SHAFT 52" & 61"
5	539990411	2	HCS # 10 X 1/2	28	539103433	1	HCS 1/2 X 3.25
6	539990362	4	1/4 x 5/8 SELF TAP	29	539104388	1	IDLER ARM
7	539104721	1	FOOT PLATE	30	539103427	1	PIVOT BUSHING
8	539102587	6	BUMPER	31	539102236	1	SUPPORT PLATE
9	539990052	4	1/4 LOCK WASHER	32	539990655	1	HCS 3/8 X 1.5
10	539990598	4	1/4 FLAT WASHER	33	539105716	1	IDLER COVER
11	539105151	1	CONSOLE W DECAL	34	539103256	1	SPRING
12	539976977	2	NUT #10 NYLOC	35	539990730	1	HCS 3/8 X 1.75
13	539102732	1	THROTTLE CABLE	36	539976688	1	IDLER PULLEY
14	539990563	8	HCS 3/8 X 1.0	37	539976695	1	IDLER BUSHING
15	539990517	14	3/8 FLAT WASHER	38	539102717	4	5/16 X 5/8 SETSCW.
16	539990546	10	NUT 3/8 LOCK	39	539101176	2	PULLEY
17	539104329	1	ENGINE GUARD	40	539104334	1	PUMP BELT
18	539990247	2	7/16 LOCK WASHER	41	539101177	2	KEY 5mm SQ.
19	539105905	2	HCS 7/16 X 1.0 GD 8	42	539104763	4	CLIP
20	539105022	2	SKID PLATE	43	539990692	2	5/16 FLAT WASHER
21	539104521	1	STRUT SPACER	44	539990187	2	5/16 LOCK WASHER
22	539976998	3	ZERK	45	539105577	1	STRUT RT. SIDE
23	539976934	4	HCS 5/16 X 3/4				(NOT SHOWN)
				46	539105481	1	STRUT PIN RT. SIDE
							(NOT SHOWN)
				47	539105484	1	STRUT SPACER RT.SIDE
							(NOT SHOWN)
				48	539990209	2	HCS 5/16 X 1.0

**NOTE:**

ITEMS 21, 24, 26 QUANTITY WILL BE 2 FOR 52" AND 61" MODELS.

ITEMS 45, 46, AND 47 ARE SPECIFIC TO 72" MODELS ONLY.

# EFI Engine Assembly



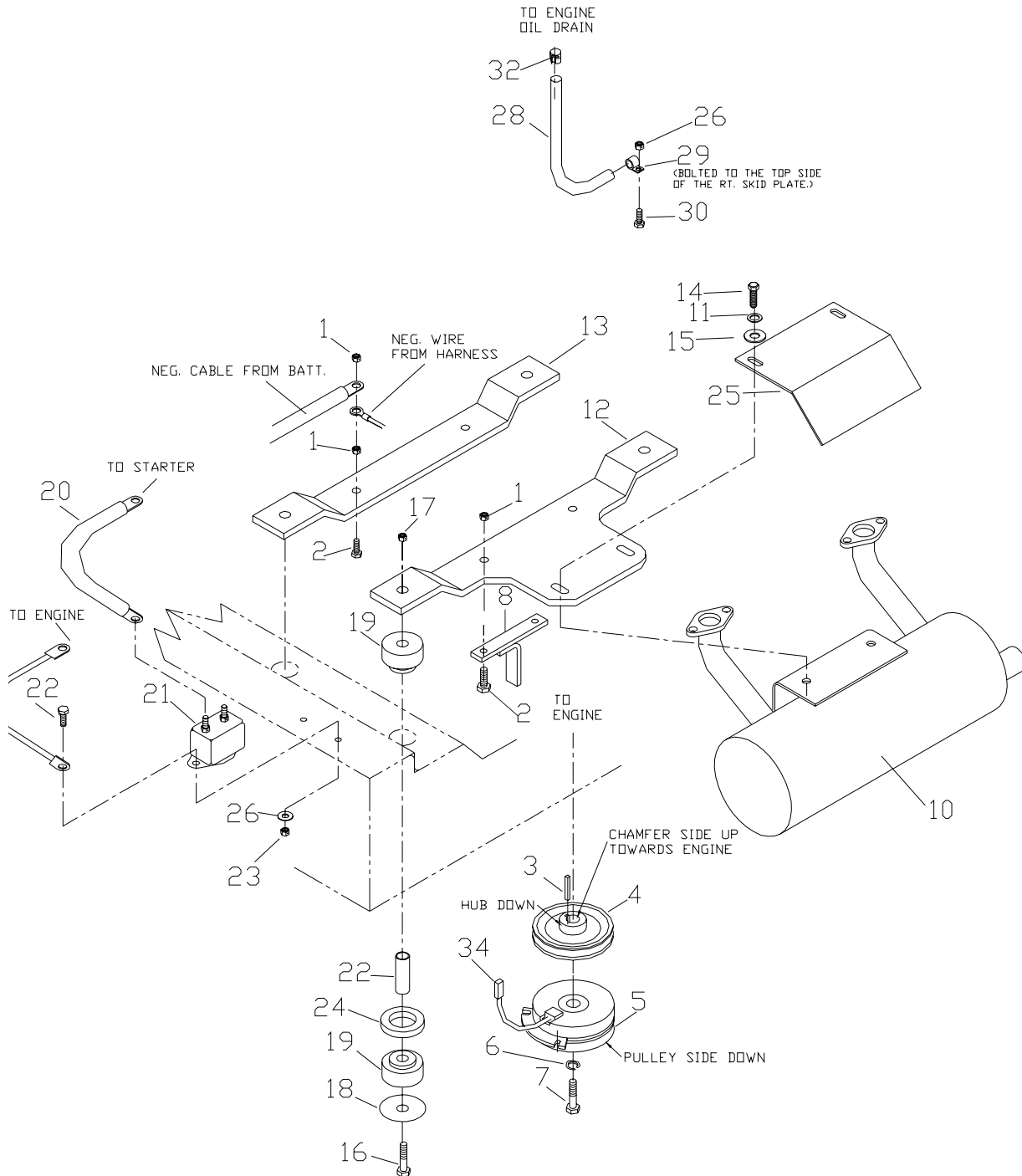
## EFI Engine Assembly

ITEM	PART NO.	QTY	DESCRIPTION
1	539990184	6	NUT 5/16 LOCK
2	539990669	4	HCS 5/16 X 1.75
4	539100152	1	KEY 1/4 SQ.
5	539106057	1	PULLEY
7	539105406	1	CLUTCH
8	539990247	1	7/16 LOCK WASHER
9	539991120	1	HCS 7/16F X 2.5
10	539106819	1	CLUTCH TIE DOWN
12	539105333	1	EFI HARNESS
13	539105335	1	EFI MUFFLER
14	539990187	2	5/16 LOCK WASHER
15	539105410	1	REAR ENGINE MT.
16	539105025	1	ENGINE MOUNT
17	539990209	2	HCS 5/16 X 1.0
18	539990692	2	5/16 FLAT WASHER
19	539103433	4	HCS 1/2 X 3.25
20	539101331	4	NUT 1/2 NYLOC
21	539104959	4	ISOLATOR WASHER
22	539104958	4	ISOLATORS
24	539105034	4	ISOLATOR SPACER
25	539105072	1	90 DEG. ELBOW
26	539105073	1	PIPE 3/8 X 1.5 NPT
27	539101362	1	OIL DRAIN HOSE
28	539101364	1	DRAIN CAP
29	539101363	1	CLAMP
30	539990580	1	HCS 1/4 X 3/4
31	539990761	1	NUT 1/4 LOCK
32	539991034	3	SCREW SELF TAP
33	539976977	2	NUT #10 NYLOC
34	539105407	2	SCREW #10 X 2.0
35	539105408	2	#10 WASHER
36	539107651	1	INDICATOR LAMP BULB
37	539105637	1	CLUTCH PIGTAIL

**NOTE:**

Torque item 9 to 50 ft/lbs

# Kawasaki Engine Assembly

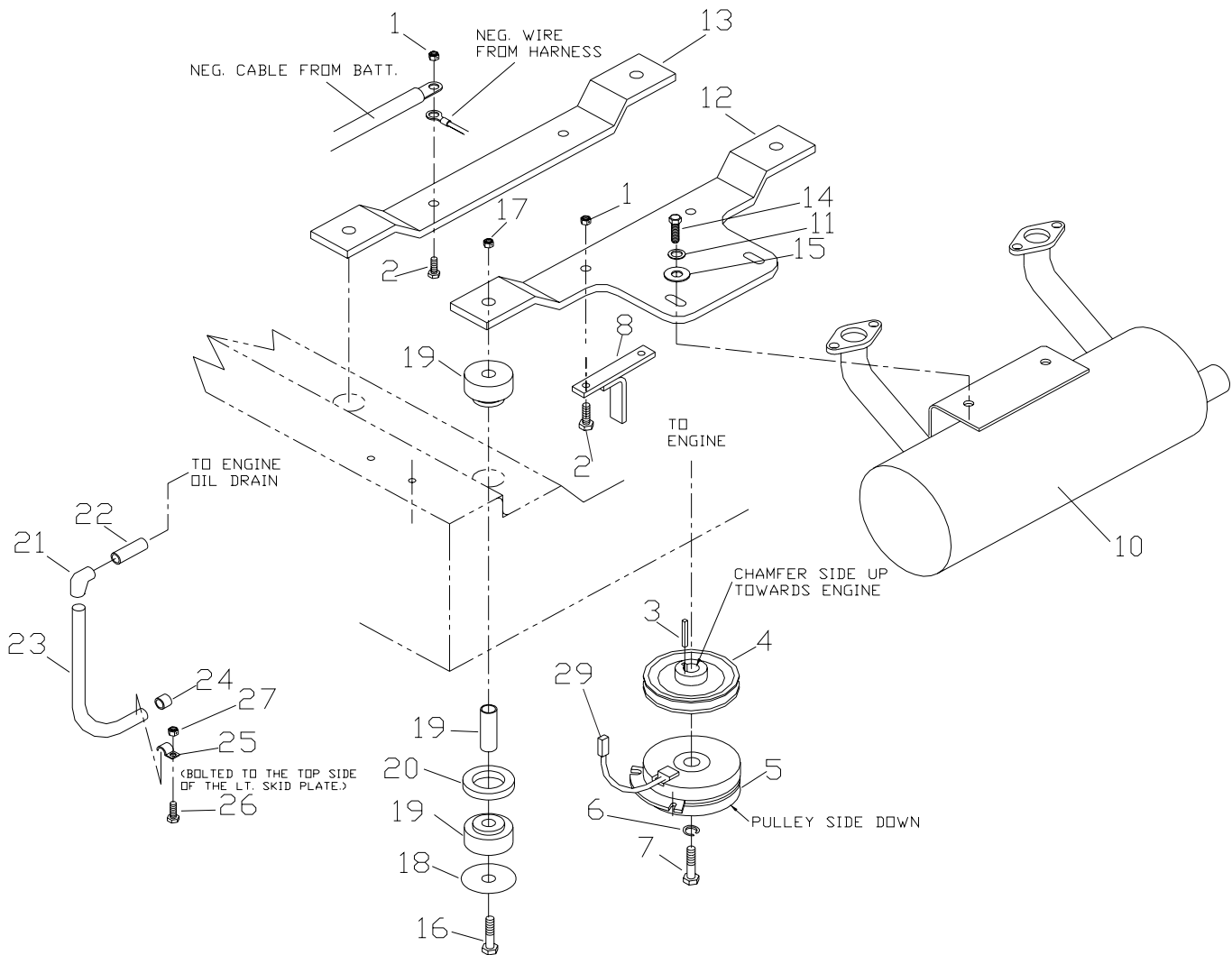




## Kawasaki Engine Assembly

ITEM	PART NO.	QTY	DESCRIPTION
1	539990184	5	NUT 5/16 LOCK
2	539990669	4	HCS 5/16 X 1.75
3	539100152	1	KEY 1/4 SQ.
4	539106057	1	PULLEY
5	539105406	1	CLUTCH
6	539990247	1	WASHER 7/16 LOCK
7	539991120	1	HCS 7/16F X 2.5
8	539106819	1	CLUTCH TIE DOWN
9	539104415	1	KAWASAKI PIGTAIL
10	539105897	1	MUFFLER
11	539990187	2	WASHER 5/16 LOCK
12	539105410	1	ENGINE MOUNT
13	539105025	1	ENGINE MOUNT
14	539976934	2	HCS 5/16 X .750
15	539990692	2	WASHER 5/16 FLAT
16	539103433	4	HCS 1/2 X 3.25
17	539101331	4	NUT 1/2 NYLOC
18	539104959	4	WASHER
19	539104958	4	ISOLATOR
20	539102757	1	CABLE, POSITIVE
21	539101714	1	SOLINOID
22	539990072	2	HCS 1/4 X .625
23	539990761	3	NUT 1/4 CTR. LOCK
24	539105034	4	SPACER
25	539105968	1	MUFFLER GUARD
26	539990053	1	WASHER 1/4 INT. TOOTH
27	539105409	1	GROUND WIRE
28	539105395	1	OIL DRAIN HOSE
29	539102685	1	LOOM CLIP
30	539990580	1	HCS 1/4 X .750
31	539102733	1	CHOKE CONTROL(NOT SHOWN)
32	539102877	1	CLAMP
33	539102759	2	INSULATOR
34	539105637	1	CLUTCH PIGTAIL

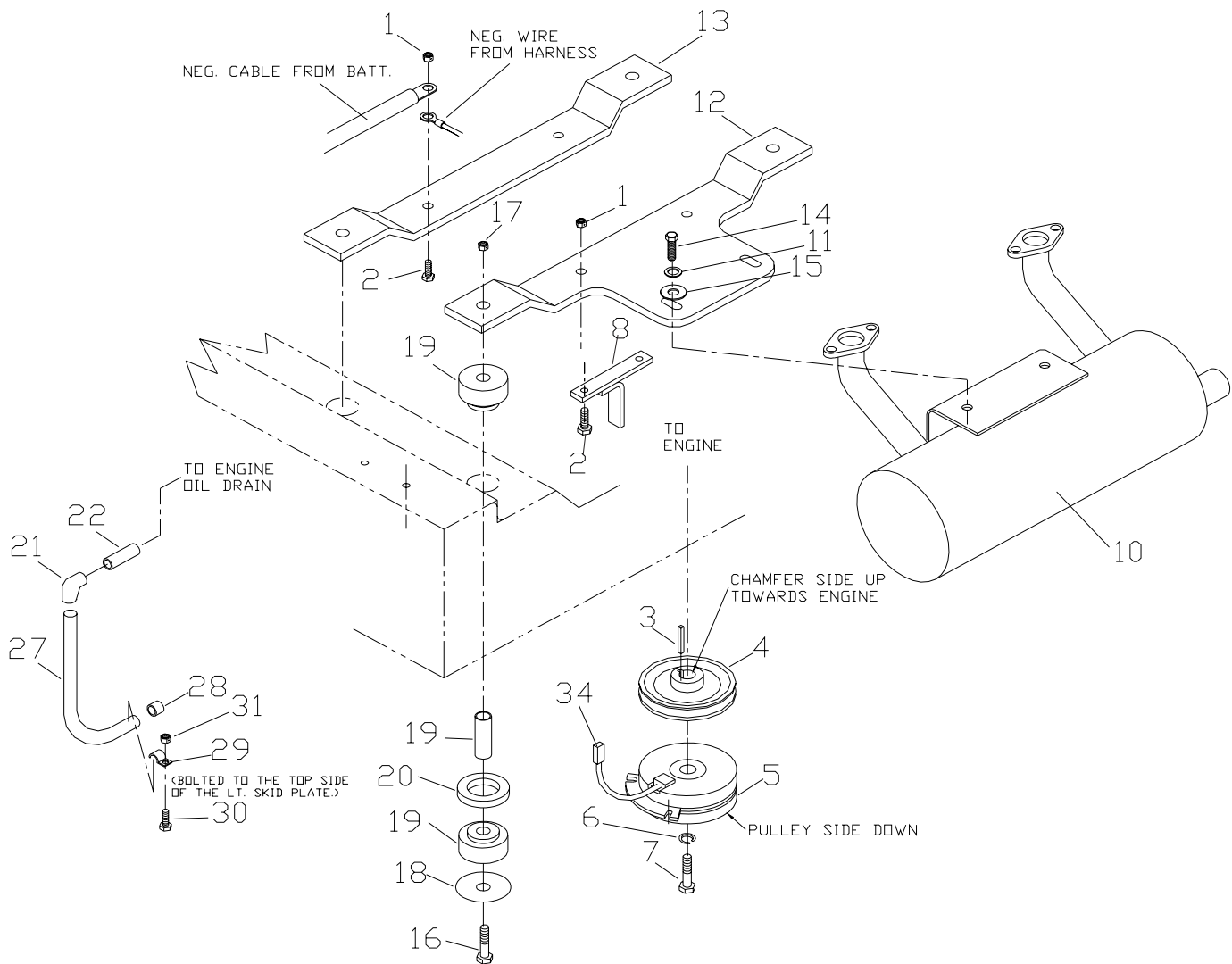
# Kohler Engine Assembly



## Kohler Engine Assembly

ITEM	PART NO.	QTY	DESCRIPTION
1	539990184	4	NUT 5/16 LOCK
2	539990669	4	HCS 5/16 X 1.75
3	539100152	1	KEY 1/4 SQ.
4	539106057	1	PULLEY
5	539105406	1	CLUTCH
6	539990247	1	WASHER 7/16 LOCK
7	539991120	1	HCS 7/16F X 2.5
8	539106819	1	CLUTCH TIE DOWN
9	539104416	1	KOHLER PIGTAIL
10	539105896	1	MUFFLER
11	539990187	2	WASHER 5/16 LOCK
12	539105410	1	ENGINE MOUNT
13	539105025	1	ENGINE MOUNT
14	539976934	2	HCS 5/16 X .750
15	539990692	2	WASHER 5/16 FLAT
16	539103433	4	HCS 1/2 X 3.25
17	539101331	4	NUT 1/2 NYLOC
18	539104959	4	WASHER
19	539104958	4	ISOLATOR
20	539105034	4	SPACER
21	539105072	1	ELBOW
22	539105073	1	3/8 NPT PIPE
23	539101362	1	OIL DRAIN HOSE
24	539101364	1	DRAIN CAP
25	539101363	1	CLAMP
26	539990580	1	HCS 1/4 X .750
27	539990761	3	NUT 1/4 CTR. LOCK
28	539102733	1	CHOKE CONTROL(NOT SHOWN)
29	539105637	1	CLUTCH PIGTAIL

# Liquid Cooled Kohler Engine Assembly



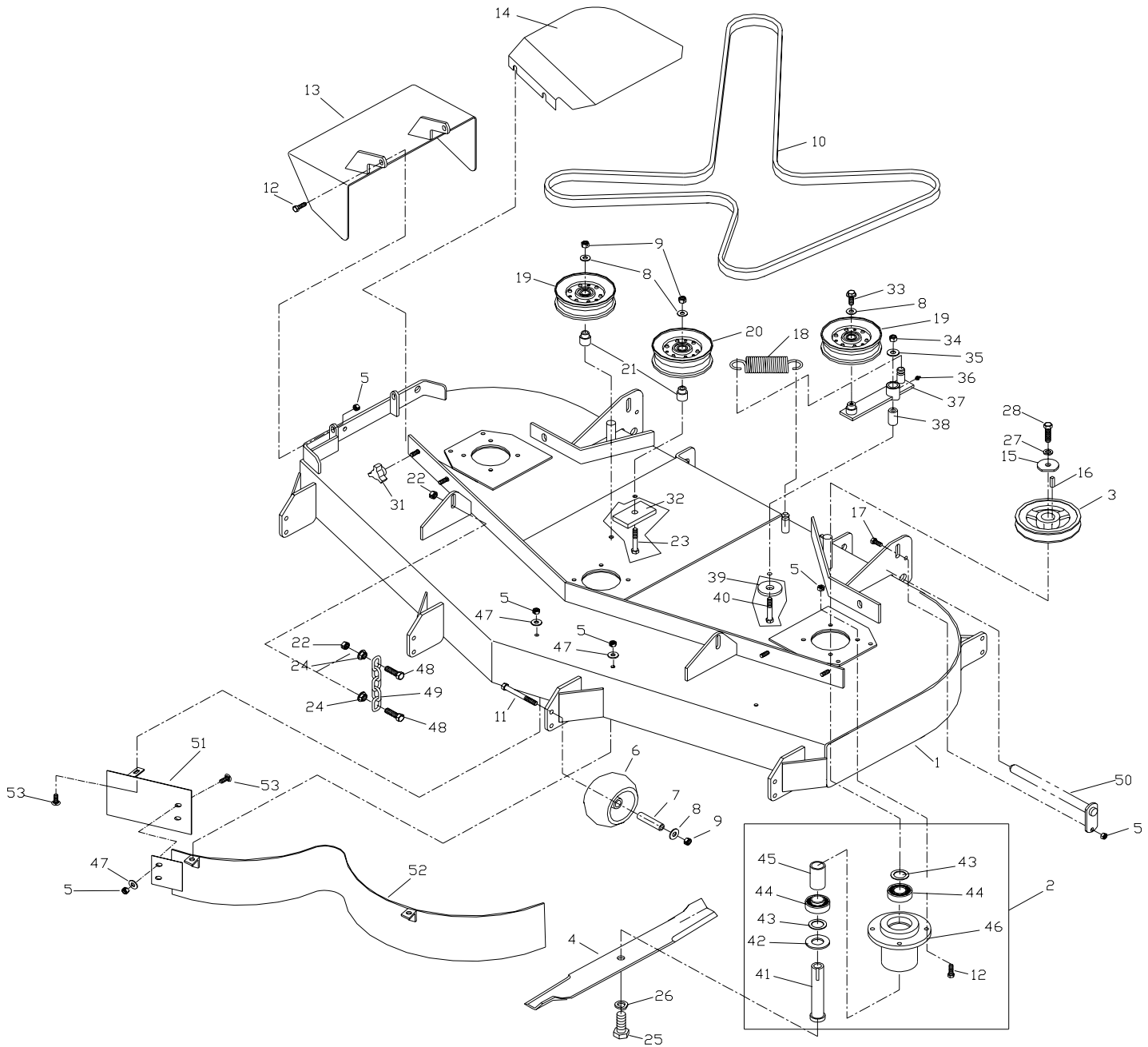
## Liquid Cooled Kohler Engine Assembly

ITEM	PART NO.	QTY	DESCRIPTION
1	539990184	4	NUT 5/16 LOCK
2	539990669	4	HCS 5/16 X 1.75
3	539100152	1	KEY 1/4 SQ.
4	539106057	1	PULLEY
5	539105406	1	CLUTCH
6	539990247	1	WASHER 7/16 LOCK
7	539991120	1	HCS 7/16F X 2.5
8	5391068	1	CLUTCH TIE DOWN
9	539105300	1	KOHLER PIGTAIL L/C(NOT SHOWN)
10	539105896	1	MUFFLER
11	539990187	2	WASHER 5/16 LOCK
12	539105410	1	ENGINE MOUNT
13	539105025	1	ENGINE MOUNT
14	539976934	2	HCS 5/16 X .750
15	539990692	4	WASHER 5/16 FLAT
16	539103433	4	HCS 1/2 X 3.25
17	539101331	4	NUT 1/2 NYLOC
18	539104959	4	WASHER
19	539104958	4	ISOLATOR
20	539105034	4	SPACER
21	539105072	1	ELBOW
22	539105073	1	3/8 NPT PIPE
23	539105246	1	WATER TEMP. GAUGE
24	539105248	1	GAUGE BRACKET
25	539105247	1	GUAGE HARNESS
26	539976937	1	HCS 5/16 X 2.0
27	539101362	1	OIL DRAIN HOSE
28	539101364	1	DRAIN CAP
29	539101363	1	CLAMP
30	539990580	1	HCS 1/4 X .750
31	539990761	3	NUT 1/4 CTR. LOCK
32	539102733	1	CHOKE CONTROL(NOT SHOWN)
33	539102685	1	LOOM CLIP
34	539105637	1	CLUTCH PIGTAIL

**NOTE:**

ITEMS 23, 24, 25, 26, 33 ARE NOT SHOWN. LOCATION OF THESE ITEMS ON THE UNIT ARE AT THE RIGHT SIDE OF THE OPERATORS SEAT MOUNTED TO THE FRAME

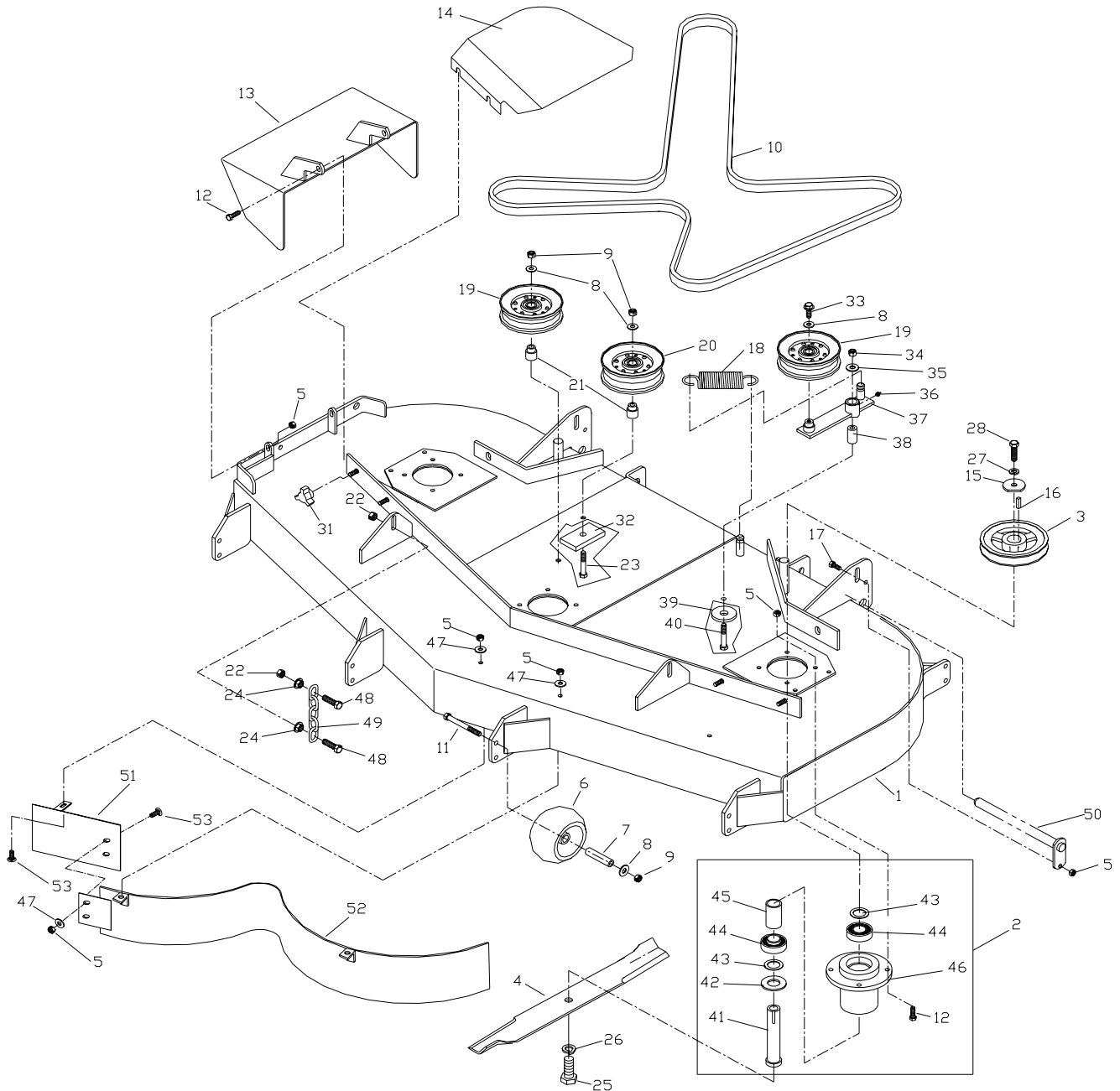
# 52" Front Deck Assembly



## 52" Front Deck Assembly

ITEM	PART NO.	QTY	DESCRIPTION
1	539105150	1	DECK W/DECALS
2	539104403	3	CUTTER HOUSING ASM.
3	539104421	3	PULLEY
4	539100341	3	BLADE
5	539990184	21	NUT 5/16 LOCK
6	539102643	6	ROLLER
7	539102698	6	BUSHING
8	539990517	9	3/8 FLAT WASHER
9	539990546	8	NUT 3/8 LOCK
10	539104335	1	BELT
11	539102754	6	HCS 3/8 X 3.5
12	539990209	14	HCS 5/16 X 1.00
13	539107312	1	DISCHARGE CHUTE
14	539105104	1	BELT SHIELD RT.
	539105105	1	BELT SHIELD LT.
15	539106504	3	WASHER
16	539101995	3	KEY 1/4 SQ.
17	539976934	2	HCS 5/16 X .750
18	539105192	1	SPRING
19	539103257	2	PULLEY 1.31
20	539103258	1	PULLEY 1.62
21	539103295	2	IDLER BUSHING
22	539990839	8	NUT 7/16 LOCK
23	539990637	2	HCS 3/8 X 2.5
24	539102582	8	NUT 7/16 WHIZ
25	539103299	3	HCS 5/8F X 1.25
26	539990333	3	WASHER 5/8 LOCK
27	539990247	3	7/16 LOCK WASHER
28	539100141	3	HCS 7/16F X 1.5
31	539102070	6	KNOB
32	539103303	2	PAD
33	539990582	1	HCS 3/8 X 1.0 SERR.
34	539101331	1	NUT 1/2 NYLOC
35	539990550	1	WASHER 1/2 FLAT
36	539976998	1	ZERK
37	539103230	1	IDLER ARM
38	539103427	1	PIVOT BUSHING
39	539102243	1	SUPPORT WASHER
40	539103433	1	HCS 1/2 X 3.25
41	539104402	1	SPINDLE
42	539102675	1	MACHINE BUSHING
43	539102244	2	MACHINE BUSHING
44	539102677	2	BEARING
45	539102676	1	SPACER
46	539104852	1	HOUSING
47	539990692	5	5/16 FLAT WASHER
48	539101175	8	HCS 7/16 X 1.5
49	539102641	4	LIFT CHAIN
50	539102619	2	PIVOT PIN
51	539105453	1	BAFFLE , CENTER
52	539105457	1	BAFFLE, MAIN
53	539990799	5	RHSNB 5/16 X 5/8

# 61" Front Deck Assembly

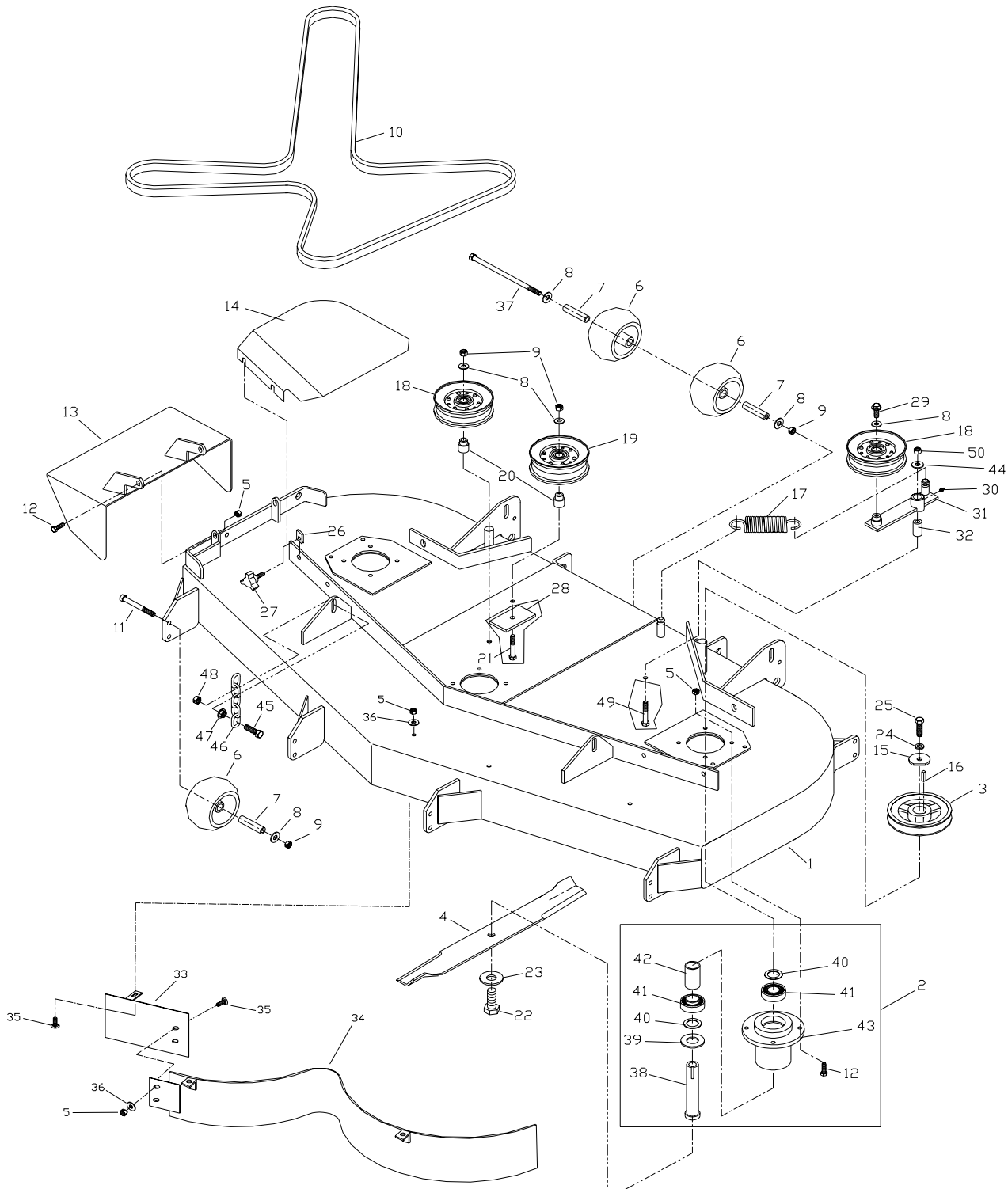




## 61" Front Deck Assembly

ITEM	PART NO.	QTY	DESCRIPTION
1	539105149	1	DECK W/DECALS
2	539104403	3	CUTTER HOUSING ASM.
3	539104420	3	PULLEY
4	539101733	3	BLADE
5	539990184	21	NUT 5/16 LOCK
6	539102643	6	ROLLER
7	539102698	6	BUSHING
8	539990517	9	3/8 FLAT WASHER
9	539990546	8	NUT 3/8 LOCK
10	539104336	1	BELT
11	539102754	6	HCS 3/8 X 3.5
12	539990209	14	HCS 5/16 X 1.00
13	539104422	1	DISCHARGE CHUTE
14	539105102	1	BELT SHIELD RT.
	539105103	1	BELT SHIELD LT.
15	539106504	3	WASHER
16	539101995	3	KEY 1/4 SQ.
17	539976934	2	HCS 5/16 X .750
18	539105192	1	SPRING
19	539103257	2	PULLEY 1.31
20	539103258	1	PULLEY 1.62
21	539103295	2	IDLER BUSHING
22	539990839	8	NUT 7/16 LOCK
23	539990637	2	HCS 3/8 X 2.5
24	539102582	8	NUT 7/16 WHIZ
25	539103299	3	HCS 5/8F X 1.25
26	539990333	3	WASHER 5/8 LOCK
27	539990247	3	7/16 LOCK WASHER
28	539100141	3	HCS 7/16F X 1.5
31	539102070	6	KNOB
32	539103303	2	PAD
33	539990582	1	HCS 3/8 X 1.0 SERR.
34	539101331	1	NUT 1/2 NYLOC
35	539990550	1	WASHER 1/2 FLAT
36	539976998	1	ZERK
37	539103230	1	IDLER ARM
38	539103427	1	PIVOT BUSHING
39	539102243	1	SUPPORT WASHER
40	539103433	1	HCS 1/2 X 3.25
41	539104402	1	SPINDLE
42	539102675	1	MACHINE BUSHING
43	539102244	2	MACHINE BUSHING
44	539102677	2	BEARING
45	539102676	1	SPACER
46	539104852	1	HOUSING
47	539990692	5	5/16 FLAT WASHER
48	539101175	8	HCS 7/16 X 1.5
49	539102641	4	LIFT CHAIN
50	539102619	2	PIVOT PIN
51	539105461	1	BAFFLE , CENTER
52	539105465	1	BAFFLE, MAIN
53	539990799	5	RHSNB 5/16 X 5/8

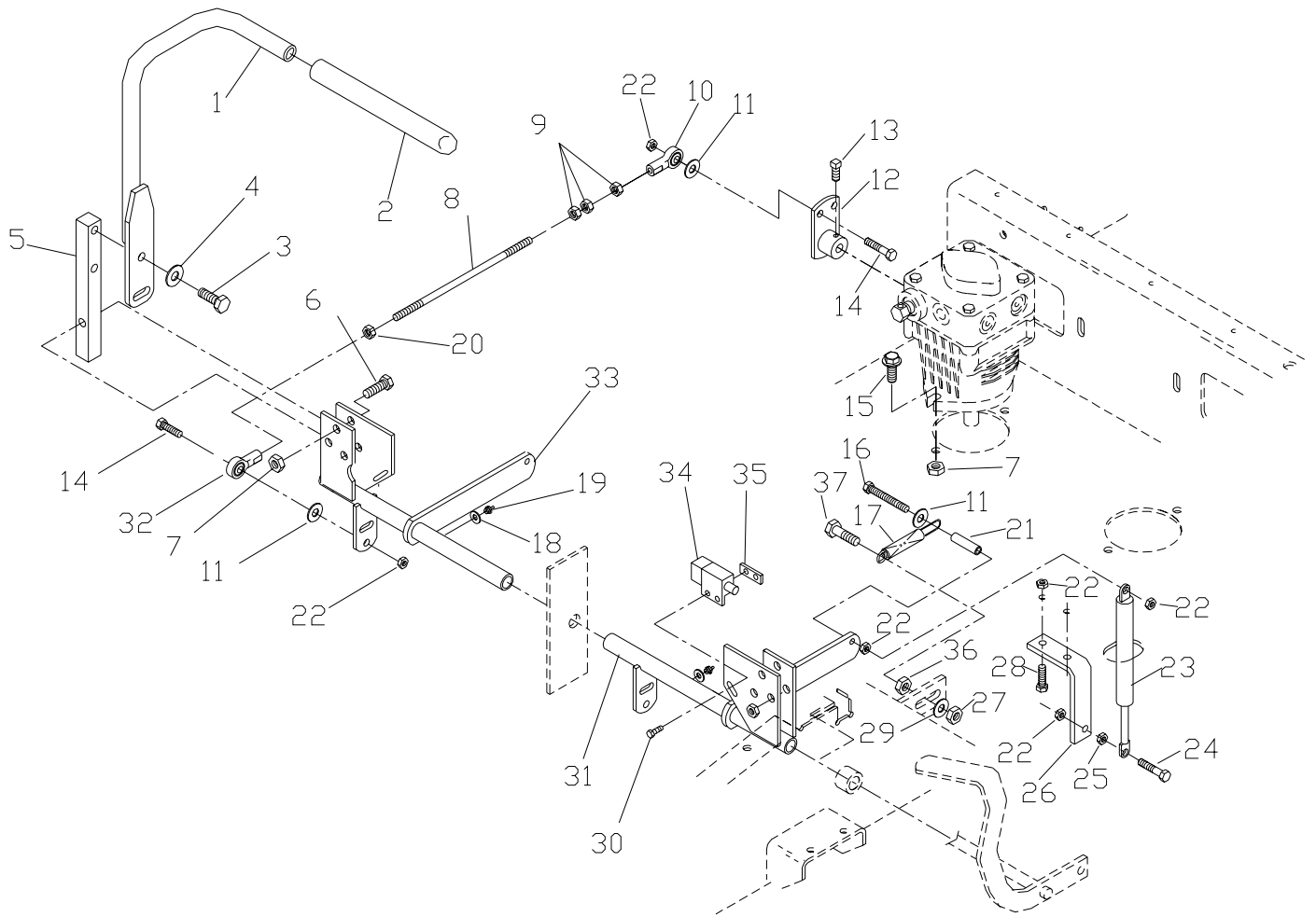
# 72" Front Deck Assembly



## 72" Front Deck Assembly

ITEM	PART NO.	QTY	DESCRIPTION
1	539105488	1	DECK W/DECALS
2	539105632	3	CUTTER HOUSING ASM.
3	539105485	3	PULLEY
4	539105476	3	BLADE
5	539990184	19	NUT 5/16 LOCK
6	539102643	8	ROLLER
7	539102698	8	BUSHING
8	539990517	11	3/8 FLAT WASHER
9	539990546	9	NUT 3/8 LOCK
10	539105477	1	BELT
11	539102754	6	HCS 3/8 X 3.5
12	539990627	12	HCS 5/16 X 1.25
13	539105981	1	DISCHARGE CHUTE
14	539105564	1	BELT SHIELD RT.
	539105566	1	BELT SHIELD LT.
15	539106504	3	WASHER
16	539101995	3	KEY 1/4 SQ.
17	539105192	1	SPRING
18	539103257	2	PULLEY 1.31
19	539103258	1	PULLEY 1.62
20	539103295	2	IDLER BUSHING
21	539101341	2	HCS 3/8 X 3.0
22	539105633	3	HCS 5/8F X 2.0 GD. 8
23	539105634	3	5/8 SPRING WASHER
24	539990247	3	7/16 LOCK WASHER
25	539100141	3	HCS 7/16F X 1.5
26	539104763	8	"U" CLIP
27	539104411	8	KNOB
28	539103303	2	PAD
29	539990582	1	HCS 3/8 X 1.0 SERR.
30	539976998	1	ZERK
31	539103230	1	IDLER ARM
32	539103427	1	PIVOT BUSHING
33	539105615	1	BAFFLE, CENTER
34	539105614	1	BAFFLE, MAIN
35	539990799	5	RHSNB 5/16 X 5/8
36	539990692	5	5/16 FLAT WASHER
37	539105422	1	HCS 3/8 X 6.0 GD. 8
38	539105501	1	SPINDLE
39	539102675	1	MACHINE BUSHING
40	539102244	2	MACHINE BUSHING
41	539102677	2	BEARING
42	539102676	1	SPACER
43	539104852	1	HOUSING
44	539990550	1	WASHER 1/2 FLAT
45	539101175	8	HCS 7/16 X 1.5
46	539102641	4	CHAIN
47	539102582	8	NUT 7/16 WHIZ
48	539990839	8	NUT 7/16 LOCK
49	539103433	1	HCS 1/2 X 3.25
50	539101331	1	NUT 1/2 NYLOC

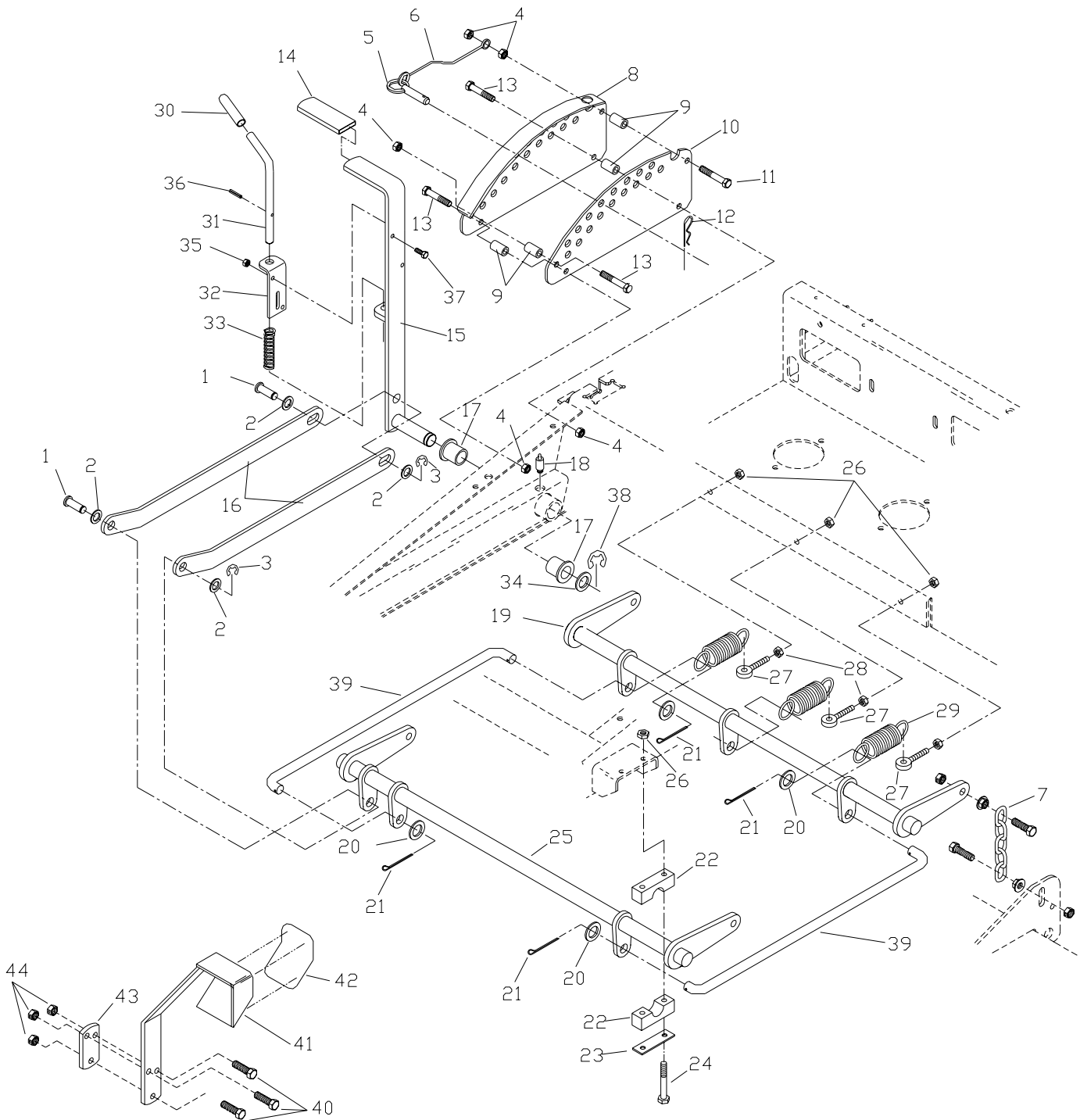
## Motion Control Assembly



## Motion Control Assembly

ITEM	PART NO.	QTY	DESCRIPTION
1	539104190	2	CONT. LEVER
2	539102592	2	GRIP
3	539990563	4	HCS 3/8C X 1
4	539102593	4	3/8 SPRING WASHER
5	539102809	2	ARM CONT. SHAFT
6	539990655	6	HCS 3/8C X 1 1/2
7	539990546	10	NUT 3/8C CTR. LOCK
8	539105279	2	PUMP CONTROL LINK
9	539990223	6	NUT 5/16F
10	539102590	2	BALL JOINT RT.
11	539990692	6	5/16 FLAT WASHER
12	539104382	2	PUMP LEVER
13	539105079	2	5/16C X 5/8 "V" POINT
14	539990209	4	HCS 5/16C X 1
15	539990582	4	HCS 3/8C X 1
16	539991055	2	TAPBOLT 5/16C X 2.25
17	539103297	2	REV. DETENT SPRING
18	539103547	2	WASHER
19	539976998	2	ZERK
20	539991073	2	NUT 5/16F LH.
21	539104995	2	SPACER
22	539990184	14	5/16C CTR. LOCK
23	539102720	2	DAMPENER
24	539990627	4	HCS 5/16C X 1.25
25	539990585	2	5/16C WHIZ NUT
26	539105023	2	BRACKET "L"
27	539976979	2	3/8C NYLOC
28	539976934	4	HCS 5/16C X 3/4
29	539990517	2	3/8 FLAT WASHER
30	539976952	4	SCREW #10-24 X 5/8
31	539104363	1	CONTROL WLDMT. LEFT
32	539102591	1	BALL JOINT LH.
33	539104364	1	CONTROL WLDMT. RIGHT
34	539101080	2	SWITCH
35	539102678	2	TAPPED PLATE
36	539990613	2	3/8C WHIZ NUT
37	539990588	2	HCS 3/8C X 2
38	539102685	1	HOSE CLAMP

# Deck Lift Assembly

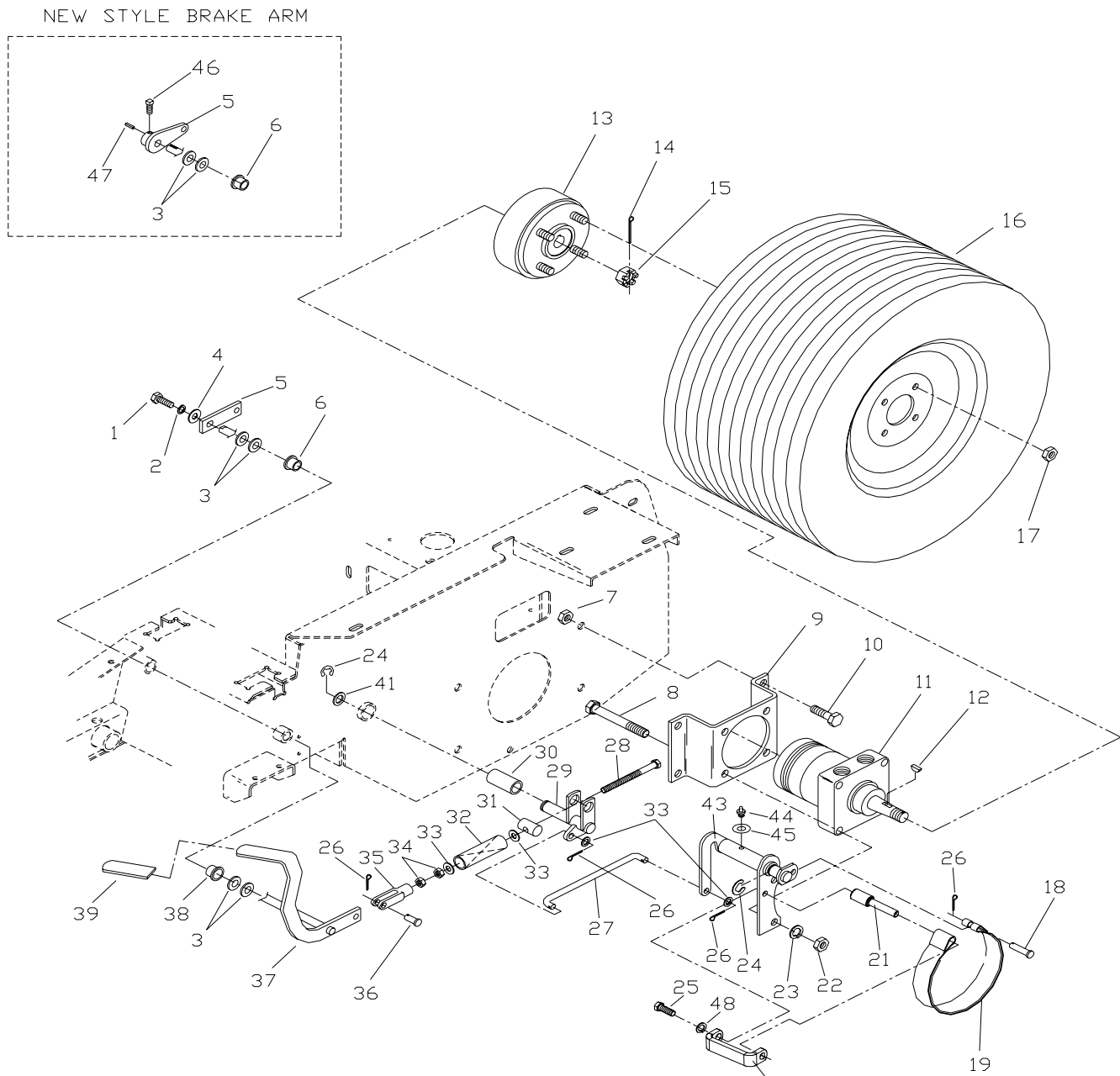


**NOTE: ENTIRE FOOT ASSIST ASSEMBLY P/N 539105180 ITEMS 40 THRU 44**

## Deck Lift Assembly

ITEM	PART NO.	QTY	DESCRIPTION
1	539105060	2	CLEVIS PIN
2	539991043	4	MACH. BUSHING
3	539105069	2	5/8 E - RING
4	539990546	5	NUT 3/8C CTR. LOCK
5	539102526	1	HITCH PIN
6	539105059	1	LANYARD
7	539102641	4	LIFT CHAIN
8	539104321	1	ADJ. PLATE WLDMT.
9	539104530	4	DECK LIFT SPACER
10	539104323	1	ADJ. PLATE PAINTED
11	539990637	1	HCS 3/8C X 2.5
12	539976989	1	# 4 HAIR PIN
13	539990629	3	HCS 3/8C X 2.25
14	539102515	1	GRIP
15	539104320	1	LEVER WLDMT.
16	539105050	2	LIFT LINKAGE
17	539101232	2	FLANGE BUSHING
18	539104761	1	ZERK - LONG
19	539104389	1	LIFT SHAFT
20	539976982	4	5/8 SAE WASHER
21	539990654	4	COTTER PIN
22	539104808	8	PILLOW BLOCK
23	539104807	4	SUPPORT PLATE
24	539991046	8	HCS 5/16C X 2.5
25	539104424	1	LIFT SHAFT, FRONT
26	539990184	11	NUT 5/16C CTR. LOCK
27	539101982	3	EYE BOLT
28	539990585	3	5/16C WHIZ NUT
29	539104760	3	DECK LIFT SPRING
30	539101050	1	GRIP
31	539104523	1	PIN
32	539103534	1	PIN MT.,UPPER
33	539101058	1	SPRING
34	539923787	1	MACH. BUSHING
35	539990761	2	NUT 1/4C CTR. LOCK
36	539101082	1	3/16 X 1 ROLL PIN
37	539990580	2	HCS 1/4C X 3/4
38	539101802	1	7/8 E - RING
39	539104310	2	CONN. LINK
40	539990655	3	HCS 3/8 X 1.5
41	539105181	1	LIFT PEDAL
42	539105187	1	ANTI-SKID PAD
43	539105184	1	TIGHTING PLATE
44	539976979	3	NUT 3/8 NYLOC

## Park Brake Assembly



**NOTE:**

ITEM 16 PART NO. 539105978 REAR TIRE ASSEMBLY USED ON 52" MODELS. PART NO. 539105983 RIM ONLY. ALL OTHER COMPONENTS ARE THE SAME IN THE REAR TIRE ASSEMBLY SEE ITEM 16 ON NEXT PAGE FOR TIRE AND VALVE PART NO'S.



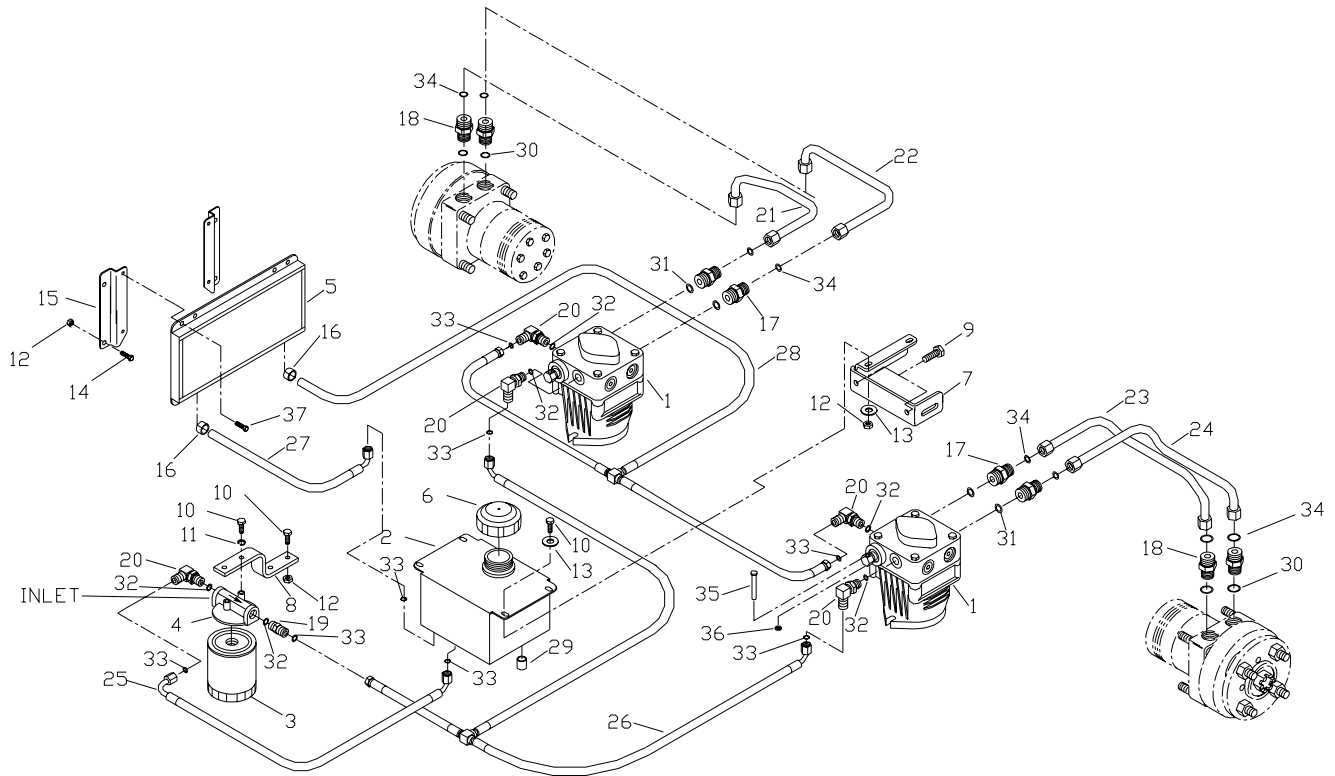
## Park Brake Assembly

ITEM	PART NO.	QTY.	DESCRIPTION	ITEM	PART NO.	QTY.	DESCRIPTION
1	539990580	1	HCS 1/4C X 3/4	25	539106791	2	HCS 3/8 X 1.0 GD 8 -
2	539990052	1	1/4 LOCK WASHER				AFTER 03/2002
3	539102843	4	WASHER 7/16 SPRING		539990546	2	NUT 3/8C CTR. LOCK
4	539990598	1	1/4 FLAT WASHER	26	539990365	8	COTTER PIN
5	539103576	1	ARM, PARK BRAKE	27	539105303	1	BRAKE LINKAGE LT.
	539106523	1	ARM, PARK BRAKE		539105302	1	BRAKE LINKAGE RT.
			(NEW STYLE)	28	539104984	2	HCS 3/8F SPECIAL
6	539102519	2	BUSHING	29	539105040	2	BELLCRANK
7	539101331	8	NUT 1/2C NYLOC	30	539105044	2	BRONZE BEARING
8	539101332	8	HCS 1/2C X 2.75	31	539102821	2	TRUNION PIN
9	539104327	2	MOTOR STANDOFF	32	539104986	2	SPRING
10	539990622	8	HCS 1/2C X 1.25	33	539990122	6	3/8 SAE WASHER
11	539104417	2	WHEEL MOTOR	34	539990155	4	NUT 3/8F
	539106068	1	SEAL KIT	35	539977465	2	YOKE
12	539105278	2	WOODRUFF KEY	36	539977703	2	3/8 X 1.125
13	539102415	2	HUB W/ BRAKE DRUM	37	539104351	1	BRAKE LEVER WLDMT.
14	539990297	2	COTTER PIN		539106526	1	BRAKE ARM WLDMT
15	539105277	2	CASTLE NUT				(NEW STYLE)
16	539105486	2	REAR TIRE ASM OFFSET	38	539102519	2	BUSHING
			RIM (61" & 72" MODELS)	39	539105036	1	GRIP
	539105978	2	REAR TIRE ASM	41	539991050	2	MACH. BUSHING 3/4
	539105152	1	TIRE	43	539104346	1	LEFT BRAKE BKT.
	539105487	1	RIM (OFFSET)		539104347	1	RIGHT BRAKE BKT.
	539105983	1	RIM (MOD)	44	539976998	2	ZERK
	539912234	1	AIR VALVE	45	539103547	2	WASHER
17	539101173	8	LUG NUT 1/2F	46	539102717	1	SETSCRW. 5/16 X .625
18	539102455	2	3/8 X 1.50 CLEVIS PIN	47	539106528	1	KEY 1/4 X .875
19	539102822	2	BRAKE BAND	48	539990118	2	WASHER 3/8 LOCK
20	539106793	2	SUPPORT BKT. -				
			AFTER 03/2002				
	539105070	2	HCS 3/8C X 3 GD 8				
21	539106794	2	BAND PIVOT -				
			AFTER 03/2002				
	539105043	2	SPACER				
22	539990258	8	NUT 1/2C				
23	539990254	8	1/2 LOCK WASHER				
24	539102454	4	E - RING 3/4				

**NOTE:**

1. MACHINES MANUFACTURED AFTER 03 / 2002 HAVE THE PARTS SHOWN IN ITEMS 20, 21, 25, AND 48. ITEMS ARE MARKED AFTER 03/2002.
2. TORQUE ITEM 25 TO 46 FT. LBS.

# Hydraulic System Assembly

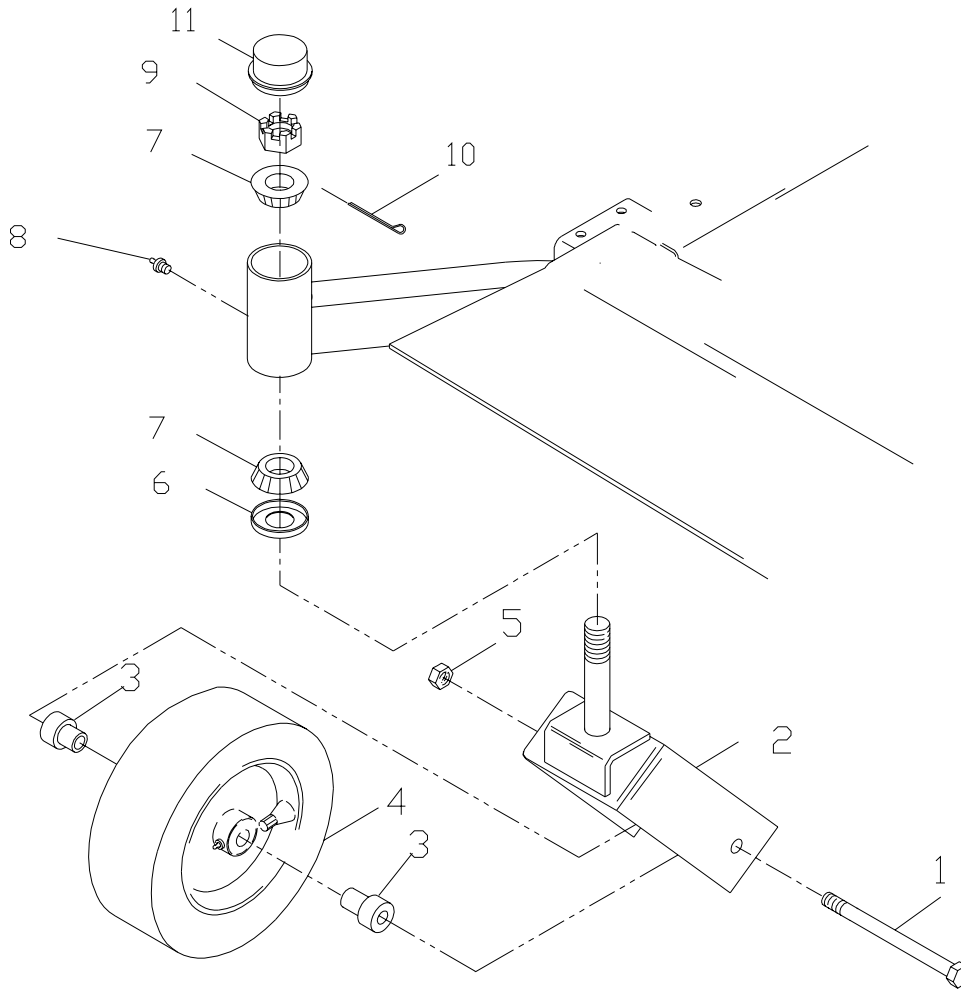


## Hydraulic System Assembly

ITEM	PART NO.	QTY.	DESCRIPTION
1	539107749	2	PUMP
2	539105024	1	OIL TANK
3	539102606	1	FILTER
4	539101165	1	FILTER HEAD
5	539105167	1	COOLER
6	539101202	1	HYD. CAP
7	539105027	1	TANK MOUNT LT.
	539105026	1	TANK MOUNT RT.
8	539105028	1	FILTER BRACKET
9	539976934	4	HCS 5/16 X 3/4
10	539990580	8	HCS 1/4C X 3/4
11	539990052	2	1/4 LOCK WASHER
12	539990372	10	1/4 LOCK NUT
13	539990598	8	1/4 FLAT WASHER
14	539101313	4	HCS 1/4C X 2.0
15	539105769	1	COOLER BRACKET
	539105767	1	COOLER BRACKET
16	539976966	2	HOSE CLAMP
17	539101237	4	F6400-8-8-0
18	539102396	4	STR. FITTING
19	539103316	1	F6400-6-6-0
20	539101238	5	F6801-6-6-0
21	539106067	1	HYD. LINE
22	539106067	1	HYD. LINE
23	539106067	1	HYD. LINE
24	539106067	1	HYD. LINE
25	539104722	1	7" TUBE
26	539104723	1	"T" ASM (SUCTION)
27	539104896	1	HOSE
28	539105154	1	"T" ASM (RETURN)
29	539105168	1	CAP
30	539103114	4	7/8 "O" RING
31	539103115	4	3/4 "O" RING
32	539103117	6	3/8 "O" RING
33	539103118	8	3/8 "O" RING FLARE
34	539103119	8	3/8 "O" RING FLARE
37	539105532	4	HCS 1/4 SELF TAP

## Wide Caster Assemblies

MODELS: 968999175, 968999181, 968999182, 968999183, 968999184, 968999185,  
968999186, 968999187, 968999188, 968999189, 968999202, 968999203,  
968999201, 968999224, 968999225

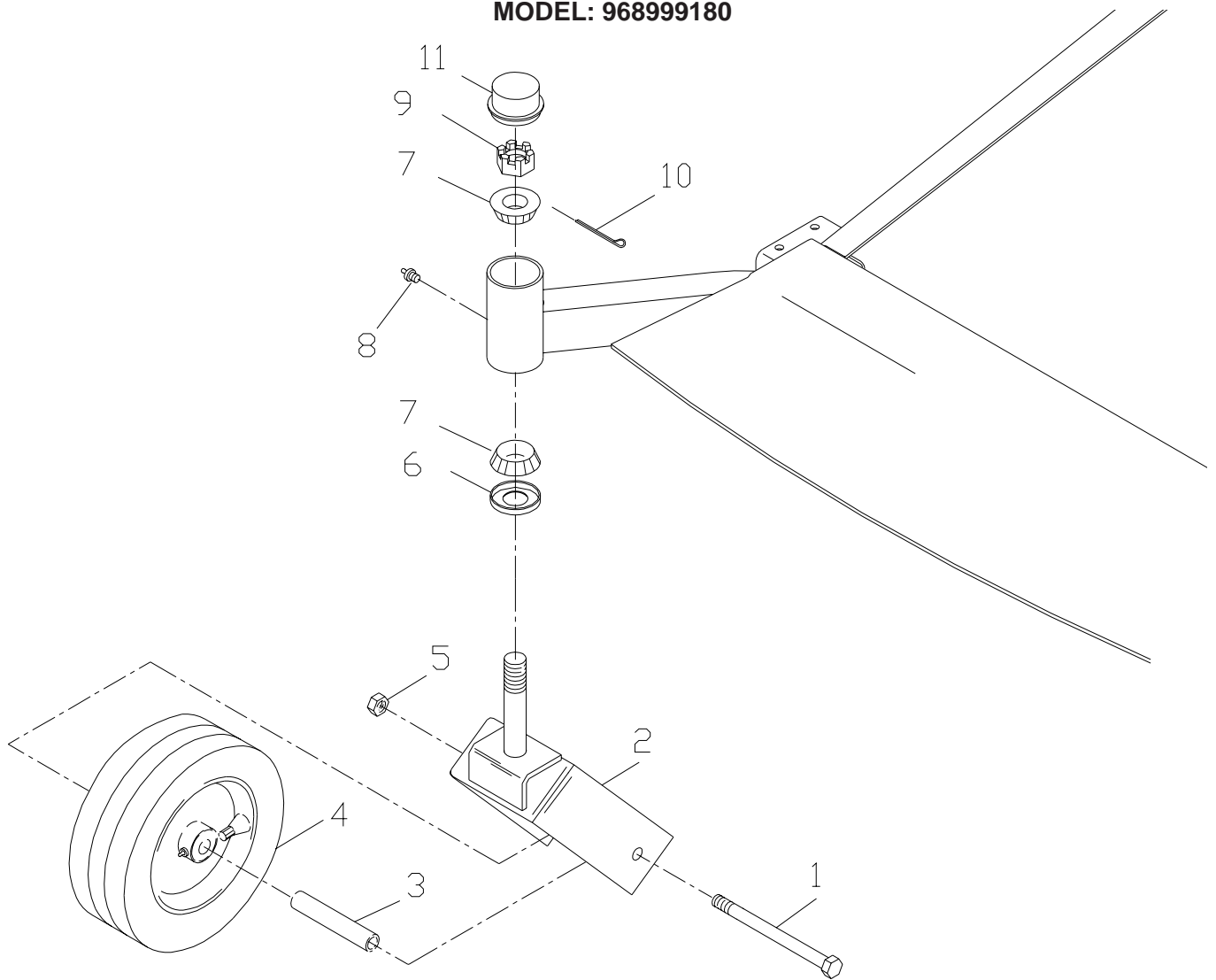


CASTER ASSEMBLY 539105895 includes items 1,2,3,4,5

ITEM	PART NO.	QTY.	DESCRIPTION
1	539105517	1	HCS 1/2 X 9.5
2	539105982	1	CASTER YOKE
3	539105518	2	AXLE SPACER
4	539105521	1	TIRE ASM.
	539105522	1	TIRE
	539105523	1	RIM
	539105524	2	SEAL
	539105525	2	TAPERED BEARING
	539912234	1	AIR VALVE
5	539101331	1	NUT 1/2 NYLOC
6	539102851	1	SEAL
7	539102626	2	BEARING W/CUP
8	539101474	1	ZERK
9	539102852	1	NUT 1.0 CASTLE
10	539102889	1	COTTER PIN 1/8 X 2
11	539102535	1	GREASE CAP

## Narrow Caster Assemblies

MODEL: 968999180



CASTER ASSEMBLY 539104743 includes items 1,2,3,4,5

ITEM	PART NO.	QTY.	DESCRIPTION
1	539102855	1	HCS 1/2 X 7.5
2	539104571	1	CASTER YOKE
3	539102856	1	AXLE SPACER
4	539104572	1	TIRE ASM.
	539102546	1	TIRE
	539104573	1	RIM
	539102485	2	ROLLER BEARING
	539102484	2	END CAPS
	539912234	1	AIR VALVE
5	539101331	1	NUT 1/2 NYLOC
6	539102851	1	SEAL
7	539102626	2	BEARING W/CUP
8	539101474	1	ZERK
9	539102852	1	NUT 1.0 CASTLE
10	539102889	1	COTTER PIN 1/8 X 2
11	539102535	1	GREASE CAP



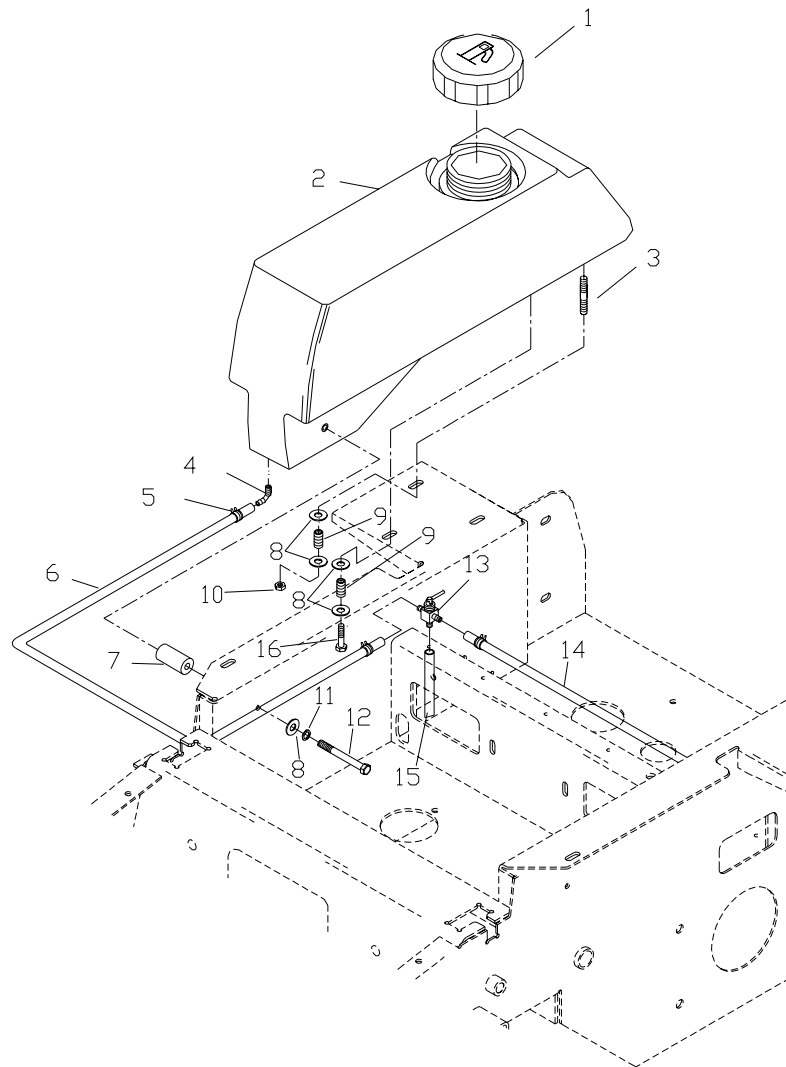
## EFI Fuel Assembly

ITEM	PART NO.	QTY.	DESCRIPTION
1	539105330	1	FUEL TANK RT.
2	539105329	1	FUEL TANK LT.
3	539991034	4	SCREW SELF TAP
4	539977351	2	FUEL LINE
5	539914359	2	FILTER
6	539105532	4	HCS 1/4 SELF TAP
7	539105531	1	FUEL LINE
8	539105526	2	FUEL LINE
9	539105245	2	RUBBER GROMMET
10	539105244	2	ELBOW
11	539105527	1	FUEL LINE
12	539105331	1	FUEL VALVE
13	539105398	1	EFI HOSE
14	539912222	14	HOSE CLAMP
15	539105411	1	VENT HOSE
16	539105399	2	EFI HOSE
17	539105400	1	EFI HOSE
18	539105529	8	CLAMP
19	539105530	1	FUEL LINE
20	539105334	1	DECAL
21	539106188	2	FUEL CAP
22	539102650	2	TANK FITTING, 90°

NOTE: Items 13, 16, and 17 are high pressure lines.

Refer to Kohler engine manual for information on the fuel regulator , fuel pump, and the high pressure fuel filter.

## Kawasaki and Kohler Fuel Assembly

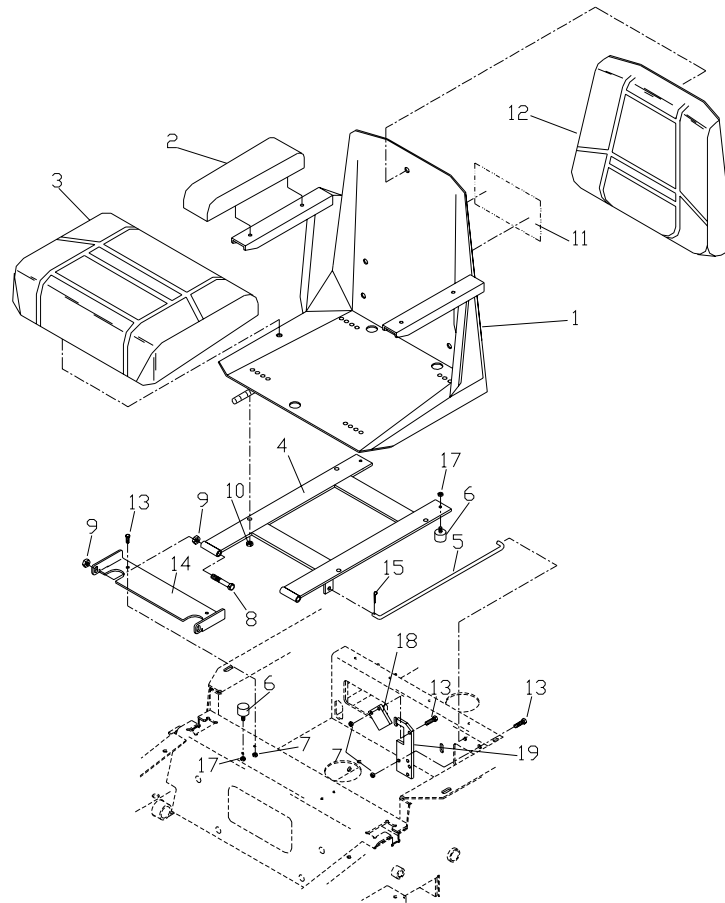


ITEM	PART NO.	QTY.	DESCRIPTION
1	539106188	2	FUEL CAP
2	539104410	1	FUEL TANK RT.
	539104409	1	FUEL TANK LT.
3	539102502	6	STUD
4	539102650	2	HOSE BARB
5	539912222	6	HOSE CLAMP
6	539922091	1	FUEL LINE
7	539104897	2	TANK SPACER
8	539990692	18	WASHER 5/16 FLAT
9	539102845	8	SPRING
10	539990717	8	NUT 5/16 NYLOC
11	539990187	2	WASHER 5/16 LOCK
12	539102335	2	HCS 5/16 X 4.0
13	539102679	1	FUEL VALVE
14	539105280	1	FUEL LINE
15	539105281	1	FUEL LINE KAWASAKI
	539104980	1	FUEL LINE KOHLER
16	539990209	2	HCS 5/16 X 1.0



## Standard Seat Assembly

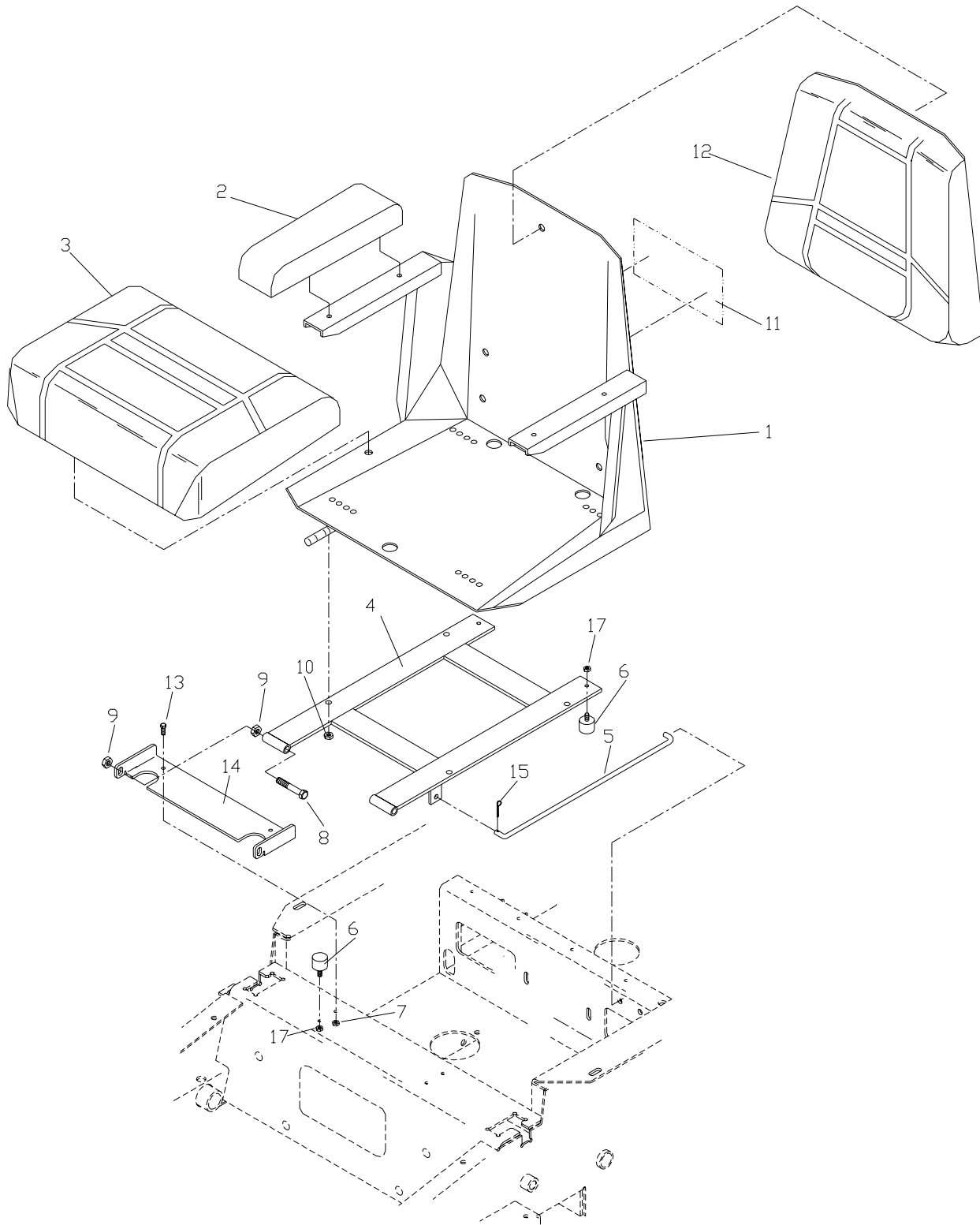
MODELS: 968999180, 968999181, 968999182, 968999183, 968999184, 968999185,  
968999186, 968999187, 968999189, 968999203, 968999224, 968999225



ITEM	PART NO.	QTY.	DESCRIPTION
1	539104584	1	SEAT COMPLETE
	539105294	1	SEAT RAILS (NOT SHOWN)
2	539102844	2	ARM REST CUSHIONS (1 PAIR)
3	539102539	1	SEAT CUSHION W/SWITCH
4	539105283	1	SEAT MOUNT
5	539104525	1	SEAT ROD
6	539105039	4	STUD
7	539990761	2	NUT 1/4 LOCK
8	539101341	2	HCS 3/8 X 3.0
9	539990546	4	NUT 3/8 LOCK
10	539990717	4	NUT 5/16 NYLOC
11	539104789	1	DECAL, CROWN
12	539104565	1	BACK CUSHION
13	539990580	5	HCS 1/4 X 3/4
14	539105224	1	SEAT BRACKET W/DECAL
15	539990365	1	COTTER PIN
16	539105544	1	SEAT RAILS (NOT SHOWN)
17	539976978	4	NUT 1/4 NYLOC
18	539102917	1	SEAT LATCH
19	539105962	1	SEAT LATCH MOUNT
20	539102685	1	LOOM CLIP (NOT SHOWN)
21	539105542	1	SEAT SWITCH (NOT SHOWN)

# Suspension Seat Assembly

MODELS: 968999175, 968999188, 968999201, 968999202

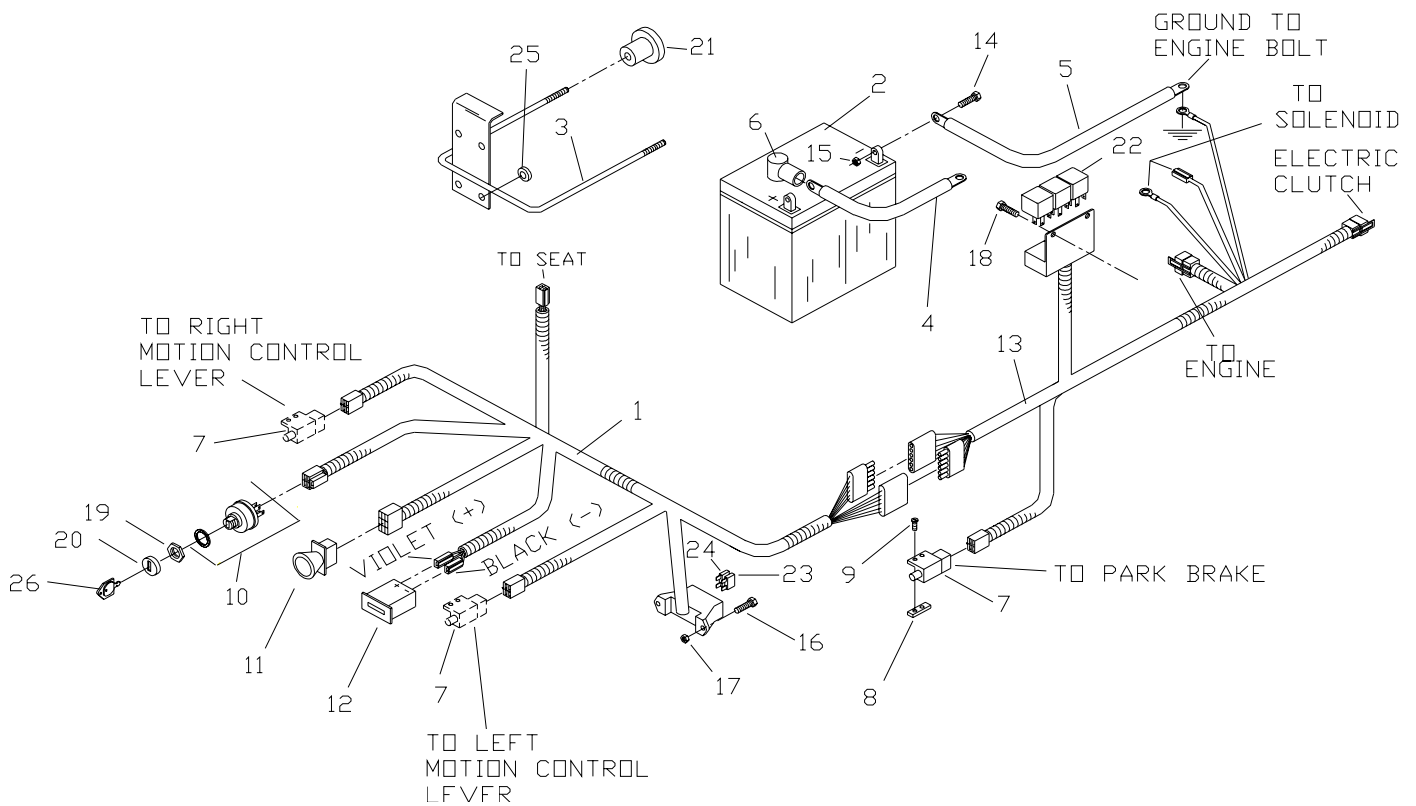


## Suspension Seat Assembly

MODELS: 968999175, 968999188, 968999201, 968999202

ITEM	PART NO.	QTY.	DESCRIPTION
1	539105211	1	SEAT COMPLETE
2	539105539	2	ARM REST CUSHIONS (1 PAIR)
3	539105541	1	SEAT CUSHION
4	539105283	1	SEAT MOUNT
5	539104525	1	SEAT ROD
6	539105039	4	STUD
7	539990372	2	NUT 1/4 LOCK
8	539101341	2	HCS 3/8 X 3.0
9	539990546	4	NUT 3/8 LOCK
10	539976975	4	NUT 5/16 LOCK
11	539104789	1	DECAL, CROWN
12	539105540	1	BACK CUSHION
13	539990580	2	HCS 1/4 X 3/4
14	539105224	1	SEAT BRACKET W/DECAL
15	539990365	1	COTTER PIN
16	539105544	1	SEAT RAILS
17	539976978	4	NUT 1/4 NYLOC
18	539105545	1	SEAT HARNESS
19	539105542	1	SEAT SWITCH
20	539102685	1	LOOM CLIP (NOT SHOWN)

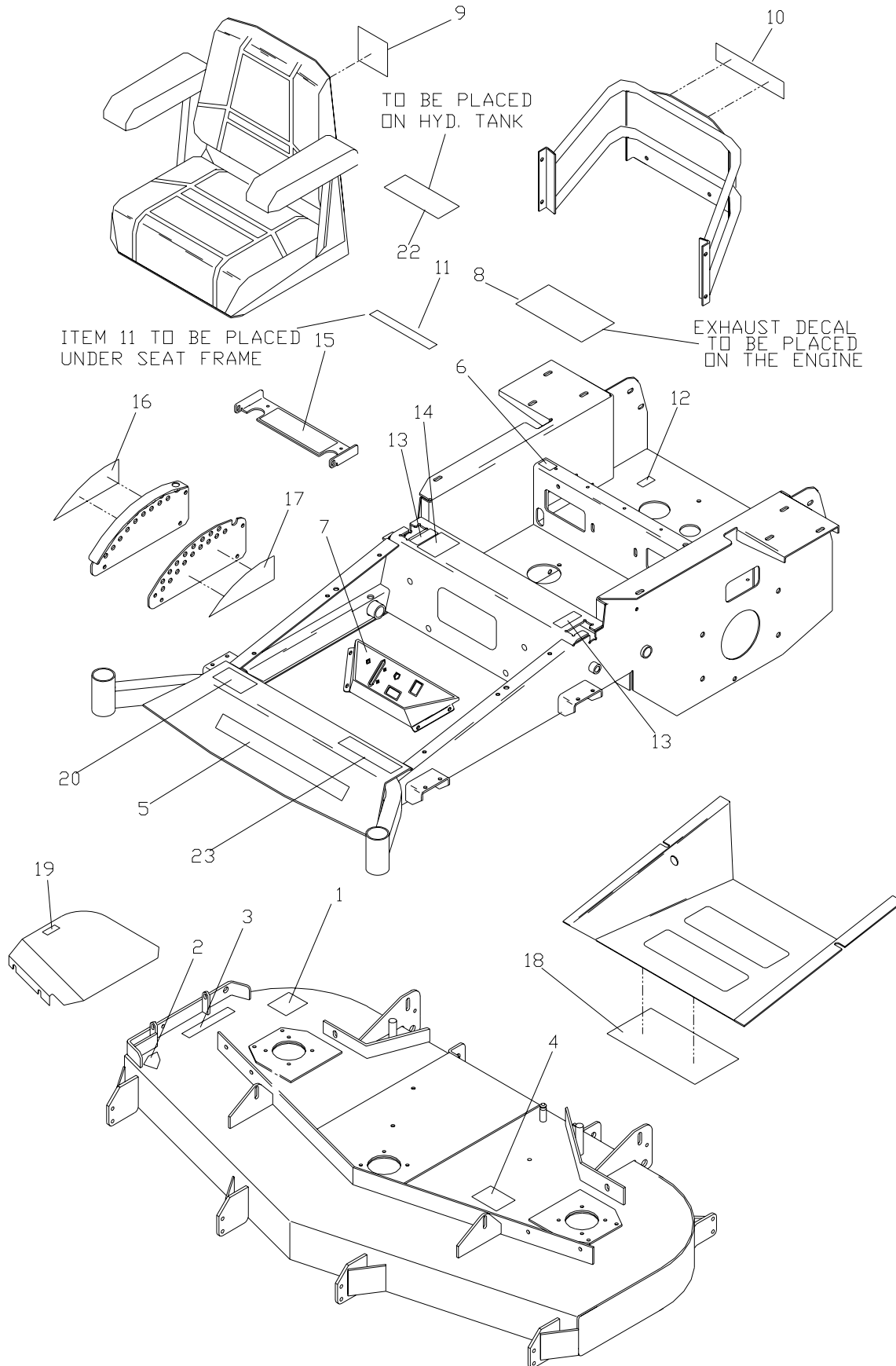
# Wiring Assembly



## Wiring Assembly

ITEM	PART NO.	QTY.	DESCRIPTION
1	539104414	1	CONSOLE HARNESS
2	539102463	1	12V BATTERY
3	539105728	1	BATTERY HOLD DOWN
4	539104974	1	POSITIVE CABLE
5	539102758	1	NEGITIVE CABLE
6	539102759	2	INSULATOR
7	539101080	3	INTERLOCK SWITCH
8	539102678	1	TAPPED PLATE
9	539976952	2	#10-24 X 5/8
10	539101770	1	IGNITION SWITCH ASSY.
11	539101768	1	PTO SWITCH
12	539102540	1	HOUR METER
13	539104964	1	FRAME HARNESS
14	539976934	2	HCS 5/16C X 3/4
15	539990184	2	NUT 5/16C CTR. LOCK
16	539102617	2	#10-24 X 7/8 SCREW
17	539976977	2	#10-24 HEX NYLOC NUT
18	539991034	2	SELF TAPPING SCREW
19	539103177	1	NUT IGN. SWITCH
20	539103178	1	CAP, IGN. SWITCH
21	539105169	2	KNOB
22	539102914	3	RELAY
23	539101771	1	7.5 AMP 32V ATO FUSE
24	539102086	1	20.0 AMP 32V ATO FUSE
25	539102587	4	BUMPER
26	539104812	1	KEY, PADDED

## Decal Assembly



## Decal Assembly

ITEM	PART NO.	QTY.	DESCRIPTION
1	539105232	1	DECAL, ANTI SCALP
2	539100344	1	DECAL, DANGER
3	539105746	1	DECAL, WARNING
4	539105012	1	DECAL, BELT ROUTING
5	539104790	1	DECAL, HUSQVARNA
6	539105334	1	DECAL, FUEL VALVE
	539102670	1	DECAL, FUEL VALVE STD.
7	539105010	1	DECAL, CONSOLE
8	539100128	1	DECAL, EXHAUST
9	539104789	1	DECAL, CROWN
10	539104787	1	DECAL, HUSQVARNA
11	539105745	1	DECAL, BATTERY
12	539101881	1	DECAL, PROP 65
13	539103333	2	DECAL, MOTION CONTROL
14	539103328	1	DECAL, THROWN OBJECTS
15	539105785	1	DECAL, WARNING
16	539104898	1	DECAL, HEIGHT
17	539104899	1	DECAL, HEIGHT
18	539105011	1	DECAL, SERVICE
19	539105743	2	DECAL, NO STEP
20	539105071	1	DECAL, NASCAR
21	539106056	2	DECAL, 7226 EFI
	539105051	2	DECAL, 5221
	539105052	2	DECAL, 5223
	539105053	2	DECAL, 5223L
	539105054	2	DECAL, 5225
	539105055	2	DECAL, 6123L
	539105056	2	DECAL, 6125
	539105548	2	DECAL, 6126 EFI
	539107128	2	DECAL, 6127
22	539105301	1	DECAL, MOBIL 1
23	539106061	1	DECAL, XP SERIES
24	539105744	2	DECAL, BELT DRIVES

For Husqvarna Parts Call 606-678-9623 or 606-561-4983

