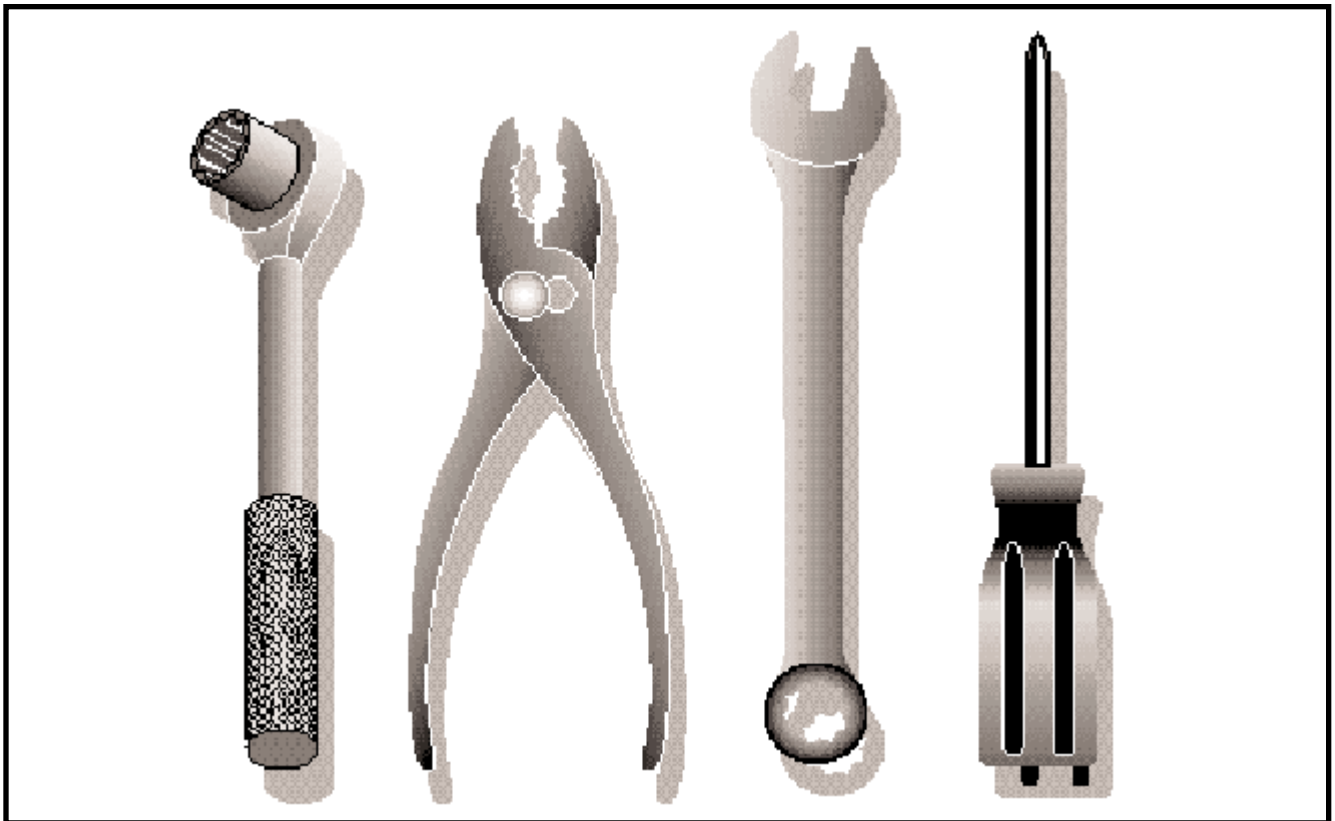




Illustrated Parts List	2002-02
	10202005

GTH 2350

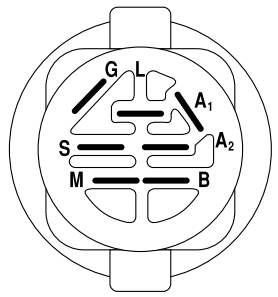
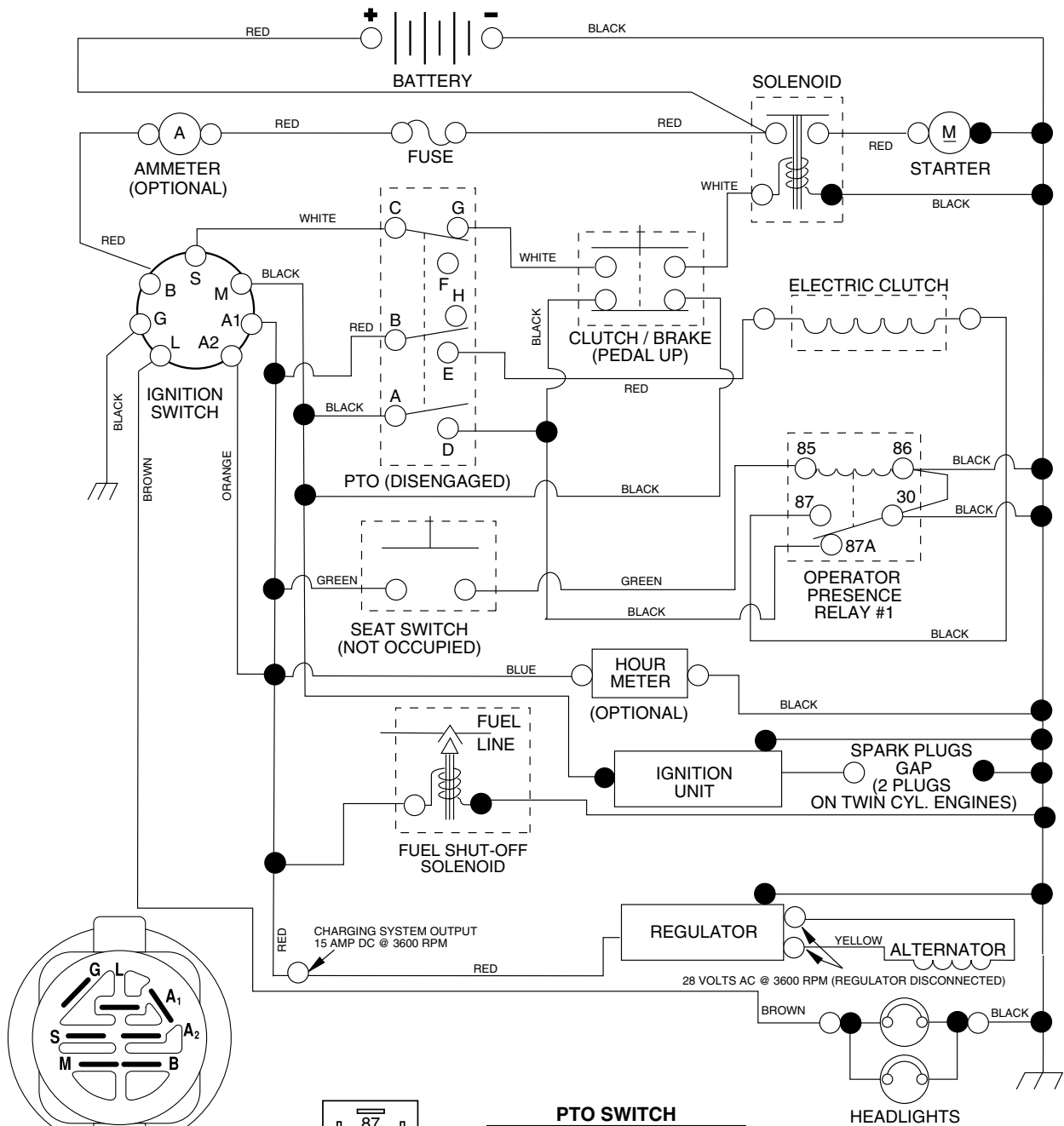
(GTHK 2350 A), 954568540



Repair Parts Manual

Ride Mower

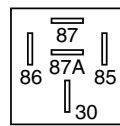
TRACTOR - - MODEL NO. GTH2350 (GTHK2350A), PRODUCT NO. 954 56 85-40
SCHEMATIC



IGNITION SWITCH

POSITION	CIRCUIT	"MAKE"
OFF	M + G + A1	NONE
ON + LIGHTS	B + A1	L + A2
ON	B + A1	NONE
START	B + S + A1	NONE

WIRING INSULATED CLIPS
NOTE: IF WIRING INSULATED CLIPS WERE REMOVED FOR SERVICING OF UNIT, THEY SHOULD BE REPLACED TO PROPERLY SECURE YOUR WIRING.



RELAY

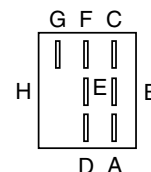
PTO SWITCH	
POSITION	CIRCUIT
OFF	C + G, B + H
ON	C + F, B + E, A + D



REMOVABLE CONNECTIONS



NON-REMOVABLE CONNECTIONS



REPAIR PARTS

TRACTOR - - MODEL NO. GTH2350 (GTHK2350A), PRODUCT NO. 954 56 85-40
ELECTRICAL

KEY NO.	PART NO.	DESCRIPTION
1	532 14 49-27	Battery
2	874 76 04-12	Bolt Hex Head 1/4-20 x 3/4
8	532 12 48-86	Tray, Battery
10	532 14 52-11	Bolt, Battery Front 1/4-20 x 7.5 Zinc
11	532 15 01-09	Holddown Battery Front Mount
12	532 14 57-69	Nut, Push Nylon 1.4" Battery Front
16	532 17 61-38	Switch Interlock
21	532 17 56-88	Harness Socket Light w/4152J
22	532 00 41-52	Bulb Light
25	532 17 07-55	Cable, Battery
26	532 10 88-24	Fuse
27	873 51 04-00	Nut Keps Hex 1/4-20
28	532 17 06-97	Cable, Ground
29	532 16 07-84	Switch, Plunger Normal Op Olive
30	532 17 55-66	Switch, Ign
33	532 14 04-01	Key
40	532 17 02-38	Harness Ign.
42	532 15 43-36	Cover, Terminal Red
46	532 16 96-35	Hourmeter Snap-In
48	532 14 08-44	Adapter Ammeter
50	532 17 46-51	Switch, PTO
79	532 17 52-42	Bulbholder Asm
81	532 10 97-48	Relay Asm.
89	532 16 96-39	Bracket Snap-In Hourmeter

NOTE: All component dimensions given in U.S. inches
1 inch = 25.4 mm

REPAIR PARTS

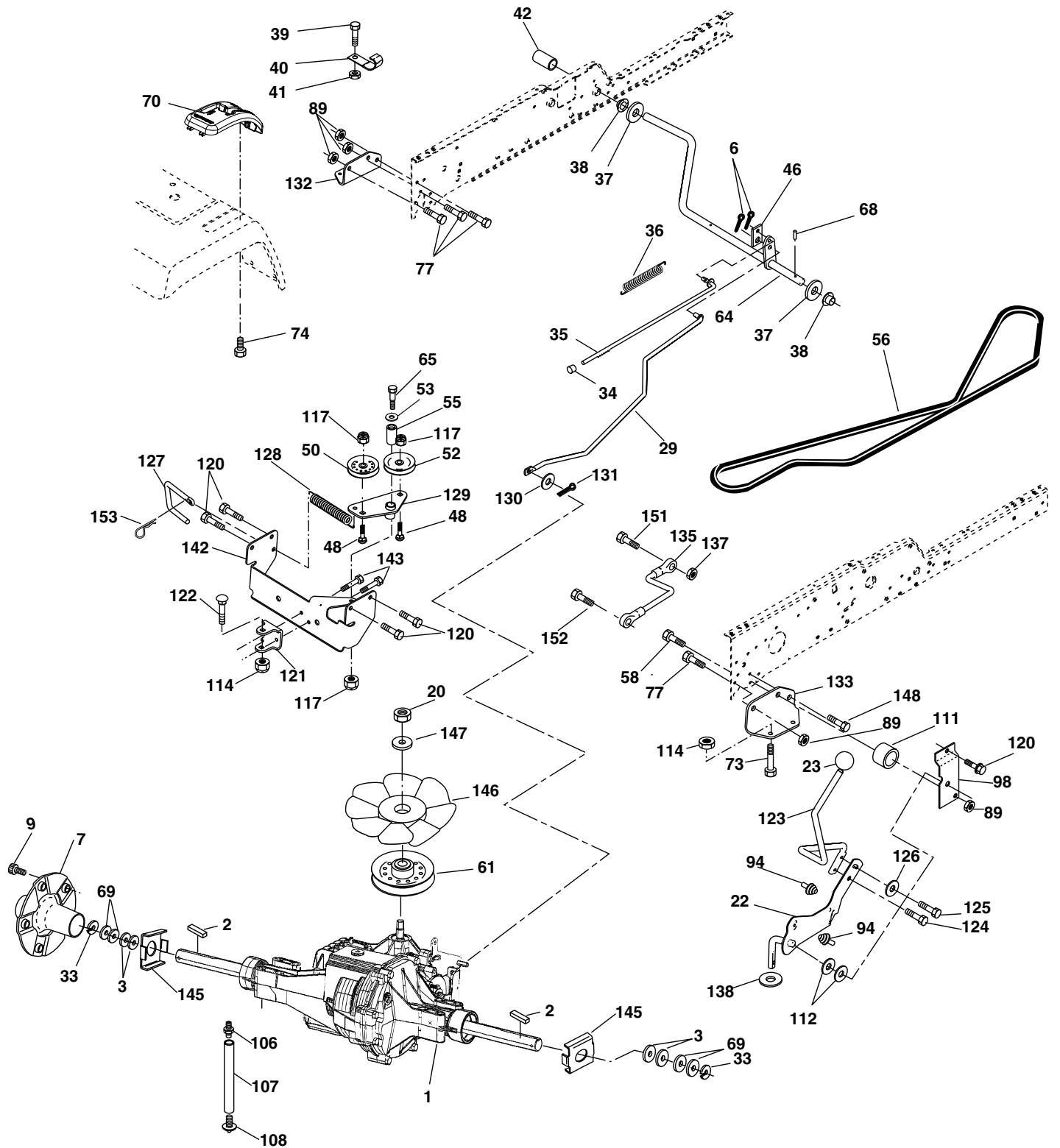
TRACTOR - - MODEL NO. GTH2350 (GTHK2350A), PRODUCT NO. 954 56 85-40
CHASSIS AND ENCLOSURES

KEY NO.	PART NO.	DESCRIPTION	KEY NO.	PART NO.	DESCRIPTION
1	532 18 03-72	Rail, Frame RH	58	532 17 53-15	Bracket Asm., Fender
2	532 17 52-82	Drawbar, Gt	60	817 06 06-20	Screw 3/8-16 x 1-1/4
4	873 80 07-00	Nut, Lock Hex 7/16 Unc	68	817 49 05-08	Screw, 5/16-18 x 1/2
5	532 17 75-82	Dash, Plastic	84	532 14 29-92	Stop Over Center
6	532 15 78-82	Dash, 1PCS, Lower	86	874 76 07-16	Bolt, Fin Hex 7/16-14 Unc x 1
7	817 72 04-08	Screw, Thd Cut 1/4-20 x 1/2	91	532 18 03-66	Rail, Frame Lh
8	532 14 51-66	Support, Battery	99	532 17 71-43	Rod Asm. Bypass
14	532 17 75-83	Hood Asm., Pnt	119	873 68 06-00	Nut Crownlock 3/8-16 Unc
15	532 16 18-41	Lens LH	122	532 16 14-64	Screw Hex WSHD 8-18 x 7/8
16	532 12 17-94	Cover, Access	130	532 16 48-63	Screw Hw Hd Hi-Lo #13-16 x 3/4
17	817 06 06-12	Screw, 3/8-16 x 3/4	137	874 78 07-16	Bolt Fin Hex 7/16-14 x 1 Gr. 5
18	532 17 75-84	Grille	138	532 18 17-98	Cupholder
19	819 13 13-12	Washer 13/32 x 13/16 x 12 Ga.	139	532 17 18-73	Bolt Shoulder 5/16-18
20	874 76 06-16	Bolt, Fin Hex 3/8-16 x 1	140	532 16 38-06	Magnet Stealth
21	873 68 06-00	Nut, Crownlock 3/8-16	141	532 16 38-05	Striker Plate
24	532 18 10-58	Footrest, RH	142	532 16 18-97	Bracket Dash Stealth RH
25	532 16 18-42	Lens RH	143	532 17 75-86	Skirt Grille RH
28	532 18 10-57	Footrest, LH	144	532 16 19-00	Bracket Dash Stealth LH
30	532 14 50-52	Saddle	146	532 17 75-87	Skirt Grille LH
31	532 16 14-19	Bracket Supt 1-pc Vgt Steering	148	532 16 46-55	Extrusion Bumper
32	532 16 13-27	Bracket, Frame Pivot Lh	150	532 16 12-37	Duct Heat Hood
33	532 16 13-26	Bracket, Frame Pivot Rh	152	532 17 79-56	Shield, Browning
34	532 17 70-18	Plate Asm Engine Chassis	153	532 17 97-65	Light Box Asm w/Lens
35	819 11 11-16	Washer 11/32 x 11/16 x 16 Ga.	156	817 00 05-12	Screw 5/16-18 x 3/4
36	817 06 05-12	Screw 5/16-18 x 3/4	158	817 67 06-08	Screw 3/8-16 x 1/2
37	532 18 17-20	Fender, Pnt.	159	817 00 06-12	Screw Hex Wsh Thdrol 3/8-16 x 3/4
39	532 17 52-78	Bracket, Axle Front	161	532 18 17-87	Consol Fuel Window
43	532 13 69-39	Bracket, Spnsn Front Lh	162	532 14 24-32	Screw Hex Wsh Hi-Lo 1/4-1/2 Unc
44	532 13 69-40	Bracket, Spnsn Front Rh	165	532 18 22-54	Bracket Support Fuel Tank
45	532 15 49-13	Bracket Asm., Susp Chassis Rh	166	873 68 07-00	Nut Crownlock 7/16-14
47	817 49 06-08	Screw Thdrol 3/8-16 x 1/2			
50	532 17 54-76	Bracket, Chassis Front			
56	532 15 49-14	Bracket Asm., Susp Chassis Lh			

NOTE: All component dimensions given in U.S. inches
 1 inch = 25.4 mm

REPAIR PARTS

TRACTOR - - MODEL NO. GTH2350 (GTHK2350A), PRODUCT NO. 954 56 85-40
GROUND DRIVE



REPAIR PARTS

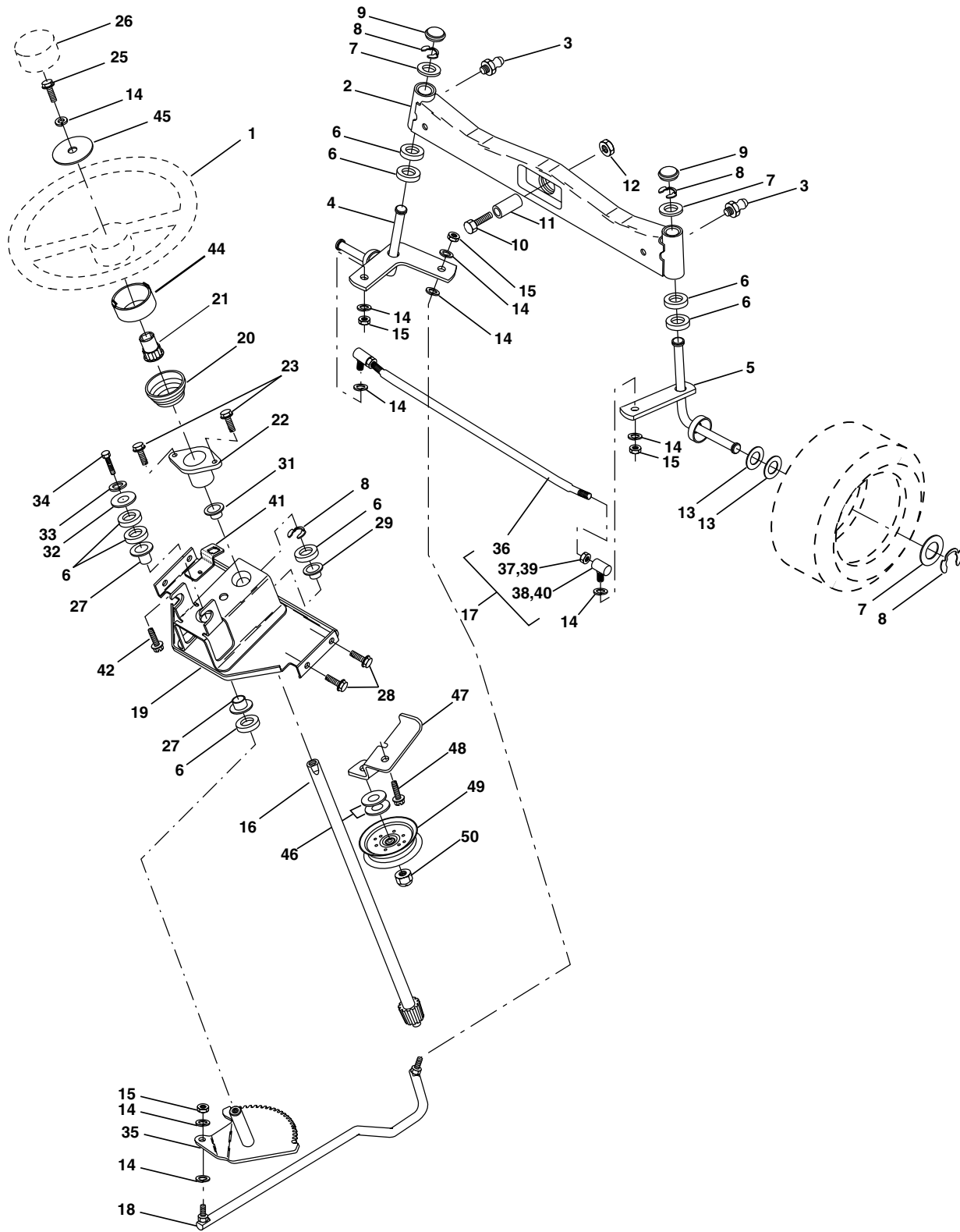
**TRACTOR - - MODEL NO. GTH2350 (GTHK2350A), PRODUCT NO. 954 56 85-40
GROUND DRIVE**

KEY NO.	PART NO.	DESCRIPTION	KEY NO.	PART NO.	DESCRIPTION
1	-----	Transaxle Hydro Gear 331-3000 (Order Parts From Transaxle Manufacturer)	77	874 76 07-16	Bolt Fin Hex 7/16-14 x 1
2	532 00 70-70	Key 1/4 x 2.5	89	873 68 07-00	Nut Crownlock 7/16-14 Unc
3	532 00 75-63	Washer	94	532 13 38-35	Fastener Christmas Tree
6	876 02 04-12	Pin, Cotter	98	532 14 10-04	Bracket Shift
7	532 14 05-07	Wheel, Hub Assembly	106	532 14 29-18	O-Ring Asm Hydro Gear
9	532 14 00-80	Bolt, Hub	107	532 15 47-39	Line Fuel Hydro 15" VGT
20	873 94 08-00	Nut	108	532 14 29-17	Cap Asm Vent Hydro Gear
22	532 18 02-35	Lever Asm Shift	111	532 15 62-40	Spacer Shift Lever VGTH
23	532 14 08-45	Knob	112	532 15 61-04	Washer Nylon High Temp
29	532 17 66-00	Brake, Rod	114	873 80 05-00	Nut Lock Hex W/Ins 5/16-18 Unc
33	812 00 00-53	Ring E	117	873 90 06-00	Nut, Lock Flg. 3/8-16
34	532 07 16-73	Cap, Parking Brake	120	817 06 06-12	Screw 3/8-16 x .75
35	532 13 76-48	Rod, Parking Brake	121	532 17 56-11	Bracket Strap Torque
36	532 14 94-12	Spring, Drive Ground	122	872 01 05-20	Bolt RDHDSQ 5/16-18 Unc x 2-1/2
37	532 12 17-49	Washer 25/32 x 1-1/4 x 16 Ga.	123	532 17 66-02	Rod Shift
38	532 15 00-35	Nyliner	124	532 16 54-92	Bolt Shoulder 5/16-18 x .561
39	874 32 10-16	Screw, Fin. #10-24 x 1	125	532 16 68-80	Screw 5/16-18 x 5/8
40	532 17 85-75	Actuator, Interlock VGT	126	532 16 60-02	Washer SRRTD 5/16 ID x 1.0 x .125
41	873 93 10-00	Nut Centerlock 10-24 Unc	127	532 17 73-62	Link Control Clutch
42	532 12 47-82	Cover, Pedal	128	532 17 66-24	Spring Drive GRND
46	532 14 51-70	Retainer, Spring	129	532 17 94-73	Bracket Asm Idler Tensioning
48	872 11 06-14	Bolt Rdhd 3/8-16 x 1.3/4 Gr. 5	130	819 13 10-16	Washer 13/32 x 5/8 x 16 Ga.
50	532 13 14-94	Pulley, Idler, Flat	131	876 02 03-12	Pin Cotter 3/32 x 3/4
52	532 12 77-83	Pulley, Idler, Grooved	132	532 17 54-67	Bracket Mtg Hydro 3500 LH VGT
53	532 00 02-07	Washer Hardened	133	532 17 54-68	Bracket Mtg Hydro 3500 RH VGT
55	532 10 57-06	Bearing, Idler	135	532 17 73-64	Link Asm Control Hydro 3500
56	532 16 15-97	V-Belt	137	532 12 49-49	Nut Lock 5/16-18 NC Thd.
58	874 76 07-24	Bolt Fin Hex 7/16-14 x 1-1/2	138	532 00 13-70	Washer Thrust 5/8 x 1.10 x 1/32
61	532 14 39-95	Pulley, Transaxle	142	532 17 54-69	Strap Torque HG-3500
64	532 17 66-01	Shaft, Brake Pedal	145	532 16 31-68	Washer Axle Flange HG-3000
65	532 06 76-09	Bolt, Shoulder	146	532 14 04-62	Fan 7" Hydro
68	532 00 51-42	Pin, Roll	147	532 14 13-22	Washer
69	532 12 38-00	Washer	148	817 06 06-20	Screw 3/8-16 x 1-1/4
70	532 18 17-88	Console Automatic YT/GT	151	874 76 05-14	Bolt Hex 5/16-18 x 7/8
73	874 49 05-48	Bolt Hex Flghd 5/16-18 x 3 Gr5	152	532 17 87-05	Bolt Hex 5/16 x 1 W/Patch
74	532 14 24-32	Screw Hex Wsh. Hi-Lo 1/4-1/2	153	532 12 47-88	Spring, Retainer

NOTE: All component dimensions given in U. S. inches 1 inch = 25.4 mm

REPAIR PARTS

TRACTOR - - MODEL NO. GTH2350 (GTHK2350A), PRODUCT NO. 954 56 85-40
STEERING ASSEMBLY



REPAIR PARTS

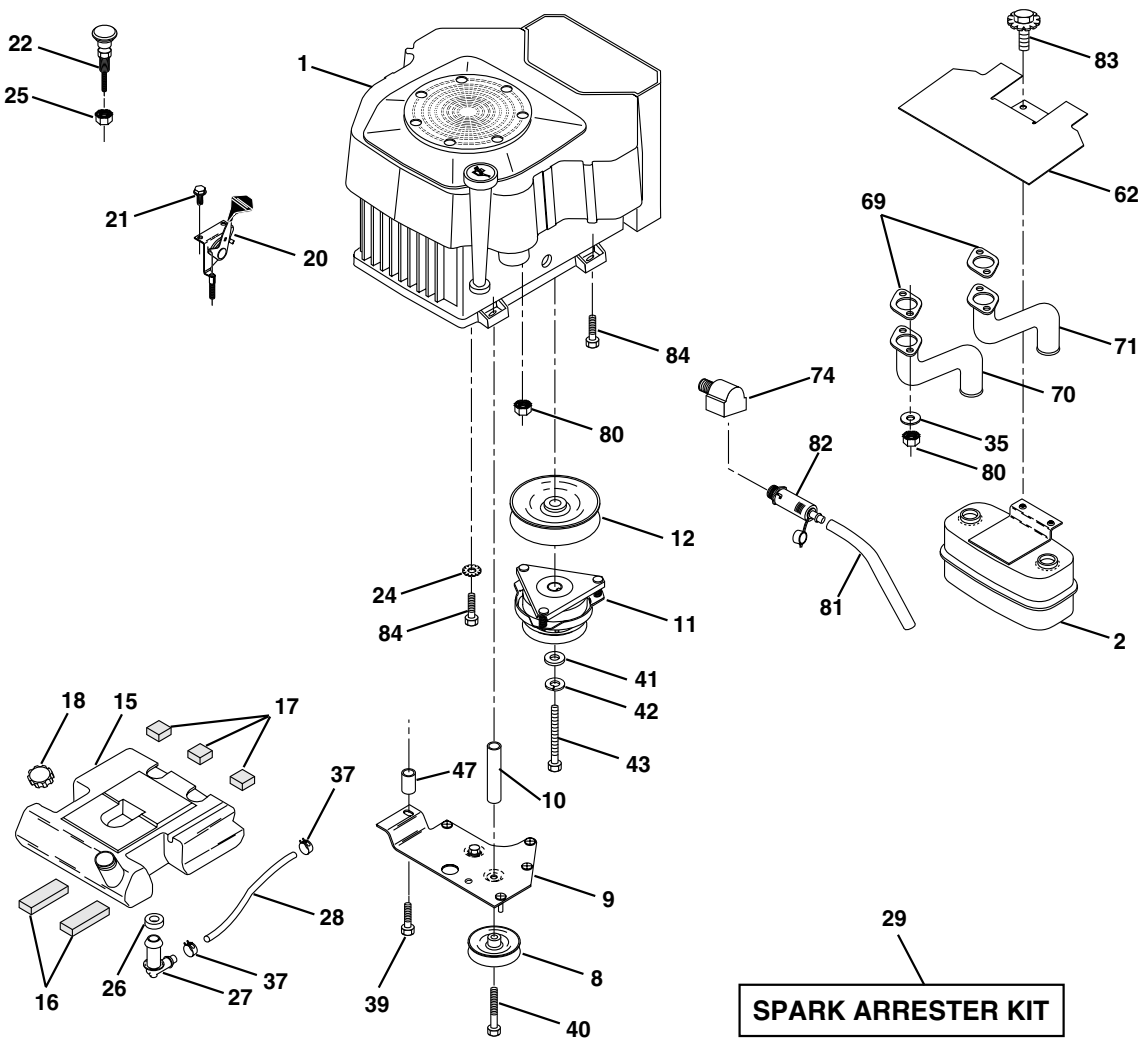
TRACTOR - - MODEL NO. GTH2350 (GTHK2350A), PRODUCT NO. 954 56 85-40
STEERING ASSEMBLY

KEY NO.	PART NO.	DESCRIPTION
1	532 16 66-27	Wheel, Steering
2	532 17 85-57	Axle Asm., Front
3	532 12 48-36	Fitting, Grease
4	532 16 18-49	Spindle Asm, LH
5	532 16 18-48	Spindle Asm., RH
6	532 12 49-31	Bearing, Race Thrust Harden
7	532 12 17-48	Washer 25/32 x 1-5/8 x 16 Ga.
8	812 00 00-29	Ring, Klip #T5304-75
9	532 12 12-32	Cap, Spindle
10	874 78 10-44	Bolt, Fin Hex 5/8-11 x 2-3/4
11	532 13 65-18	Spacer Brg Axle Front 1.570
12	873 90 10-00	Nut, Lock Flange 5/8-11 Unc
13	532 12 17-49	Washer 25/32 x 1-1/4 x 16 Ga.
14	810 04 06-00	Washer, Lock Hvy Hlcl Spr 3/8
15	532 12 47-01	Nut Lock Center 3/8-24 Unf
16	532 14 51-03	Shaft Asm., Steering
17	532 13 73-47	Rod Asm., Tie Ball J Ball Vgt (Inc. Key No. 36-40)
18	532 17 55-72	Draglink, Ball Joint Solid Vgt
19	532 15 60-11	Support Asm., Steering Vgt
20	532 17 75-92	Boot Steering
21	532 15 99-45	Adapter, Wheel Steering
22	532 15 51-05	Bushing, Strg.
23	532 15 29-27	Screw
25	874 78 06-16	Bolt, Fin Hex 3/8-16 x 1 Gr. 5
26	532 16 66-26	Cap, Wheel Steering
27	532 12 49-37	Bearing, Col. Strg.
28	817 00 06-12	Screw 3/8-16 x 3/4
29	532 10 42-39	Bearing, Flange
31	532 13 81-36	Bushing, Nyliner Snap
32	819 11 16-10	Washer 11/32 x 1 x 10 Ga.
33	810 04 05-00	Washer, Lock Hvy Hlcl Spr 5/16
34	874 78 05-12	Bolt, Hex Hd 5/16-18 x 3/4
35	532 13 80-59	Gear, Sector Steering
36	532 13 71-56	Tie Rod
37	873 36 06-00	Jam Nut RH Thread
38	532 10 98-50	Joint Asm. Ball RH Thread
39	873 70 06-00	Nut Hex Jam 3/8-24 UNF LH
40	532 10 98-51	Joint Asm Ball LH
41	532 15 52-46	Bracket Switch Inerlock VGT97
42	817 49 05-08	Screw 5/16-18 x 1/2
44	532 17 75-93	Extension Steering Premium
45	819 13 24-11	Washer 13/32 x 1-1/20 x 11 Ga.
46	819 13 16-10	Washer FLat 13/32 x 1/10 Ga.
47	532 17 94-71	Bracket Asm. Idler
48	817 06 06-12	Screw 3/8-16 x .75
49	532 17 58-20	Pulley Idler Flat
50	873 90 06-00	Nut Lock Flg 3/8-16 Unc

NOTE: All component dimensions given in U.S. inches
1 inch = 25.4 mm

REPAIR PARTS

TRACTOR - - MODEL NO. GTH2350 (GTHK2350A), PRODUCT NO. 954 56 85-40
ENGINE



SPARK ARRESTER KIT

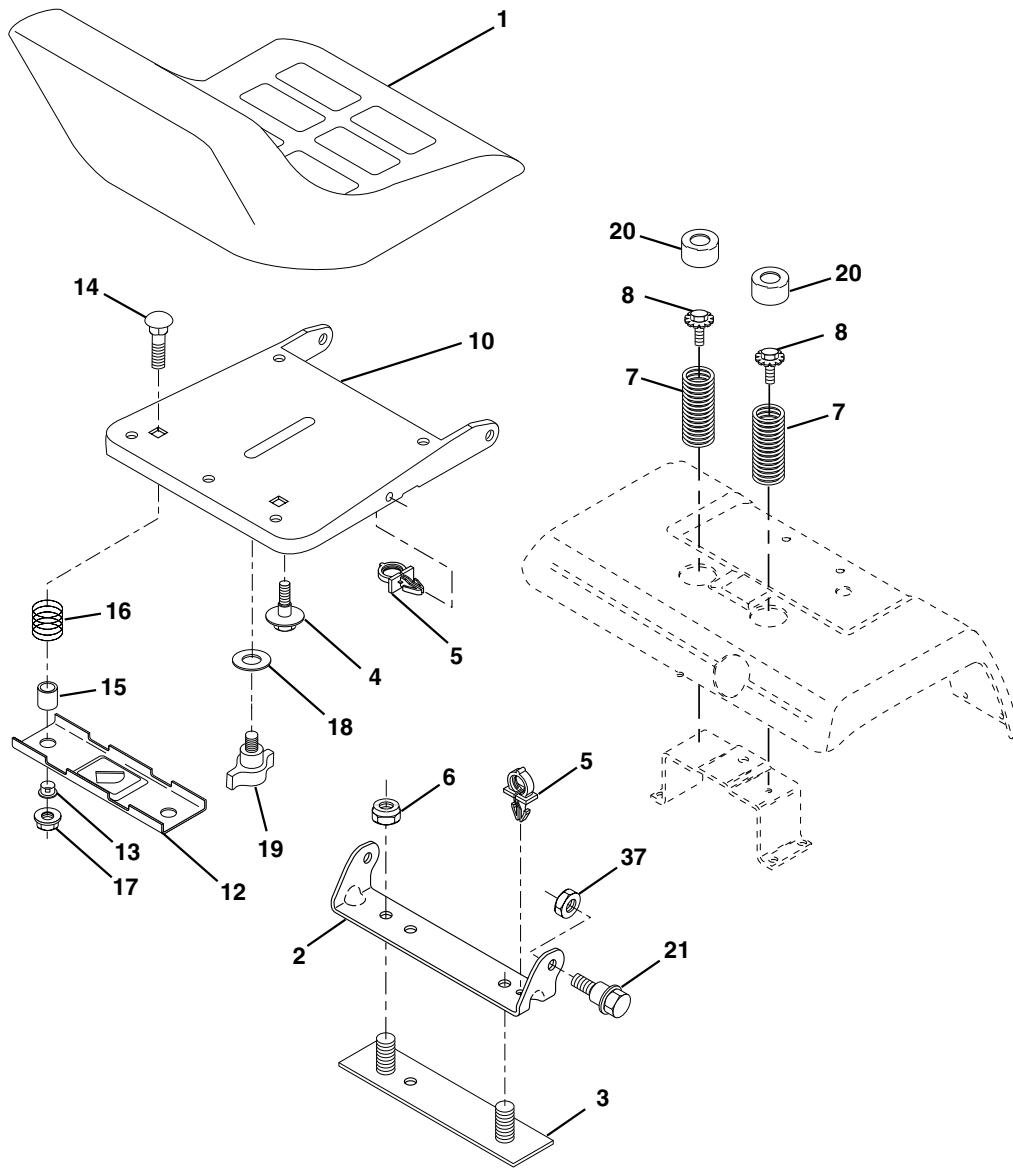
KEY NO.	PART NO.	DESCRIPTION
1	---	Engine Kohler Model No. CV675 (Order parts from engine manufacturer)
2	532 14 97-23	Muffler Side
8	532 12 13-61	Pulley V-Idler
9	532 17 77-48	Keeper Asm. Belt Engine VGT
10	532 17 52-87	Bushing
11	532 17 00-56	Clutch Electric
12	532 14 39-96	Pulley Engine VGT Elect Clutch
15	532 17 91-15	Tank Fuel
16	532 10 92-27	Pad Spacer
17	532 10 60-82	Pad Spacer
18	532 18 18-03	Cap Fuel
20	532 18 29-37	Control Throttle
21	532 16 48-63	Screw Hex Thd Cut 1/4 - 20 X 5/8
22	532 17 81-48	Control Choke
24	811 05 06-00	Washer Ext Tooth 3/8
25	873 92 06-00	Nut Keps 3/8-24 Unf
26	532 12 49-52	Bushing
27	532 13 92-77	Stem Tank Fuel
28	532 00 71-19	Fuel Line
29	532 13 71-80	Spark Arrester Kit
31	532 14 50-06	Clip Push-In Hinged

KEY NO.	PART NO.	DESCRIPTION
35	810 01 05-00	Washer
37	532 12 34-87	Clamp Hose
39	817 49 06-36	Screw TT 3/8-16 x 2-1/4 UNC
40	817 49 06-64	Screw TT 3/8-16 x 4 UNC
41	532 12 61-97	Washer 1-1/2 OD X 15/32 ID X .250
42	810 04 07-00	Washer Lock 7/16
43	532 17 99-53	Bolt Hex 7/16-20 X 3.75 Gr. 5
47	532 17 52-88	Bushing
62	532 14 66-29	Shield Heat Muffler
69	---	Gasket (Order from engine mfg.)
70	532 17 55-45	Tube Exhaust LH
71	532 17 55-46	Tube Exhaust RH
74	532 16 22-95	Elbow Street Brass
80	532 16 33-05	Nut Flange M8-1.25
81	532 14 84-56	Tube Drain Oil Easy
82	532 14 83-15	Plug Drain Oil Easy
83	532 17 18-77	Bolt 5/16-18unc X 1-3/4 W/Sems
84	817 06 06-24	Screw 3/8-16 x 1-1/2

NOTE: All component dimensions given in U.S. inches
1 inch = 25.4 mm

REPAIR PARTS

TRACTOR - - MODEL NO. GTH2350 (GTHK2350A), PRODUCT NO. 954 56 85-40
SEAT ASSEMBLY



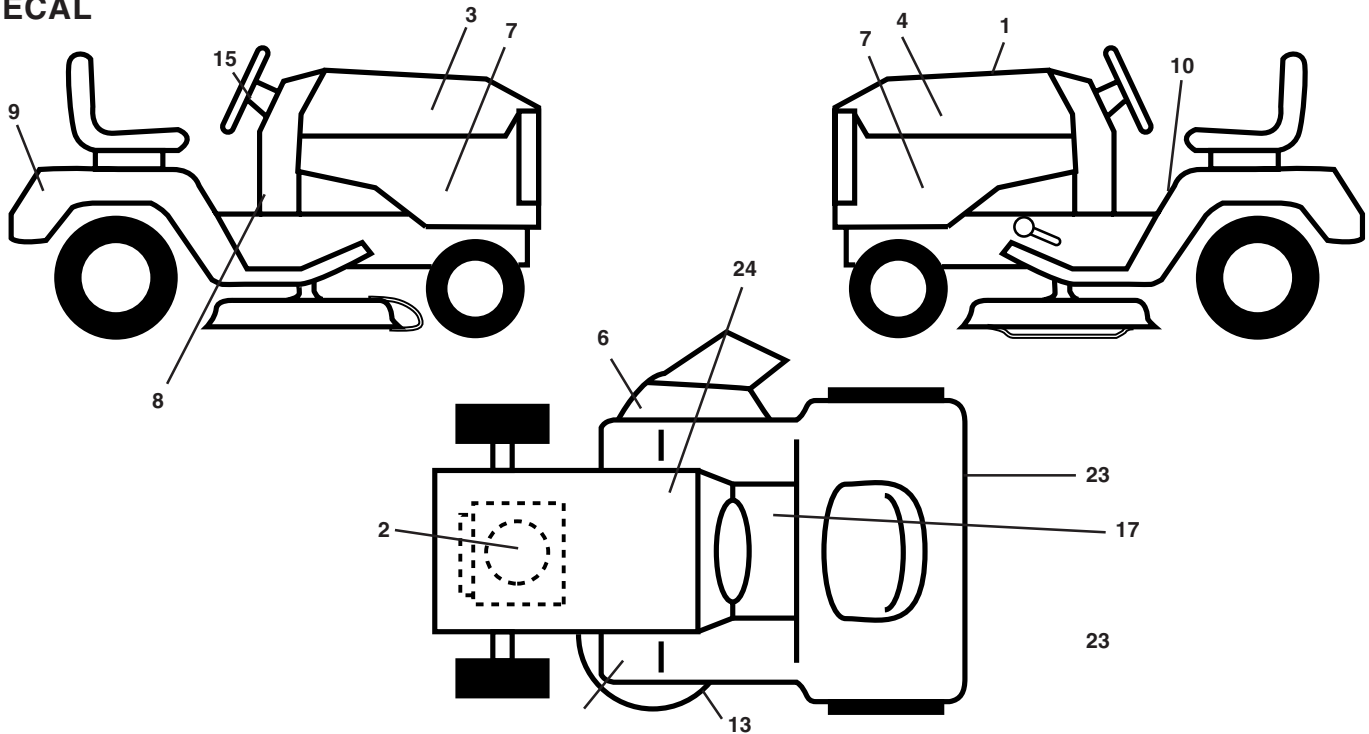
KEY NO.	PART NO.	DESCRIPTION
1	532 14 08-40	Seat
2	532 14 05-51	Bracket, Pivot Seat
3	532 14 06-75	Strap, Fender
4	532 12 70-18	Bolt Shoulder 5/16-18 x .62
5	532 14 50-06	Clip, Push In Hinged
6	873 80 06-00	Nut, Crownlock 3/8-16
7	532 12 41-81	Spring, Seat Cprsn
8	532 17 18-77	Bolt 5/16-18 UNC X 3/4
10	532 18 24-93	Pan, Seat
12	532 12 12-46	Bracket, Mounting Switch
13	532 12 12-48	Bushing, Snap

KEY NO.	PART NO.	DESCRIPTION
14	872 05 04-12	Bolt, Carriage 1/4-20 X 1-1/2
15	532 12 12-49	Spacer, Split
16	532 12 37-40	Spring, Cprsn
17	532 12 39-76	Nut, Lock 1/4 Lge Flg Gr. 5
18	819 17 19-12	Washer 17/32 x 1-3/16 x 12 Ga.
19	532 16 63-69	Knob Seat
20	532 12 42-38	Cap, Spring Seat
21	532 17 18-52	Bolt, Shoulder 5/16-18
37	873 80 05-00	Nut Lock Hx w/Ins. 5/16-18 Unc

NOTE: All component dimensions given in U.S. inches
1 inch = 25.4 mm

REPAIR PARTS

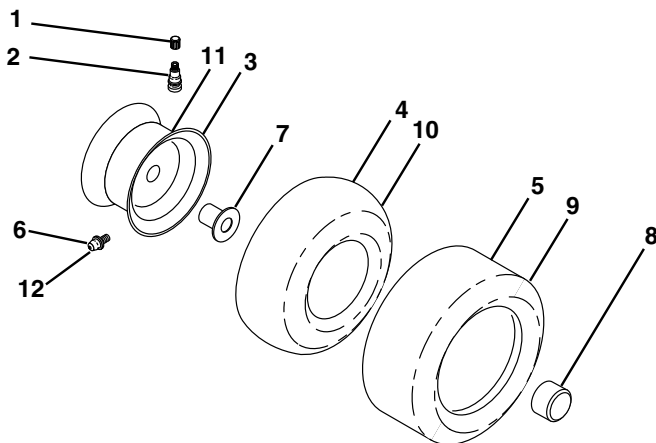
TRACTOR - - MODEL NO. GTH2350 (GTHK2350A), PRODUCT NO. 954 56 85-40
DECAL



KEY NO.	PART NO.	DESCRIPTION
1	532 18 23-91	Decal, Replacement Parts
2	532 17 67-75	Decal, Engine
3	532 18 16-62	Decal, Hood, RH
4	532 18 16-63	Decal, Hood, LH
6	532 17 05-63	Decal, Warning
7	532 18 24-09	Decal, Side Panel
8	532 18 08-23	Decal, Dash
9	532 17 68-22	Decal, Fender
10	532 15 71-40	Decal, Danger

KEY NO.	PART NO.	DESCRIPTION
11	532 18 12-53	Decal, Foot Rest
13	532 16 03-97	Decal, V-Belt Sch
15	532 17 05-64	Decal, Ins. Strg Whl
17	532 14 08-37	Decal, Saddle Brake Parking
23	532 10 62-02	Reflector, Taillight
24	532 14 50-05	Decal, Btry Dngr/Psn
--	532 16 69-60	Decal, Bypass
--	532 13 83-11	Decal, Handle Lift (Lift Handle)
--	532 18 19-17	Footrest Pad Rh
--	532 18 19-16	Footrest Pad Lh
--	532 18 06-66	Manual, Owner's (English)
--	532 18 06-67	Manual, Owner's (French)

WHEELS & TIRES

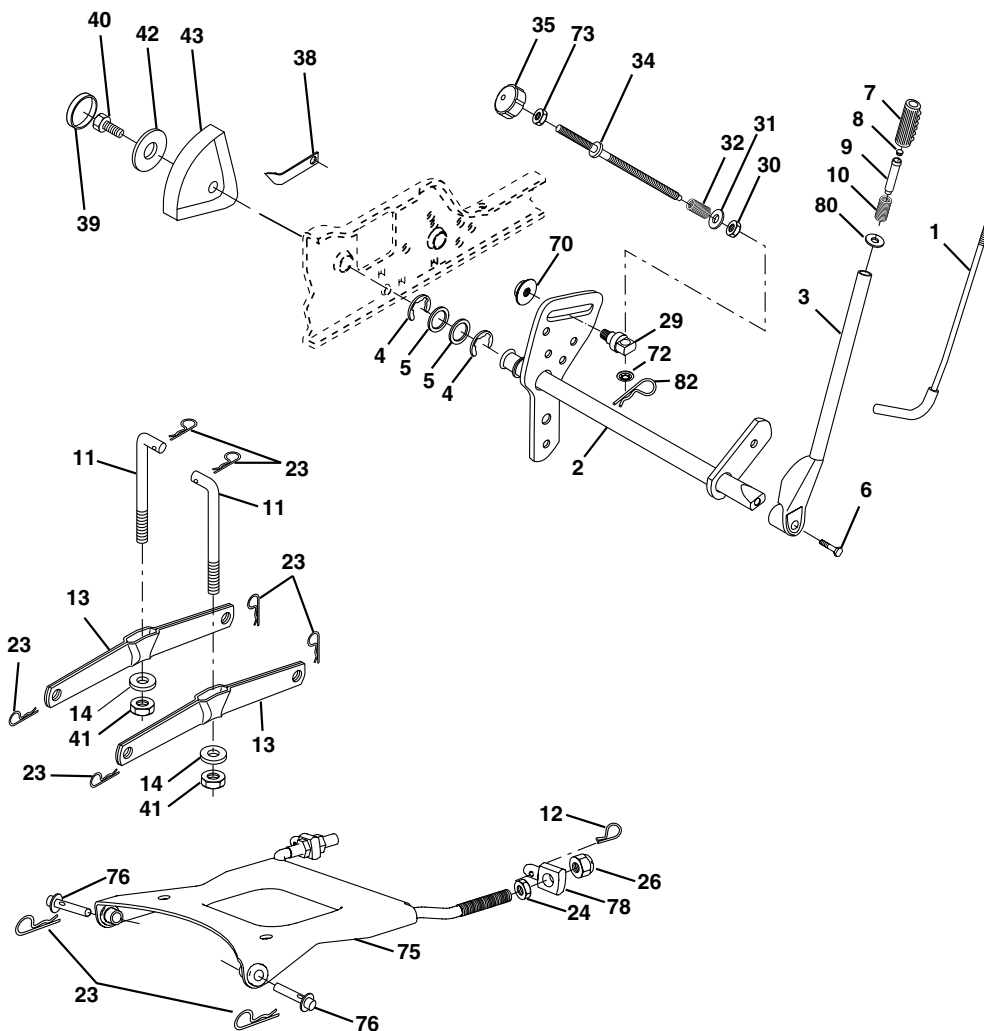


KEY NO.	PART NO.	DESCRIPTION
1	532 05 91-92	Cap, Valve, Tire
2	532 06 51-39	Stem, Valve
3	532 14 45-09	Rim Assembly, Front
4	532 00 81-34	Tube, Front (Service Item Only)
5	532 10 62-30	Tire, Front
6	532 12 49-57	Fitting, Grease
7	532 12 49-59	Bearing, Flange (Front Wheel Only)
8	532 17 50-39	Cap, Hub
9	532 10 55-88	Tire, Rear
10	532 00 71-54	Tube, Rear (Service Item Only)
11	532 14 45-10	Rim Assembly, Rear
12	532 12 48-60	Fitting, Grease
--	532 14 43-34	Sealant, Tire (10 oz. Tube)

NOTE: All component dimensions given in U.S. inches
1 inch = 25.4 mm

REPAIR PARTS

TRACTOR - - MODEL NO. GTH2350 (GTHK2350A), PRODUCT NO. 954 56 85-40
LIFT ASSEMBLY



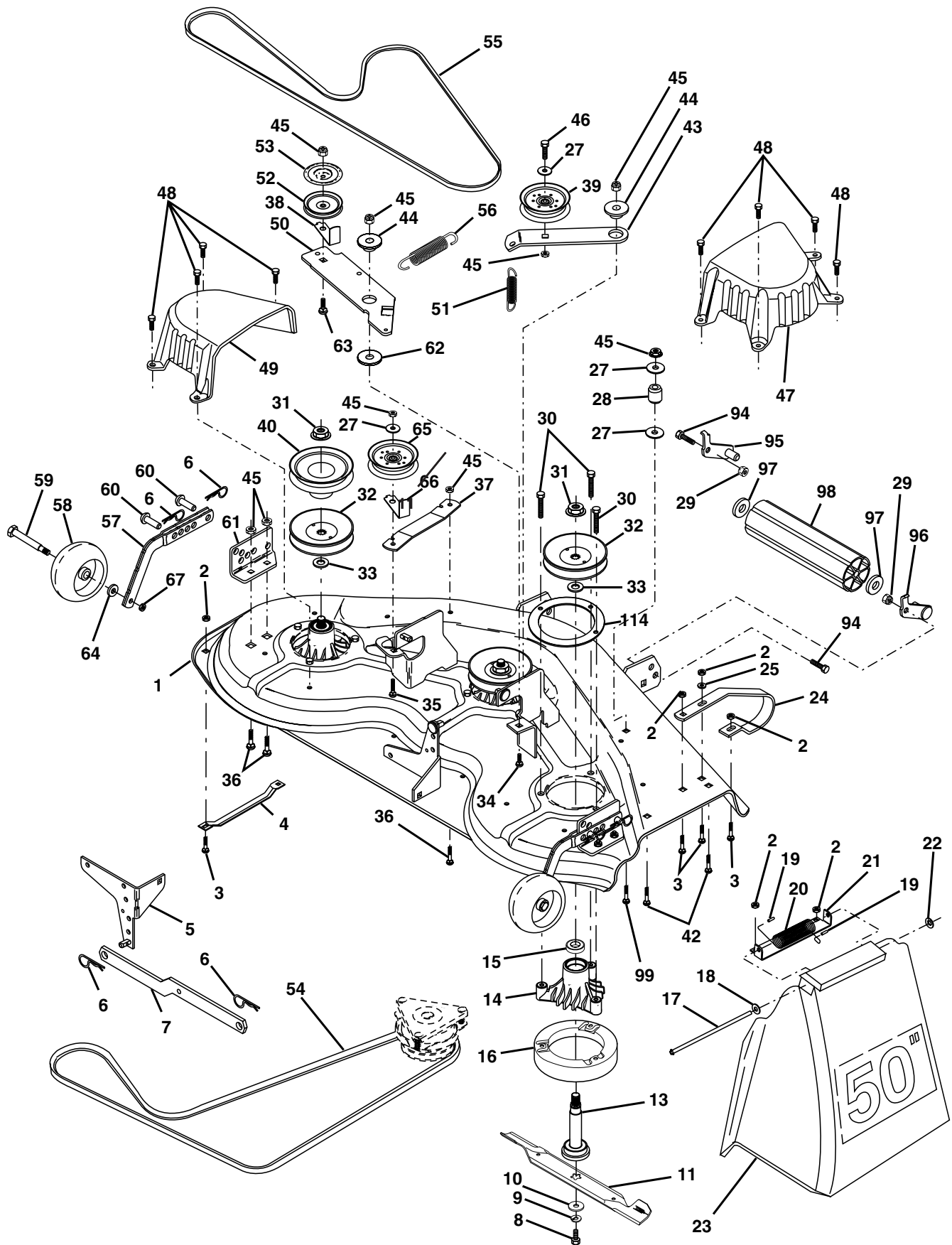
KEY NO.	PART NO.	DESCRIPTION
1	532 12 10-06	Rod Asm., Lever
2	532 18 00-45	Shaft Asm., Lift Vgt
3	532 15 91-89	Lever Asm., Lift Rh
4	812 00 00-22	E-Ring Truarc #5133-87
5	819 29 20-16	Washer 29/32 x 1-1/4 x 16 Ga.
6	871 11 06-24	Bolt, Fin Hex 3/8-16 x 1-1/2
7	532 12 56-31	Grip, Handle
8	532 12 45-26	Button, Plunger
9	532 12 23-64	Plunger, Lever Lift
10	532 12 48-74	Spring 2-1/8"
11	532 14 67-04	Link Lift
12	532 16 35-52	Retainer, Spring
13	532 13 98-68	Arm Assembly Suspension Mower
14	532 16 98-65	Bearing
23	532 12 46-70	Retainer, Spring
24	873 35 08-00	Nut, Jam Hex 1/2-13 Unc
26	873 80 08-00	Nut, Lock W/Wsh 1/2-13 Unc
29	532 15 02-33	Trunnion Infin Height
30	532 11 08-07	Nut, Special
31	819 13 10-16	Washer 13/32 x 5/8 x 16 Ga.

KEY NO.	PART NO.	DESCRIPTION
32	532 13 71-50	Spring, Compression Inf Hgt
34	532 13 71-67	Rod, Adj Lift
35	532 13 80-57	Knob, Inf 3/8-16 Unc
38	532 15 50-97	Pointer Height Indicator
39	532 12 39-35	Plug, Hole Blk. 1.485/1.515 Dia.
40	817 06 05-16	Screw 5/16-18 x 1
41	873 54 06-00	Nut Crownlock 3/8-24
42	819 11 24-10	Washer 11/32 x 1-1/2 x 10 Ga.
43	532 12 39-34	Scale, Indicator Height
70	532 14 52-12	Nut Hex Flange Lock
72	532 11 04-52	Nut Push Phos & Oil
73	873 35 06-00	Nut, Hex Jam 3/8-16 Unc
75	532 17 58-05	Plate, Asm, Susp, Front
76	532 17 55-60	Pin Flange
78	532 17 56-89	Trunnion, Front, Susp
80	532 12 66-84	Washer 1/4 x 5/8 x .062\
82	532 16 94-84	Retainer Clip

NOTE: All component dimensions given in U.S. inches
1 inch = 25.4 mm

REPAIR PARTS

TRACTOR - - MODEL NO. GTH2350 (GTHK2350A), PRODUCT NO. 954 56 85-40
MOWER DECK



REPAIR PARTS

TRACTOR - - MODEL NO. GTH2350 (GTHK2350A), PRODUCT NO. 954 56 85-40
MOWER DECK

KEY NO.	PART NO.	DESCRIPTION	KEY NO.	PART NO.	DESCRIPTION
1	532 18 30-56	Deck Asm., Mower 50"	42	872 14 05-06	Bolt, Carriage 5/16-18 Unc x 3/4
2	873 68 05-00	Nut, Crownlock 5/16-18	43	532 13 64-60	Arm, Idler Secondary
3	872 11 05-06	Bolt RdHd Sqnk 5/16-18 Unc x 3/4	44	532 12 20-52	Spacer, Retainer
4	532 12 50-74	RunnerLH	45	873 68 06-00	Nut, Crownlock 3/8-16 Unc
5	532 13 84-57	Bracket Asm., Sway Bar	46	874 76 06-28	Bolt, Fin Hex 3/8-16 Unc x 1-3/4
6	532 12 46-70	Retainer, Spring	47	532 13 72-00	Cover, Mandrel RH
7	532 17 80-24	Bar Sway Deck	48	532 13 77-29	Screw, Thd Roll 1/4-20 x 5/8
8	532 85 08-57	Bolt 3/8-24 x 1.25 Gr. 8 Patched	49	532 13 65-74	Cover, Mandrel LH
9	810 03 06-00	Washer, Lock Hvy 3/8 Unplated	50	532 13 72-72	Arm, Idler Primary
10	532 14 02-96	Washer, Hard Blade Mower Vented	51	532 13 72-73	Spring, Secondary
11	532 13 73-80	Blade (3 Required)	52	532 18 17-75	Pulley, Idler V Groove
13	532 13 75-53	Shaft Asm., W/Lower Brg	53	532 18 08-07	Shield, Idler
14	532 13 71-52	Housing, Mandrel 50" Vent	54	532 14 87-63	V-Belt, Mower Primary
15	532 11 04-85	Bearing, Ball Mandrel	55	532 14 49-59	V-Belt, Mower Secondary
16	532 17 44-93	Stripper, Mower Vented	56	532 13 86-87	Spring, Primary
17	532 10 67-35	Rod, Hinge	57	532 13 65-77	Bar Asm. Wheel Gauge Mower
18	819 11 10-16	Washer 11/32 x 5/8 x 16 Ga.	58	532 13 39-57	Wheel, Gauge
19	532 10 53-04	Cap Sleeve	59	532 13 76-44	Bolt, Shoulder
20	532 12 37-13	Spring, Torison Delector	60	532 13 90-31	Pin Clevis
21	532 13 76-07	Bracket, Deflector	61	532 13 65-73	Bracket Gauge Wheel
22	532 11 04-52	Nut, Push	62	532 13 39-43	Washer Hardened
23	532 11 05-09	Shield, Deflector Mower	63	872 11 06-12	Bolt Carriage 3/8-16 x 1-1/2
24	532 13 63-20	RunnerRH	64	819 12 14-14	Washer 3/8 x 7/8 x 14 Ga.
25	819 11 12-16	Washer 11/32 x 3/4 x 16 Ga.	65	532 17 39-81	Pulley Idler Flat Mower
26	872 11 06-06	Bolt RdHd Sht Sqnk	66	532 17 39-79	Keeper, Belt Idler Plated
27	819 13 13-16	Washer 13/32 x 13/16 x 16 Ga.	67	873 93 06-00	Nut, Center Lock 3/8-16
28	532 13 28-23	Spacer, Spring Stop Idler	94	874 76 05-16	Bolt H 5/16-18 x 1
29	873 80 05-00	Nut, Lock 5/16-18	95	532 17 57-46	Bracket, Asm. Noseroller LH
30	532 17 39-84	Screw Thd Rolling	96	532 17 57-47	Bracket, Asm. Noseroller RH
31	532 17 83-42	Nut, Flg Top Lock Cntr 9/16	97	819 17 14-16	Washer 17/32 x 7/8 x 16 Ga.
32	532 17 34-36	Pulley, Mandrel, Plated	98	532 13 22-64	Roller, Nose
33	532 12 99-63	Washer, Spacer Mower Vented	99	872 11 06-14	Bolt, Carriage 3/8-16 x 1-3/4 Gr. 5
34	872 14 06-10	Bolt, Carriage 3/8-16 x 1-1/4	114	532 15 31-83	Reinforcement Mandrel Ring
35	872 11 06-16	Bolt, Carriage 3/8-16 x 2	--	532 14 36-51	Mandrel Asm (Includes Housing, Shaft, and Shaft Hardware Only - Pulley Not Included)
36	872 11 06-08	Bolt, Carriage 3/8-16 x 1 Gr. 5	--	532 18 12-31	Replacement Mower, Complete
37	532 13 71-66	Stiffener, Arm Idler			
38	532 17 39-68	Keeper, Belt Idler			
39	532 17 34-38	Pulley, Idler Flat			
40	532 17 43-75	Pulley, Driven			

NOTE: All component dimensions given in U.S. inches
 1 inch = 25.4 mm