

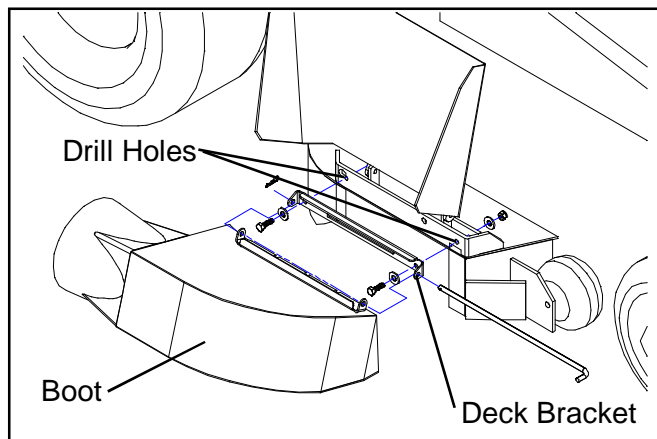


Mounting Instructions for CZ9 / CZ14 Custom Kit 540010012

BOOT

Parts List

540080641	Base Boot with Deck Bracket	1
540093814	Boot Rod, 14"	1
..	#13 Cotter Pin	1
..	5/16" Nylon Lock Nut	2
..	5/16" Flat Washer	4
..	5/16" x 1" Hex Bolt	2
..	Can be obtained locally	



Tools

Drill with 1/8" & 11/32" bits
1/2" Wrench
Ratchet & 1/2" Socket

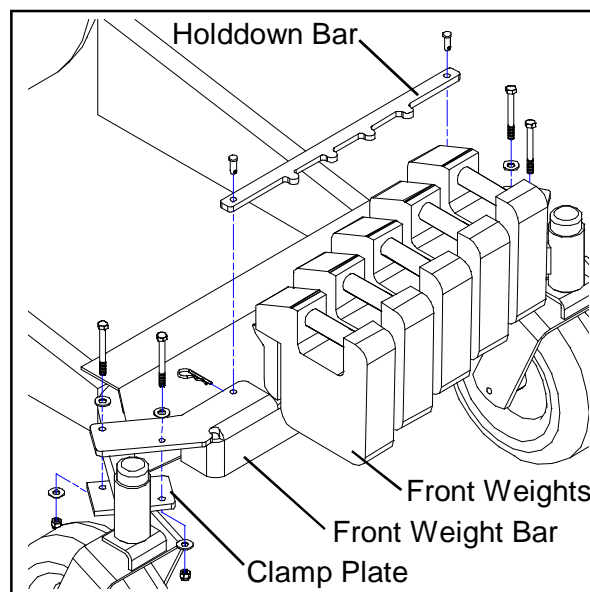
Mounting Instructions

- Flip up/hold discharge deflector and place Boot on deck as shown, making sure that the Boot completely covers the discharge opening of the deck. Mark and drill two (2) 1/8" pilot holes through deck to match Deck Bracket holes.
- Redrill with 11/32" bit. Secure Deck Bracket with two (2) 5/16" x 1" hex bolts, four (4) 5/16" flat washers, and two (2) 5/16" nylon lock nuts.

FRONT WEIGHT BAR

Parts List

540020255	Front Weight Bar	1
540092519	Clamp Plates	2
540092731	Holddown Bar	1
..	3/8" Nylon Lock Nuts	4
..	3/8" x 3-1/2" Hex Bolts	4
..	3/8" Flat Washer	8
..	#11 Cotter Pin	2
..	3/8" x 1" Clevis Pin	2
..	Can be obtained locally	



Tools

Ratchet with 9/16" Socket
9/16" Wrench

Mounting Instructions

- Place Front Weight Bar across the top of caster support tubes at the front of the mower. Slide Front Weight Bar as far forward as possible without blocking the holes in the Front Weight Bar.
- Position Clamp Plates under caster support tubes and align holes with those in Front Weight Bar. Secure with four (4) 3/8" x 3-1/2" hex bolts, eight (8) 3/8" flat washers, and four (4) 3/8" nylon lock nuts.
- Place all Front Weights (4 with CZ9 or 5 with CZ14) on Front Weight Bar.
- Place Holddown Bar over Front Weights and secure to Front Weight Bar using two (2) 3/8" x 1" clevis pins and two (2) #11 cotter pins.



Mounting Instructions for CZ9 / CZ14 Custom Kit 540010012

HITCH

Parts List

540020256	Hitch	1
..	3/8" x 1-1/4" Hex Bolts	8
..	3/8" Flat Washers	16
..	3/8" Nylon Lock Nuts	8

.. Can be obtained locally

Tools

- Drill with 1/8" & 13/32" bits
- Ratchet & 9/16" Socket
- 9/16" Wrench
- Combination Square
- Center Punch
- Marking Scribe

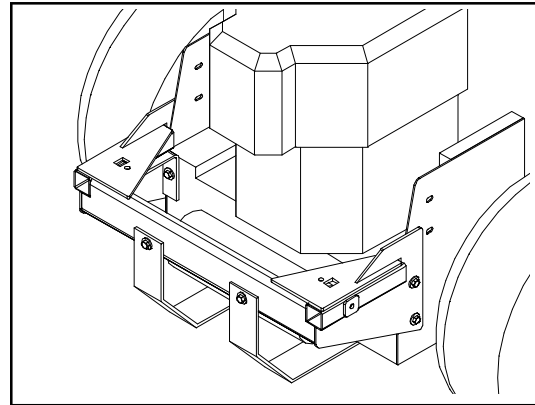


Figure 1. Assembled View

Mounting Instructions

- Remove rear bumper of mower. Raise/hold rear of mower and remove wheels.
- Using combination square and scribe, mark hole centers in back plate of mower frame as shown in Figure 2 below. Note: 0.75" dimension is to outside of mower frame. Use center punch to locate hole center.
- Drill 1/8" pilot hole in two locations marked. Redrill with 13/32" bit.
- Position Hitch to mower frame by aligning the holes in the Hitch Support Plates to the holes drilled in the previous step. Enlarge holes in mower frame if needed to insert bolts. Attach Hitch to mower frame using two (2) 3/8" x 1" hex bolts, four (4) 3/8" flat washers, and two (2) 3/8" nylon lock nuts.
- Attach Skid Plates to Hitch using two (2) 3/8" x 1" hex bolts, four (4) 3/8" flat washers, and two (2) 3/8" nylon lock nuts.
- Using Hitch as a guide, mark and centerpunch hole centers at two locations on each side of the mower frame. Drill 1/8" pilot hole in four locations marked. Redrill with 13/32" bit.
- Secure Hitch to mower frame using four (4) 3/8" x 1" hex bolts, eight (8) 3/8" flat washers, and four (4) 3/8" nylon lock nuts.
- Ensure all hardware is tight and replace wheels.

Figure 2. Hole Location

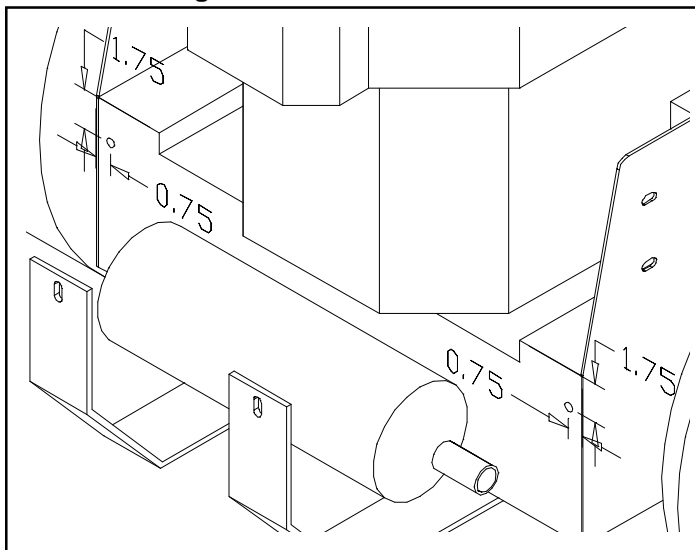


Figure 3. Exploded View

