

For Husqvarna Parts Call 606-678-9623 or 606-561-4983

Husqvarna



Model: CZ 9
Parts Manual

Decals

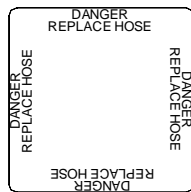
Safety and Instruction Decals

The following decals are found on the CZ9 Collection System. If any are missing or not legible, replace them before putting the equipment into operation.

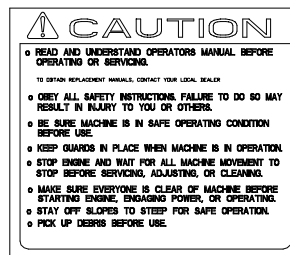
1



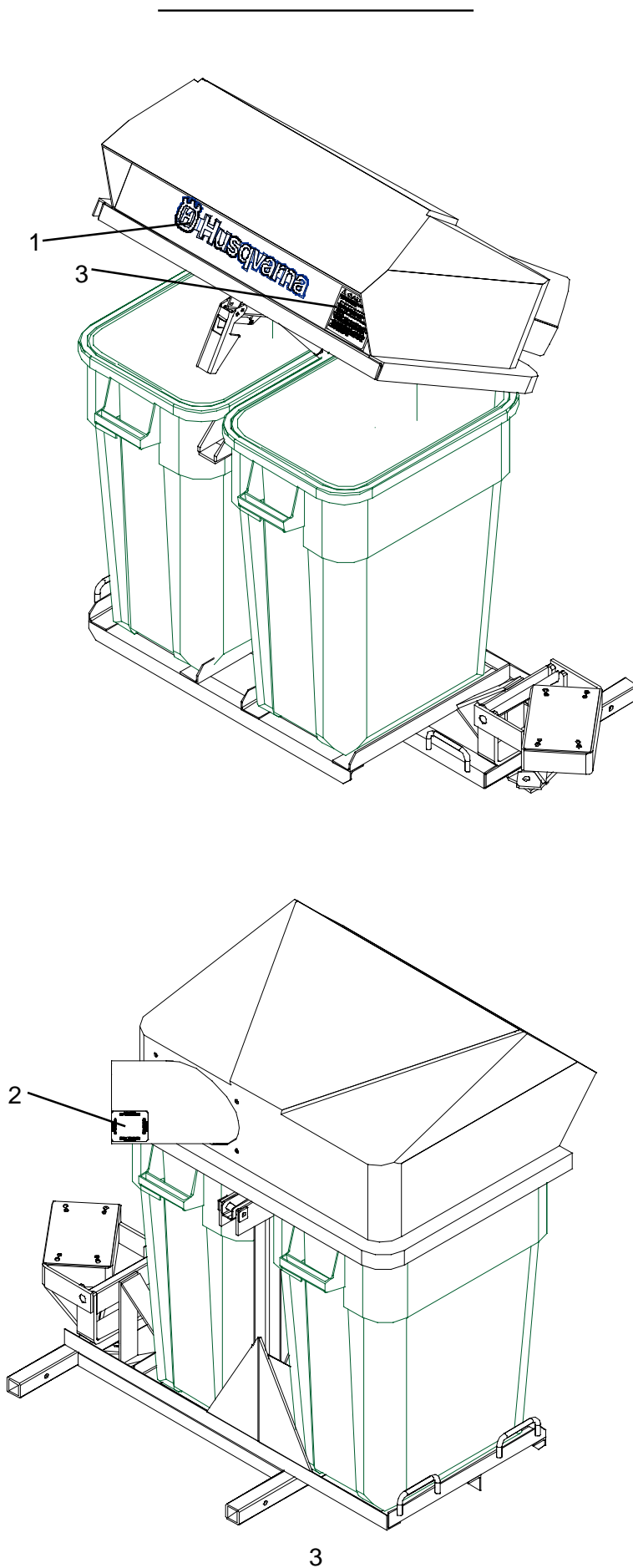
2



3

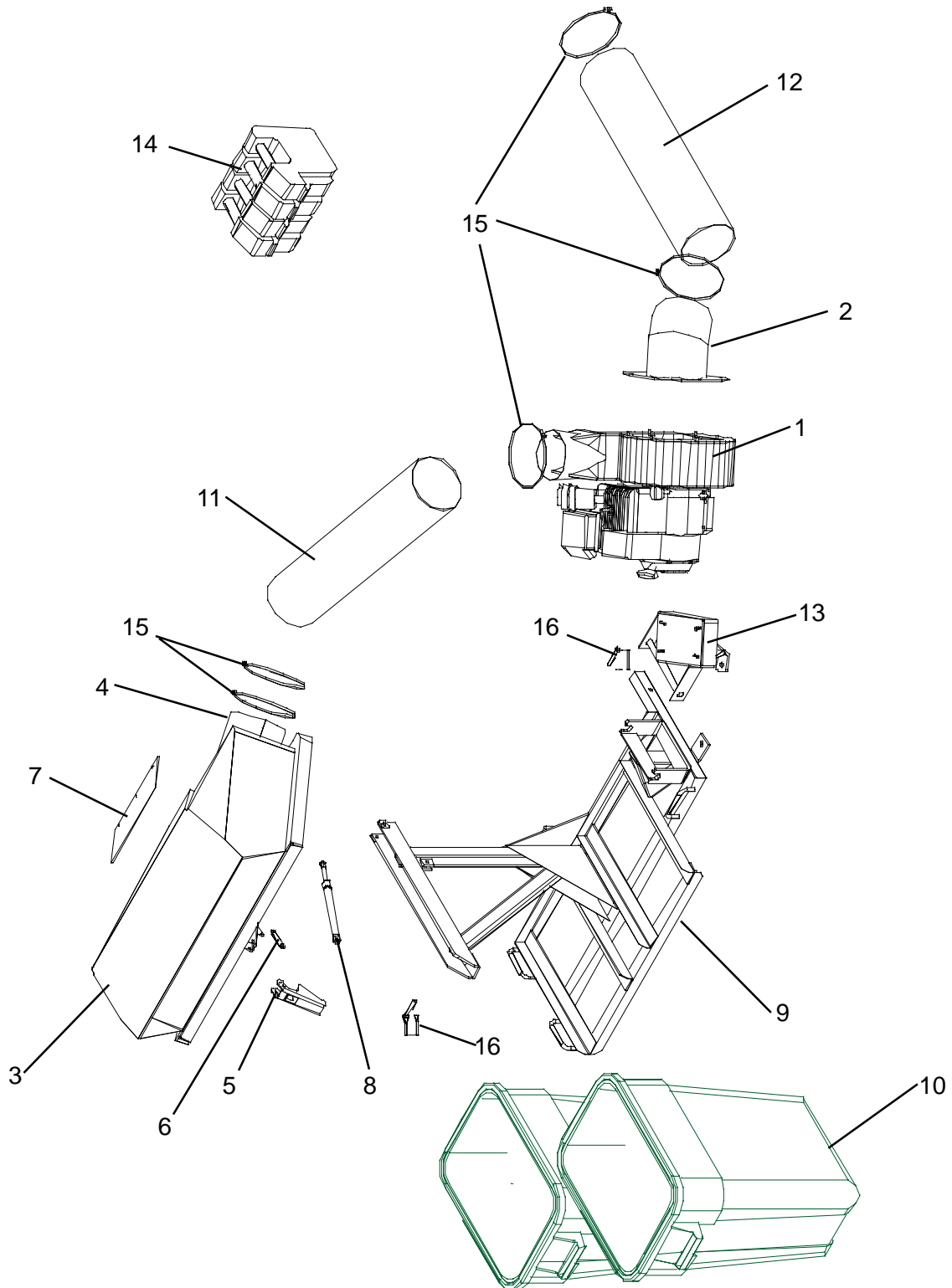


Decal Placement



Replacement Parts

Unit Assembly



Replacement Parts

<u>Description</u>	<u>Part No.</u>	<u>Guide</u>	<u>Qty.</u>
Vacuum Assembly, including:		1	1
Engine, 5.5 hp Briggs&Stratton Intek, OR	540051954	*	1
Engine, 6 hp Kohler, WITH	540054136	*	1
Blower Housing	540094004	*	1
Impeller	540094005	*	1
Manual/Hardware Package, including:	540094181	*	1
Small Parts Package, including:	540094251	*	1
Bolt, Hex 5/16"-18 x 1-1/2"	◆	*	4
Nut, Nylon 1/4"-20	◆	*	6
Washer, Flat 1/4"	◆	*	6
Nut, Nylon 5/16"-18	◆	*	4
Engine Manual	540098504	*	1
Inlet, Blower Housing	540092705	2	1
Decal, Caution List	540200027	*	1
Decal, Hot Surfaces	540094082	*	1
Bolt, Hex 5/16"-24 x 3/4"	540099012	*	5
Washer, Spring 5/16"	540099001	*	5
Set Screw, 3/8"-24 x 3/8	540099027	*	2
Key, Square 3/16" x 3/16" x 1-3/4"	540099002	*	1
<i>For Kohler Only:</i>			
Screw, Muffler Deflector	540097081	*	2
Deflector, Exhaust, 6 hp Kohler	540097055	*	1
Frame/Top Assembly, CZ9, including:	540092674	3-9	1
Top/Latch/Inlet Assembly, including:	540092675	3-7	1
Molded Top	540092720	3	1
Top Insert	540092754	*	1
Inlet	540092535	4	1
Latch	540092702	5	1
Spring	540093210	6	1
Clevis Pin, gas spring	540099102	*	1
Decal, 3x3 Red Hose Coverage	540092762	*	1
Rubber Flap, Pressure Relief	540092761	7	1
Gas Spring	540092704	8	1
Frame	540092700	9	1
Bolt, Hex 1/4"-20 x 2"	◆	*	2
Bolt, Hex 1/4"-20 x 5/8"	◆	*	14
Washer, Flat 1/4"	◆	*	20
Bolt, Hex 1/4"-20 x 3/4"	◆	*	3
Nut, Nylon 1/4"-20	◆	*	19
Pin, Cotter #13	◆	*	2
Weatherstripping, 1/2" x 1"	540093610	*	6 ft
Weatherstripping, 1/2" x 2"	540093611	*	6 ft
Bolt, Hex 3/8"-16 x 3"	◆	*	1
Nut, Nylon 3/8"-16	◆	*	1
Bolt, Hex 5/16"-18 x 1-1/2"	◆	*	1
Nut, Nylon 5/16"-18	◆	*	1
Decal, Husqvarna Logo	540104804	*	1
Decal, Hose Safety	540092762	*	1
Decal, Caution List	540200027	*	1
Container, 30 Gallon, Green	540093817	10	2
Hose, 7" x 36", Black	540097136	11	1
Hose, 7" x 54", Black	540097154	12	1

Replacement Parts

<u>Description</u>	<u>Part No.</u>	<u>Guide</u>	<u>Qty.</u>
Engine Mount	540092512	13	1
Front Weight	540092531	14	4
Small Parts Kit, <i>including:</i>	540092652	*	1
Operator's Manual, V260Z	540098582	*	1
Pin, Wire Lock 3/8	540099693	16	2
Hose Clamp 6" - to - 7"	540097076	15	5
Ear Plugs	540093961	*	1
Small Parts Package, <i>including:</i>	540094204	*	1
Bolt, Hex 1/2"-13 x 1-1/2"	◆	*	1
Nut, Hex 1/2"-13	◆	*	1
Washer, Split Lock 1/2"	◆	*	1
Bolt, Hex 5/16"-18 x 1"	◆	*	2
Washer, Flat 5/16"	◆	*	4
Nut, Nylon 5/16"-18	◆	*	2

* Not shown is assembly diagram

◆ Can be obtained locally