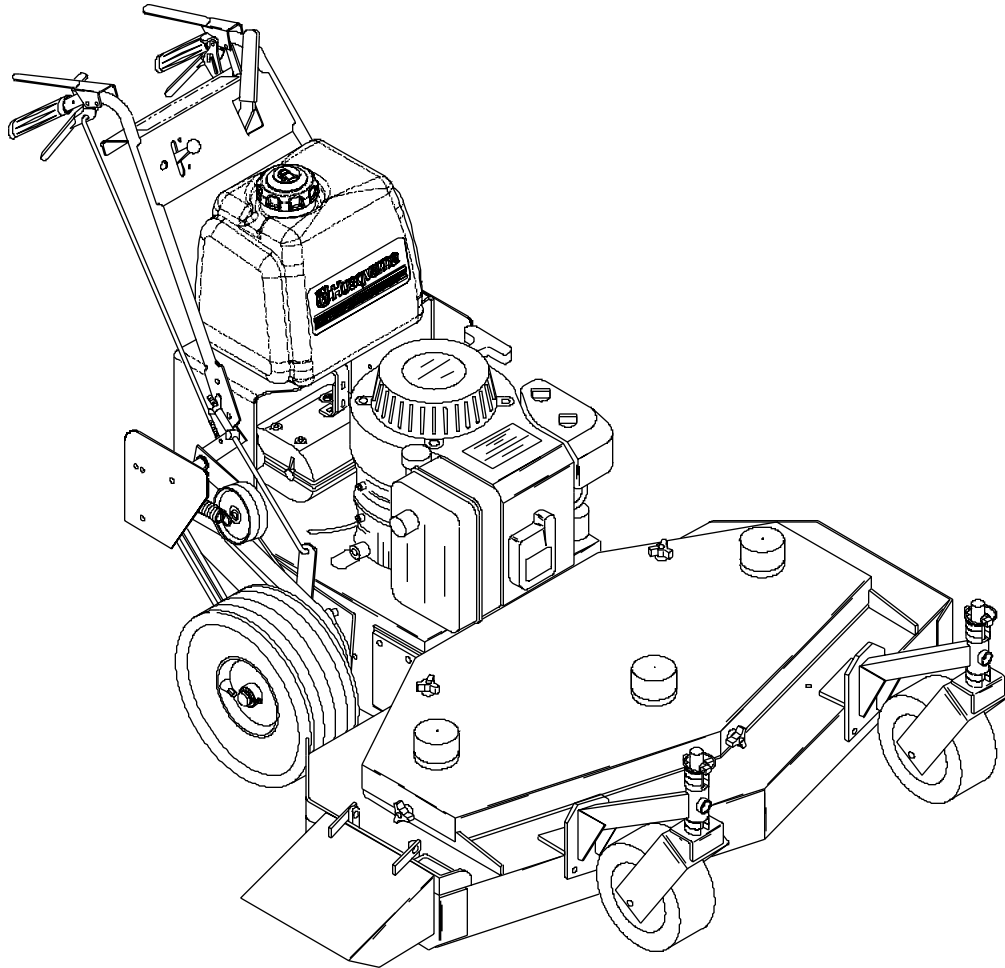


For Husqvarna Parts Call 606-678-9623 or 606-561-4983

 **Husqvarna**



Parts manual

Models:

968999114 / W3213

968999116 / W3613

MANUAL NO. 539106472 REV. IR (09/26/01)

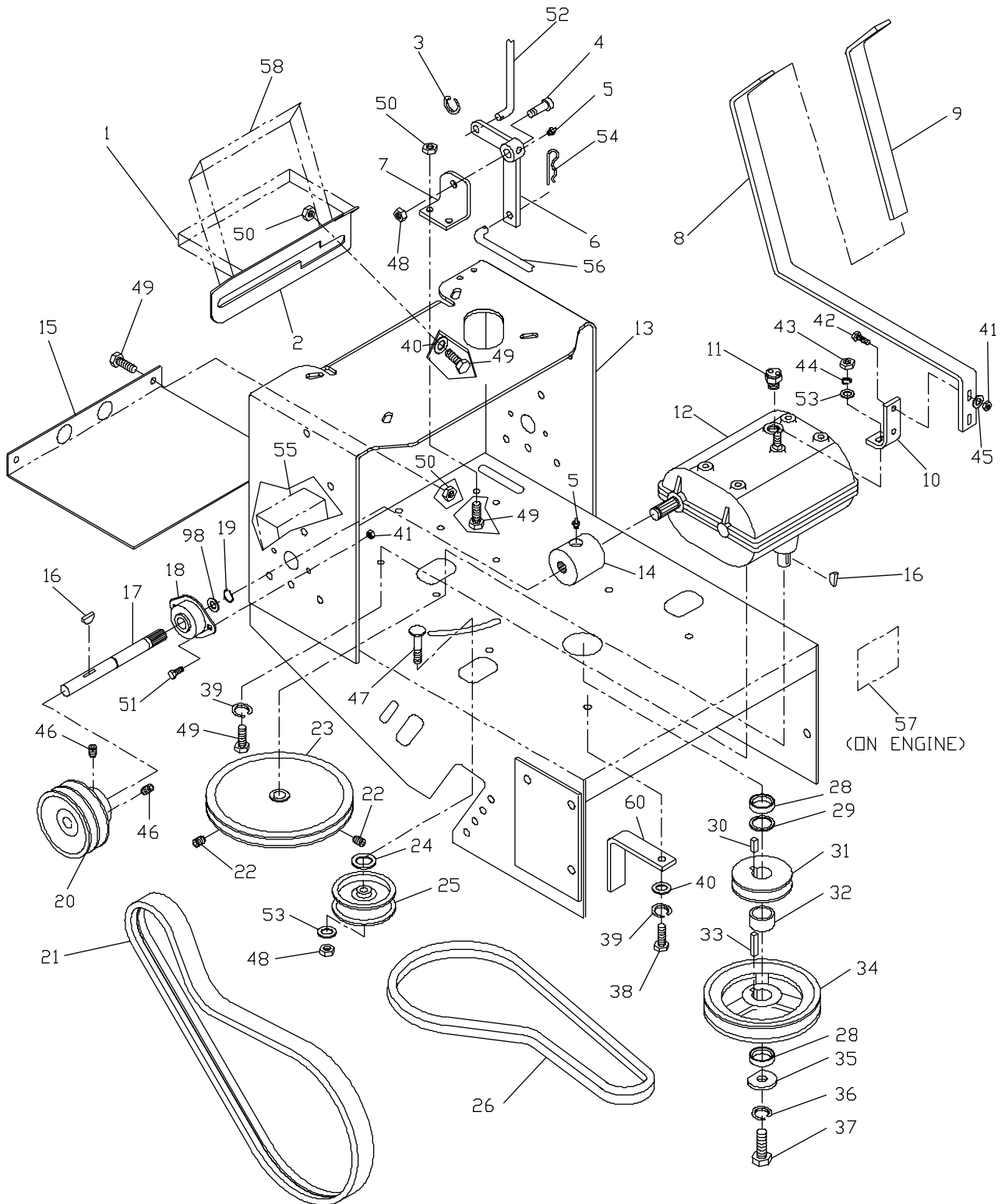
www.mymowerparts.com

Contents

SECTION	PAGE
TRANSMISSION & SHIFTER ASSEMBLY	4
WHEEL DRIVE & AXLE ASSEMBLY-32", 36" MODELS	6
TRACTION WHEEL ASSEMBLY-36" MODEL	8
TRACTION WHEEL ASSEMBLY-32" MODEL	10
32" & 36" FRONT DECK.....	12
CUTTER HOUSING ASSEMBLY	14
UPPER HANDLE	16
FRONT CASTER ASSEMBLY	18
WIRING HARNESS	20
TRANSMISSION.....	22

Husqvarna policy is to improve its products whenever it is possible and practical to do so. In an effort to keep pace with changes in technology, Husqvarna reserves the right to make changes or improvements at any time without incurring any obligation to make such changes on products previously manufactured.

Transmission & Shifter Assembly

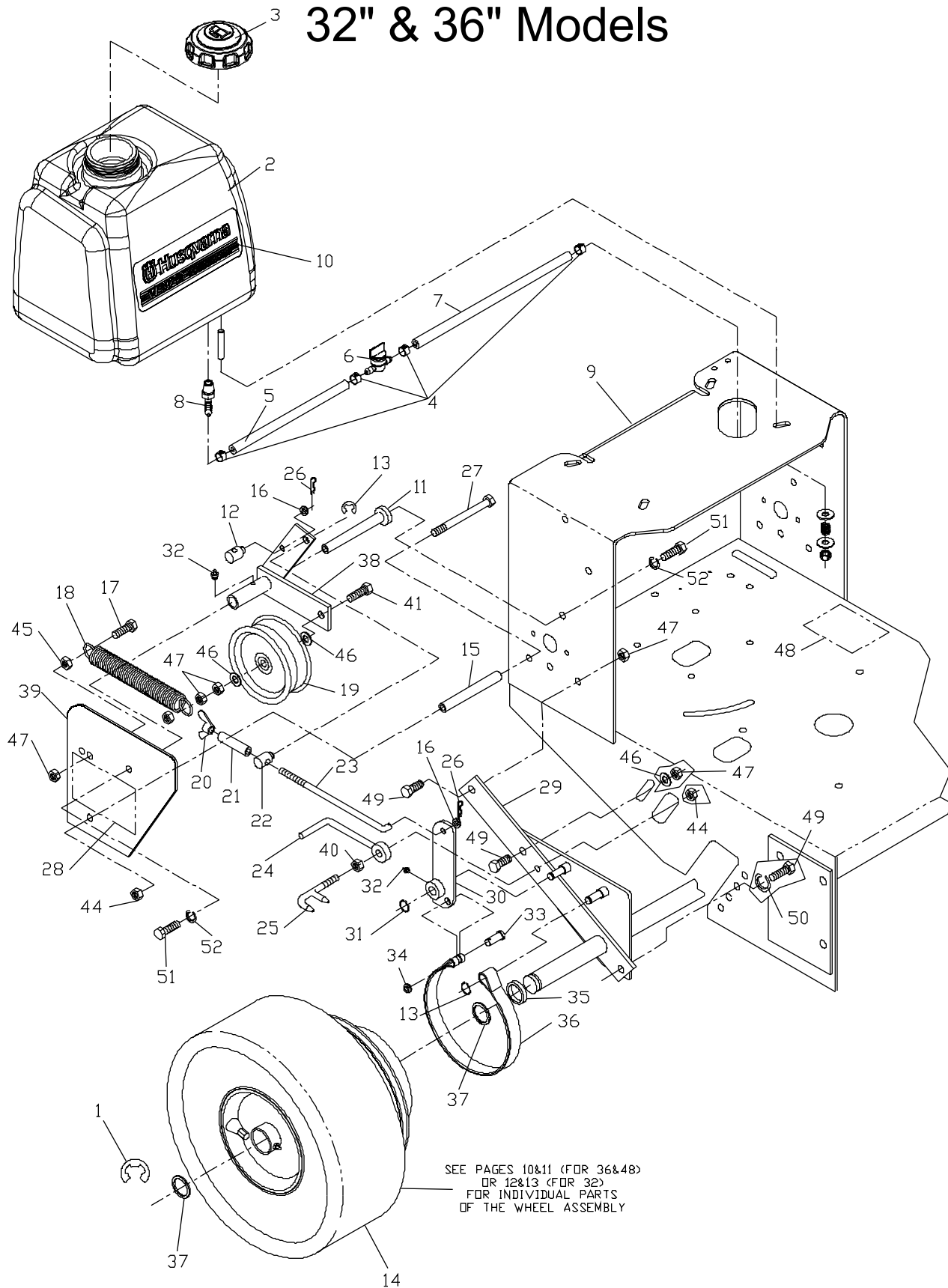


Transmission & Shifter Assembly

ITEM	PART NO.	QTY.	DESCRIPTION	ITEM	PART NO.	QTY.	DESCRIPTION
1	539100277	1	DECAL,SHIFTER	31	539919148	1	PULLEY
2	539101960	1	SHIFTER PLATE	32	539101720	1	SPACER
3	539916459	1	RETAINER	33	539101995	1	KEY 1/4SQ. X 1 1/8
4	539100150	1	SB 1/2C X 3/4	34	539101834	1	ENGINE PULLEY
5	539976998	3	ZERK1/4-28 STRHT	35	539106504	1	HEAVY WASHER
6	539100066	1	BELLCRANK	36	539990247	1	SLW 7/16 STD
7	539104648	1	BRACKET	37	539100141	1	HCS 7/16F X 1.5 GR 5
8	539101961	1	SHIFTERARM	38	539100567	4	HCS M8-1.25 X 30MM
9	539101965	1	SHIFTER GRIP	39	539990187	8	SLW 5/16 STD
10	539102165	1	SHIFTER BRKT.	40	539990692	6	5/16 FW STD
11	539100148	1	TRANS. SWITCH	41	539990761	6	HLN 1/4C
12	539102162	1	TRANSMISSION	42	539977761	2	HCS 1/4C X 1
13	539106498	1	REAR DECK W/DCLS	43	539990155	1	NUT 3/8F
14	539102164	2	COUPLING	44	539990118	1	SLW 3/8 STD
15	539104547	1	LOWER BELT SHIELD	45	539990598	2	FW 1/4 STD
16	539910211	3	#9 WOODRUFF KEY	46	539976956	4	5/16 NYLOC SETSCW(36")
17	539102163	2	DRIVE SHAFT			2	(32" MODELS)
18	539101967	2	BEARING	47	539100145	1	RHSNB 3/8C X 2
19	539101971	2	RETAINER RING	48	539990546	2	HLN 3/8C CENTER P.
20	539101954	2	DRIVE PULLEY(36)	49	539976934	10	HCS 5/16C X 3/4
	539102154	2	DRIVE PULLEY(32)	50	539990184	6	HLN 5/16C
21	539101956	2	DRIVE BELT(36)	51	539990072	4	HCS 1/4C X 5/8
	539102149	2	DRIVE BELT(32)	52	539101972	1	BLADE ROD
22	539101988	2	1/4 NYLOC SETSCW.	53	539990517	2	FW 3/8 STD
23	539101964	1	INPUT PULLEY	54	539976989	1	#4 HAIRPIN
24	539990550	1	1/2 FLAT WASHER	55	539105744	1	DANGER DECAL
25	539919078	1	IDLER PULLEY	56	539102048	1	BLADE ROD
26	539101957	1	BELT, TRANSMISSION	57	539100128	1	EXHAUST DECAL
27	539102036	1	BELT GUIDE (NOT SHOWN)	58	539102047	1	DECAL, CLUTCH
28	539921960	2	SPACER	59	539991043	2	MACH. BUSHING
29	539102050	1	MACH. BUSHING	60	539103462	1	BELT GUIDE, LONG
30	539105718	1	KEY 1/4SQ. X 1/2	61	539103463	1	BELT GUIDE, SHORT (NOT SHOWN)

Wheel Drive & Axle Assembly

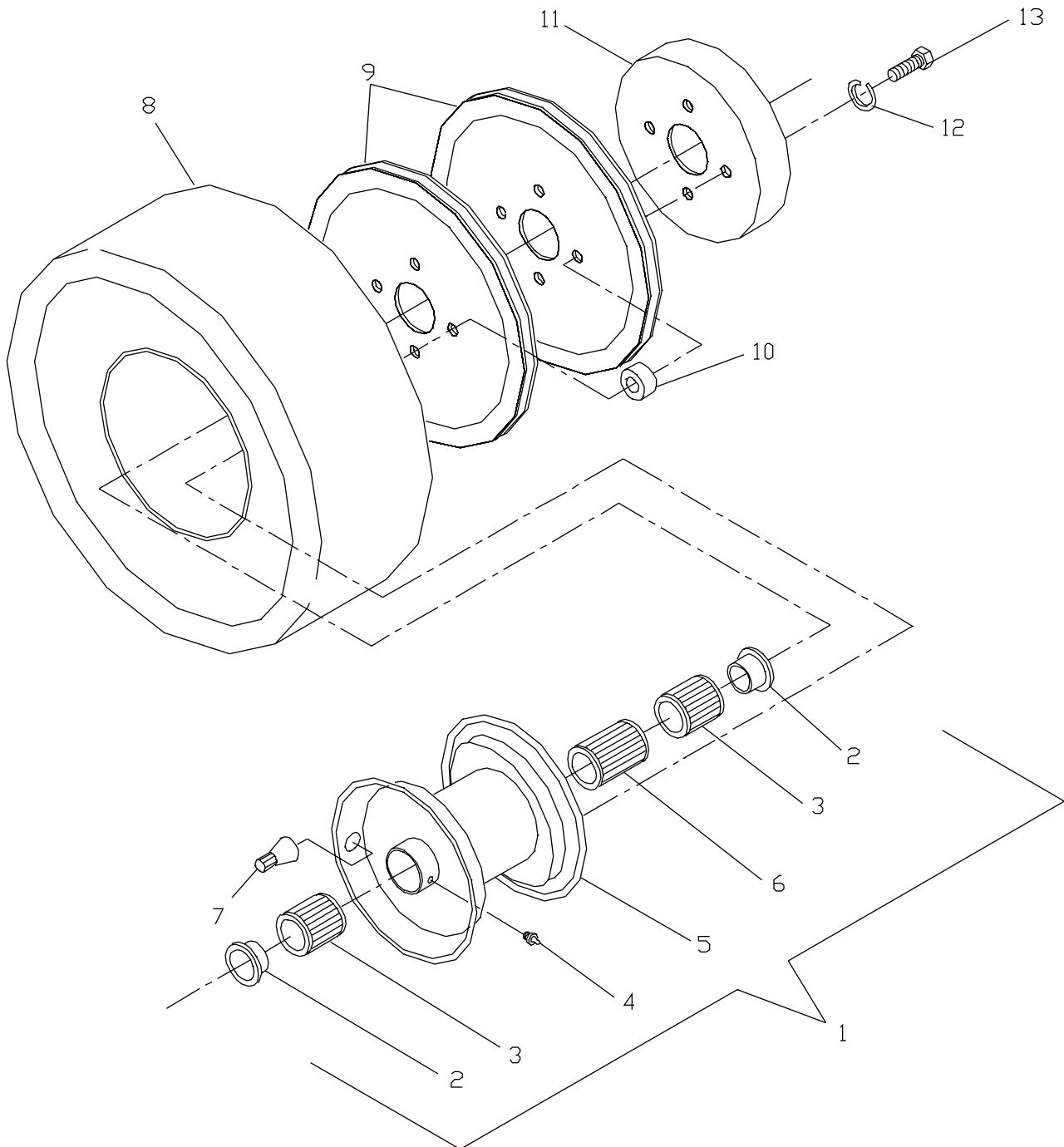
32" & 36" Models



Wheel Drive & Axle Assembly 32" & 36" Models

ITEM	PART NO.	QTY	DESCRIPTION	ITEM	PART NO.	QTY.	DESCRIPTION
1	539912730	2	1" E-RING	26	539976988	4	#2 HAIRPIN
2	539105630	1	FUEL TANK	27	539990145	2	HCS 5/16C X 5
3	539104962	1	GAS CAP	28	539104789	2	DECAL, CROWN
4	539912222	4	HOSE CLAMP	29	539101931	1	AXLE WLDMT(36)
5	539932956	1	10" GAS LINE		539102152	1	AXLE WLDMT(32)
6	539916325	1	FUEL VALVE	30	539101934	1	RT. BRAKE ARM
7	539104993	1	14" GAS LINE		539102135	1	LT. BRAKEARM
8	539102650	1	HOSE BARB	31	539101949	2	1/2" E-RING
9	539106498	1	REAR DECK W/DCLS	32	539976998	4	ZERK 1/4-28 STRHT
10	539104828	1	DECAL, W3213	33	539102049	2	CLEVIS PIN
	539104829	1	DECAL, W3613	34	539913847	2	BOLT RETAINER 3/8
11	539102188	2	PIVOT TUBE	35	539921960	2	SPACER
12	539976434	2	SWIVEL(SHORT)	36	539101945	2	BRAKE BAND
13	539990870	4	3/8" E-RING	37	539916561	4	MACH. BUSHING
14	539104757	2	WHEELASM.(36)	38	539102168	1	IDLER PLATE, RT
			(WITH BRAKE DRUM & PULLEYS)		539102169	1	IDLER PLATE, LT
	539104715	2	WHEELASM.(32)	39	539101969	2	FENDER
			(WITH BRAKE DRUM & PULLEYS)	40	539990585	2	HFLN 5/16C
15	539101992	2	LONG SPACER	41	539101350	2	3/8C X 3 TAPBOLT
16	539990692	12	5/16 FW STD	42	539102502	4	5/16 STUD
17	539976941	2	HCS 3/8C X 1 1/4	43	539102845	4	SPRING
18	539101977	2	SPRING	44	539990184	4	HLN 5/16C
19	539101955	2	IDLER PULLEY	45	539990613	2	HFLN 3/8C
20	539100276	2	5/16 WINGNUT	46	539990517	8	FW 3/8 STD
21	539100097	2	SPACER	47	539990546	12	HLN 3/8C CENTER P.
22	539101940	2	SWIVEL	48	539101881	1	DECAL, PROP. 65
23	539101939	2	BRAKE ROD	49	539990563	6	HCS 3/8C X 1
24	539101973	2	BELT GUIDE	50	539990118	2	SLW 3/8 STD
25	539102035	2	SCRAPER(36)	51	539990209	4	HCS 5/16C X 1
	539102155	2	SCRAPER(32)	52	539990187	4	SLW 5/16 STD

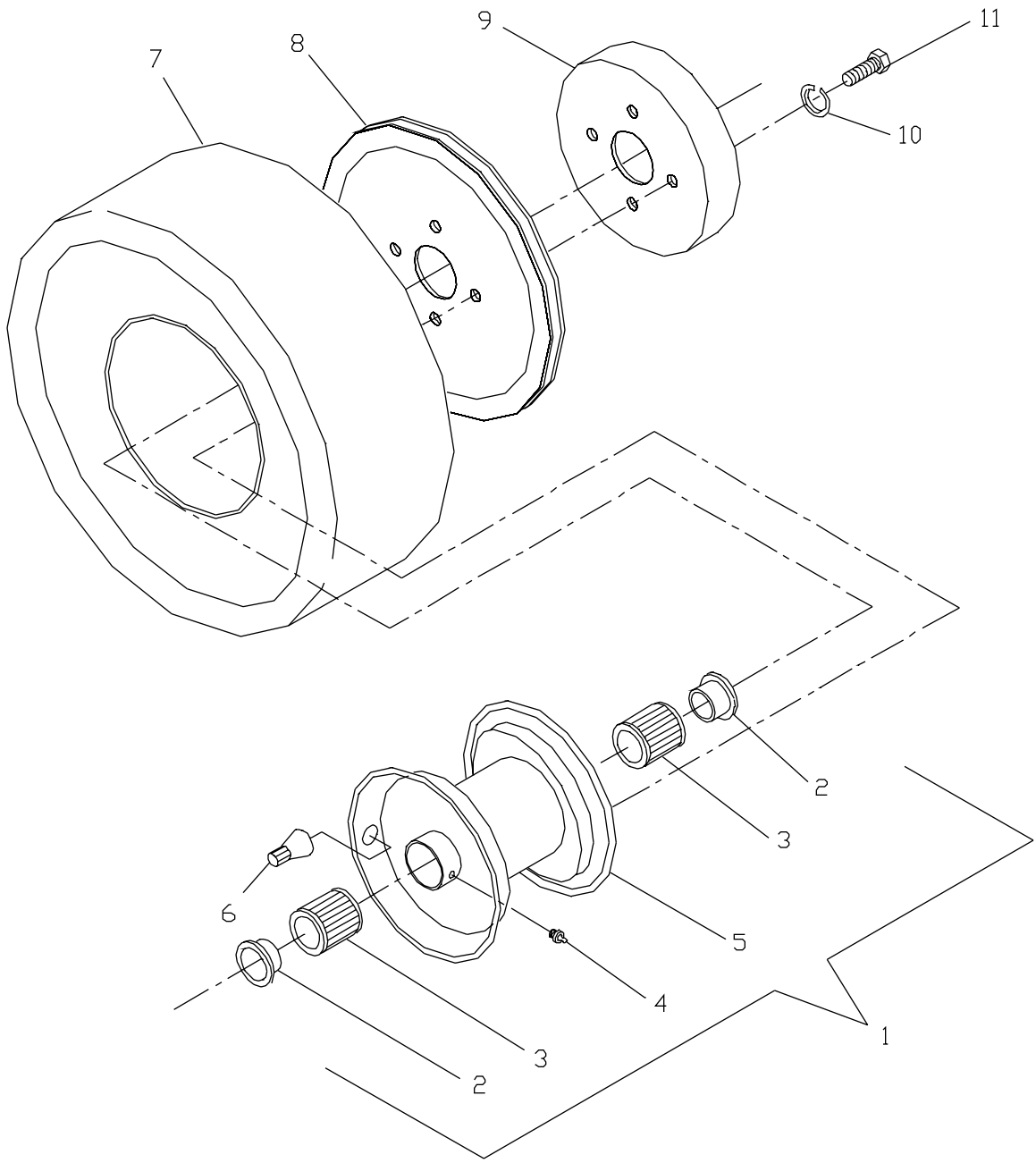
Traction Wheel Assembly 36" Model



Traction Wheel Assembly 36" Model

ITEM	PART NO.	QTY.	DESCRIPTION
1	539104758	1	WHEEL ASM. (INCLUDES ITEMS 2 THRU 8)
2	539100395	2	END CAP
3	539102161	2	ROLLER BEARING(SHORT)
4	539976998	1	ZERK 1/4-28 STRHT
5	539104759	1	RIM (INCLUDES ITEMS 4 & 7)
6	539100393	1	ROLLER BEARING(LONG)
7	539912234	1	AIR VALVE
8	539923788	1	TIRE
9	539938473	2	TRACTION PULLEY
10	539923515	4	SPACER
11	539101946	1	BRAKE DRUM
12	539990118	4	SLW 3/8 STD
13	539990164	4	HCS 3/8F X 1 1/2

Traction Wheel Assembly 32" Model



Traction Wheel Assembly 32" Model

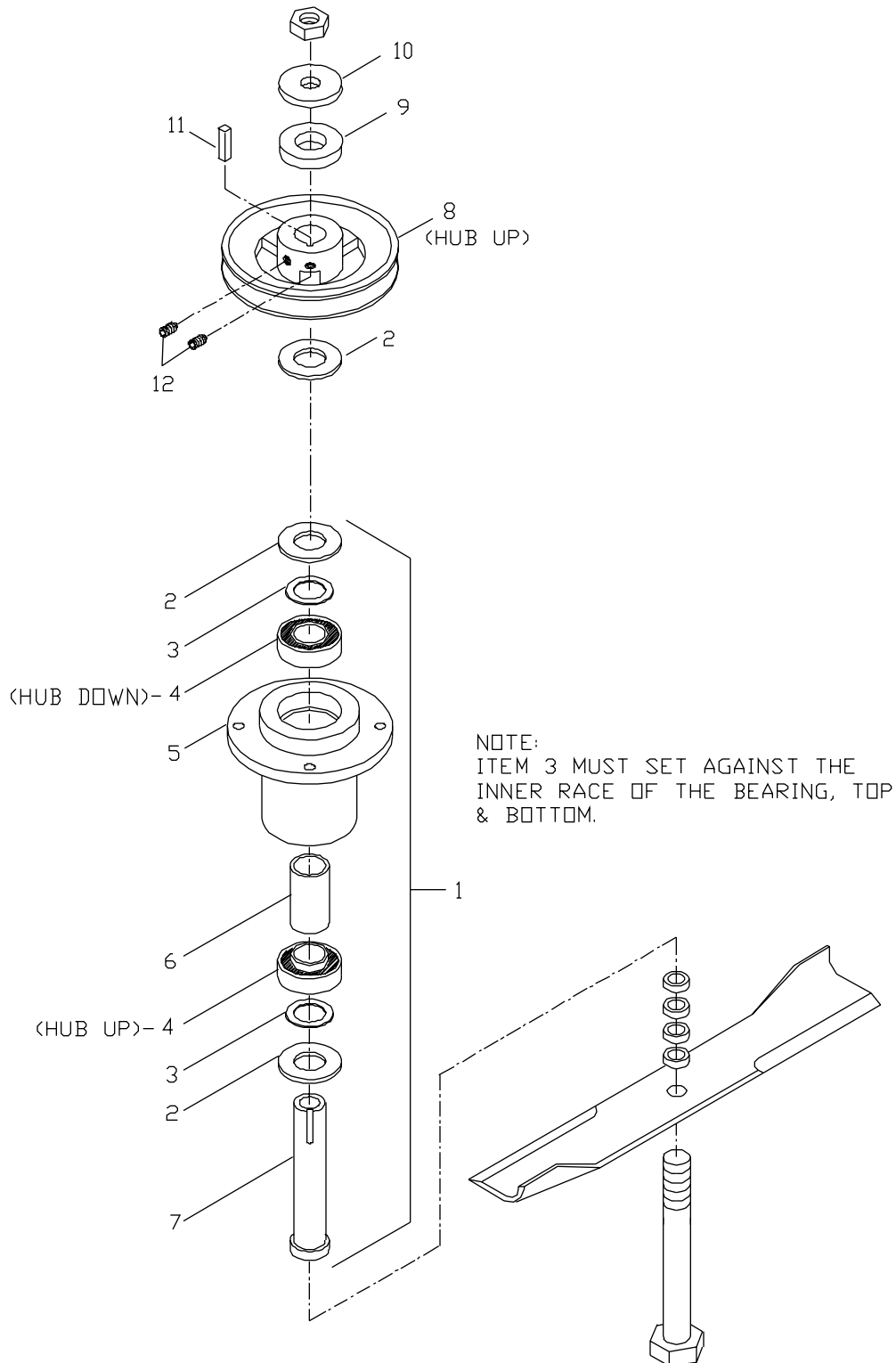
ITEM	PART NO.	QTY.	DESCRIPTION
1	539104714	1	WHEELASM. (INCLUDES ITEMS 2 THRU 7)
2	539100395	2	END CAP
3	539100393	2	ROLLER BEARING
4	539976998	1	ZERK 1/4-28 STRHT
5	539104716	1	RIM (INCLUDES ITEMS 4 & 6)
6	539912234	1	AIR VALVE
7	539977222	1	TIRE
8	539976522	1	TRACTION PULLEY
9	539101946	1	BRAKE DRUM
10	539990118	4	SLW 3/8 STD
11	539977748	4	HCS 3/8F X 3/4

32" & 36" Front Deck Assembly

ITEM	PART NO.	QTY.	DESCRIPTION	ITEM	PART NO.	QTY.	DESCRIPTION
1	539101959	1	36" DECK BELT	30	539101836	1	SLEEVE BUSHING
	539102148	1	32" DECK BELT	31	539101979	1	ENGAGEMENT ARM
2	539104561	1	36" BELT SHIELD	32	539990517	3	FW 3/8 STD
	539104650	1	32" BELT SHIELD	33	539990629	2	HCS 3/8C X 2 1/4
3	539104790	1	DECAL, HUSQVARNA	34	539102048	1	BLADE ROD 32 & 36
4	539102070	4	KNOB	35	539976988	1	#2 HAIRPIN
5	539102056	4	3/8 SEALING WASHER	36	539101982	1	RT. HAND EYEBOLT
6	539990546	4	HLN 3/8C	37	539990196	1	5/16C HEX NUT
7	539990613	3	3/8C WHIZ NUT	38	539101983	1	TURNBUCKLE
8	539102334	2	TAPBOLT 3/8C X 4 1/2	39	539101981	1	LT. HAND EYEBOLT
9	539976980	2	HN 5/8F	40	539101978	1	ARM WLDMT
10	539101995	2	KEY 1/4SQ. X 1 1/8	41	539990550	1	FW 1/2 STD
11	539976398	2	PULLEY W/SETSCRS	42	539101332	1	HCS 1/2C X 2 3/4
12	539102332	2	HCS 5/8F X 8 1/2	43	539101980	1	EYEBOLT PIVOT
13	539102243	2	SUPPORT WASHER	44	539976688	1	IDLER PULLEY
14	539100341	2	BLADE 18"(36)	45	539102656	1	SPACER
	539100340	2	BLADE 16 1/4"(32)	46	539990118	1	3/8 LOCK WASHER
15	539976436	8	BLADE SPACERS	47	539990637	1	HCS 3/8C X 2 1/2
16	539102245	2	SPACER	48	539101175	6	HCS 7/16C X 1 1/2
17	539102675	2	MACH. BSHG. 10GA.	49	539990247	6	7/16 LOCK WASHER
18	539102440	2	HOUSINGASM.	50	539990449	6	7/16C HEX NUT
19	539102320	2	TUBE CAP	51	539104546	1	DEFLECTOR CHUTE
20	539102236	1	PAD(NOT USED 32)	52	539101231	1	IDLER SPINDLE
23	539990184	16	HLN 5/16C	53	539101331	1	HLN 1/2C NYLOC
24	539990209	10	HCS 5/16C X 1	54	539913010	1	DECAL, CPSC
26	539990585	6	HFLN 5/16C	55	539104563	1	36" DECK W/DECALS
27	539990553	6	HCS 5/16C X 3		539104620	1	32" DECK W/DECALS
28	539100075	1	SNUBBER	56	539105746	1	DECAL, DANGER
29	539976956	4	5/16 NYLOC SETSCR.	57	539105071	1	DECAL, NASCAR

Cutter Housing Assembly

LEFT & RIGHT SPINDLE
32" & 36"



Cutter Housing Assembly

ITEM	PART NO.	QTY.	DESCRIPTION
1	539102440	1	CUTTER HOUSINGASM. (INCLUDES ITEMS 2 THRU 7)
2	539102675	3	MACH. BUSING 10GA.
3	539102244	2	MACH. BUSING 18GA.
4	539102677	2	BEARING
5	539102673	1	HOUSING
6	539102676	1	SPACER
7	539102674	1	SPINDLE
8	539976398	1	PULLEY
9	539102245	1	3/8" SPACER
10	539102243	1	1/4" SPACER
11	539101995	1	KEY 1/4 SQ. X 1 1/8"
12	539976956	2	5/16 NYLOC SETSCREW

SEE PAGES 12 THRU 15 FOR CORRECT BLADE BOLT, NUT, BLADE SPACERS, AND BLADE FOR YOUR MODEL.

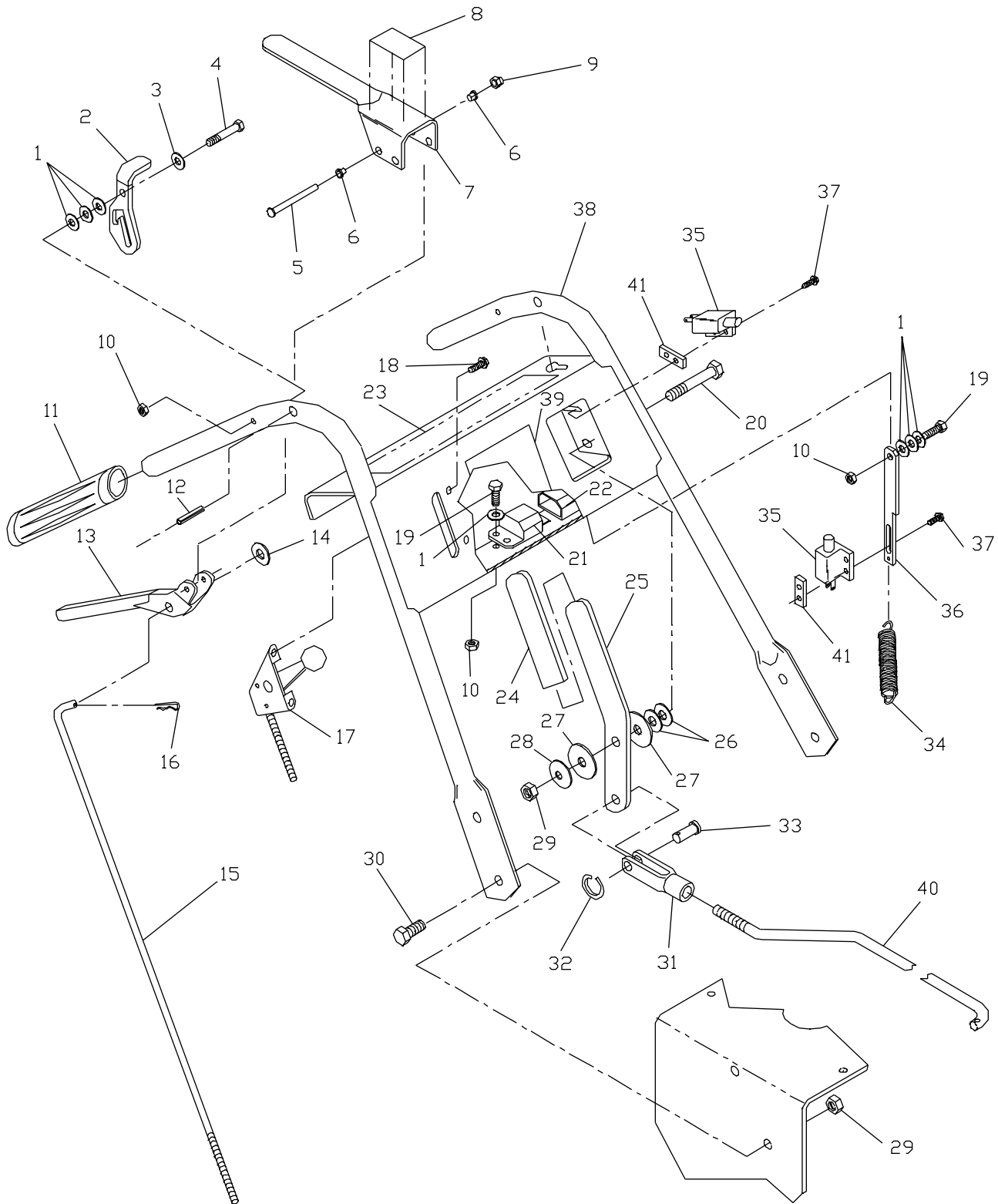
NOTE:

THIS HOUSING ASSEMBLY (ITEM 1) IS USED IN CONJUNCTION WITH DIFFERENT PULLEYS AND SPACERS. IT IS CRITICAL THAT YOU USE THE RIGHT SPACERS IN THE RIGHT LOCATION FOR THE DIFFERENT SPINDLE COMBINATIONS. (ALSO REFER TO THE OPERATOR'S MANUAL)

NOTE:

THIS HOUSING ASSEMBLY (ITEM 1) WILL NOT WORK IF THESE ITEMS ARE NOT IN THEIR PROPER LOCATION OR ORIENTATION.

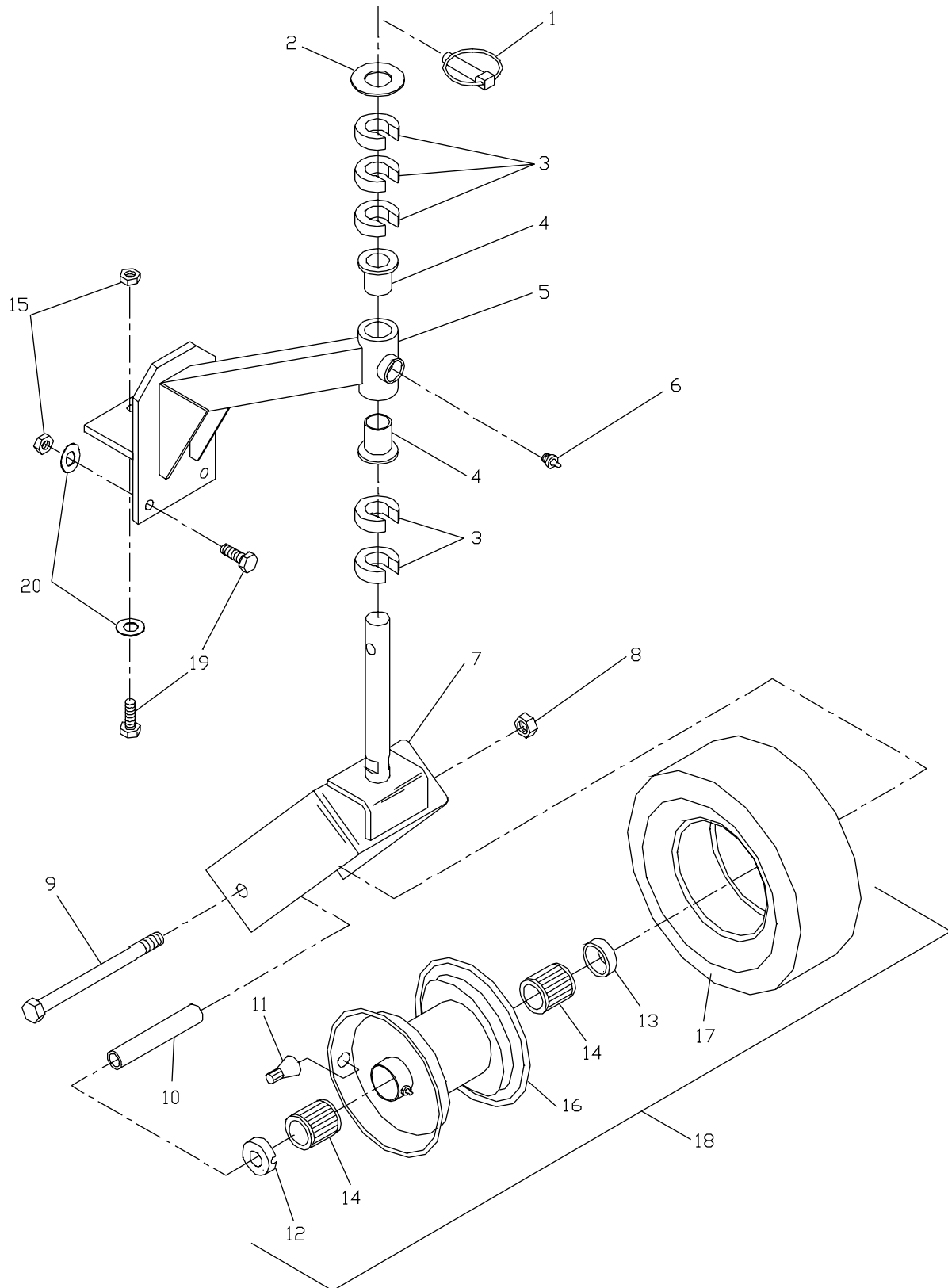
Upper Handle Assembly



Upper Handle Assembly

ITEM	PART NO.	QTY.	DESCRIPTION
1	539990055	13	1/4SAE FLAT WASHER
2	539976387	1	LATCH, LT. THUMB W/GRIP
	539976388	1	LATCH, RT. THUMB W/GRIP
3	539976983	2	WASHER, WAVE SPRING
4	539991003	2	HCS 1/4C X 1 3/4
5	539977884	2	PIN, CLEVIS
6	539977886	4	BUSHING
7	539977857	2	LEVER, O.P. W/GRIP
8	539100285	2	DECAL, THUMB LATCH
9	539914734	2	PUSH NUT
10	539990761	5	1/4C PREV. TORQUE NUT
11	539976488	2	GRIP HANDLE
12	539923313	2	ROLL PIN 5/16 X 1 1/8
13	539101791	2	LEVER, MOLDED DRIVE
14	539990692	2	5/16 FLAT WASHER
15	539101986	2	TRACTION ROD
16	539976988	2	COTTER, HAIRPIN #2
17	539101963	1	THROTTLE CONTROL W/BALL
18	539990302	2	HWST 1/4C X 3/8
19	539990580	3	HCS 1/4C X 3/4
20	539990655	1	HCS 3/8C X 1 1/2
21	539101781	1	MODULE
22	539101984	1	HANDLE HARNESS
23	539101935	1	DECAL, OPERATION
24	539976526	1	GRIP
25	539100082	1	LEVER
26	539990517	2	3/8 FLAT WASHER
27	539101219	2	FIBER WASHER
28	539912063	1	CONE WASHER
29	539990546	5	3/8C TORQUE NUT
30	539990563	4	HCS 3/8C X 1
31	539977465	1	YOKE
32	539916459	1	RETAINER, RING
33	539977703	1	CLEVIS PIN
34	539977250	2	SPRING
35	539919098	3	SWITCH
36	539101801	2	O.P. LINKAGE
37	539976952	6	SCREW 10-24 X 5/8
38	539102062	1	UPPER HANDLE W/DECALS
39	539101891	1	DECAL, OPERATION
40	539101972	1	BLADE ROD
41	539102678	3	TAPPED PLATE

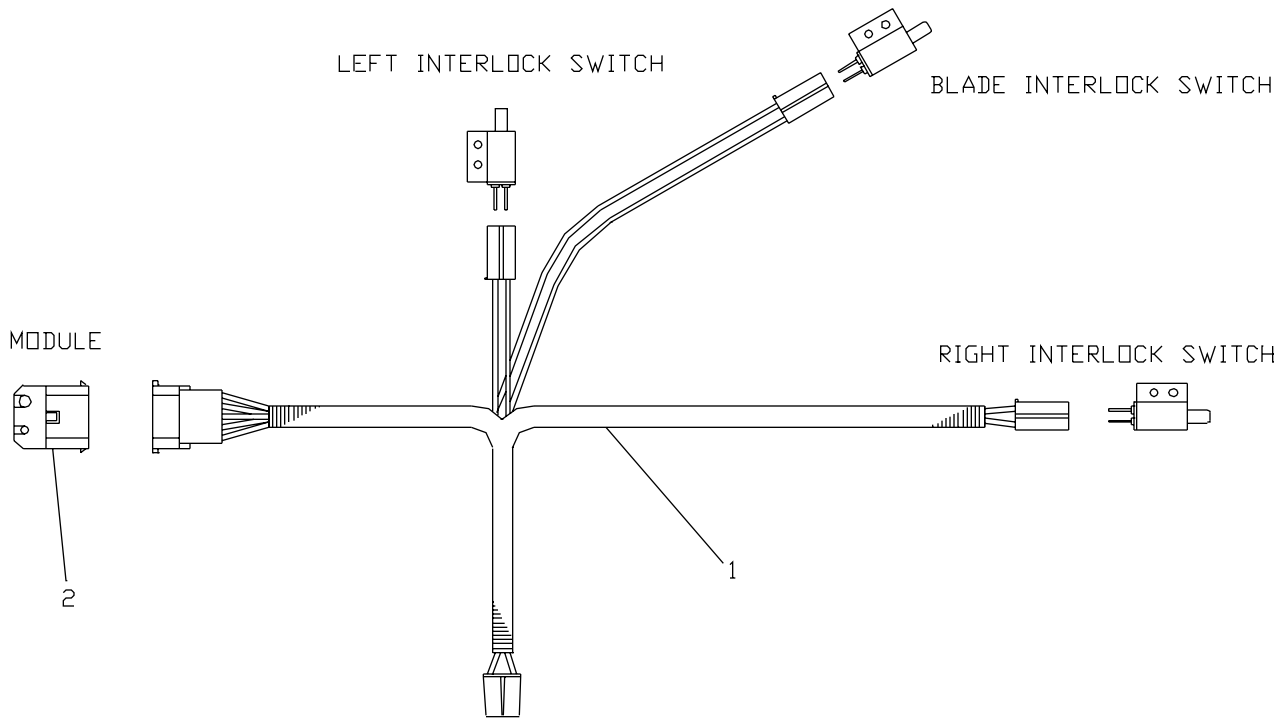
Front Caster Assembly



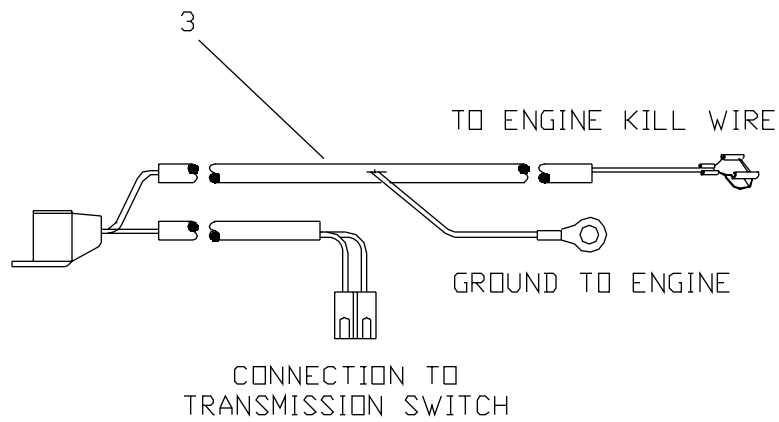
Front Caster Assembly

ITEM	PART NO.	QTY.	DESCRIPTION
1	539101874	1	7/16 LYNCH PIN
2	539916561	1	MACH. BUSHING
3	539101873	5	"C"-SPACER
4	539101232	2	FLANGE BUSHING
5	539104555	1	CASTER ARM W/BUSHING
6	539976997	1	ZERK 1/8 NPT
7	539104554	1	CASTER YOKE
8	539101331	1	1/2C NYLOC NUT
9	539101907	1	HCS 1/2C X 5 1/2
10	539101872	1	SPACER
11	539912234	1	AIR VALVE
12	539977356	1	NOTCHED ENDCAP
13	539923557	1	ENDCAP
14	539977353	2	ROLLER BEARING
15	539990546	3	HLN 3/8C
16	539104618	1	RIM
17	539101905	1	9" TIRE
18	539104556	1	TIRE & WHEEL ASS.
19	539990563	3	HCS 3/8C X 1
20	539990517	3	FW 3/8 STD
21	539104559	1	FRONT WHEEL CASTER ASM. KIT (INCLUDES ITEMS 1 THRU 20)

Wiring Harness



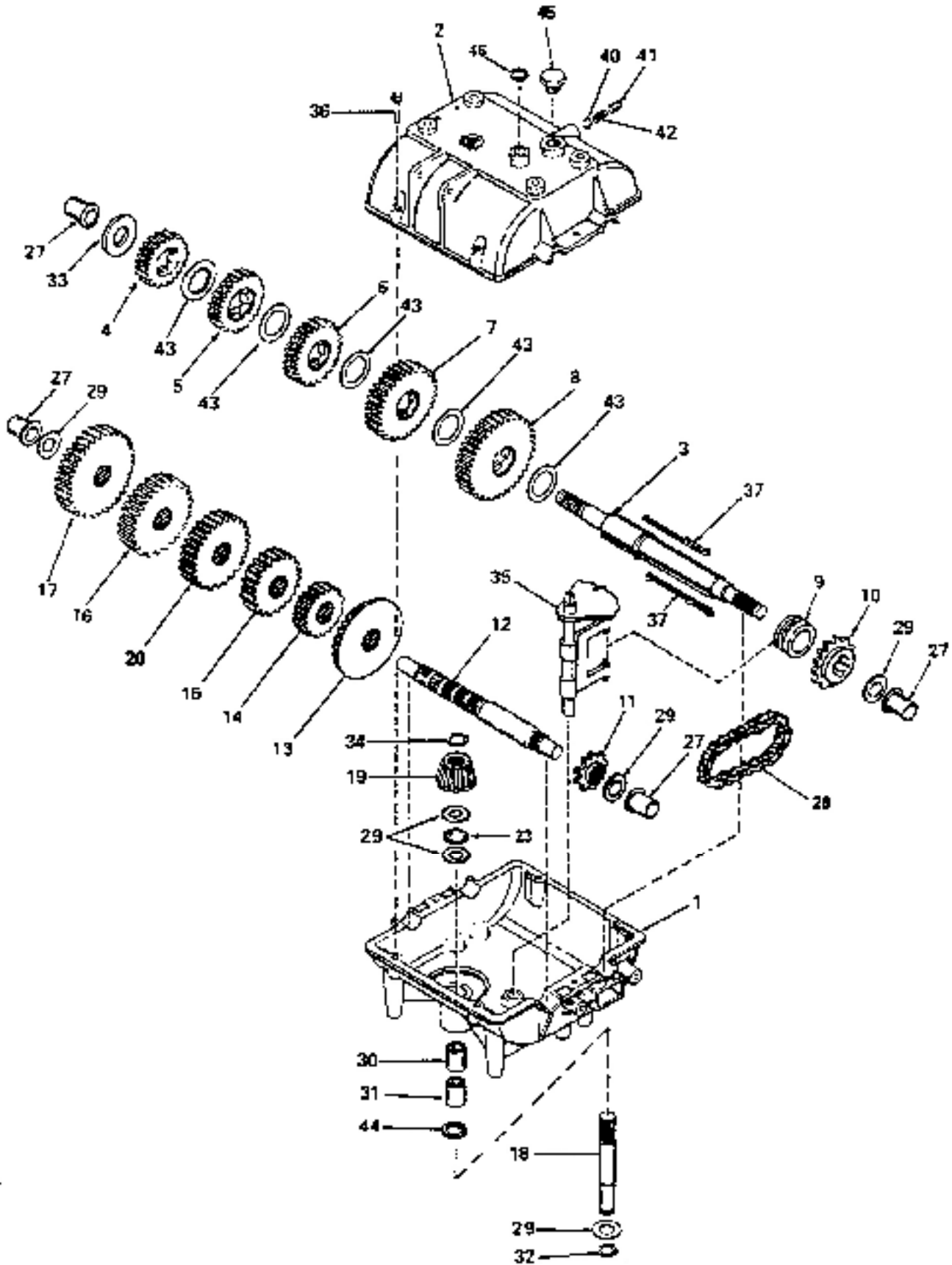
GROUND HARNESS KOHLER



Wiring Harness

ITEM	PART NO.	QTY.	DESCRIPTION
1	539101984	1	HANDLE HARNESS
2	539101781	1	MODULE
3	539104991	1	GROUND HARNESS

Transmission Assembly



Transmission Assembly

ITEM	PART NO.	QTY.	DESCRIPTION
1	539102075	1	TRANSMISSION CASE
2	539100371	1	TRANSMISSION COVER
3	539102179	1	OUTPUT & BRAKE SHAFT
4	539102077	1	SPUR GEAR (27 TEETH)
5	539100377	1	SPUR GEAR (30 TEETH)
6	539102078	1	SPUR GEAR (32 TEETH)
7	539100376	1	SPUR GEAR (35 TEETH)
8	539102079	1	SPUR GEAR (37 TEETH)
9	539977561	1	SHIFT COLLAR
10	539977562	1	SPROCKET (18 TEETH)
11	539977563	1	SPROCKET (9 TEETH)
12	539977564	1	COUNTERSHAFT
13	539977565	1	BEVEL GEAR (42 TEETH)
14	539102080	1	SPUR GEAR (12 TEETH)
15	539102081	1	SPUR GEAR (15 TEETH)
16	539100382	1	SPUR GEAR (20 TEETH)
17	539102082	1	SPUR GEAR (23 TEETH)
18	539977571	1	INPUT SHAFT
19	539100372	1	INPUT BEVEL PINION
20	539102083	1	SPUR GEAR (18 TEETH)
23	539100374	1	THRUST BEARING
27	539977573	4	FLANGED BUSHING
28	539977574	1	ROLLER CHAIN (NO.41 CHAIN, 24 LINKS)
29	539977575	6	THRUST WASHER
30	539977592	1	NEEDLE BEARING
31	539977576	1	NEEDLE BEARING
32	539977577	1	RETAINING RING
33	539102084	1	THRUST WASHER
34	539977579	1	RETAINING RING
35	539102180	1	SHIFT ROD & FORK
36	539977581	6	SCREW, FLANGED HEX HD. THREADFORMING 1/4-20 X 1-1/4"
37	977582	4	KEY
40	977583	1	STEEL BALL, 5/16"
41	977584	1	SET SCREW, 3/8-16 X 3/8"
42	977585	1	SPRING
43	977586	5	THRUST WASHER
44	977587	1	"O" RING
45	100148	1	THREADED PLUG
46	100388	1	SQUARE CUT SEAL
47	102162	1	COMPLETE TRANSMISSION

For Husqvarna Parts Call 606-678-9623 or 606-561-4983



www.mymowerparts.com