

EN ACCESSORIES
F ACCESSOIRES
NL TOEBEHOREN
D ZUBEHÖR
I ACCESSORI
E ACCESORIOS
P ACESSÓRIOS

- | | |
|---|---|
| <p> EN Holding tool 00063 F Outil de maintien NL Blokkeerpen D Haltewerkzeug I Attrezzo di bloccaggio E Herramienta sujetadora P Acessório de suporte </p> | <p> EN Ignition Test Spark Plug JA-31316-4 F Testeur d'allumage NL Bougie voor ontstekingscontrole D Testzündkerze für Zündprüfung I Candela di collaudo E Bujía para probar el encendido P Vela de ensaio da ignição </p> |
| <p> EN Grease, Multi-Purpose 18453 F Graisse universelle NL Universeel vet D Mehrzweck-Schmiermittel I Grasso, multiuso E Grasa universal P Lubrificante, para fins múltiplos </p> | <p> EN Rubber Tubing (10 ft) (3,05 m) 94772-99 F Tubes en caoutchouc (3,05 m) NL Rubber slang (3,05 m) D Gummirohr (3,05 m) I Dotto di gomma (3,05 m) E Tubo de caucho (3,05 m) P Tubo de borracha (3,05 m) </p> |
| <p> EN Carburetor Repair Tool 17789 F Outil de réparation de carburateur NL Reparatiegereedschap voor carburateur D Vergaser-Reparaturwerkzeug I Attrezzo di riparazione del carburatore E Herramienta de reparación del carburador P Ferramenta de reparação do carburador </p> | <p> EN Starter Rope (250 ft Reel) (76 m) 98052-A F Cordon de lanceur (bobine de 76 m) NL Startkoord (spoel met 76 m) D Starterseil (76 m Spule) I Corda d'avviamento (bobina da 76 m) E Cuerda de arranque (carrete de 76 m) P Cabo do arrancador (rolo de 75 m) </p> |
| <p> EN Thread Locking Compound 23488-C F Produit de blocage de filetage NL Borgmiddel voor schroefdraden D Gewinde-Sicherungsmasse I Composto di bloccaggio della filettatura E Pasta selladora de roscas P Composto de retenção de roscas </p> | <p> EN Torx Drive Bit T25 24982-01 F Foret torx NL Torx-drijfbit D Torx-Antriebsbit I Punta Torx Drive E Broca de empuje Torx P Broca accionadora Torx </p> |
| <p> EN Shim (.125") (3,17 mm) 24306 F Cale (3,17 mm) NL Afstandsbus (3,17 mm) D Distanzscheibe (3,17 mm) I Spessore (3,17 mm) E Suplemento (3,17 mm) P Calço (3,17 mm) </p> | <p> EN Torx Bit (for clutch drum) T25 24982-03 F Foret torx (pour tambour d'embrayage) NL Torx drijfbit (voor koppelingstrommel) D Torx-Antriebsbit (für Kupplungstrommel) I Punta Torx Drive (per il tamburo della frizione) E Broca de empuje Torx (tambor del embrague) P Broca Torx (para o tambor da embraiagem) </p> |
| <p> * EN Grass Anti Wrap Kit A-04191 F Nécessaire anti-enroulement d'herbe NL Apparaatje om te voorkomen dat gras zich rond de aandrijfjas wikkelt D Grasrückhalter I Kit antiavvolgimento d'erba E Dispositivo contra la acumulación de pasto P Dispositivo contra a acumulação de relva </p> | |

*ST-145, ST-155, ST-175, ST-175C, ST-175BC, HGT, GST.

ST485 String Trimmer UT-15047-A
Accessories

Page 2 of 7

| Ref # | Part Number | Qty | S/P/F | Description |
|----------|-------------|-----|-------|--|
| 00063 | 00063 | 1 | S/P | Holding tool |
| 18453 | 18453 | 1 | /P | Grease, Multi-Purpose |
| 17789 | 17789 | 1 | S | Carburetor Repair Tool |
| 23488C | 23488C | 1 | | Thread Locking Compound |
| 24306 | 24306 | 1 | S | Shim (.125") (3.17 mm) |
| A-04191 | A04191 | 1 | | Grass Anti Wrap Kit ST-145, ST-155, ST-175, ST-175C, ST-175BC, HGT, GST |
| JA313164 | JA313164 | 1 | | Ignition Test Spark Plug |
| 9477299 | 9477299 | 1 | /P | Rubber Tubing (10 ft.) (3.05 m) |
| 98052-A | 98052A | 1 | /P | Starter Rope (250 ft. Reel) (76 m) |
| 2498201 | 2498201 | 1 | | Torx Drive Bit T25 |
| 24982-03 | 2498203 | 1 | S | Torx Bit (for clutch drum) T25 |

GB CARBURETOR
F CARBURATEUR
NL CARBURATEUR
D VERGASER
I CARBURATORE
E CARBURADOR
P CARBURADOR

GB ZAMA A-03003

GB Repair Kit A-03979

F Jeu de réparation

NL Reparatieset

D Reparatursatz

I Kit per riparazioni

E Juego de reparación

P Jogo de reparação

GB Gasket/Diaphragm Kit A-03980

F Jeu joint/diaphragme

NL Pakking/membraan set

D Dichtung/Membrane-Satz

I Kit diaframma/guarnizione

E Conjunto junta/diafragma

P Jogo de juntas vedantes/diafragmas

GB Primer Bulb A-01195-A

F Bouton d'amorçage

NL Voorinspuitpomp

D Vorpumpe

I Cicchetto

E Bulbo cebador

P Bolha da unidade de escorvagem

GB Primer Base* (Aluminium) A-01194

Primer Base* (Plastic) A-03062

F Base d'amorçage* (aluminium)
Base d'amorçage* (plastique)

NL Voorinspuit-sokkel* (aluminium)
Voorinspuit-sokkel* (plastic)

D Vorpumpen-Sockel* (Aluminium)
Vorpumpen-Sockel* (Plastik)

I Base del cicchetto* (alluminio)
Base del cicchetto* (plastica)

E Base de cebador* (aluminio)
Base de cebador* (plástico)

P Base da unidade de escorvagem* (Alumínio)
Base da unidade de escorvagem* (Plástico)

GB *Primer Base kits are not interchangeable.

F *Les jeux de base d'amorçage ne sont pas interchangeables.

NL *Sokkel-sets voor voorinspuiten zijn niet verwisselbaar.

D *Sockelsätze für die Vorpumpe sind nicht austauschbar.

I *I kit della base del cicchetto non sono intercambiabili.

E *Los juegos de base de cebador no son intercambiables.

P *Os jogos de base da unidade de escorvagem não são intercambiáveis.

GB Swivel Kit A-00289

F Jeu de pivots

NL Zwenkset

D Drehzapfen-Satz

I Serie di ingranaggi girevoli

E Juego de enganche giratorio

P Jogo da rótula

GB WALBRO A-03002

GB Repair Kit A-02665

F Jeu de réparation

NL Reparatieset

D Reparatur-Satz

I Kit di riparazione

E Juego de reparación

P Jogo de reparação

GB Gasket/Diaphragm Kit A-00285-A

F Jeu joint/diaphragme

NL Pakking/membraan set

D Dichtung/Membrane-Satz

I Kit diaframma/guarnizione

E Conjunto junta/diafragma

P Jogo de juntas vedantes/diafragmas

GB Swivel Kit A-00289

F Jeu de pivots

NL Zwenkset

D Drehzapfen-Satz

I Serie di ingranaggi girevoli

E Juego de enganche giratorio

P Jogo da rótula

GB Primer Bulb 01201

F Bouton d'amorçage

NL Voorinspuitpomp

D Vorpumpe

I Cicchetto

E Bulbo cebador

P Bolha da unidade de escorvagem

GB Primer Base* A-01200-A

F Base d'amorçage*

NL Voorinspuit-sokkel*

D Vorpumpen-Sockel*

I Base del cicchetto*

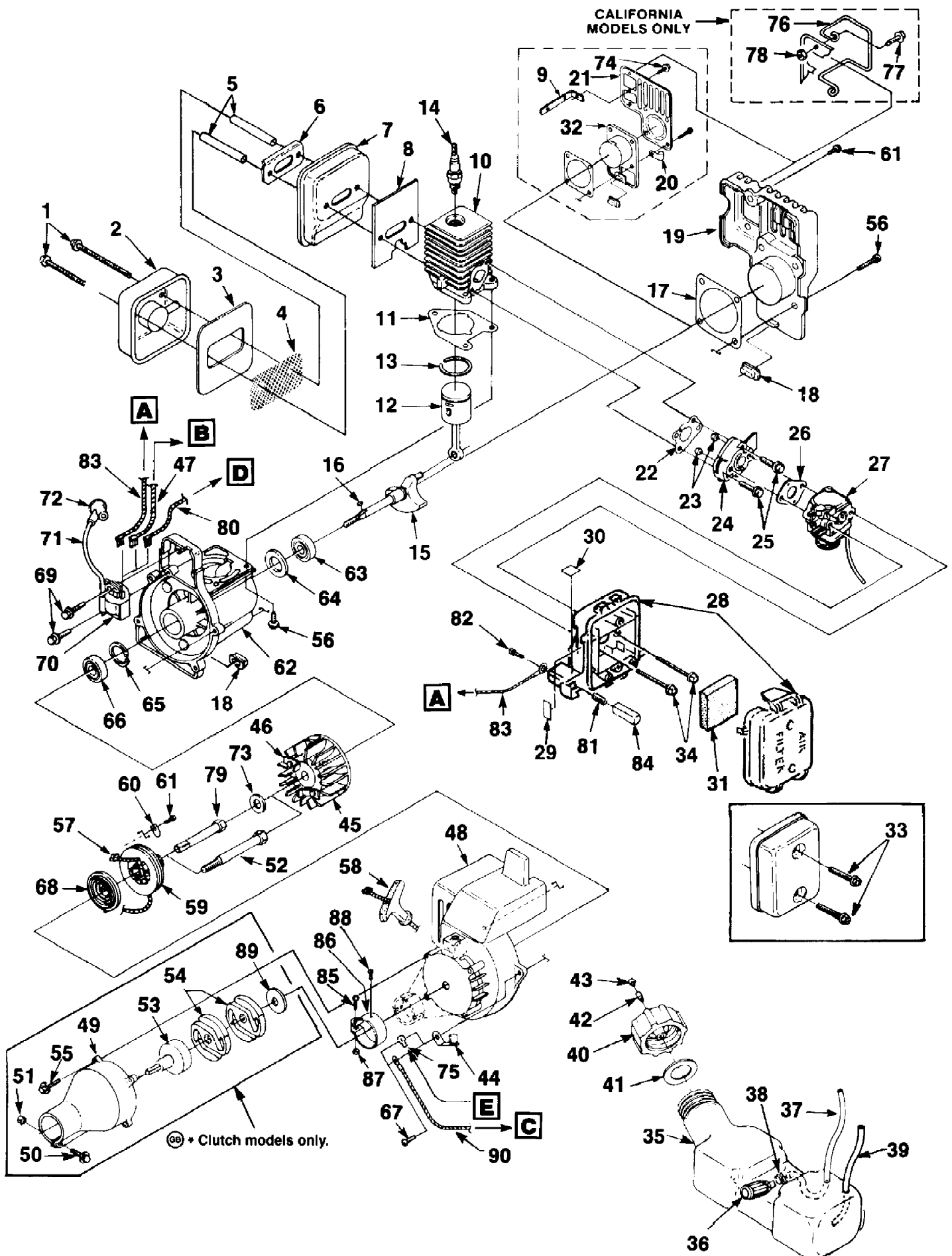
E Base de cebador*

P Base da unidade de escorvagem*

ST485 String Trimmer UT-15047-A
Carburetor

Page 4 of 7

| Ref # | Part Number | Qty | S/P/F | Description |
|-----------|-------------|-----|-------|--|
| A-03003 | A03003 | 1 | | ZAMA |
| A-03979 | A03979 | 1 | | Repair Kit |
| A-03980 | A03980 | 1 | | Gasket/Diaphragm Kit |
| A-01195-A | A01195A | 1 | S | Primer Bulb |
| A-01194 | A01194 | 1 | | Primer Base (Aluminum) Primer Base kits are not interchangeable. |
| A-03062 | A03062 | 1 | | Primer Base (Plastic) Primer Base kits are not interchangeable. |
| A-00289 | A00289 | 1 | | Swivel Kit |
| A-03002 | A03002 | 1 | | WALBRO |
| A-02665 | A02665 | 1 | | Repair Kit |
| A00285A | A00285A | 1 | | Gasket/Diaphragm Kit |
| A-00289 | A00289 | 1 | | Swivel Kit |
| 01201 | 01201 | 1 | S | Primer Bulb |
| A-01200-A | A01200A | 1 | | Primer Base |



| Ref # | Part Number | Qty | S/P/F | Description |
|-------|-------------|-----|-------|---|
| 1 | 88060 | 2 | S/P | SCREW- (10-24 x 2 1/2") |
| 2 | A98780 | 1 | S | COVER- Muffler |
| 3 | 98782 | 1 | S | BAFFLE- Muffler |
| 4 | 98784A | 1 | | SCREEN- Spark |
| 5 | 98860A | 2 | S | SPACER- Muffler |
| 6 | 98783 | 1 | /P | PLATE- Reinforcing |
| 7 | A01323 | 1 | S | BODY- Muffler |
| 8 | 98786B | 1 | | GASKET- Muffler |
| 9 | 00179 | 1 | F | BRACKET- |
| 10 | A00108 | 1 | | CYLINDER |
| 11 | 03703A | 1 | S | CYLINDER- Gasket |
| 12 | A01036A | 1 | /P | PISTON & ROD ASSEMBLY |
| 13 | 96935 | 1 | S | RING- Piston |
| 14 | 96169S | 1 | S | SPARK PLUG (DJ7Y) |
| | 79252 | 1 | S | SPARK PLUG (RDJ7Y) (Int'l) |
| 15 | 987582 | 1 | | CRANKSHAFT (Model 145 & 155) |
| | 987583 | 1 | | CRANKSHAFT (Models 175,175C,175BC,185,185C,285,275,285BC,385) |
| 16 | 69250 | 1 | /P | KEY- Woodruff |
| 17 | 98767A | 1 | /P | GASKET- Crankcase cover |
| 18 | 98792 | 3 | /P | BUMPER- Rubber |
| 19 | 01023B | 1 | S | COVER- Crankcase |
| 20 | 98752 | 1 | F | CLAMP |
| 21 | 98934 | 1 | F | SHIELD |
| 22 | 98765B | 1 | /P | GASKET- Heat dam |
| 23 | 81208 | 2 | /P | NUT (10-24) |
| 24 | 98768 | 1 | S | HEAT DAM |
| 25 | 825491 | 2 | S | SCREW- Taptite (10-24 x 1") |
| 26 | 98766A | 1 | S/P | GASKET- Carburetor |
| 27 | A03003 | 1 | | CARBURETOR- (Zama) |
| | A03002 | 1 | | CARBURETOR- (Walbro) |
| 28 | A01440A | 1 | S | AIR FILTER BOX |
| 29 | 00772 | 1 | | DECAL- Choke, Run |
| 30 | 98943 | 1 | | DECAL- Push-Hold |
| 31 | D98760A | 1 | | FILTER- Air |
| 32 | 98754B | 1 | /P/F | COVER- Crankcase |
| 33 | 82368 | 2 | S/F | SCREW- Plastite (8 x 3/4") |
| 34 | 82542 | 2 | /P | SCREW (10-24 x 2 1/4") |
| 35 | A01441 | 1 | | TANK- Fuel |
| 36 | 49422 | 1 | S | FILTER- Fuel |
| 37 | 9477232 | 1 | S | TUBING- Rubber (8") |
| 38 | 98268 | 1 | S/P | WIRE CLAMP |
| 39 | 0143932 | 1 | S/P | TUBING- Rubber (8") |
| 40 | A00982A | 1 | | FUEL CAP ASSEMBLY |
| 41 | 98805A | 1 | /P | GASKET- Fuel cap |
| 42 | 03134 | 1 | S/P | VALVE- Duckbill |
| 43 | 98913 | 1 | S | FILTER-Cap |
| 44 | A98808 | 1 | | BRACKET-Cable |
| 45 | A95007 | 1 | S | ROTOR |
| 46 | A70285E | 1 | /P | KIT- Starter pawl |
| 47 | A98918 | 1 | | LEAD- Electrical (Models 175BC,185,185C,285BC,385-UT-15040&UT10) |

| Ref # | Part Number | Qty | S/P/F | Description |
|-------|-------------|-----|-------|---|
| 48 | A02576B | 1 | | HOUSING- Engine (Clutch Models Only) |
| | A02575 | 1 | | HOUSING- Engine (Non-Clutch Models) |
| 49 | A02396A | 1 | /P | TUBE ADAPTOR |
| 50 | 88054 | 1 | S | SCREW (10-24 x 1 1/4") |
| 51 | 81208 | 1 | /P | NUT(10-24) |
| 52 | 01547 | 1 | | ADAPTOR- Clutch (Clutch Models Only) |
| 53 | A02727 | 1 | S | CONNECTOR & DRUM |
| 54 | 00242 | 2 | /P | CLUTCH |
| 55 | 88052 | 4 | /P | SCREW (10-24 x 7/8") |
| 56 | 82538 | 3 | /P | SCREW (10-24 x 3/4") |
| 57 | 9789902 | 1 | S/P | ROPE- Starter (42") |
| 58 | 02264 | 1 | S | GRIP- Starter |
| 59 | 98770 | 1 | | PULLEY- Starter |
| 60 | 98791 | 1 | /P | BRACKET- Retaining |
| 61 | 82541 | 2 | /P | SCREW- Plastite (10 x 1/2") |
| 62 | A00107A | 1 | | CRANKCASE ASSEMBLY |
| 63 | 98797 | 1 | /P | BEARING- Ball |
| 64 | 98800 | 1 | /P | SEAL |
| 65 | 98799 | 1 | /P | RING- Retaining |
| 66 | 98798 | 1 | S | BALL- Bearing |
| 67 | 82538 | 5 | /P | SCREW- Taptite (10-24 x 3/4") |
| 68 | A98773 | 1 | | SPRING & CONTAINER |
| 69 | 82540 | 2 | /P | SCREW- Taptite (8-32 x 1") |
| 70 | 94711CS | 1 | /P | MODULE- Ignition |
| 71 | 69326 | 1 | | LEAD- High-Tension |
| 72 | A33055 | 1 | /P | TERMINAL- High-Tension |
| 73 | 84065 | 1 | S | WASHER- Flat (5/16") (Non-Clutch Models) |
| 74 | 88077 | 1 | S/F | SCREW- Hex sems (10-24 x 3/8") |
| 75 | 02851 | 1 | /P | TERMINAL (Models 385--UT15040B, UT15040C, & UT15040D) (Model 485) |
| 76 | A00254 | 1 | S | WIRE GUARD KIT (California Models Only) |
| 77 | 88049 | 2 | /P | SCREW- Hex sems (10-24 x 1/2") |
| 78 | 81208 | 2 | /P | NUT- (10-24) |
| 79 | 98795A | 1 | /P | CONNECTOR- Drive (Non Clutch Models) |
| 80 | A00681 | 1 | | LEAD- Electrical (Model 385--UT15040B, UT15040C, UT15040D & Model 485) |
| 81 | 95020 | 1 | S | SPRING- Compression |
| 82 | 82513 | 1 | /P | SCREW- Thread Forming |
| 83 | A98809 | 1 | S | LEAD- Electrical (Models 145, 155, 175, 175C, 285, HGT & GST) |
| 84 | 98769 | 1 | /P | BUTTON- Switch |
| 85 | 82268 | 1 | | SCREW- Hex sems (10-24 x 3/8") |
| 86 | 98802A | 1 | S | CLAMP |
| 87 | 97574 | 1 | | NUT- Square |
| 88 | 82455 | 1 | | SCREW |
| 89 | 98929A | 1 | S/P | WASHER- Clutch |
| 90 | A98919 | 1 | | LEAD- Ground (Models 185 & 385--UT15040 & UT15040A) |