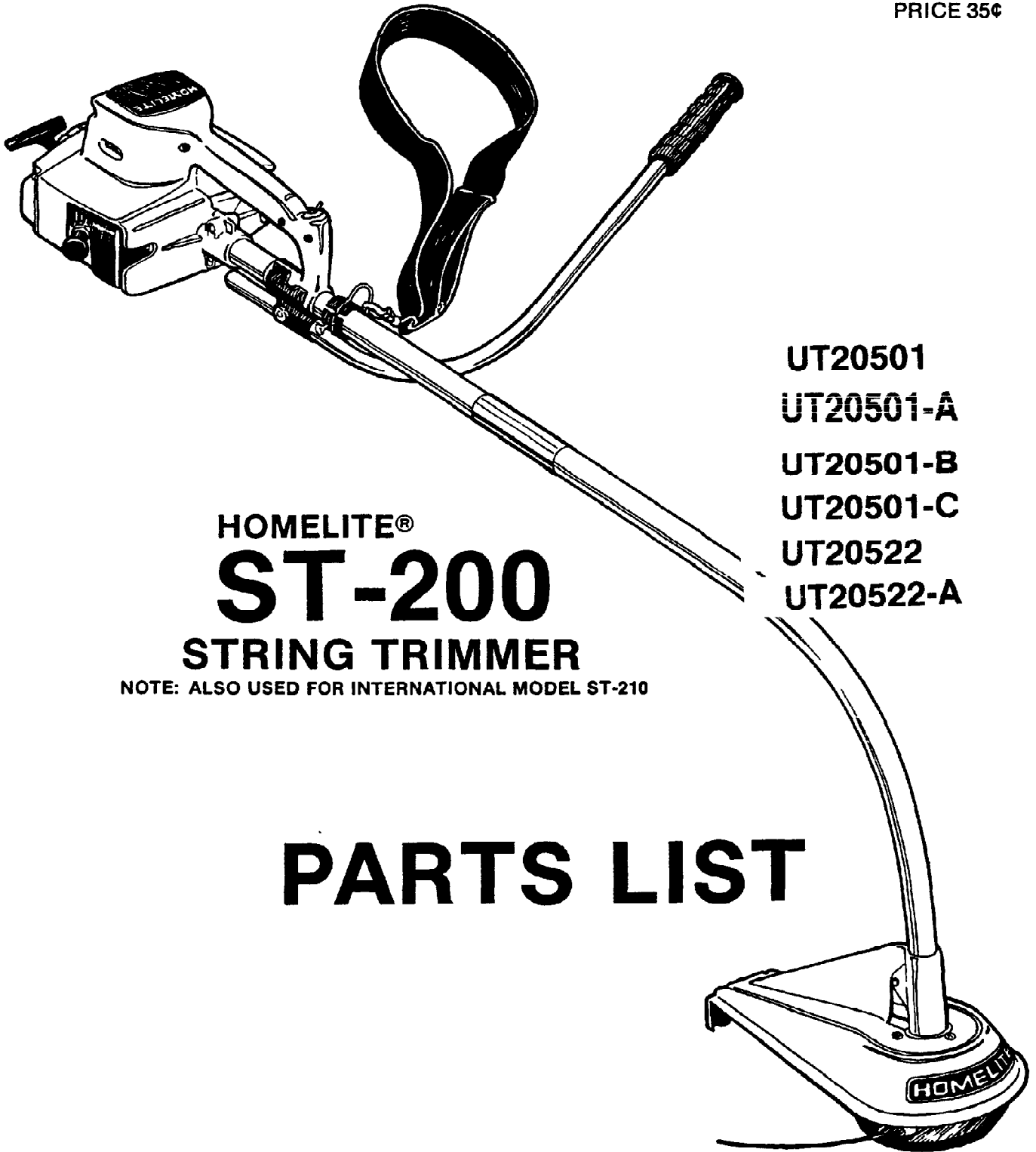


**PART NO. 17435-A**  
**PRINTED IN U.S.A.**  
**PRICE 35¢**



**HOMELITE®**  
**ST-200**  
**STRING TRIMMER**

NOTE: ALSO USED FOR INTERNATIONAL MODEL ST-210

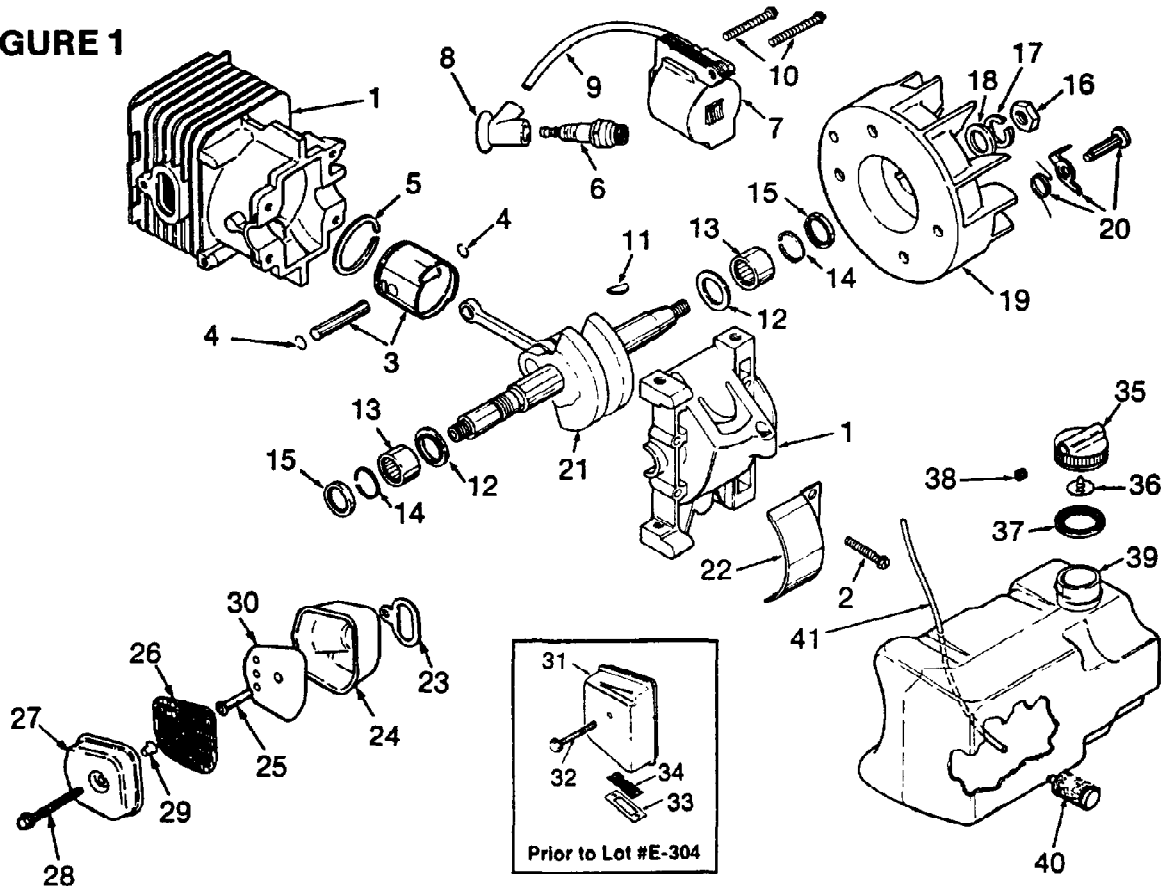
- UT20501**
- UT20501-A**
- UT20501-B**
- UT20501-C**
- UT20522**
- UT20522-A**

# PARTS LIST

**HOMELITE **TEXTRON****  
Homelite Division of Textron Inc.

**ST-200  
STRING TRIMMER**

**FIGURE 1**



NO.	DESCRIPTION	PART NO.	QTY.	NO.	DESCRIPTION	PART NO.	QTY.
1	CYLINDER & CRANKCASE Includes:	A-97517-1	1	23	GASKET- Muffler MUFFLER Assembly (Complete) (After Lot #E-304)	93801	1
2	SCREW	88044	4			A-97621	1
3	PISTON & PIN ASSEMBLY Includes:	A-70224-A	1	24	BODY- Muffler	93986	1
4	RING- Piston retaining	65261	2	25	SPACER- Muffler	93990	1
5	PISTON RING (Primary source)	70205	1	26	SCREEN- Spark	93991	1
	PISTON RING (Alternate source)	93165	1	27	CAP- Muffler	97634	1
6	PLUG- Spark	68616-S	1	28	SCREW	93460	1
7	MODULE- Ignition Includes:	94711	1	29	SPACER- Muffler	93989	1
8	TERMINAL- Hi-tension	A-33055	1	30	BAFFLE- Muffler	48161	1
9	LEAD- High tension	69326	1	31	MUFFLER- (Prior to Lot #E-304)	A-94419-1	1
10	SCREW- Hex 8-32 x 3/4	82248	2	32	SCREW- 10-24 x 1 3/4 hex sems (Prior to Lot #E-304)	88056	1
11	KEY- Woodruff	69250	1	33	SPARK ARRESTOR (Prior to Lot #E-304)	A-94478	1
12	WASHER- Thrust	95492	2				
13	NEEDLE- Bearing	12530	2				
14	SPACER- Seal	68514	2	34	Includes: SCREEN- Spark (Prior to Lot #E-304)	94484	1
15	SEAL	94638	2				
16	NUT- Rotor	81117	1				
17	WASHER- Lock	83002	1	35	SCREW (Purchased locally) CAP- Fuel	A-94495	1
18	WASHER	84065	1				
19	ROTOR & STARTER PAWL Includes:	A-95007	1	36	VALVE- Check	94531-1	1
20	STARTER PAWL KIT	A-70285-D	1	37	GASKET- Fuel cap	94494	1
21	CRANKSHAFT	A-94992	1	38	FILTER- Fuel cap	89454	1
22	SHROUD	94458	1	39	TANK- Fuel	A-94482-C	1
				40	Includes: FILTER- Fuel	96639	1
				41	TUBING- Rubber (fuel line) 7 1/2"	70310-30	1

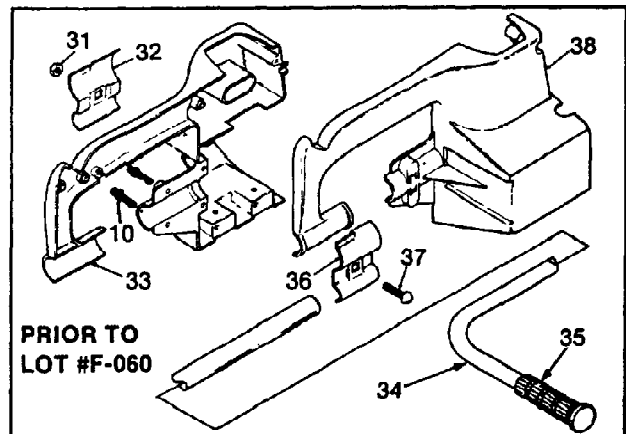
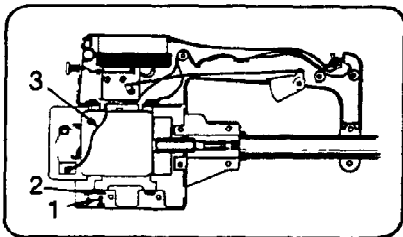
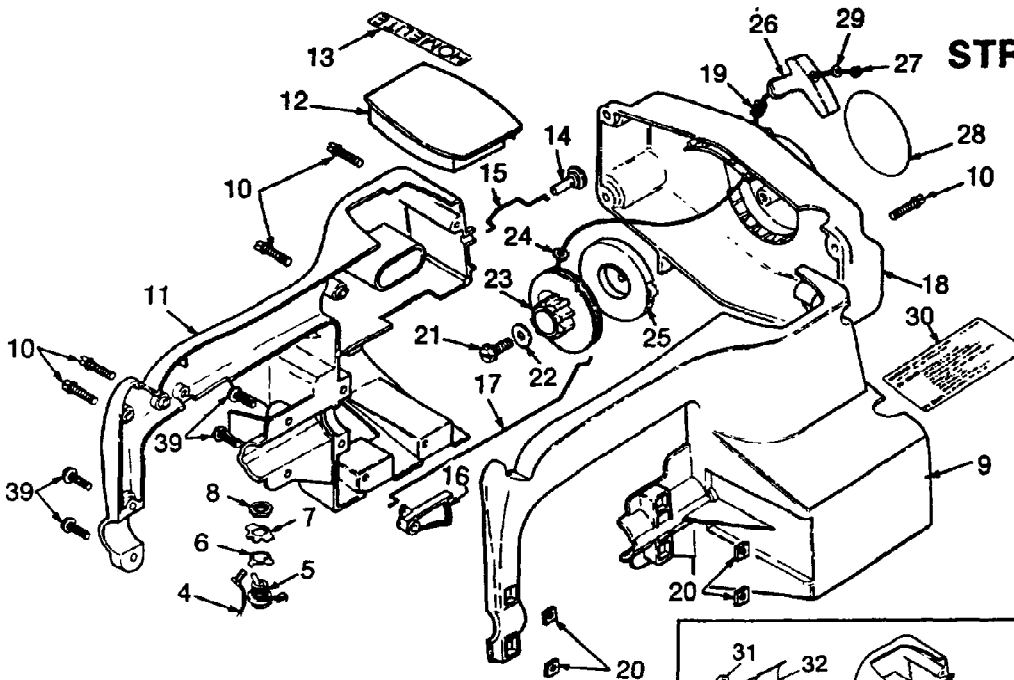
2

ALWAYS FURNISH MODEL AND SERIAL NUMBER WHEN ORDERING PARTS

©1984, Textron Inc.

**ST-200  
STRING TRIMMER**

**FIGURE 2**

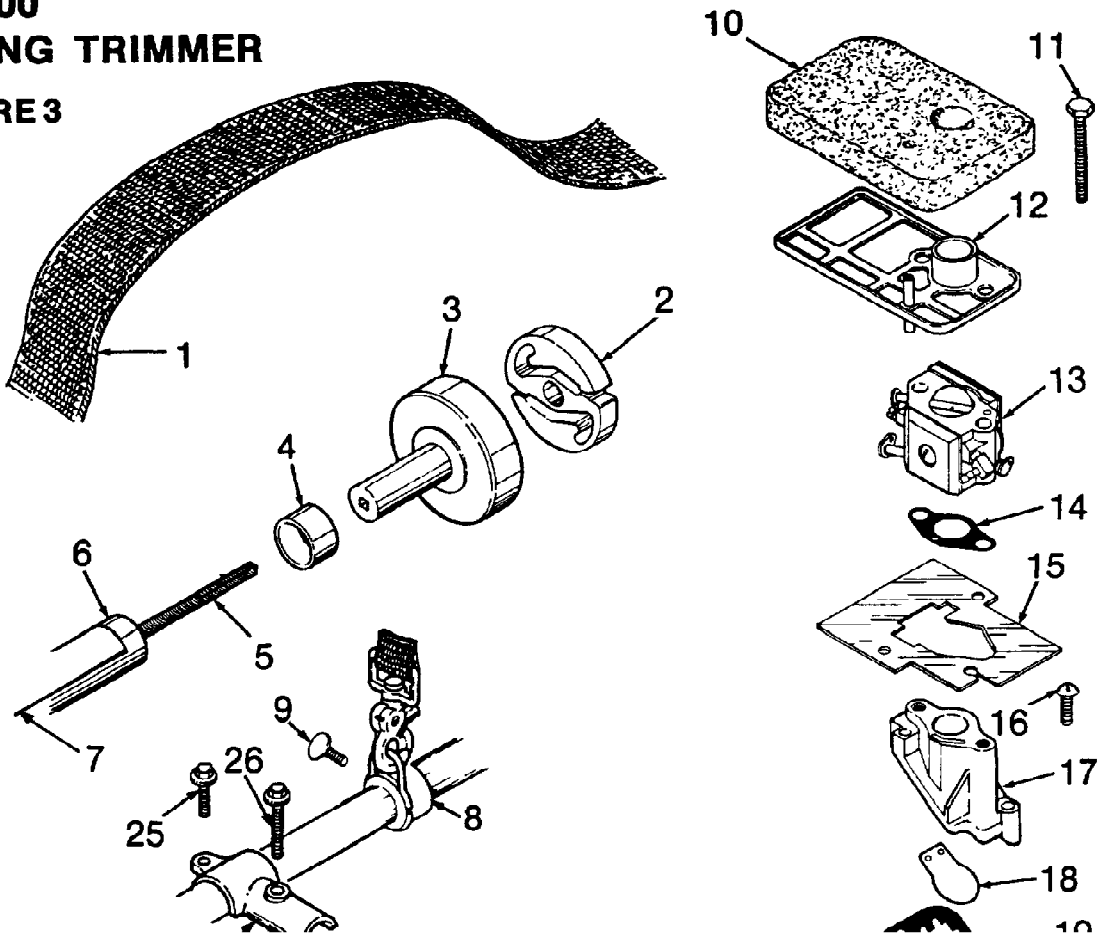


NO.	DESCRIPTION	PART NO.	QTY.	NO.	DESCRIPTION	PART NO.	QTY.
1	SCREW- Torx	96987	4	21	SCREW	70771	1
2	WASHER	96984	4	22	WASHER	94062	1
3	LEAD- Electrical	A-94472	1	23	PULLEY- Starter	69158-A	1
4	LEAD- Ground	A-94446	1	24	WASHER- Flat	93862	1
5	SWITCH- Toggle	93653	1	25	SPRING- Rewind	A-96999-B	1
6	WASHER- Grounding	95611-A	1	26	GRIP- Starter	70211	1
7	PLATE- Indicating	95231	1	27	ROPE- Starter #4 34" long	96648-1	1
8	NUT	72084-A1	1	28	DECAL (ST-200)	94407	1
9	HOUSING- Engine (Left) (After lot #F-060)	97570	1	29	WASHER- Flat	84025	1
10	SCREW	82368	12	30	DECAL- Starter instruction	96573	1
11	HOUSING- Engine (Right) (After Lot #F-060)	97569	1	31	NUT- Hex 5/16-18 (Prior to Lot #F-060)	81196	1
12	COVER- Filter Includes:	A-94489	1	32	CLAMP- Right (prior to Lot #F-060)	94426	1
13	DECAL	78290	1	33	HOUSING- Engine (Right) (Prior to Lot #F-060)	94448	1
14	BUTTON- Choke	94451	1	34	HANDLE BAR (Prior to Lot #F-060)	A-94467-A	1
15	ROD- Choke	97817	1	35	GRIP- Handle (Prior to Lot #F-060)	94474	1
16	TRIGGER	94452	1	36	CLAMP- Left (Prior to Lot #F-060)	94424	1
17	ROD- Throttle	94435-A	1	37	BOLT- Rd. Hd. 5/16 x 1 1/4 (Prior to Lot F-060)	82360	1
18	HOUSING- Starter Includes:	A-94477-B	1	38	HOUSING- Engine (Left) (Prior to Lot #F-060)	94447-A	1
19	BUSHING- Starter housing	A-97796	1	39	SCREW- (10-32 x 3/4 Hex Hd.)	82220	4
20	NUT (After Lot #F-060)	97574	12				

ALWAYS FURNISH MODEL AND SERIAL NUMBER WHEN ORDERING PARTS.

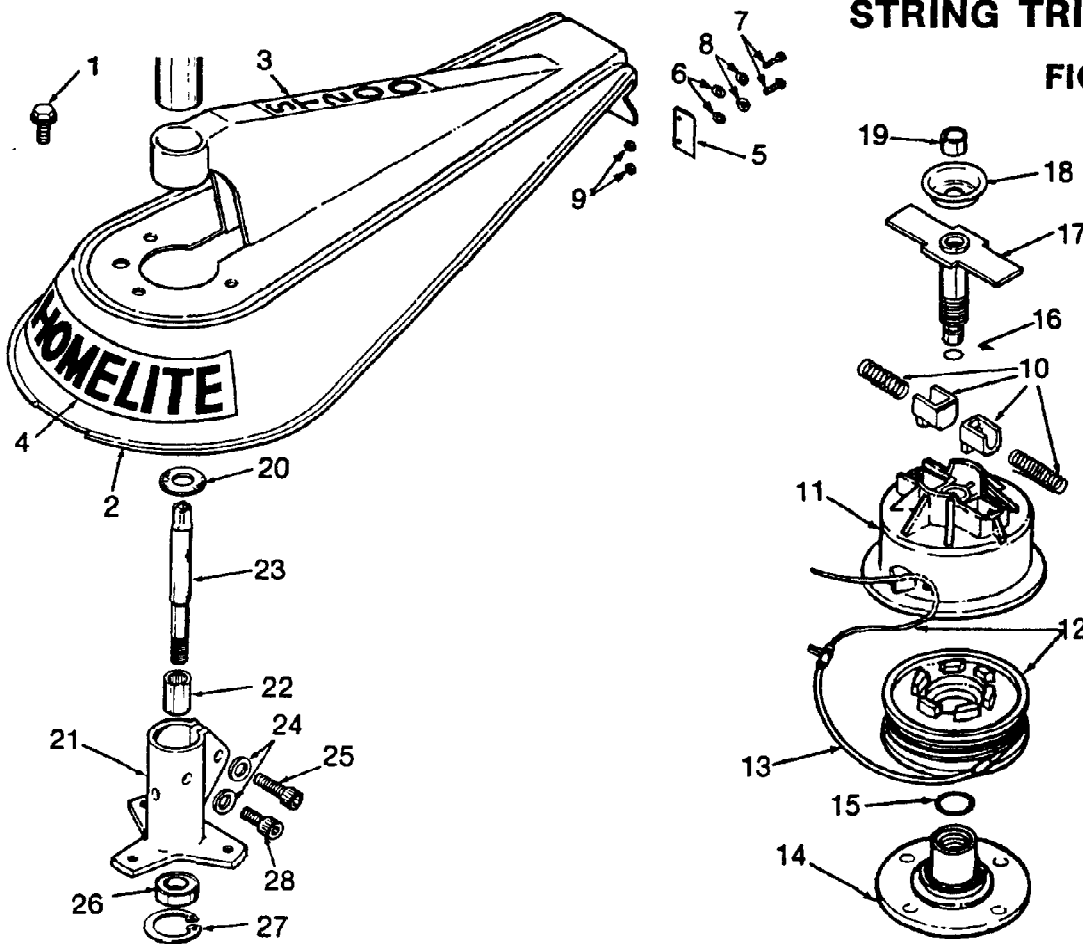
**ST-200  
STRING TRIMMER**

**FIGURE 3**



**ST-200  
STRING TRIMMER**

**FIGURE 4**



NO.	DESCRIPTION	PART NO.	QTY.	NO.	DESCRIPTION	PART NO.	QTY.
1	SCREW- 10-24 x 1/2	88049	3	12	SPOOL & STRING (After Lot #F-060)	DA-97728	1
2	COVER- String Head Includes:	A-94473-C	1	13	SPOOL & STRING (Prior to Lot #F-060)	DA-93954-B	1
3	DECAL (ST-200)	95495	1	14	TUBE- Weld-not Includes:	A-95518	1
4	DECAL- Homelite	95610	1	15	RETAINER- Spool	A-94929	1
5	BLADE (After Lot #E-041)	97169	1	16	"O" RING	58393	1
6	WASHER- Lock (After Lot #E-041)	83004	2	17	"O" RING	94150	1
7	SCREW (After Lot #E-041)	80630	2	18	CONNECTOR- Drive	A-94434	1
8	FLAT WASHER (After Lot #E-041)	84018	2	19	SHIELD- Grass	94409	1
9	NUT (After Lot #E-041)	81002	2	20	SPACER- Bearing	94411	1
10	KIT- Blade (not shown) (Prior to Lot #E-041)	A-96889	1	21	SEAL- Felt	96978	1
11	KIT- Slide & spring (After Lot #F-060)	A-97582	1	22	HOUSING- Lower head Includes:	A-95800-C	1
	KIT- Slide & Spring (Prior to Lot #F-060)	A-95689-A	1	23	BEARING- Needle	69638	1
	Includes:			24	SHAFT- Drive	94408	1
	SPRING- Hi speed			25	WASHER- Flat (1/4)	84020	2
	SLIDE- Hi speed			26	SCREW- Hex soc cap (1/4-20 x 1")	80428-1	1
	SLIDE- Low speed			27	BEARING- Ball	94421	1
	SPRING- Low speed			28	RING- Retaining	94412	1
11	HEAD- String (After Lot #F-060)	A-95380-1A	1		SCREW	82416	1
	HEAD- String (Prior to Lot #F-060)	A-94233-2	1				

ALWAYS FURNISH MODEL AND SERIAL NUMBER WHEN ORDERING PARTS

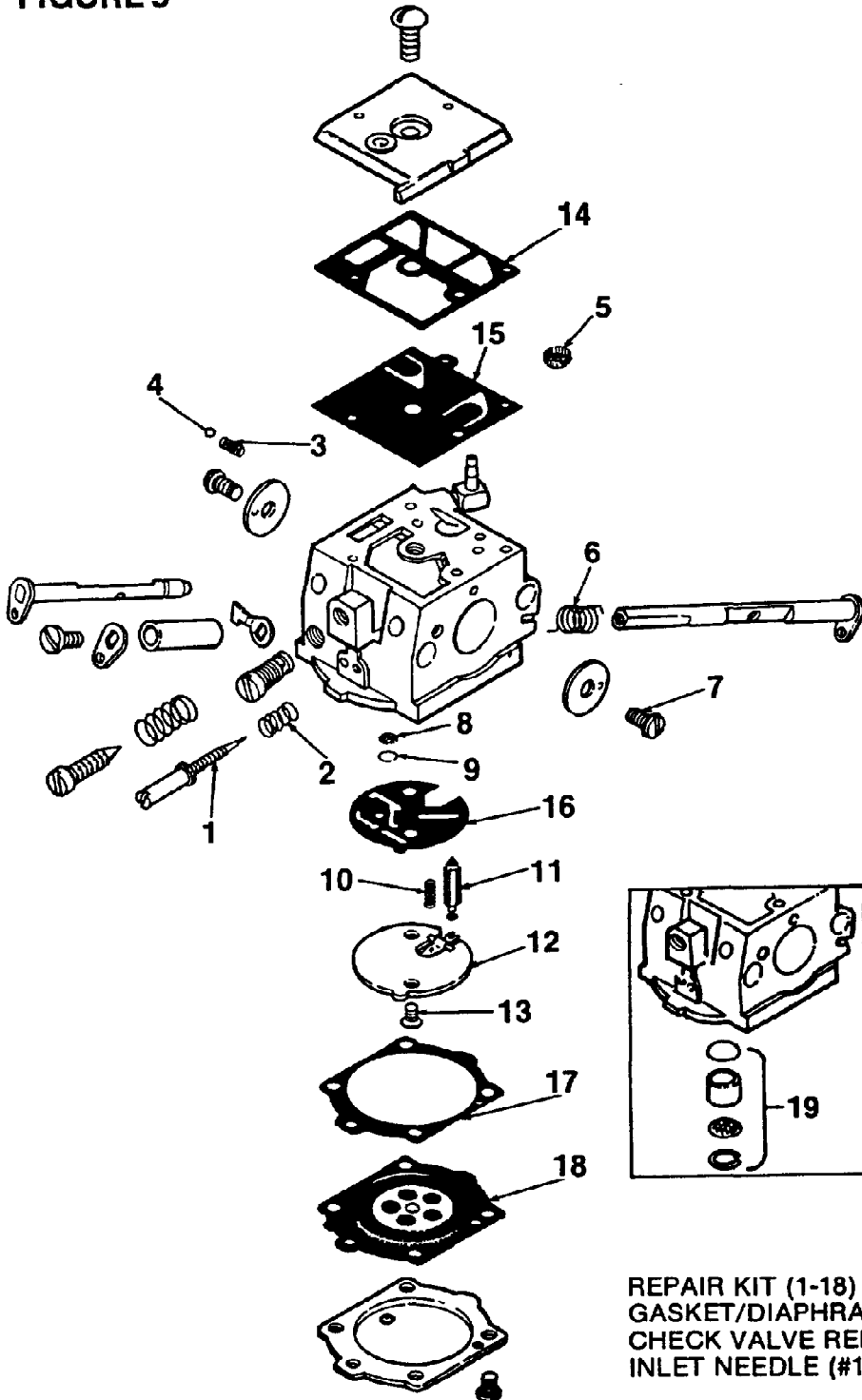
**ST-200  
STRING TRIMMER**

**FIGURE 5**

**CARBURETOR**

(HDC-69B)

**A-97601**

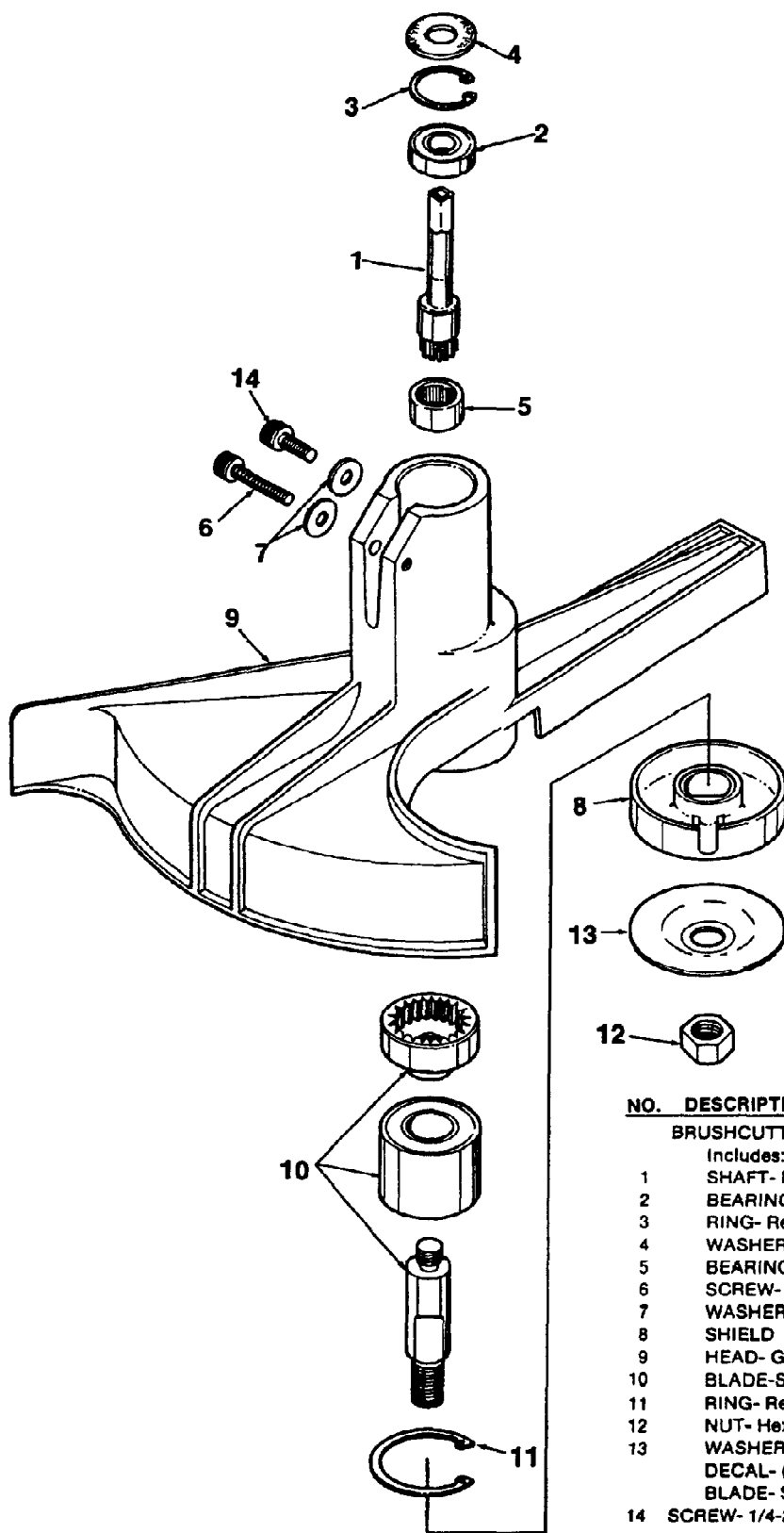


REPAIR KIT (1-18)  
GASKET/DIAPHRAGM KIT (14-18)  
CHECK VALVE REPAIR KIT (#19)  
INLET NEEDLE (#11)

97136  
94701  
93910-A  
64229

~~ST-200~~ **ST-200**  
**STRING TRIMMER**

**FIGURE 6**



NO.	DESCRIPTION	PART NO.	QTY.
	<b>BRUSHCUTTER KIT</b>	<b>A-9447B-C</b>	<b>1</b>
	Includes:		
1	SHAFT- Pinion	A-94468	1
2	BEARING- Ball (see note)	94421	1
3	RING- Retaining	94412	1
4	WASHER- Felt	96978	1
5	BEARING- Roller	59462	1
6	SCREW- 1/4-20 x 1	80428-1	1
7	WASHER- Flat	84020	2
8	SHIELD	94433-1	1
9	HEAD- Gear	94415-2B	1
10	BLADE-SHAFT ASSEMBLY	A-94431-1A	1
11	RING- Retaining	28922	1
12	NUT- Hex locking	46783	1
13	WASHER- Cupped	46781	1
	DECAL- (not shown)	95426	1
	BLADE- Saw	D-94469-1A	1
14	SCREW- 1/4-28 x 1/2	82416	1

**NOTE 1:** Install bearing with seal toward gear head.

## ACCESSORIES & TOOLS

GLIDE- Trim	D-94429	ROTOR- Puller	A-24747-A
KEY- Hex	94441	Includes:	
FIXTURE- Alignment	94455	NUT- Hex 5/16-18	81196
SCREWDRIVER	24541	BOLT	80288-2
TOOL- Shaft holder	94482	SEALANT	24823
WRENCH- Socket	68651	TOOL- Check valve	24972
BLADE- Tri-arc	94422-1	ATTACHMENT- Blower (ST-200 only)	A-93597
GREASE- Multi-use	17193	Includes:	
PLIERS- Tru-arc	22828	TOOL- Shaft stop	17370
PLUG- Bearing installation	17498	FAN	94925
PLUG- Bearing installation	17499	CLIP- Retaining	94928
PLUG- Bearing installation	17501	TOOL- Clutch removal	A-93791
SHIM- Plastic	24306	Includes:	
STRING- 100ft. replacement	DA-97703	PIN	23717-A
ROPE- Starter (250 Ft. Reel)	97135		

(R) 0487RY

**HOMELITE DIVISION OF TEXTRON INC.**  
 14401 Carowinds Boulevard  
 Charlotte, North Carolina 28217

**HOMELITE TEXTRON**

Homelite Division of Textron Inc.