

**HOMELITE®
BLOWER**
Model HB-280

UT08002

PART NO. 17637
Printed in U.S.A.
Price 35¢

**UT08002A
UT08005**

PARTS LIST

**HOMELITE®
BLOWER**
Model HB-480

**UT08001
UT08001-A**

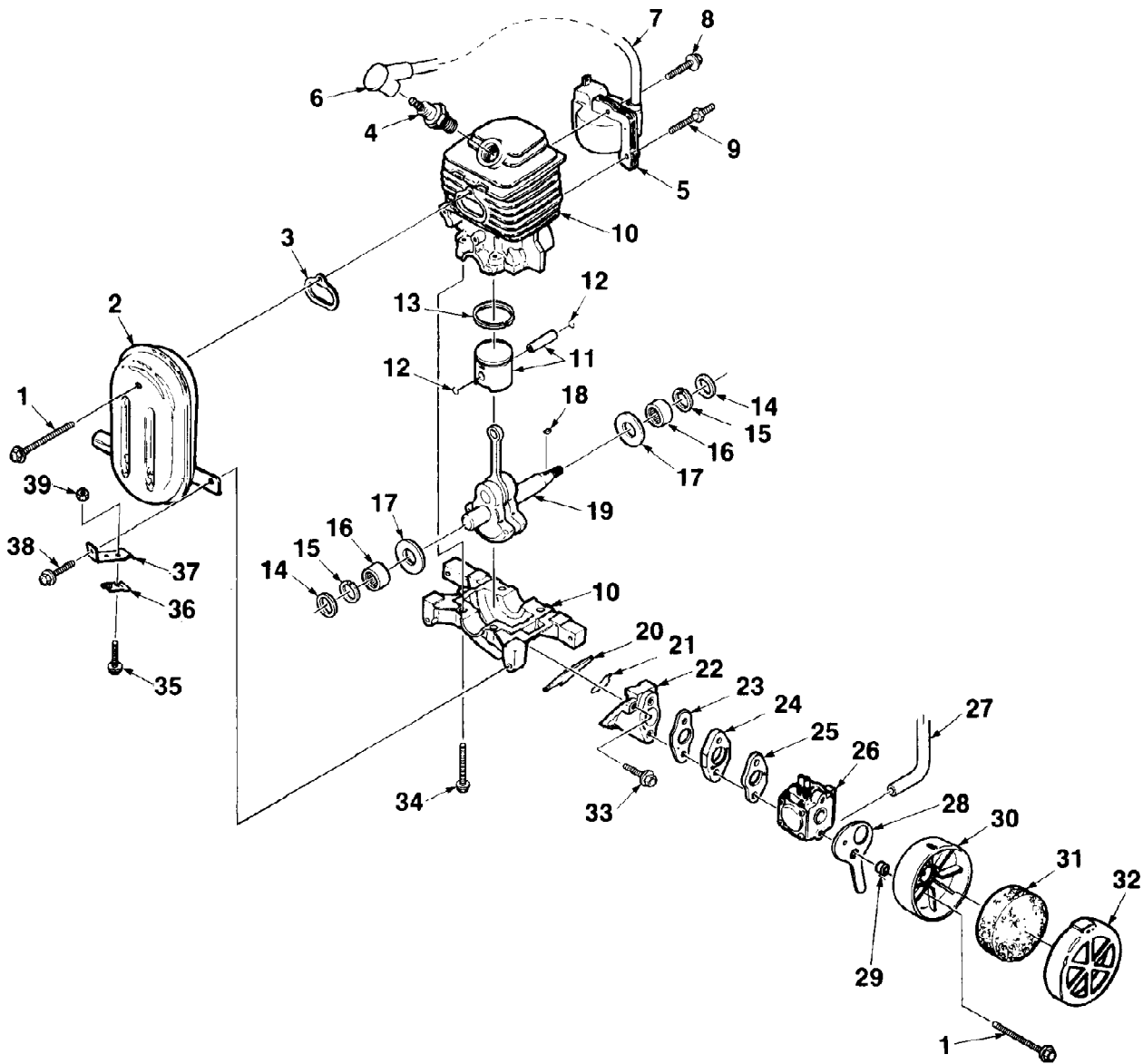
**HOMELITE®
MISTER/
BLOWER**
Model HB-680

**UT08000
UT08000-A**

**HOMELITE
TEXTRON**

Homelite Division of Textron Inc.

FIGURE 1

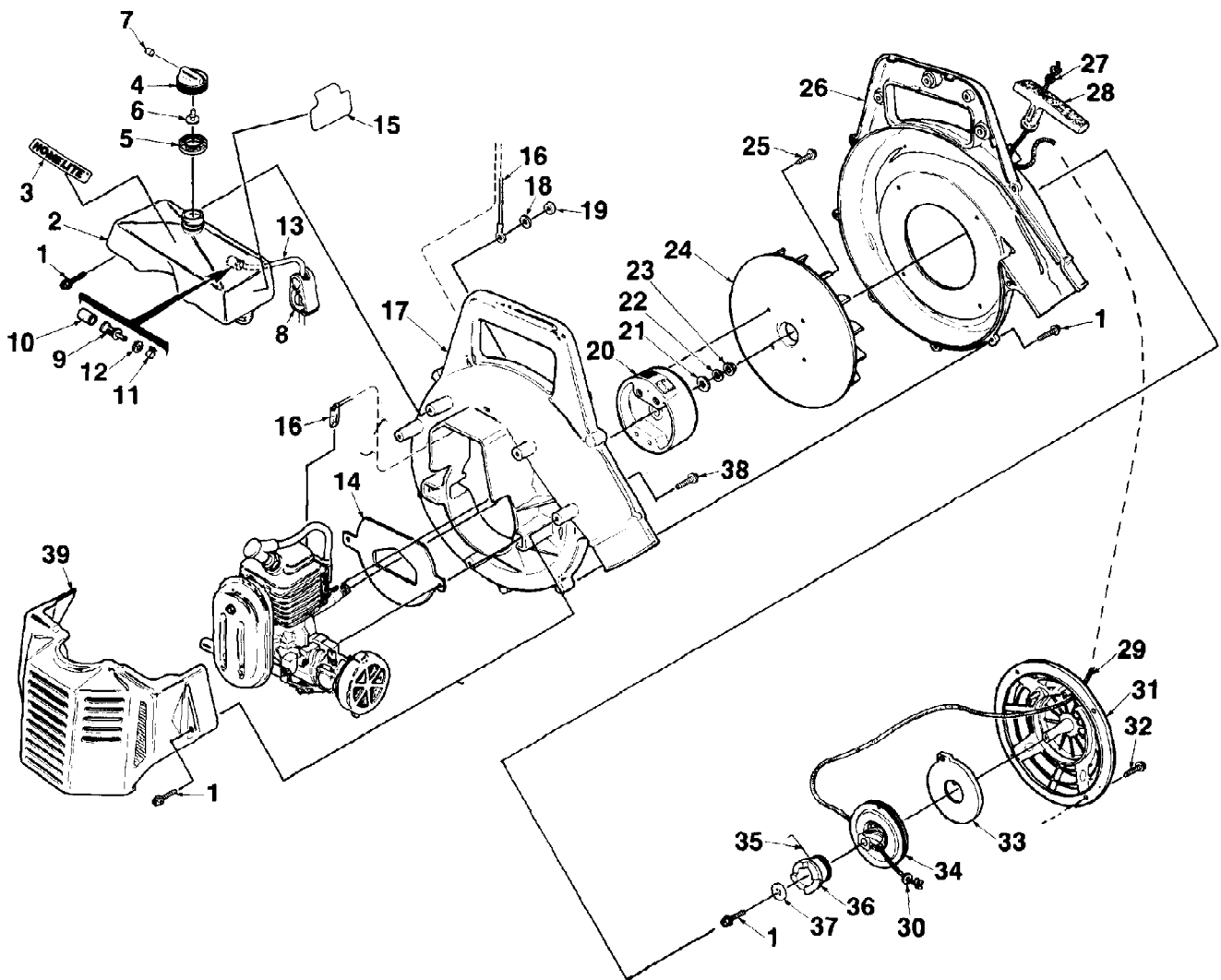


ALWAYS FURNISH MODEL AND SERIAL NUMBER WHEN ORDERING PARTS.

NO.	DESCRIPTION	PART NO.	HB-680			QTY.	NO.	DESCRIPTION	PART NO.	HB-680			QTY.
			HB-680	HB-480	HB-280					HB-680	HB-480	HB-280	
1	SCREW- Hex Sems (10-24 x 2)	88057	x	x	x	3	17	WASHER	69093-B	x	x	x	2
2	MUFFLER	A-95757-1A	x	x	x	1	18	KEY- Magneto	69250	x	x	x	1
3	GASKET- Muffler	93801	x	x	x	1	19	CRANKSHAFT (w/rod)	A-96615	x	x	x	1
4	SPARK PLUG (Champion) DJ-7J	68616-S	x	x	x	1	20	GASKET- Housing	93884-A	x	x	x	1
5	MODULE- Ignition	94711	x	x	x	1	21	REED	69146	x	x	x	1
	Includes						22	SPACER- Carburetor	94454-A	x	x	x	1
6	TERMINAL	A-33055	x	x	x	1	23	GASKET- Manifold	96100	x	x	x	1
7	LEAD- High tension	69326	x	x	x	1	24	MANIFOLD- Intake	96101	x	x	x	1
8	SCREW- Hex washer (8-32 x 3/4)	82248	x	x	x	1	25	SPACER- Carburetor	95560-A	x	x	x	1
9	STANDOFF	95735	x	x	x	1	26	CARBURETOR (Walbro #WA-95)	A-95736	x	x	x	1
10	CRANKCASE & CYLINDER	A-96906-2	x	x	x	1	27	TUBING- Rubber 6"	70310-60	x	x	x	1
	CRANKCASE & CYLINDER	A-95730	x			1	28	LEVER- Choke	95777	x	x	x	1
	Includes						29	SPACER- Choke lever	96948	x	x	x	1
	FITTING- Tube						30	HOUSING- Air filter	95749	x	x	x	1
	(see figure #5, index #69)	95763	x			1	31	ELEMENT- Air filter	95748	x	x	x	1
	SCREW- Sems hex hd						32	COVER- Air filter	95750	x	x	x	1
	(8-32 x 1") (see index #34)	88044		x	x	4	33	SCREW- (10-24 x 812)	93934	x	x	x	2
11	PISTON & PIN	A-69393	x	x	x	1	34	SCREW- Sems hex hd (8-32 x 1")	88044	x	x	x	4
	Includes						35	SCREW- Mach (8-32 x 375)	88041	x	x	x	1
12	RING- Piston pin retaining	65261	x	x	x	2	36	CLAMP- Throttle	96359	x	x	x	1
13	PISTON RING	69312	x	x	x	1	37	CLAMP- Throttle	95787	x	x	x	1
14	SEAL- Shaft	94638	x	x	x	2	38	SCREW- Hex sems (#10-24 x 3/4)	88051	x	x	x	2
15	SPACER- Seal	69407	x	x	x	2	39	NUT- Hex centerlock (8-23)	81223	x	x	x	1
16	BEARING- Needle	12530	x	x	x	2							

ALWAYS FURNISH MODEL AND SERIAL NUMBER WHEN ORDERING PARTS.

FIGURE 2

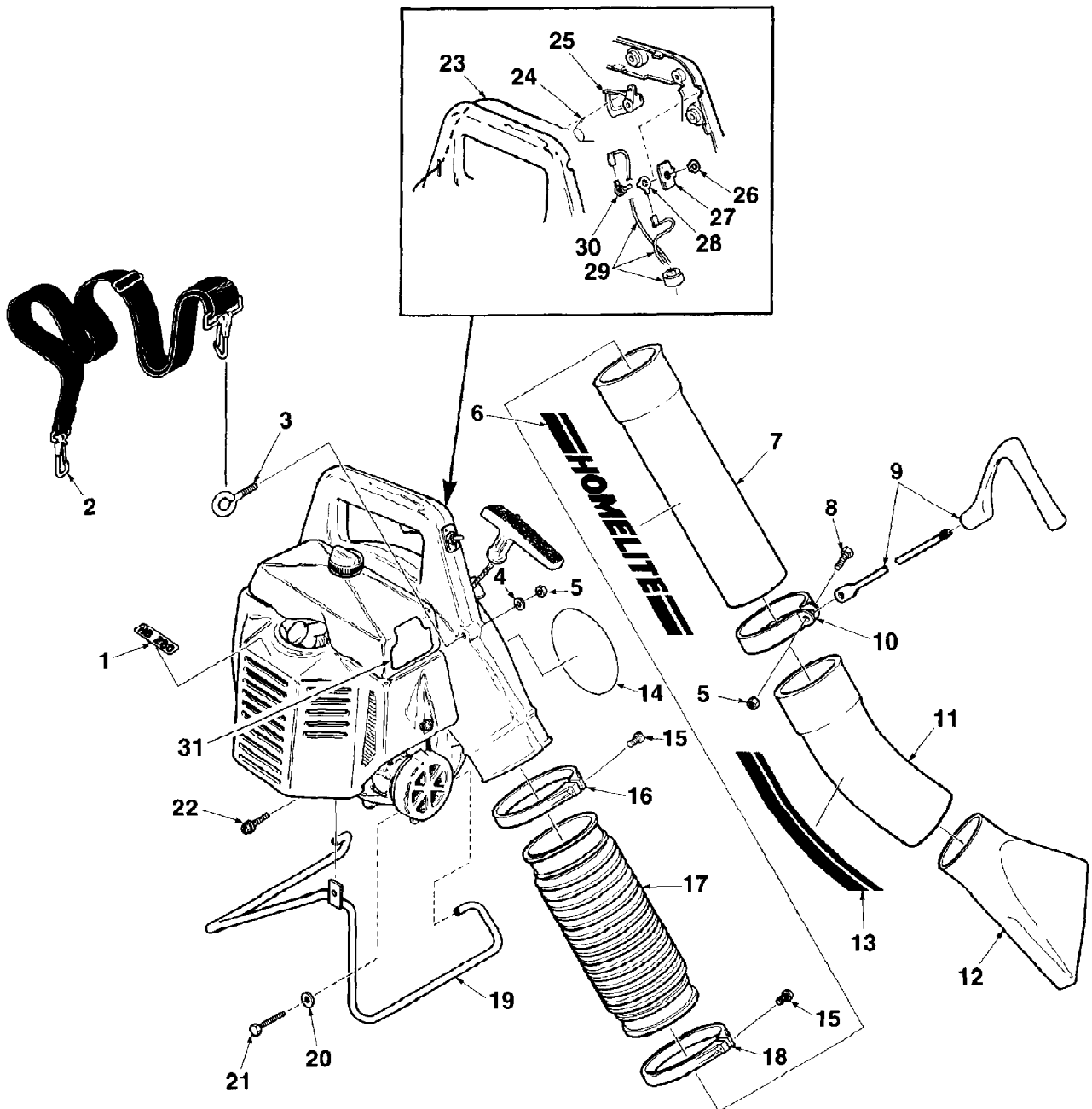


ALWAYS FURNISH MODEL AND SERIAL NUMBER WHEN ORDERING PARTS.

NO.	DESCRIPTION	PART NO.	HB-680	HB-480	HB-280	QTY.	NO.	DESCRIPTION	PART NO.	HB 680	HB 480	HB 280	QTY.
			x	x	x					x	x	x	
1	SCREW- Thread forming (plastic #10 x .750)	70771	x	x		18	19	NUT- Hex center lock (10-24)	81208	x	x	x	1
	SCREW- Thread forming (plastic #10 x .750)	70771			x	11	20	ROTOR- Magneto	95733	x	x	x	1
2	TANK- Fuel Includes:	A-96716-A	x	x	x	1	21	WASHER- Flat (5/16)	84065-1	x	x	x	1
3	DECAL- Homelite	96602	x	x	x	1	22	WASHER- Lock (5/16)	83002	x	x	x	1
4	CAP- Fuel Includes:	A-94495	x	x	x	1	23	NUT- Hex (5/16-24)	81117	x	x	x	1
5	GASKET- Fuel cap	94494	x	x	x	1	24	FAN	95720	x	x	x	1
6	VALVE- Check	94531-1	x	x	x	1	25	SCREW- Pan mach (10-32 x 7/16)	82396	x	x	x	4
7	FILTER- Fuel cap	69454	x	x	x	1	26	HOUSING- Volute	A-95737	x	x		1
8	CLAMP	96544	x	x	x	1		HOUSING- Volute	A-96336			x	1
9	FILTER- Fuel Includes:	A-69923	x	x	x	1	27	WASHER- Flat (#8)	84025		x	x	1
10	ELEMENT- Felt filter	64083	x	x	x	1		WASHER- Flat (#8)	84025	x			3
11	CLAMP	93426	x	x	x	1	28	GRIP- Starter	70211	x	x	x	1
12	WASHER	64182	x	x	x	1	29	ROPE- Starter Includes:	A-93876	x	x	x	1
13	TUBING- Rubber	70310-60	x	x	x	1	30	WASHER- Nylon	93862	x	x	x	1
14	BACKPLATE	95990	x	x	x	1	31	HOUSING- Starter	95719	x	x	x	1
15	DECAL- Instruction (warning)	96150			x	1	32	SCREW- Thread forming (#10 x 5/8)	82409	x	x	x	4
16	LEAD- Electrical (w/terminal)	A-95784	x	x		1	33	SPRING- Rewind	A-94918-A	x	x	x	1
	LEAD- Electrical (w/terminal)	A-96388			x	1	34	PULLEY- Starter	94383-A	x	x	x	1
17	HOUSING- Volute	95717	x	x		1	35	LEVER- Ratchet	94505	x	x	x	1
	HOUSING- Volute	95717-1			x	1	36	RATCHET- Starter	95803	x	x	x	1
18	WASHER- Flat #10	84003-1	x	x	x	1	37	WASHER- Flat	95208	x	x	x	1
							38	SCREW- Hex sems (#10-24 x 3/4)	88051	x	x	x	2
							39	SHROUD	95746	x	x	x	1

ALWAYS FURNISH MODEL AND SERIAL NUMBER WHEN ORDERING PARTS.

HB-280 BLOWER FIGURE 3



ALWAYS FURNISH MODEL AND SERIAL NUMBER WHEN ORDERING PARTS.

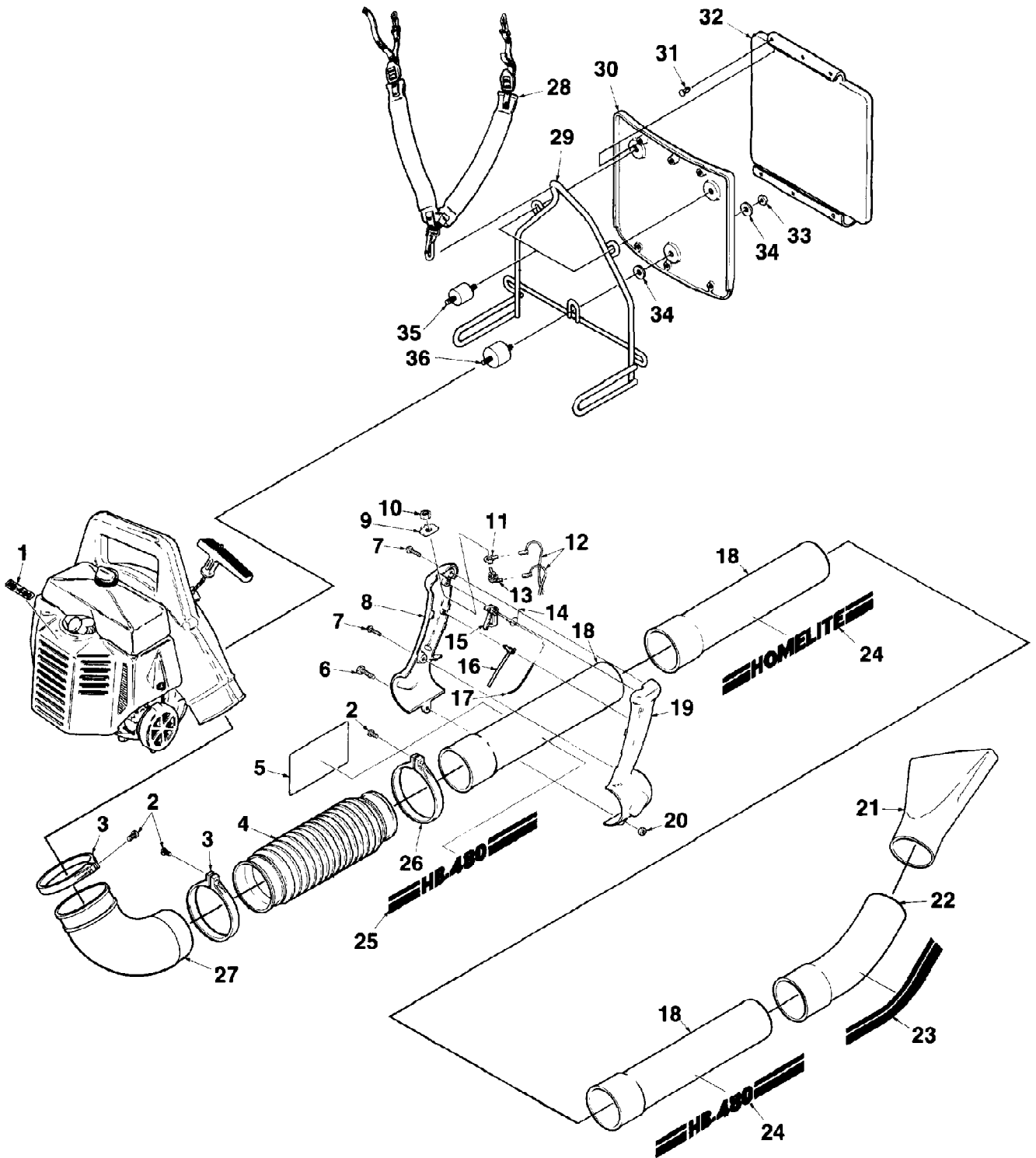
HB-280 BLOWER

NO.	DESCRIPTION	PART NO.	QTY.	NO.	DESCRIPTION	PART NO.	QTY.
1	DECAL- (HB-280 small)	96740	1	17	BELLOW- Plastic	95790	1
2	STRAP- Shoulder	96337-A	1	18	CLAMP	95785	1
3	BOLT- Closed eye	96389	1	19	STAND- Wire	96183	1
4	WASHER- Flat (#10)	84008	2	20	WASHER- Flat (#8)	84025	3
5	NUT- Lock hex (10-24)	81256	2	21	SCREW- Sems hex hd., (8-32 x 1.25)	88045	2
6	DECAL- Homelite	96496	1	22	SCREW- Thread forming (plastic #10 x .750)	70771	11
7	TUBING- Plastic (14")	95738	1	23	CABLE- Throttle	96335	1
8	SCREW- Pan hd. (10-24 x 1/2)	80672	1	24	SPRING- Torsion	96755	1
9	HANDLE- Guide	A-96331	1	25	TRIGGER	94452	1
10	CLAMP- Guide rod	96363	1	26	NUT- Toggle switch	72084-A1	1
11	TUBING- Plastic (10") (Curved)	95731	1	27	PLATE- Indicating	95231	1
12	NOZZLE- Sweeper	96329	1	28	WASHER- Grounding	95611-A	1
13	DECAL	96498	1	29	LEAD- Electrical	A-96388	1
14	DECAL (HB-280)	96741	1	30	SWITCH- Toggle	93653	1
15	SCREW- Oval hd. (10-24 x 1 1/4)	80450	4	31	DECAL - Instruction	96150	1
16	CLAMP	95786	1				

ALWAYS FURNISH MODEL AND SERIAL NUMBER WHEN ORDERING PARTS.

HB-480 BACK-PACK BLOWER

FIGURE 4



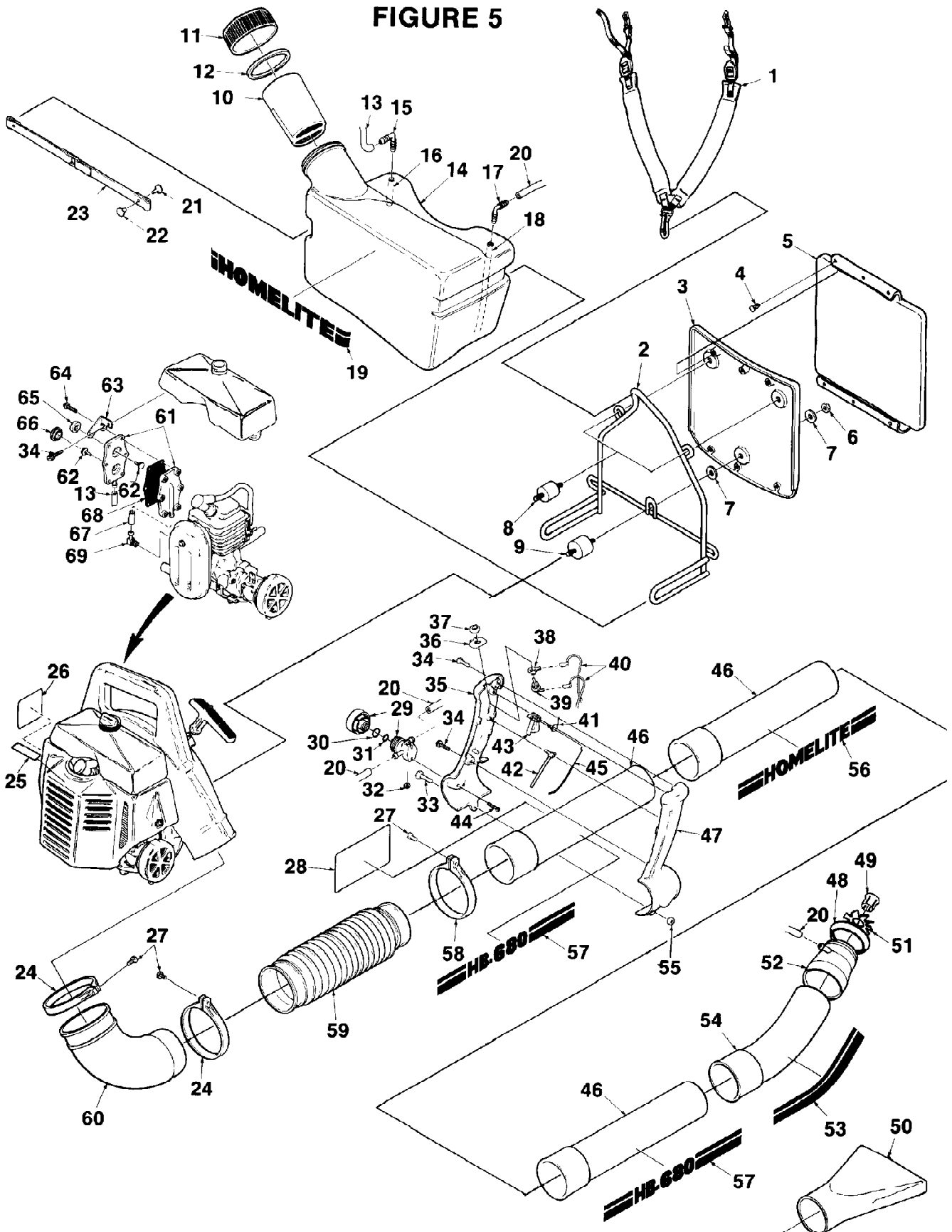
ALWAYS FURNISH MODEL AND SERIAL NUMBER WHEN ORDERING PARTS.

HB-480 BACK-PACK BLOWER

NO.	DESCRIPTION	PART NO.	QTY.	NO.	DESCRIPTION	PART NO.	QTY.
1	DECAL- (HB-480)	96739	1	18	TUBING- Plastic (14")	95738	2
2	SCREW- Oval hd (10-24 x 1 1/4)	80450	3	19	HANDLE- Control (right)	95723	1
3	CLAMP	95786	2	20	NUT- Hex (10-24 x 3/8)	81092	1
4	BELLOW- Plastic	95790	1	21	SWEEPER- Nozzle	96329	1
5	DECAL- Instruction (warning)	96146	1	22	TUBING- Plastic (10")	95731	1
6	BOLT- Rib neck rd hd (10-23 x 7/8)	82375	1	23	DECAL	96498	1
7	SCREW- Thread forming (plastic #10 x 750)	70771	17	24	DECAL- Homelite	96496	1
8	HANDLE- Control- left	95724-1	1	25	DECAL- (HB-480)	96738	2
9	PLATE- Indicating	95231	1	26	CLAMP	95785	1
10	NUT- Toggle switch	72084-A1	1	27	ELBOW- Plastic	95791	1
11	WASHER- Grounding	95782	1	28	HARNESS- Shoulder	96158	1
12	LEAD- Electrical (w/terminal)	A-95784	1	29	FRAME- W/ire	96160	1
13	SWITCH- Toggle	93653	1	30	BACKREST- Plastic	96157	1
14	SPRING- torsion	65375-2	1	31	CLIP- Push	96383	6
15	TRIGGER	94452	1	32	PAD- Brackrest	96159	1
16	LATCH- Trigger	95906	1	33	NUT- Hex (5/16-18)	81243	3
17	CABLE- Throttle	93806-A	1	34	WASHER- Flat	96381	6
				35	MOUNT- Vibration isolation	96382	2
				36	ISOLATOR- Vibration	46948-A	1

ALWAYS FURNISH MODEL AND SERIAL NUMBER WHEN ORDERING PARTS.

FIGURE 5



ALWAYS FURNISH MODEL AND SERIAL NUMBER WHEN ORDERING PARTS.

HB-680 BACK-PACK MISTER/BLOWER

NO.	DESCRIPTION	PART NO.	QTY.	NO.	DESCRIPTION	PART NO.	QTY.
1	HARNESS- Shoulder	96158	1	35	HANDLE- Control left	95724-1	1
2	FRAME- Wire	96160	1	36	PLATE- Indicating	95231	1
3	BACKREST- Plastic	96157	1	37	NUT- Toggle switch	72084-A1	1
4	CLIP- Push	96383	6	38	WASHER- Grounding	95782	1
5	PAD- Backrest	96159	1	39	SWITCH- Toggle	93653	1
6	NUT- Hex (5/16-18)	81243	3	40	LEAD- Electrical (w/terminal)	A-95784	1
7	WASHER- Flat	96381	6	41	SPRING- Torsion	65375-2	1
8	MOUNT- Vibration isolation	96382	1	42	LATCH- Trigger	95906	1
9	ISOLATOR- Vibration	46948-A	1	43	TRIGGER	94452	1
10	STRAINER- Fluid tank	95771	1	44	SCREW- Rd mach (6-32 x 7/16)	80831	2
11	CAP- Fluid tank Includes	A-95775	1	45	CABLE- Throttle	93806-A	1
12	GASKET- Cap	96920	1	46	TUBING- Plastic (14")	95738	2
13	TUBING- Plastic (8")	96922	1	47	HANDLE- Control-right	95723	1
14	TANK- Fluid Includes	A-95744	1	48	DIFFUSER- Nozzle	95804	1
15	FITTING- Elbow	96392	1	49	HEAD- Spray	95805	1
16	TUBING- Plastic	96921	1	50	SWEEPER- Nozzle	96329	1
17	FITTING- Elbow	96391	1	51	VANE- Diffuser	95801	1
18	TUBING- Plastic	95761	1	52	NOZZLE- Sprayer	95779	1
19	DECAL- Homelite	96496	1	53	DECAL	96498	1
20	TUBING- Plastic (28")	95760	2	54	TUBING- Plastic (#10) (curved)	95731	1
21	RIVET- Button top	96609	2	55	NUT- Hex (10-24 x 3/8)	81092	1
22	RIVET- Button base	96610	2	56	DECAL- Homelite	96496	1
23	STRAP- Tank retaining	96923	1	57	DECAL (HB-680)	96736	2
24	CLAMP	95786	2	58	CLAMP	95785	1
25	DECAL (HB-680)	96737	1	59	BELLOW- Plastic	95790	1
26	DECAL- Warning	96779	1	60	ELBOW- Plastic	95791	1
27	SCREW- Oval hd (10-24 x 1 1/4)	80450	3	61	PUMP- Air Includes	A-95770	1
28	DECAL- Instruction	96143	1	62	VALVE- Umbrella	95758	2
29	VALVE- Fluid control Includes	A-95766	1	63	BRACKET- Pump mount	95768	1
30	"O" RING	95743	1	64	SCREW- Thread forming (10 x 5/8)	82409	6
31	"O" RING	95781	1	65	ELEMENT- Pump filter	95767	1
32	NUT- Hex (6-32)	81238	5	66	PLUG TUBING- Plastic (see item #13)	96922	1
33	BOLT- Rib neck rd hd (10-23 x 7/8)	82375	1	67	TUBING- Plastic	96921	1
34	SCREW- Thread forming (plastic #10 x 750)	70771	17	68	DIAPHRAGM- Pump	95769	1
				69	FITTING- Tube	95763	1

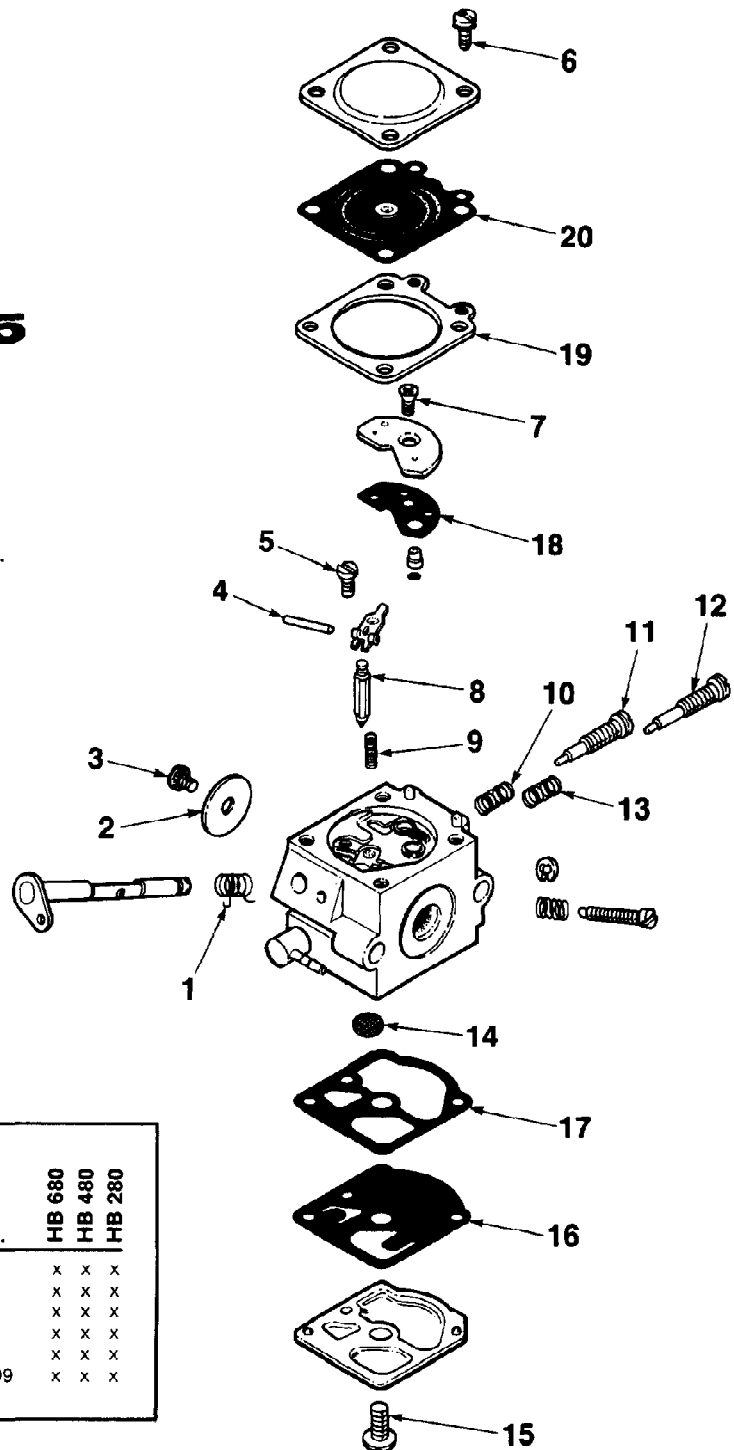
ALWAYS FURNISH MODEL AND SERIAL NUMBER WHEN ORDERING PARTS.

FIGURE 6

**CARBURETOR
A-95736**

WALBRO WA-95

DESCRIPTION	PART NO.
GASKET/DIAPHRAGM KIT (16-20)	96988
OEM REPAIR KIT (1-20)	96989



TOOLS AND ACCESSORIES		HB 680	HB 480	HB 280
DESCRIPTION	PART NO.			
WRENCH- Combination	A-24284	x	x	x
GAGE- Feeler (.012)	24306	x	x	x
SCREWDRIVER	24541	x	x	x
SILASTIC	24823	x	x	x
ROPE- Starting (250' reel #4)	68848	x	x	x
TUBING- Rubber	70310-99	x	x	x

HOMELITE DIVISION OF TEXTRON INC.
14401 CAROWINDS BOULEVARD
P.O. BOX 7047, CHARLOTTE, NORTH CAROLINA 28217

HOMELITE TEXTRON

Homelite Division of Textron Inc.