

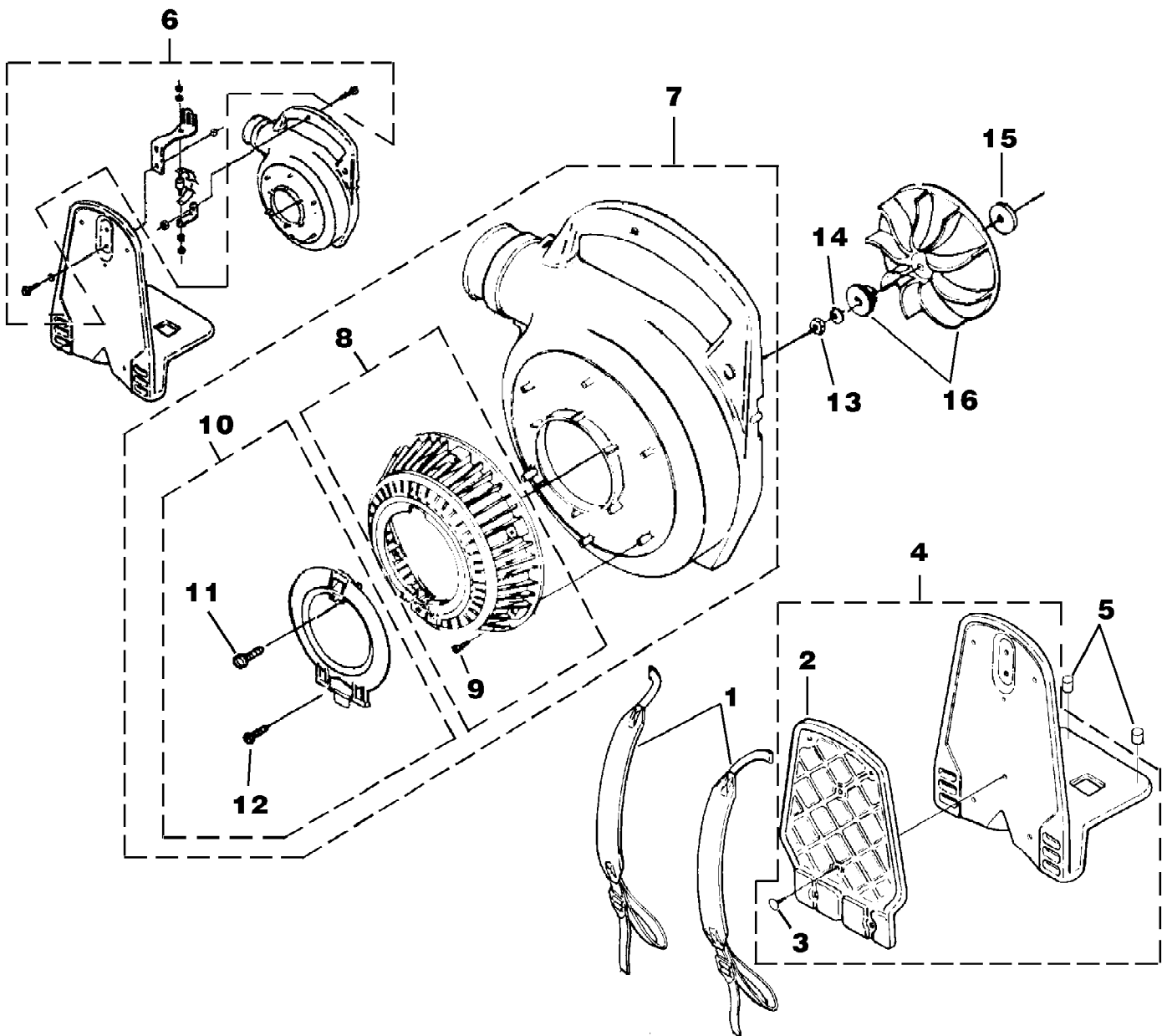
ACCESSORIES

Part No.	Description
98052	Starter Rope- #3 1/2 (250' Reel)
24982-01	T-25 Torx bit (1/4" shank)
24982-02	T-25 Torx bit (5/16" shank)
17789	Carburetor Repair Tool Kit
JA-31316-4	Surface Gap Plug Ignition Tester
23488-C	Thread Locking Compound
22486	Shim (.015") - Air gap
22828	Internal Snap Ring Pliers
A-02515	Gutter Maintenance Kit
	Includes:
97581	Plastic Tubings (2-3 ft. sections)
97580	Plastic Elbows (2)
64598	Safety Goggles

BP250 Back Pack Blower UT-08017-B
Accessories

Page 2 of 27

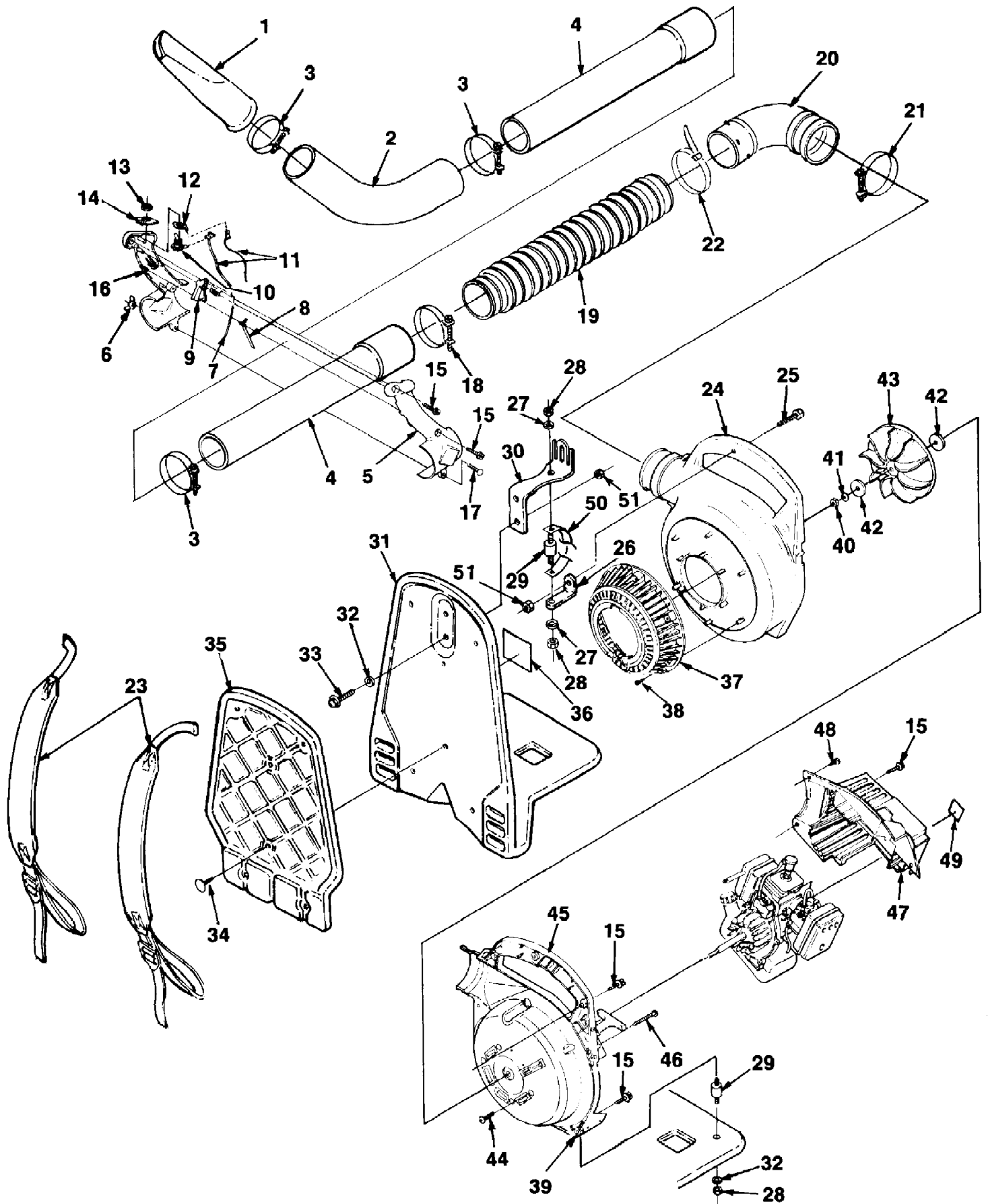
Ref #	Part Number	Qty	S/P/F	Description
98052	98052	1		Starter Rope- #3 1/2 (250' Reel)
2498201	2498201	1		T-25 Torx bit (1/4" shank)
2498202	2498202	1	/P	T-25 Torx bit (5/16" shank)
17789	17789	1	S	Carburetor Repair Tool Kit
JA313164	JA313164	1		Surface Gap Plug Ignition Tester
23488C	23488C	1		Thread Locking Compound
22486	22486	1		Shim (.015")- Air gap
22828	22828	1		Internal Snap Ring Pilers
A-02515	A02515	1		Gutter Maintenance Kit
97581	97581	1		Plastic Tubings (2-3 ft. sections)
97580	97580	1		Plastic Elbows (2)
64598	64598	1		Safety Goggles



BP250 Back Pack Blower UT-08017-B
Back Pack, Tube Kit & Handle

Page 4 of 27

Ref #	Part Number	Qty	S/P/F	Description
1	UP03829	2	S	HARNESS-Shoulder
4	UP04405	1	S/P	FRAME-Blower
2	UP06884	1		PAD-Foam
3	UP03830	6	S	CLIP-Push
5	UP03826	2	S	VIBRATION ISOLATOR (One included in #6 kit)
6	UP06885	1	S	VIBRATION ISOLATOR KIT
7	UP03861	1	S/P	VOLUTE HOUSING KIT Includes items 8-12
8	UP06720	1	S	BLOWER VAC GRILLE KIT Includes item 9
9	UP03894	6	S	SCREW-Thread Form. (#6 X 3/8") Torque Specs 8-12 In/Lbs, .9-1.4 Nm.
10	UP06613	1	S/P	ACCESS DOOR KIT Includes items 11-12
11	UP03888	1	S/P	SCREW-Thread Rolling (#10 X 5/8") Torque Specs 10-20 In/Lbs, 1.1-2.3 Nm.
12	UP03893	1	S	SCREW-Thread Form. (#8 X 1/2") Torque Specs 8-12 In/Lbs, .9-1.4 Nm.
13	UP03884	1	S/P	NUT-Hex (3/8-24) Torque Specs 130-150 In/Lbs, 14.7-17.0 Nm.
14	UP03835	1	S	WASHER-Bellville (3/8")
15	UP03836	2	S	WASHER-Flat
16	UP06826	1	S/P	BLOWER FAN KIT

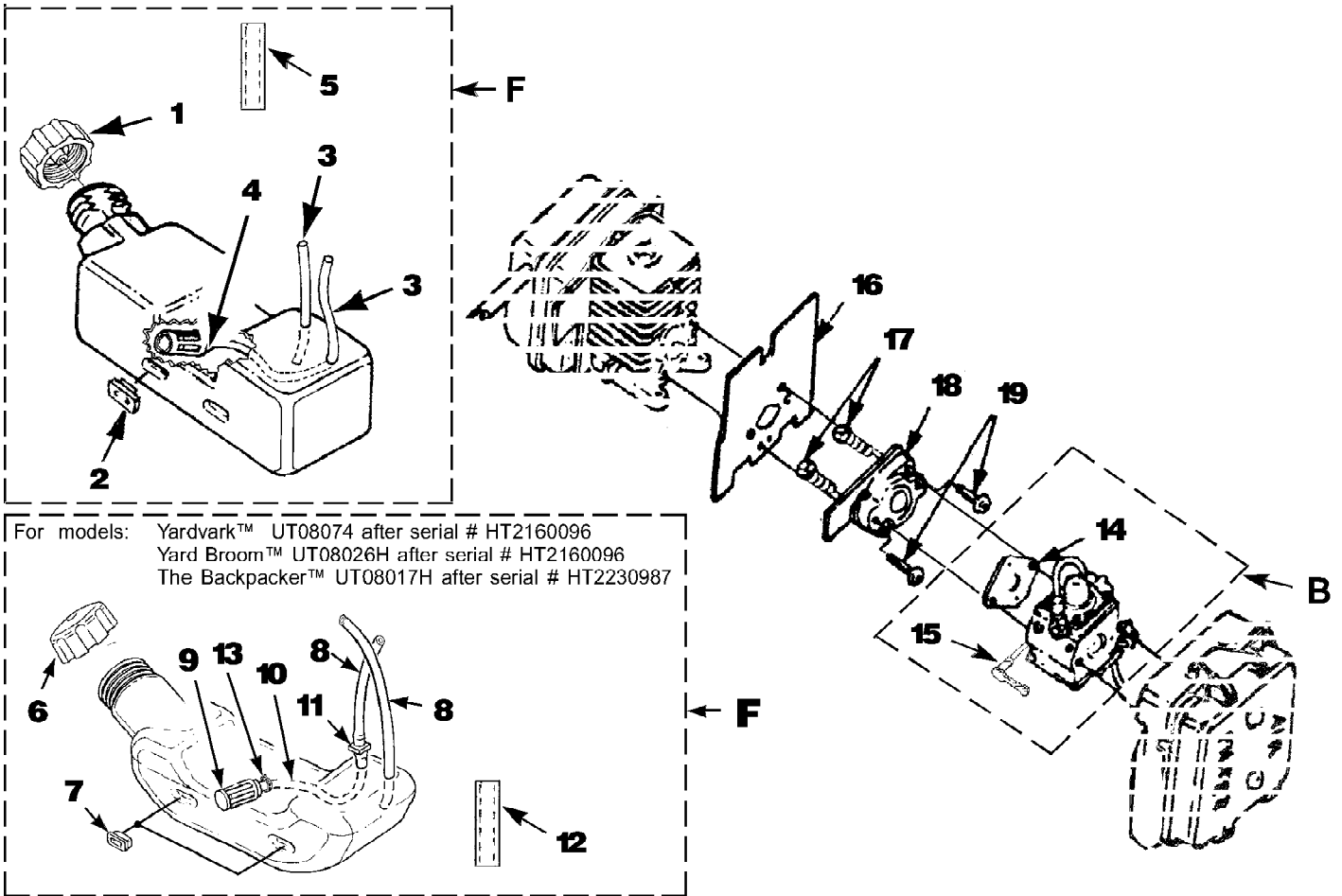


BP250 Back Pack Blower UT-08017-B
Blower

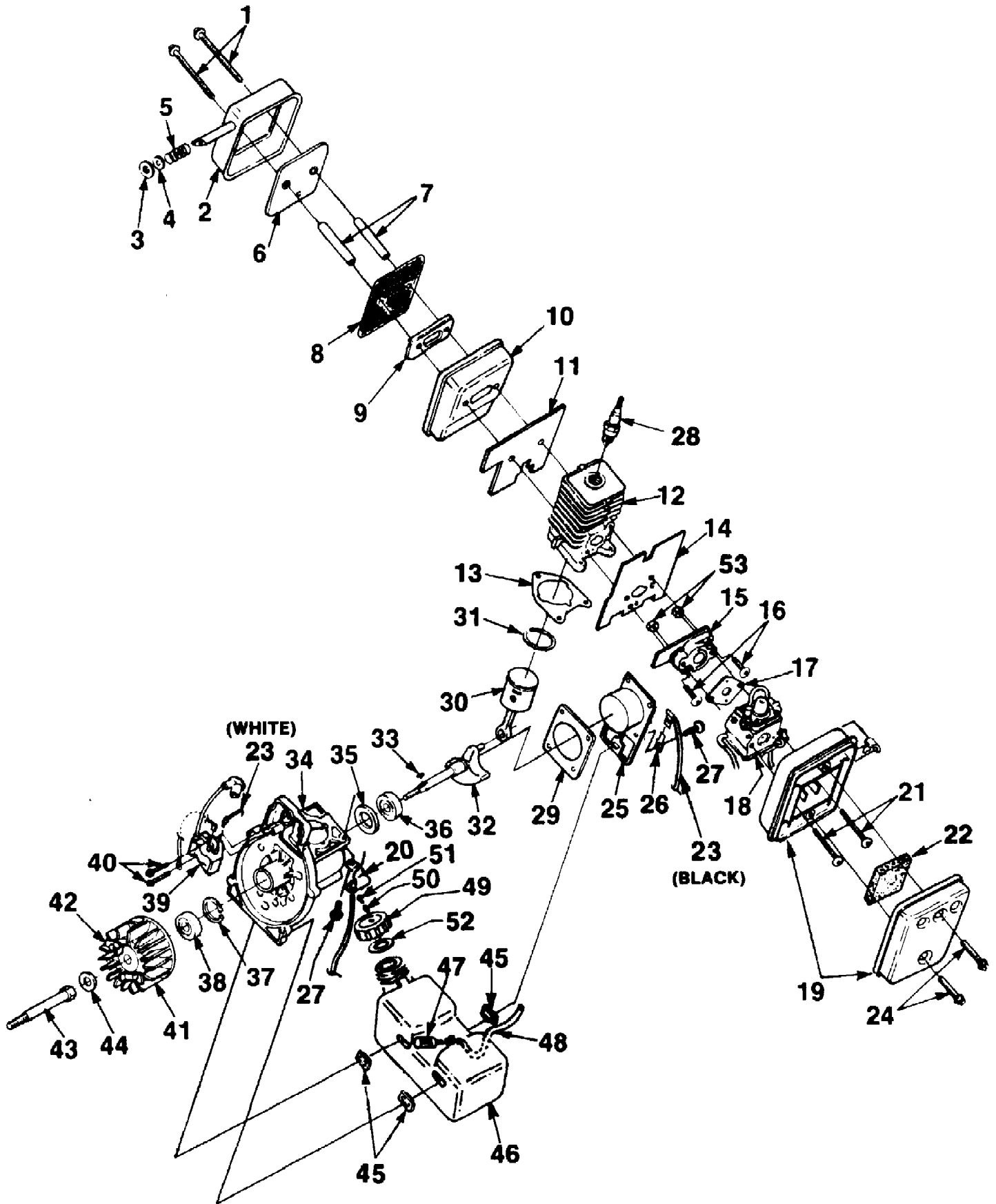
Page 6 of 27

Ref #	Part Number	Qty	S/P/F	Description
1	96329B	1	S	NOZZLE- Sweeper
2	01774	1		TUBE- Curved
3	004333	8	/P	CLAMP
4	A01780	2		TUBING- Straight
5	95723A	1		HANDLE- Control (right)
6	81281	1	/P	NUT- Wing (10-24)
7	01775	1	S	CABLE- Throttle
8	95906A	1	/P	LATCH- Trigger
9	94452A	1	S	TRIGGER
10	93653	1	S	SWITCH- Toggle
11	A01777	1		LEAD & TERMINAL
12	95782	1		WASHER- Grounding
13	72084A1	1	S	NUT- Toggle Switch
14	95231	1	S	PLATE- Indicating
15	70771	7	S	SCREW- Thd. forming plastite (#10 x 3/4")
16	95724A	1	S	HANDLE- Control (left)
17	82375	1	/P	BOLT- Rib neck (10-24 x 7/8")
18	004331	1	/P	CLAMP
19	01772	1	/P	BELLOWS- Plastic
20	01771	1		ELBOW- Curved
21	004335	1	/P	CLAMP
22	JA375487	1	S	TIE- Cable
23	01776	2	/P	HARNESS- Shoulder
24	003162	1		HOUSING- Volute (outer)
25	82554	1	/P	SCREW- (1/4-20 x 1 1/4")
26	01765	1	S/P	BRACKET- Isolator
27	83061	2	/P	WASHER- Lock
28	81267	4	/P	NUT- Hex (1/4-20)
29	01770	3		ISOLATOR
30	01764	1	S/P	BRACKET- Frame
31	01763	1	S	FRAME
32	84006	4	/P	WASHER- Flat (1/4")
33	63407	2	/P	SCREW- (1/4-20 x 3/4")
34	01783	6	/P	CLIP- Push
35	02023	1	S	PAD- Foam
36	01781	1	S	DECAL- Warning
37	00320	1		GRILL
38	82528	6	/P	SCREW- Plastite (#6 x 3/8")
39	81280	2	S	NUT- Square (1/4-20)
40	81117	1	/P	NUT- Hex (5/16-24)
41	70788	1	S	WASHER- Belleville (5/16")
42	00380	2		WASHER- Fan
43	00318	1		FAN- Blower
44	82538	4	/P	SCREW- Taptite (10-24 x 3/4")
45	A00814D	1		HOUSING- Volute (inner) w/decals
46	JA416903	1	/P	SCREW-Hex hd. plastite (10 x 1 5/8")
47	00321	1	S	SHROUD
48	82376	3	/P	SCREW- Thd. forming (#8 x 1/2")
49	00772	1		DECAL- Choke/Run
50	02541	1	/P	SAFETY STRAP
51	81204	3	/P	NUT- Locking hex

BP250 Back Pack Blower UT-08017-B
Carburetor And Fuel Tank



Ref #	Part Number	Qty	S/P/F	Description
F	UP00136	1	S/P	FUEL TANK KIT Includes items 1-5
1	UP04111	1	/P	FUEL CAP (1 3/8" Opening)
2	UP03501	3	S	BUMPER-Rubber
3	7031032	2	S	TUBING-Rubber (8")
4	UP03871	1	S/P	FUEL FILTER
5	4283304	1		INSULATION-Tubing
F	UP00136	1	S/P	FUEL TANK KIT Includes items 6-13
6	UP00106	1	/P	FUEL CAP (1 5/8" Opening)
7	UP03501	3	S	BUMPER-Rubber
8	UP03825	2	S/P	TUBING-Rubber (8")
9	UP03871	1	S/P	FUEL FILTER
10	UP03905	1	/P	TUBING-Rubber (8")
11	UP04310	1	S	Fitting, Inlet (small for 2.5mm ID fuel line)
	UP03831	1	S	Fitting, Inlet (large for 3mm ID fuel line)
12	UP04339	1	S	INSULATION-Tubing
13	UP03913	1	S	CLAMP
B	UP00651	1	/P	CARBURETOR KIT Includes items 14-15
14	UP03915	1	S	GASKET-Carburetor Also included with Short block & Cylinder Kits.
15	UP03943	1	/P	LEVER-Choke (Walbro WT419, WT469)
	UP04278	1	/P	LEVER-Choke (Zama, H39)
B	UP00652	1	/P	CARBURETOR KIT (BP250's, Backpacker & BP30185); Includes items 14-15
14	UP03916	1	S	(GASKET-Carburetor) Also included with Short block & Cylinder Kits.
15	UP03943	1	/P	LEVER-Choke (Walbro WT419,WT469)
	UP04278	1	/P	LEVER-Choke (Zama, H39)
B	UP00653	1	S/P	CARBURETOR KIT (UT08026 E, F, G, H, J, UT08011 G, H, J); Includes items 14-15
14	UP03915	1	S	GASKET-Carburetor Also included with Short block & Cylinder Kits.
15	UP03941	1	/P	LEVER-Choke
16	UP04308	1	S/P	GASKET-Heat Dam Also included with Short block & Cylinder Kits.
17	UP04131	2		SCREW-Thread Form. (10-24 x 1") Torque Specs 30-40 In/Lbs, 3.4-4.5 Nm.
18	UP04348	1	S	HEAT DAM
19	UP04140	2	S	SCREW, SEMS (10-24 x 1.110) Torque Specs 40-50 In/Lbs, 4.5-5.6 Nm. Required Loctite 262 Red; Also included with Short block & Cylinder Kits.

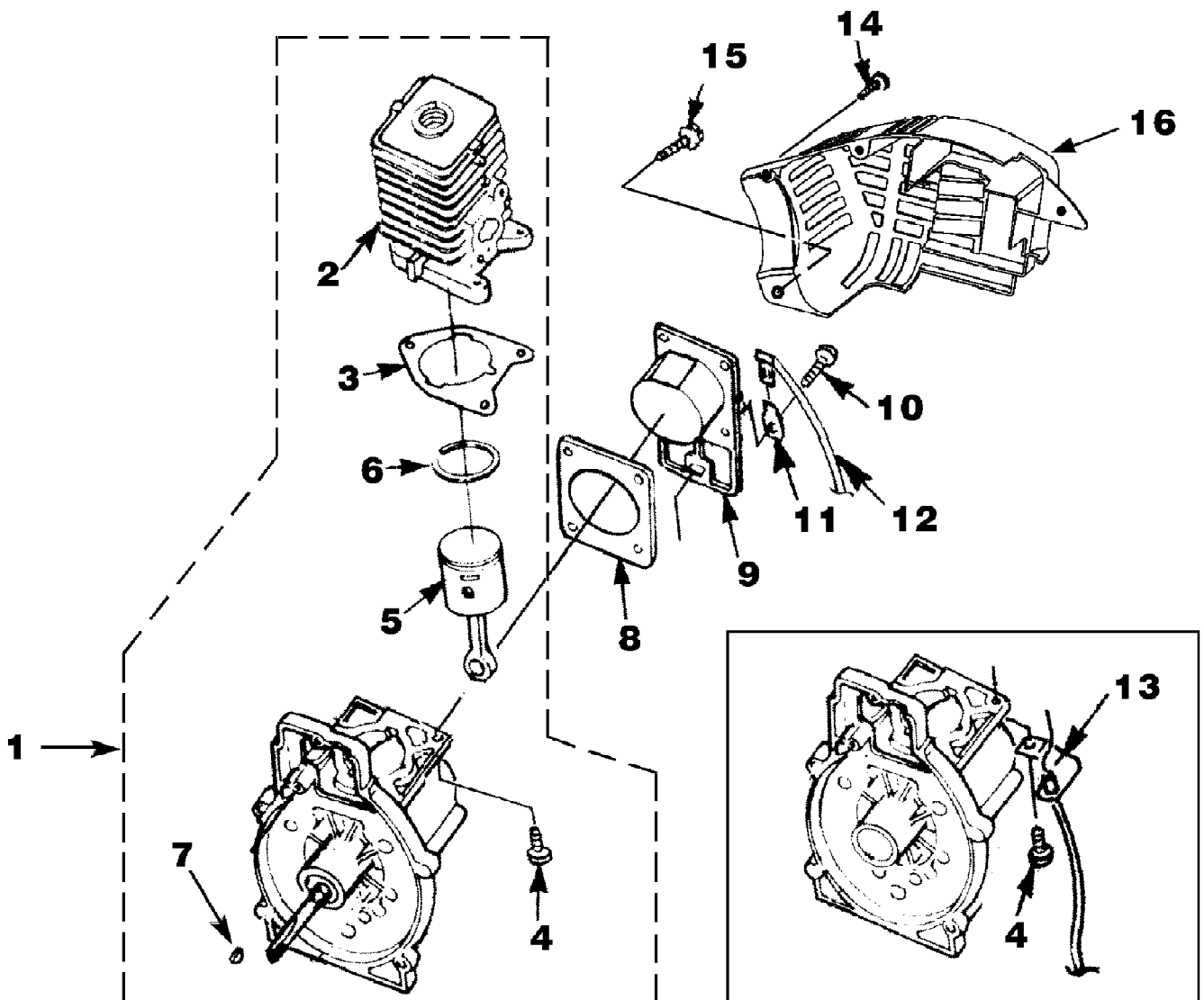


Ref #	Part Number	Qty	S/P/F	Description
1	88060	2	S/P	SCREW- Sems hex hd. (10-24 x 2 1/2")
2	A00366	1	/P	COVER- Muffler
3	00381	1	/P	WASHER- Insulating
4	84117	1	/P	WASHER- Flat
5	00387	1	/P	SPRING- Compression
6	00777	1	/P	DEFLECTOR- Muffler
7	98860A	2	S	SPACER- Muffler
8	00388B	1	/P	SCREEN- Spark Arrestor
9	98783	1	/P	PLATE- Reinforcing
10	A01323	1	S	BODY- Muffler
11	00394A	1	S	GASKET- Muffler
12	A00108	1		CYLINDER
13	98764	1		GASKET
14	00775A	1	S/P	GASKET- Heat dam
15	98768	1	S	HEAT DAM
16	82549	2		SCREW
17	98766	1		GASKET- Carburetor
18	A01769	1		CARBURETOR (WT-150) Walbro
	A01768	1		CARBURETOR (C1U-H13) Zama
19	A01440	1		BOX- Air filter
20	A01767	1	/P	CABLE- Bracket
21	82542	2	/P	SCREW- Thd. forming (10-24 x 2 1/4")
22	D98760	1		FILTER- Air
23	A01777	1		LEAD & TERMINAL
24	82368	2	S	SCREW- Thd. forming (8-16 x 3/4")
25	98754	1		COVER- Crankcase
26	00719	1	S	TERMINAL- Male tab
27	82538	7	/P	SCREW- Taptite (#10-24 x 3/4")
28	96169S	1	S	SPARK PLUG
29	98767	1		GASKET- Crankcase
30	A01036	1		PISTON & ROD ASSY.
31	96935	1	S	RING- Piston
32	987583	1		CRANKSHAFT
33	69250	1	/P	KEY- Woodruff
34	A00107	1		CRANKCASE ASSY.
35	98800	1	/P	SEAL- Shaft
36	98797	1	/P	BEARING- Ball
37	98799	1	/P	RING- Retaining
38	98798	1	S	BEARING- Ball
39	02008	1	F	MODULE- Ignition (Sawafugi)
	94711CS	1	/P/F	MODULE- Ignition (Phelon)
	94711CS	1	/P/F	MODULE- Ignition (Sems-Walbro)
40	82509	2	S	SCREW-Thd. forming (8-32 x 1")
41	A02010	1	F	ROTOR & STARTER PAWL Sawafugi (Black)
	A95007	1	S/F	ROTOR & STARTER PAWL Phelon/Sems-Walbro (Silver)
42	A70285E	1	/P	STARTER PAWL KIT
43	00377	1		ADAPTER- Fan
44	84065	1	S	WASHER- Flat (5/16")
45	98792	3	/P	BUMPER- Rubber
46	A01441	1		TANK- Fuel

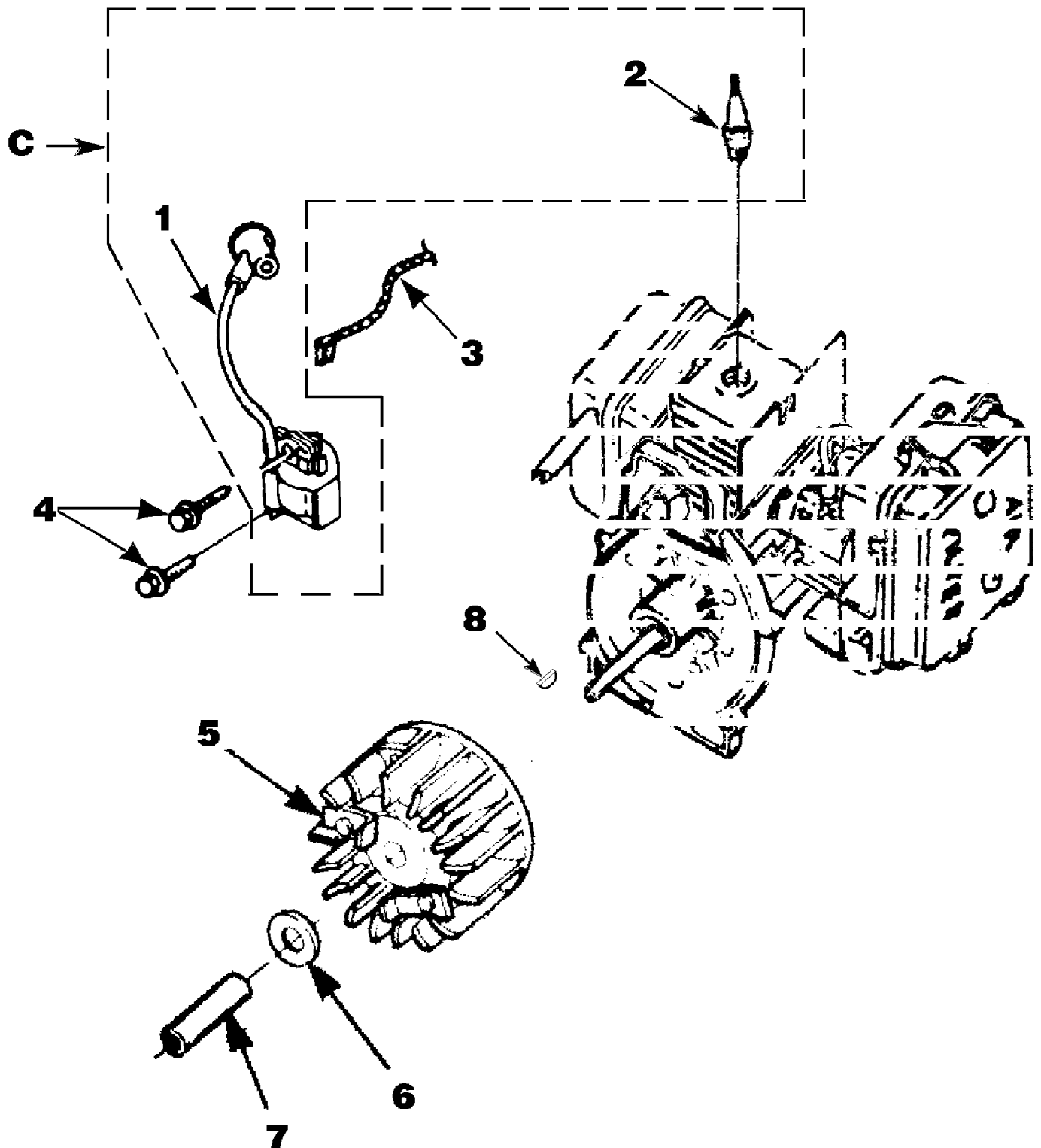
BP250 Back Pack Blower UT-08017-B
Engine & Peripherals

Page 11 of 27

Ref #	Part Number	Qty	S/P/F	Description
47	49422	1	S	FILTER- Fuel
48	9477232	1	S	TUBING- Rubber
49	A00982	1		FUEL CAP ASSY.
50	98819	1	/P	VALVE- Duck Bill
51	98913	1	S	FILTER
52	98805	1	S	GASKET- Fuel cap
53	81208	2	/P	NUT



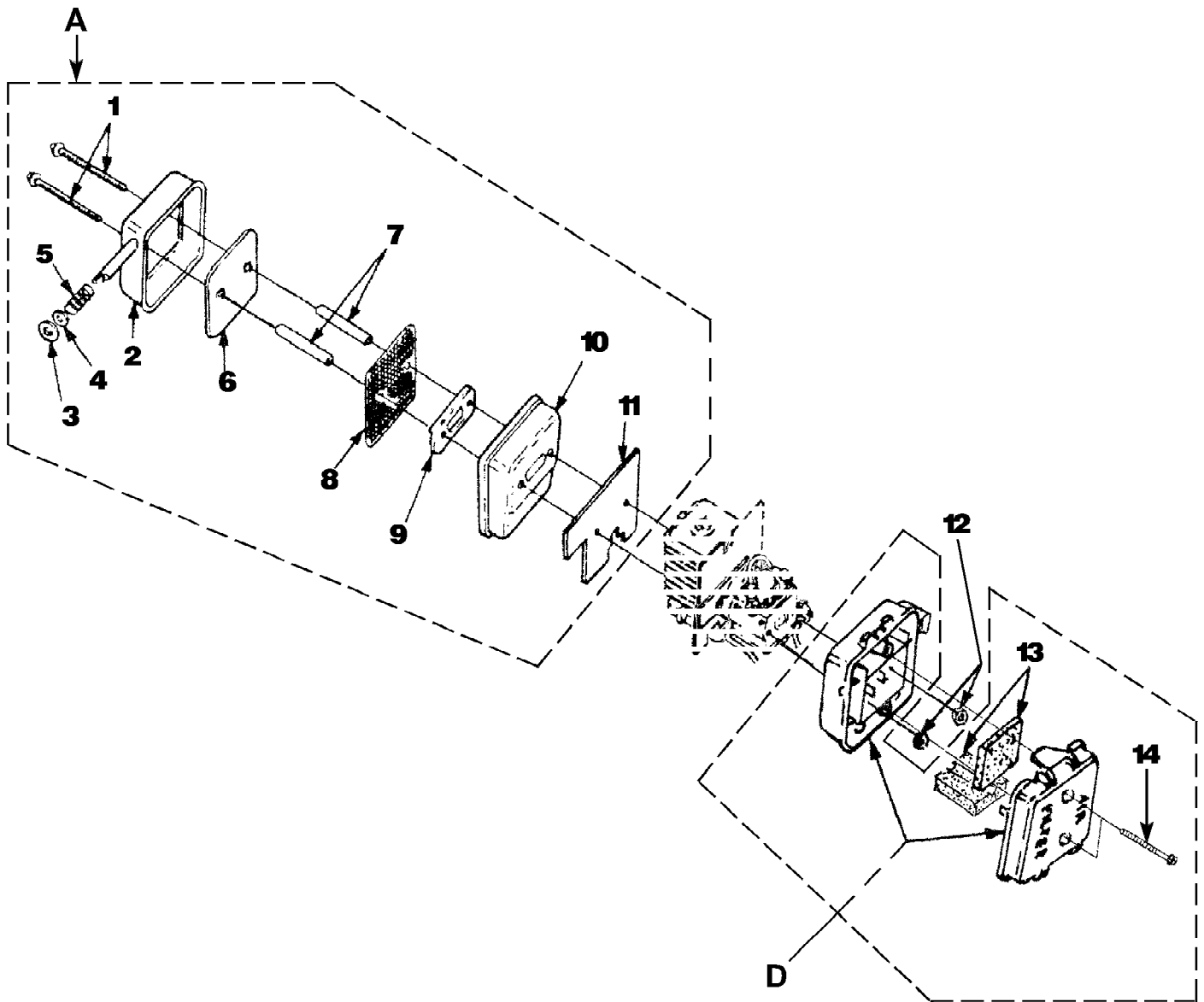
Ref #	Part Number	Qty	S/P/F	Description
1	UP03121	1	S/P	SHORT BLOCK W/Rotor (30cc) Includes items 2-7
2	UP07146	1	S/P	30 CC CYLINDER KIT Includes items 3-4
3	UP03857	1	S/P	GASKET-Cylinder Also Included with Short Block & Cylinder Kits
4	UP04345	3	S/P	SCREW, SEMS (12-24 x 3/4) Torque Specs 55-65 In/Lbs, 6.2-7.3 Nm. Required Loctite 262 Red
5	UP03366	1	S	30 CC PISTON & ROD Includes item 6
6	UP03837	2	S/F	RING-Piston
7	UP03874	1	S	KEY-Woodruff
	UP03817	1	S/P	GASKET-Muffler (Not Shown)
1	UP03123	1	/P	SHORT BLOCK W/Rotor (25cc) Includes items 2-7
2	UP04136	1	S	25 CC CYLINDER KIT Includes items 3-4
3	UP03857	1	S/P	GASKET-Cylinder
4	UP04345	3	S/P	SCREW, SEMS (12-24 x 3/4) Torque Specs 55-65 In/Lbs, 6.2-7.3 Nm. Required Loctite 262 Red
5	UP00768	1	S/P	25 CC PISTON & ROD Includes item 6
6	UP03838	1	S/P	RING-Piston
7	UP03874	1	S	KEY-Woodruff
	UP03817	1	S/P	GASKET-Muffler (Not Shown)
8	UP04335	1	S	GASKET-Crankcase Torque Specs 55-65 In/Lbs, 6.2-7.3 Nm. Required Loctite 262 Red; Also Included with Short Block & Cylinder Kits
9	UP04336	1	S	CRANKCASE COVER-Stamped Steel
10	UP04295	4	S/P	SCREW, SEMS (10-24 x .56) (Use with stamped steel c/case cover); Also Included with Short Block & Cylinder Kits
9	UP03914	1	S/P	CRANKCASE COVER-Aluminum
10	UP04277	4	/P	SCREW, SEMS (10-24 x .810) (Use with aluminum c/case cover); Also Included with Short Block & Cylinder Kits
11	UP03834	1	S	TAB-Male
12	UP04302	1	S	CABLE-Throttle w/Ignition Leads (BP250's, Backpacker & BP30185)
13	UP04296	1	S	CABLE BRACKET (BP250's, Backpacker & BP30185)
14	UP03893	3	S	SCREW-Thread Form. (#8 X 1/2") Torque Specs 8-12 In/Lbs, .9-1.4 Nm.
15	UP03900	6	S/P	SCREW-Thread Form. (#10 X 3/4") Torque Specs 20-30 In/Lbs, 2.3-3.4 Nm.
16	UP06522	1	S/P	SHROUD
	UP06779	1		SHROUD-Flocked (HB180-VI, HB390-VI)



BP250 Back Pack Blower UT-08017-B
Ignition With Rotor

Page 15 of 27

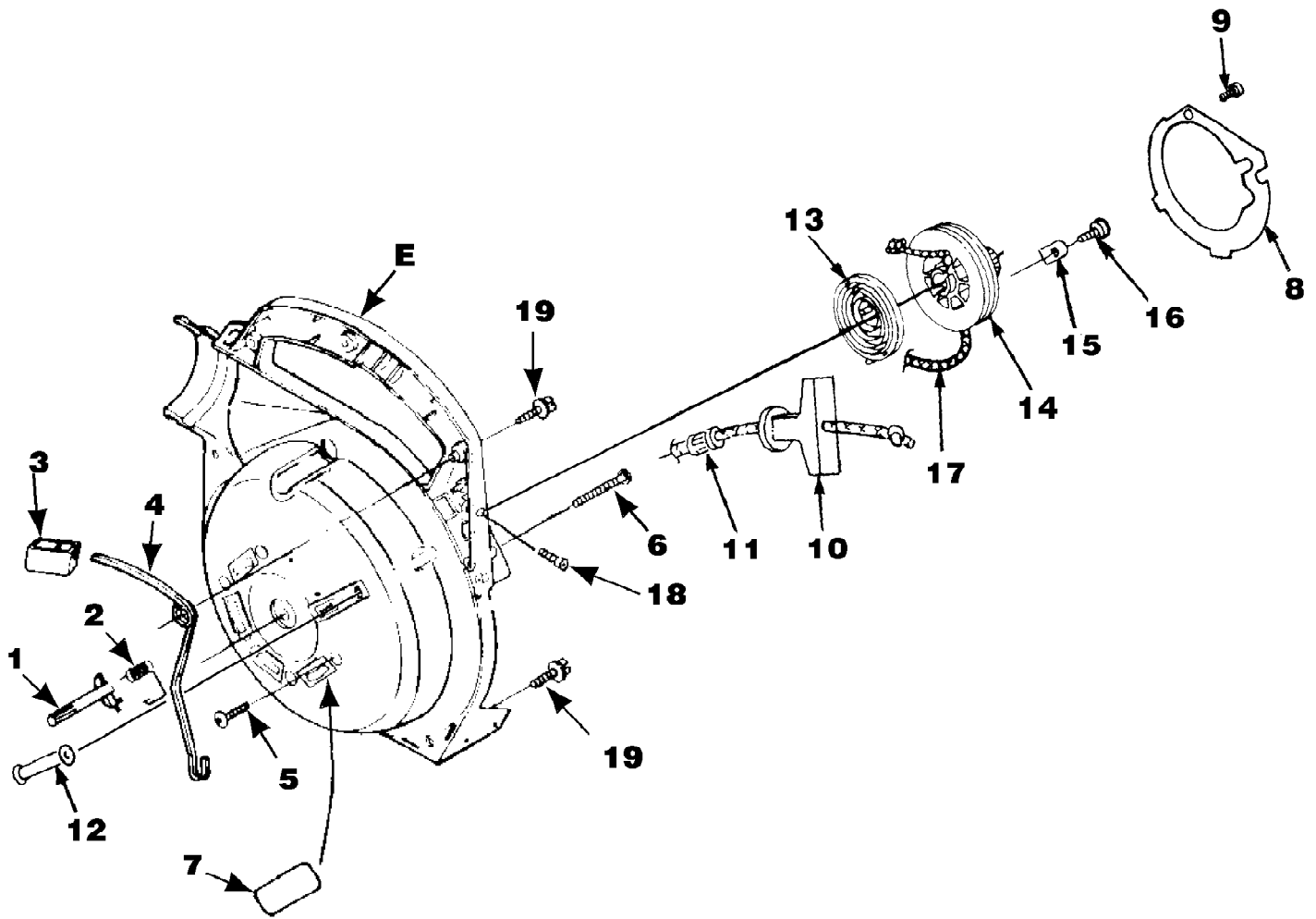
Ref #	Part Number	Qty	S/P/F	Description
C	UP03858	1	/P	IGNITION KIT w/Module Includes items 1-2
1	UP03868	1	S/P	TERMINAL-Hi-Tension
2	UP03883	1	/P	SPARK PLUG (RDJ-7Y) Torque Specs 120-180 In/Lbs, 13.6-20.3 Nm.
3	A03924	1	S	LEAD-Electrical (BP250's, Backpacker & BP30185)
4	UP03896	2	S/P	SCREW-Thread Form. (8-32 x 1") Torque Specs 30-40 In/Lbs, 3.4-4.5 Nm. Required Loctite 242 Blue
5	UP03009	1		ROTOR & STARTER PAWLS
6	UP03906	1	S/P	WASHER-Flat
7	UP03854	1	S/P	SPACER-Fan
8	UP03874	1	S	KEY-Woodruff



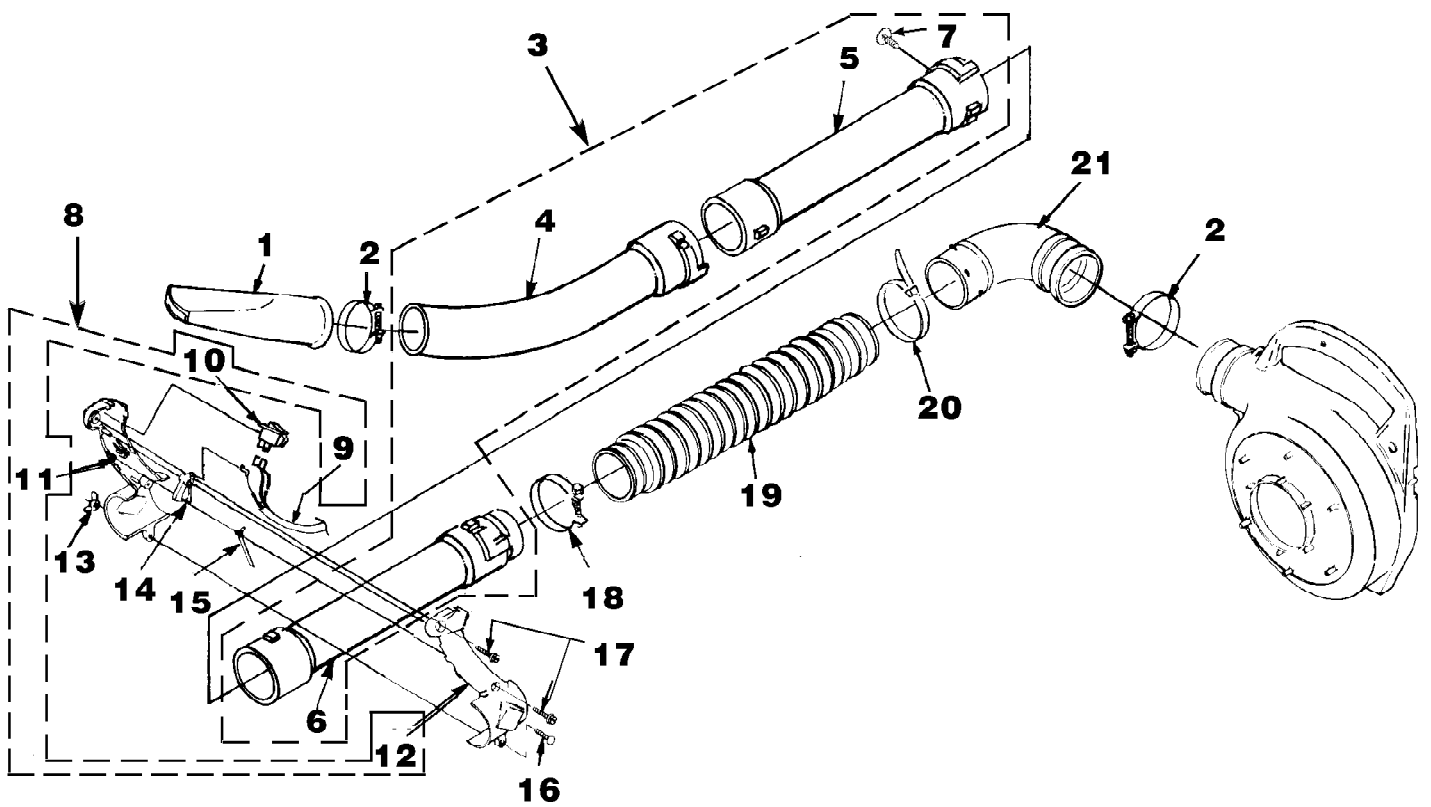
BP250 Back Pack Blower UT-08017-B
Muffler And Air Cleaner

Page 17 of 27

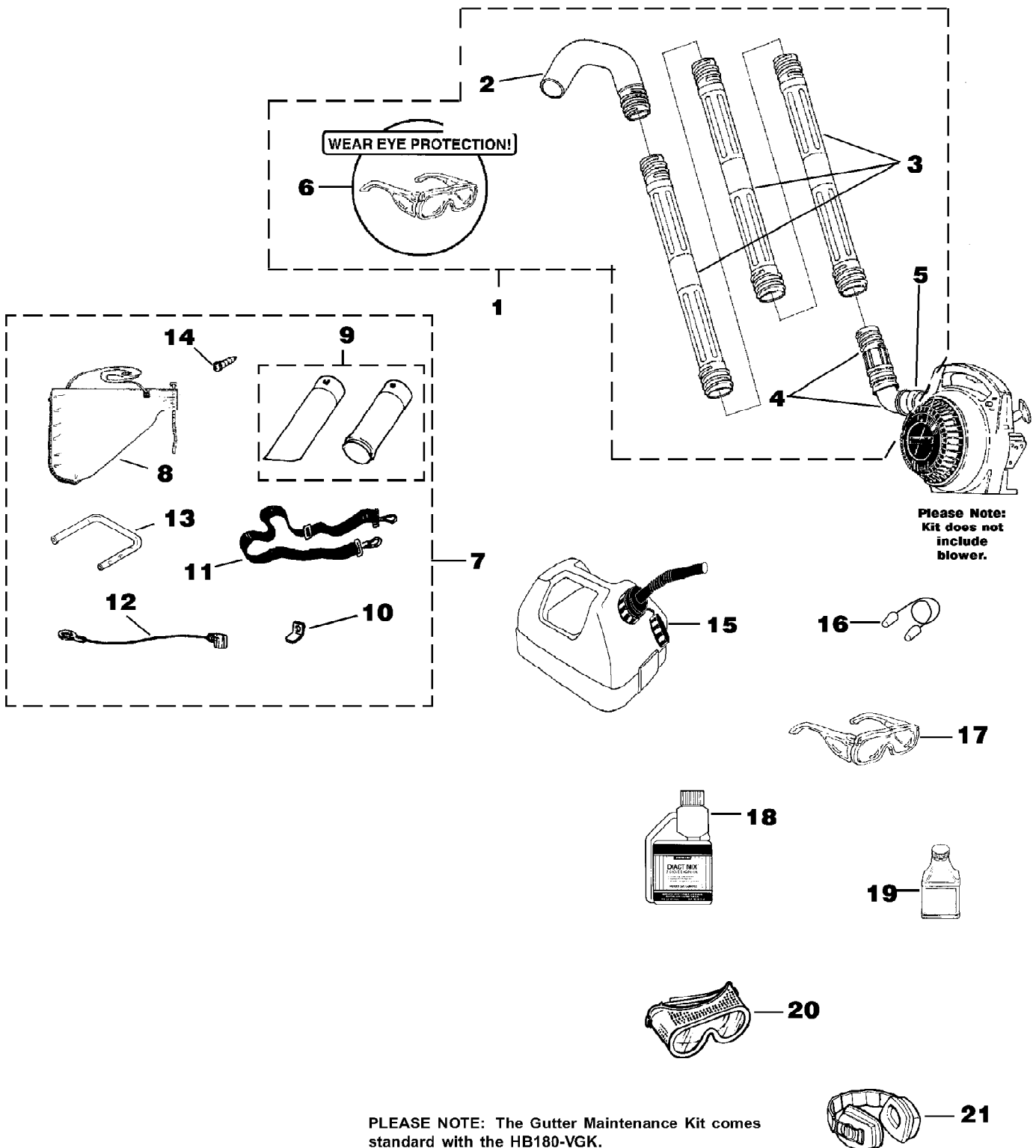
Ref #	Part Number	Qty	S/P/F	Description
A	UP04486	1	S/P	MUFFLER-Complete Includes items 1-11
1	UP03902	2	S	SCREW-Sems Hex Hd. (10-24 x 2 1/2") Torque Specs 40-50 In/Lbs, 4.5-5.6 Nm.
2	UP03810	1	S	MUFFLER COVER
3	UP03813	1	S	WASHER-Insulating
4	UP03901	1	S	WASHER-Flat
5	UP03814	1	S	SPRING-Compression
6	UP04289	1	S	DEFLECTOR-Muffler
7	UP03860	1	S	SPACER-Muffler
8	UP03815	1	S	SCREEN-Spark Arrestor
9	UP03918	1	S	PLATE-Reinforcing
10	UP04305	1	S	BODY-Muffler
11	UP03817	1	S/P	GASKET-Muffler Also included with Short block & Cylinder Kits.
12	UP03885	2	S	NUT-Hex (10-24) Torque Specs 30-40 In/Lbs, 3.4-4.5 Nm.
D	UP00011	1	/P	AIR FILTER KIT Includes items 13-14
13	UP00012	1	/P	AIR FILTER
14	UP03890	2	S/P	SCREW-Thd. Form. (#8-16 x 3/4") Torque Specs 30-40 In/Lbs, 3.4-4.5 Nm.



Ref #	Part Number	Qty	S/P/F	Description
1	UP03800	1	S	LATCH-Throttle
2	UP03811	1	S	SPRING-Throttle Latch
3	UP03798	1	S	TRIGGER-Throttle
4	UP03803	1	S	LEVER-Throttle
5	UP03406	4	S	SCREW-Thread Form. (10-24 X 3/4") Torque Specs 55-60 In/Lbs, 6.2-6.8 Nm.
6	UP03869	1	S	SCREW-Thread Form. (#10 X 1 5/8") Torque Specs 20-30 In/Lbs, 2.3-3.4 Nm.
E	UP06792	1	S/P	VOLUTE HOUSING & STARTER Includes items 7-17
7	UP03822	1	S	KIT-Sealing
8	UP04279	1	S	PLATE-Rotor
9	UP03894	1	S	SCREW-Thread Form. (#6 X 1 3/8") Torque Specs 8-12 In/Lbs, .9-1.4 Nm.
10	UP04276	1	S/P	GRIP-Starter
11	UP03910	1	S/P	BUSHING-Starter
12	UP03809	1	S	BUSHING-Starter Rope
13	UP03917	1	S	SPRING & CONTAINER
14	UP04349	1	S	PULLEY-Starter
15	UP03919	2	S	BRACKET-Retaining
16	UP03897	2	S	SCREW-Thread Form. (#10 X 1/2") Torque Specs 30-40 In/Lbs, 3.4-4.5 Nm.
17	UP03911	1	S	ROPE-Starter
18	UP03887	1	S/P	SCREW-Phil. Hd. (8-32 X 5/8") Torque Specs 20-30 In/Lbs, 2.3-3.4 Nm.
19	UP03900	6	S/P	SCREW-Thread Form. (10-24 X 3/4") Torque Specs 20-30 In/Lbs, 2.3-3.4 Nm.



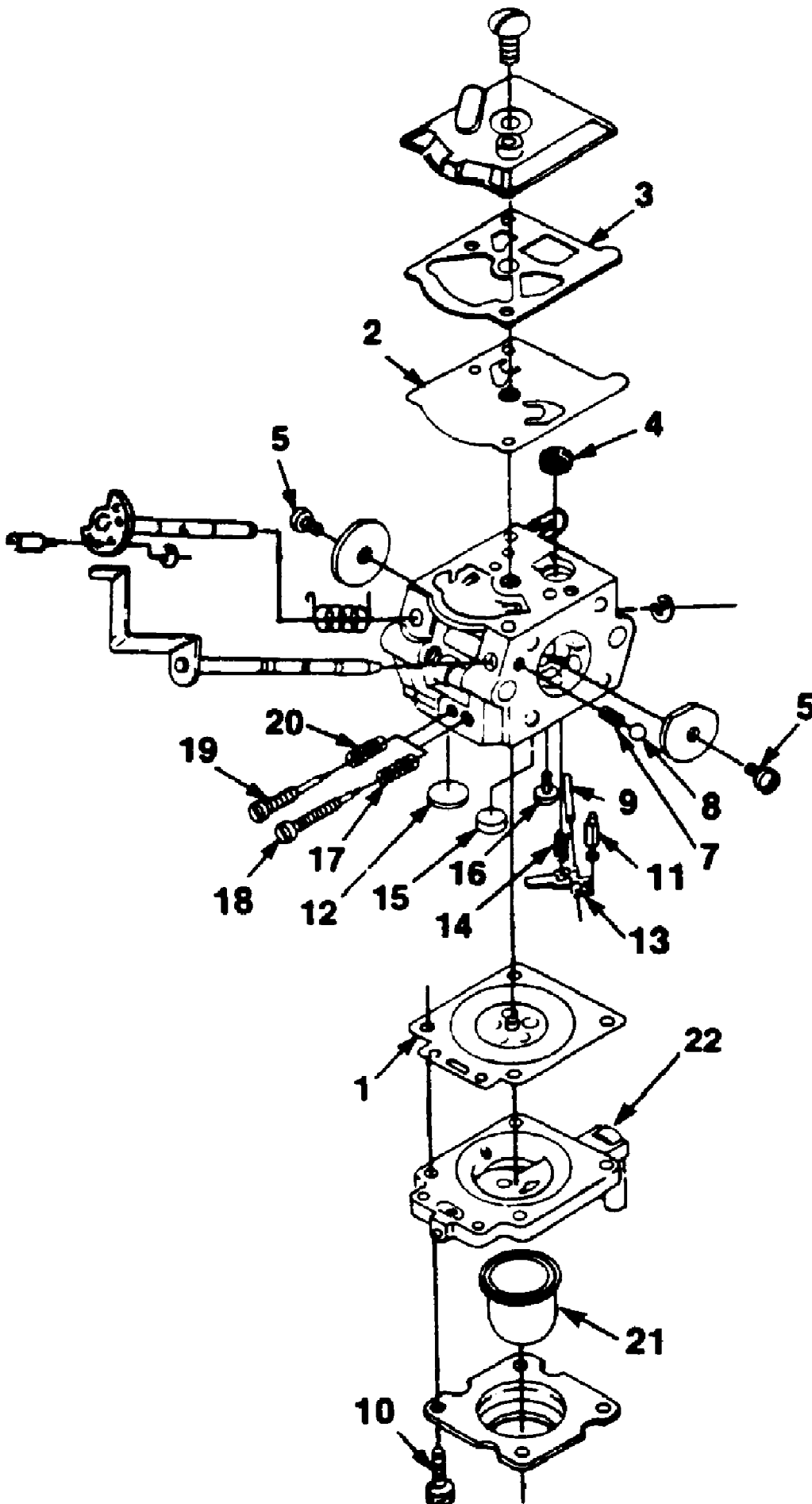
Ref #	Part Number	Qty	S/P/F	Description
1	UP05582	1	S/P	NOZZLE-Sweeper
2	UP03821	2	S/P	CLAMP
3	UP05582	1	S/P	BLOWER TUBE KIT Includes items 4-7
4	UP00876	1	S	TUBE-Elbow
5	UP00875	1		TUBE-Straight
6	UP00874	1	/P	TUBE-Upper
7	UP04299	4	S	CLIP-Push
8	UP03794	1	S/P	HANDLE & SWITCH KIT Includes items 9-12
9	UP04302	1	S	ELECTRICAL LEAD w/Terminal
10	UP03833	1	S/P	SWITCH
11	UP04300	1	S	HANDLE-Control (Right)
12	UP04301	1	S	HANDLE-Control (Left)
13	UP03886	1	S/P	NUT - Wing (10-24)
14	UP04346	1	S/P	TRIGGER
15	UP03908	1	S	LATCH-Trigger
16	UP03892	1	S	BOLT-Rib Neck, Rnd. Hd. (10-24 X 7/8")
17	UP03900	2	S/P	SCREW-Thread Form. (10-14 X 3/4") Torque Specs 20-30 In/Lbs, 2.3-3.4 Nm.
18	UP03819	1	S	CLAMP (#87)
19	UP03827	1	S	BELLOWS-Plastic
20	UP04568	1	S	CABLE-Tie
21	UP04297	1	S	ELBOW-Curved



BP250 Back Pack Blower UT-08017-B
Tubes - Accessories

Page 23 of 27

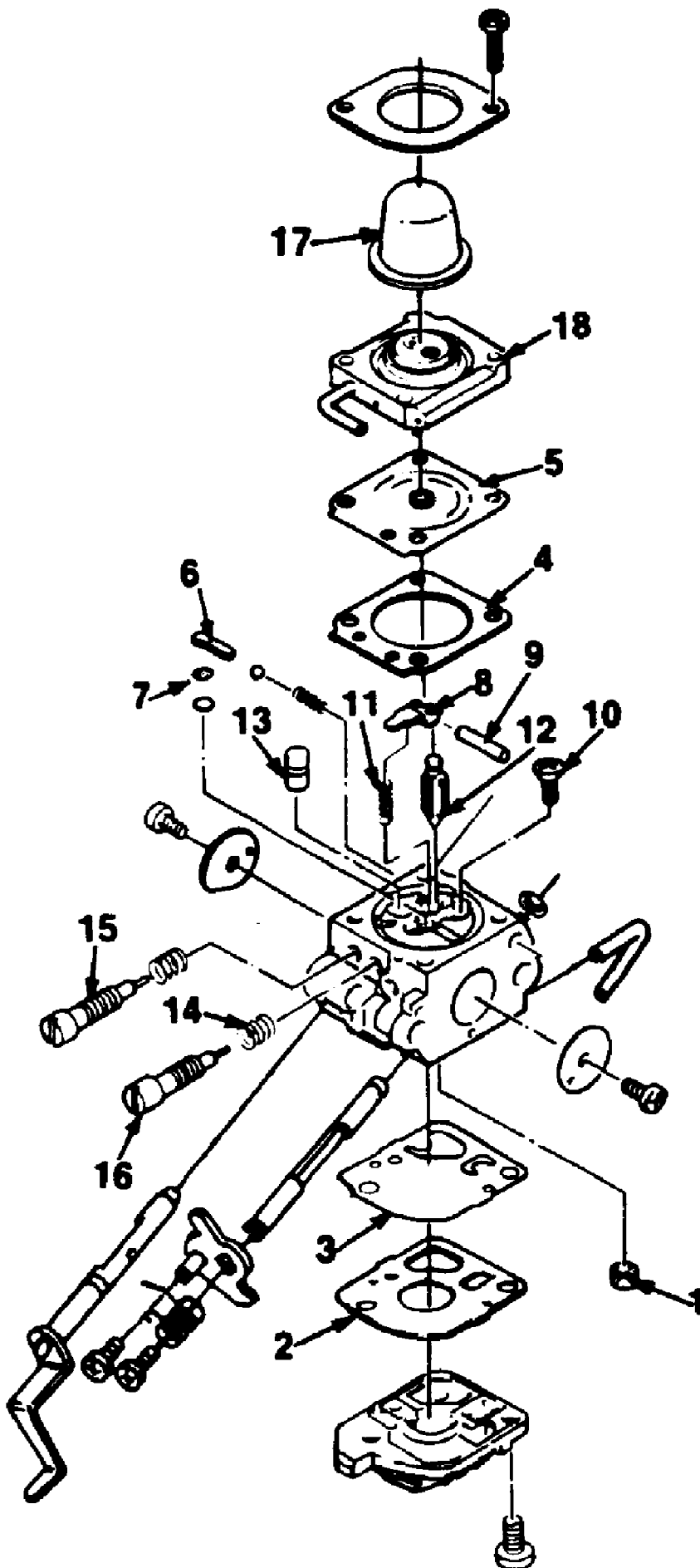
Ref #	Part Number	Qty	S/P/F	Description
1	A02514D	1	S	GUTTER MAINTENANCE KIT (HB100's, HB180's, HB25150, HB25150V, HB290's, HB390's); Includes items 2-6
2	UP06830	1	S	FULL ELBOW
3	UP05618	3	S	STRAIGHT TUBE
4	UP06836	1	S	UPPER ELBOW & SWIVEL ADAPTER
5	UP03821	1	S/P	CLAMP w/Fasteners
6	UP06835	1	S	SAFETY GLASSES-Clear
7	UP04152	1	S/P	VACUUM KIT (HB180's, HB25150, HB25150V, HB290's, HB390's); Includes items 8-14
8	UP04548	1	S/P	LEAF BAG
9	UP06705	1	S	VACUUM TUBE KIT w/ Decal
10	UP03834	1	S	TAB-Male
11	UP06723	1	S/P	HARNESS-Shoulder
12	UP03823	1	S	LEAD-Ground
13	UP03816	1	S	HANDLE
14	UP03889	1	S	SCREW
15	A02976A	1		GAS CAN 1 1/4 Gallon
16	UP06839	1		EAR PLUGS
17	UP06835	1	S	SAFETY GLASSES-Clear
18	01231D	1	S	EXACT MIX(TM) Oil - 1 pint (50:1)
19	08581	1	S/P	EXACT MIX(TM) Oil - 2.6 oz. (50:1)
20	UP06778	1		GOGGLES
21	UP07694	1		EAR PROTECTORS



BP250 Back Pack Blower UT-08017-B
Walbro Carburetor

Page 25 of 27

Ref #	Part Number	Qty	S/P/F	Description
1	A00285	1		GASKET KIT
2	A00285	1		GASKET KIT
3	A00285	1		GASKET KIT
4	A02620	1		REPAIR KIT
5	A02620	1		REPAIR KIT
	A02620	1		REPAIR KIT
7	A02620	1		REPAIR KIT
8	A02620	1		REPAIR KIT
9	A02620	1		REPAIR KIT
10	A02620	1		REPAIR KIT
11	A02620	1		REPAIR KIT
12	A02620	1		REPAIR KIT
13	A02620	1		REPAIR KIT
14	A02620	1		REPAIR KIT
15	A02620	1		REPAIR KIT
16	A02620	1		REPAIR KIT
17	A02620	1		REPAIR KIT
18	A02620	1		REPAIR KIT
19	A02620	1		REPAIR KIT
20	A02620	1		REPAIR KIT
21	01201	1	S	PRIMER BULB
22	A01199	1		PRIMER BASE KIT



Ref #	Part Number	Qty	S/P/F	Description
1	A01198A	1		REPAIR KIT
2	A01198A	1		REPAIR KIT
	A01197A	1		GASKET/DIAPHRAGM KIT
3	A01198A	1		REPAIR KIT
	A01197A	1		GASKET/DIAPHRAGM KIT
4	A01198A	1		REPAIR KIT
	A01197A	1		GASKET/DIAPHRAGM KIT
5	A01198A	1		REPAIR KIT
	A01197A	1		GASKET/DIAPHRAGM KIT
6	A01198A	1		REPAIR KIT
7	A01198A	1		REPAIR KIT
8	A01198A	1		REPAIR KIT
9	A01198A	1		REPAIR KIT
10	A01198A	1		REPAIR KIT
11	A01198A	1		REPAIR KIT
12	A01198A	1		REPAIR KIT
13	A01198A	1		REPAIR KIT
14	A01198A	1		REPAIR KIT
15	A01198A	1		REPAIR KIT
16	A01198A	1		REPAIR KIT
17	A01195A	1	S	PRIMER BULB KIT
18	A01196A	1		PRIMER BASE KIT