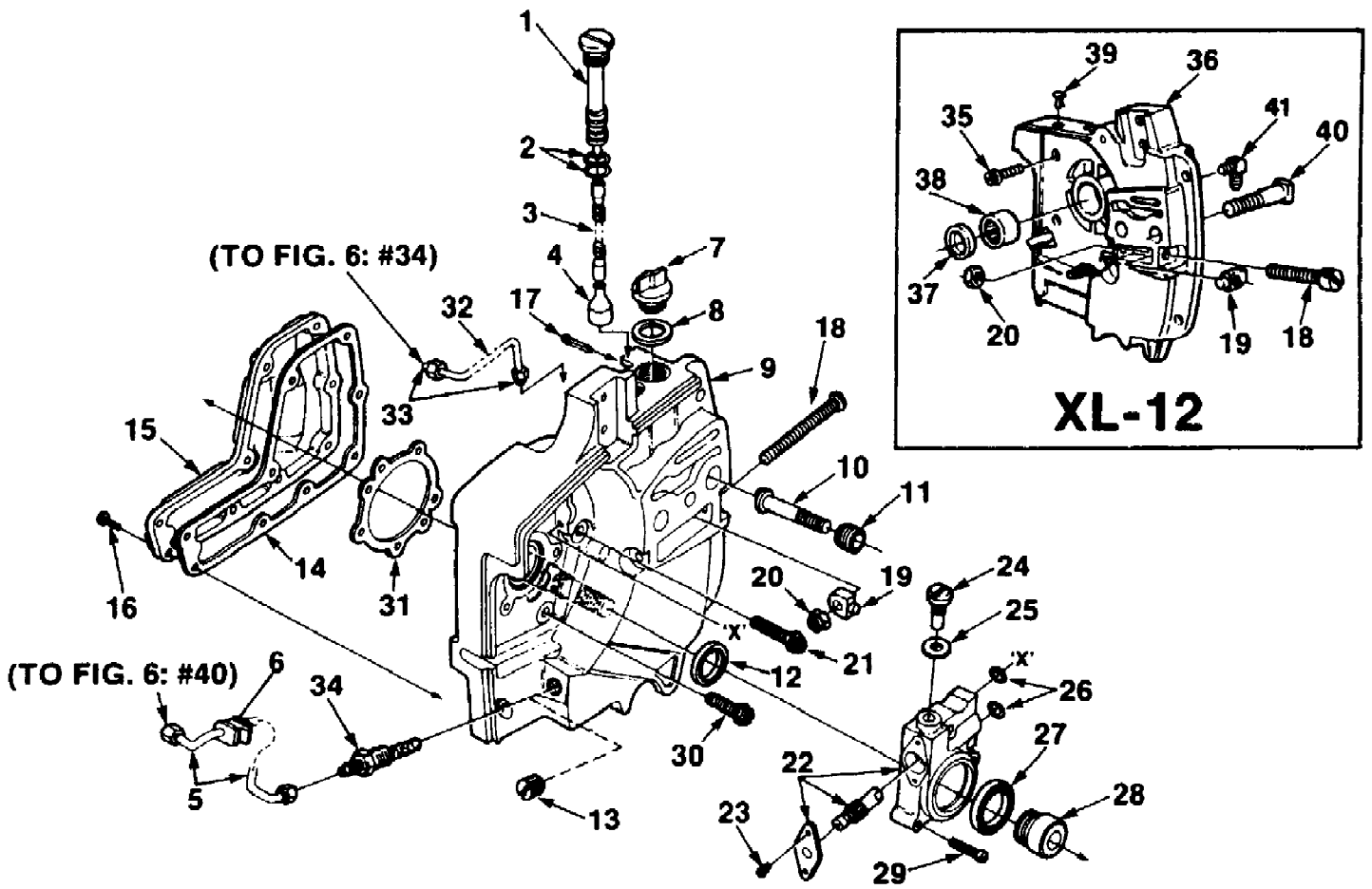


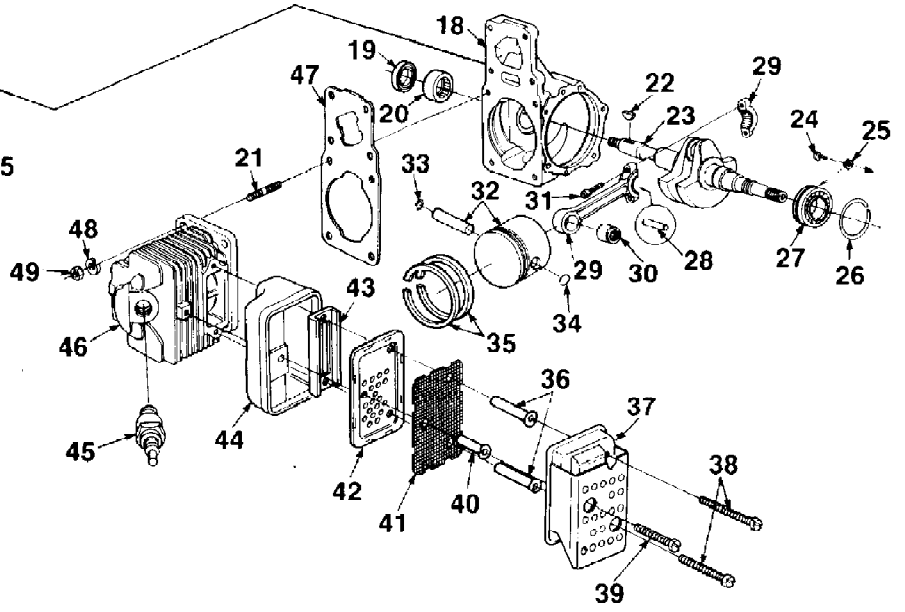
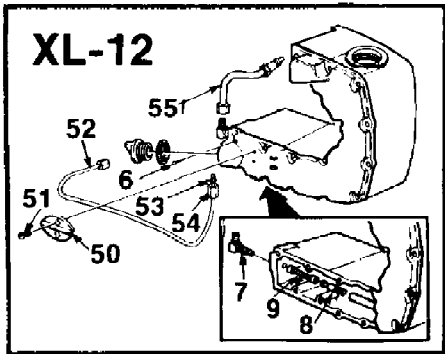
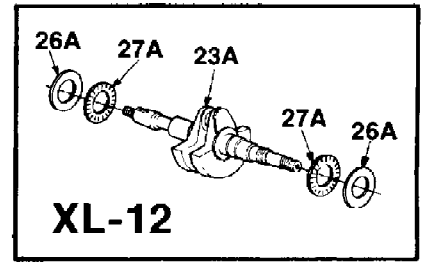
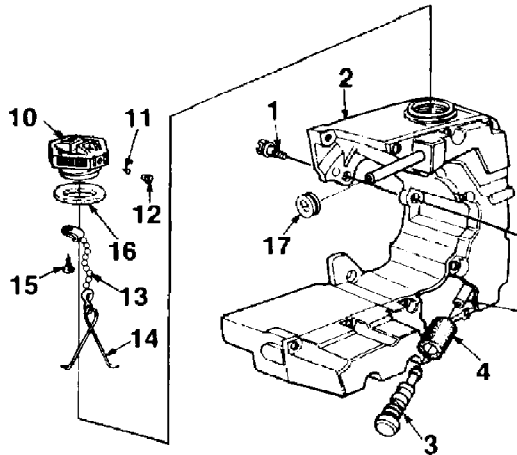
| Ref # | Part Number | Qty | S/P/F | Description                      |
|-------|-------------|-----|-------|----------------------------------|
| 1     | 59274       | 1   |       | GASKET- Spacer                   |
| 2     | 59718       | 1   |       | SPACER                           |
| 3     | 63260A      | 1   | S     | RETAINER- Reed valve             |
| 4     | 63253       | 1   |       | SEAT- Reed valve                 |
| 5     | 59678B      | 4   | S     | VALVE- Reed                      |
| 6     | 59722       | 1   |       | GASKET- Carburetor               |
| 7     | 7031037     | 1   | F     | LINE- Fuel 9 1/4"                |
| 8     | A68371B     | 1   |       | CARBURETOR- Walbro (SDC-62)      |
|       | A68363BS    | 1   | /P    | CARBURETOR- Tillotson (HS-179-B) |
|       | A94953      | 1   |       | CARBURETOR- Zama (#20-20)        |
| 9     | 68279       | 1   |       | GROMMET                          |
| 10    | 86324       | 1   | /P    | PIN- Cotter                      |
| 11    | 5877312     | 1   | S     | COVER-Air filter                 |
| 12    | A65272      | 1   | S     | NUT- Air filter cover            |
| 13    | 58319A      | 1   | /P    | RING- Retaining                  |
| 14    | 63589A      | 1   | S/P   | ELEMENT- Air filter              |
| 15    | A59822B     | 1   | /P    | BRACKET- Mounting                |
| 16    | 681301      | 1   |       | ROD- Choke                       |
| 17    | 58362       | 1   |       | GROMMET                          |
| 18    | 59763       | 1   |       | ROD- Throttle                    |
| 19    | 80891       | 5   | /P    | SCREW- Hex 12-24 x 7/8           |
| 20    | 83046       | 2   |       | WASHER- Lock #10                 |
| 21    | 80921       | 2   |       | SCREW- Hex 10-32 x 2 11/16       |
| 22    | 95671       | 1   | S     | PIN- Throttle latch              |
| 23    | 58405       | 1   |       | SPRING- Throttle latch           |
| 24    | A592131A    | 1   | S     | COVER- Throttle handle           |
|       | 67752       | 1   |       | Bushing- Pin (Not shown)         |
| 25    | 80560       | 2   | /P    | SCREW- Pan 8-32 x 1/2            |
| 26    | 58859       | 1   | S     | TRIGGER- Throttle                |
| 27    | 58409       | 1   | /P    | RING- Retaining                  |
| 28    | A93926      | 1   |       | THROTTLE HANDLE                  |
| 29    | 63290       | 1   |       | WASHER- Felt                     |
| 30    | 86301       | 1   |       | PIN- Cotter                      |
| 31    | 67634       | 1   |       | BOOT- Throttle rod               |
| 32    | 63303       | 1   |       | PLUG                             |
| 33    | 93209       | 1   | S     | SHIELD- Spark plug               |
| 34    | 94142       | 1   |       | PIN                              |
| 35    | A59011      | 1   |       | VALVE- Check                     |
| 36    | 63302B      | 1   | /P    | SCREW- Idle                      |
| 37    | 59770       | 1   | S     | GROMMET- Hi-Lo                   |
| 38    | A93783      | 1   | S     | PLUNGER- Spring                  |
| 39    | 59293       | 1   | /P    | SPRING- Compression              |
| 40    | 74388       | 1   | S     | "O" RING                         |
| 42    | 96479       | 1   |       | LABEL- Homelite                  |



XL12 Chain Saw UT-10080-C  
Drive Case & Oil Pump

Page 4 of 22

| Ref # | Part Number | Qty | S/P/F | Description                |
|-------|-------------|-----|-------|----------------------------|
| 7     | A63717C     | 1   | /P    | CAP- Filler oil            |
| 8     | 56607       | 1   | /P    | GASKET                     |
| 18    | 63225       | 1   | /P    | SCREW- Guide bar adjusting |
| 19    | 93039       | 1   | /P    | PIN- Bar adjusting         |
| 20    | 81204       | 1   | /P    | NUT- Lock, 1/4-20          |
| 30    | 80899       | 4   |       | SCREW- Hex 12-24 x 9/16    |
| 31    | 63355       | 1   | S     | GASKET- Crankcase          |
| 35    | 80899       | 5   |       | SCREW- (12-24 x 9/16)      |
| 36    | A58925E     | 1   |       | DRIVECASE                  |
| 37    | 12282A      | 1   | S     | SEAL                       |
| 38    | 58956       | 1   | /P    | BEARING- Needle            |
| 39    | 94242       | 1   |       | PLUG- Button               |
| 40    | 67485       | 2   |       | BOLT- Guide bar            |
| 41    | 56707       | 1   |       | FITTING- Tube elbow (90    |



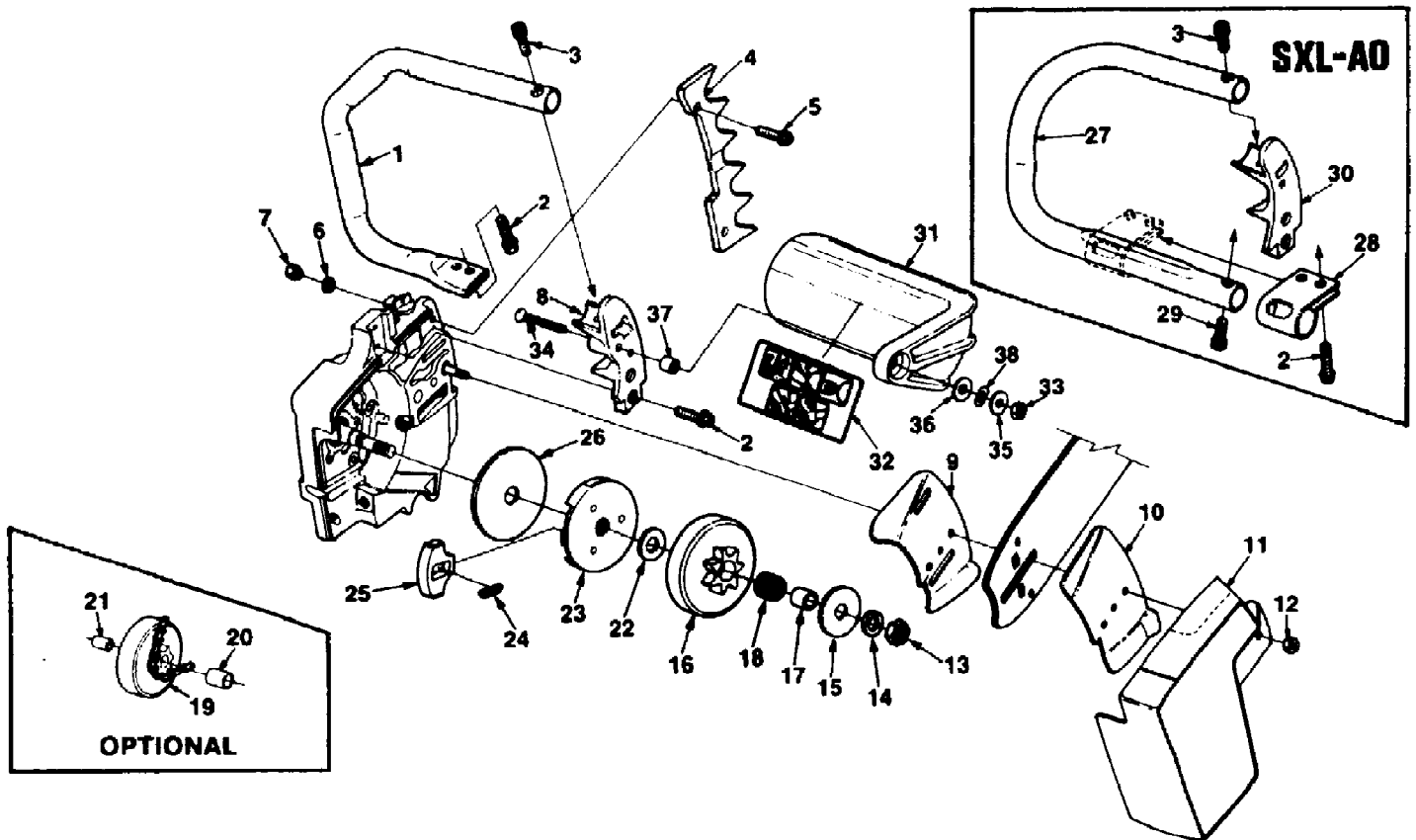
| Ref # | Part Number | Qty | S/P/F | Description                    |
|-------|-------------|-----|-------|--------------------------------|
| 1     | 63407       | 3   | /P    | SCREW- Shoulder                |
| 2     | A63898B     | 1   | /P/F  | TANK- Fuel                     |
| 3     | A69923      | 1   | S     | FILTER- Fuel                   |
| 4     | 64083       | 1   |       | FELT- Filter                   |
| 5     | 7031037     | 1   |       | TUBING- Fuel 9 1/4"            |
| 6     | 86301       | 1   |       | PIN- Cotter (Manual)           |
| 7     | A59010      | 1   |       | VALVE- Inlet check (Manual)    |
|       | 25527       | 1   |       | BALL (Not shown)               |
| 8     | A59009A     | 1   |       | FILTER- Oil (Manual)           |
| 9     | 59000       | 1   |       | LINE- Pick-up (Manual)         |
| 10    | A69500A     | 1   | S     | CAP- Fuel filler               |
| 11    | 69451       | 1   | /P    | VALVE- Check                   |
| 12    | 69454       | 1   | /P    | FILTER- Fuel cap               |
| 13    | 69502       | 1   |       | CHAIN- Bead                    |
| 14    | 96535       | 1   | /P    | RETAINER                       |
| 15    | 82256A      | 1   | /P    | SCREW- Pan hd. #6 x 1/4        |
| 16    | 69501       | 1   | /P    | GASKET- Fuel filler cap        |
| 17    | 68046       | 1   |       | GROMMET                        |
| 18    | A65736      | 1   | /P    | CRANKCASE                      |
| 19    | 12282A      | 1   | S     | SEAL                           |
| 20    | 58956       | 1   | /P    | BEARING                        |
| 21    | 55871       | 4   | S     | STUD                           |
| 22    | 75078       | 1   |       | KEY- Woodruff                  |
| 23A   | 634971      | 1   | /P    | CRANKSHAFT                     |
| 26A   | 58725       | 1   |       | RACE- Needle thrust            |
| 27A   | 58726       | 1   |       | BEARING- Needle thrust         |
| 28    | A69054      | 1   |       | ROLLER SET (31)                |
| 29    | A63477B     | 1   | /P    | ROD- Connecting                |
| 30    | 93369       | 1   |       | BEARING                        |
| 31    | 69919       | 2   | /P    | SCREW- Cap soc. hd.            |
| 32    | A58903C     | 1   |       | PISTON & PIN                   |
| 33    | 75120       | 1   | /P    | RING- Retaining                |
| 34    | 64813       | 1   | /P    | RING- Retaining                |
| 35    | 58877       | 2   |       | PISTON RING                    |
|       | A94219A     | 1   | F     | MUFFLER ASSEMBLY               |
| 36    | 9398301     | 2   |       | SPACER- Muffler                |
| 37    | A95988      | 1   | /P    | CAP- Muffler & Shield          |
| 38    | 94128       | 2   |       | SCREW- Hex hd. (12-24 x 2 1/4) |
| 39    | 94129       | 1   |       | SCREW- Hex hd. (12-24 x 1 7/8) |
| 40    | 9398302     | 1   |       | SPACER- Muffler                |
| 41    | 93979       | 1   |       | SCREEN- Spark arrestor         |
| 42    | 93980       | 1   |       | BAFFLE- Muffler                |
| 43    | 94133A      | 1   |       | PLATE- Muffler                 |
| 44    | 93981       | 1   |       | BODY- Muffler                  |
| 45    | 63710S      | 1   | S/P   | SPARK PLUG (CJ8)               |
| 46    | A69715      | 1   |       | CYLINDER                       |
| 47    | 59771       | 1   |       | GASKET- Cylinder               |
| 48    | 83061       | 4   | /P    | WASHER- Lock 1/4               |
| 49    | 96212       | 4   | /P    | NUT- 1/4-28                    |
| 50    | 59016       | 1   |       | PLATE- Retaining               |
| 51    | 80919       | 2   |       | SCREW- Pan hd. (4-40 x 1/4)    |
| 52    | A59012      | 1   |       | LINE- Oil                      |
| 53    | 25301       | 2   |       | SLEEVE- Compression (1/8)      |

XL12 Chain Saw UT-10080-C  
Engine Internals

Page 7 of 22

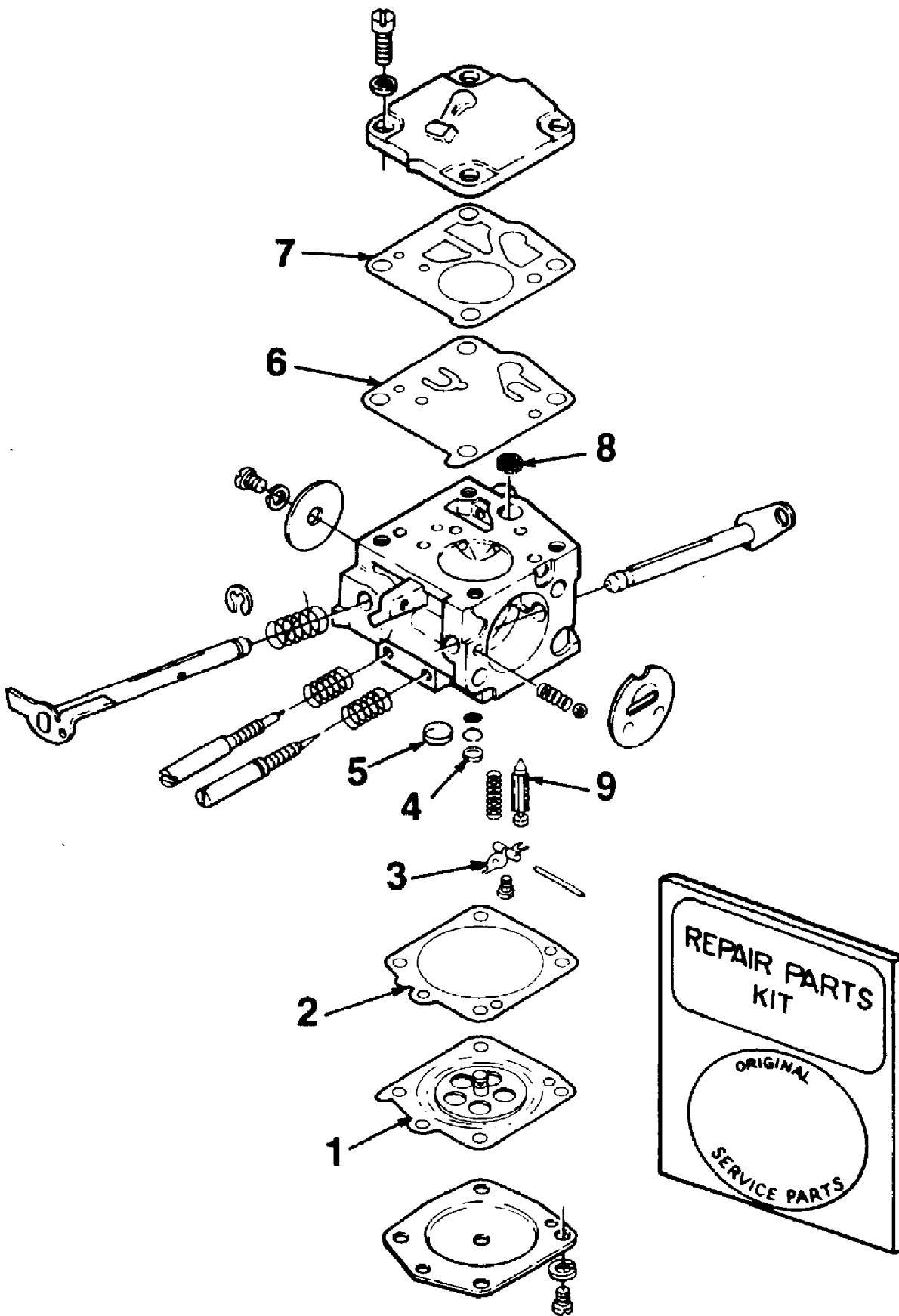
| Ref # | Part Number | Qty | S/P/F | Description                |
|-------|-------------|-----|-------|----------------------------|
| 54    | 25302       | 1   |       | NUT- Compression (5/16-24) |
| 55    | A94946      | 1   |       | LINE- Oil                  |

XL12 Chain Saw UT-10080-C  
Handles & Clutch



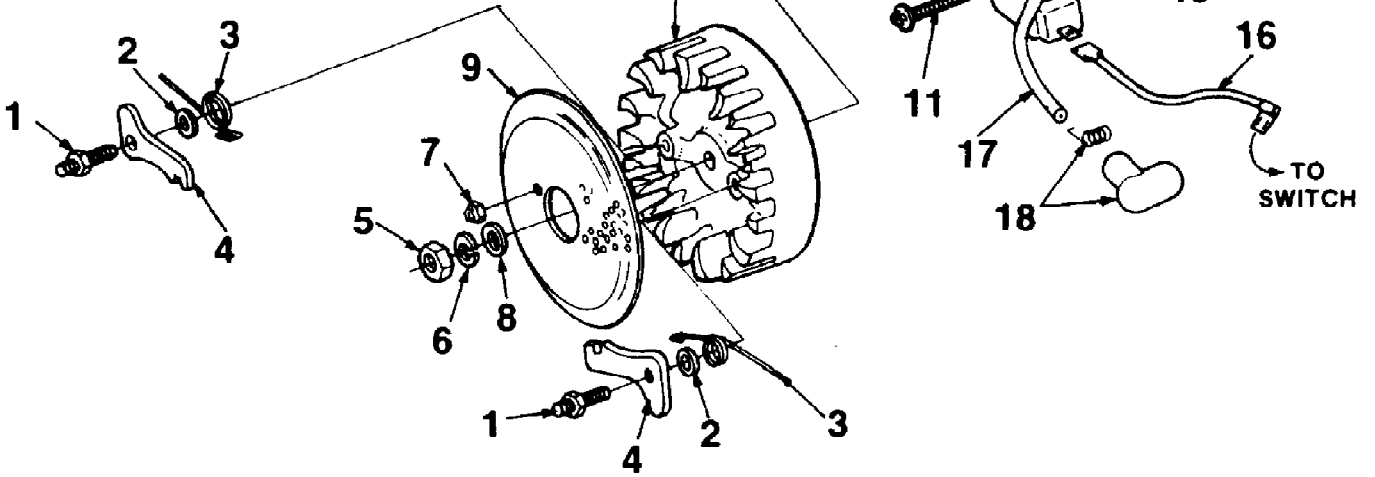
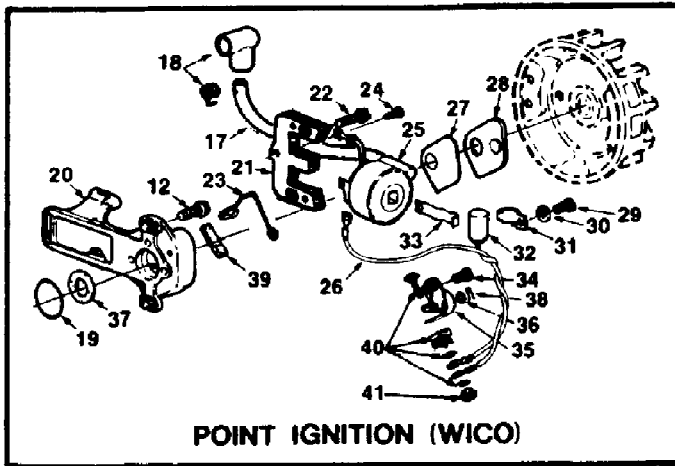


| Ref # | Part Number | Qty | S/P/F | Description   |
|-------|-------------|-----|-------|---|
| 1     | A58793B     | 1   |       | HANDLE BAR- Flush cut   |
| 2     | 80867       | 4   | /P    | SCREW- 12-24 x 3/4  |
| 3     | 804281      | 1   | S     | SCREW- Socket hd. 1/4-20 x 1  |
| 4     | DA59043     | 1   |       | BUMPER KIT- Spiked (Accessory)  |
| 5     | 80867       | 2   | /P    | SCREW- Hex 12-24 x 3/4  |
| 6     | 70901       | 2   | /P    | WASHER- Lock #12  |
| 7     | 81068       | 2   | /P    | NUT- Hex 12-24  |
| 8     | 592467      | 1   |       | BRACKET- Handle bar   |
|       | A70618      | 1   | /P    | KIT- Guide bar plate  |
| 9     | 70399       | 1   | S     | PLATE- Guide bar (inner)  |
| 10    | 70400       | 1   | S     | PLATE- Guide bar (outer)  |
| 11    | 5875016     | 1   | S     | COVER- Drivecase  |
| 12    | 810892      | 2   | /P    | NUT- Hex 3/8-16   |
| 13    | 81124       | 1   | S     | NUT- Lock 3/8-24  |
| 14    | 83018       | 1   | /P    | WASHER- Lock 3/8  |
| 15    | 65064       | 1   |       | WASHER- Thrust (outer)  |
| 16    | A95459      | 1   | F     | SPROCKET & DRUM 7 tooth (std.) 3/8,7 tooth                                  |
| 17    | 65746B      | 1   | S     | RACE- Inner   |
| 18    | 64124       | 1   | S     | BEARING- Roller   |
| 19    | A63346      | 1   |       | SPROCKET & DRUM (opt.) 3/8" pitch, 8T                                       |
|       | A59555      | 1   |       | .404 pitch, 7 T   |
| 20    | 72311       | 1   | F     | BEARING- Needle   |
| 21    | 55584       | 1   | F     | RACE- Inner   |
|       | A65990      | 1   |       | HUB & DRUM- "splined" (opt.) (used with index #17, 18, 22 and rim sprockets |
|       | 95058       | 1   | F     | SPROCKET- Splined rim typed 3/8" 7 T  |
|       | 63285       | 1   | F     | .404 pitch, 7 tooth   |
| 22    | 58833       | 1   | /P    | WASHER- Thrust (inner)  |
|       | A69480C     | 1   | /P    | CLUTCH & COVER  |
| 23    | 657601B     | 1   | /P    | PLATE- Clutch   |
| 24    | 67053       | 3   |       | SPRING- Clutch  |
| 25    | 69461       | 3   |       | SHOE- Clutch  |
| 26    | 95054       | 1   | S     | COVER- Clutch   |
| 31    | A95088      | 1   |       | GUARD- Hand   |
| 32    | 96990       | 1   |       | DECAL   |
| 33    | 81225       | 1   | /P    | NUT- 12/24  |
| 34    | 82223       | 4   |       | SCREW- (12-24 x 1 1/4)  |
| 35    | 95935       | 1   | /P    | WASHER (5/16)   |
| 36    | 84065       | 1   | S     | WASHER  |
| 37    | 95937       | 1   |       | SPACER  |
| 38    | 96757       | 1   |       | WASHER- Spring wave   |

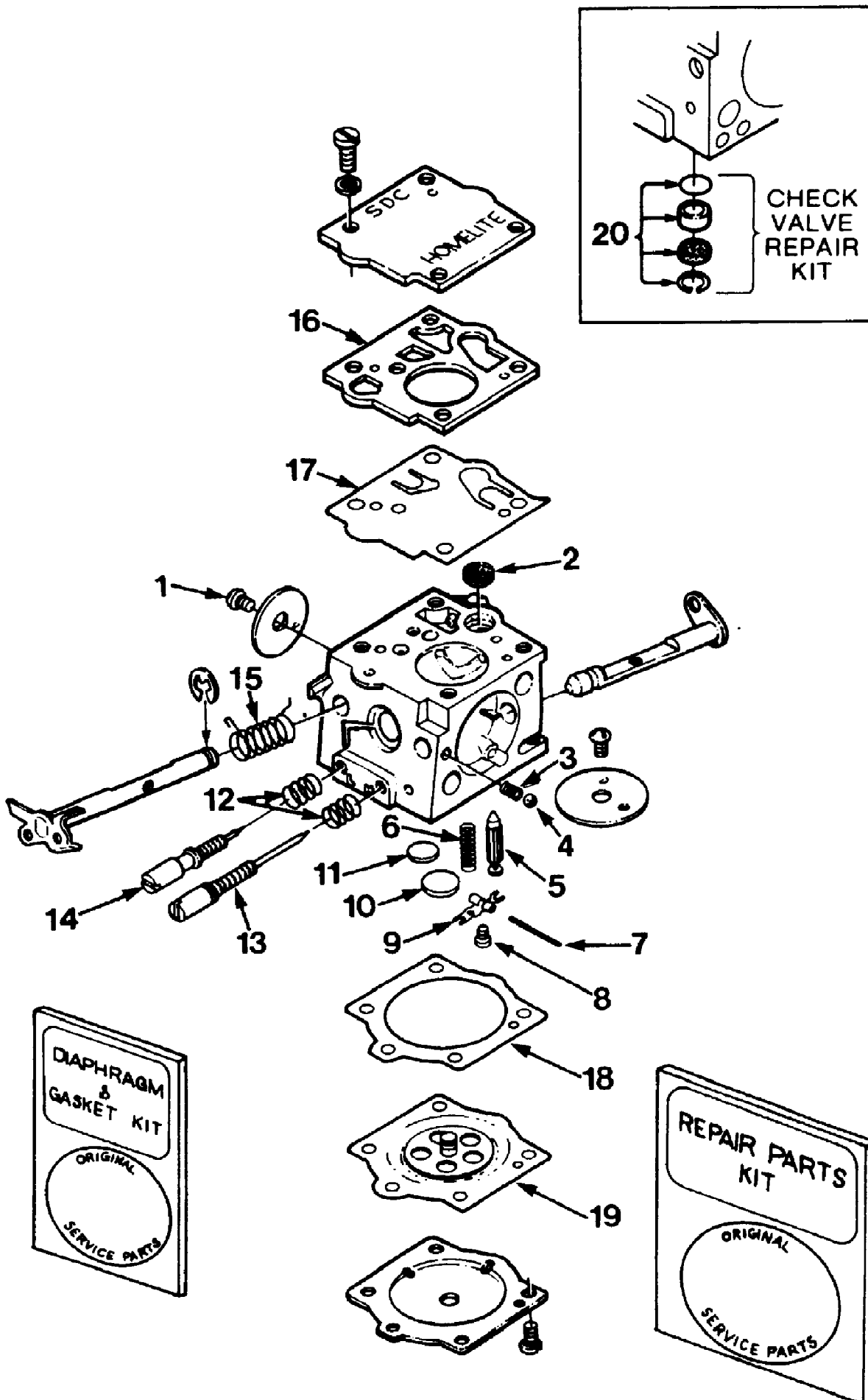


XL12 Chain Saw UT-10080-C  
HS-179-B Carburetor

| Ref # | Part Number | Qty | S/P/F | Description |
|-------|-------------|-----|-------|-------------|
| 1     | 95698       | 1   | /P    | Repair Kit  |
| 2     | 95698       | 1   | /P    | Repair Kit  |
| 3     | 95698       | 1   | /P    | Repair Kit  |
| 4     | 95698       | 1   | /P    | Repair Kit  |
| 5     | 95698       | 1   | /P    | Repair Kit  |
| 6     | 95698       | 1   | /P    | Repair Kit  |
| 7     | 95698       | 1   | /P    | Repair Kit  |
| 8     | 95698       | 1   | /P    | Repair Kit  |
| 9     | 95698       | 1   | /P    | Repair Kit  |



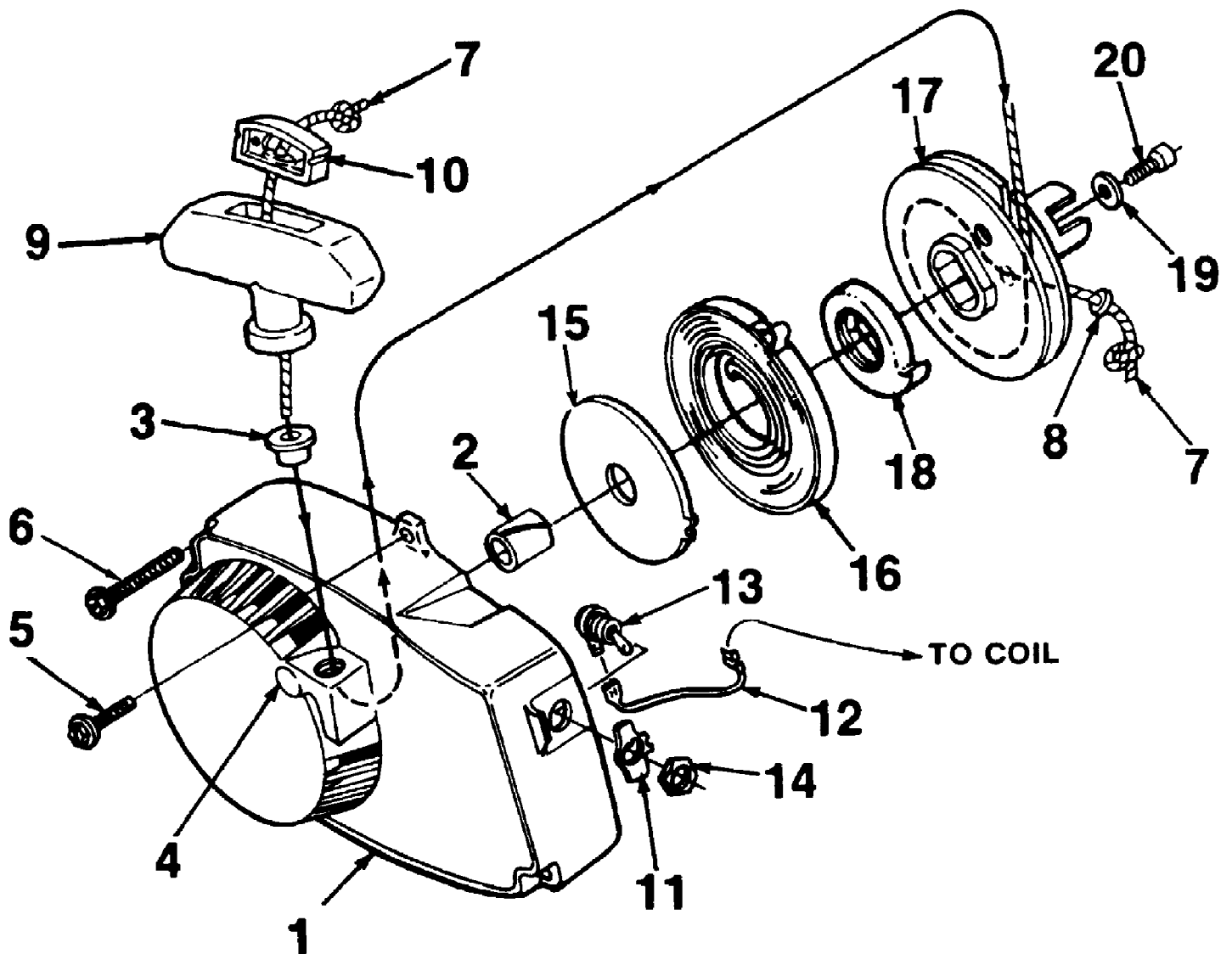
| Ref # | Part Number | Qty | S/P/F | Description                                |
|-------|-------------|-----|-------|--|
| 1     | 58757E      | 2   | /P    | STUD- Shoulder                             |
| 2     | 70901       | 2   | /P    | WASHER- Lock                               |
| 3     | 653752      | 2   | S     | SPRING- Starter pawl                       |
| 4     | 58756       | 2   | S     | PAWL- Starter                              |
| 5     | 81117       | 1   | /P    | NUT- Hex (5/16-24)                         |
| 6     | 83002       | 1   | /P    | WASHER- Lock (5/16)                        |
| 7     | 81206       | 2   | S/P   | NUT- Center lock (#10-32)                  |
| 8     | 84056       | 1   | S     | WASHER- Flat (5/16)                        |
| 9     | 58765       | 1   |       | SCREEN- Starter                            |
| 10    | 70639       | 1   | /P    | ROTOR- Magneto                             |
| 11    | 82248       | 2   |       | SCREW- Hex washer hd. (8-32 x 3/4)         |
| 12    | 80899       | 3   |       | SCREW- Hex hd. (12-24 x 9/16)              |
| 13    | 943261      | 1   | /P    | PLATE- Ignition coil mtg. (Solid state)    |
| 14    | 75078       | 1   |       | KEY- Rotor (woodruff)                      |
| 15    | A94605S     | 1   | S     | MODULE & CORE (Solid state)                |
| 16    | A94850      | 1   | /P    | LEAD- Ground (Solid state)                 |
|       | A59031      | 1   |       | LEAD- Ground (Point ignition)              |
| 17    | 58966       | 1   |       | LEAD- High tension                         |
| 18    | A33055      | 1   | /P    | TERMINAL- High tension                     |
| 19    | 59538       | 1   |       | GASKET- Stator (point ignition)            |
| 20    | A94556      | 1   |       | BOX- Breaker (point ignition)              |
| 21    | 93098       | 1   |       | CORE                                       |
| 22    | 82248       | 2   |       | SCREW- Hex washer hd. (8-32 x 3/4)         |
| 23    | 76413       | 1   |       | CLIP- Breaker box cover (point ignition)   |
| 24    | 64090       | 1   |       | SCREW- Terminal (point ignition)           |
| 25    | A94325      | 1   | /P    | COIL- with lead (point ignition)           |
| 26    | 93095       | 1   |       | LEAD                                       |
| 27    | 58810       | 1   |       | GASKET- Breaker box cover (point ignition) |
| 28    | 58811       | 1   |       | COVER- Breaker box (point ignition)        |
| 29    | 30261       | 1   |       | SCREW- Hd. (8-32 x 5/16) (point ignition)  |
| 30    | 83060       | 2   | S     | WASHER- Lock (point ignition)              |
| 31    | 59622       | 1   |       | CLAMP- Condenser (point ignition)          |
| 32    | 63250A      | 1   | S     | CONDENSER (point ignition)                 |
| 33    | 63726       | 1   |       | CLIP- Coil retaining (point ignition)      |
| 34    | 76421       | 1   |       | SCREW- Contact plate (point ignition)      |
| 35    | A58914A     | 1   | /P    | POINTS- Breaker (point ignition)           |
| 36    | 28028       | A/R |       | WASHER- Plain                              |
| 37    | 59760       | 1   |       | SEAL- Felt                                 |
| 38    | 28008       | 1   |       | CLIP                                       |
| 39    |             | 1   |       | CAM- Felt                                  |
| 40    | A68162      | 1   |       | BLOCK- Terminal (point ignition)           |
| 41    | 93099       | 1   |       | NUT- Connection stud                       |



XL12 Chain Saw UT-10080-C  
SDC-62 Carburetor

Page 15 of 22

| Ref # | Part Number | Qty | S/P/F | Description            |
|-------|-------------|-----|-------|------------------------|
| 1     | 67020       | 1   |       | Repair Kit             |
| 2     | 67020       | 1   |       | Repair Kit             |
| 3     | 67020       | 1   |       | Repair Kit             |
| 4     | 67020       | 1   |       | Repair Kit             |
| 5     | 67020       | 1   |       | Repair Kit             |
|       | 64229       | 1   | S     | Inlet Needle           |
| 6     | 67020       | 1   |       | Repair Kit             |
| 7     | 67020       | 1   |       | Repair Kit             |
| 8     | 67020       | 1   |       | Repair Kit             |
| 9     | 67020       | 1   |       | Repair Kit             |
| 10    | 67020       | 1   |       | Repair Kit             |
| 11    | 67020       | 1   |       | Repair Kit             |
| 12    | 67020       | 1   |       | Repair Kit             |
| 13    | 67020       | 1   |       | Repair Kit             |
| 14    | 67020       | 1   |       | Repair Kit             |
| 15    | 67020       | 1   |       | Repair Kit             |
| 16    | 67020       | 1   |       | Repair Kit             |
|       | 70811       | 1   |       | Diaphragm & Gasket Kit |
| 17    | 67020       | 1   |       | Repair Kit             |
|       | 70811       | 1   |       | Diaphragm & Gasket Kit |
| 18    | 67020       | 1   |       | Repair Kit             |
|       | 70811       | 1   |       | Diaphragm & Gasket Kit |
| 19    | 67020       | 1   |       | Repair Kit             |
|       | 70811       | 1   |       | Diaphragm & Gasket Kit |
| 20    | 93910A      | 1   |       | Check Valve Kit        |





XL12 Chain Saw UT-10080-C  
Starter

Page 17 of 22

| Ref # | Part Number | Qty | S/P/F | Description                   |
|-------|-------------|-----|-------|-------------------------------|
| 1     | A64518      | 1   | S     | HOUSING- Fan                  |
| 2     | 64443       | 1   | /P    | BUSHING- Starter              |
| 3     | 67177       | 1   |       | BUSHING- Rope                 |
| 4     | 59067       | 1   |       | DRIVE- Stud                   |
| 5     | 80899       | 1   |       | SCREW- Hex 12-24 x 9/16       |
| 6     | 58963       | 3   |       | SCREW- Hex 12-24 x 1 1/16     |
| 7     | A93875      | 1   | S     | ROPE- Starter 48" long #5     |
| 8     | 93862       | 1   | /P    | WASHER- Flat (nylon)          |
| 9     | A69962B     | 1   | /P    | GRIP- Starter rope            |
| 10    | 70018A      | 1   | /P    | INSERT                        |
| 11    | 95231       | 1   | S     | PLATE-"On-Off"                |
| 12    | A94850      | 1   | /P    | LEAD- Ground (solid state)    |
|       | A59031      | 1   |       | LEAD- Ground (point ignition) |
| 13    | 96831       | 1   | /P    | SWITCH & LEAD                 |
| 14    | 72084A1     | 1   | S     | NUT                           |
| 15    | 59638B      | 1   | /P    | SHIELD- Spring (inner)        |
| 16    | A94842      | 1   | /P/F  | SPRING- Recoil                |
| 17    | A64446      | 1   | /P    | PULLEY- Starter               |
| 18    | 94827       | 1   | S     | BUSHING- Spring               |
| 19    | 58763       | 1   |       | WASHER- Retainer              |
| 20    | 80648       | 1   | /P    | SCREW- Hex 10-32 x 1/2        |

| TOOLS FOR XL-12  |          |
|--|----------|
| DESCRIPTION  | PART NO. |
| PLIERS- Piston snap ring                               | 22828    |
| PLUG- Bearing assembly & disassembly                   | 23756    |
| PLUG- Bearing assembly & disassembly Drive & Crankcase | 23757    |
| PLUG- Seal assembly-drive & crankcase                  | 23758    |
| PLUG- Piston pin removal                               | A-23949  |
| Includes:  |          |
| "O" RING   | 67900    |
| PULLER- Magneto remover                                | A-24290  |
| SLEEVE- Seal protecting-crankcase                      | 23759    |
| SLEEVE- Seal installation-drive and crankcase          | 23800    |
| WRENCH- Hex socket screw (conn rod)                    | 23528    |
| WRENCH- Spanner to assembly & disassemble clutch       | A-23934  |
| Includes:  |          |
| PIN  | 23954    |
| WRENCH- Socket   | 68651    |
| SCREWDRIVER  | 24541    |
| TOOL- Clutch removal (for clutch conversion kit)       | A-17146  |

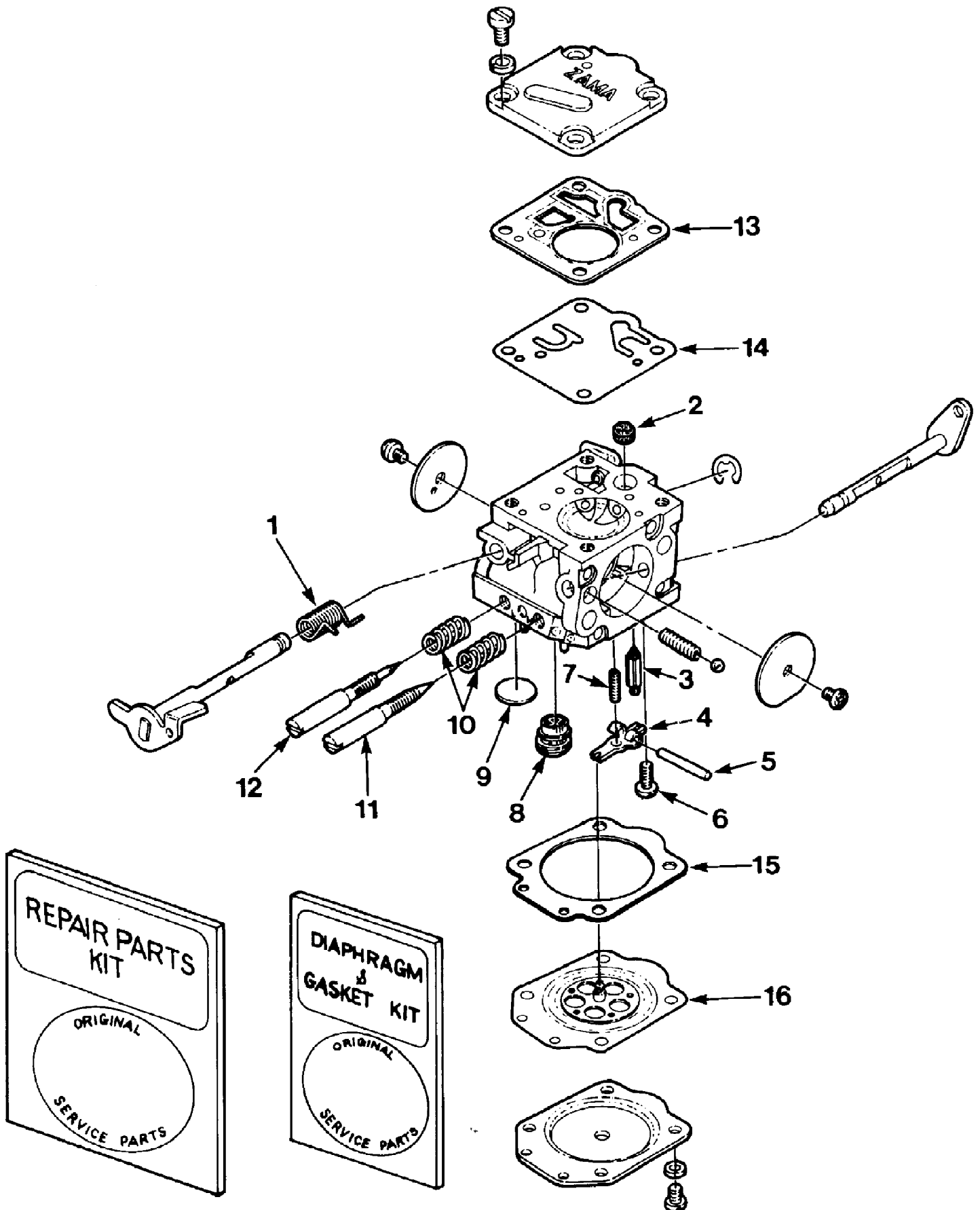
| TOOLS FOR THE SXL-AO                             |          |
|--|----------|
| DESCRIPTION                                      | PART NO. |
| ANVIL- Crankshaft                                | 23846-4  |
| COLLAR- Ball bearing installation                | 22820-1  |
| DRIVER- Check valve (for SDC carburetor)         | 24173    |
| JACKSCREW  | A-23137  |
| PLIERS- Piston snap ring                         | 22828    |
| PLUG- Bearing assembly connecting rod            | 23756    |
| Drive & Crankcase                                | 23757    |
| PLUG- Seal assembly - drive & crankcase          | 23758    |
| PLUG- Seal installation Drivecase assembly       | 23845    |
| PLUG- Piston pin removal                         | A-23949  |
| Includes:  |          |
| "O" RING   | 67900    |
| PULLER- Magneto remover                          | A-24290  |
| SLEEVE- Bearing & Shaft installation             | 23884-A  |
| SLEEVE- Bearing & Shaft installation             | 23136-2A |
| SLEEVE- Seal protecting                          | 23844    |
| SLEEVE- Seal protecting crankcase                | 23759    |
| SLEEVE- Seal installation drivecase              | 23843    |
| SLEEVE- Seal installation drive & crankcase      | 23800    |
| WRENCH- Hex socket screw (connecting rod)        | 23528    |
| WRENCH- Spanner to assemble & Disassemble clutch | A-23934  |
| Includes:  |          |
| PIN  | 23954    |
| WRENCH- Socket                                   | 68651    |
| WRENCH- Insert                                   | A-24322  |
| SCREWDRIVER                                      | 24541    |
| TOOL- Clutch removal (for clutch conversion kit) | A-17146  |
| BIT- Driver torx 1/4" hex shank                  | 24982-01 |
| BIT- Driver torx 5/16" hex shank                 | 24982-02 |

| ACCESSORIES   |            | XL-12 | SXL-AO |
|---|------------|-------|--------|
| DESCRIPTION   | PART NO.   |       |        |
| CLUTCH- Conversion Kit (Lined)  | A-96745    | 1     | 1      |
| Includes:   |            |       |        |
| SHOE- Clutch  | A-93632-A  | 3     | 3      |
| SPIDER- Clutch  | 93639      | 3     | 3      |
| SPRING- Clutch  | 93814-A    | 3     | 3      |
| SPROCKET & DRUM   | A-95465    | 1     | 1      |
| THRUST WASHER   | 93643      | 1     | 1      |
| THRUST WASHER   | 93650      | 1     | 1      |
| THRUST WASHER   | 65064      | 1     | 1      |
| KIT- Manual oil pump (Prior to s/n 50440501)  | A-65868    |       | 1      |
| Includes:   |            |       |        |
| BUTTON  | 57289-1    |       | 1      |
| LINE- Oil   | A-59819    |       | 1      |
| Includes:   |            |       |        |
| GROMMET   | 59794      |       | 1      |
| VALVE- Check  | A-59818    |       | 1      |
| FILTER- Oil (Intake)  | A-59804-A  |       | 1      |
| PLUNGER   | A-57834-10 |       | 1      |
| Includes:   |            |       |        |
| "O" RING  | 74388      |       | 1      |
| "O" RING  | 59074      |       | 1      |
| SPRING  | 59293      |       | 1      |
| When this Kit is assembled to the unit, the unit will have a complete manual oil pump system. |            |       |        |
| KIT- Hand guard   | A-70910-A  |       | 1      |
| Includes:   |            |       |        |
| WASHER  | 58851-2    |       | 1      |
| WASHER  | 70788      |       | 1      |
| SLEEVE  | 70911      |       | 1      |
| SCREW- Machine flat hd.   | 70926      |       | 1      |
| SCREW   | 80945      |       | 1      |
| NUT   | 81225      |       | 1      |
| SCREW   | 82223      |       | 1      |
| DECAL   | 96990      |       | 1      |
| KIT- Hand Guard   | A-70944-A  |       | 1      |
| Includes:   |            |       |        |
| WASHER  | 58851-2    |       | 1      |
| WASHER  | 70788      |       | 1      |
| SLEEVE  | 70911      |       | 1      |
| SCREW   | 80945      |       | 1      |
| NUT   | 81225      |       | 1      |
| KIT- Safe•T•TIP (Standard)  | DA-70790-A |       | 1      |
| Includes:   |            |       |        |
| SCREW   | 82335      |       | 1      |
| CARRY CASE  | 95920      |       | 1      |
| REEL- Starting rope (250 Ft.) #5  | 57084-1    |       | 1      |
| KIT- Insert (for drivecase guide barstuds)  | A-70370-A  |       | 1      |
| TUBING- Rubber 10 ft. (Fuel)  | 70310-99   |       | 1      |
| TUBING- Rubber 10 ft. (Oil)   | 70309-99   |       | 1      |
| THROTTLE HANDLE   |            |       |        |
| CONVERSION KIT (For the XL-12 single reed system)   | A-97553    |       | 1      |

| PAINT          |          | XL-12 | SXL-AO |
|----------------|----------|-------|--------|
| DESCRIPTION    | PART NO. |       |        |
| LACQUER- Red   | 23475    | 1     | 1      |
| LACQUER- Black | 22772    | 1     | 1      |

| Ref #    | Part Number | Qty | S/P/F | Description   |
|----------|-------------|-----|-------|---|
| 22828    | 22828       | 1   |       | PLIERS- Piston snap ring                                  |
| 23756    | 23756       | 1   |       | PLUG- Bearing assembly & disassembly                      |
| 23757    | 23757       | 1   |       | PLUG- Bearing assembly & disassembly<br>Drive & Crankcase |
| 23758    | 23758       | 1   | S     | PLUG- Seal assembly-drive & crankcase                     |
| A-23949  | A23949      | 1   |       | PLUG- Piston pin removal                                  |
| 67900    | 67900       | 1   | /P    | "O" RING  |
| A-24290  | A24290      | 1   | /P    | PULLER- Magneto remover                                   |
| 23759    | 23759       | 1   |       | SLEEVE- Seal protecting-crankcase                         |
| 23800    | 23800       | 1   | S     | SLEEVE- Seal installation-drive and<br>crankcase          |
| 23528    | 23528       | 1   |       | WRENCH- Hex socket screw (conn rod)                       |
| A-23934  | A23934      | 1   | /P    | WRENCH- Spanner to assembly &<br>disassemble clutch       |
| 23954    | 23954       | 1   |       | PIN   |
| 68651    | 68651       | 1   | S     | WRENCH- Socket  |
| 24541    | 24541       | 1   | S     | SCREWDRIVER   |
| A-17146  | A17146      | 1   | S     | TOOL- Clutch removal (for clutch conversion<br>kit)       |
| 238464   | 238464      | 1   |       | ANVIL- Crankshaft   |
| 22820-1  | 228201      | 1   |       | COLLAR- Ball bearing installation                         |
| 24173    | 24173       | 1   |       | DRIVER- Check valve (or SDC carburetor)                   |
| A-23137  | A23137      | 1   |       | JACKSCREW   |
| 22828    | 22828       | 1   |       | PLIERS- Piston snap ring                                  |
| 23756    | 23756       | 1   |       | PLUG- Bearing assembly connecting rod                     |
| 23757    | 23757       | 1   |       | Drive & Crankcase   |
| 23758    | 23758       | 1   | S     | PLUG- Seal assembly - drive & crankcase                   |
| 23845    | 23845       | 1   |       | PLUG- Seal installation drivecase assembly                |
| A-23949  | A23949      | 1   |       | PLUG- Piston pin removal                                  |
| 67900    | 67900       | 1   | /P    | "O" RING  |
| A-24290  | A24290      | 1   | /P    | PULLER- Magneto remover                                   |
| 23884-A  | 23884A      | 1   |       | SLEEVE- Bearing & Shaft installation                      |
| 23136-2A | 231362A     | 1   | /P    | SLEEVE- Bearing & Shaft installation                      |
| 23844    | 23844       | 1   |       | SLEEVE- Seal protecting                                   |
| 23759    | 23759       | 1   |       | SLEEVE- Seal protecting crankcase                         |
| 23843    | 23843       | 1   |       | SLEEVE- Seal installation drivecase                       |
| 23800    | 23800       | 1   | S     | SLEEVE- Seal installation drive & crankcase               |
| 23528    | 23528       | 1   |       | WRENCH- Hex socket screw (connecting<br>rod)              |
| A-23934  | A23934      | 1   | /P    | WRENCH- Spanner to assemble &<br>Disassemble clutch       |
| 23954    | 23954       | 1   |       | PIN   |
| 68651    | 68651       | 1   | S     | WRENCH- Socket  |
| A-24322  | A24322      | 1   |       | WRENCH- Insert  |
| 24541    | 24541       | 1   | S     | SCREWDRIVER   |
| A-17146  | A17146      | 1   | S     | TOOL- Clutch removal (for clutch conversion<br>kit)       |
| 2498201  | 2498201     | 1   |       | BIT- Driver torx 1/4" hex shank                           |
| 2498202  | 2498202     | 1   | /P    | BIT- Driver torx 5/16" hex shank                          |
| A-96745  | A96745      | 1   |       | CLUTCH- Conversion Kit (Lined)                            |

| Ref #      | Part Number | Qty | S/P/F | Description  |
|------------|-------------|-----|-------|--|
| A-93632-A  | A93632A     | 3   | S     | SHOE- Clutch   |
| 93639      | 93639       | 3   | S     | SPIDER- Clutch   |
| 93814-A    | 93814A      | 3   | S     | SPRING- Clutch   |
| A-95465    | A95465      | 1   |       | SPROCKET & DRUM  |
| 93643      | 93643       | 1   |       | THRUST WASHER  |
| 93650      | 93650       | 1   | /P    | THRUST WASHER  |
| 65064      | 65064       | 1   |       | THRUST WASHER  |
| A-65868    | A65868      | 1   | F     | KIT- Manual oil pump (Prior to s/n 50440501)                         |
| 57289-1    | 572891      | 1   |       | BUTTON   |
| A-59819    | A59819      | 1   |       | LINE- Oil  |
| 59794      | 59794       | 1   |       | GROMMET  |
| A-59818    | A59818      | 1   |       | VALVE- Check   |
| A-59804-A  | A59804A     | 1   |       | FILTER- Oil (intake)   |
| A-57834-10 | A5783410    | 1   | /P    | PLUNGER  |
| 74388      | 74388       | 1   | S     | "O" RING   |
| 59074      | 59074       | 1   | /P    | "O" RING   |
| 59293      | 59293       | 1   | /P    | SPRING   |
| A-70910-A  | A70910A     | 1   |       | KIT- Hand guard  |
| 588512     | 588512      | 1   | /P    | WASHER   |
| 70788      | 70788       | 1   | S     | WASHER   |
| 70911      | 70911       | 1   |       | SLEEVE   |
| 70926      | 70926       | 1   |       | SCREW- Machine flat hd.  |
| 80945      | 80945       | 1   |       | SCREW  |
| 81225      | 81225       | 1   | /P    | NUT  |
| 82223      | 82223       | 1   |       | SCREW  |
| 96990      | 96990       | 1   |       | DECAL  |
| A-70944-A  | A70944A     | 1   |       | KIT- Hand Guard  |
| 588512     | 588512      | 1   | /P    | WASHER   |
| 70788      | 70788       | 1   | S     | WASHER   |
| 70911      | 70911       | 1   |       | SLEEVE   |
| 80945      | 80945       | 1   |       | SCREW  |
| 81225      | 81225       | 1   | /P    | NUT  |
| DA70790A   | DA70790A    | 1   |       | KIT- Safe-T-TIP (Standard)   |
| 82335      | 82335       | 1   | S     | SCREW  |
| 95920      | 95920       | 1   | S     | CARRY CASE   |
| 57084-1    | 570841      | 1   | /P    | REEL- Starting rope (250 Ft.) #5                                     |
| A-70370-A  | A70370A     | 1   |       | KIT- Insert (for drivecase guide barstuds)                           |
| 7031099    | 7031099     | 1   | S     | TUBING- Rubber 10 ft. (Fuel)   |
| 7030999    | 7030999     | 1   | /P    | TUBING- Rubber 10 ft. (Oil)  |
| A-97553    | A97553      | 1   | /P    | THROTTLE HANDLE CONVERSION KIT<br>(For the XL-12 single reed system) |
| 23475      | 23475       | 1   | /P    | LACQUER- Red   |
| 22772      | 22772       | 1   |       | LACQUER- Black   |



XL12 Chain Saw UT-10080-C  
Zama Carburetor

Page 22 of 22

| Ref # | Part Number | Qty | S/P/F | Description            |
|-------|-------------|-----|-------|------------------------|
| 1     | 94954       | 1   |       | Repair Kit             |
| 2     | 94954       | 1   |       | Repair Kit             |
| 3     | 94954       | 1   |       | Repair Kit             |
| 4     | 94954       | 1   |       | Repair Kit             |
| 5     | 94954       | 1   |       | Repair Kit             |
| 6     | 94954       | 1   |       | Repair Kit             |
| 7     | 94954       | 1   |       | Repair Kit             |
| 8     | 94954       | 1   |       | Repair Kit             |
| 9     | 94954       | 1   |       | Repair Kit             |
| 10    | 94954       | 1   |       | Repair Kit             |
| 11    | 94954       | 1   |       | Repair Kit             |
| 12    | 94954       | 1   |       | Repair Kit             |
| 13    | 94954       | 1   |       | Repair Kit             |
|       | 94952       | 1   |       | Diaphragm & Gasket Kit |
| 14    | 94954       | 1   |       | Repair Kit             |
|       | 94952       | 1   |       | Diaphragm & Gasket Kit |
| 15    | 94954       | 1   |       | Repair Kit             |
|       | 94952       | 1   |       | Diaphragm & Gasket Kit |
| 16    | 94954       | 1   |       | Repair Kit             |
|       | 94952       | 1   |       | Diaphragm & Gasket Kit |