

XL101

XL102

XL103

XL104

HOMELITE XL CHAIN SAWS

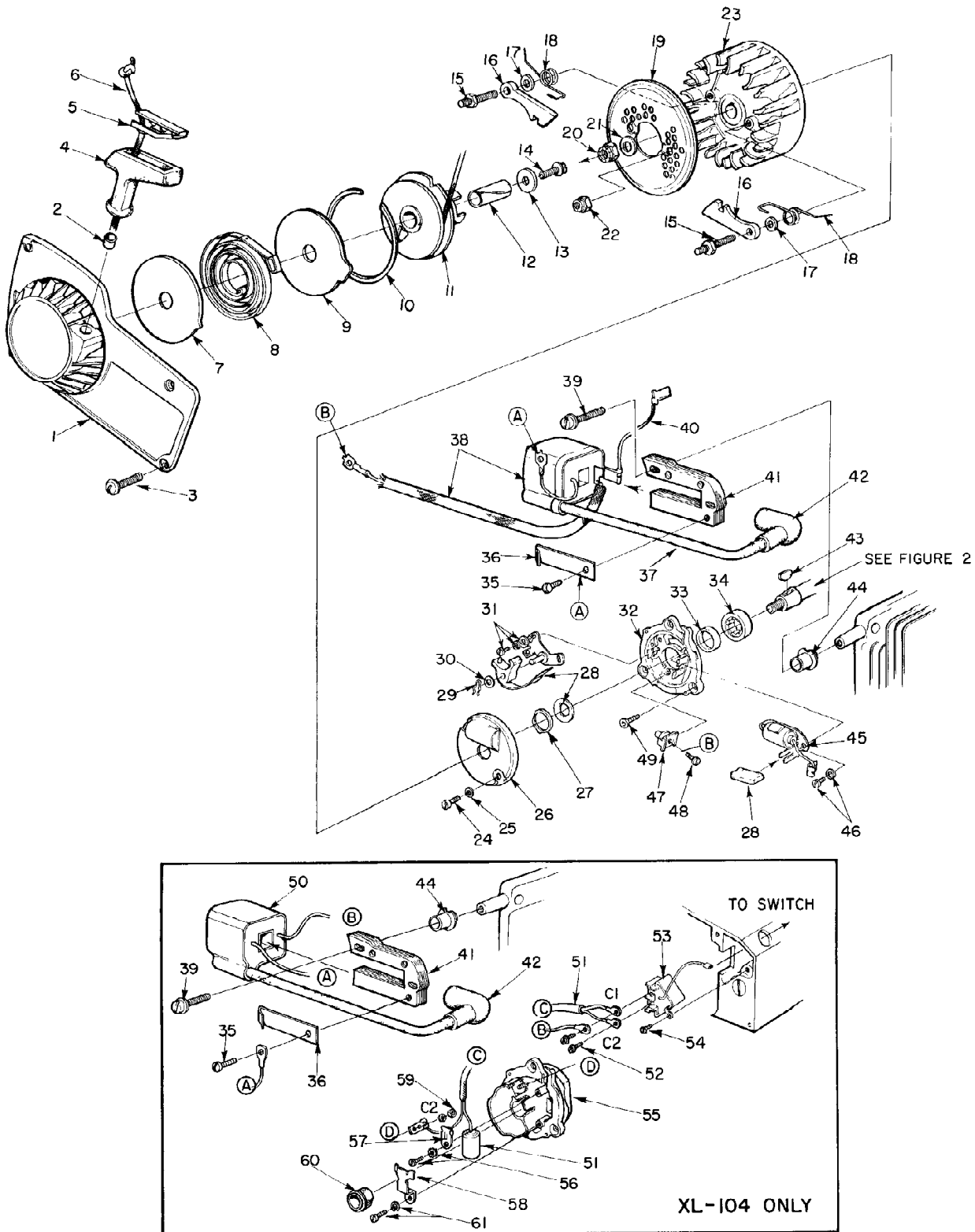


FIGURE 1

HOMELITE XL CHAIN SAWS

*Requires 64948 lock
L.H. - A pulley*

No.	Description	Part No.	XL-101	XL-102	XL-103	XL-104	Qty
1	HOUSING - fan	A-64191-1	*	*	*	*	1
2	Includes: BUSHING - starter rope	59313	*	*	*	*	1
3	SCREW - pan hd., #8-32 x 1/2"	80560	*	*	*	*	4
4	GRIP - starting rope	64155	*	*	*	*	1
5	INSERT - rope retaining	64154	*	*	*	*	1
6	ROPE - starter	63869	*	*	*	*	1
7	SHIELD - spring (inner)	63713	*	*	*	*	1
8	SPRING - rewind	63870	*	*	*	*	1
9	SHIELD - spring (outer)	63714	*	*	*	*	1
10	RING - shield retaining	63875	*	*	*	*	1
*11	PULLEY & CUP ASSEMBLY - starter	A-63952 A	*	*	*	*	1
12	BUSHING - starter post	64374	*	*	*	*	1
13	WASHER - retaining	63606	*	*	*	*	1
14	SCREW - hex hd., #10-32 x 1/2"	80648	*	*	*	*	1
15	STUD - shoulder	63877	*	*	*	*	2
16	PAWL - starter	64442	*	*	*	*	2
17	WASHER - flat	58851	*	*	*	*	2
18	SPRING - starter pawl	58758-2	*	*	*	*	2
19	SCREEN - rotor	63219	*	*	*	*	1
20	NUT - lock, 5/16-24	81112	*	*	*	*	1
21	WASHER - flat, 5/16	84065-1	*	*	*	*	1
22	NUT - "Flexloc", #10-32	81109-2	*	*	*	*	2
23	ROTOR - magneto	63637	*	*	*	*	1
	ROTOR - magneto	64437			*	*	1
24	SCREW - cover	64085	*	*	*	*	2
25	WASHER - flat, #6	84018	*	*	*	*	2
26	COVER ASSEMBLY - breaker box	A-63928	*	*	*	*	1
27	FELT RETAINER	64089	*	*	*	*	1
28	POINTS - set w/felt	A-64087	*	*	*	*	1
29	Includes CLIP - post	28008	*	*	*	*	1
30	WASHER - post	28028	*	*	*	*	1
31	SCREW - breaker clamp	76421	*	*	*	*	2
32	BACK PLATE	63624-1A	*	*	*	*	1
33	SEAL	58688-A	*	*	*	*	1
34	BEARING - roller	63867	*	*	*	*	1
35	SCREW - coil retaining clip	58872	*	*	*	*	1
36	CLIP - coil retaining	54423	*	*	*	*	1
37	LEAD - high tension	58966	*	*	*	*	1
38	COIL - ignition	64091	*	*	*	*	1
39	SCREW - coil core	64021	*	*	*	*	2
40	LEAD - ground to switch	A-63939	*	*	*	*	1
41	CORE - coil	54422	*	*	*	*	1
42	TERMINAL - spark plug	A-33055	*	*	*	*	1
43	KEY	75078	*	*	*	*	1
44	RETAINER - lead	64301	*	*	*	*	1
45	CONDENSER & CLAMP	64086	*	*	*	*	1
46	SCREW - condenser clamp	72486	*	*	*	*	2
47	BLOCK - terminal	64088	*	*	*	*	1
48	SCREW - terminal	64090	*	*	*	*	1
* 49	SCREW - flat hd. phillips, #2 flat - #12-24 x 5/8"	65301 82145	*	*	*	*	3
50	COIL - ignition	64435	*	*	*	*	1
x x x 51	CONDENSER & LEAD	64427	*	*	*	*	1
x x x 52	SCREW GROUP	64734	*	*	*	*	2
x x x 53	SWITCH BOX	A-64440	*	*	*	*	1
54	SCREW - flat hd. #6-32 x 3/8"	80451	*	*	*	*	1
x x x 55	BACK PLATE & CORE	A-64426	*	*	*	*	1
56	SCREW - lead hold down plate	64432	*	*	*	*	1
57	PLATE - lead hold down	64431	*	*	*	*	1
58	CLAMP - condenser	63627	*	*	*	*	1
59	LOCKWASHER - coil lead clamp nut	64430	*	*	*	*	1
60	CAP - dust	64423	*	*	*	*	1
61	SCREW - condenser clamp	55411	*	*	*	*	1

65909 Red Switch

64948 Red Switch

65913 Red Switch

65912 Red Switch

65911 Red

65908 Red Switch

* Ser Memo 689CS
 ** Ser Memo 692CS
 *** Memo 702CS

ALWAYS FURNISH MODEL AND SERIAL NUMBER WHEN ORDERING PARTS.

HOMELITE XL CHAIN SAWS

(A) See Manual 735CS

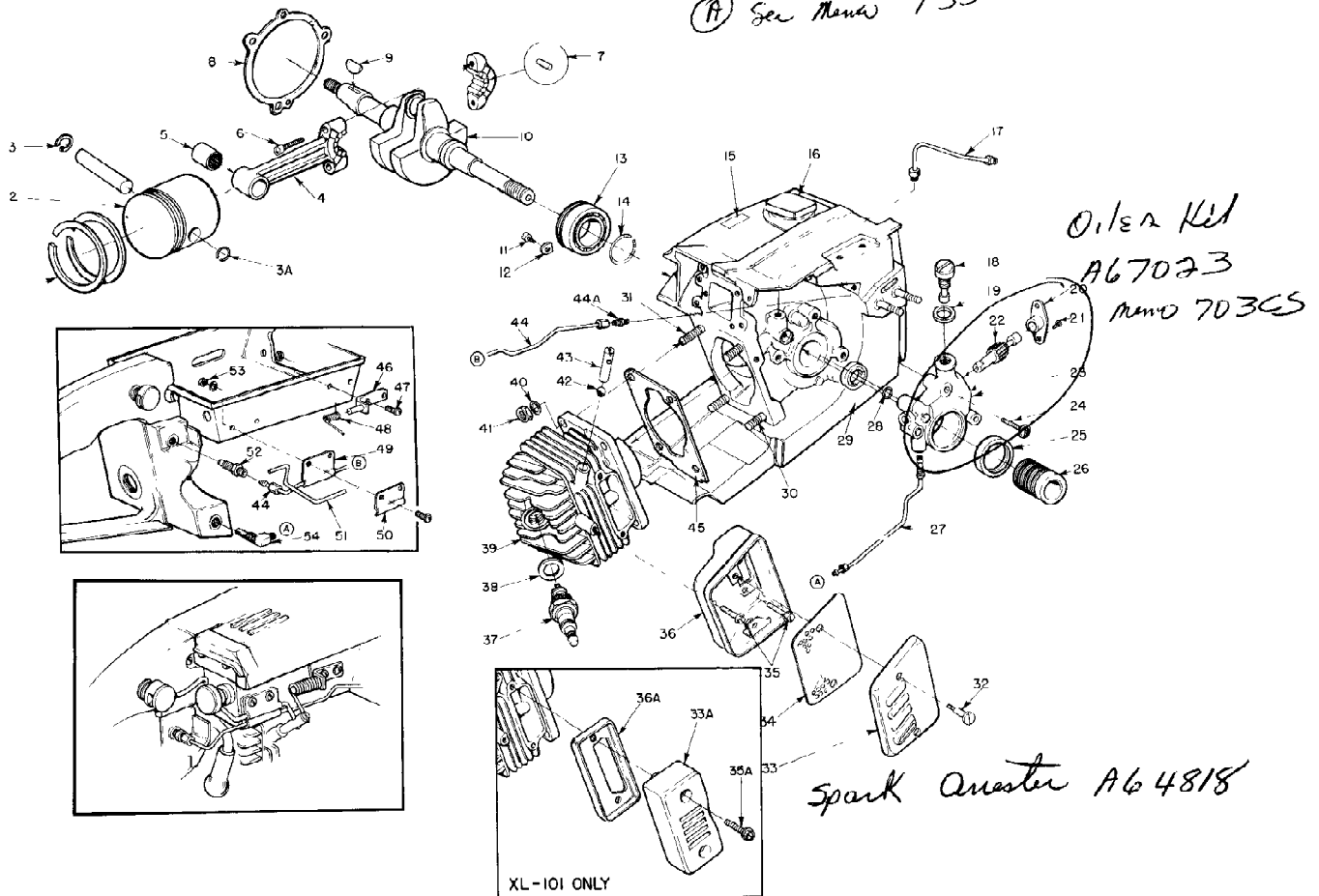


FIGURE 2

No.	Description	Part No.	XL-101	XL-102	XL-103	XL-104	Qty.	No.	Description	Part No.	XL-101	XL-102	XL-103	XL-104	Qty.
1	PISTON RING	59436	*	*	*	*	2	30	STUD - cylinder (short)	55871	*	*	*	*	3
	PISTON RING	58877	*	*	*	*	2	31	STUD - cylinder (long)	63868	*	*	*	*	1
2	PISTON & PIN	A-59468-B	*	*	*	*	1	32	SCREW - shoulder	64133-A	*	*	*	*	2
	PISTON & PIN	A-58903-B	*	*	*	*	1	33	CAP - muffler	64125	*	*	*	*	1
3	Includes RING - retaining	75120	*	*	*	*	1	33A	BODY - muffler	64131-1	*	*	*	*	1
3A	Includes RING - retaining	64813	*	*	*	*	1	34	BAFFLE - muffler	64126	*	*	*	*	1
4	ROD - connecting	A-63790	*	*	*	*	1	35	SCREW - hex hd., #12-24 x 1/2"	80821	*	*	*	*	3
5	Includes BEARING - needle	58724	*	*	*	*	1	35A	SCREW - hex hd., #12-24 x 1 1/4"	80994	*	*	*	*	2
6	Includes SCREW	80889	*	*	*	*	2	36	BODY - muffler	A-64130	*	*	*	*	1
7	ROLLER - needle (set of 31)	A-63797-A	*	*	*	*	1	36A	BASE - muffler	64132	*	*	*	*	1
8	GASKET - crankcase	63361	*	*	*	*	1	37	SPARK PLUG	63547-S	*	*	*	*	1
9	KEY	75078	*	*	*	*	1	38	Includes GASKET	25038	*	*	*	*	1
10	CRANKSHAFT	63204-1	*	*	*	*	1	39	CYLINDER	A-64542-1 <i>(A)</i>	*	*	*	*	1
	CRANKSHAFT	63204-2	*	*	*	*	1	40	CYLINDER	63165-1	*	*	*	*	1
11	SCREW - bearing retainer	59704	*	*	*	*	2	41	WASHER - lock, 1/4"	83009	*	*	*	*	4
12	WASHER - special	63905	*	*	*	*	2	42	NUT - hex, 1/4 - 28	81065-2	*	*	*	*	4
13	BEARING - ball	63865-S	*	*	*	*	1	43	BALL - compression relief	64728	*	*	*	*	1
14	RING - retaining	58319-A	*	*	*	*	1	44	PIN - compression relief	64660-B	*	*	*	*	1
15	DECAL	64144	*	*	*	*	1		(See Note # 1, page 7)						
16	CAP - fuel filler	A-64375	*	*	*	*	1	44	LINE - oil (manual)						
17	LINE - oil (auto-upper)	A-63919	*	*	*	*	1		(See Note # 2, page 7)	A-63948-A	*	*	*	*	1
18	SCREW - cam	64102-A	*	*	*	*	1	44A	FITTING TUBE - straight	31733-1	*	*	*	*	1
19	GASKET	59736	*	*	*	*	1	45	GASKET - cylinder	63237	*	*	*	*	1
20	BEARING - flange	59719	*	*	*	*	1	46	PIVOT PIN & BRACKET ASSY.	A-64656-2	*	*	*	*	1
21	SCREW - pan hd., #4.40 x 1/4"	80919	*	*	*	*	2	47	SCREW - pan hd., #6-32 x 3/8"	80571	*	*	*	*	4
22	PLUNGER W/HELICAL GEAR	63226	*	*	*	*	1	48	SPRING - relief valve	64853	*	*	*	*	1
23	HOUSING - oil pump	A-63946	*	*	*	*	1	49	CLAMP - oil clamp	64647-2	*	*	*	*	1
24	SCREW - pan hd., #8-32 x 7/8"	80568	*	*	*	*	3	50	CLAMP - lever	64655-2	*	*	*	*	1
25	SEAL - felt	64393	*	*	*	*	1	51	LEVER - relief valve						
26	WORM - oil pump	63228	*	*	*	*	1		(See Note # 1, page 7)	64654-A	*	*	*	*	1
27	LINE - oil (auto-lower)	A-63947	*	*	*	*	1	52	VALVE - check	A-59456-1	*	*	*	*	4
28	"O" RING	90872	*	*	*	*	1	53	NUT - "flexloc", #6-32	81126	*	*	*	*	4
29	SEAL	56308-A	*	*	*	*	1	54	FILTER - oil	A-64741	*	*	*	*	1

4 ALWAYS FURNISH MODEL AND SERIAL NUMBER WHEN ORDERING PARTS.

HOMELITE XL CHAIN SAWS

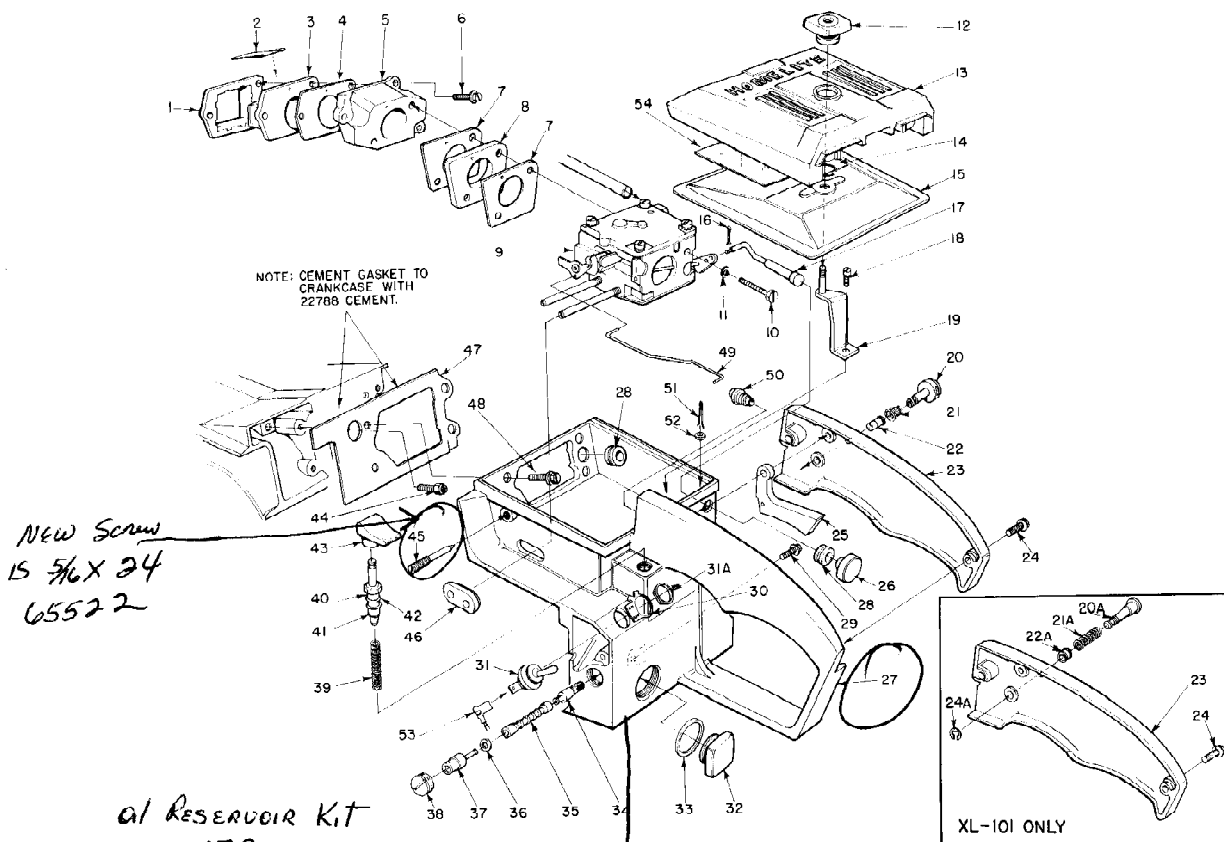


FIGURE 3

No.	Description	Part No.	XL-101	XL-102	XL-104	Qty.	No.	Description	Part No.	XL-101	XL-102	XL-104	Qty.
1	RETAINER - reed valve	64253	*	*	*	1	HANDLE - throttle (See Note # 3, page 7)	A-64876	*	*	*	1	
2	REED - valve	59678-A	*	*	*	4	Includes: PLUG - pipe, 1/16-29 (not shown)	59571	*	*	*	1	
3	SEAT - reed valve	64252	*	*	*	1	HANDLE - throttle (See Note # 3, page 7)	A-64875	*	*	*	1	
4	GASKET - reed valve seat	64266	*	*	*	1	Includes: GROMMET (See Note # 3, page 7)	64862	*	*	*	2	
5	MANIFOLD - intake	64265-1A	*	*	*	1	29 SCREW - hex hd., #12-24 x 7/8"	80891	*	*	*	1	
6	SCREW - shoulder	64349	*	*	*	3	30 PLATE - on - off	63910	*	*	*	1	
7	GASKET - carburetor	64118-1	*	*	*	2	31 SWITCH	A-63938	*	*	*	1	
8	SPACER - carburetor	64117-1	*	*	*	1	31A Includes: NUT	72084-A 1	*	*	*	1	
9	CARBURETOR (WALBRO SDC-1) (See Note below)	A-64196	*	*	*	1	32 CAP - oil vented	A-64766	*	*	*	1	
10	SCREW - hex hd., #10-32 x 2"	80965	*	*	*	2	33 Includes: "O" RING	65323	*	*	*	1	
11	WASHER - lock, #10	83046	*	*	*	2	34 FILTER - oil (manual)	A-64293	*	*	*	1	
12	NUT - cover mounting	A-64268	*	*	*	1	35 LINE - flexible oil	64356	*	*	*	1	
13	COVER - air filter	63183-2	*	*	*	1	36 GASKET	59736	*	*	*	1	
14	RING - retaining	58319-A	*	*	*	1	37 FITTING - check valve	A-63936	*	*	*	1	
15	FILTER ELEMENT - air	A-63955-A	*	*	*	1	38 SCREW - set	63113	*	*	*	1	
16	PIN - cotter	86324	*	*	*	1	39 SPRING - plunger	59293	*	*	*	1	
17	ROD - choke (See Note #3, page 7)	A-63942-1	*	*	*	1	40 PLUNGER	A-57834-15	*	*	*	1	
18	SCREW - hex hd., #12-24 x 1/2"	80821	*	*	*	1	41 Includes: "O" RING	74388	*	*	*	1	
19	BRACKET - air filter cover	A-63576	*	*	*	1	42 "O" RING	59074	*	*	*	1	
20	PIN - throttle lock	A-64391	*	*	*	1	43 BUTTON - oil pump	63622	*	*	*	1	
20A	PIN - throttle lock	58924-1	*	*	*	1	44 VENT - fuel tank	A-64311	*	*	*	1	
21	SPRING - throttle lock	64677	*	*	*	1	45 SCREW - idle adjustment	63725	*	*	*	1	
21A	SPRING - throttle lock	58405	*	*	*	1	46 GROMMET "HI-LO"	58858	*	*	*	1	
22	BUSHING - throttle lock	64646	*	*	*	1	47 GASKET - throttle handle	64267	*	*	*	1	
22A	BUSHING - throttle lock	59064	*	*	*	1	48 SCREW - hex hd., #12-24 x 5/8"	80676	*	*	*	4	
23	COVER - throttle handle	63197-2	*	*	*	1	49 ROD - throttle	63896-1	*	*	*	1	
24	SCREW - pen hd., #8-32 x 1/2"	80560	*	*	*	2	50 BOOT - throttle rod	58348	*	*	*	1	
24A	RING - retaining	58409	*	*	*	1	51 PIN - cotter	86301	*	*	*	1	
25	TRIGGER - throttle	63212-A	*	*	*	1	52 WASHER - felt	63290	*	*	*	1	
26	BUTTON - choke	57289-1	*	*	*	1	53 LEAD - ground	A-63939	*	*	*	1	
27	HANDLE - throttle (See Note # 3, page 7)	A-64697-A	*	*	*	1	54 PLATE - instruction	64173	*	*	*	1	
							PLATE - instruction	64174	*	*	*	1	

* Ser Memo 702CS Ignition
 ** Ser Memo 681CS New handle

NOTE: Refer to Carburetor Parts List #24107.

ALWAYS FURNISH MODEL AND SERIAL NUMBER WHEN ORDERING PARTS.

HOMELITE XL CHAIN SAWS

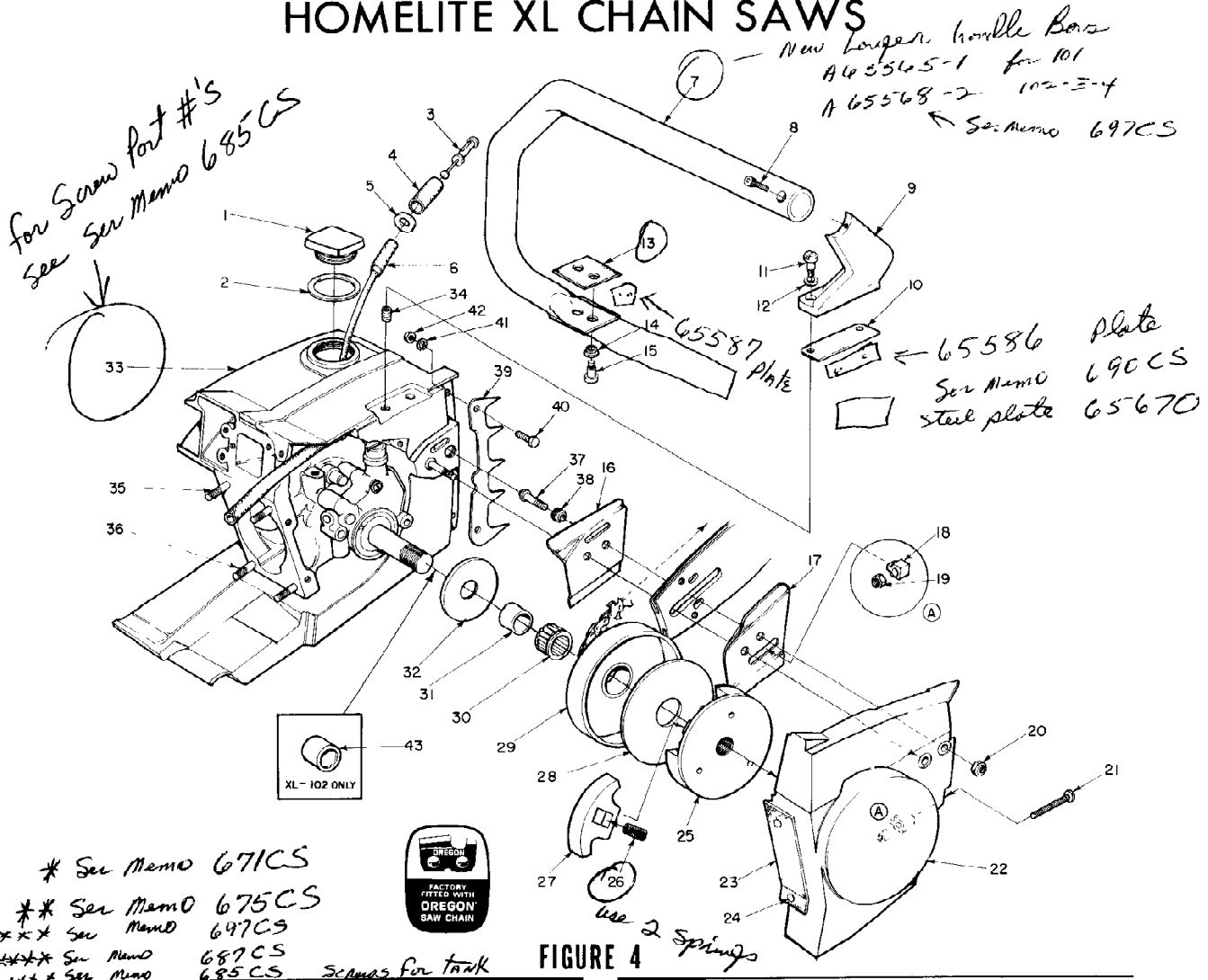


FIGURE 4

No.	Description	Part No.	XL-101			Qty.	No.	Description	Part No.	XL-101			Qty.
			XL-101	XL-102	XL-103					XL-104	XL-101	XL-102	
1	CAP - fuel filler	A-64375	*	*	*	1	23	Includes SHIELD - sawdust	64618	*	*	*	1
2	Includes GASKET	64659	*	*	*	1	24	RIVET - oval hd.	85061	*	*	*	2
3	FILTER - fuel	A-63920	*	*	*	1	25	PLATE - clutch (See Note # 4, page 7)	64904-1	*	*	*	1
4	Includes FILTER - felt	64083-1	*	*	*	1		PLATE - clutch	63669-1	*	*	*	1
5	WASHER	64182	*	*	*	1		SPRING - clutch	63977 64005 64609	*	*	*	3
6	LINE - fuel	63544	*	*	*	1	26	SHOE - clutch (See Note # 4, page 7)	64569-2	*	*	*	3
* 7	HANDLE BAR <i>64799-1 See Above</i>	A-63953-2	*	*	*	1	27	SHOE - clutch	63670	*	*	*	3
	HANDLE BAR <i>64798-1 Above</i>	A-64145-1	*	*	*	1		COVER - clutch	63671	*	*	*	1
8	SCREW - socket hd., cap, #10-32 x 1"	82126	*	*	*	1	28	SPROCKET & DRUM ASSY. (See Note # 4, page 7)	A-64908	*	*	*	1
*** 9	BRACKET - handle bar	63569-3	*	*	*	1			A-63217	*	*	*	1
	BRACKET - handle bar (use with clearing & bow guides)	64845-2	*	*	*	1			64333	*	*	*	1
*** 10	PAD - bracket <i>65539</i>	64610	*	*	*	1	30	BEARING - unit cage	63990	*	*	*	1
11	SCREW - shoulder	64614-A	*	*	*	2	31	RACE - inner	63860	*	*	*	1
12	GROMMET - handle bar	64474	*	*	*	2	32	WASHER - thrust	64609	*	*	*	1
* 13	PAD - handle bar <i>65360</i>	64609	*	*	*	1	*** 33	CRANKCASE & TANK <i>64797</i>	64609 64609	*	*	*	1
14	GROMMET - handle bar	64473	*	*	*	1	*** 34	CRANKCASE & TANK <i>64796</i>	64609 64609	*	*	*	1
*** 15	SCREW - shoulder <i>64754</i>	64613-A	*	*	*	2	34	Includes INSERT - "TapLok"	72489	*	*	*	4
16	PLATE - guide bar (inner)	63638-A	*	*	*	1	35	STUD - cylinder	63868	*	*	*	1
17	PLATE - guide bar (outer)	63639-A	*	*	*	1	36	STUD - cylinder	55871	*	*	*	3
18	PIN - bar adjusting	63623-1	*	*	*	1		SEAL (not shown - see Fig. 2, Item 29)	58308-A	*	*	*	1
19	NUT - lock, #10-32	81211	*	*	*	1	37	STUD - guide bar	63861	*	*	*	2
20	NUT - hex, 5/16-18	81196	*	*	*	2	38	INSERT - threaded	59896	*	*	*	2
21	SCREW - pan hd., #10-32 x 2 1/8"	82130-1	*	*	*	1		PIN - dowel (not shown)	71430	*	*	*	2
22	COVER - drive case	A-64620-1	*	*	*	1	39	BUMPER - spiked	64067	*	*	*	1
	COVER - drive case for clearing & bow guides only	A-64620-4	*	*	*	1	40	SCREW - hex. #12-24 x 5/8"	80676	*	*	*	2
	COVER - drive case	A-64619-1	*	*	*	1	41	WASHER - lock, #12	83056	*	*	*	2
	COVER - drive case for clearing & bow guides only	A-64619-3	*	*	*	1	42	NUT - hex, #12-24	81068	*	*	*	2
							43	SPACER	64372	*	*	*	1

HOMELITE XL CHAIN SAWS

NOTES

1. Units Below # 2598282 Replace Both Items # 43 & # 51 – Not Interchangeable – Must Be Used Together.
2. Units Below Serial # 2532641 Add Item # 44A Part # 31733-1 Straight Fitting To Crankcase To Use A-63948-A Oil Line.
3. For XL-101 & 102 Saws Below Serial # 2618994 And XL-103 & 104 Saws Below Serial # 2629089 Supply The Following:
 Item # 17 – Use A-63942 Choke Rod
 Item # 28 – Use 58362 Grommet (Choke)
 Item # 27 – When Replacing The Throttle Handle You Must Also Replace The Choke Rod With The New – Item # 17 – A-63942-1 Choke Rod.
4. On XL-102, 103, & 104 Saws With Old Style 2 3/4" Clutch Drums Replace The Following As A Set:
 Item # 25 – Clutch Plate
 Item # 26 – Clutch Springs
 Item # 27 – Clutch Shoes
 Item # 29 – Sprocket & Drum Assy.
 Item # 16 – Guide Bar Plate (Inner)
 Item # 17 – Guide Bar Plate (Outer)

Special Tools - available on order

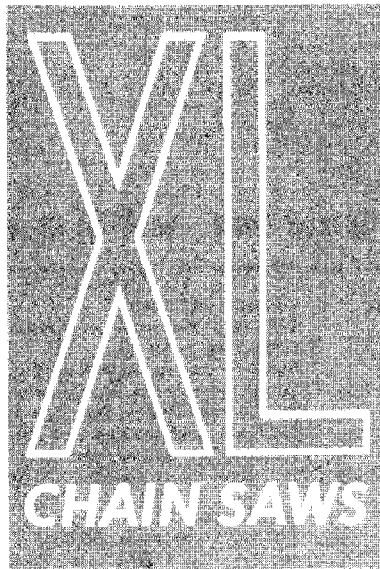
A-23937-B	WRENCH – combination
22820-5	COLLAR – bearing installation (bearing to shaft)
22828	PLIERS – retaining ring
23136-1	SLEEVE – bearing and shaft installation
23528	WRENCH – socket screw (connecting rod)
23756	PLUG – needle bearing assembly (connecting rod)
23759	SLEEVE – seal protection (back plate)
23846-2	ANVIL – roller bearing disassembly
A-23934	SPANNER – clutch (for use on XL-102, 103 and 104 with Ser #2617639 and up)
A-23949	TOOL – piston pin removal
A-23960	BRACKET – rotor removal
23972	SLEEVE – seal installation (crankcase w/shaft)
24006-2	PLATE – shaft alignment
A-24051	JACKSCREW (bearing to shaft to crankcase)
24053	SLEEVE – seal protecting (crankcase XL-101 only)
24054	PLUG – seal assembly (crankcase)
24055	PLUG – bearing and seal assembly (back plate)
A-24057	BEARING REMOVER (back plate)
A-24060	SPANNER – clutch (for use on all XL-101's and 102, 103, and 104 units below Ser. #2617639)
	Includes:
64309	PIN, dowel (3)
24076	SLEEVE – seal protection (crankcase side) XL-102, 103, 104
A-24138	REAMER – compression valve seat XL-102, 103, 104

Accessories

A-64818	SPARK ARRESTOR
24101	PAINT – dark blue
22771	PAINT – vermilion
23560	PAINT – white

ALWAYS FURNISH MODEL AND SERIAL NUMBER WHEN ORDERING PARTS.

7



HOMELITE

A **Textron** DIVISION • PORT CHESTER, NEW YORK

Illustrated in **INSPECTIVE** and
prepared by PURNELL COMPANY, INC.
Boston, Mass.