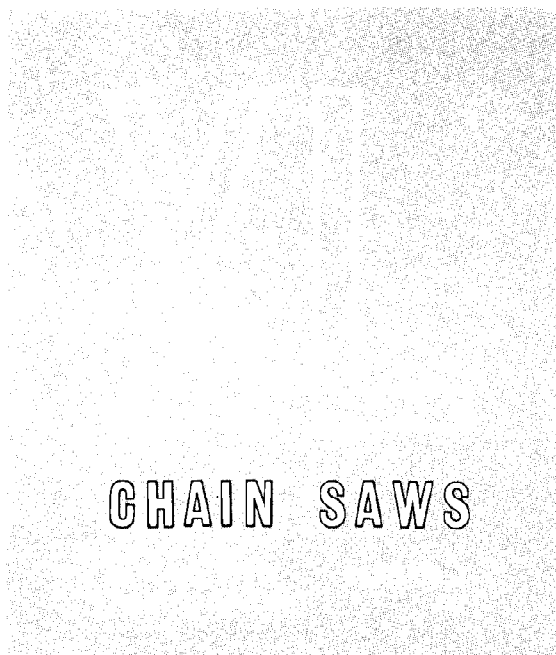
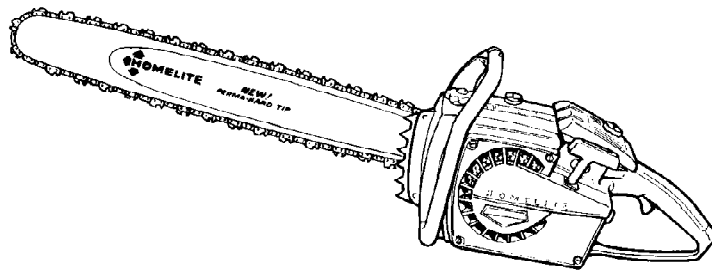


HOMELITE®



XL-700 CHAIN SAWS **XL-800**

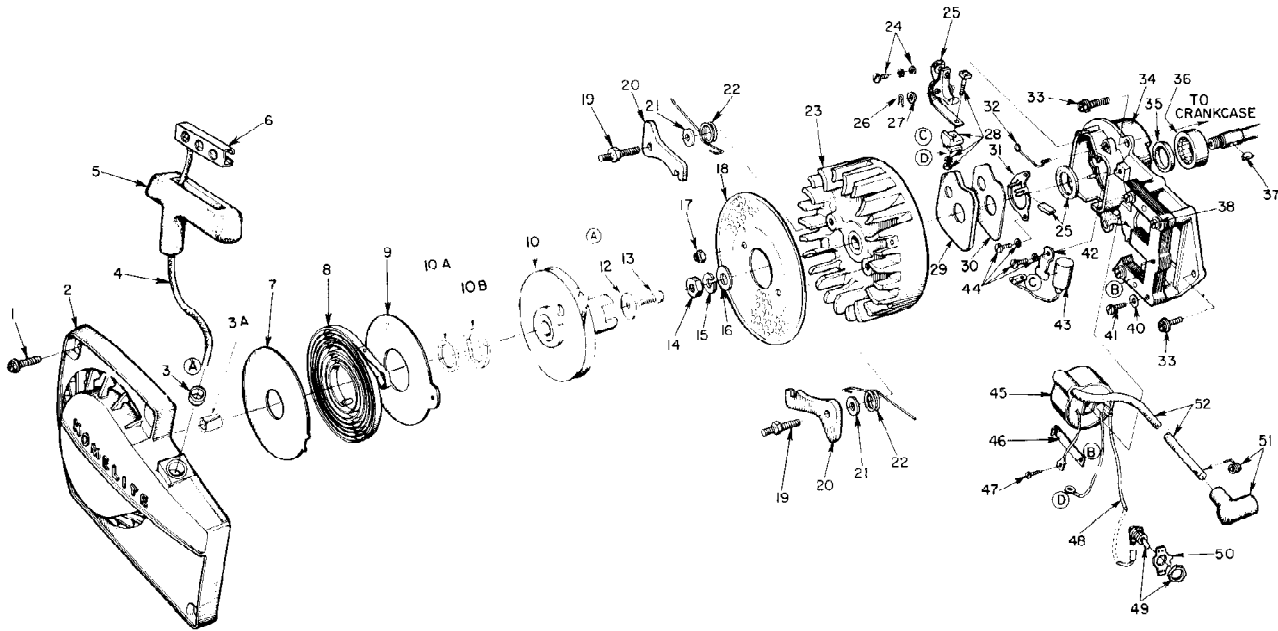


FIGURE 1

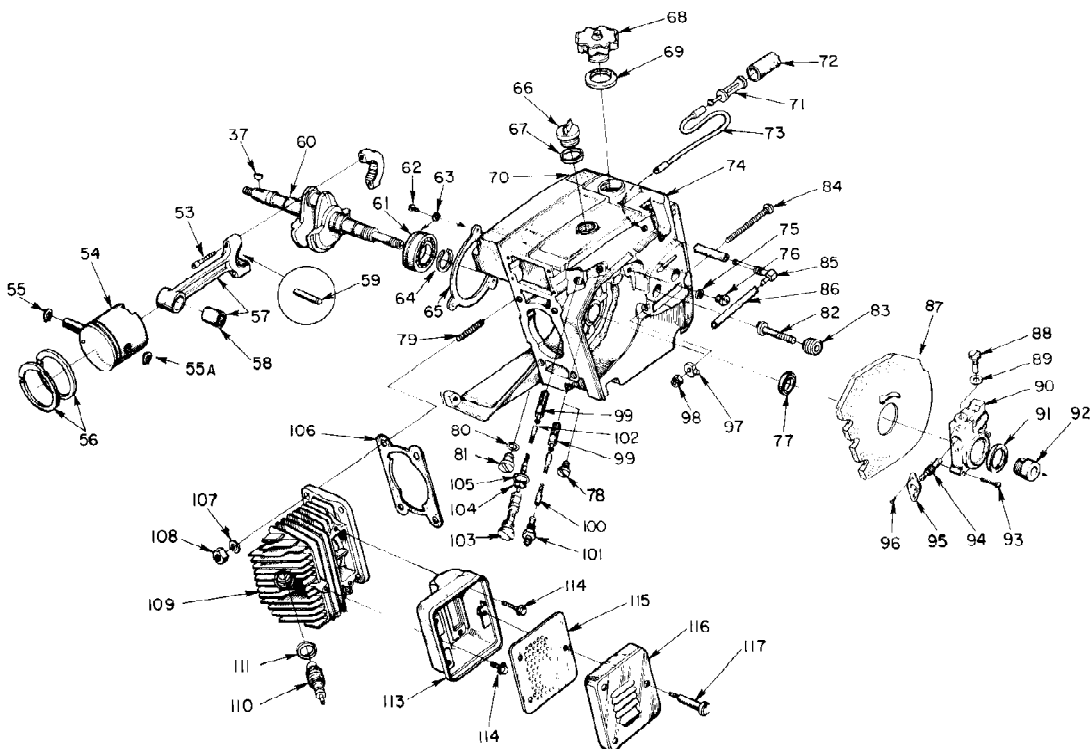


FIGURE 2

XL-700 CHAIN SAWS **XL-800**

No.	Description	Part No.	Qty	No.	Description	Part No.	Qty
1	SCREW - hex, 12-24 x 5/8	80676	4	59	BEARING - needle (28 rollers)	A-64621	1
2	HOUSING - fan	A-64504	1	60	CRANKSHAFT	*59625-1	1
3	Includes: BUSHING - rope	59313	1		CRANKSHAFT	59625-2	1
3A	BUSHING-starter post	64443	1	61	BEARING - ball	58190-S	1
4	ROPE - starter	58806	1	62	SCREW - bearing retaining	59704	2
5	GRIP - rope	58915	1	63	WASHER - lock	59705	2
6	INSERT	58847	1	64	RING - retaining	58319-A	1
7	SHIELD - spring (inner)	63566	1	65	GASKET - sealing	63319	1
8	SPRING - rewind	63268-A	1	66	CAP - oil (vented)	A-64310	1
9	SHIELD - spring (outer)	63565-A	1	67	Includes: GASKET	56607	1
10	PULLEY & CUP ASSEMBLY	A-64446	1	68	CAP - fuel	A64140-A	1
10A	Includes: BUSHING-spring lock	64400	1	69	Includes: GASKET	58957	1
10B	LOCK-spring	64049-A	1	70	DECAL	64144	1
12	WASHER - retaining	58763	1	71	FILTER ASSEMBLY	A-59251	1
13	SCREW - hex	80648	1	72	Includes: FILTER	59253	1
14	NUT - hex, 3/8-24	81124	1	73	LINE - flexible	55805	1
15	WASHER - lock, 3/8	83102	1	74	CRANKCASE & TANKS ①	A-63682-C	1
16	WASHER - flat, 3/8	84010-1	1	75	Includes: GASKET	58338	1
17	NUT - lock, 10-32	81109-2	2	76	CAP	58339	1
18	SCREEN - air	64137-A	1	77	SEAL	58688-A	1
19	STUD - pawl	58757-B	2	78	PLUG - pipe	58097	1
20	PAWL - starter (finger)	58756	2	79	STUD	55871	4
21	WASHER	58651	2	80	WASHER	*58138	1
22	SPRING - pawl	58758	2	81	CAP	*63115	1
23	ROTOR	63406	1	82	STUD - guide bar	59764-A	2
24	SCREW GROUP - points	76421	1	83	INSERT - threaded	59896	2
25	POINT SET - w/felts	A-63681	1	81	SCREW - guide bar adjusting	63267	1
26	Includes: CLIP - post	28098	1	85	FITTING - elbow	63297-A	1
27	WASHER - point	28028	1	86	LINE - fuel	64336-A	1
28	TERMINAL BLOCK GROUP	A-58934	1	87	SAWDUST SHIELD	A-64715	1
29	COVER - breaker box	63317	1	88	SCREW - cam	59737	1
30	GASKET - cover	63316	1	89	GASKET	59738	1
31	RETAINER - felt	63628	1	90	HOUSING - automatic oiler	A-63461-B	1
32	SPRING - cover (clip)	76113	1	91	SEAL - felt	59926	1
33	SCREW - hex, 12-24 x 11/16	80751	4	92	GEAR - worm	59967	1
34	PLATE - back	A-63633	1	93	SCREW - fil, 8-32 x 3/4	580248	3
35	Includes: SEAL	58688-A	1	94	PLUNGER - gear	63760	1
36	BEARING - roller	63195	1	95	BEARING - flanged	59719	1
37	KEY	75078	1	96	SCREW - pan, 4-40 x 1/4	580919	2
38	CORE - coil	63630	1	97	PIN - guide bar adjusting	58785-1	1
40	WASHER - flat #8	84025-1	4	98	NUT - lock, 1/4-20	81108	1
41	SCREW - pan, 8-32 x 3/4	80567	4	99	FILTER - oil	A64293	1
42	CLAMP - condenser	63627	1	100	LINE - oil pick-up	*63605	1
43	CONDENSER - ignition	63626	1	101	CONNECTOR - oil filter	*59937	1
44	SCREW	55411	3	102	SLEEVE - flexible oil	59000	1
45	COIL - ignition	63625	1	103	TUBE - oil line	63452-A	1
46	CLIP - coil retaining	63726	1	104	"O" RING	58406	1
47	SCREW - coil clip	58872	1	105	GASKET - oil line tube	63751	1
48	LEAD - ground	A-59031	1	106	GASKET - cylinder ②	63778	1
49	SWITCH - w/nut	A-57650-3	1	107	WASHER - lock, 1/4	83009	4
50	PLATE - "ON-OFF"	72085 A	1	108	NUT - hex, 1/4 x 28	81065-2	4
51	TERMINAL - spark plug	A-33055	1	109	CYLINDER - 2" bore	*63012-2	1
52	LEAD - high tension	63632	1		CYLINDER - 2 1/16" bore	*63012-1	1
53	SCREW - socket cap, 8-32 x 9/16	80805	2	110	SPARK PLUG	63547-S	1
54	PISTON & PIN - 2" bore	*A-63780-A	1	111	Includes: GASKET	25038	1
55	PISTON & PIN - 2 1/16" bore	A-63781-A	1	113	BODY - muffler	A-63635-1A	1
55A	Includes: RING - retaining	55095	1	114	SCREW - hex, 12-24 x 5/8	80978	3
	RING - retaining	64742	1	115	BAFFLE - muffler	63521-A	1
56	RING - piston (2" bore)	*55038	2	116	CAP - muffler	63520-1	1
	RING - piston (2 1/16" bore)	*55537	2	117	SCREW - shoulder	63855-A	3
57	ROD - connecting	A-63309	1		ACCESSORY		
58	Includes: BEARING - needle	59351	1		Spark Arrestor (not shown)	A-63540-A	1
					KIT-fan housing screen	A-64421	1

* XL-700 units only / XL-800 units only

① Units below Serial #2353392. A-63682-A Crankcase and Tank Assy. is superseded by A-63682-C. When A-63682-C is supplied as a replacement, Part A-63485-2 Handle Bar must be replaced with A-63485-2A.

② Two separate gaskets replace one piece gasket used in some units.

SPECIAL TOOLS available on order

Part No.	Description	Part No.	Description
A-23937-A	COMBINATION WRENCH	A-23934	WRENCH
22828	PLIERS - piston snap ring	A-23696	REMOVER - threaded spider
23528	WRENCH - socket screw (conn. rod)	A-23841	WRENCH - insert (guide bar stud)
23955	PLUG - bearing installation (conn. rod)	A-23960	PULLER - rotor
*A-23137	JACKSCREW	*23819	PLUG - needle bearing (sprocket)
A-23965	JACKSCREW	23420	PLUG - bearing installation (sprocket)
*23136	BODY - jackscrew	23956	PLUG - bearing and seal installation (back plate)
23136-1	BODY - jackscrew	A-23962	REMOVER - bearing (back plate)
*22820-3	COLLAR - bearing	23846-2	ANVIL - bearing disassembling (back plate)
22820-4	COLLAR - bearing	A-23951	PLUG - piston pin removal
23846-1	ANVIL - crankshaft installation	24006-1	PLATE - crankshaft aligning
*23759	SLEEVE - seal protecting (crankcase)		PAINT
23971	SLEEVE - seal protecting (crankcase)	23318	SPRAY CAN - blue
23972	SLEEVE - seal installation (crankcase)	22771	SPRAY CAN - red
23957	PLUG - seal installation (crankcase)	23560	SPRAY CAN - white
23987	SHIM - point gap		

ALWAYS FURNISH MODEL AND SERIAL NUMBER WHEN ORDERING PARTS.

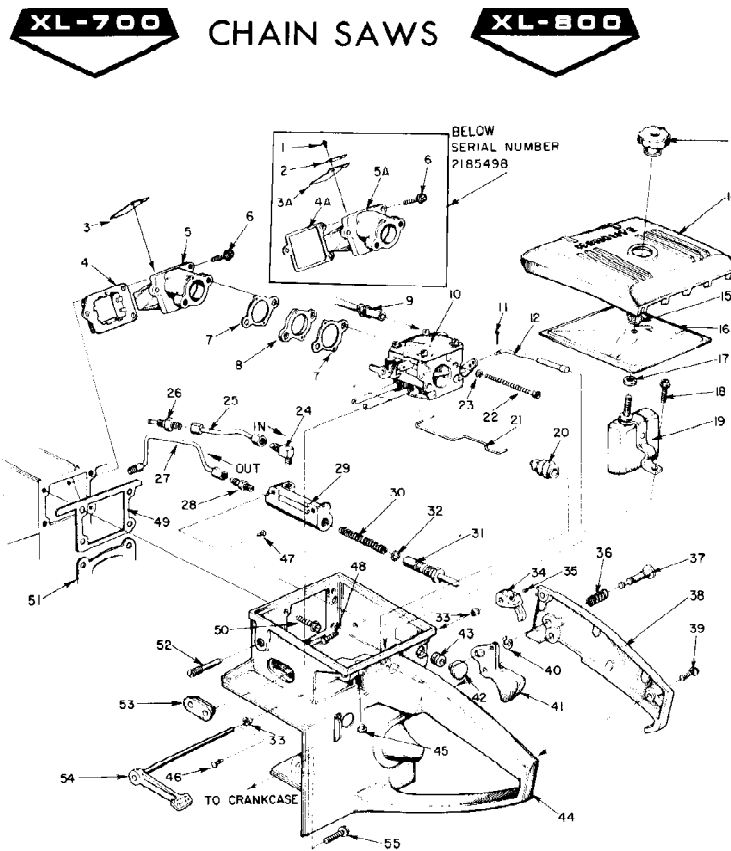
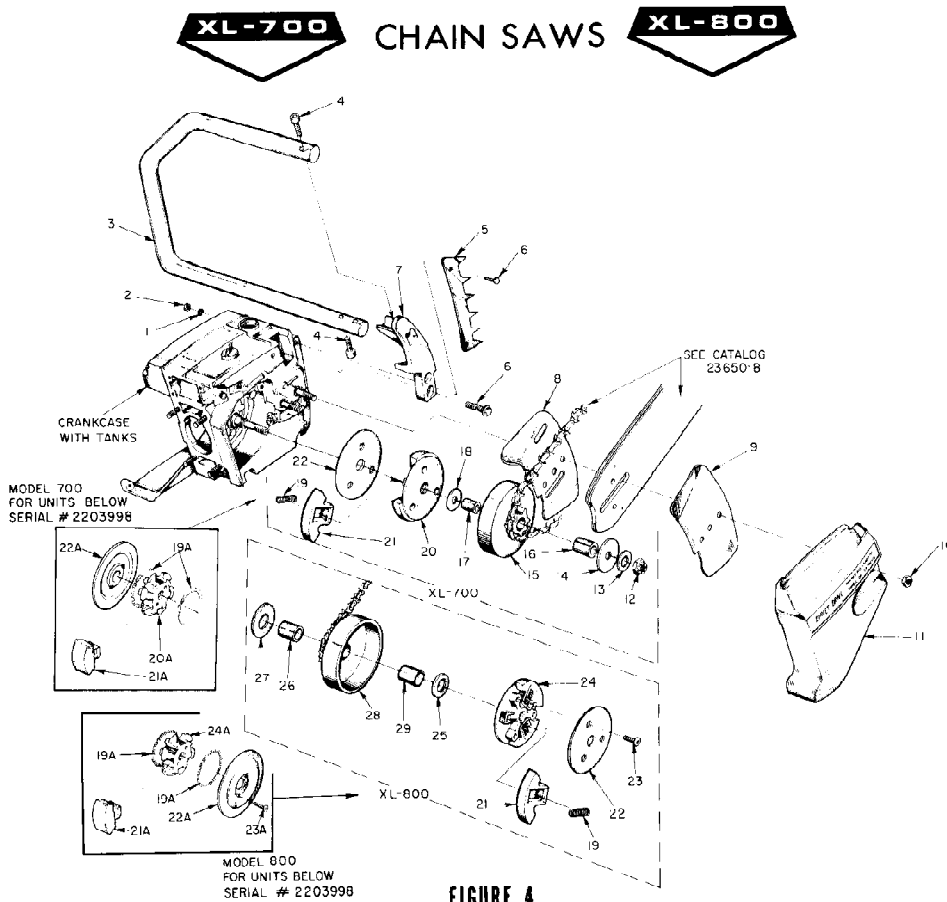


FIGURE 3

No.	Description	Part No.	Qty	No.	Description	Part No.	Qty
1	SCREW - pan, 4-40 x 1/8	80918	8	28	VALVE - check	*A-59456-1	1
2	SPRING - valve	59679	4	29	BODY - oil pump	*63343-2	1
3	VALVE - reed	63166	4	30	SPRING - plunger	*59293	1
**3A	VALVE - reed	63067	4	31	PLUNGER - oil pump	*A-57834-14	1
4	RETAINER	63370	1		Includes: "O" RING - shaft	*59074	1
**4A	GASKET - seat	63255	1		"O" RING - plunger	*74388	1
5	SEAT - reed valve	A-63907	1	32	BUSHING - throttle handle	*63400	2
6	SCREW - pan, 8-32 x 1/2	63709	3	34	LEVER - oiler	*63280-2A	1
7	GASKET - carburetor	63254	2	35	SCREW - socket, set 8-32 x 1/4	*80989	1
8	SPACER - carburetor	63256	1	36	SPRING - lock	58405	1
9	LINE - fuel	63335-A	1	37	PIN - throttle lock	58921	1
10	CARBURETOR	A-63448	1	38	COVER - throttle handle	A-63325-1	1
11	PIN - cotter	96324	1		Includes: BUSHING - pin	59064	1
12	ROD - choke	A-63337	1	39	SCREW - pan, 8-32 x 1/2	80560	2
13	NUT - cover mounting	A-63582 A	1	40	RING - retaining	58409	1
14	COVER - air filler	63634-1	1	41	THROTTLE - trigger	58859	1
15	RING - retainer	58319-A	1	42	BUTTON	57289-1	1
16	FILTER ELEMENT - air	63341	1	43	GROMMET	58362	1
17	GASKET - mounting nut	58392-1	1	44	HANDLE - throttle	A-63683	1
18	SCREW - hex, 12-24 x 1/2	80921	1		Includes: BUMPER - rubber	56298	1
19	DEFLECTOR - air, w/bracket	A-63593	1	46	PLUG	463848	2
20	BOOT - throttle rod	58348	1	47	PLUG	463847	2
21	ROD - throttle	63266	1	48	SCREW - sl. hex, 8-32 x 1/2	*80983	2
22	SCREW - hex, 10-32 x 2	80965	2	49	GASKET - throttle handle	63779	1
23	WASHER - lock, #10	83046	2	50	SCREW - hex, 12-24 x 5/8	80676	4
24	VALVE - check	*A-63432	1	51	GASKET - cylinder	63778	1
25	LINE - oil	*A-63298	1	52	SCREW - idle adjustment	63369	1
26	CONNECTOR - oil filter	*59937	1	53	GROMMET	58858	1
27	LINE - oil	*A-63299	1	54	LEVER - oiler w/shaft	*A-63327	1
				55	SCREW - hex, 12-24 x 7/8	80891	1

* XL-700 units only
 / XL-800 units only

- ① Service replacement Throttle Handle supplied with instructions for assembly in XL-700, or XL-800 units.
- ② 63280-2A Lever supersedes 63280-2 and must use 80989 Set Screw. Units below Serial No. 2216705 use 80267 Set Screw.



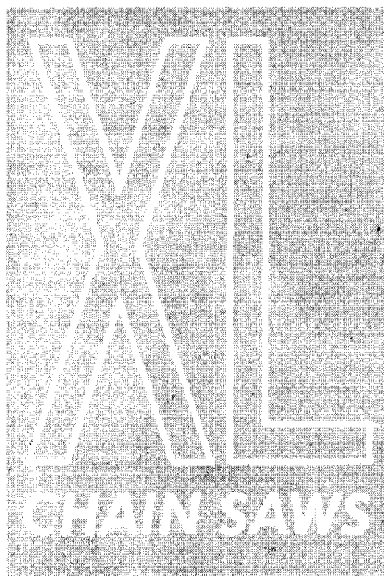
No.	Description	Part No.	Qty.	No.	Description	Part No.	Qty.
1	WASHER - lock, #12	83056	2	17	RACE - inner	*55584	1
2	NUT - 12-24	81068	2	18	WASHER - thrust (inner)	*58833	1
3	HANDLE BAR - flush cut	A-63485-2A	1	19	SPRING	63034	3
	HANDLE BAR - wrap-around ①	A-63659-A	1	**19A	SPRING - clutch	55123-C	2
4	SCREW - socket, 1/4-20 x 1	80428	3	20	PLATE - clutch	*63053-1	1
5	BUMPER - spiked (optional)	63549	1	**20A	SPIDER - clutch	*58927-1	1
6	SCREW - hex, 12-24 x 3/4	80867	as req'd.	21	SHOE - clutch	63052	3
7	BRACKET - handle bar (flush cut)	63011-3	1	**21A	SHOE - clutch	58928	6
	BRACKET - handle bar (wrap-around) ①	63011-6	1	22	COVER	63051-1	1
8	PLATE - guide bar (inner)	58781	1	**22A	COVER - clutch	58751-1	1
9	PLATE - guide bar (outer)	58782	1	**23	SCREW-hex 1/4-20 x 1/2"	*64471	3
10	NUT - 5/16-18	81196	2	**23A	SCREW - button 10-32 x 1/2"	*80976	2
11	COVER - drivecase	63009-2	1	**24	PLATE - clutch	*63053-2	1
12	NUT - lock, 3/8-24	*81192	1	**24A	SPIDER - clutch	*58927-2	1
13	WASHER - flat, 3/8	*84010-1	1	25	WASHER - thrust (outer)	*63462	1
14	WASHER - thrust (outer)	*58926	1	26	RACE - inner	*63588	1
				27	WASHER - thrust (inner)	*63463	1
XL-700 ONLY				XL-800 ONLY			
15	SPROCKET & DRUM ②			28	SPROCKET & DRUM		
	standard - 7 tooth, 3/8" pitch	*A-59552	1		optional - 8 tooth, .404 pitch	*A-64371	1
	optional - 8 tooth, 3/8" pitch	*A-63346	1		standard - 8 tooth, 3/8" pitch	*A-64370	1
	7 tooth, .404 pitch	*A-59555	1		7 tooth, .404 pitch	*A-64369	1
16	Includes: BEARING - needle	*72311-S	1		7 tooth, 3/8" pitch	*A-64368	1
	New "Splined" type (not shown)				Includes: BEARING - needle	64124	1
	DRUM & HUB - sprocket	*A-63288	1		RACE - inner	64129	1
	Includes: BEARING - needle	*72311-S	1				
	SPROCKET - "splined" ②						
	rim type - 7 tooth, 3/8" pitch	*63284					
	7 tooth, .404 pitch	*63285	1				
*XL-700 units only				**Units below Serial #2203998 (See Note ③).			
*XL-800 units only				ACCESSORY:			
				DRIVECASE COVER (for Bow & Clearing Guides) A-64017-1			

① Wrap around Handle Bar and special Bracket also requires #63660 Brace (not shown) mounted on drivecase cover. Attach Brace to Handle Bar with one #80867 screw.

② Check type and number of teeth before ordering. "Splined" HUB & DRUM requires one of "splined" sprockets listed.

③ Parts are not interchangeable except as complete assemblies.

ALWAYS FURNISH MODEL AND SERIAL NUMBER WHEN ORDERING PARTS.



HOMELITE

A **Textron** DIVISION • PORT CHESTER, NEW YORK