

PARTS LIST

HOMELITE®

CHAIN SAW

VI123

PRICE .35

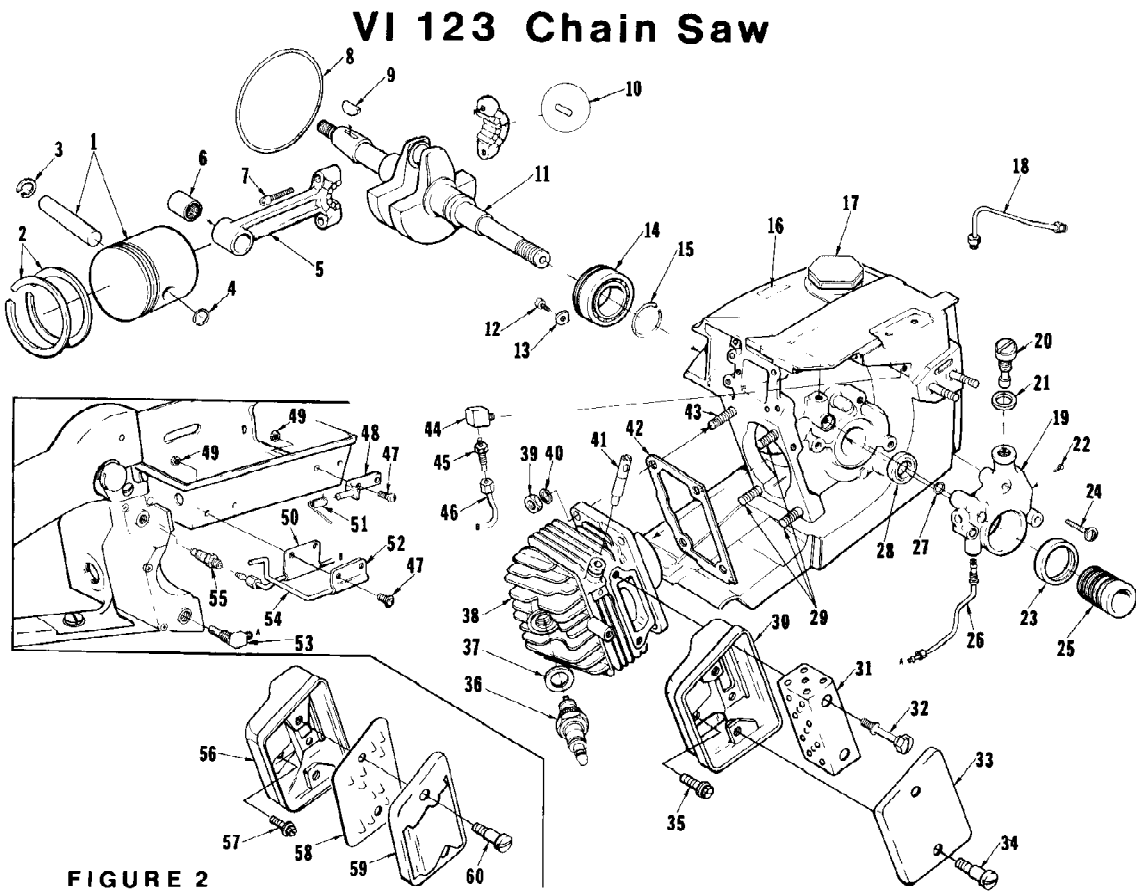


PART NO. 24655

HOMELITE DIVISION OF TEXTRON INC.
14401 Carowinds Boulevard
Charlotte, N.C. 28217

3588RY

HOMELITE **TEXTRON**
Homelite Division of Textron Inc



No.	Description	Part No.	Qty.	No.	Description	Part No.	Qty.
1	PISTON & PIN Includes:	A-68438	1	*	MUFFLER (complete)	A-69232	1
2	PISTON RING	59436	2		Includes:		
3	RING-retaining	75120	1	*30	BODY-muffler	A-69231-1	1
4	RING-piston pin retaining	64813	1	*31	BAFFLE-muffler	69230-1	1
5	ROD-connecting Includes:	A-68498	1	32	SCREW-shoulder	68481	2
6	BEARING-needle	67408	1	*33	CAP-muffler	69228-1	1
7	SCREW	80541	2	34	SCREW-shoulder	64133-A	2
8	"O" RING	58785	1	35	SCREW-hex, 12-24 x 1/2	80821	1
9	KEY-Woodruff	75078	1	36	SPARK PLUG	63547-S	1
*10	ROLLER-needle (set of 25)	A-69050	1	37	Includes: GASKET	25038	1
11	CRANKSHAFT	68730	1	*38	CYLINDER	A-65795-1A	1
12	SCREW-bearing retainer	59704	2	39	NUT-hex, 1/4-28	81065-2	4
13	WASHER-special	63905	2	40	WASHER-lock, 1/4	83009	4
14	BEARING-ball	63865-S	1	41	PIN-compression release	A-67482	1
15	RING-retaining	58319-A	1	42	GASKET-cylinder	65829	1
16	DECAL	64114	1	43	STUD-cylinder (long)	63868	1
17	CAP-fuel filler	A-65283-B	1	44	CONNECTOR-elbow	81734	1
18	LINE-oil (auto. upper)	A-63919	1	45	FITTING-straight	65696	1
19	PUMP-automatic oil Includes:	A-67023	1	46	LINE-oil (manual)	A-67079	1
20	SCREW-cam	64102-A	1	47	SCREW-pan, 6-32 x 3/8	80571	4
21	GASKET	59736	1	48	PIVOT PIN & BRACKET	A-64656-2	1
22	SCREW-pan, 4-40 x 1/4	80919	2	49	NUT-flexlock, 6-32	81126	1
23	SEAL-felt	64393	1	50	CLAMP-oil	65949-2	1
24	SCREW-pan, 8-32 x 7/8	80568	3	51	SPRING-relief valve	64653	1
25	WORM-oil pump	63228	1	52	CLAMP-lever	64655-2	1
26	LINE-oil (auto. lower)	A-63947	1	53	FILTER-oil	A-64741	1
27	"O" RING	59074	1	54	IFVFR-relief valve	64651-B	1
28	SEAL	58308-A	1	55	VALVE-check	A-65948	1
29	STUD-cylinder (short)	55871	3		MUFFLER (complete)	A-68953	1
					Includes:		
				56	BODY-muffler	† A-64130-2	1
				57	SCREW-hex, 12-24 x 1/2	† 80821	3
				58	BAFFLE-muffler	† 68472	1
				59	CAP-muffler	† A-68951-1	1
				60	SCREW-shoulder	† 64133-A	1

* Denotes new parts

† Optional

ALWAYS FURNISH MODEL AND SERIAL NUMBER WHEN ORDERING PARTS

VI 123 Chain Saw

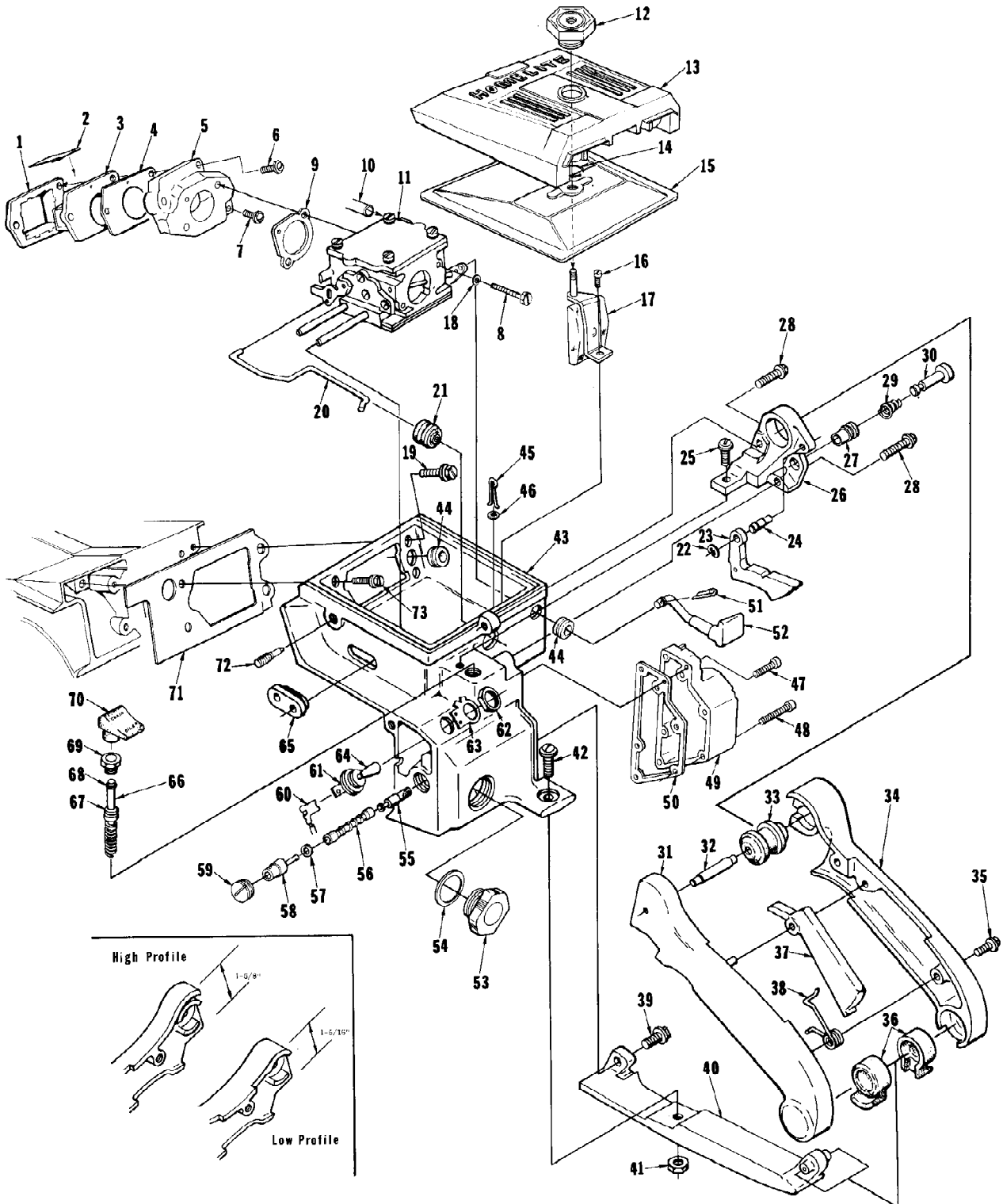


FIGURE 3

VI 123 Chain Saw

No.	Description	Part No.	Qty.	No.	Description	Part No.	Qty.
1	RETAINER-reed valve	64253-A	1	*38	SPRING-trigger	68681	1
2	REED-valve	59678-B	4	39	SCREW-hcx, 12-24 x 1-1/4	80994	1
3	SEAT-reed valve	64252-A	1	*40	BASE-handle	A-69085-1	1
4	GASKET-reed valve seat	64266	1	*41	NUT-hex, 12-24	81225	1
5	MANIFOLD-intake	A-67502-A	1	42	SCREW-pan 12-24 x 5/8	80707	1
	Includes:			*43	CARBURETOR CHAMBER	A-69163	1
6	SCREW-pan, 8-32 x 1-1/4	82174	2		Includes:		
7	SCREW-pan, 8-32 x 1	82173	1	44	GROMMET	64862	2
8	SCREW-hex, 10-32 x 1-7/8	82179	2	45	PIN-cotter	86301	1
9	GASKET-carburetor	67631	1	46	WASHER-felt	63290	1
10	LINE-fuel	63544	1	47	SCREW-fil, 8-32 x 3/4	82156	3
11	CARBURETOR (SDC-31)	A-68402	1	48	SCREW-fil, 8-32 x 1-5/8	82153	3
12	NUT-cover mounting	A-67627	1	49	COVER-oil tank	A-68120	1
*13	COVER-air filter	63183-6	1		Includes:		
14	RING-retaining	58319-A	1		PLUG-pipe (not shown)	59571	1
15	FILTER ELEMENT-air	A-63955-A	1	50	GASKET-oil tank	67265	1
16	SCREW-hex, 12-24 x 1/2	80821	1	51	PIN-cotter	86324	1
17	BRACKET-air filter cover	A-68056	1	52	ROD-choke	67000-1	1
18	WASHER-lock, #10	83046	2	53	CAP-oil (vented)	A-65284-A	1
19	SCREW-hex, 12-24 x 7/8	80891	1		Includes		
*20	ROD-throttle	69064	1	54	"O" RING	65133	1
21	BOOT-throttle rod	67634	1		VALVE-vent (not shown)	63718	1
*22	RING-retaining	69071	1	55	FILTER-oil (manual)	A-64293	1
*23	TRIGGER-throttle	63212-1	1	56	LINE-flexible oil	64356	1
*24	PIN-trigger	69069-1	1	57	GASKET	59736	1
25	SCREW-pan, 10-32 x 1/2	80625	1	58	FITTING-check valve	A-63936	1
*26	BRACKET-vibration mount	A-69180	1	59	SCREW-set	63113	1
27	Includes: BUSHING-nylon	64646	1	60	LEAD-ground	A-63939	1
28	SCREW-pan, 10-32 x 5/8	80572	2	61	SWITCH	A-63938	1
29	SPRING-throttle latch	64677	1	62	Includes: NUT	72084-A1	1
30	PIN-throttle latch	65592-A	1	63	PLATE-"on-off"	63910	1
*31	HANDLE-throttle (left, high profile) A-69086		1	*64	SLEEVE-grounding switch	69092	1
*	HANDLE-throttle (left, low profile) A-69086-1		1	65	GROMMET-"hi-lo"	58858	1
*32	PIN-vibration isolator	68999	1	66	PLUNGER-oil pump	A-68061-A	1
*33	ISOLATOR	68323	1	67	Includes: "O" RING	58406	1
*34	HANDLE-throttle (right, high profile) 68974-2		1	68	"O" RING	59071	1
*	HANDLE-throttle (right, low profile) 69222-2		1	69	NUT-plunger	65082	1
*35	SCREW-pan, 8-32 x 5/8	80582	2	70	BUTTON-oil pump	67386	1
*36	ISOLATOR	68325	2	71	GASKET-carburetor chamber	64267	1
*37	TRIGGER-throttle latch	68682	1	72	SCREW-idle adjustment	65522-A	1
	* Denotes new parts			73	SCREW-hcx, 12-24 x 5/8	80676	1

FIGURE 3

VI 123 Chain Saw

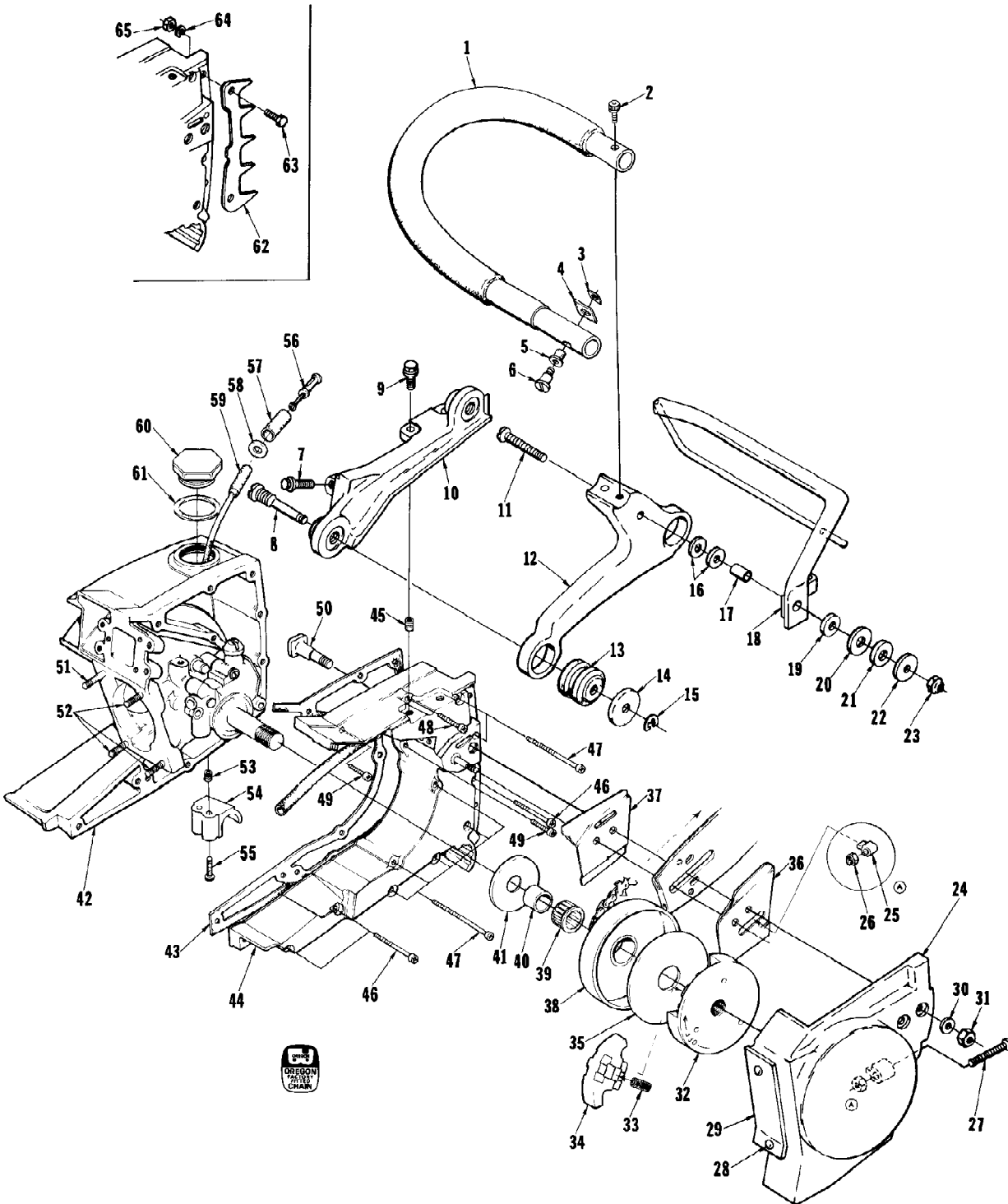


FIGURE 4

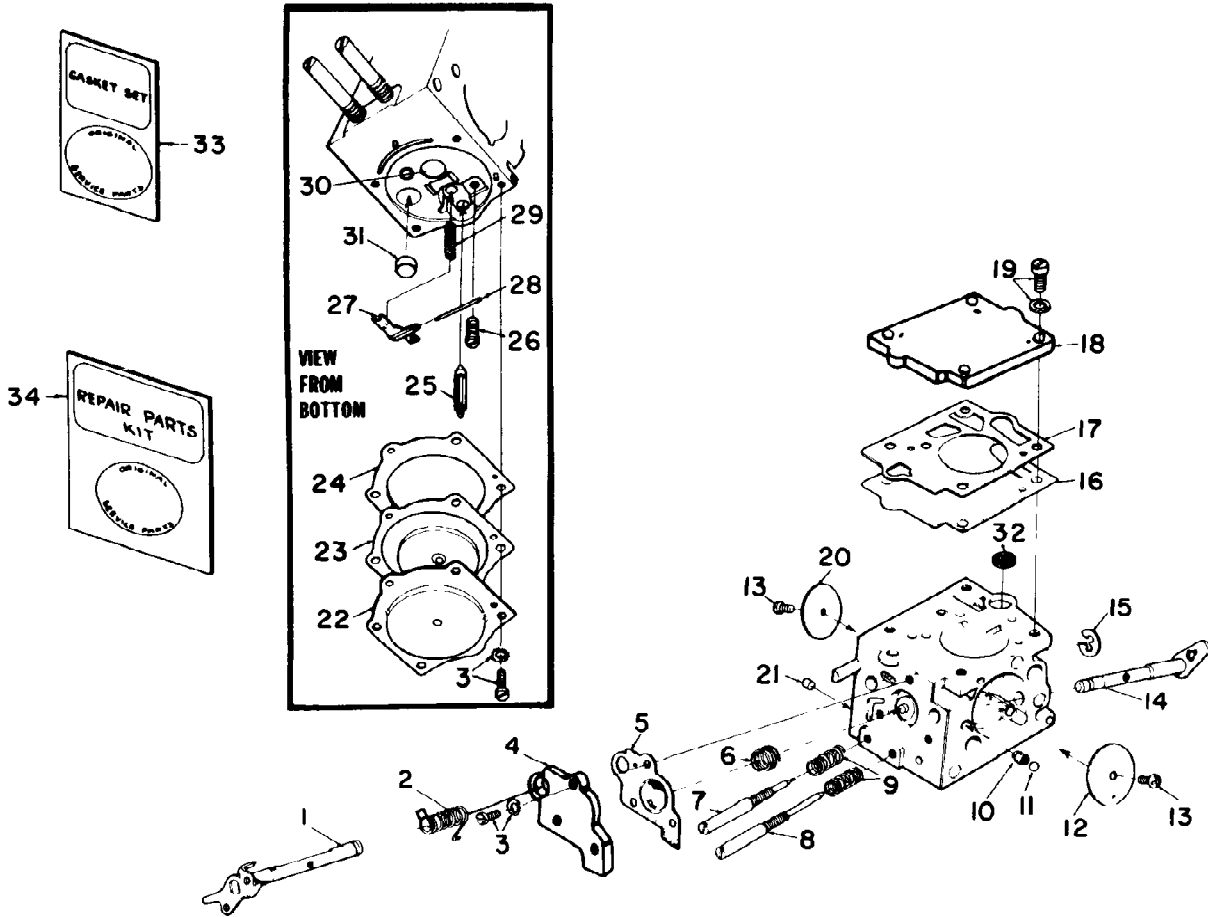
VI 123 Chain Saw

No.	Description	Part No.	Qty.	No.	Description	Part No.	Qty.
1	HANDLE BAR-flush cut	A-69033-1	1		WASHER-thrust	† 58833-1	1
2	SCREW-soc, 10-32 x 1	82126	1	39	BEARING-cage	64124	1
3	PLATE-handle bar	65670	1	40	RACE-inner	65985	1
4	PAD-handle bar	68394	1	41	WASHER-thrust	63860	1
5	GROMMET-handle bar	65122	1	*42	CRANKCASE & TANK	A-69162	1
6	SCREW-shoulder	68339	1		Includes:		
7	SCREW-hex, 12-24 x 7/8	80891	1		PIN-dowel (not shown)	71430	2
* 8	SCREW-vibration mount	68997	2		PIN-dowel (not shown)	65365	2
9	SCREW-hex, 10-32 x 5/8	80704	2		SEAL-(see fig. 2 index #28)	58308-A	1
*10	BRACKET-vibration mount	68992-2	1	43	GASKET-fuel tank	65364-A	1
11	SCREW-flat, 12-24 x 1-1/2	82223	1	44	COVER-fuel tank	A-68040	1
*12	BRACKET-handle bar	A-69164	1		Includes:		
*13	ISOLA TOR-vibration	68320	2		GASKET-check valve		
*14	WASHER	68998-1	2		(not shown)	65144	1
15	"E" RING	67857	2		CAP-check valve (not shown)	65143	1
16	WASHER-flat	84006-1	2	45	INSERT-taplock	72489	3
17	BUSHING	68934-1	1	46	SCREW-fil, 8-32 x 1-7/8	82151	3
18	GUARD-anti-kickback	A-68932-1	1	47	SCREW-fil, 8-32 x 2-3/16	82155	7
19	WASHER-flat	84099	1	48	SCREW-fil, 8-32 x 1-1/4	82152	1
20	WASHER-flat	68939-1	1	49	SCREW-fil, 8-32 x 15/16	82151	2
21	WASHER	68935	1	50	BOLT-guide bar	67193	2
22	WASHER-flat	68940-1	1	51	STUD-cylinder (long)	63868	1
23	NUT- 12-24	81222	1	52	STUD-cylinder (short)	55871	3
*24	COVER-chain	A-69090	1	53	INSERT-taplock	72482	2
	Includes:			54	STOP-handle bar	67506-2	1
25	PIN-bar adjusting	65768-1	1	55	SCREW-pan, 10-32 x 5/8	80572	2
26	NUT-lock, 10-32	81211	1	56	FILTER-fuel	A-63920	1
27	SCREW-guide bar adjusting	65175-A	1	57	Includes: FILTER-felt	64083-1	1
28	RIVET-oval head	85061	2	58	WASHER	64182	1
29	SHIELD-sawdust	64618	1	59	LINE-fuel	63544	1
30	WASHER-flat, 5/16	84032	2	60	CAP-fuel filler	A-65283-B	1
31	NUT-hex, 5/16-18	81196	2		Includes:		
	CLUTCH	A-64910	1	61	GASKET	68961	1
	Includes:				VALVE-check (not shown)	63718	1
32	PLATE-clutch	64904-1	1	62	BUMPER-spiked	† A-64722	1
33	SPRING-clutch	65642	3		Includes:		
34	SHOE-clutch	64569-3	3	63	SCREW-hex, 12-24 x 5/8	† 80676	2
35	COVER-clutch	63671	1	64	WASHER-lock, #12	† 83056	2
36	PLATE-guide bar (outer)	67299	1	65	NUT-hex, 12-24	† 81068	2
37	PLATE-guide bar (inner)	67300	1				
*38	SPROCKET & DRUM				* Denotes new parts	† Optional	
	.325 pitch, 8 tooth	A-68596	1				
	SPROCKET & DRUM (see note)	† A-64908	1				
	HUB & DRUM-splined	† A-65988	1				
	SPROCKET-splined						
	3/8 pitch, 7 tooth	† OM-68210	1				

NOTE: Sprocket & Drum A-64908 requires the use of one (1) 63860 Thrust Washer, one (1) 63990 Inner Race and one (1) 64333 Needle Bearing for proper assembly.

FIGURE 4

VI 123 Chain Saw



A-68402 (SDC-31)

No.	Description	Part No.	Qty.	No.	Description	Part No.	Qty.
1	SHAFT-throttle	64225	1	19	SCREW-fuel pump cover	64694	4
2	SPRING-throttle return	† 67006	1	20	VALVE-throttle	67700	1
3	SCREW ASSEMBLY	64689	7	21	PLUG-limiting	64692	2
4	COVER-accelerator pump	67187	1	22	COVER-metering diaphragm	64224	1
5	DIAPHRAGM-accelerator pump	† 67188	1	23	METERING DIAPHRAGM ASSEMBLY	† 64235	1
6	SPRING-accelerator pump	† 64240	1	24	GASKET-metering diaphragm	† 64231	1
7	NEEDLE-idle	† 64241	1	25	VALVE-inlet needle	† 64229	1
8	NEEDLE-high speed	† 64242	1	26	SCREW-metering lever pin	† 64688	1
9	SPRING-needle adjusting	† 64236	2	27	LEVER-metering	† 64245	1
10	SPRING-choke friction	† 64238	1	28	PIN-metering lever	† 64244	1
11	BALL-choke friction	† 64051	1	29	SPRING-metering lever	† 64237	1
12	VALVE-choke	64228	1	30	PLUG-Welch (main) 5/16	† 65482	1
13	SCREW-valve	† 64693	2	31	PLUG-Welch (idle) 3/8	† 30818	1
14	SHAFT-choke	67109	1	32	SCREEN-fuel inlet	† 64243	1
15	RING-throttle shaft retaining	64221	1	33	GASKET SET	† 67019	1
16	DIAPHRAGM-fuel pump	† 64233	1	34	REPAIR KIT	67197	1
17	GASKET-fuel pump	† 67008	1		REPAIR KIT-check valve	65386	1
18	COVER-fuel pump	67002	1				

† Contained in repair kits

‡ Contained in gasket sets

VI 123 Chain SawTools

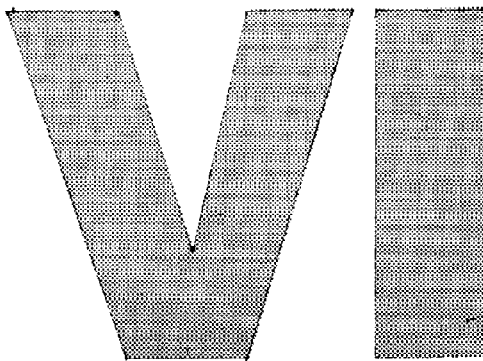
23846-2	ANVIL-roller bearing disassembly
24304	BIT-pezidriv #2
22820-5	COLLAR-bearing installation (bearing to shaft)
24173	DRIVER-check valve installation
24230	DRIVER-hand, pezidriv
A-24051	JACKSCREW- (bearing to shaft to crankcase)
24006-2	PLATE-shaft alignment
22828	PLIERS-retaining ring
A-24057	PLUG-bearing remover (back plate)
24055	PLUG-bearing & seal assembly (back plate)
A-23949	PLUG-piston pin removal
67900	Includes: "O" Ring
24054	PLUG-seal installation (crankcase)
23756	PLUG-needle bearing (connecting rod)
A-23960	PULLER-rotor removal
A-24138	REAMER-compression release
23987	SHIM-plastic (magneto air gap)
24076	SLEEVE-seal protecting (crankcase side)
23972	SLEEVE-seal installation
23136-1	SLEEVE-bearing & shaft installation
23759	SLEEVE-seal protection (back plate)
A-23934	SPANNER-clutch
23954	Includes: PIN-clutch spanner
A-23937-B	WRENCH-combination
23528	WRENCH-socket screw (connecting rod)

Accessories

68470-1	CAP-muffler (diffuser type, without shield)
65543-1	HEAT EXCHANGER
A-24450	KIT-guide bar plate
A-24273	KIT-ignition
A-24267-B	KIT-starter rope
68282	REEL-250' starter rope
A-64818	SPARK ARRESTER (reed muffler)

Paint

22772	SPRAY CAN-black
23475	SPRAY CAN-red



• Maxtron
DIVISION

PORT CHESTER, NEW YORK, U.S.A. 10573