

REVISION 3
PART NO. 17068
Printed in U.S.A.
Price .35¢

parts list

HOMELITE®

VI Super 2

VI Super 2 SL

Chain Saws



HOMELITE **TEXTRON**

Homelite Division of Textron Inc

VI SUPER 2, VI SUPER 2 SL

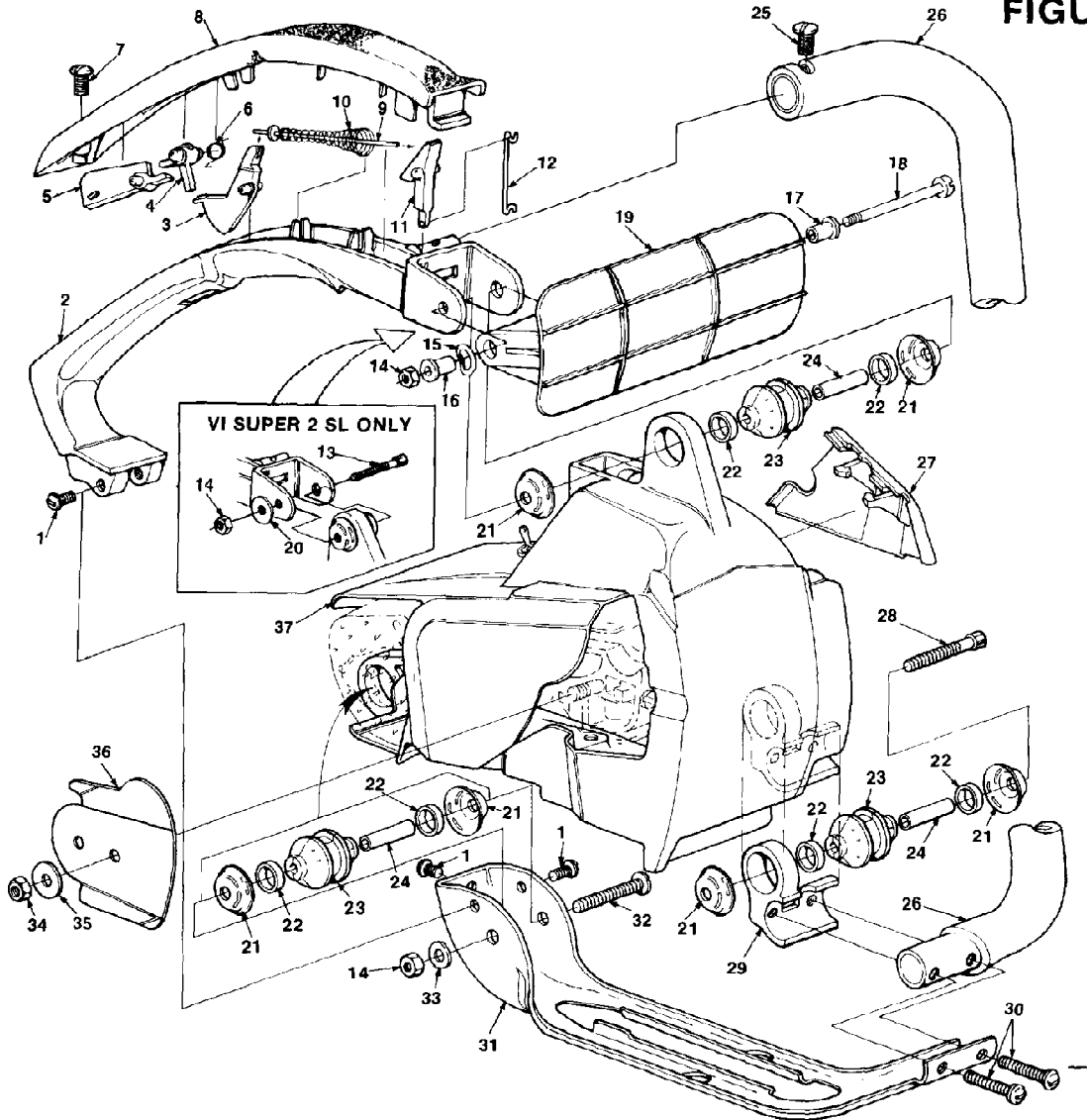
ACCESSORIES

GASKET- Oil pump body	69596
KIT- Spark arrestor (for A-69253-1 Muffler)	A-69586-B
Includes:	
SCREW- Self tapping (#6 x 1/4) (3)	80328
ROPE- Starter #4 (250 ft)	68848
SAFE•T•TIP® (standard)	A-70776-A
Includes:	
SCREW (8-32 x .437)	93695
TUBING- Rubber (10 ft.)	70309-99
TUBING- Rubber (10 ft.)	70310-99
CARRY CASE- Black	94216
KIT- Sprocket bar repair	A-70239-C
Includes:	
BEARING- Guide Bar	70737
RIVET- Flat cks. hd.	96623

TOOLS

PULLER- Magneto rotor	A-24747-A
Includes	
BOLT- 5/16 - 18 x 1 3/4	80288
NUT- Hex 5/16 - 18 (2)	81196
WRENCH- Spanner (clutch)	A-93791
Includes	
PIN	23717-A
WRENCH- Flat (for guide bar nut) (Opt.)	24814
DRIVER- Check valve (for HDC-67 carb.)	24972
PLIERS- Tru-Arc	17198

VI SUPER 2, VI SUPER 2 SL
FIGURE 1

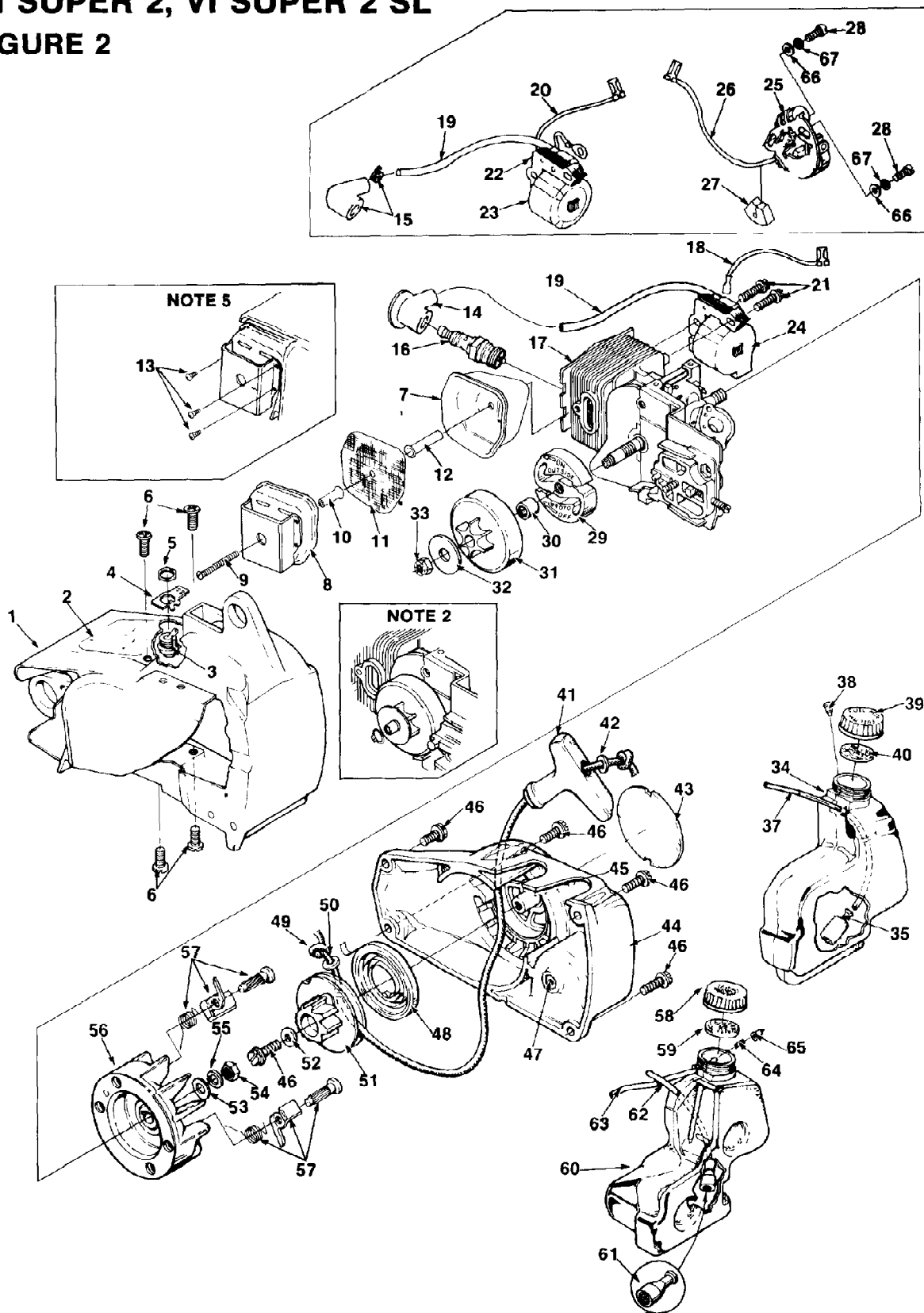


NO.	DESCRIPTION	PART NO	QTY.	NO.	DESCRIPTION	PART NO.	QTY.
1	SCREW- Pan hd (8-32 x 3/8)	80577	3	23	ISOLATOR- Vibration	70485-A	3
2	HANDLE- Throttle (see note 1)	70568-2A	1	24	SPACER- Isolator	70433	3
	HANDLE- Throttle (see note 1)	70568-4	1	25	SCREW- Pan washer hd (10-32 x 5/8)	82239	1
3	TRIGGER	70619	1	26	HANDLE BAR	A-70604	1
4	STOP- Throttle safety	70593	1	27	COVER- Air filter	70571	1
5	LEVER- Throttle safety	70594	1	28	SCREW- Cap hex soc (10-32 x 1 3/4)	82310	1
6	SPRING- Torsion	70591	1	29	BRACKET- Isolator mtg	70558-2A	1
7	SCREW- Pan hd (#10-32 x 5/8)	82239	1	30	SCREW- Hex hd (10 32 x 1 3/16)	80841	2
8	COVER- Handle	70626	1	31	BRACE- Handle	70554-1	1
9	ROD- Throttle	A-70614	1	32	SCREW- Pan hd (10-32 x 1 3/4")	82317	1
10	SPRING- Throttle rod	69249	1	33	WASHER- Flat (10)	84008	1
11	LEVER- Throttle	69107	1	34	NUT- Guide bar (1/4-28)	81065-2	1
12	ROD- Throttle	70612	1	35	WASHER- Flat	69309-A	1
13	SCREW- Cap hex soc hd (10-32 x 1 3/4) (see note 2)	82310	1	36	PLATE- Guide bar	69360-1	1
14	NUT- Hex (10-32)	81206	2	37	HOUSING- Engine (see fig 2 for breakdown)	A-70662-C	1
15	WASHER	95813	1				
16	BUSHING	95814	1				
17	BUSHING	95815	1				
18	SCREW- Mach pan hd	95869	1				
19	GUARD- Hand	95716	1				
20	WASHER- Flat	70632	1				
21	WASHER- Isolator	70440-A	6				
22	RING- Isolator	70432-A	6				

NOTE 1: Units prior to Lot #1090 and chain brake units only.

NOTE 2: For units with steel hand guard 70802-1 require 70728 3 bellville washer and 70748 spacer, and screw 82321.

VI SUPER 2, VI SUPER 2 SL
FIGURE 2



**VI SUPER 2, VI SUPER 2 SL
FIGURE 2**

NO.	DESCRIPTION	PART NO.	QTY.	NO.	DESCRIPTION	PART NO.	QTY.
1	HOUSING- Engine	A-70662-C	1	44	HOUSING- Rewind starter	A-70663	1
	Includes:				Includes:		
2	PLATE- Instructions	70835	1	45	FILTER- Fuel tank valve	69443	1
3	SWITCH- Stop (grounding)	A-63938	1	46	SCREW- Hex washer hd. (10-32 x 5/8)	80572	4
	Includes:			47	NUT- Center locking hex (#10-32)	81206	1
4	PLATE- On-Off	70834	1	48	SPRING- Rewind	69217	1
5	NUT- Hex	72084-A1	1	49	ROPE- Starter (#4, 34" long)	A-93874-A	1
6	SCREW- Pan hd. 10-24 x 1/2	96620	4		Includes:		
7	MUFFLER	A-94051-B	1	50	WASHER- Nylon	93862	1
	Includes:			51	PULLEY- Starter	69158-A	1
8	CAP- Muffler	A-95428	1		PULLEY- Starter (alternate)	94562-A	1
9	SCREW- (10-24 x 1 3/4)	82320	1	52	WASHER- Flat	63606-1	1
	SPARK ARRESTOR	A-94139	1	53	WASHER- Flat	84065-1	1
	Includes:			54	NUT- Hex	81117	1
10	SPACER	93989	1	55	WASHER- Lock	83002	1
11	SCREEN- Spark arrestor	D-93991	1	56	ROTOR & STARTER PAWL (Solid State)	A-96714	1
12	SPACER	93990	1		ROTOR & STARTER PAWL (Point Ignition—)	A-69297-B	1
13	SCREW- #4 x .250 (note 5)	82342	3		Includes:		
14	TERMINAL- Spark plug (solid state) (serviced with item #15)			57	KIT- Starter pawl (see note 4)	A-70285-C	2
15	TERMINAL- Spark plug (point ignition)	A-33055	1	58	CAP- Oil	A-70893-B	1
16	SPARK PLUG— Champion DJ-7J	68616-S	1		Includes:		
17	See Figure 3			59	GASKET- Fuel filler cap (see note 3)	94838-A	1
18	LEAD- Ground (Solid State)	A-94721	1	60	TANK- Oil	A-70583-A	1
19	LEAD- High tension (see note 1)	69326	1		Includes:		
20	LEAD- Ground (point ignition)	A-95051	1	61	FILTER- Oil	A-68593	1
21	SCREW- Hex w/washer (8-32 x 3/4)	82248	2	62	TUBING- Rubber 6"	70309-24	1
22	CORE- Coil (point ignition)	69324	1	63	LINE- Pressure	A-69358-B	1
23	COIL- Ignition (point ignition)	69323	1		Includes:		
	RETAINER- Coil (not shown) (point ignition)	69325	1	64	CONNECTOR- Oil line	69659-B	1
24	MODULE- Ignition (Solid State) (note 6)	94711	1	65	VALVE- Check (Duckbill)	69451	1
25	POINT SET- Breaker (point ignition)	A-69336	1	66	WASHER- Flat (Point Ignition)	84025	2
	Includes:			67	WASHER- Lock (Point Ignition)	83060	2
26	LEAD- Electrical (point ignition)	70249	1				
27	SEAL- Lead (point ignition)	69247	1				
28	SCREW- Fil hd. (6-32 x 3/8) (point ignition)	88026	2				
29	CLUTCH "S" (see note 2)	A-70351-A	1				
30	BEARING- Clutch	68512	1				
31	SPROCKET & DRUM 3/8" 6-tooth	A-70221-C	1				
32	WASHER- Thrust (clutch)	95299	1				
33	NUT- Locking 5/16-24 (see note 2)	81112	1				
34	TANK- Fuel	A-70582-A	1				
35	FILTER- Fuel	96639	1				
37	TUBING- Rubber 9 1/2"	70310-38	1				
38	VALVE- Check (Duckbill)	69451	1				
39	CAP- Fuel (red)	A-70894-B	1				
	Includes:						
40	GASKET- Filler cap (see note 3)	94838-A	1				
41	GRIP- Starter rope	70211	1				
42	WASHER- Flat	84025	1				
43	DECAL (VI Super 2)	70800	1				
	DECAL (VI Super 2SL)	70798	1				

NOTE 1: For solid state ignition cut wire to 6 1/2".

NOTE 2: Crankshafts without threaded clutch end require retaining ring 93972.

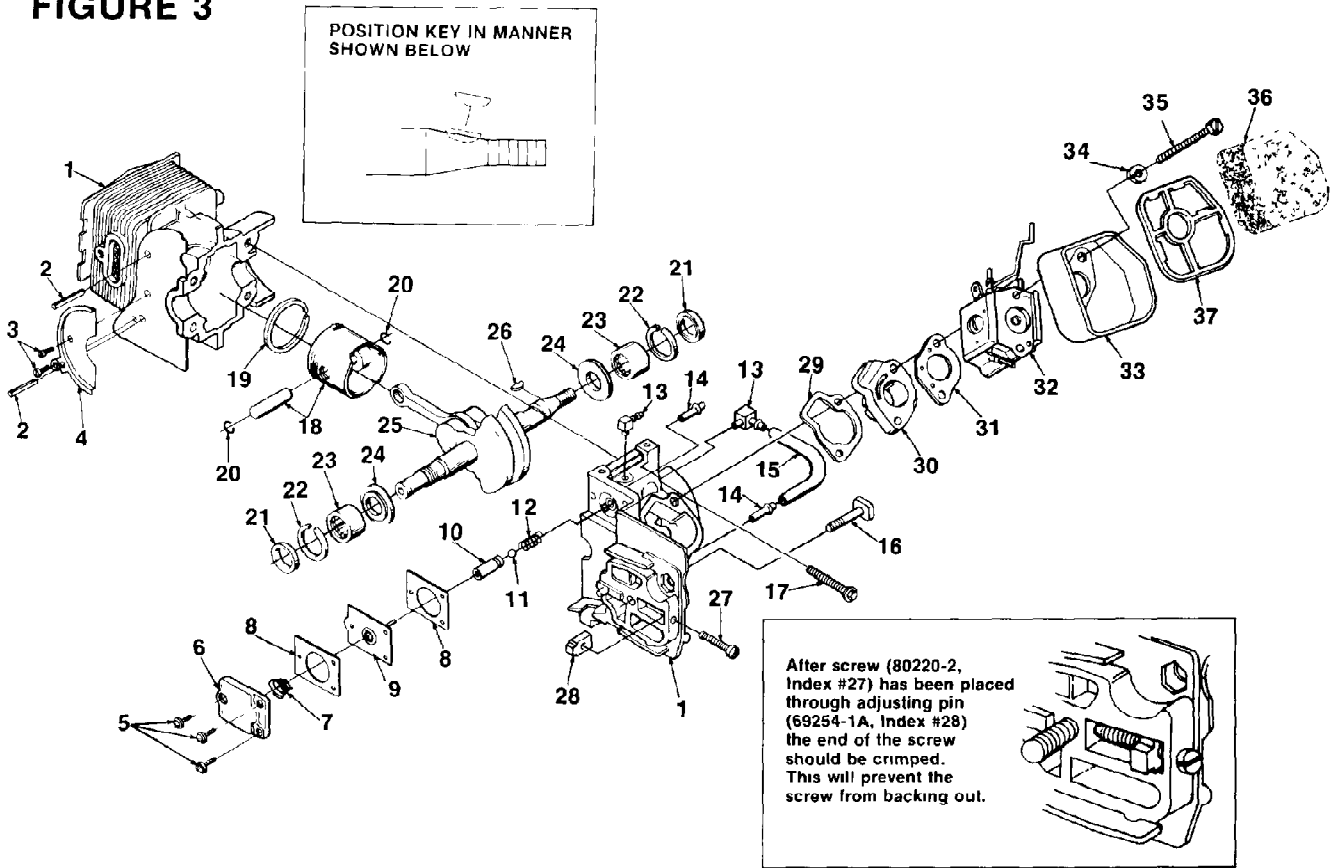
NOTE 3: Use 70826 Gasket in A-70893 and A-70894 external thread caps. Use 69585 Gasket for caps with internal threads.

NOTE 4: Replacement starter pawl kit, item #57 includes an over sized pin. Paint, stamp or mark to identify over sized pin can be installed tightly only once. If oversized pin is removed, the entire rotor assembly must be replaced.

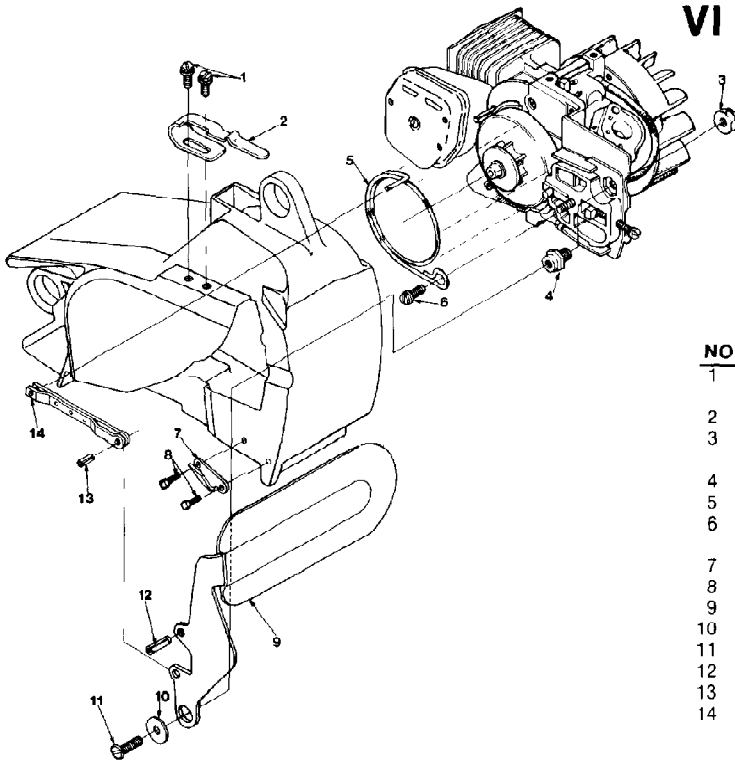
NOTE 5: Units with separate shield requires index #13 screw. All new muffler cap A-95428 includes a shield welded to cap.

NOTE 6: Module 94711 includes items 15 and 19.

VI SUPER 2, VI SUPER 2 SL
FIGURE 3



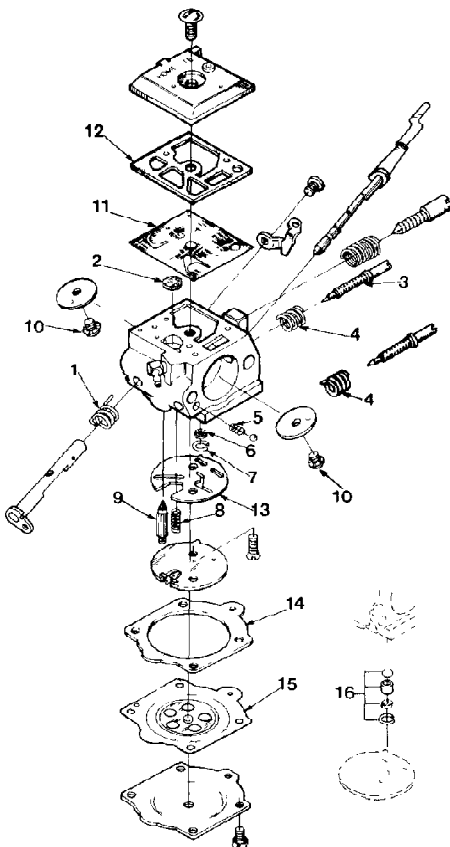
NO	.DESCRIPTION	PART NO.	QTY.	NO.	.DESCRIPTION	PART NO.	QTY.
1	CRANKCASE & CYLINDER (Solid State) VI Super 2	A-95072	1	18	PISTON & PIN Includes	A-70224-A	1
	CRANKCASE & CYLINDER (Point Ignition)	A-70226	1	19	PISTON RING	70205	1
	CRANKCASE & CYLINDER (Solid State) VI Super 2SL	A-95073	1	20	RING- Piston retaining	65261	2
	CRANKCASE & CYLINDER (Point Ignition)	A-70837	1	21	SEAL	94638	2
2	PIN- Roll (VI Super 2SL only)	70763	2	22	SPACER- Seal	69407	2
3	SCREW- Tapping pan (VI Super 2SL only)	93932	2	23	BEARING- Needle	12530	2
4	PLATE- Retaining (VI Super 2SL only)	70724	1	24	WASHER- Thrust	69093-B	2
5	SCREW- Pan hd (6-32 x 3/8)	80571	3	25	CRANKSHAFT- (Solid State-- CRANKSHAFT- (Point Ignition)	A-96384 A-96385	1 1
6	COVER- Oil pump	69224-1C	1		Includes		
7	SPRING- Oil pump	69447	1		NUT (not shown)	81112	1
8	GASKET- Oil pump	69244-1	2	26	KEY- Magneto (see insert)	69250	1
9	PLUNGER- Oil pump	A-12356-B	1	27	SCREW- Adjusting fil hd (8-32 x 1)	80220-2	1
10	BODY- Oil pump	69343-1	1	28	PIN- Adjusting	69254-1A	1
11	BALL- Check valve	60051	1	29	GASKET- Intake manifold	69143	1
12	SPRING- Check valve	68570	1	30	MANIFOLD- Intake	A-69373-A	1
13	FITTING- Oil line	70204	2	31	GASKET- Carburetor	65016	1
14	FITTING- Tube	69833	2	32	CARBURETOR- HDC 67	A-96621	1
15	LINE- Oil	70161	1	33	CUP- Air filter	70057	1
16	BOLT- Guide bar	69195	1	34	WASHER- Lock #10	83006-1	2
17	SCREW- Sems hex hd, (8-32 x 1)	88044	4	35	SCREW- Hex hd (10-32 x 2 1/4)	80481	2
				36	FILTER ELEMENT- Air	70566	1
				37	RETAINER- Air filter	70556	1



**VI SUPER 2, VI SUPER 2 SL
FIGURE 4**

**VI SUPER 2 SL
CHAIN BRAKE &
HAND GUARD**

NO.	DESCRIPTION	PART NO.	QTY.
1	SCREW- Hex hd w/washer 8-32 x 3/8	88026	2
2	CLIP- Retaining	70732	1
3	NUT- Hex 3/8-24 Power head (see figure 3 for breakdown)	81192	1
4	POST- Chain brake	70636	1
5	BAND- Brake	70637	1
6	SCREW- Hex (10-24 x 1/2) w/washer	88049	1
7	STOP- Chain	93649	1
8	SCREW- (8-32 x 500)	88042	2
9	HAND GUARD	A-94600	1
10	WASHER- Flat	70632	1
11	SCREW- (10-32 x 1/2)	82166	1
12	PIN- Roll (3/16 x 9/16)	93069	1
13	PIN- Spring (18-1/4)	57721	1
14	LINK- Pivot	A-70767	1



**CARBURETOR
A-96621
HDC-67**

- 94056** Repair Kit (includes 1-15)
- 94701** Gasket/Diaphragm kit (includes 11-15)
- 93910-A** Check valve repair kit (#16)
- 64229** Inlet Needle (#9)

ALWAYS FURNISH MODEL AND SERIAL NUMBER WHEN ORDERING PARTS

Homelite Division of Textron Inc.

14401 CAROWINDS BOULEVARD
CHARLOTTE, NORTH CAROLINA 28217

HOMELITE **TEXTRON**

Homelite Division of Textron Inc