

Super 1130G Chain Saw UT-10310
Carburetor Chamber

Page 2 of 18

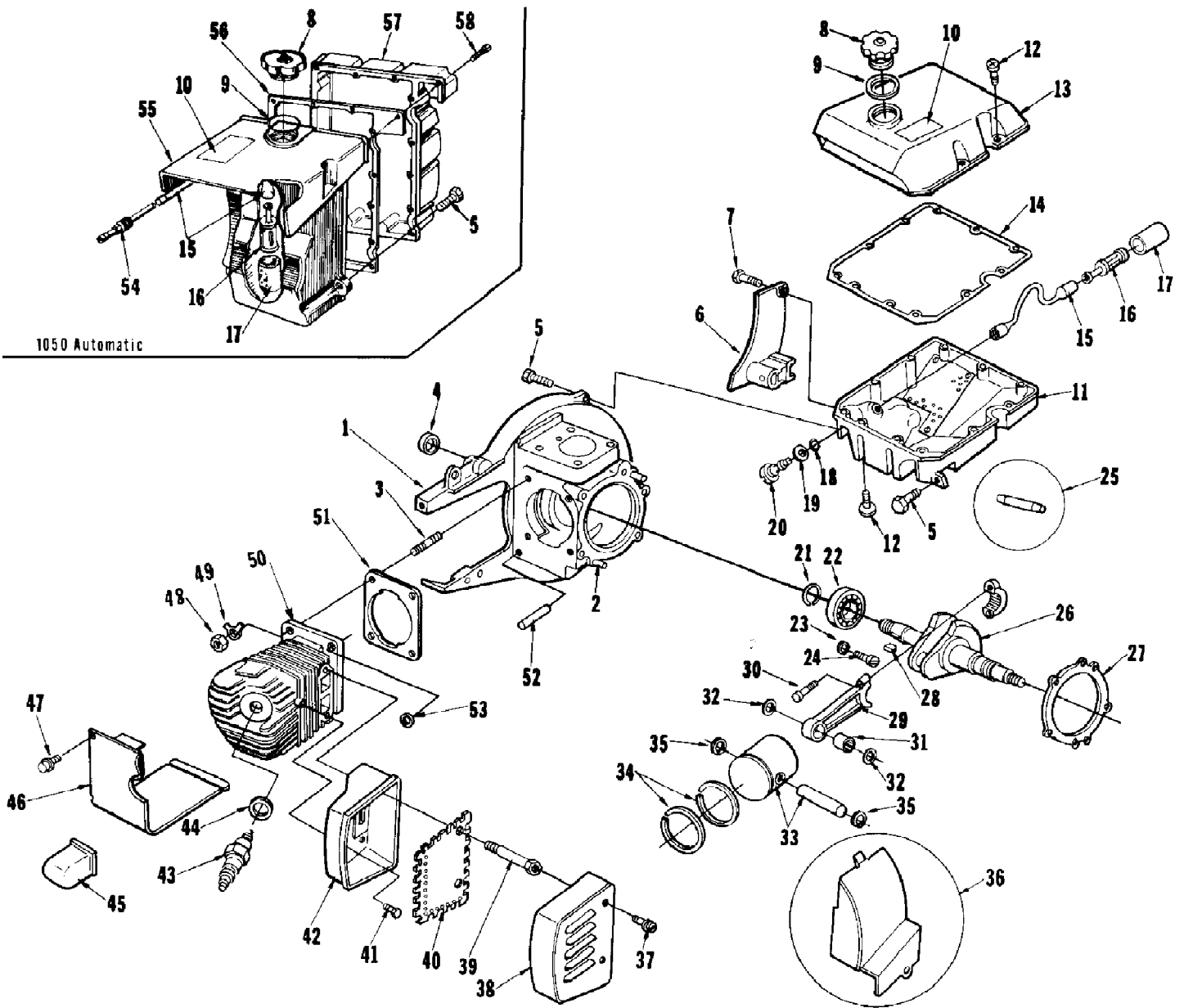
Ref #	Part Number	Qty	S/P/F	Description
1	58319A	1	/P	RING- Retaining
2	592301	1	S	COVER- Air filter
3	A70326	1		NUT- Cover
4	A69306	1		FILTER ELEMENT- Air
5	80658	8		SCREW- Pan hd., 4-40 x 3/16
6	59629	4		CLAMP- Reed
7	59628	4		REED- Valve
8	596272	1		SEAT- Reed valve
9	559461	1	/P	GASKET- Spacer-adapter
10	63655A	1		GASKET- Carburetor
11	80864	5	/P	SCREW- Hex hd., 12-24 x 1
12	80882	2		SCREW- Hex hd., 1/4-20 x 1-1/2
13	A70405	1		BRACKET & STUD
14	A703871	1		MANIFOLD- Intake
15	597222	1		GASKET- Carburetor
16	A70602A	1		CARBURETOR (SDC-74)
17	80245	2		SCREW- Hex mach., 10-32 x 2.25
18	703891	1		TUBE- Spitback
19	A70404	1	F	ROD- Choke
20	86324	1	/P	PIN- Cotter
21	70396	1	F	ROD- Throttle
22	58348	1		BOOT- Throttle rod
23	58181A	1		TRIGGER- Throttle
24	58353	1		SHAFT- Throttle trigger
25	58352A	1		SPRING- Throttle trigger
26	58409	1	/P	RING- Retaining
27	58405	1		SPRING- Throttle latch
28	58404	1		PIN- Throttle latch
29	80676	3	/P	SCREW- Hex hd. 12-24 x 5/8
30	637332A	1		SHIELD- Muffler
31	58357	1		BUTTON- Oil rod
32	58356B	1		ROD- Oil pump (S1050 AO)
	63127A	1		ROD- Oil pump (S1130G)
33	58185A1	1		BRACE- Throttle handle
34	80867	3	/P	SCREW- Hex hd., 12-24 x 3/4
35	69092	1		SLEEVE- Grounding switch
36	A576503A	1	S	SWITCH- Toggle
37	72084A1	1	S	NUT
38	70839	1	S	PLATE- ("RUN-STOP")
39	A63665	1		HANDLE- Throttle (carb. chamber)
40	A69514	1		PLUG- Button w/59765 "O" Ring
41	A64744	3		PLUG- Button w/59765 "O" Ring
42	59064	1		BUSHING- Nylon
43	58929	2		BUSHING- Nylon
44	58930	1		STOP- Oil pump rod
45	86301	1		PIN- Cotter
46	63290	1		FELT
47	58362	1		GROMMET
48	572891	1		BUTTON- Rod
49	58343	2		GASKET- Spacer
50	58391	1		SPACER
51	7030824	1	F	TUBING- Rubber (fuel line)
52	70681	1		PLUG- Cylinder tube (S1050E only)

Super 1130G Chain Saw UT-10310
 Carburetor Chamber

Page 3 of 18

Ref #	Part Number	Qty	S/P/F	Description
53	58392	1		GASKET- Stud
54	58361	1		STUD- Cover
55	581832	1		MANIFOLD- Intake
56	27464	2		STUD- Carburetor
57	63655A	2		GASKET- Carburetor
58	83009	2	/P	WASHER- Lock 1/4"
59	81013	2		NUT- Hex, 1/4-20
60	55946	1	S	GASKET- Spacer adapter
61	596271	1		SEAT- Reed valve

Super 1130G Chain Saw UT-10310
Engine Internals, Tanks & Muffler

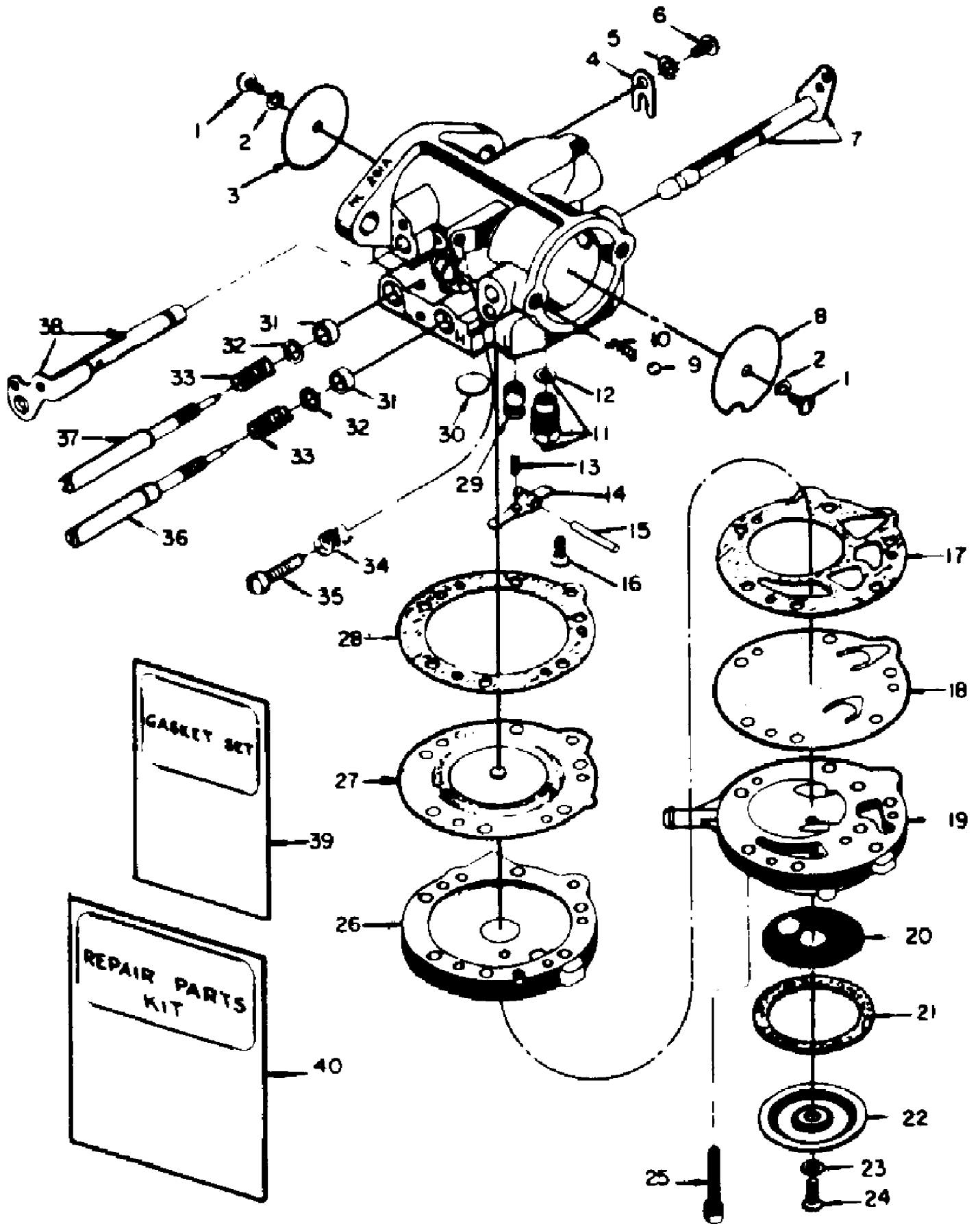


Ref #	Part Number	Qty	S/P/F	Description
1	A64532	1		CRANKCASE- W/pins
2	74332	2		PIN- Dowel
3	727871	4		STUD
4	58308B	1	S	SEAL
5	80867	3	/P	SCREW- Hex, 12-24 x 3/4
6	596352	1		BRACKET- Handle bar
7	80891	1	/P	SCREW- Hex, 12-24 x 7/8
8	A65741A	1		CAP- Fuel tank
9	65358	1		GASKET
	69451	1	/P	VALVE- Vent (Not shown)
10	69847	1		LABEL- Warning
11	A67739	1		TANK- Fuel W/screen
12	82146	11	S	SCREW- Fil, 8-32 x 5/8
13	596873	1		COVER- Fuel tank
14	67677	1		GASKET- Fuel tank
15	55805	1	S	FLEXIBLE LINE
16	A59251	1	S	FILTER ASSEMBLY
17	592531	1	S	FILTER
18	67900	1	/P	"O" RING
19	631751	1		GASKET
20	63132	1		FITTING- Fuel
21	58319A	1	/P	RING- Retaining
22	58190S	1	S	BEARING- Ball
23	83061	2	/P	WASHER- Lock
24	192383	2		SCREW- Bearing retaining
25	A69062	1		ROLLERS- Set of 31
26	A64351	1		CRANKSHAFT
27	63356	1	/P	GASKET
28	75078	1		KEY- Woodruff
29	A69170	1		CONNECTING ROD
30	80345	2		SCREW- 10-32 x 5/8
31	59606	1		BEARING- Needle
32	68719	2		WASHER- Thrust
33	A69189A	1		PISTON & PIN
34	56291	2	/P	PISTON RING
35	64743	2		RING- Retaining
36	631031	1		EXCHANGER- Heat (optional)
37	80837	2	S	SCREW- Hex, 12-24 x 3/8
38	A644642	1		CAP- Muffler
39	59982B	2		STUD- Muffler
40	599781	1		BAFFLE- Muffler
41	80402	1	S	SCREW- Hex, 1/4-20 x 5/8
42	A599272	1		BODY- Muffler
43	63547S	1	/P	SPARK PLUG
44	25038	1		GASKET
45	63735A	1		CAP- Spark plug
46	A637361	1		CYLINDER SHIELD
47	808691	2	S	SCREW- Hex , 10-24 x 3/8
48	25412	4		NUT- Hex 5/16-24
49	83002	1	/P	WASHER- Lock
50	A69712A	1	S	CYLINDER
51	64453	1		GASKET
52	55290	1		SLEEVE- Insulating

Super 1130G Chain Saw UT-10310
Engine Internals, Tanks & Muffler

Page 6 of 18

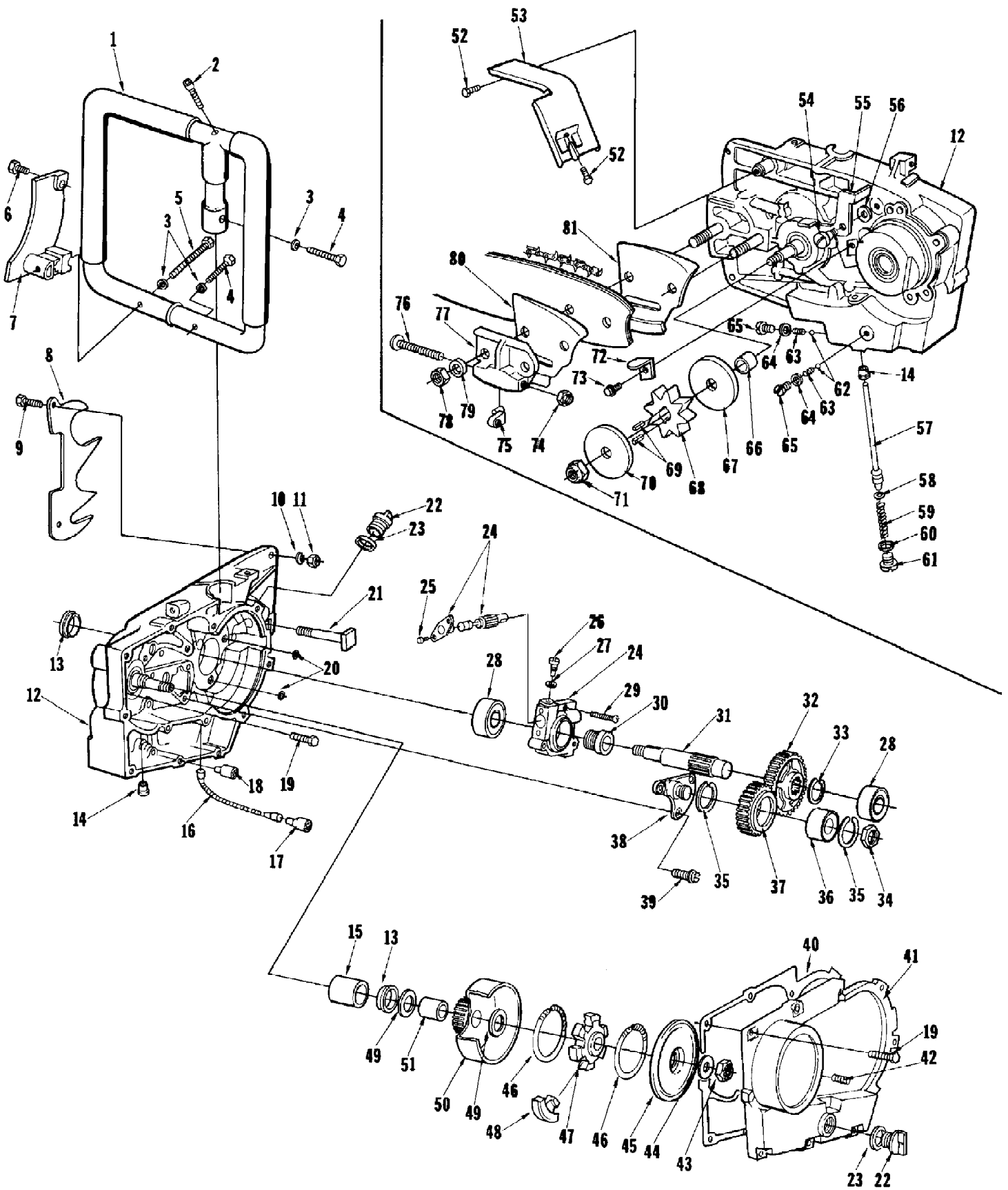
Ref #	Part Number	Qty	S/P/F	Description
53	83002	3	/P	WASHER- Lock, 5/16
	A635181A	1		ACCESSORIES (Not shown) SPARK ARRESTOR



Super 1130G Chain Saw UT-10310
Fuel Pump

Page 8 of 18

Ref #	Part Number	Qty	S/P/F	Description
1	80591	2	F	SCREW- Rd hd., 4-40 x 1/4
2	830081	2	F	WASHER- Lock
3	64623	1		SHUTTER- Throttle
4	73086	1		CLIP- Throttle shaft
5	83000	1		WASHER- Lock, #8
6	73088	1		SCREW- Flat hd., 8-32 x 5/16
7	A64627	1		SHAFT & LEVER- Choke
8	64625	1		SHUTTER- Choke
9	25527	2		BALL- Check, 5/32" diameter
10	73264	1		SPRING- Choke friction
11	A64628	1		NEEDLE & SEAT
12	55344	1		GASKET- Inlet seat
13	65603	1	F	SPRING- Control lever
14	55747	1	F	LEVER- Inlet control
15	64622	1	F	PIN- Fulcrum
16	58992	1	F	SCREW- Fulcrum pin retaining
17	58529	1		GASKET- Pump diaphragm
18	57729	1	F	DIAPHRAGM Fuel pump
19	59265	1		BODY- Fuel pump
20	58527	1	F	SCREEN- Fuel inlet
21	55751	1		GASKET Pump strainer
22	58526	1		COVER- Strainer
23	28098	1		GASKET- Strainer cover screw
24	58525	1	F	SCREW- Pump cover
25	55316	6		SCREW- Body w/lock washer
26	A58533	1		COVER- Main diaphragm
27	57829	1	F	DIAPHRAGM- Main control
28	57824	1		GASKET- Cover diaphragm
29	A77429	1		NOZZLE- Main
30	30818	1	S	PLUG- Expansion
31	75733	2		PACKING- Adjusting screw
32	75735	2		WASHER- Adjusting screw
33	73075	2	F	SPRING- Adjusting needle
34	28064	1	F	SPRING- Throttle stop
35	71509	1	F	SCREW- Idle stop
36	65604	1		NEEDLE- Adjusting (main mixture)
37	58680	1		VALVE- Needle (idle mixture)
38	A64626	1		SHAFT & LEVER- Throttle
39	68657	1	F	GASKET & PACKING SET
40	68663	1		REPAIR PARTS KIT
	63590	1		GASKET & DIAPHRAGM SET



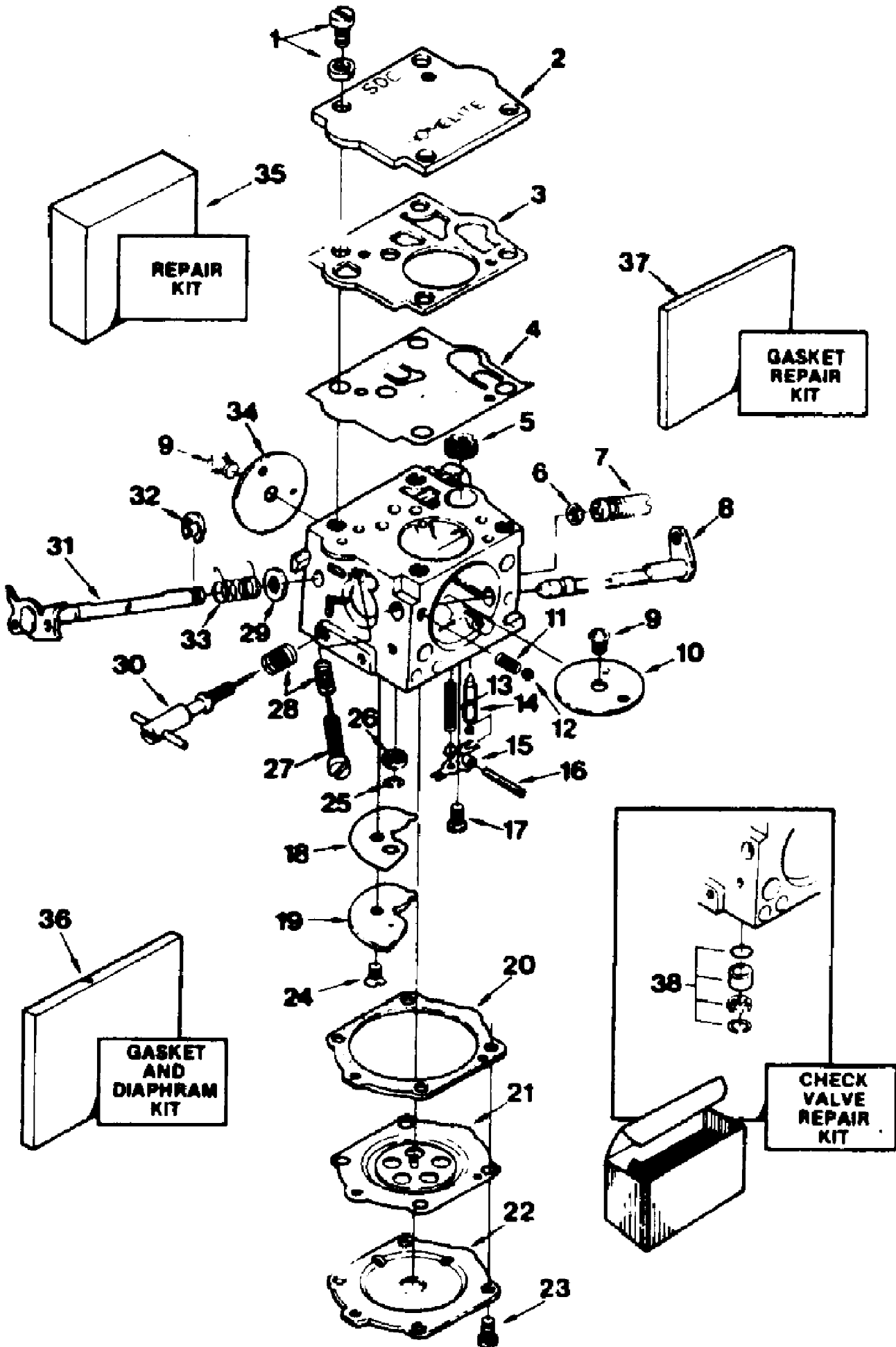
Ref #	Part Number	Qty	S/P/F	Description
1	A69268	1		HANDLE BAR Denotes new parts
	A63136	1		HANDLE BAR- Wrap around
2	80308	1		SCREW- Soc, 5/16-18 x 1
3	83003	3	S	WASHER- Lock, 5/16
4	80087	2	/P	SCREW- Hex, 5/16-18 x 1-1/2
5	80698	1		SCREW- Hex, 5/16-18 x 3-1/4
6	80891	1	/P	SCREW- Hex, 12-24 x 7/8
7	596352	1		BRACKET- Handle bar
8	A63413	1		KIT- Spiked bumper (long spikes)
9	801813	2		SCREW- Hex, 1/4-20 x 7/8
10	83009	2	/P	WASHER- Lock, 1/4
11	81053	2		NUT- 1/4-20
	A63138	1		KIT- Spiked bumper (Not shown) short spikes
	802181	2	S	SCREW- Hex, 1/4-20 x 3/4
	83009	2	/P	WASHER- Lock, 1/4
	81053	2		NUT- 1/4-20
12	A63398C	1		HOUSING- Gear
13	56256B	2	/P	SEAL
14	59064	1		BUSHING- Rod
	59532	1		ELBOW- (Not shown)
15	76167S	1		BEARING
16	59674	1		LINE- Oil
17	A64293	1		FILTER- Oil (automatic)
18	A63116	1		FILTER- Oil (manual)
19	80867	17	/P	SCREW- Hex, 12-24 x 3/4
20	59074	2	/P	"O" RING
21	58334	2		BOLT- Guide bar
22	A63717C	2	/P	CAP- Filler (oil)
	69451	1	/P	VALVE- Check (Not shown)
	56607	1	/P	GASKET
23	UNKNOWN	1		UNKNOWN
24	A63092	1		PUMP- Automatic oil
25	80919	2		SCREW- Pan, 4-40 x 1/4
26	64102A	1		SCREW- Cam
27	59736	1		GASKET
28	63107S	2	S	BEARING- Ball
29	80568	3		SCREW- Hex, 8-32 x 7/8
30	63084A	1		WORM- Gear
31	59277A	1		SHAFT- Sprocket
32	592761	1		GEAR- Driven; 3:1 ratio, 64 teeth
	592981	1		GEAR- Driven; 2:1 ratio, 42 teeth
33	63108	1		RING- Retaining
34	57768A	1		NUT- Idler gear
35	28922	2		RING- Retaining
36	72328S	1		BEARING- Ball
37	59250	1		GEAR- Idler
38	592591A	1		POST- Idler gear
39	63407	3	/P	SCREW- Hex, 1/4-20 x 3/4
40	63124	1		GASKET
41	596314	1		COVER- Gear housing
42	28097	1		PLUG- Pipe
43	81192	1	S	NUT- Hex, 3/8-24
44	55036	1		WASHER

Super 1130G Chain Saw UT-10310
Gearcase & Clutch

Page 11 of 18

Ref #	Part Number	Qty	S/P/F	Description
45	58023A	1		COVER- Clutch
46	67441	2		SPRING- Clutch
47	585473A	1		SPIDER- Clutch
48	A67519	6		SHOE- Clutch
49	56132	2		WASHER- Thrust
50	A63123	1		DRUM- Clutch w/gear
51	56603	1		BEARING- Sleeve
52	80837	3	S	SCREW- Hex, 12-24 x 3/8
53	A63776	1		GUARD- Chain
	63715	1		DEFLECTOR-Sawdust(Not shown)
	85125	3		RIVET- (Not shown)
54	59591	1		SCREW- Pivot
55	59592	1		BELL CRANK
56	63109	1		WASHER- Thrust
57	A63112	1		PLUNGER- Oil pump
58	74388	1	S	"O" RING
59	59293	1	/P	SPRING- Compression
60	58138	1		WASHER
61	63115	1		CAP- Oil pump
62	25527	2		BALL- Check
63	59022	2		SPRING- Check valve
64	65144	2		GASKET- Check valve cap
65	65143	2		CAP- Check valve
66	59697	1		SPACER- Sprocket
67	56074	1		WASHER- Sprocket (inner)
68	555933	1		SPROCKET- 1/2" pitch, 8 tooth
	70353	1		SPROCKET- .404 pitch, 8 tooth
69	560761A	2		KEY- Sprocket
70	56077	1		WASHER- Sprocket (outer)
71	81101	1		NUT- Hex, 1/2-20
72	63110	1		BRACKET- Rod
73	808691	1	S	SCREW- Hex, 10-24 x 3/8
	A55591	1		PLATE- Adjusting
74	81235	1		NUT- Hex lock
75	555521	1		PIN- Guide bar adjusting
76	82219	1		SCREW- Rd, 5/16-18 x 2-1/8
77	555512	1		PLATE
78	810892	2	/P	NUT- Hex, 3/8-16
79	83018	2	/P	WASHER- Lock, 3/8
80	56957B	2		PLATE- Guide bar (outer)
81	56956B	1		PLATE- Guide bar (inner)

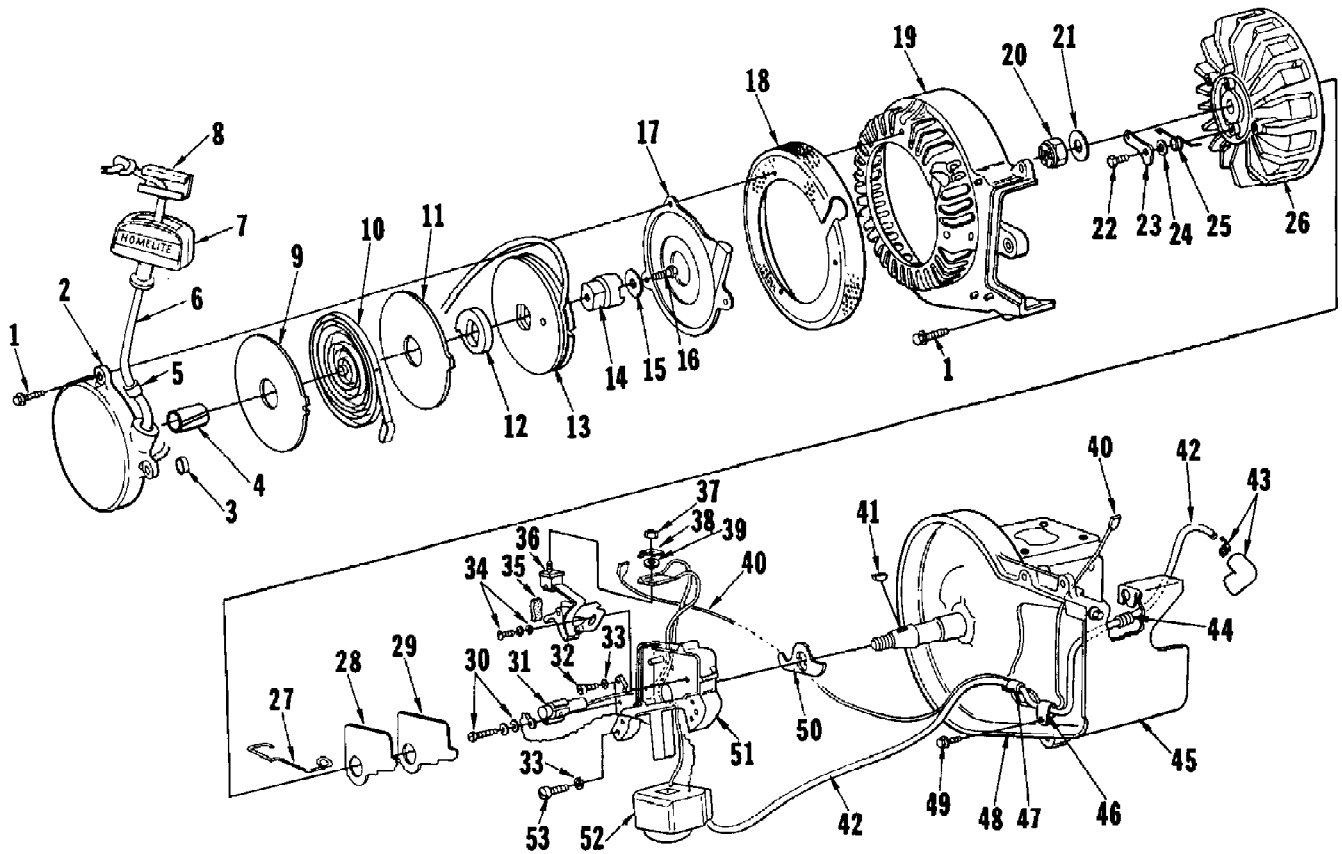
Super 1130G Chain Saw UT-10310
SDC-60 SDC-74 Carburetor



Super 1130G Chain Saw UT-10310
SDC-60 SDC-74 Carburetor

Page 13 of 18

Ref #	Part Number	Qty	S/P/F	Description
1	64694	4		SCREW- Pump cover
2	67002	1		COVER- Fuel pump
3	67008	1	F	GASKET- Pump
4	64233	1	F	DIAPHRAGM- Pump
5	64243	1	F	SCREEN- Inlet
6	70676	1		WASHER- Check valve
7	93615	1		KIT- Governor check valve
8	67109	1		SHAFT ASSEMBLY- Choke
9	64693	2		SCREW- Valve
10	64228	1		VALVE- Choke
11	64238	1		SPRING- Choke friction
12	60051	1	S	BALL- Choke friction
13	64237	1		SPRING- Metering lever (SDC-60)
	70081	1		SPRING- Metering lever (SDC-74)
14	64229	1	S	VALVE- Inlet needle
15	64245	1		LEVER- Metering
16	64244	1		PIN- Metering lever
17	64688	1		SCREW- Metering lever pin
18	68781	1		GASKET- Circuit plate
19	70677	1		PLATE- Circuit (SDC-60)
	94874	1		PLATE- Circuit (SDC-74)
20	64231	1		GASKET- Metering
21	64235	1		DIAPHRAGM ASSEMBLY- Metering
22	70880	1		COVER- Metering diaphragm
23	64689	4		SCREW ASSEMBLY
24	12840	1		SCREW- Circuit plate (SDC-60)
	70082	1		SCREW- Circuit plate (SDC-74)
25	67360	1		RING- Screen retaining
26	67381	1		SCREEN- Check valve
27	70674	1		SCREW- Idle adjustment
28	64236	2		SPRING- Needle adjustment
29	70734	1		WASHER- Nylon
30	70675	1		NEEDLE ASSEMBLY- Idle
31	70669	1		SHAFT ASSEMBLY- Throttle
32	70668	1		RING- Retaining
33	67006	1		SPRING- Throttle return
34	70670	1		VALVE- Throttle
35	70679	1		KIT- Repair (SDC-60)
	94877	1		KIT- Repair (SDC-74)
36	93006	1		KIT- Gasket & diaphragm (SDC-60)
	94876	1		KIT- Gasket & diaphragm (SDC-74)
37	70678	1		GASKET SET
38	65386	1	S	KIT- Check valve
		1		VALVE- Check
		1		SEAT- Valve
	67381	1		SCREEN- Check valve (Item 26)
	67360	1		RING- Screen retaining (Item 25)
	69365	1		FITTING- Inlet elbow



Ref #	Part Number	Qty	S/P/F	Description
1	80867	7	/P	SCREW- Hex, 12-24 x 3/4
2	A641783A	1		COVER- Starter
3	65830	1		BUSHING- Spring outer loop
4	644431	1		BUSHING- Starter post
5	67177	1		BUSHING- Starter rope
6	A93875	1	S	ROPE- Starter, 48" #5
	93862	1	/P	WASHER- (Not shown)
7	A69962A	1	S	GRIP- Rope
8	70018A	1	/P	INSERT- Rope retaining
9	65711	1		SHIELD- Spring (inner)
10	64180A	1		SPRING- Rewind
11	65712	1		SHIELD- Spring (outer)
12	64049B	1	/P	LOCK- Rewind spring
13	640501	1		PULLEY- Starter
14	67139	1		CUP- Starter
15	58763	1		WASHER- Retaining
16	80648	1	/P	SCREW- Hex, 10-32 x 1/2
17	64052	1		SHIELD- Sawdust
18	653902	1		SCREEN- Fan housing
19	590941	1		HOUSING- Fan
20	81104	1		NUT- Lock, 7/16-20
21	84047	1	/P	WASHER- Flat
22	64054B	2		STUD- Shoulder
23	58756	2	S	PAWL- Starter
24	70901	2	/P	WASHER- Lock, #12
25	653752	2	S	SPRING- Starter pawl
26	64053A	1		ROTOR
27	55980	1		CLAMP- Breaker box cover
28	55979	1		COVER- Breaker box
29	559782	1		GASKET- Breaker box
30	57750	1		SCREW GROUP- Condenser
31	55987	1		CONDENSER- W/terminal
32	80595	1	S	SCREW- Fil. 10-24 x 1/2
33	83046	3		WASHER- Lock, #10
34	57749	1		SCREW GROUP- Point
35	A58165	1		POINT SET
36	55984	1		WICK
37	55982	1		NUT- Terminal
38	57733	1		TAB- Ground
39	55983	1		WASHER- Terminal
40	A58321	1		LEAD- Ground w/terminals
41	75078	1		KEY- Rotor
42	58382	1		LEAD- High tension
43	A55373A	1		TERMINAL- Spark plug
44	68046	1		GROMMET
45	A637361	1		SHIELD- Cylinder
46	56014	1		CLAMP- Lead
47	55290	1		SLEEVE- Insulating
48	A64532	1		CRANKCASE- W/pin (See Fig 2)
49	808691	1	S	SCREW- Hex 10-32 x 3/8
50	56292A	1		SEAL Breaker box
51	57744	1		BOX- Breaker w/core
52	55986A	1		COIL- W/ground terminal

Super 1130G Chain Saw UT-10310
Starter & Ignition

Page 16 of 18

Ref #	Part Number	Qty	S/P/F	Description
53	80660	2		SCREW- Fil, 10-24 x 7/8

TOOLS

COLLAR- Main bearing install.	22820-2
JACKSCREW- Magneto	A-23672
Includes:	
WASHER (1)	84035
PLATE- Crankshaft aligning	23670
PLATE- Sprocket locking (Super 1130G Auto)	22750
PLIERS- Retaining ring (piston)	22828
PLUG- Bearing install. (Super 1130G Auto)	23391-3
PLUG- Bearing install. (Super 1130G Auto)	23228
PLUG- Bearing install. (conn. rod)	23874
PLUG- Bearing and seal install. (Super 1130G Auto)	23913
PLUG- Bearing install., (clutch) (Super 1050 Auto)	23420
PLUG- Bearing install., (drivecase) (Super 1050 Auto)	23876
PLUG- Seal install., (crankcase)	23233-1
PLUG- Seal install.,(gear housing)	23671
PULLER- Magento rotor	A-24028
Includes:	
SCREW (2)	80450
NUT (2)	81208
SLEEVE- Bearing and shaft install.	23136-2
SLEEVE- Seal protecting	23693
WRENCH- Combination	A-23937-B
WRENCH- Socket screw (conn. rod)	23528
WRENCH- Spanner	A-23696-A
Includes:	
PIN (2)	23717-A
SCREWDRIVER	24541
WRENCH SOCKET	68651
WRENCH- Spanner (Super 1050 Auto)	A-93791

ACCESSORIES

DECAL- (universal replacement) composed of "Direct Drive", "Gear Drive", "Starting Instructions" and two "HOMELITE" (letters 1/4" and 1/2" high).	23742-A
HANDLE- Helper (Super 1130G Auto)	A-67757
Includes:	
NUT- Tee (1)	67760
PLUG- Shoulder (2)	67759
KNOB- Helper handle (1)	A-67763
LOCTITE	23488-B
OIL- Gear (1 pt. container) Super 1130G Auto	55291-C
REEL- 250' Starter Rope #5	57084-1

PAINT

PAINT- Black (spray can)	23772
PAINT- Red (spray can)	23475

Ref #	Part Number	Qty	S/P/F	Description
22820-2	228202	1		COLLAR- Main bearing install.
A-23672	A23672	1		JACKSCREW- Magneto
84035	84035	1		WASHER (1)
23670	23670	1		PLATE- Crankshaft aligning
22750	22750	1		PLATE- Sprocket locking (Super 1130G Auto)
22828	22828	1		PLIERS- Retaining ring (piston)
23391-3	233913	1		PLUG- Bearing install. (Super 1130G Auto)
23228	23228	1		PLUG- Bearing install. (Super 1130G Auto)
23874	23874	1		PLUG- Bearing install. (conn. rod)
23913	23913	1		PLUG- Bearing and seal install. (Super 1130G Auto)
23420	23420	1		PLUG- Bearing install., (clutch) (Super 1050 Auto)
23876	23876	1		PLUG- Bearing install., (drivecase) (Super 1050 Auto)
23233-1	232331	1		PLUG- Seal install., (crankcase)
23671	23671	1		PLUG- Seal install.,(gear housing)
A-24028	A24028	1		PULLER- Magento rotor
80450	80450	1		SCREW (2)
81208	81208	1	/P	NUT (2)
23136-2	231362	1	S	SLEEVE- Bearing and shaft install.
23693	23693	1		SLEEVE- Seal protecting
A-23937-B	A23937B	1	S	WRENCH- Combination
23528	23528	1		WRENCH- Socket screw (conn. rod)
A23696A	A23696A	1	S	WRENCH- Spanner
23717A	23717A	1	/P	PIN (2)
24541	24541	1	S	SCREWDRIVER
68651	68651	1	S	WRENCH SOCKET
A-93791	A93791	1	/P	WRENCH- Spanner (Super 1050 Auto)
23742A	23742A	1		DECAL - (universal replacement) composed of "Direct Drive", "Gear Drive",
A-67757	A67757	1		HANDLE- Helper (Super 1130G Auto)
67760	67760	1		NUT- Tee (1)
67759	67759	1		PLUG- Shoulder (2)
A-67763	A67763	1		KNOB- Helper handle (1)
23488-B	23488B	1		LOCTITE
55291-C	55291C	1	S	OIL- Gear (1 pt. container) Super 1130G Auto
57084-1	570841	1	/P	REEL- 250' Starter Rope #5
23772	23772	1		PAINT- Black (spray can)
23475	23475	1	/P	PAINT- Red (spray can)