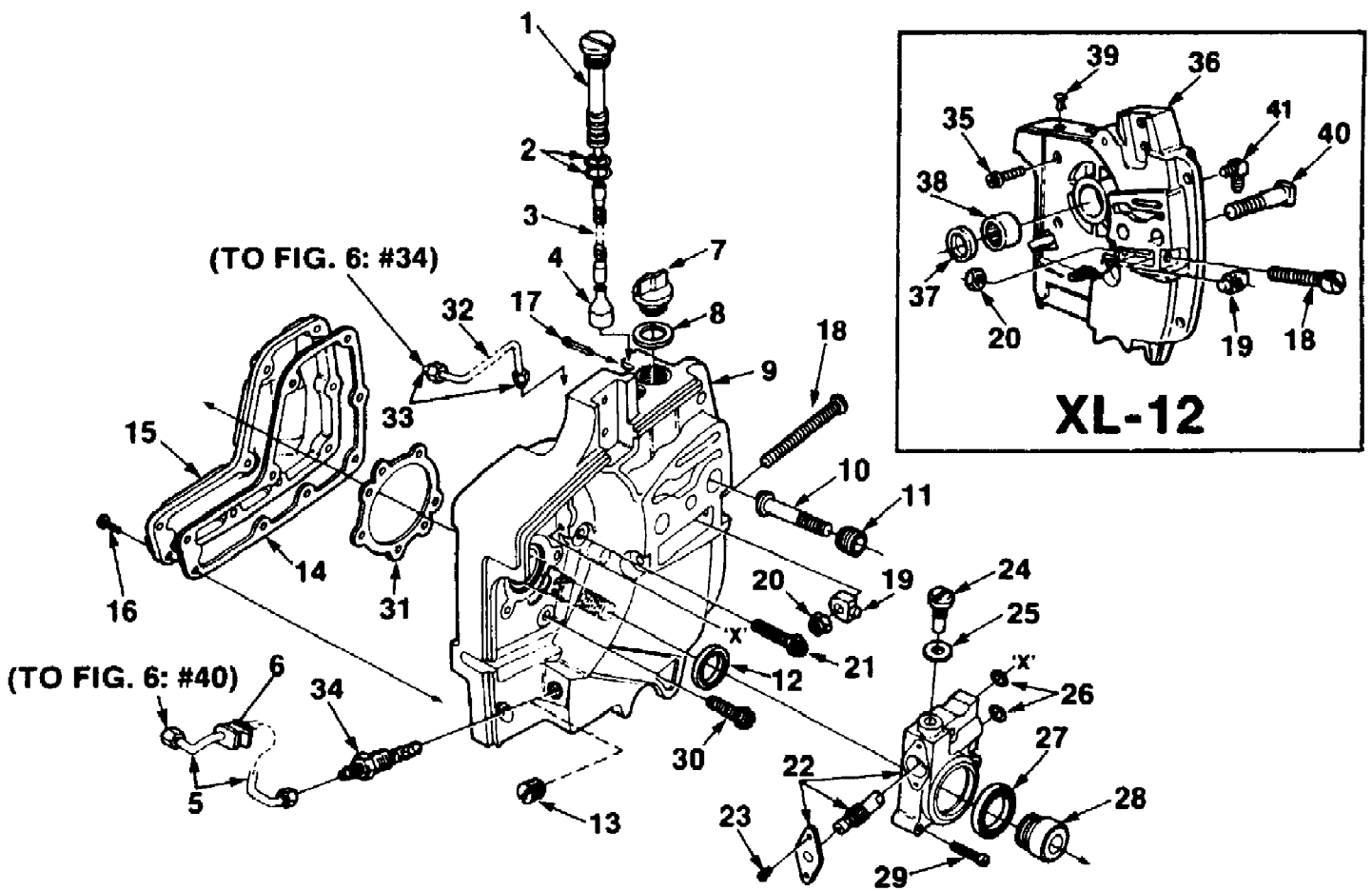


SXLAO Chain Saw UT-10591
Carburetor Chamber

Page 2 of 21

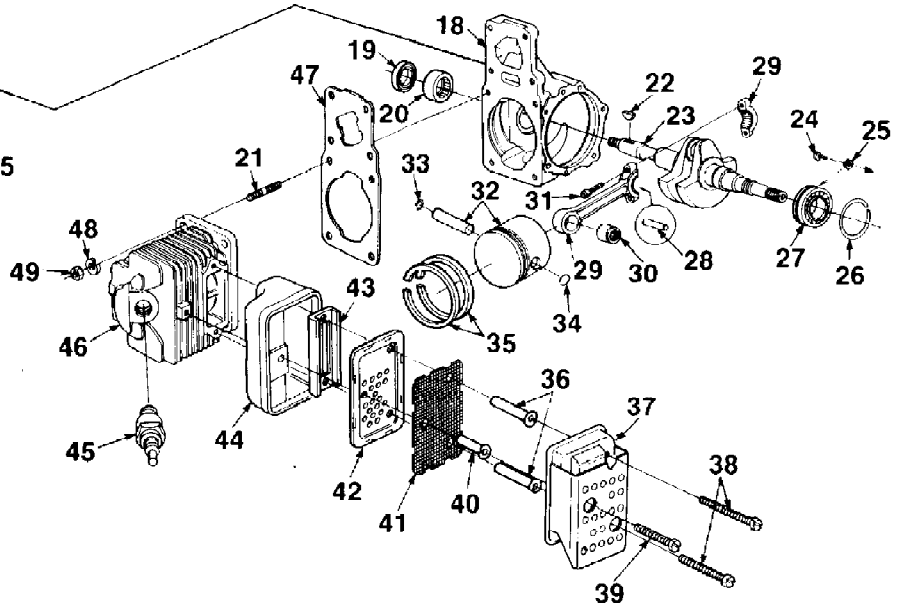
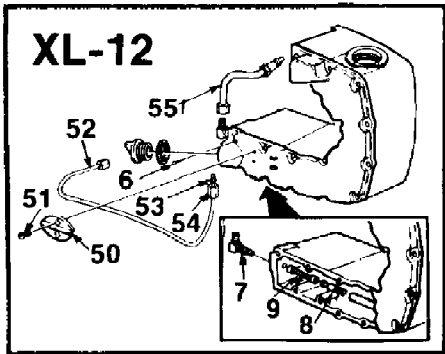
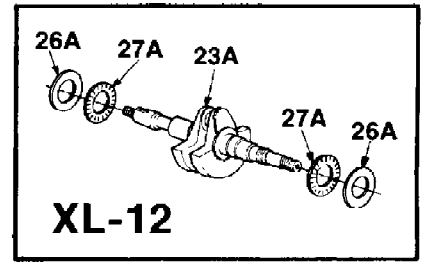
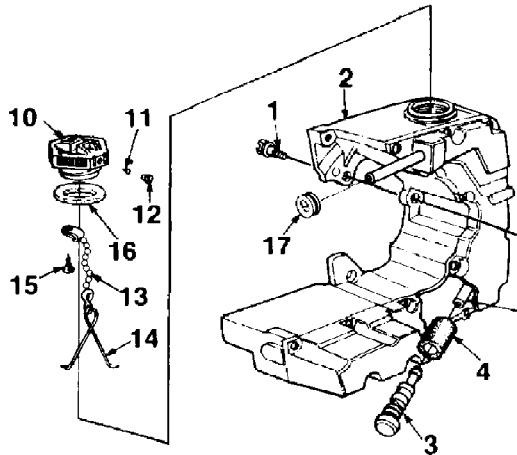
| Ref # | Part Number | Qty | S/P/F | Description |
|-------|-------------|-----|-------|----------------------------------|
| 1 | 59274 | 1 | | GASKET- Spacer |
| 2 | 59718 | 1 | | SPACER |
| 3 | 63260A | 1 | S | RETAINER- Reed valve |
| 4 | 63253 | 1 | | SEAT- Reed valve |
| 5 | 59678B | 4 | S | VALVE- Reed |
| 6 | 59722 | 1 | | GASKET- Carburetor |
| 7 | 7031037 | 1 | F | LINE- Fuel 9 1/4" |
| 8 | A68371B | 1 | | CARBURETOR- Walbro (SDC-62) |
| | A68363BS | 1 | /P | CARBURETOR- Tillotson (HS-179-B) |
| | A94953 | 1 | | CARBURETOR- Zama (#20-20) |
| 9 | 68279 | 1 | | GROMMET |
| 10 | 86324 | 1 | /P | PIN- Cotter |
| 11 | 5877312 | 1 | S | COVER-Air filter |
| 12 | A65272 | 1 | S | NUT- Air filter cover |
| 13 | 58319A | 1 | /P | RING- Retaining |
| 14 | 63589A | 1 | S/P | ELEMENT- Air filter |
| 15 | A59822B | 1 | /P | BRACKET- Mounting |
| 16 | 681301 | 1 | | ROD- Choke |
| 17 | 58362 | 1 | | GROMMET |
| 18 | 59763 | 1 | | ROD- Throttle |
| 19 | 80891 | 5 | /P | SCREW- Hex 12-24 x 7/8 |
| 20 | 83046 | 2 | | WASHER- Lock #10 |
| 21 | 80921 | 2 | | SCREW- Hex 10-32 x 2 11/16 |
| 22 | 95671 | 1 | S | PIN- Throttle latch |
| 23 | 58405 | 1 | | SPRING- Throttle latch |
| 24 | A592131A | 1 | S | COVER- Throttle handle |
| | 67752 | 1 | | Bushing- Pin (Not shown) |
| 25 | 80560 | 2 | /P | SCREW- Pan 8-32 x 1/2 |
| 26 | 58859 | 1 | S | TRIGGER- Throttle |
| 27 | 58409 | 1 | /P | RING- Retaining |
| 28 | A93926 | 1 | | THROTTLE HANDLE |
| 29 | 63290 | 1 | | WASHER- Felt |
| 30 | 86301 | 1 | | PIN- Cotter |
| 31 | 67634 | 1 | | BOOT- Throttle rod |
| 32 | 63303 | 1 | | PLUG |
| 33 | 93209 | 1 | S | SHIELD- Spark plug |
| 34 | 94142 | 1 | | PIN |
| 35 | A59011 | 1 | | VALVE- Check |
| 36 | 63302B | 1 | /P | SCREW- Idle |
| 37 | 59770 | 1 | S | GROMMET- Hi-Lo |
| 38 | A93783 | 1 | S | PLUNGER- Spring |
| 39 | 59293 | 1 | /P | SPRING- Compression |
| 40 | 74388 | 1 | S | "O" RING |
| 41 | A59818 | 1 | | VALVE- Check |
| 42 | 96479 | 1 | | LABEL- Homelite |



SXLAO Chain Saw UT-10591
Drive Case & Oil Pump

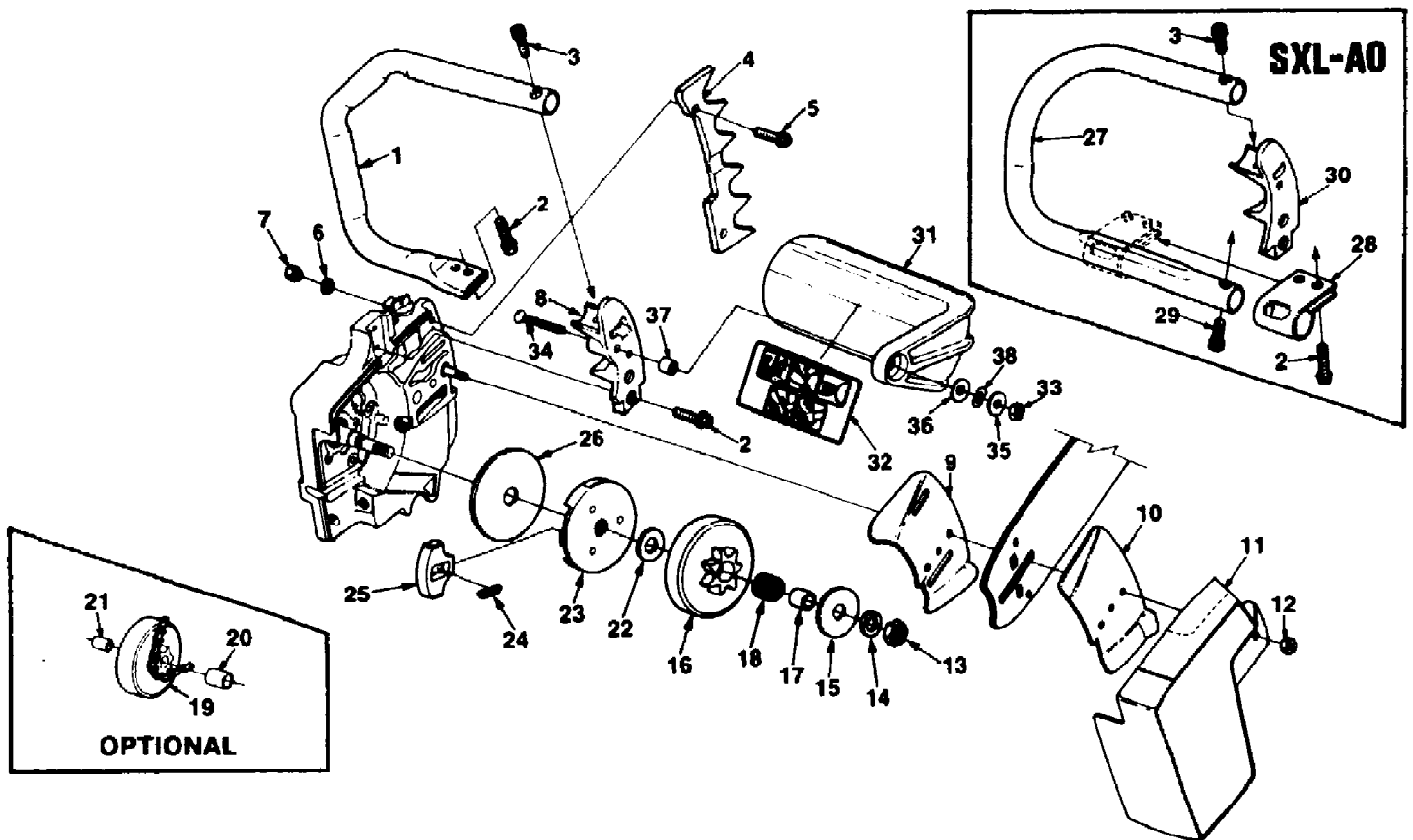
Page 4 of 21

| Ref # | Part Number | Qty | S/P/F | Description |
|-------|-------------|-----|-------|----------------------------|
| | A69371 | 1 | S | OIL FILTER ASSEMBLY |
| 1 | 593252 | 1 | /P | TUBE- Oil line |
| 2 | 59765 | 2 | | "O" RING |
| 3 | 7030909 | 1 | S | TUBING- Rubber 2 1/4" |
| 4 | A68593 | 1 | | FILTER- Oil |
| 5 | A59819 | 1 | | LINE- Oil |
| 6 | 59794 | 1 | | GROMMET |
| 7 | A63717C | 1 | /P | CAP- Filler oil |
| 8 | 56607 | 1 | /P | GASKET |
| 9 | A59930H | 1 | S | DRIVECASE |
| 10 | 67475 | 2 | | STUD- Guide bar, 3/8 |
| 11 | 67476 | 2 | | INSERT- Threaded |
| 12 | 58308B | 1 | S | SEAL |
| 13 | 28097 | 1 | | PLUG |
| 14 | 59710 | 1 | | GASKET- Oil reservoir |
| 15 | 596494A | 1 | | COVER- Oil reservoir |
| 16 | 80513 | 9 | | SCREW- Rd. 6-32 x 1/2 |
| | 80742 | 1 | | SCREW- Set (not shown) |
| 17 | 86301 | 1 | | PIN- Cotter |
| 18 | 63225 | 1 | /P | SCREW- Guide bar adjusting |
| 19 | 93039 | 1 | /P | PIN- Bar adjusting |
| 20 | 81204 | 1 | /P | NUT- Lock, 1/4-20 |
| 21 | 80864 | 1 | /P | SCREW- Hex 12-24 x 1 |
| 22 | A59809B | 1 | | PUMP- Automatic oil |
| 23 | 80919 | 2 | | SCREW- Pan 4-40 x 1/4 |
| 24 | 64102A | 1 | | SCREW- Cam |
| 25 | 59736 | 1 | | GASKET |
| 26 | 59074 | 2 | /P | "O" RING |
| 27 | 59926 | 1 | S | SEAL- Felt |
| 28 | 59675 | 1 | | WORM |
| 29 | 80248 | 3 | | SCREW- Fil. 8-32 x 3/4 |
| 30 | 80899 | 4 | | SCREW- Hex 12-24 x 9/16 |
| 31 | 63355 | 1 | S | GASKET- Crankcase |
| 32 | A59806 | 1 | S | LINE- Oil (Discharge) |
| 33 | 25301 | 2 | | SLEEVE- Compression |
| 34 | A59804A | 1 | | FILTER- Oil (Manual oil) |

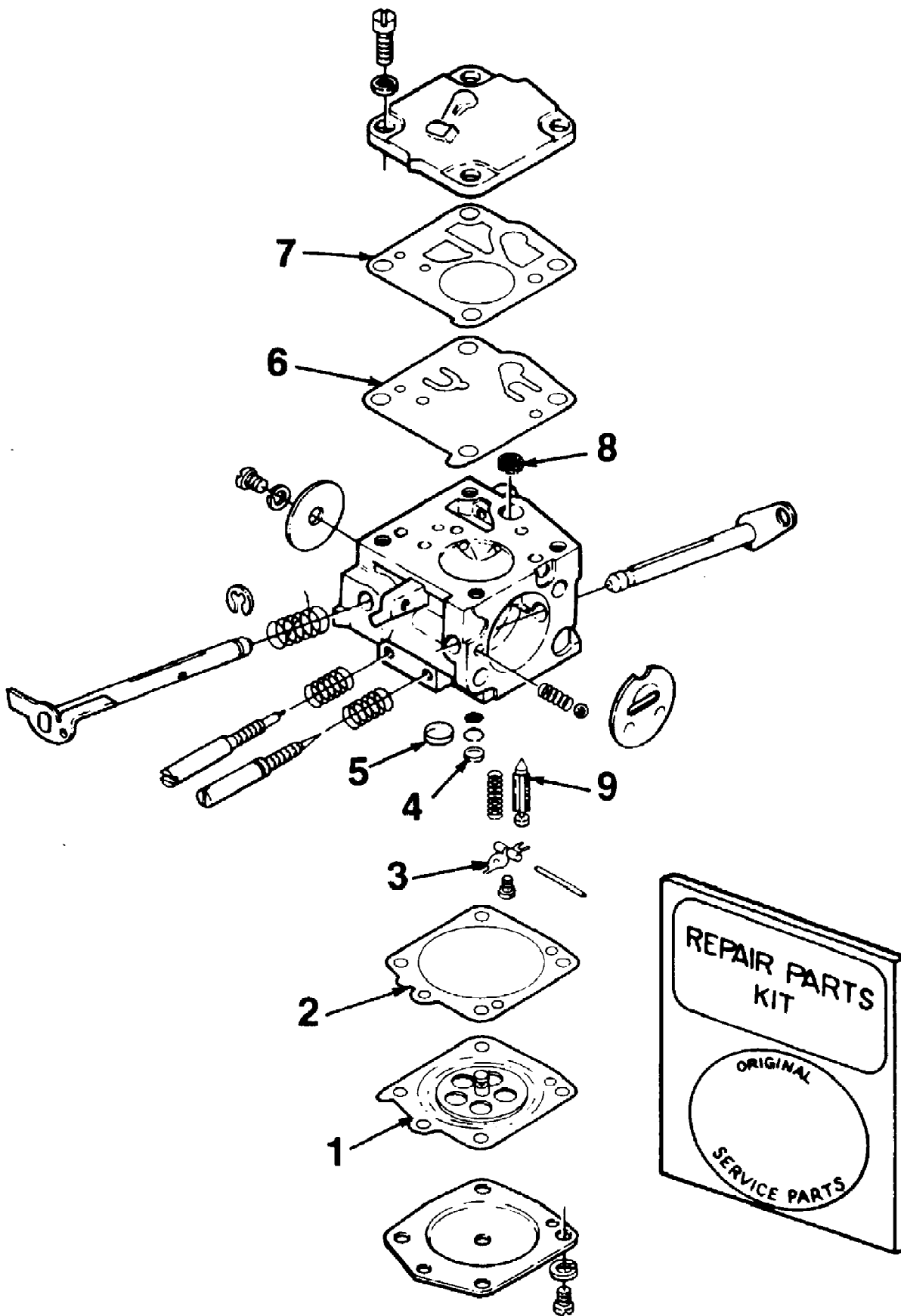


| Ref # | Part Number | Qty | S/P/F | Description |
|-------|-------------|-----|-------|--------------------------------|
| 1 | 63407 | 3 | /P | SCREW- Shoulder |
| 2 | A68345A | 1 | S/F | TANK- Fuel |
| 3 | A69923 | 1 | S | FILTER- Fuel |
| 4 | 64083 | 1 | | FELT- Filter |
| 5 | 7031037 | 1 | | TUBING- Fuel 9 1/4" |
| 10 | A69500A | 1 | S | CAP- Fuel filler |
| 11 | 69451 | 1 | /P | VALVE- Check |
| 12 | 69454 | 1 | /P | FILTER- Fuel cap |
| 13 | 69502 | 1 | | CHAIN- Bead |
| 14 | 96535 | 1 | /P | RETAINER |
| 15 | 82256A | 1 | /P | SCREW- Pan hd. #6 x 1/4 |
| 16 | 69501 | 1 | /P | GASKET- Fuel filler cap |
| 17 | 68046 | 1 | | GROMMET |
| 18 | A65736 | 1 | /P | CRANKCASE |
| 19 | 12282A | 1 | S | SEAL |
| 20 | 58956 | 1 | /P | BEARING |
| 21 | 55871 | 4 | S | STUD |
| 22 | 75078 | 1 | | KEY- Woodruff |
| 23 | 634981 | 1 | /P | CRANKSHAFT |
| 24 | 70306 | 2 | | SCREW- Torx |
| 25 | 59705 | 2 | | WASHER- Lock |
| 26 | 58319A | 2 | /P | RING- Retaining |
| 27 | 58190 | 2 | /P | BEARING- Ball |
| 28 | A69054 | 1 | | ROLLER SET (31) |
| 29 | A63477B | 1 | /P | ROD- Connecting |
| 30 | 93369 | 1 | | BEARING |
| 31 | 69919 | 2 | /P | SCREW- Cap soc. hd. |
| 32 | A68438 | 1 | S | PISTON & PIN |
| 33 | 75120 | 1 | /P | RING- Retaining |
| 34 | 64813 | 1 | /P | RING- Retaining |
| 35 | 594361A | 2 | S | PISTON RING |
| | A94219A | 1 | F | MUFFLER ASSEMBLY |
| 36 | 9398301 | 2 | | SPACER- Muffler |
| 37 | A95988 | 1 | /P | CAP- Muffler & Shield |
| 38 | 94128 | 2 | | SCREW- Hex hd. (12-24 x 2 1/4) |
| 39 | 94129 | 1 | | SCREW- Hex hd. (12-24 x 1 7/8) |
| 40 | 9398302 | 1 | | SPACER- Muffler |
| 41 | 93979 | 1 | | SCREEN- Spark arrestor |
| 42 | 93980 | 1 | | BAFFLE- Muffler |
| 43 | 94133A | 1 | | PLATE- Muffler |
| 44 | 93981 | 1 | | BODY- Muffler |
| 45 | 63547S | 1 | /P | SPARK PLUG (CJ6) |
| 46 | A69714 | 1 | S | CYLINDER |
| 47 | 59771 | 1 | | GASKET- Cylinder |
| 48 | 83061 | 4 | /P | WASHER- Lock 1/4 |
| 49 | 96212 | 4 | /P | NUT- 1/4-28 |

SXLAO Chain Saw UT-10591
Handles & Clutch

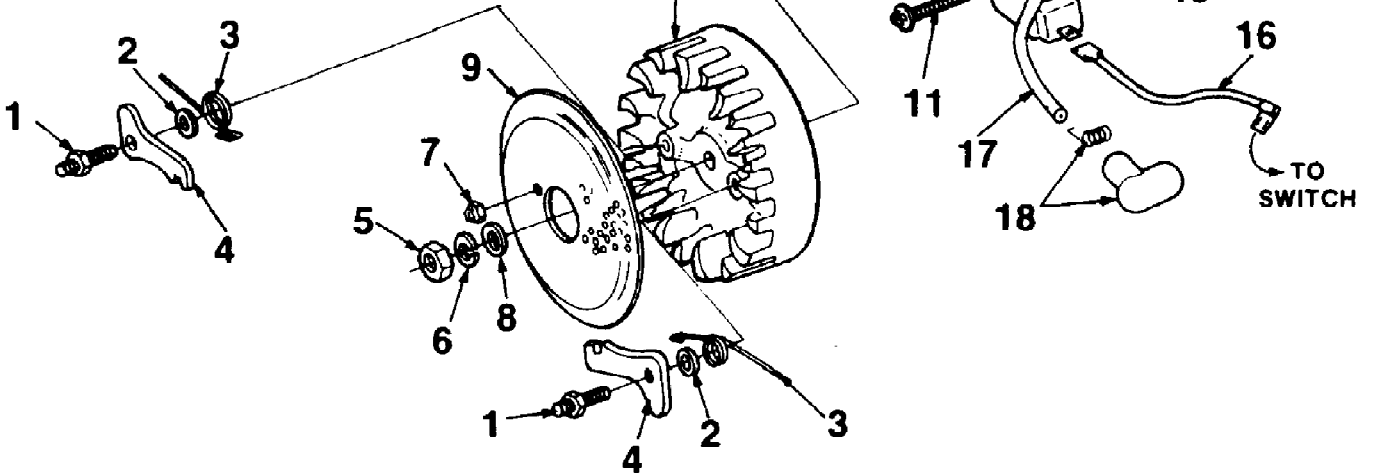
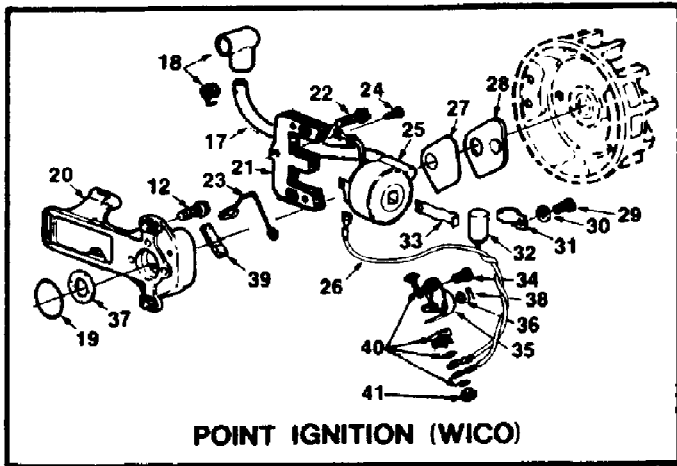


| Ref # | Part Number | Qty | S/P/F | Description |
|-------|-------------|-----|-------|---|
| 2 | 80867 | 4 | /P | SCREW- 12-24 x 3/4 |
| 3 | 804281 | 1 | S | SCREW- Socket hd. 1/4-20 x 1 |
| 4 | DA59043 | 1 | | BUMPER KIT- Spiked (Accessory) |
| 5 | 80867 | 2 | /P | SCREW- Hex 12-24 x 3/4 |
| 6 | 70901 | 2 | /P | WASHER- Lock #12 |
| 7 | 81068 | 2 | /P | NUT- Hex 12-24 |
| 8 | A70618 | 1 | /P | KIT- Guide bar plate |
| 9 | 70399 | 1 | S | PLATE- Guide bar (inner) |
| 10 | 70400 | 1 | S | PLATE- Guide bar (outer) |
| 11 | 5875016 | 1 | S | COVER- Drivecase |
| 12 | 810892 | 2 | /P | NUT- Hex 3/8-16 |
| 13 | 81124 | 1 | S | NUT- Lock 3/8-24 |
| 14 | 83018 | 1 | /P | WASHER- Lock 3/8 |
| 15 | 65064 | 1 | | WASHER- Thrust (outer) |
| 16 | A95459 | 1 | F | SPROCKET & DRUM 7 tooth (std.) 3/8,7 tooth |
| 17 | 65746B | 1 | S | RACE- Inner |
| 18 | 64124 | 1 | S | BEARING- Roller |
| 19 | A63346 | 1 | | SPROCKET & DRUM (opt.) 3/8" pitch, 8T |
| | A59555 | 1 | | .404 pitch, 7 T |
| 20 | 72311 | 1 | F | BEARING- Needle |
| 21 | 55584 | 1 | F | RACE- Inner |
| | A65990 | 1 | | HUB & DRUM- "splined" (opt.) (used w/ index #17,18,22 & rim sprockets |
| | 95058 | 1 | F | SPROCKET- Splined rim typed 3/8" 7 T |
| | 63285 | 1 | | .404 pitch, 7 tooth Check type and number of teeth before ordering. "Splined" hub and drum requires one of the "Splined" Sprockets listed |
| 22 | 58833 | 1 | /P | WASHER- Thrust (inner) |
| | A69480C | 1 | /P | CLUTCH & COVER |
| 23 | 657601B | 1 | /P | PLATE- Clutch |
| 24 | 67053 | 3 | | SPRING- Clutch |
| 25 | 69461 | 3 | | SHOE- Clutch |
| 26 | 95054 | 1 | S | COVER- Clutch |
| 27 | A70365 | 1 | | HANDLE BAR- Flush cut |
| 28 | 63291A | 1 | S | CLAMP |
| 29 | 804281 | 1 | S | SCREW- Soc. hd. 1/4-20 |
| 30 | 5965112 | 1 | F | BRACKET- Handle bar |
| | A63422A | 1 | | HANDLE BAR- Wrap around |
| | A63421 | 1 | | HANDLE BAR |
| | 596516B | 1 | | BRACKET- Handle bar |
| | 63405 | 1 | | BRACKET- Handle bar mtg. |
| | 80676 | 1 | /P | SCREW- Hex hd. 12-24 x 5/8 |
| 31 | A95088 | 1 | | GUARD- Hand |
| 32 | 96990 | 1 | | DECAL |
| 33 | 81225 | 1 | /P | NUT- 12/24 |
| 34 | 82223 | 4 | | SCREW- (12-24 x 1 1/4) |
| 35 | 95935 | 1 | /P | WASHER (5/16) |
| 36 | 84065 | 1 | S | WASHER |
| 37 | 95937 | 1 | | SPACER |
| 38 | 96757 | 1 | | WASHER- Spring wave |

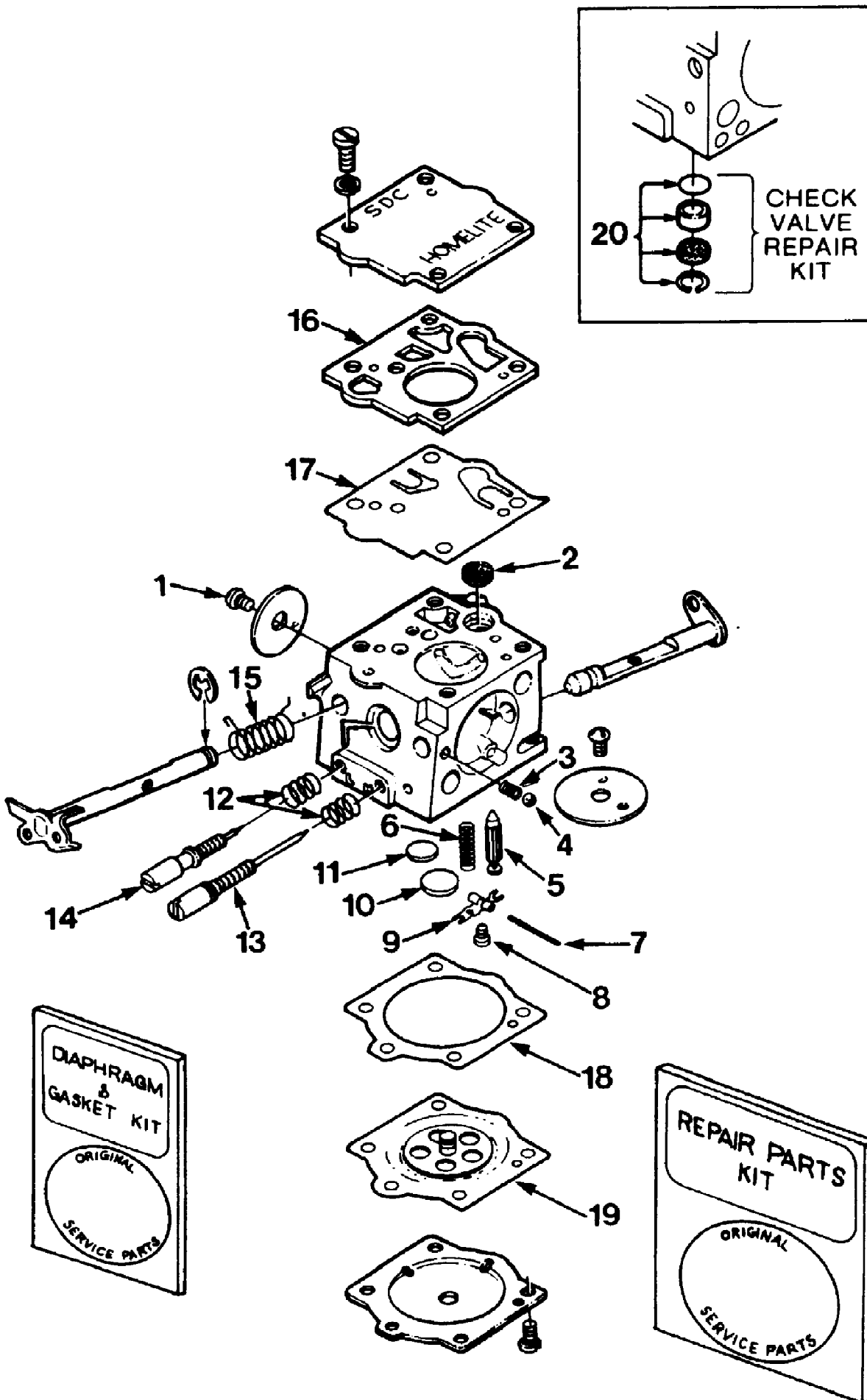


SXLAO Chain Saw UT-10591
HS-179-B Carburetor

| Ref # | Part Number | Qty | S/P/F | Description |
|-------|-------------|-----|-------|-------------|
| 1 | 95698 | 1 | /P | Repair Kit |
| 2 | 95698 | 1 | /P | Repair Kit |
| 3 | 95698 | 1 | /P | Repair Kit |
| 4 | 95698 | 1 | /P | Repair Kit |
| 5 | 95698 | 1 | /P | Repair Kit |
| 6 | 95698 | 1 | /P | Repair Kit |
| 7 | 95698 | 1 | /P | Repair Kit |
| 8 | 95698 | 1 | /P | Repair Kit |
| 9 | 95698 | 1 | /P | Repair Kit |



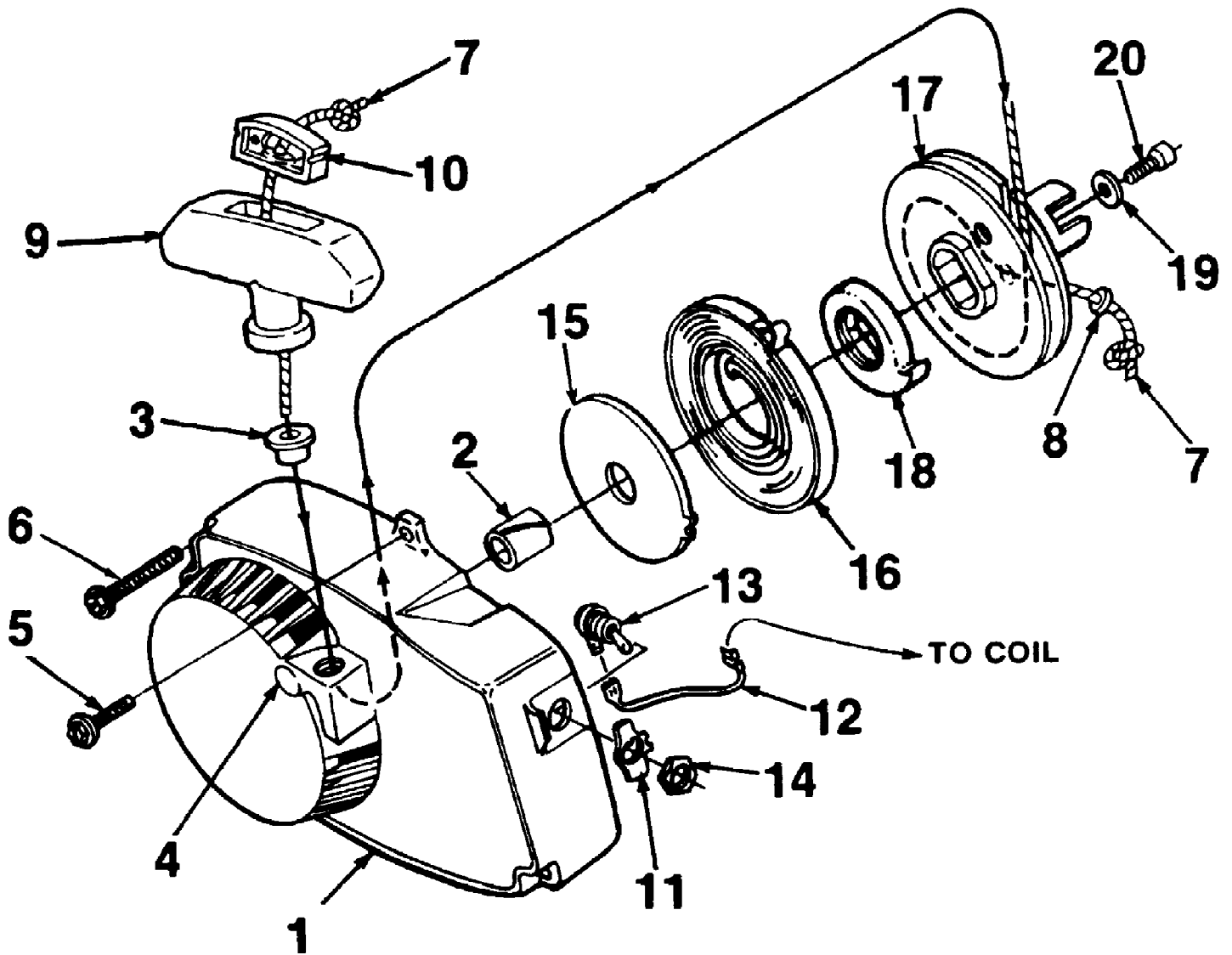
| Ref # | Part Number | Qty | S/P/F | Description |
|-------|-------------|-----|-------|--|
| 1 | 58757E | 2 | /P | STUD- Shoulder |
| 2 | 70901 | 2 | /P | WASHER- Lock |
| 3 | 653752 | 2 | S | SPRING- Starter pawl |
| 4 | 58756 | 2 | S | PAWL- Starter |
| 5 | 81117 | 1 | /P | NUT- Hex (5/16-24) |
| 6 | 83002 | 1 | /P | WASHER- Lock (5/16) |
| 7 | 81206 | 2 | S/P | NUT- Center lock (#10-32) |
| 8 | 84056 | 1 | S | WASHER- Flat (5/16) |
| 9 | 58765 | 1 | | SCREEN- Starter |
| 10 | 70639 | 1 | /P | ROTOR- Magneto |
| 11 | 82248 | 2 | | SCREW- Hex washer hd. (8-32 x 3/4) |
| 12 | 80899 | 3 | | SCREW- Hex hd. (12-24 x 9/16) |
| 13 | 943261 | 1 | /P | PLATE- Ignition coil mtg. (Solid state) |
| 14 | 75078 | 1 | | KEY- Rotor (woodruff) |
| 15 | A94605S | 1 | S | MODULE & CORE (Solid state) |
| 16 | A94850 | 1 | /P | LEAD- Ground (Solid state) |
| | A59031 | 1 | | LEAD- Ground (Point ignition) |
| 17 | 58966 | 1 | | LEAD- High tension |
| 18 | A33055 | 1 | /P | TERMINAL- High tension |
| 19 | 59538 | 1 | | GASKET- Stator (point ignition) |
| 20 | A94556 | 1 | | BOX- Breaker (point ignition) |
| 21 | 93098 | 1 | | CORE |
| 22 | 82248 | 2 | | SCREW- Hex washer hd. (8-32 x 3/4) |
| 23 | 76413 | 1 | | CLIP- Breaker box cover (point ignition) |
| 24 | 64090 | 1 | | SCREW- Terminal (point ignition) |
| 25 | A94325 | 1 | /P | COIL- with lead (point ignition) |
| 26 | 93095 | 1 | | LEAD |
| 27 | 58810 | 1 | | GASKET- Breaker box cover (point ignition) |
| 28 | 58811 | 1 | | COVER- Breaker box (point ignition) |
| 29 | 30261 | 1 | | SCREW- Hd. (8-32 x 5/16) (point ignition) |
| 30 | 83060 | 2 | S | WASHER- Lock (point ignition) |
| 31 | 59622 | 1 | | CLAMP- Condenser (point ignition) |
| 32 | 63250A | 1 | S | CONDENSER (point ignition) |
| 33 | 63726 | 1 | | CLIP- Coil retaining (point ignition) |
| 34 | 76421 | 1 | | SCREW- Contact plate (point ignition) |
| 35 | A58914A | 1 | /P | POINTS- Breaker (point ignition) |
| 36 | 28028 | A/R | | WASHER- Plain |
| 37 | 59760 | 1 | | SEAL- Felt |
| 38 | 28008 | 1 | | CLIP |
| 39 | | 1 | | CAM- Felt |
| 40 | A68162 | 1 | | BLOCK- Terminal (point ignition) |
| 41 | 93099 | 1 | | NUT- Connection stud |



SXLAO Chain Saw UT-10591
SDC-62 Carburetor

Page 14 of 21

| Ref # | Part Number | Qty | S/P/F | Description |
|-------|-------------|-----|-------|------------------------|
| 1 | 67020 | 1 | | Repair Kit |
| 2 | 67020 | 1 | | Repair Kit |
| 3 | 67020 | 1 | | Repair Kit |
| 4 | 67020 | 1 | | Repair Kit |
| 5 | 67020 | 1 | | Repair Kit |
| | 64229 | 1 | S | Inlet Needle |
| 6 | 67020 | 1 | | Repair Kit |
| 7 | 67020 | 1 | | Repair Kit |
| 8 | 67020 | 1 | | Repair Kit |
| 9 | 67020 | 1 | | Repair Kit |
| 10 | 67020 | 1 | | Repair Kit |
| 11 | 67020 | 1 | | Repair Kit |
| 12 | 67020 | 1 | | Repair Kit |
| 13 | 67020 | 1 | | Repair Kit |
| 14 | 67020 | 1 | | Repair Kit |
| 15 | 67020 | 1 | | Repair Kit |
| 16 | 67020 | 1 | | Repair Kit |
| | 70811 | 1 | | Diaphragm & Gasket Kit |
| 17 | 67020 | 1 | | Repair Kit |
| | 70811 | 1 | | Diaphragm & Gasket Kit |
| 18 | 67020 | 1 | | Repair Kit |
| | 70811 | 1 | | Diaphragm & Gasket Kit |
| 19 | 67020 | 1 | | Repair Kit |
| | 70811 | 1 | | Diaphragm & Gasket Kit |
| 20 | 93910A | 1 | | Check Valve Kit |



SXLAO Chain Saw UT-10591
Starter

Page 16 of 21

| Ref # | Part Number | Qty | S/P/F | Description |
|-------|-------------|-----|-------|-------------------------------|
| 1 | A64518 | 1 | S | HOUSING- Fan |
| 2 | 64443 | 1 | /P | BUSHING- Starter |
| 3 | 67177 | 1 | | BUSHING- Rope |
| 4 | 59067 | 1 | | DRIVE- Stud |
| 5 | 80899 | 1 | | SCREW- Hex 12-24 x 9/16 |
| 6 | 58963 | 3 | | SCREW- Hex 12-24 x 1 1/16 |
| 7 | A93875 | 1 | S | ROPE- Starter 48" long #5 |
| 8 | 93862 | 1 | /P | WASHER- Flat (nylon) |
| 9 | A69962B | 1 | /P | GRIP- Starter rope |
| 10 | 70018A | 1 | /P | INSERT |
| 11 | 95231 | 1 | S | PLATE-"On-Off" |
| 12 | A94850 | 1 | /P | LEAD- Ground (solid state) |
| | A59031 | 1 | | LEAD- Ground (point ignition) |
| 13 | 96831 | 1 | /P | SWITCH & LEAD |
| 14 | 72084A1 | 1 | S | NUT |
| 15 | 59638B | 1 | /P | SHIELD- Spring (inner) |
| 16 | A94842 | 1 | /P/F | SPRING- Recoil |
| 17 | A64446 | 1 | /P | PULLEY- Starter |
| 18 | 94827 | 1 | S | BUSHING- Spring |
| 19 | 58763 | 1 | | WASHER- Retainer |
| 20 | 80648 | 1 | /P | SCREW- Hex 10-32 x 1/2 |

TOOLS FOR XL-12

| DESCRIPTION | PART NO. |
|--|----------|
| PLIERS- Piston snap ring | 22828 |
| PLUG- Bearing assembly & disassembly | 23756 |
| PLUG- Bearing assembly & disassembly Drive & Crankcase | 23757 |
| PLUG- Seal assembly-drive & crankcase | 23758 |
| PLUG- Piston pin removal | A-23949 |
| Includes: | |
| "O" RING | 67900 |
| PULLER- Magneto remover | A-24290 |
| SLEEVE- Seal protecting-crankcase | 23759 |
| SLEEVE- Seal installation-drive and crankcase | 23800 |
| WRENCH- Hex socket screw (conn rod) | 23528 |
| WRENCH- Spanner to assembly & disassemble clutch | A-23934 |
| Includes: | |
| PIN | 23954 |
| WRENCH- Socket | 68651 |
| SCREWDRIVER | 24541 |
| TOOL- Clutch removal (for clutch conversion kit) | A-17146 |

TOOLS FOR THE SXL-AO

| DESCRIPTION | PART NO. |
|--|----------|
| ANVIL- Crankshaft | 23846-4 |
| COLLAR- Ball bearing installation | 22820-1 |
| DRIVER- Check valve (for SDC carburetor) | 24173 |
| JACKSCREW | A-23137 |
| PLIERS- Piston snap ring | 22828 |
| PLUG- Bearing assembly connecting rod | 23756 |
| Drive & Crankcase | 23757 |
| PLUG- Seal assembly - drive & crankcase | 23758 |
| PLUG- Seal installation Drivecase assembly | 23845 |
| PLUG- Piston pin removal | A-23949 |
| Includes: | |
| "O" RING | 67900 |
| PULLER- Magneto remover | A-24290 |
| SLEEVE- Bearing & Shaft installation | 23884-A |
| SLEEVE- Bearing & Shaft installation | 23136-2A |
| SLEEVE- Seal protecting | 23844 |
| SLEEVE- Seal protecting crankcase | 23759 |
| SLEEVE- Seal installation drivecase | 23843 |
| SLEEVE- Seal installation drive & crankcase | 23800 |
| WRENCH- Hex socket screw (connecting rod) | 23528 |
| WRENCH- Spanner to assemble & Disassemble clutch | A-23934 |
| Includes: | |
| PIN | 23954 |
| WRENCH- Socket | 68651 |
| WRENCH- Insert | A-24322 |
| SCREWDRIVER | 24541 |
| TOOL- Clutch removal (for clutch conversion kit) | A-17146 |
| BIT- Driver torx 1/4" hex shank | 24982-01 |
| BIT- Driver torx 5/16" hex shank | 24982-02 |

ACCESSORIES

| DESCRIPTION | PART NO. | XL-12 | SXL-AO |
|--|------------|-------|--------|
| CLUTCH- Conversion Kit (Lined) | A-96745 | 1 | 1 |
| Includes: | | | |
| SHOE- Clutch | A-93632-A | 3 | 3 |
| SPIDER- Clutch | 93639 | 3 | 3 |
| SPRING- Clutch | 93814-A | 3 | 3 |
| SPROCKET & DRUM | A-95465 | 1 | 1 |
| THRUST WASHER | 93643 | 1 | 1 |
| THRUST WASHER | 93650 | 1 | 1 |
| THRUST WASHER | 65064 | 1 | 1 |
| KIT- Manual oil pump (Prior to s/n 50440501) | A-65868 | | 1 |
| Includes: | | | |
| BUTTON | 57289-1 | | 1 |
| LINE- Oil | A-59819 | | 1 |
| Includes: | | | |
| GROMMET | 59794 | | 1 |
| VALVE- Check | A-59818 | | 1 |
| FILTER- Oil (Intake) | A-59804-A | | 1 |
| PLUNGER | A-57834-10 | | 1 |
| Includes: | | | |
| "O" RING | 74388 | | 1 |
| "O" RING | 59074 | | 1 |
| SPRING | 59293 | | 1 |

When this Kit is assembled to the unit, the unit will have a complete manual oil pump system.

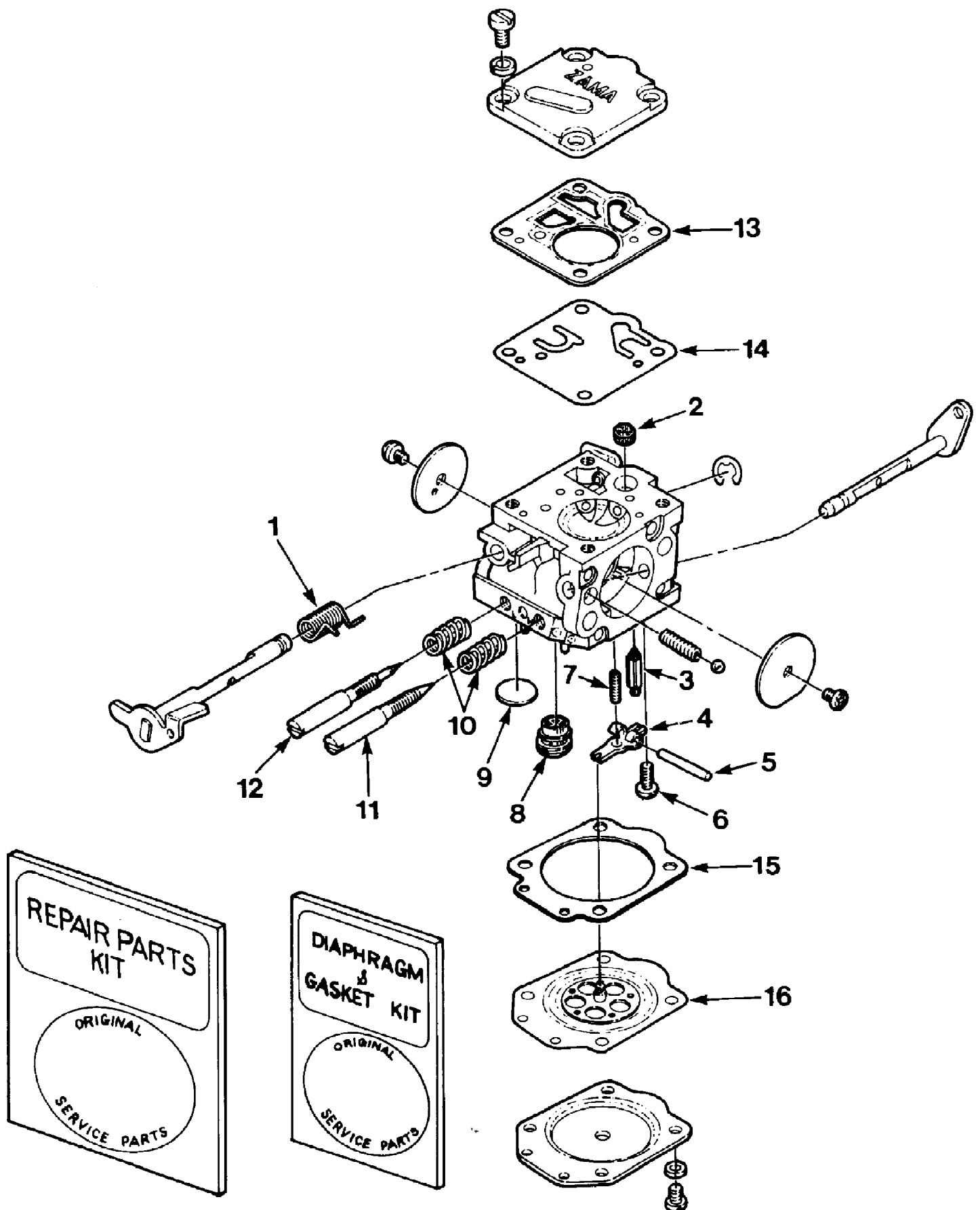
| | | | |
|---|------------|--|---|
| KIT- Hand guard | A-70910-A | | 1 |
| Includes: | | | |
| WASHER | 58851-2 | | 1 |
| WASHER | 70788 | | 1 |
| SLEEVE | 70911 | | 1 |
| SCREW- Machine flat hd. | 70926 | | 1 |
| SCREW | 80945 | | 1 |
| NUT | 81225 | | 1 |
| SCREW | 82223 | | 1 |
| DECAL | 96990 | | 1 |
| KIT- Hand Guard | A-70944-A | | 1 |
| WASHER | 58851-2 | | 1 |
| WASHER | 70788 | | 1 |
| SLEEVE | 70911 | | 1 |
| SCREW | 80945 | | 1 |
| NUT | 81225 | | 1 |
| KIT- Safe•T•TIP (Standard) | DA-70790-A | | 1 |
| Includes: | | | |
| SCREW | 82335 | | 1 |
| CARRY CASE | 95920 | | 1 |
| REEL- Starting rope (250 Ft.) #5 | 57084-1 | | 1 |
| KIT- Insert (for drivecase guide barstuds) | A-70370-A | | 1 |
| TUBING- Rubber 10 ft. (Fuel) | 70310-99 | | 1 |
| TUBING- Rubber 10 ft. (Oil) | 70309-99 | | 1 |
| THROTTLE HANDLE | | | |
| CONVERSION KIT (For the XL-12 single reed system) | A-97553 | | 1 |

PAINT

| DESCRIPTION | PART NO. | XL-12 | SXL-AO |
|----------------|----------|-------|--------|
| LACQUER- Red | 23475 | 1 | 1 |
| LACQUER- Black | 22772 | 1 | 1 |

| Ref # | Part Number | Qty | S/P/F | Description |
|----------|-------------|-----|-------|---|
| 22828 | 22828 | 1 | | PLIERS- Piston snap ring |
| 23756 | 23756 | 1 | | PLUG- Bearing assembly & disassembly |
| 23757 | 23757 | 1 | | PLUG- Bearing assembly & disassembly Drive & Crankcase |
| 23758 | 23758 | 1 | S | PLUG- Seal assembly-drive & crankcase |
| A-23949 | A23949 | 1 | | PLUG- Piston pin removal |
| 67900 | 67900 | 1 | /P | "O" RING |
| A-24290 | A24290 | 1 | /P | PULLER- Magneto remover |
| 23759 | 23759 | 1 | | SLEEVE- Seal protecting-crankcase |
| 23800 | 23800 | 1 | S | SLEEVE- Seal installation-drive and crankcase |
| 23528 | 23528 | 1 | | WRENCH- Hex socket screw (conn rod) |
| A-23934 | A23934 | 1 | /P | WRENCH- Spanner to assembly & disassemble clutch |
| 23954 | 23954 | 1 | | PIN |
| 68651 | 68651 | 1 | S | WRENCH- Socket |
| 24541 | 24541 | 1 | S | SCREWDRIVER |
| A-17146 | A17146 | 1 | S | TOOL- Clutch removal (for clutch conversion kit) |
| 238464 | 238464 | 1 | | ANVIL- Crankshaft |
| 22820-1 | 228201 | 1 | | COLLAR- Ball bearing installation |
| 24173 | 24173 | 1 | | DRIVER- Check valve (or SDC carburetor) |
| A-23137 | A23137 | 1 | | JACKSCREW |
| 22828 | 22828 | 1 | | PLIERS- Piston snap ring |
| 23756 | 23756 | 1 | | PLUG- Bearing assembly connecting rod |
| 23757 | 23757 | 1 | | Drive & Crankcase |
| 23758 | 23758 | 1 | S | PLUG- Seal assembly - drive & crankcase |
| 23845 | 23845 | 1 | | PLUG- Seal installation drivecase assembly |
| A-23949 | A23949 | 1 | | PLUG- Piston pin removal |
| 67900 | 67900 | 1 | /P | "O" RING |
| A-24290 | A24290 | 1 | /P | PULLER- Magneto remover |
| 23884-A | 23884A | 1 | | SLEEVE- Bearing & Shaft installation |
| 23136-2A | 231362A | 1 | /P | SLEEVE- Bearing & Shaft installation |
| 23844 | 23844 | 1 | | SLEEVE- Seal protecting |
| 23759 | 23759 | 1 | | SLEEVE- Seal protecting crankcase |
| 23843 | 23843 | 1 | | SLEEVE- Seal installation drivecase |
| 23800 | 23800 | 1 | S | SLEEVE- Seal installation drive & crankcase |
| 23528 | 23528 | 1 | | WRENCH- Hex socket screw (connecting rod) |
| A-23934 | A23934 | 1 | /P | WRENCH- Spanner to assemble & Disassemble clutch |
| 23954 | 23954 | 1 | | PIN |
| 68651 | 68651 | 1 | S | WRENCH- Socket |
| A-24322 | A24322 | 1 | | WRENCH- Insert |
| 24541 | 24541 | 1 | S | SCREWDRIVER |
| A-17146 | A17146 | 1 | S | TOOL- Clutch removal (for clutch conversion kit) |
| 2498201 | 2498201 | 1 | | BIT- Driver torx 1/4" hex shank |
| 2498202 | 2498202 | 1 | /P | BIT- Driver torx 5/16" hex shank |
| A-96745 | A96745 | 1 | | CLUTCH- Conversion Kit (Lined) |

| Ref # | Part Number | Qty | S/P/F | Description |
|------------|-------------|-----|-------|--|
| A-93632-A | A93632A | 3 | S | SHOE- Clutch |
| 93639 | 93639 | 3 | S | SPIDER- Clutch |
| 93814-A | 93814A | 3 | S | SPRING- Clutch |
| A-95465 | A95465 | 1 | | SPROCKET & DRUM |
| 93643 | 93643 | 1 | | THRUST WASHER |
| 93650 | 93650 | 1 | /P | THRUST WASHER |
| 65064 | 65064 | 1 | | THRUST WASHER |
| A-65868 | A65868 | 1 | F | KIT- Manual oil pump (Prior to s/n 50440501) |
| 57289-1 | 572891 | 1 | | BUTTON |
| A-59819 | A59819 | 1 | | LINE- Oil |
| 59794 | 59794 | 1 | | GROMMET |
| A-59818 | A59818 | 1 | | VALVE- Check |
| A-59804-A | A59804A | 1 | | FILTER- Oil (intake) |
| A-57834-10 | A5783410 | 1 | /P | PLUNGER |
| 74388 | 74388 | 1 | S | "O" RING |
| 59074 | 59074 | 1 | /P | "O" RING |
| 59293 | 59293 | 1 | /P | SPRING |
| A-70910-A | A70910A | 1 | | KIT- Hand guard |
| 588512 | 588512 | 1 | /P | WASHER |
| 70788 | 70788 | 1 | S | WASHER |
| 70911 | 70911 | 1 | | SLEEVE |
| 70926 | 70926 | 1 | | SCREW- Machine flat hd. |
| 80945 | 80945 | 1 | | SCREW |
| 81225 | 81225 | 1 | /P | NUT |
| 82223 | 82223 | 1 | | SCREW |
| 96990 | 96990 | 1 | | DECAL |
| A-70944-A | A70944A | 1 | | KIT- Hand Guard |
| 588512 | 588512 | 1 | /P | WASHER |
| 70788 | 70788 | 1 | S | WASHER |
| 70911 | 70911 | 1 | | SLEEVE |
| 80945 | 80945 | 1 | | SCREW |
| 81225 | 81225 | 1 | /P | NUT |
| DA70790A | DA70790A | 1 | | KIT- Safe-T-TIP (Standard) |
| 82335 | 82335 | 1 | S | SCREW |
| 95920 | 95920 | 1 | S | CARRY CASE |
| 57084-1 | 570841 | 1 | /P | REEL- Starting rope (250 Ft.) #5 |
| A-70370-A | A70370A | 1 | | KIT- Insert (for drivecase guide barstuds) |
| 7031099 | 7031099 | 1 | S | TUBING- Rubber 10 ft. (Fuel) |
| 7030999 | 7030999 | 1 | /P | TUBING- Rubber 10 ft. (Oil) |
| A-97553 | A97553 | 1 | /P | THROTTLE HANDLE CONVERSION KIT (For the XL-12 single reed system) |
| 23475 | 23475 | 1 | /P | LACQUER- Red |
| 22772 | 22772 | 1 | | LACQUER- Black |



SXLAO Chain Saw UT-10591
Zama Carburetor

| Ref # | Part Number | Qty | S/P/F | Description |
|-------|-------------|-----|-------|------------------------|
| 1 | 94954 | 1 | | Repair Kit |
| 2 | 94954 | 1 | | Repair Kit |
| 3 | 94954 | 1 | | Repair Kit |
| 4 | 94954 | 1 | | Repair Kit |
| 5 | 94954 | 1 | | Repair Kit |
| 6 | 94954 | 1 | | Repair Kit |
| 7 | 94954 | 1 | | Repair Kit |
| 8 | 94954 | 1 | | Repair Kit |
| 9 | 94954 | 1 | | Repair Kit |
| 10 | 94954 | 1 | | Repair Kit |
| 11 | 94954 | 1 | | Repair Kit |
| 12 | 94954 | 1 | | Repair Kit |
| 13 | 94954 | 1 | | Repair Kit |
| | 94952 | 1 | | Diaphragm & Gasket Kit |
| 14 | 94954 | 1 | | Repair Kit |
| | 94952 | 1 | | Diaphragm & Gasket Kit |
| 15 | 94954 | 1 | | Repair Kit |
| | 94952 | 1 | | Diaphragm & Gasket Kit |
| 16 | 94954 | 1 | | Repair Kit |
| | 94952 | 1 | | Diaphragm & Gasket Kit |