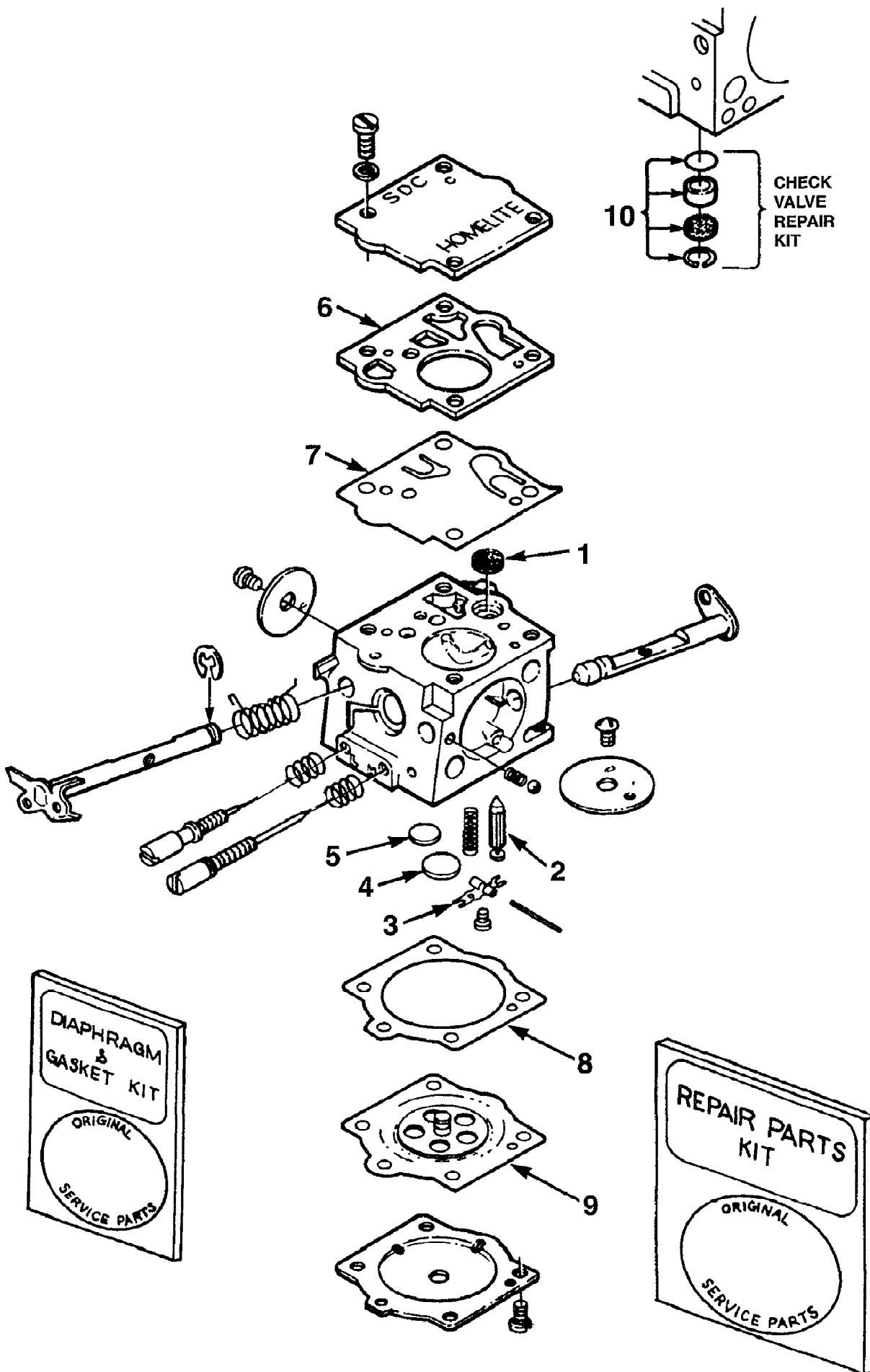


SXLAO (Big Red) Chain Saw UT-10739
Carburetor (Walbro)

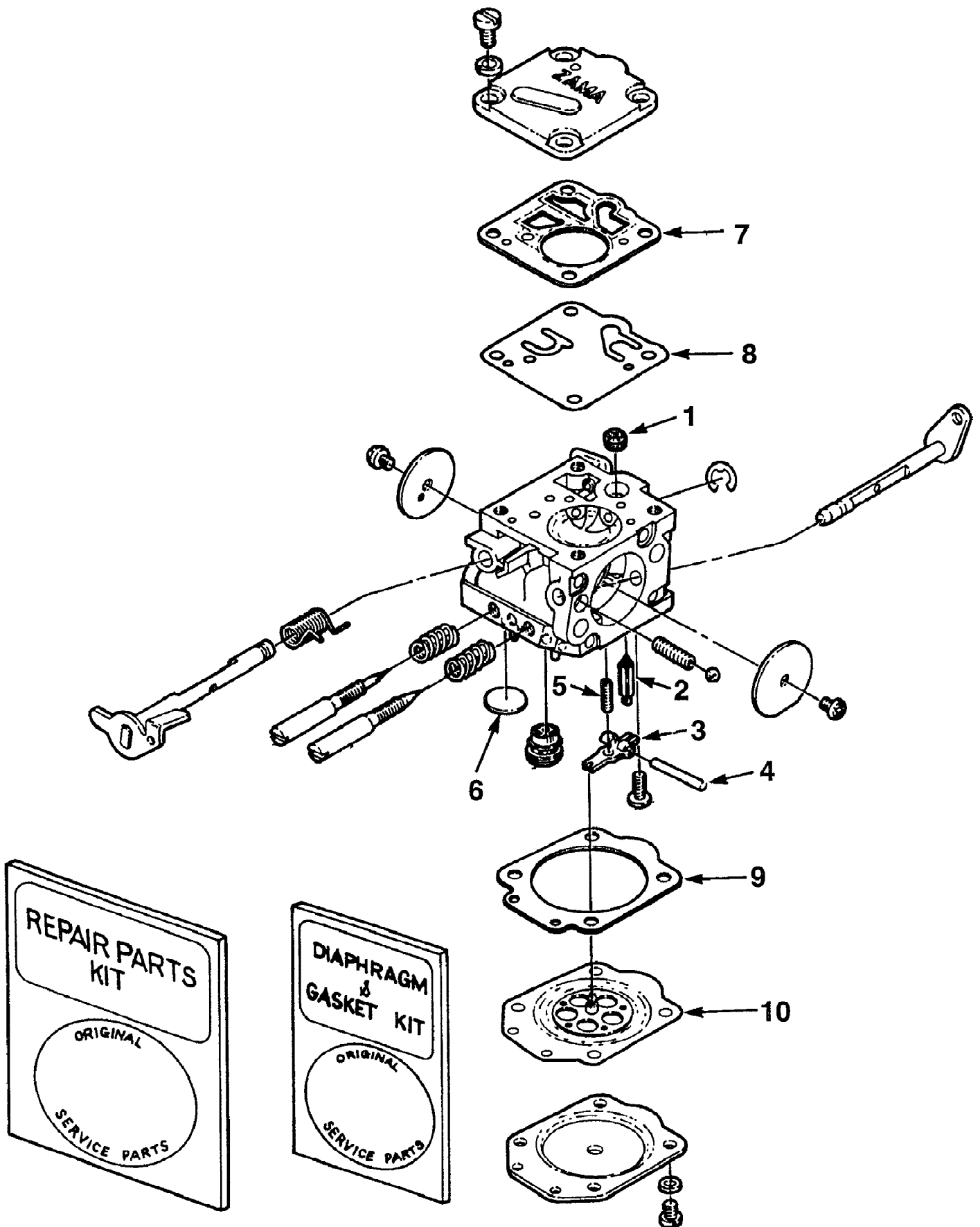


SXLAO (Big Red) Chain Saw UT-10739
Carburetor (Walbro)

Page 2 of 18

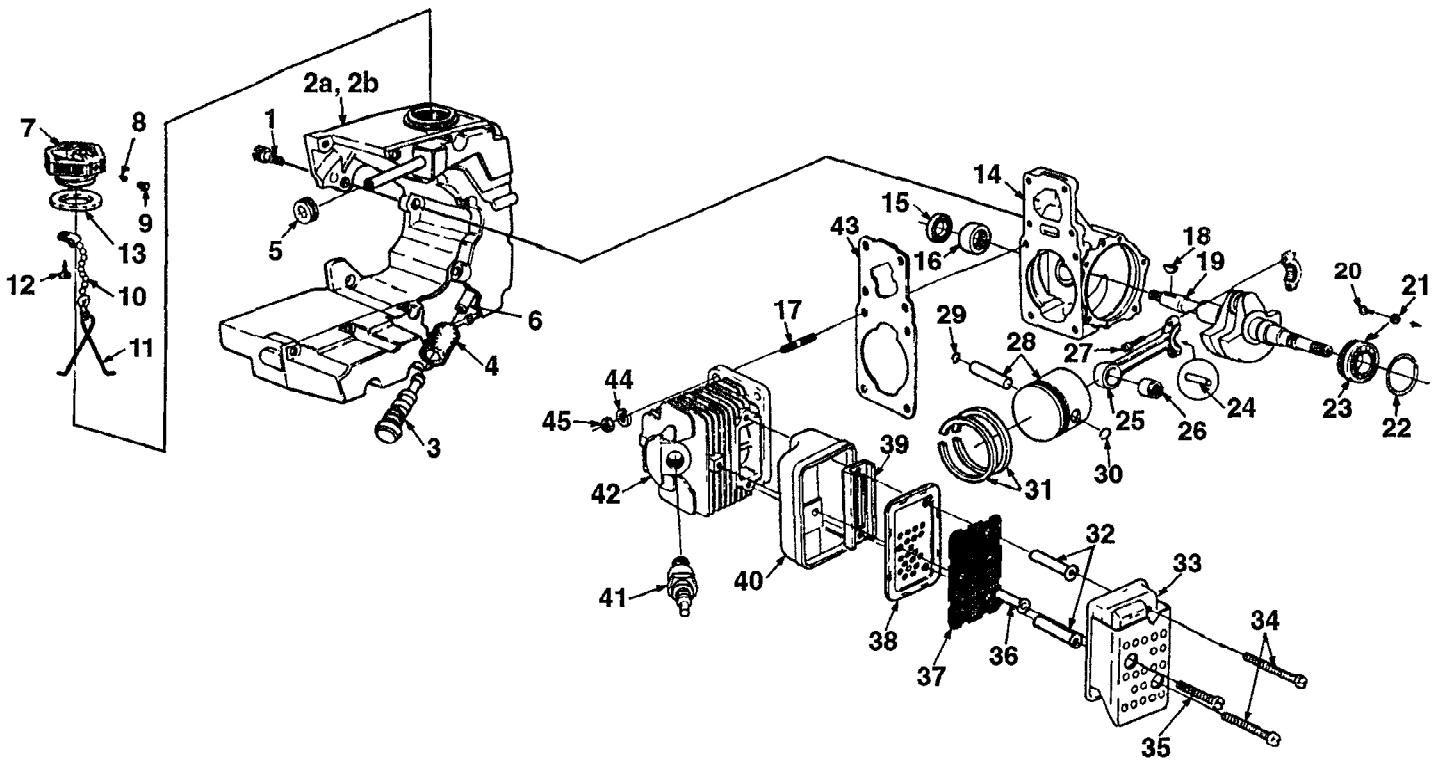
Ref #	Part Number	Qty	S/P/F	Description
	A68371C	1	/P	Carburetor (WALBRO) SDC-87
1	67020	1		Repair Kit Includes items (1-9)
2	97942	1	/P	Inlet Needle Included in Repair Kit P/N 67020
3		1		Superseded by UP07217 Included in Repair Kit P/N 67020
4		1		Superseded by UP07217 Included in Repair Kit P/N 67020
5		1		Superseded by UP07217 Included in Repair Kit P/N 67020
6	98630	1		Diaphragm & Gasket Kit Included items (6-9); Included in Repair Kit P/N 67020
7		1		Superseded by UP07217 Included in Diaphragm & Gasket Kit P/N 98630 & Repair Kit P/N 67020
8		1		Superseded by UP07217 Included in Diaphragm & Gasket Kit P/N 98630 & Repair Kit P/N 67020
9		1		Superseded by UP07217 Included in Diaphragm & Gasket Kit P/N 98630 & Repair Kit P/N 67020
10	90310B	1		Check Valve Kit

SXLAO (Big Red) Chain Saw UT-10739
Carburetor (Zama)



Ref #	Part Number	Qty	S/P/F	Description
	A07048	1	S	Carburetor (Zama) C2-20-02
1	94954	1		Repair Kit Includes items (2-10)
2		1		Superseded by UP07217 Included in Repair Kit P/N 94954
3		1		Superseded by UP07217 Included in Repair Kit P/N 94954
4		1		Superseded by UP07217 Included in Repair Kit P/N 94954
5		1		Superseded by UP07217 Included in Repair Kit P/N 94954
6		1		Superseded by UP07217 Included in Repair Kit P/N 94954
		1		Superseded by UP07217 Included in Repair Kit P/N 94954
7	94952	1		Diaphragm & Gasket Kit Included in Repair Kit P/N 94952; Includes items (7-10)
8		1		Superseded by UP07217 Included in Repair Kit P/N 94954 & Diaphragm & Gasket Kit P/N 94952
9		1		Superseded by UP07217 Included in Repair Kit P/N 94954 & Diaphragm & Gasket Kit P/N 94952
10		1		Superseded by UP07217 Included in Repair Kit P/N 94954 & Diaphragm & Gasket Kit P/N 94952

SXLAO (Big Red) Chain Saw UT-10739
Engine & Fuel Tank

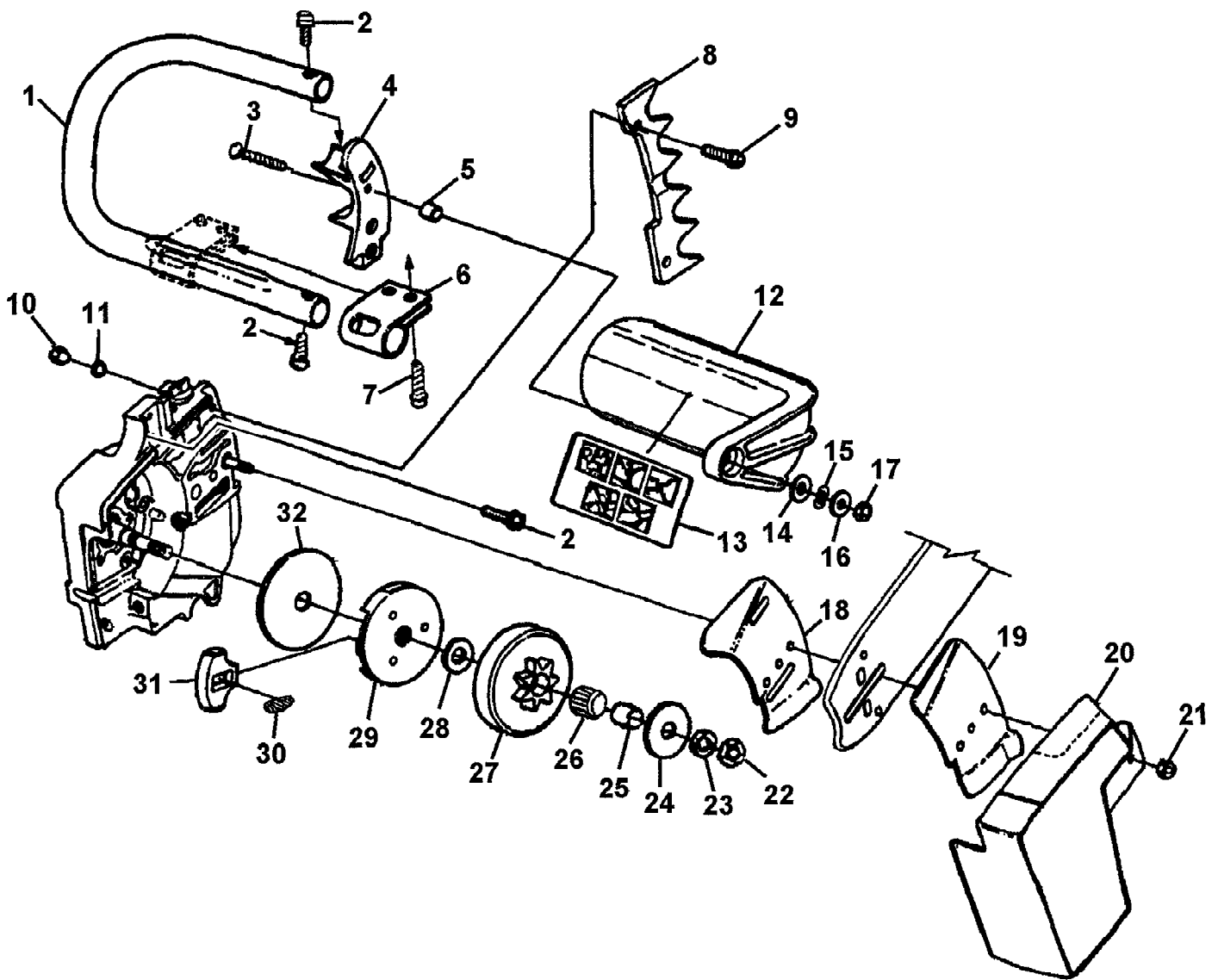


SXLAO (Big Red) Chain Saw UT-10739
Engine & Fuel Tank

Page 6 of 18

Ref #	Part Number	Qty	S/P/F	Description
1	63407	3	/P	SCREW-Shoulder
2A	A639027	1		FUEL TANK (UT10712) (Fuel Tank Only (Old Blue). No Additional Parts Included.)
2B	A68345B	1	/P	FUEL TANK
3	A69923	1	S	FILTER-Fuel
4	64083	1		FELT FILTER
5	68049	1		GROMMET
6	7031037	1		TUBING-Rubber (9 1/4")
7	A694991	1	S	CAP-Fuel Filler
8	69451	1	/P	VALVE Check
9	69454	1	/P	FILTER-Fuel Cap
10	69502	1		CHAIN-Bead
11	96535	1	/P	RETAINER
12	82256A	1	/P	SCREW-Pan Hd. (#6 X 1/4")
13	69501	1	/P	GASKET-Fuel Filler Cap
14	A65736	1	/P	CRANKCASE
15	12282A	1	S	SEAL
16	58956	1	/P	BEARING
17	96127A	1	/P	STUD-Cylinder
18	75078	1		KEY-Woodruff
19	93595	1	S	CRANKSHAFT
20	70306	2		SCREW-Torx
21	59705	2		WASHER-Lock
22	58319A	2	/P	RING-Retaining
23	58190	2	/P	BEARING-Ball
24	A69054	1		ROLLER SET (31)
25	A63477A	1		ROD-Connecting
26	93369	1		BEARING
27	69919	2	/P	SCREW-Cap Soc. Hd.
28	A68438	1	S	PISTON & PIN
29	75120	1	/P	RING-Retaining
30	64813	1	/P	RING-Retaining
31	594361A	2	S	PISTON RING
?B	A94219A	1		MUFFLER ASSEMBLY
32	9398301	2		SPACER-Muffler
33	A95988	1	/P	CAP-Muffler & Shield
34	94128	2		SCREW-Hex Hd. (12-24 X 2 1/4")
35	94129	1		SCREW-Hex Hd. (12-24 X 1 7/8")
36	9398302	1		SPACER-Muffler
37	93979	1		SCREEN-Spark Arrestor
38	93980	1		BAFFLE-Muffler
39	94133A	1		PLATE-Muffler
40	93981	1		BODY-Muffler
41	63547S	1	/P	SPARK PLUG (CJ8)
42	A69714	1	S	CYLINDER
43	59771	1		GASKET - Cylinder
44	83061	4	/P	WASHER-Lock (1/4")
45	96212	4	/P	NUT (1/4 - 28)

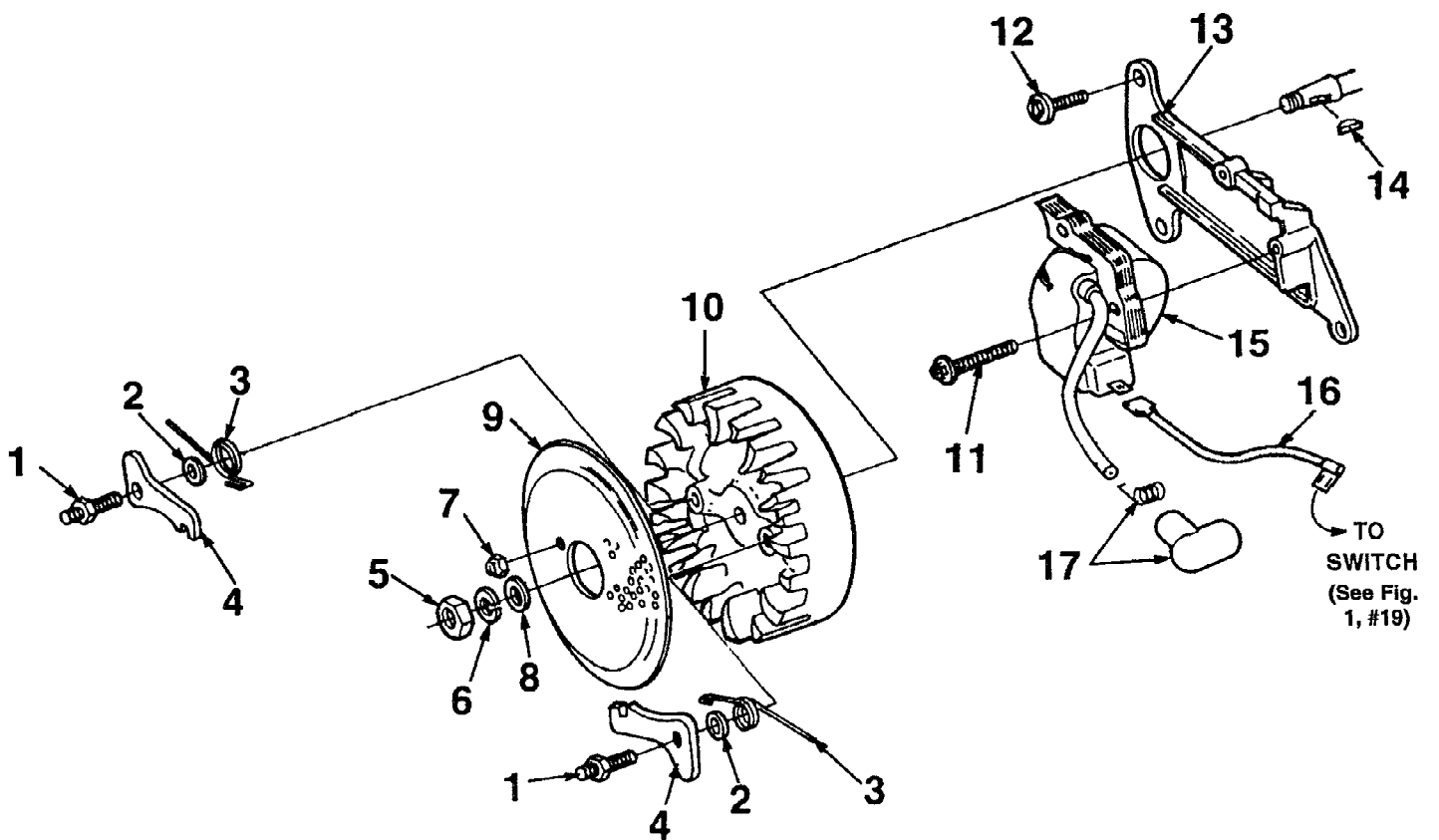
SXLAO (Big Red) Chain Saw UT-10739
Handle & Clutch



SXLAO (Big Red) Chain Saw UT-10739
Handle & Clutch

Page 8 of 18

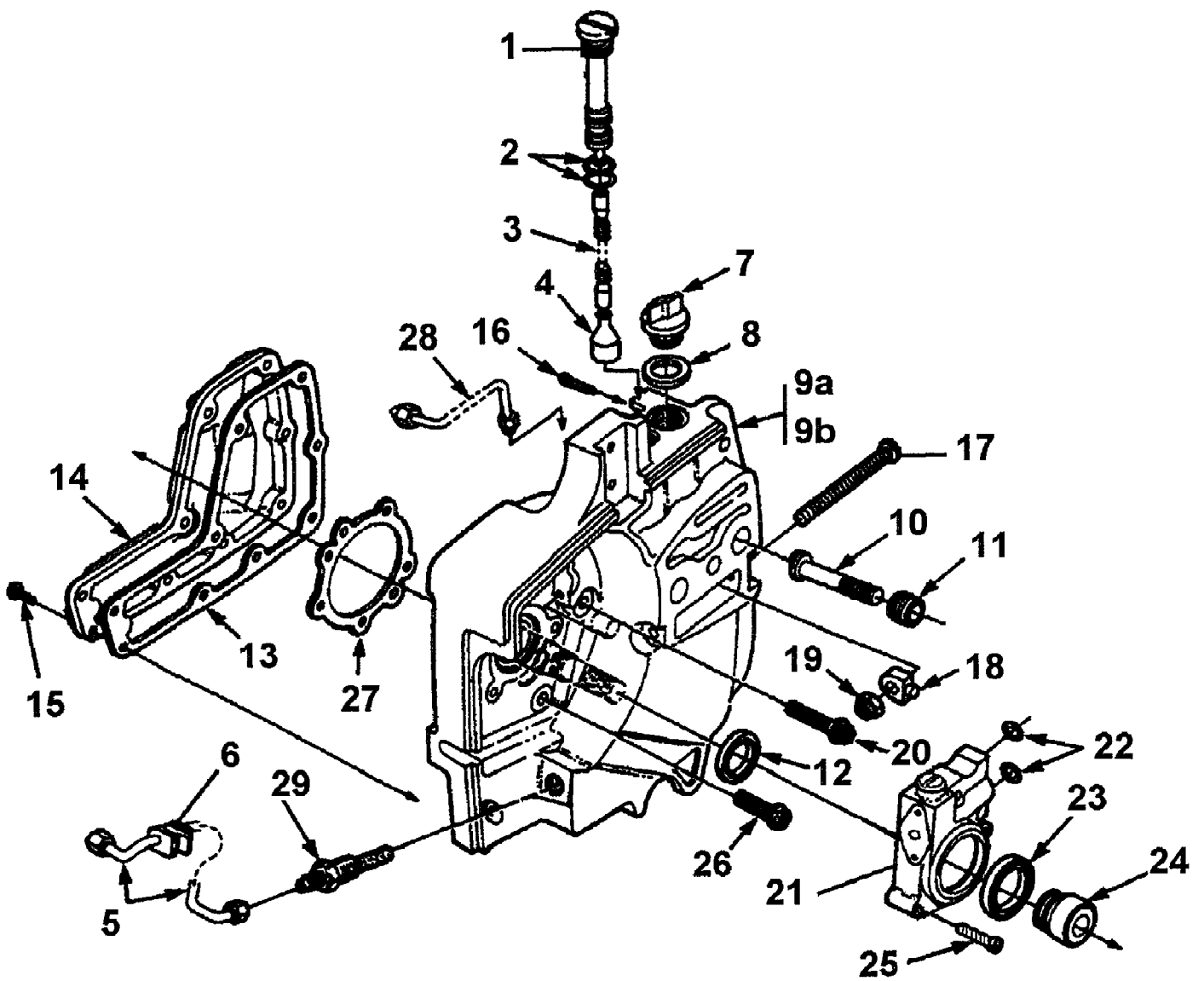
Ref #	Part Number	Qty	S/P/F	Description
1	A98080	1	/P	HANDLE BAR-Flush Cut
2	804281	1	S	SCREW-Soc Hd. (1/4-20 X 1")
3	82223	4		SCREW-Flat Hd. (12-24 X 1 1/4")
4		1		UNKNOWN
?4A	5965119	1		BRACKET-Handle Bar
?4B	5965118	1		BRACKET-Handle Bar (UT 10712)
5	95937	1		SPACER
6	63291A	1	S	CLAMP-Handle Bar
7	80867	4	/P	SCREW-Mach. Hex Hd. (12-24 X 3/4")
8	A59043	1	S	BUMPER SPIKE KIT (Accessory)
9	80867	2	/P	SCREW-Hex (12-24 X 3/4")
10	81068	2	/P	NUT-Hex (12-24)
11	70901	2	/P	WASHER-Lock (#12)
12	A95088A	1		HAND GUARD
13	02661	1		DECAL-Hand Guard
14	84065	1	S	WASHER-Flat
15	96757	1		WASHER-Spring Wave
16	95935	1	/P	WASHER-(5/16)
17	81225	1	/P	NUT (12-24)
	A70618	1	/P	GUIDE BAR PLATE KIT
18	70399	1	S	PLATE-Guide Bar (Inner)
19	70400	1	S	PLATE-Guide Bar (Outer)
20		1		UNKNOWN
?20A	5875026	1	S	COVER-Drive Case
?20B	5875025	1	S	COVER-Drive Case (UT10712)
21	810892	1	/P	NUT-Hex (3/8-16)
22	81124A	1	/P	NUT-Lock (3/8-24)
23	83018	1	/P	WASHER-Lock (3/8")
24	65064	1		WASHER-Thrust (Outer)
25	65746B	1	S	RACE-Inner
26	64124	1	S	BEARING-Roller
27	A95459	1		SPROCKET & DRUM (7 Tooth Std)
28	58833	1	/P	WASHER-Thrust (Inner)
	A69480C	1	/P	CLUTCH ASSEMBLY
29	657601B	1	/P	PLATE-Clutch
30	67053	3		SPRING-Clutch
31	69461	3		SHOE-Clutch
32	95054	1	S	COVER-Clutch



SXLAO (Big Red) Chain Saw UT-10739
Ignition

Page 10 of 18

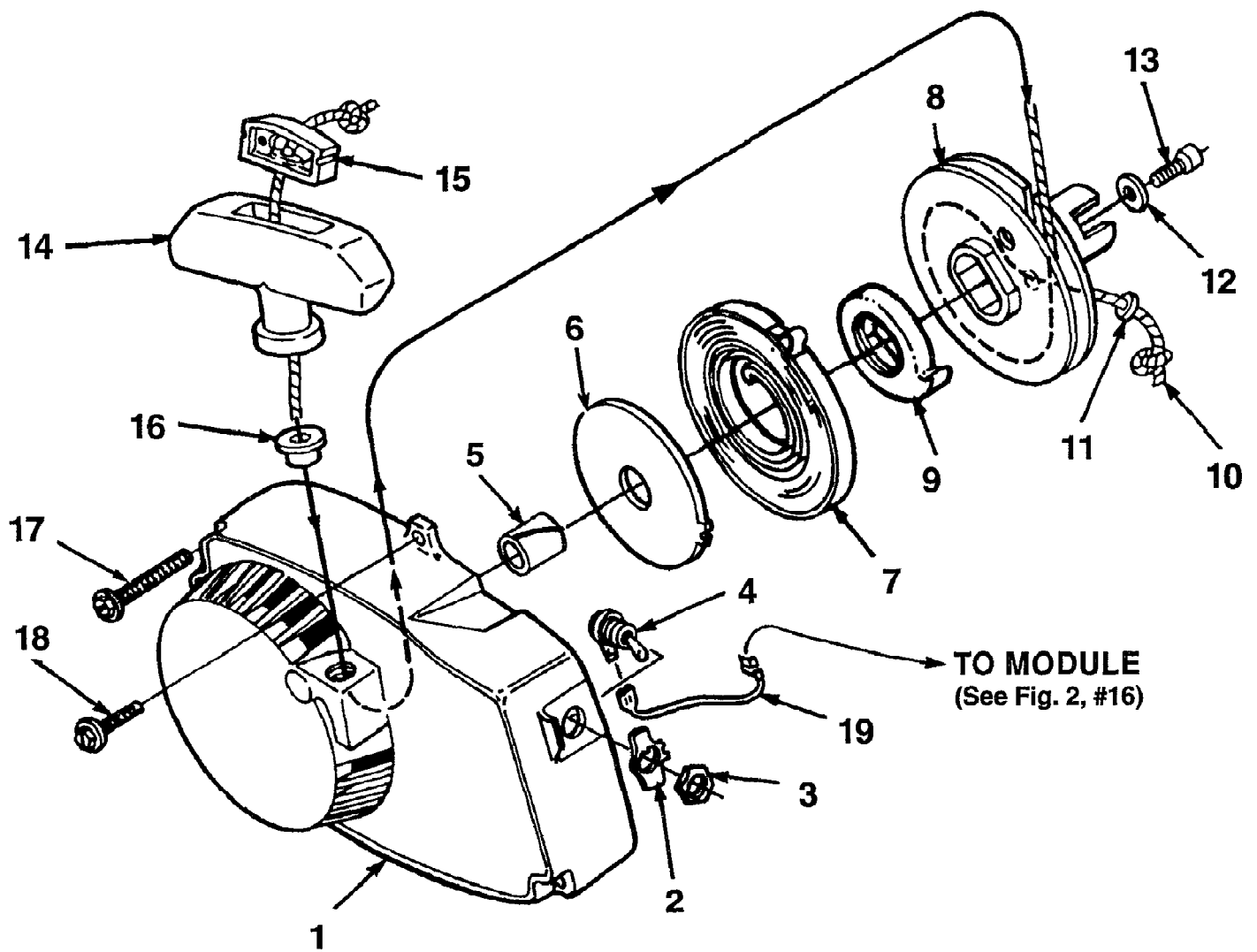
Ref #	Part Number	Qty	S/P/F	Description
1	58757E	2	/P	STUD-Shoulder
2	70901	2	/P	WASHER-Lock
3	01101	2	/P	SPRING-Starter Pawl
4	58756A	2	/P	PAWL-Starter
5	81117	1	/P	NUT-Hex (5J/16-24)
6	83002	1	/P	WASHER-Lock (5/16)
7	81206	2	S/P	NUT-Center Lock (#10-32)
8	84056	1	S	WASHER-Flat (5/16)
9	58765	1		SCREEN-Starter
10	94588	1		ROTOR-Magneto
11	82248	2		SCREW-Hex Washer Hd. (8-32 X 3/4)
12	80899	3		SCREW-Hex Hd. (12-24 X 9/16)
13	943261	1	/P	PLATE-Ignition Coil Mtg. (Solid State)
14	75078	1		KEY-Woodruff
15	94589AS	1	/P	MODULE & CORE
16	A94850	1	/P	LEAD-Ground (Solid State)
17	A33055	1	/P	TERMINAL-High Tension



SXLAO (Big Red) Chain Saw UT-10739
Oil Pump & Drivecase

Page 12 of 18

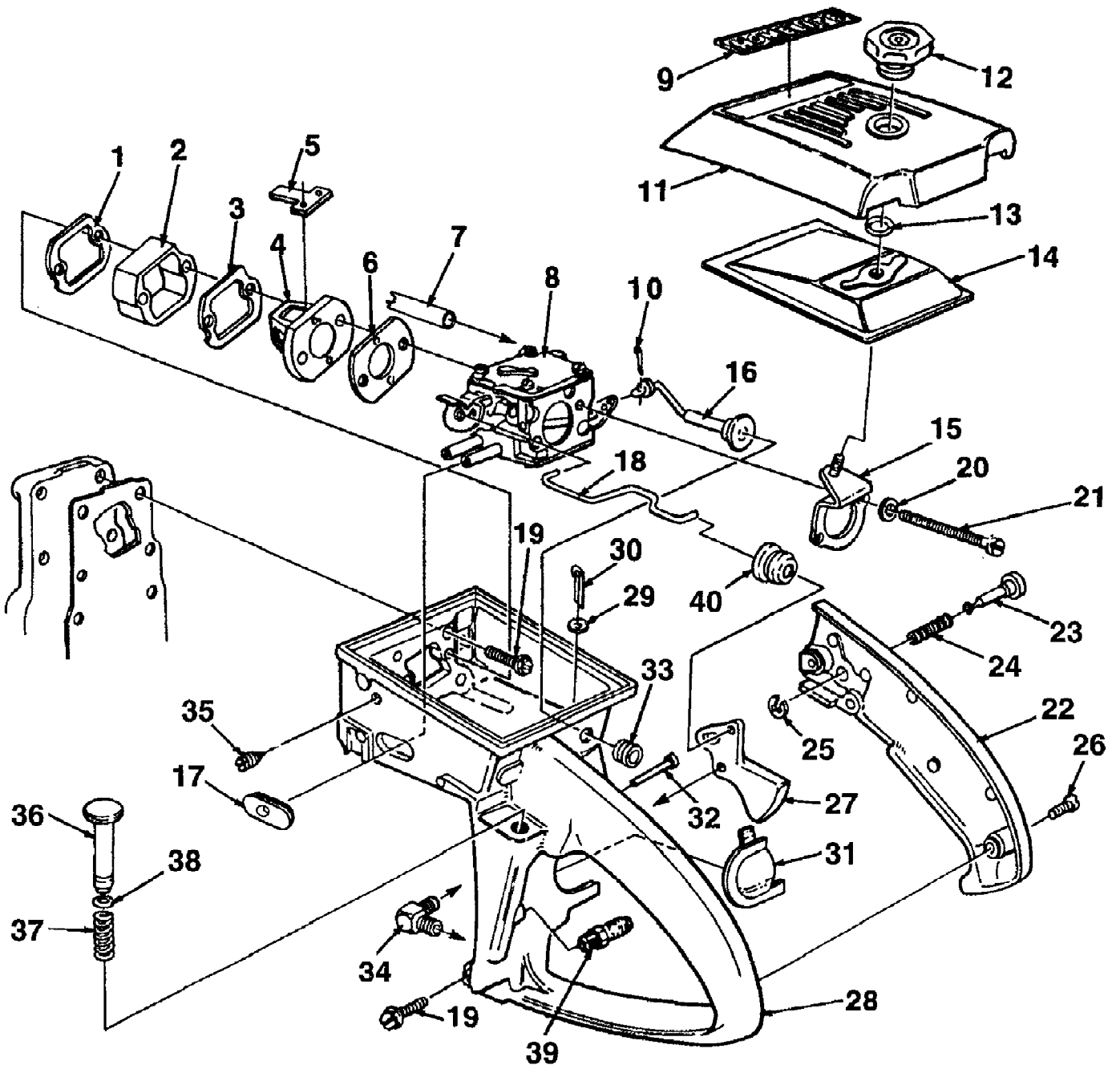
Ref #	Part Number	Qty	S/P/F	Description
	A69371	1	S	OIL FILTER ASSEMBLY
1	593252	1	/P	TUBE-Oil Line
2	59765	1		"O" RING
3	7030909	1	S	TUBING-Rubber (2 1/4")
4	A68593	1		FILTER-Oil
5	A59819	1		LINE-Oil
6	59794	1		GROMMET
7	A63717C	1	/P	CAP-Filler Oil
8	56607	1	/P	GASKET
9A	A02033	1		DRIVECASE ASSEMBLY (UT10712); (Drivecase Only. No Additional Parts included.)
9B	A59930J	1	/P	DRIVECASE ASSEMBLY
10	67475	2		STUD-Guide Bar (3/8)
11	67476	2		INSERT-Threaded
12	58308B	1	S	SEAL
13	59710	1		GASKET-Oil Reservoir
14	964533	1	/P	COVER-Oil Reservoir
15	82564	9	S	SCREW-Thread Form. (6 X 1/2")
	80742	1		SCREW-Set (Not Shown)
16	86301	1		PIN-Cotter
17	63225	1	/P	SCREW-Guide Bar Adjusting
18	93039	1	/P	PIN-Bar Adjusting
19	81204	1	/P	NUT-Lock (1/4-20)
20	80864	1	/P	SCREW-Hex (12-24 X 1")
21	A00007A	1		PUMP-Automatic Oil
22	59074	2	/P	"O" RING
23	59926	1	S	SEAL-Felt
24	00001	1		WORM GEAR, OIL PUMP
25	82248	3		SCREW-Fil (8-32 X 3/4")
26	80899	4		SCREW-Hex (12-24 X 9/16)
27	63355	1	S	GASKET-Crankcase
28	A59806	1	S	LINE-Oil (Discharge)
29	A59804A	1		FILTER-Oil (Manual Oil)



SXLAO (Big Red) Chain Saw UT-10739
Starter

Page 14 of 18

Ref #	Part Number	Qty	S/P/F	Description
1		1		UNKNOWN
?1A	A02022	1	S	STARTER-Complete (UT10712)
?1B	A07027	1	/P	STARTER-Complete
2	95231	1	S	PLATE- On & Off
3	72084A1	1	S	NUT- Hex Locking
4	96831	1	/P	SWITCH & LEAD
5	64443	1	/P	BUSHING-Starter
6	59638B	1	/P	SHIELD-Spring (inner)
7	A94842	1	/P	SPRING- Recoil
8	A64446	1	/P	PULLEY-Starter
9	94827	1	S	BUSHING-Spring
10	A93875	1	S	ROPE-Starter (48")
11	93862	1	/P	WASHER-Flat Nylon
12	58763	1		WASHER-Retainer
13	80648	1	/P	SCREW-Hex (10-32 X 1/2")
14	A69962B	1	/P	GRIP-Starter Rope
15	70018A	1	/P	INSERT
16	67177	1		BUSHING-Rope
17	58963	3		SCREW-Hex (12-24 X 11/16)
18	80899	1		SCREW-Hex (12-24 X 9/16)
?19	A94850	1	/P	LEAD-Ground (Solid State)



SXLAO (Big Red) Chain Saw UT-10739
Throttle Handle & Carburetor

Page 16 of 18

Ref #	Part Number	Qty	S/P/F	Description
1	59274	1		GASKET-Spacer
2	59718	1		SPACER-Heat Dam
3	63260A	1	S	RETAINER-Reed Valve
4	63253	1		SEAT-Reed Valve
5	59678B	4	S	VALVE-Reed
6	59722	1		GASKET-Carburetor
7	7031037	1		LINE-Fuel (9 1/4")
8	A68371C	1	/P	CARBURETOR-Walbro
	A07048	1	S	CARBURETOR-Zama
9	06738	1		LABEL-Homelite
10	86324	1	/P	PIN-Cotter
11	587733A	1	/P	COVER-Air Filter
12	A65272	1	S	NUT-Air Filter Cover
13	58319A	1	/P	RING-Retaining
14	63589A	1	S/P	ELEMENT-Air Filter
15	A59822B	1	/P	BRACKET-Mounting
16	681301	1		ROD-Choke
17	A07047	1	/P	GROMMET KIT
18	59763	1		ROD-Throttle
19	80891	5	/P	SCREW-Hex (12-24 X 7/8")
20	83046	2		WASHER-Lock (#10)
21	80921	2		SCREW-Hex (10-32 X 2 11/16")
22		1		UNKNOWN
?22A	5877912	1		COVER-Throttle Handle (UT10712); (Painted Casting Only. No Additional Parts Included.)
?22B	A06727	1	/P	COVER-Throttle Handle
	67752	1		BUSHING-Pin (Not Shown)
23	95671	1	S	PIN-Throttle Latch
24	58405	1		SPRING-Throttle Latch
25	58409	1	/P	RING-Retaining
26	80560	2	/P	SCREW-Pan (8-32 X 1/2")
27	58859A	1	/P	TRIGGER-Throttle
28		1		UNKNOWN
?28A	5924412	1		THROTTLE HANDLE (UT10712) (Painted Casting Only. No Additional Parts Included.)
?28B	A06729	1		THROTTLE HANDLE
29	63290	1		WASHER-Felt
30	86301	1		PIN-Cotter
31	93209	1	S	SHIELD-Spark Plug
32	94142	1		PIN, Oil Plunger Retaining
33	A59011	1		VALVE-Check
34	63302B	1	/P	SCREW-Idle
35	58362	1		GROMMET KIT
36	A93783	1	S	PLUNGER-Spring
37	59293	1	/P	SPRING-Compression
38	74388	1	S	"O" RING
39	A59818	1		VALVE-Check
40	67634	1		BOOT- Throttle Rod

No
Diagram
Available

Parts List
Only

Ref #	Part Number	Qty	S/P/F	Description
	238464	1		ANVIL - Crankshaft
	23758	1	S	PLUG - Seal assembly - Drive & Crankcase
	23845	1		PLUG - Seal installation - Drivecase assembly
	A24290	1	/P	PULLER - Magneto Rotor
	23844	1		SLEEVE - Seal protecting
	23759	1		SLEEVE - Seal protecting - Crankcase
	23800	1	S	SLEEVE - Seal installation - Drive & Crankcase
	A23934	1	/P	WRENCH - Spanner to assemble & disassemble Clutch
	23954	1		PIN
	A24824	1	S	WRENCH - Combination
	A24322	1		WRENCH-Insert
	A17146	1	S	TOOL - Clutch removal (For Clutch Conversion Kit)
	2498201	1		BIT - Driver torx 1/4" shank
	2498202	1	/P	BIT - Driver torx 5/16" shank
	A96745	1		CLUTCH CONVERSION KIT
	A93632B	3	S	SHOE - Clutch
	93639	3	S	SPIDER - Clutch
	93814A	3	S	SPRING - Clutch
	A95465	1		SPROCKET & DRUM
	93643	1		THRUST WASHER
	93650	1	/P	THRUST WASHER
	65064	1		THRUST WASHER
	A65868	1		MANUAL OIL PUMP KIT (Prior to S/N 50440501)
	572891	1		BUTTON
	A59819	1		OIL LINE
	59794	1		GROMMET
	A59818	1		VALVE - Check
	A59804A	1		FILTER - Oil Intake
	A5783410	1	/P	PLUNGER
	74388	1	S	"O" RING
	59074	1	/P	"O" RING
	59293	1	/P	SPRING
	A70790B	1	/P	SAFE-T-TIP KIT (Standard)
	82335	1	S	SCREW
	A01502A	1	S	CARRY CASE
	570841	1	/P	REEL - Starting Rope (250 Ft.) (#5)
	A70370A	1		INSERT KIT (For Drivecase & Barstuds)
	7031099	1	S	TUBING - Rubber (10 Ft.) (Fuel & Oil)
	7030998	1	S	TUBING - Rubber (100 Ft.) (Fuel & Oil)