

PART NO. 17105 — REV. 2

Printed in U.S.A.

Price .35

HOMELITE[®]
JACOBSEN

PARTS LIST



MODELS:

750 (UT-10453-A)

750E (UT-10536-A)

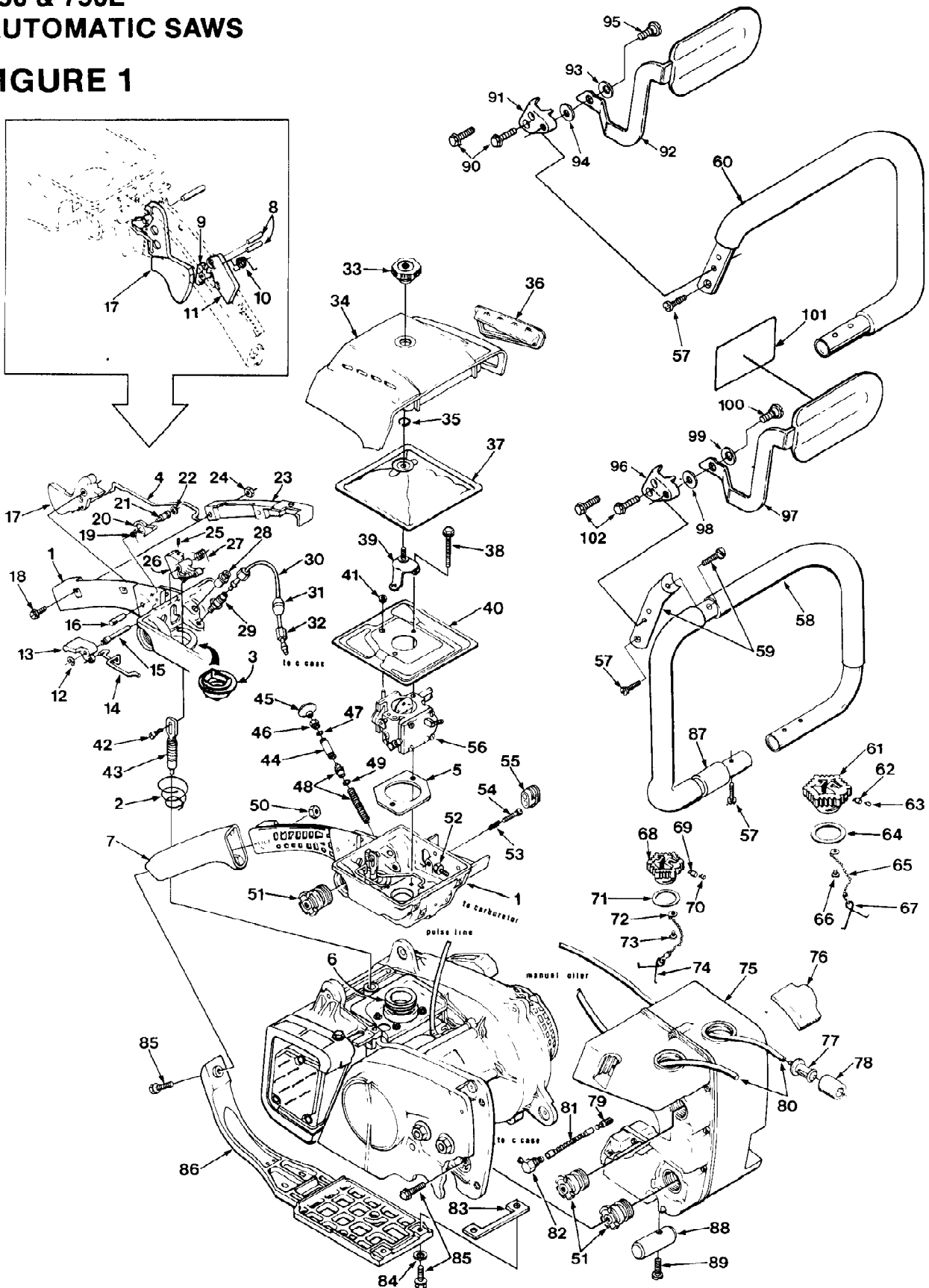
PROFESSIONAL CHAIN SAWS

HOMELITE **TEXTRON**

Homelite Division of Textron Inc.

**750 & 750E
AUTOMATIC SAWS**

FIGURE 1



**750 & 750E
AUTOMATIC SAWS**

FIGURE 1

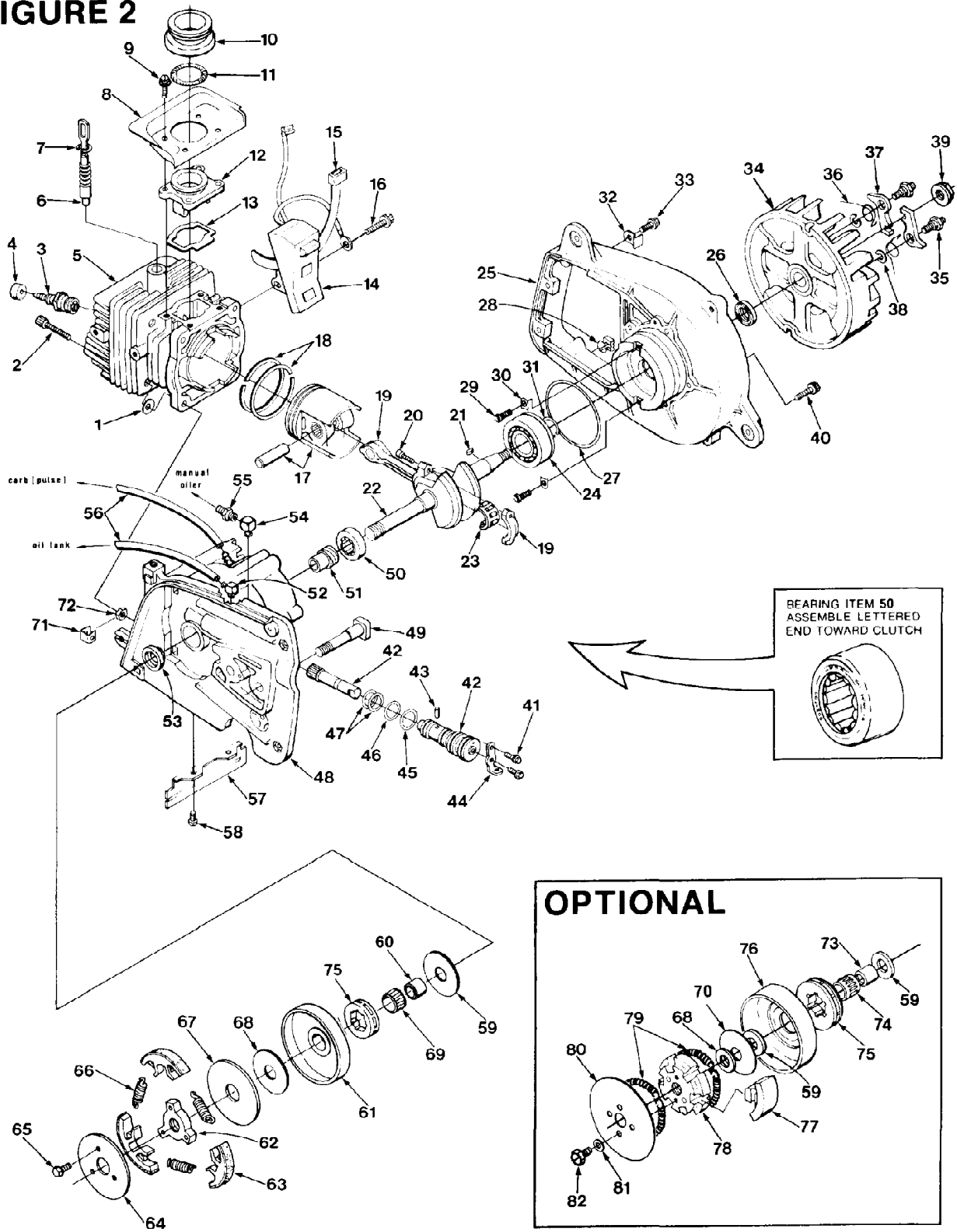
NO.	DESCRIPTION	PART NO.	QTY.	NO.	DESCRIPTION	PART NO.	QTY.
1	HANDLE- Throttle	A-12813-1	1	60	HANDLE BAR- Flush-cut (750E)	A-12898-A	1
	Includes:			61	CAP- Fuel filler	A-69500-A	1
2	SPRING- Conical	12867	1		Includes:		
3	BOOT- Sealing	12799-A	1	62	VALVE- Check (Oval duckbill)	69451	1
4	ROD- Throttle	12642-B	1	63	FILTER- Filter cap	69454	1
5	SPACER- Heat insulation	12991	1	64	GASKET- Fuel cap	69501	1
6	CONNECTOR- Carburetor	12623-B	1	65	CHAIN- Bead	69502	1
7	GRIP- Throttle handle (Note 1)	70019-2	1	66	SCREW- Pan hd. Plastite		
8	PIN- Groove	64939	2		(#6 x 1/4)	82256-A	1
9	LEVER- Trigger lock	93132	1	67	RETAINER	96535	1
10	SPRING- Torsion	93623	1	68	CAP- Oil filler	A-12222	1
11	TRIGGER- Lock (750E)	93131	1		Includes:		
12	RING- Retaining	69071	1	69	VALVE- Check (Oval duckbill)	69451	1
13	LEVER- Choke	12620	1	70	FILTER- Filter cap	69454	1
14	ROD- Choke	12643	1	71	GASKET- Oil cap	12126	1
15	PIN- Pivot (Compression arm)	12682	1	72	CHAIN- Bead	69502	1
16	PIN- Trigger	12983	1	73	SCREW- Pan hd. plastite #6 x 1/4	82256-A	1
17	TRIGGER- Throttle (Note 1)	12618	1	74	RETAINER	96535	1
18	SCREW- Pan hd. 8-32 x 3/8	82253	2	75	TANK- Fuel and Oil	A-70567-B	1
19	SPRING- Torsion (Compression arm)	12681	1		Includes:		
20	CAM- Compression release	12621	1	76	BUMPER- Fuel tank	12863	1
21	PIN- Pivot (Compression cam)	12680	1	77	PICK- Up-Fuel	A-97700	1
22	RING- Retaining	12683	1		Includes:		
23	COVER- Throttle handle	12616-2A	1	78	FILTER- Felt	59253-1A	1
24	NUT- Hex 8-32	81223	2	79	FINDER- Oil	A-64293	2
25	SCREW- Set 10-32 x 3/8	12864	1	80	TUBING- Fuel & Oil 12"	93112-48	2
26	ARM- Compression release valve	12644-1	1	81	LINE- Oil (Flexible)	63605	1
27	SPRING- Torsion (Compression arm)	12656	1	82	FLBOW- 90°, oil line	12661	1
28	VALVE- Check (Inlet)	A-12987	1	83	SPACER- Heat insulating	12979	1
29	VALVE- Check (Outlet)	A-65077	1	84	WASHER	12984	2
30	LINE- Manual oil discharge	A-70079	1	85	SCREW- Hex sems 10-24 x 3/4	88051	7
	Includes:			86	BRACE- Throttle handle	12610-2C	1
31	SLEEVE- 1/8 compression	25301	2	87	BUSHING- Handle bar	69187	1
32	NUT- Compression (5/16-24)	25302	1	88	STOP- Chain (750E)	93696	1
33	NUT- Filter cover mounting	A-65272	1	89	SCREW- Hex sems (750E)		
34	COVER- Air filter	A-93016-2A	1		10-24 x 7/8	88052	1
35	RING- Retaining	58319-A	1		KIT- Hand guard (750E)	A-93967-A	1
36	INTAKE- Air (Air filter cover)	12893	1		Includes:		
37	FILTER ELEMENT- Air	A-12742-A	1	90	SCREW- Sems hex hd.		
38	SCREW- Hex sems 10-24 x 2	88057	2		10-24 x 7/8 (750E)	88052	2
39	BRACKET- Air filter cover	A-93001-A	1	91	BRACKET- Hand guard (750E)	12238-3	1
40	SHIELD- Carburetor chamber	A-93294	1	92	GUARD- Hand (750E)	A-93968-A	1
	Includes:				Includes:		
41	GROMMET	53312-1	1	93	WASHER- (750E)	70788	1
42	SCREW- Shoulder	12861	1	94	WASHER- Flat (750E)	94867	1
43	VALVE- Compression release	A-12712	1	95	SCREW- Shoulder (750E)	93914	1
44	PLUNGER- Oil pump (Manual)	A-94094	1	96	BRACKET- Hand guard (750)	12238-3	1
	Includes:			97	GUARD- Hand (750) (Note 2)	A-96177-A	1
45	BUTTON	65084	1		Includes:		
46	NUT	65082	1	98	WASHER (750)	94867	1
47	"O"- RING	59074	1	99	WASHER (750)	70788	1
48	PLUNGER Pump	A-67235-A	1	100	SCREW- Shoulder (750)	93914	1
	Includes:			101	DECAL	96990	1
49	"O"- RING	58406	1	102	SCREW- Sems hex hd. 10-24 x 7/8	88052	2
50	NUT- Hex 10-24	81208	1				
51	ISOLATOR- Vibration	A-12708-B	5				
52	SCREW- Hex sems 10-24 x 5/8	88050	4				
53	SPRING- Idle adjustment	12784	1				
54	SCREW- Idle adjustment	12783	1				
55	GROMMET- Carburetor needle	12891	1				
56	CARBURETOR (WB-9)	A-94108	1				
57	SCREW- Soc hd. cap 10-24 x 7/8	82262	4				
58	HANDLE BAR- Wrap around (750)	A-12714-A	1				
	Includes:						
59	BRACE- Handle	12765-A	1				
	SCREW- Soc hd. cap 10-24 x 7/8 (See #57)	82262	1				

NOTE 1: Units without trigger lock items #8, #9, #10 and #11, must use 70019-A grip.

NOTE 2: HAND GUARD A-96177-A must be used with A-12714-A handle bar.

**750 & 750E
AUTOMATIC SAWS**

FIGURE 2

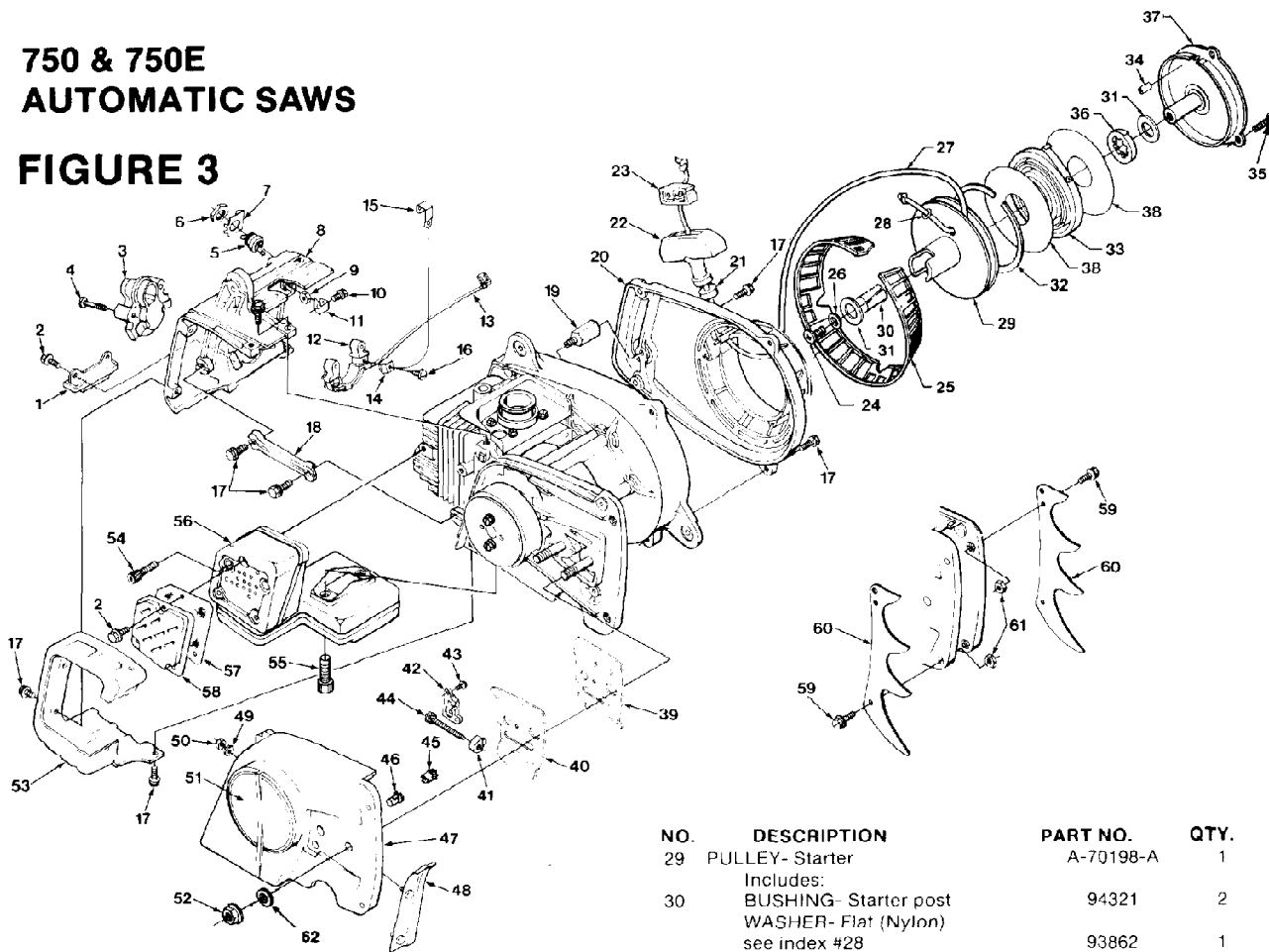


**750 & 750E
AUTOMATIC SAWS
FIGURE 2**

NO.	DESCRIPTION	PART NO.	QTY.	NO.	DESCRIPTION	PART NO.	QTY.
1	WASHER- Conical	12631	4	45	"O" RING	12854	1
2	SCREW- Socket hd. 10-24 x 1	82246	4	46	"O" RING	12095	1
3	SPARK PLUG (CJ-3)	70210-S	1	47	"O" RING	12853	2
	SPARK PLUG (UCJ-4G) accessory	68713-S	1	48	CRANKCASE (see Note 1)	A-93957	1
4	GROMMET- Spark plug	12191	1		Includes:		
5	CYLINDER	A-70489-B	1	49	STUD- Guide bar (see Note 2)	93918	2
	Includes:			50	BEARING- Roller	70409-A	1
6	VALVE- Compression	A-12712	1	51	GEAR WORM	12071	1
7	RING- Retaining	75120	1	52	FITTING	94619	1
8	DEFLECTOR- Air	12794	1	53	SEAL	12306	1
9	SCREW- Hex sems 8-32 x 5/8	88043	4	54	CONNECTOR- Elbow 90°	31734	1
10	CONNECTOR- Carburetor	12623-B	1	55	FITTING- Straight	31733-1	1
11	SPRING- Garter	12858	1	56	LINE- Flexible 4"	93157-16	2
12	MANIFOLD- Intake	12622-B	1	57	SHIELD- Heat	12777	1
13	GASKET- Intake manifold	12648-A	1	58	SCREW- Pan hd. 8-32 x 3/8	82253	2
14	MODULE & CORE	12669-AS	1		KIT- Clutch	A-94157	1
15	TIE- Cable (Module leads)	12298	1		Includes:		
16	SCREW- Hex sems 8-32 x 1 1/4	88045	1	59	WASHER- Thrust	12668	1
17	PISTON & PIN	A-70572-A	1	60	RACE- Inner	12882	1
	Includes:			61	DRUM- & HUB (7 Spline)	A-93865-A	1
18	PISTON RING	69193-A	2	62	SPIDER- Clutch	93811	1
19	ROD- Connecting	A-70274	1	63	SHOE- Clutch	A-93815	3
	Includes:			64	COVER- Clutch	93628	1
20	SCREW- Soc hd 10-32 x 5/8	80345	2	65	SCREW- Hex sems 8-32 x 3.75	88041	3
21	KEY- Woodruff	75078	1	66	SPRING- Clutch	93814-A	3
22	CRANKSHAFT	70236-2	1	67	WASHER- Thrust	93650	1
23	BEARING- Cage (14 roller)	A-70610	1	68	WASHER- Thrust	12667	1
24	BEARING- Ball	70844	1	69	BEARING- Washer	64124	1
25	PLATE- Back	A-70896	1	70	WASHER- Thrust (opt.)	12907	1
	Includes:			71	RETAINER- Nut	12689-A	4
26	SEAL	53444	1	72	NUT- Hex 10-24	81208	4
27	"O"- RING	67559	1	73	RACE- Inner (opt.)	12666	1
28	RETAINER- Lead	12859	1	74	BEARING- Needle (opt.)	65393	1
29	SCREW- Torx	70851	2	75	SPROCKET- Rim 7T .404 (7 spline)	63285	1
30	WASHER- Lock	63905	2		SPROCKET- Rim 8T .404		
31	RING- Retaining	70843	1		(6 spline) (opt.)	65960	1
32	CLIP- Wire (Switch lead retainer)	12896	1	76	DRUM & HUB (7 spline) (opt.)	A-68727-A	1
33	SCREW- Hex sems 10-24 x 3/4	88051	1		DRUM & HUB (6 spline) (opt.)	A-65991	1
34	ROTOR & STUD	A-93133	1		CLUTCH (opt.)	A-93287-A	1
	Includes:				Includes:		
35	STUD- Starter pawl	93079	2	77	SHOE- Clutch	93281-1A	6
36	SPRING- Starter pawl	65375	2	78	SPIDER- Clutch	93288-1	1
37	PAWL- Starter	58756	2	79	SPRING- Clutch	93289	2
38	WASHER- Lock	70901	2	80	COVER- Clutch (opt.)	A-24921-A	1
39	NUT- Hex flange 3/8-24	81236	1		Includes:		
40	SCREW- Hex sems 10-24 x 5/8	88050	5	81	WASHER- Belleville #10	12021	2
41	SCREW- Hex sems 8-32 x 3/8	88041	2	82	SCREW- Hex 10-32 x 1/2 (opt.)	80361-2	2
42	PUMP- Automatic oil	A-12723	1		SPROCKET & DRUM- Spur (Opt.)		
	Includes:				(8T, 3/8 pitch)	A-12819	1
43	PIN- Camguide	12108	1		NOTE 1: Prior to Lot #8074 use crankcase A-70470.		
44	BRACKET- Oil pump retainer	12076	1		NOTE 2: Prior to Lot #8074 use stud 58334-A.		

**750 & 750E
AUTOMATIC SAWS**

FIGURE 3



NO.	DESCRIPTION	PART NO.	QTY.
1	SNUBBER- Rear	A-12803-A	1
2	SCREW- Hex sems 8-32 x 3/8	88041	5
3	TRANSFORMER Includes:	A-12299-AS	1
4	SCREW	95270	2
5	GROMMET (Shown in Fig. 3)	12191	1
5	SWITCH- Grounding Includes:	A-57650-A	1
6	NUT- Hex	72084-A1	1
7	PLATE- Indicating (Run-Stop)	12793-A	1
8	SHIELD- Cylinder	12606-2B	1
9	NUT- Hex 10-24	81208	2
10	SCREW- Hex sems 10-24 x 3/4	88051	3
11	RETAINER- Nut	12672	2
12	RECEPTACLE- Transformer	A-70088	1
13	LEAD- Module	A-12719-B	1
14	CONTACT- Transformer	12788	2
15	CONTACT- Ground	70720	1
16	SCREW- Pan hd. plastite #6 x 3/8	82215	2
17	SCREW- Hex sems 10-24 x 5/8	88050	11
18	BRACE- Cylinder shield	12773	1
19	SPACER- W/ Stud	A-93055	1
20	HOUSING- Rewind starter Includes:	A-12812	1
21	BUSHING- Starter rope	67177	1
22	GRIP- Starter rope Includes:	A-69962-B	1
23	INSERT- Rope retaining	70018-A	1
24	SCREW- Pan hd. 10-24 x 1/2	96620	1
25	SCREEN- Starter housing	12625-A	1
26	WASHER- Retaining	12789	1
27	ROPE- Starter (48" long) #5 Includes:	A-93875	1
28	WASHER- Flat (Nylon)	93862	1

NO.	DESCRIPTION	PART NO.	QTY.
29	PULLEY- Starter Includes:	A-70198-A	1
30	BUSHING- Starter post WASHER- Flat (Nylon) see index #28	94321	2
31	WASHER	93862	1
32	RING- Retaining	94320	2
33	SPRING- Rewind Includes:	12637	1
34	SLEEVE- Pin	A-94885	1
35	SCREW- Pan hd. 8-32 x 1/2	94884	1
36	LOCK- Rewind spring	80560	3
37	COVER- Starter Includes:	12957	1
38	SHIELD- Rewind spring (Inner)	A-93917	1
39	PLATE- Guide bar (inner)	93276	2
40	PLATE- Guide bar (Outer)	70399	1
41	PIN- Guide bar adjustment	70400	1
42	COVER- Gear	93039	1
43	SCREW- Pan hd. 6-32 x 3/8	12134	1
44	SCREW- Guide bar adjustment	82251	2
45	ADJUSTOR- Guide bar	A-12746	1
46	BUSHING	A-70694	1
47	COVER- Drivecase Includes:	70693	1
48	GUARD- Chain Includes:	A-93749	1
49	WASHER- Belleville	A-70159	1
50	NUT- Hex 8-32	12940	2
51	DECAL	81009	2
52	NUT- Hex flange 3/8-16	70241	2
53	SHIELD- Muffler	81089-2	2
54	SCREW- Soc. hd. cap 10-24 x 3/4	12969-3	1
55	SCREW- Soc. hd. cap 1/4 x 3/4	82283	2
56	MUFFLER	82316	2
57	ARRESTOR- Spark	A-12739-1B	1
58	CAP- Muffler exhaust	A-93899-A	1
59	SCREW- Hex sems 10-24 x 1/2	12824-1	1
60	PLATE- Bumper (Long spike)	88049	4
61	NUT- Hex 10-24	94632	1
62	WASHER- Flat	81208	4
		95479-A	2

**750 & 750E
AUTOMATIC SAWS**

TOOLS

NO.	DESCRIPTION	PART NO.
	BODY ASSEMBLY	23136-2A
	CD TEST LAMP	A-24994
	COLLAR & PLUNGER	A-24876
	GAUGE- Feller (015 thick)	22486
	PLIERS- Retaining ring	22828
	PLUG- Seal installation (crankcase)	24966
	PLUG- Seal removal (crankcase)	A-24986
	SLEEVE- Seal assembly (crankcase)	23759
	SLEEVE- Crankshaft brg	17082-1
	PLUG- Seal removal (backplate)	17027
	PLUG- Bearing & Seal installation & removal	17025
	JACKSCREW ASSEMBLY	A-23137
	REAMER- Valve seat	A-24884
	TOOL & PLUNGER- Piston pin	A-24871
	WRENCH- Combination	A-24284-A
	WRENCH- Combination	A-23937-B
	WRENCH- Socket (750 only)	68651
	SCREWDRIVER	24541
	KEY- Hex	94624
	ANVIL- Ball bearing	17088-1
	ANVIL	17091
	PULLER- Rotor	A-17106-B
	Includes	
	SCREW- Hex hd	80627
	STUD	17108
	RING	93972
	WRENCH- Spanner	A-93791
	Includes	
	PIN	23717-A
	SHIM- 0125" Thick	24306
	IGNITION TEST SPARK PLUG	JA-31316-4
	CARBURETOR REPAIR TOOL KIT	17789

ACCESSORIES

NO.	DESCRIPTION	PART NO.
	ROPE- Starting #5, 250' reel	57084-1
	TUBING- Rubber (10 ft)	93112-99
	TUBING- Rubber (10 ft)	93157-99
	COMPOUND- DC4 (8 oz tube)	22636-B
	SAFE-T•TIP (STD)	DA-70790-A
	Includes	
	SCREW- #1/4-20 x 5/8	82335
	RIGHT HAND GUARD KIT	A-12267-B
	Includes	
	SCREW- Hex socket 10-24 x 3/8	82275
	WASHER- Flat #10	84003
	NUT- Locking 10-24	81208

PAINT

SPRAY CAN- Black	22772
SPRAY CAN- Red	23475

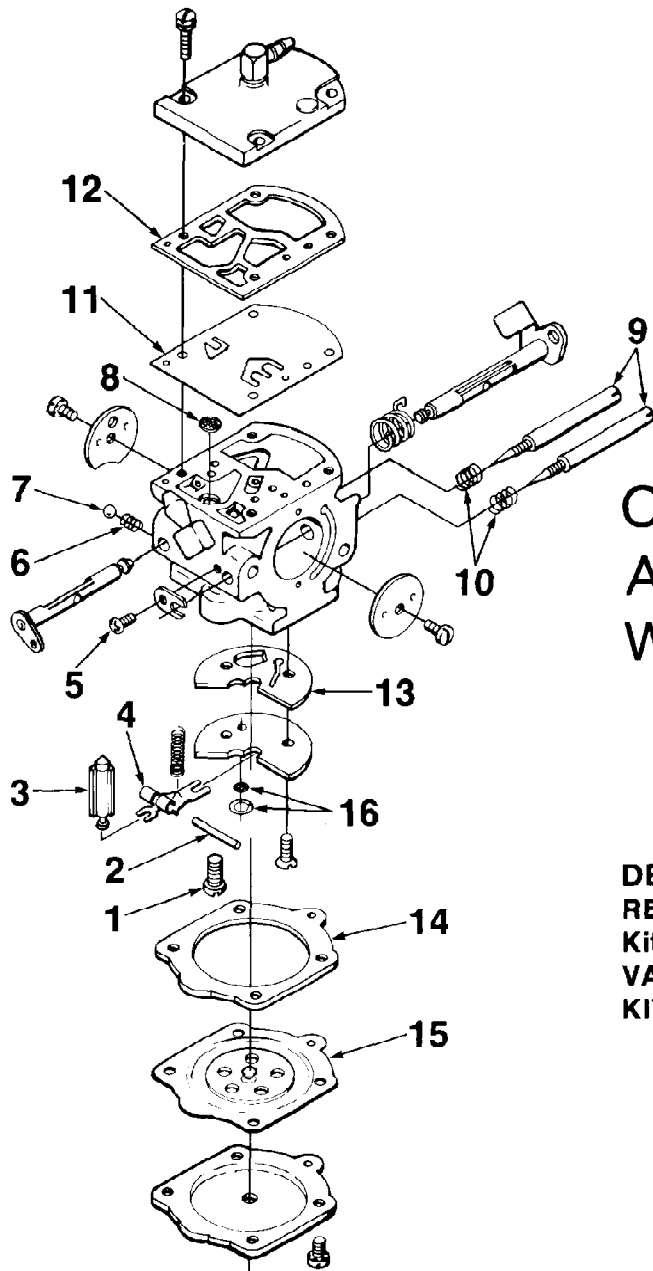
750E ONLY

NO.	DESCRIPTION	PART NO.	QTY.
	KIT- Chain brake	A-93011-D	1
	Includes		
	PIN- Dowel	59751	1
	HUB & DRUM	A-93865-2A	1
	COVER- Gear	12134	1
	SCREW- Guide bar adjusting	A-12746	1
	SLEEVE- Headed	70313	1
	BUSHING	70693	1
	SCREW- Gear & Adjusting	A-70694	1
	BRAKE- Spring chain	70873	1
	COVER- Drivecase	70876-2	1
	BAND- Brake	70879	1
	LOCKING- Lever	70884	1
	STUD- Spring mounting	70900	1
	LEVER- Brake	A-97223	1
	Includes		
	RING- Retaining	70925	1
	BEARING- Roller	94915	1
	DECAL	96990	1
	SCREW- 1/4-20 x 1 1/4	80912	1
	SCREW- Mach pan hd 6-32 x 3/8	82251	2
	PIN- Guide bar adjusting	93039	1
	SPRING- Torsion	93086	1
	SLEEVE	93260	1
	WASHER- Flat	93282	3
	SLEEVE- Lever	93296	1
	SCREW- Shoulder	93773	1

750 ONLY

NO.	DESCRIPTION	PART NO.	QTY.
	KIT- Chain brake	A-93012-D	1
	Includes		
	PIN- Dowel	59751	1
	COVER- Gear	12134	1
	SCREW- Guide bar adjusting	A-12746	1
	SLEEVE- Headed	70313	1
	BUSHING	70693	1
	ADJUSTER- Guide bar	A-70694	1
	SPRING- Chain brake	70873	1
	COVER- Drivecase	70876-2	1
	BAND- Brake	70879	1
	LEVER- Lock	70884	1
	STUD- Spring-mounting	70900	1
	LEVER- Brake	A-97223	1
	Includes		
	BEARING- Roller	94915	1
	RING- Retaining	70925	1
	DECAL	96990	1
	SCREW- 1/4-20 x 1 1/4	80912	1
	SCREW- 6-32 x 3/8	82251	1
	PIN- Guide bar adjusting	93039	1
	SPRING- Torsion	93086	1
	SLEEVE	93260	1
	WASHER	93282	3
	LEVER- Sleeve	93296	1
	SCREW- Shoulder	93773	1
	HANDLE BAR	A-93008	1
	HUB & DRUM	A-93865-2A	1

ALWAYS FURNISH MODEL AND SERIAL NUMBER WHEN ORDERING PARTS.



**CARBURETOR
A-94108
WB-9**

DESCRIPTION	PART NO.
REPAIR KIT (1-15)	94131
Kit- Gasket/Diaphragm (11-15)	95241
VALVE- Inlet Needle (3)	64229
KIT- Valve repair (16)	95240

HOMELITE DIVISION OF TEXTRON INC.
 P.O. BOX 7047
 14401 CAROWINDS BOULEVARD
 CHARLOTTE, N.C. 28217

2587RY

HOMELITE TEXTRON
 Homelite Division of Textron Inc.