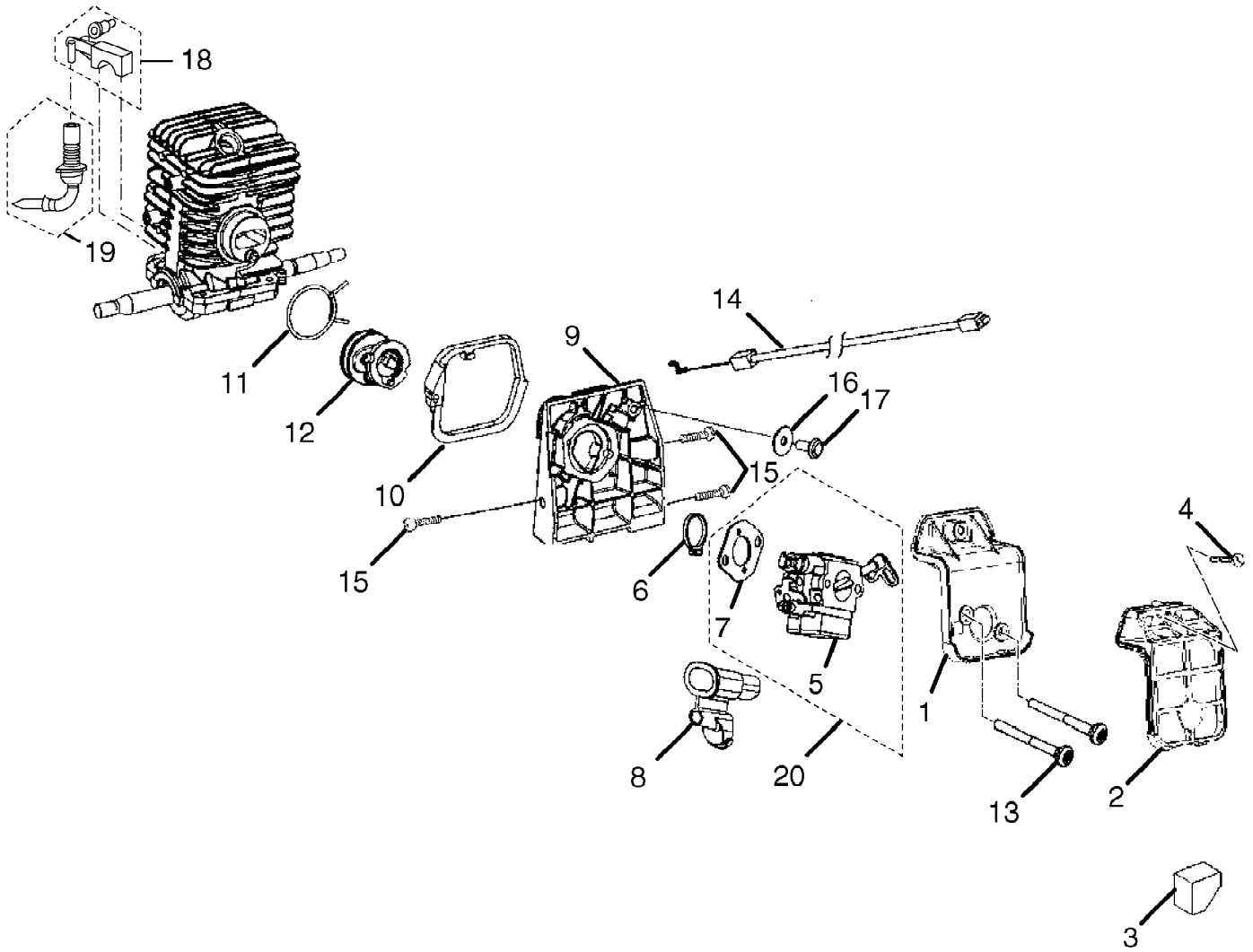


No
Diagram
Available

Parts List
Only

Ref #	Part Number	Qty	S/P/F	Description
PS06132	PS06132	1	/P	16in Guide Bar Part Number .325 PITCH .05 GAUGE
PS06131	PS06131	1	/P	18in Guide Bar Part Number .325 PITCH .05 GAUGE
PS06301	PS06301	1	S/P	20in Guide Bar Part Number .325 PITCH .05 GAUGE
PS06136	PS06136	1	S/P	16in CHAIN PART NUMBER .325 PITCH .05 GAUGE
PS06135	PS06135	1	S/P	18in CHAIN PART NUMBER .325 PITCH .05 GAUGE
PS06134	PS06134	1	S	20in CHAIN PART NUMBER .325 PITCH .05 GAUGE
PS24823	PS24823	1	/P	SEALANT SILICON
0745499	0745499	1	/P	RUBBER TUBING
09207	09207	1	/P	WRENCH - COMBINATION
A24824	A24824	1	S	WRENCH - COMBINATION (20 in BAR)
18416	18416	1		DIGITAL TACHOMETER
18453	18453	1	/P	GREASE, MULTI-PURPOSE
94194	94194	1	/P	COMPRESSION TESTER
984900001	984900001	1		CARRY CASE
984902001	984902001	1		BUMPER SPIKE KIT
984901001	984901001	1	S	ADJUSTING PIN KIT



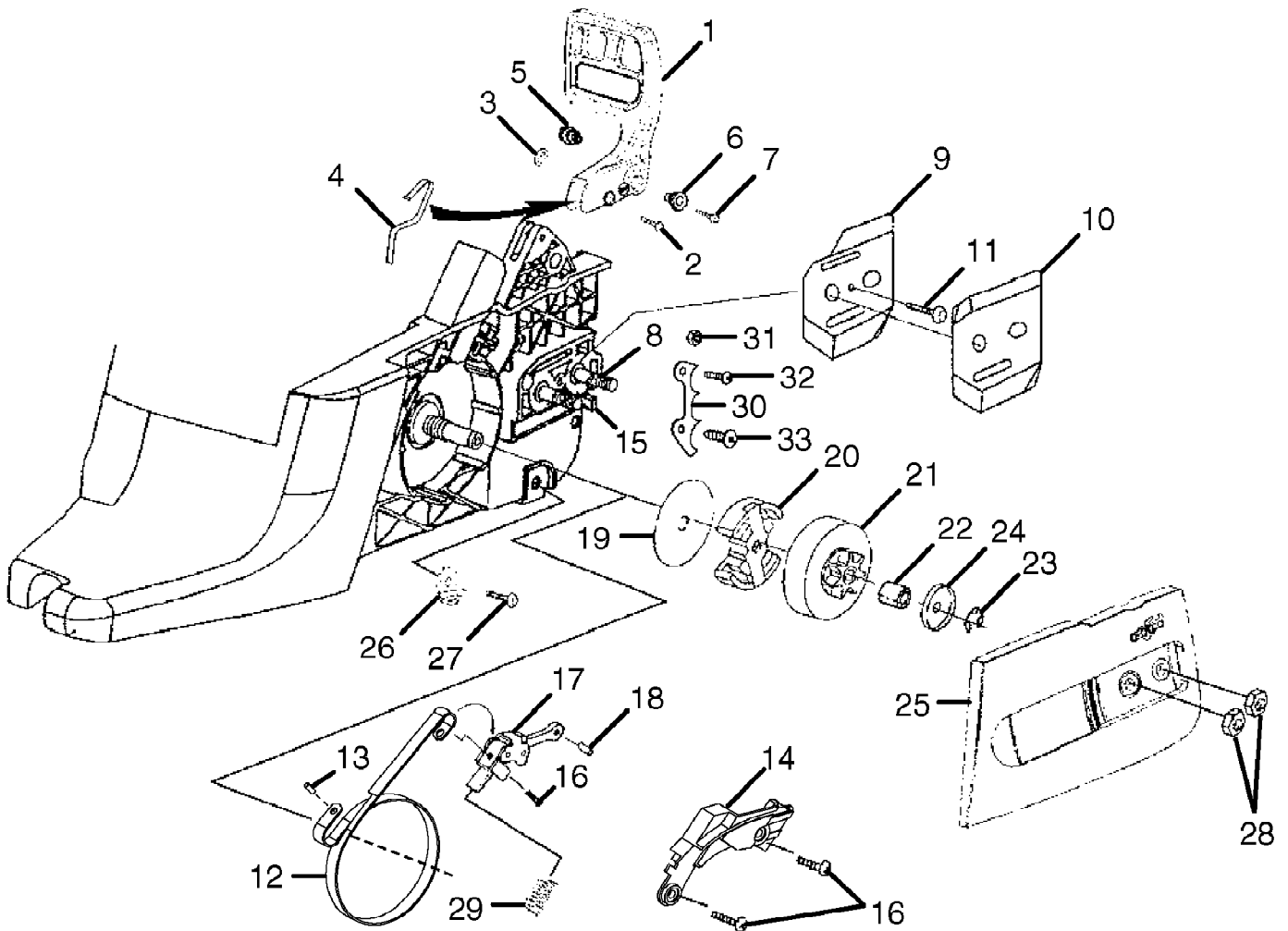
ITEM NO.	TORQUE SPECS.		REQUIRED LOCTITE
	in./lbs.	nm	
4	50-60	5.6-6.7	
13	30-40	3.4-4.5	
15	15-20	1.7-2.3	
17	15-20	1.7-2.3	

38cc 16" Chain Saw UT-74123-D
Carburetor - Air Filter

Page 4 of 16

Ref #	Part Number	Qty	S/P/F	Description
1	PA01284	1	/P	AIR FILTER BASE
2	PS02798	1	/P	AIR FILTER COVER
3	PS05070	1	/P	PRE FILTER (IN ENGINE HOUSING)
4	82617	1	/P	SCREW (8-16 x 5/8 in.)
5	985208001	1		CARBURETOR
6	PS04375	1	/P	PLATE, CARBURETOR
7	PS05105	1	/P	GASKET, CARBURETOR
8	PS04371	1	/P	GROMMET, CARBURETOR
9	PA01057	1		ADAPTOR, CARBURETOR
10	PS04374	1	/P	SEAL-CARB. ADAPTOR
11	PS04309	1	/P	CLAMP
12	PS02794	1	/P	INTAKE BOOT
13	PS04446	2	/P	SCREW (10-32 x 1.75 mm)
14	PS04377	1	S/P	THROTTLE CABLE
15	82563	3	/P	SCREW (TORX)
16	12789	1	/P	WASHER
17	82623	1	S/P	SCREW
18	PA01396	1	/P	OIL PUMP ASSEMBLY
19	PA01037	1	/P	OIL INTAKE W/FILTER
20	984888001	1	S	CARBURETOR ASSEMBLY

38cc 16" Chain Saw UT-74123-D
Clutch - Chain Brake - Drive Case cover



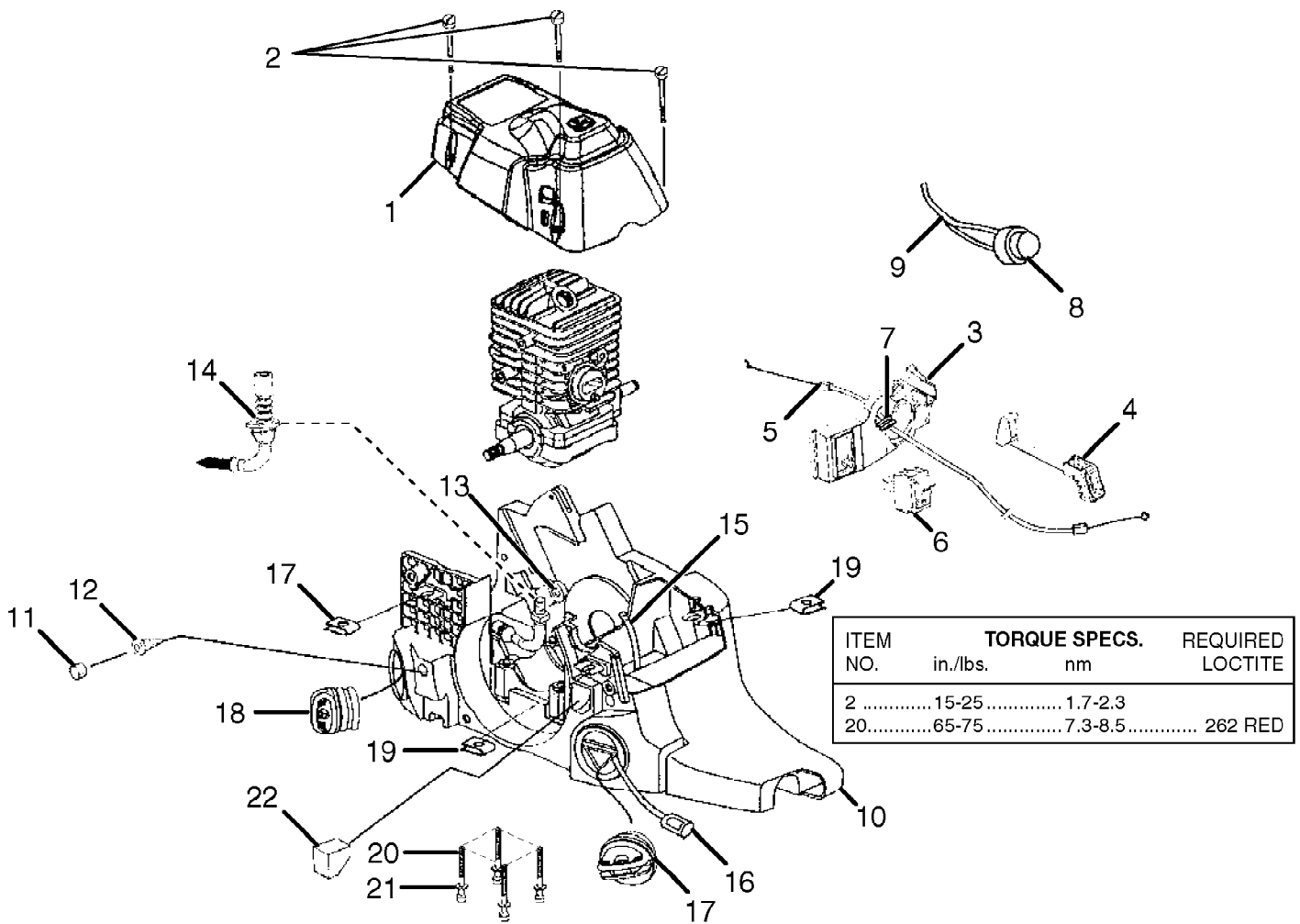
ITEM NO.	TORQUE SPECS.		REQUIRED LOCTITE
	in./lbs.	nm	
7	25-35	2.8-3.9	242 BLUE
11	8-18	0.9-2.0	
15	10-20	1.1-2.3	
16	20-30	2.3-3.4	
20	130-180	14.7-20.3	
27	30-50	3.4-5.6	
28	HAND TIGHT		

38cc 16" Chain Saw UT-74123-D
Clutch - Chain Brake - Drive Case cover

Page 6 of 16

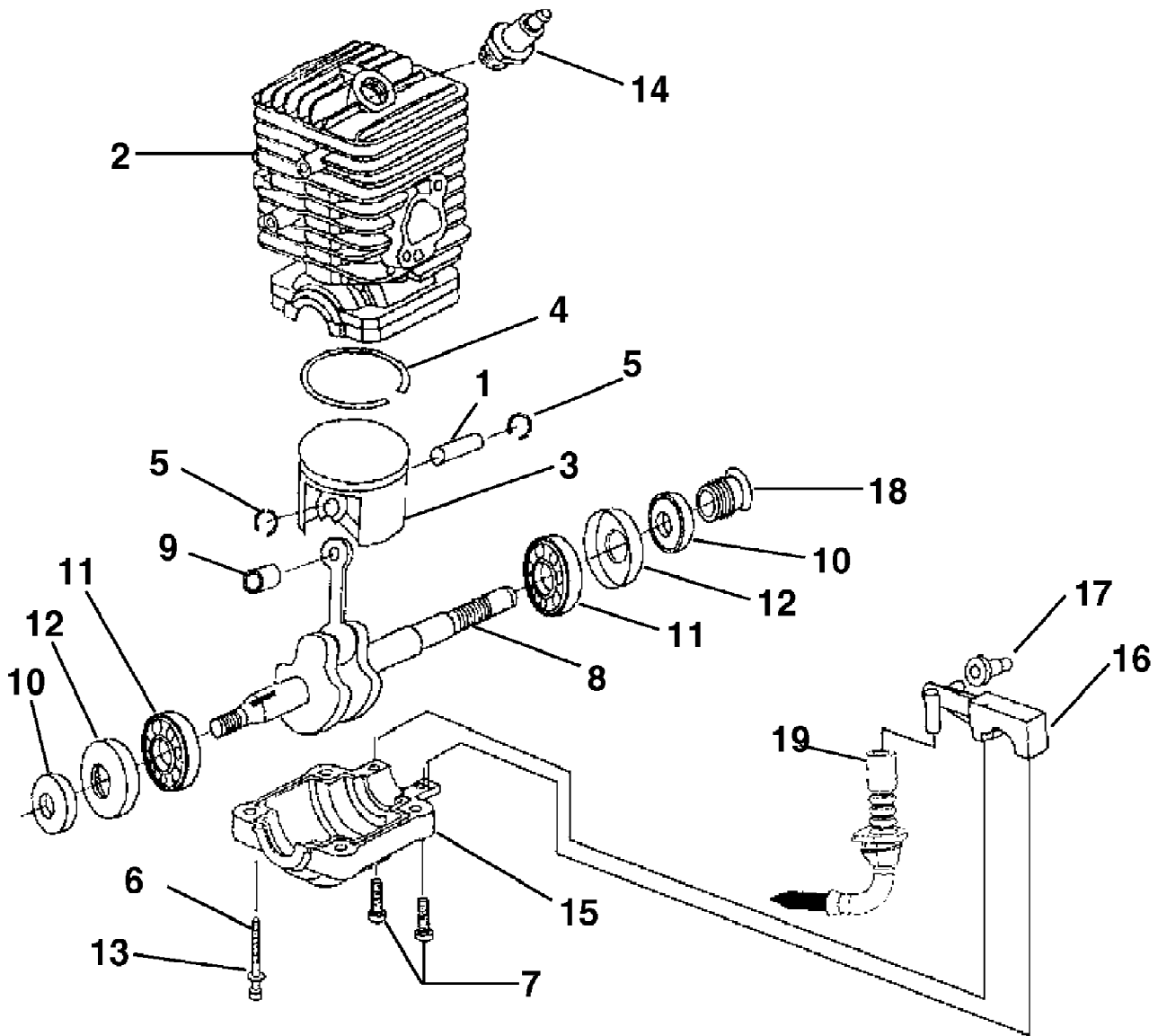
Ref #	Part Number	Qty	S/P/F	Description
1	PS04726	1	S	HAND GUARD
2	07580	1	S/P	HAND GUARD ACTUATING PIN
3	69599	1	/P	RETAINING RING
4	PS04955	1	S/P	SPRING, HANDGUARD
5	07393	1	S/P	PIVOT, LH
6	07392	1	S/P	PIVOT, RH
7	82624	1	/P	SCREW (8-32 x 5/8 in.)
8	N/A	2		GUIDE BAR BOLT
9	07404A	1	/P	PLATE, GUIDE BAR
10	07405A	1	/P	PLATE, GUIDE BAR
11	82513	1	/P	SCREW (6-19 x 1/2 in.)
12	985030001	1	/P	BRAKE BAND
13	06672	1	S/P	PIN, ROLL
14	985021001	1	/P	BRAKE BAND COVER
15	984901001	1	S	ADJUSTING PIN KIT
16	82623	3	S/P	SCREW (8-16 x .320)
17	984897001	1	/P	CHAIN BRAKE LINK
18	95395A	1	/P	PIN, ROLL
19	04940	1	/P	THRUST WASHER
20	984894001	1	S	CLUTCH & HARDWARE
21	984640001	1	/P	SPROKET DRUM (.325 PITCH)
22	PS04669	1	/P	BEARING, NEEDLE
23	08981	1	/P	RING, RETAINING
24	04939A	1	/P	WASHER
25	PA01106	1	S	DRIVE CASE COVER
26	PS02928	1	S/P	CHAIN CATCHER
27	82541	1	/P	SCREW (10-24 x 1/2 in.)
28	81196	2	S/P	NUT, HEX
29	984679001	1	/P	SPRING, COMPRESSION
30	PS06077	1	/P	BUMPER SPIKE
31	81208	1	/P	LOCK NUT, HEX (10-24)
32	82311	1	/P	SCREW
33	82632	1	/P	SCREW, TRUSS HD.

38cc 16" Chain Saw UT-74123-D
 Engine Housing - Fuel Tank - Oil Tank



Ref #	Part Number	Qty	S/P/F	Description
1	984363001	1	S/P	CYLINDER COVER
2	07597	3	S/P	SCREW (10-16 X 1.5 PAN HD.)
3	PS06119	1	/P	CONTROL PANEL
4	PA01644	1	/P	ROD, CHOKE
5	PS04377	1	S/P	THROTTLE CABLE
6	PS06163	1	/P	SWITCH, ROCKER
7	07587	1	/P	GROMMET - SPLIT
8	PS06164	1	S/P	PRIMER BULB
9	07454	1		RUBBER TUBING (5-1/2 in.)
10	985028001	1	S	CHASSIS ASSEMBLY (45CC) Includes items 11-18
11	N/A	2		ELEMENT, FILTER
12	N/A	2		DUCK BILL VALVE
13	N/A	1		OIL OUTLET GROMMET
14	PA01037	1	/P	OIL INTAKE TUBE W/FILTER
15	07454	1		RUBBER TUBING (8-1/2 in.)
16	PS03380	1	/P	FUEL FILTER
17	N/A	1		FUEL CAP W/RETAINER
18	N/A	1		OIL CAP W/RETAINER
	N/A	2		GUIDE BAR BOLT (NOT SHOWN)
19	07598	3	/P	SPEED NUT
20	82527	4	S/P	SCREW (10-24 x 2 in.)
21	84008	4	S/P	WASHER
22	PS05070	1	/P	PRE FILTER
	984287001	1		SOUND LEVEL DECAL
	06976	1		CE DECAL
	983840001	1		ZIP START DECAL DECALS: 16 in. (38cc)
	PS06324	1	S/P	SAFETY
	PS00340	1	S	CHAIN BRAKE
	984346001	1		DRIVECASE COVER
	984343001	1		STARTER HOUSING DECALS: 18 in. (45cc)
	PS06324	1	S/P	SAFETY
	PS00340	1	S	CHAIN BRAKE
	984347001	1		DRIVECASE COVER
	984344001	1		STARTER HOUSING DECALS: 20 in. (45cc)
	PS06324	1	S/P	SAFETY
	PS00340	1	S	CHAIN BRAKE
	984347001	1		DRIVECASE COVER
	984345001	1		STARTER HOUSING

38cc 16" Chain Saw UT-74123-D
 Engine Internal - Oil Pump

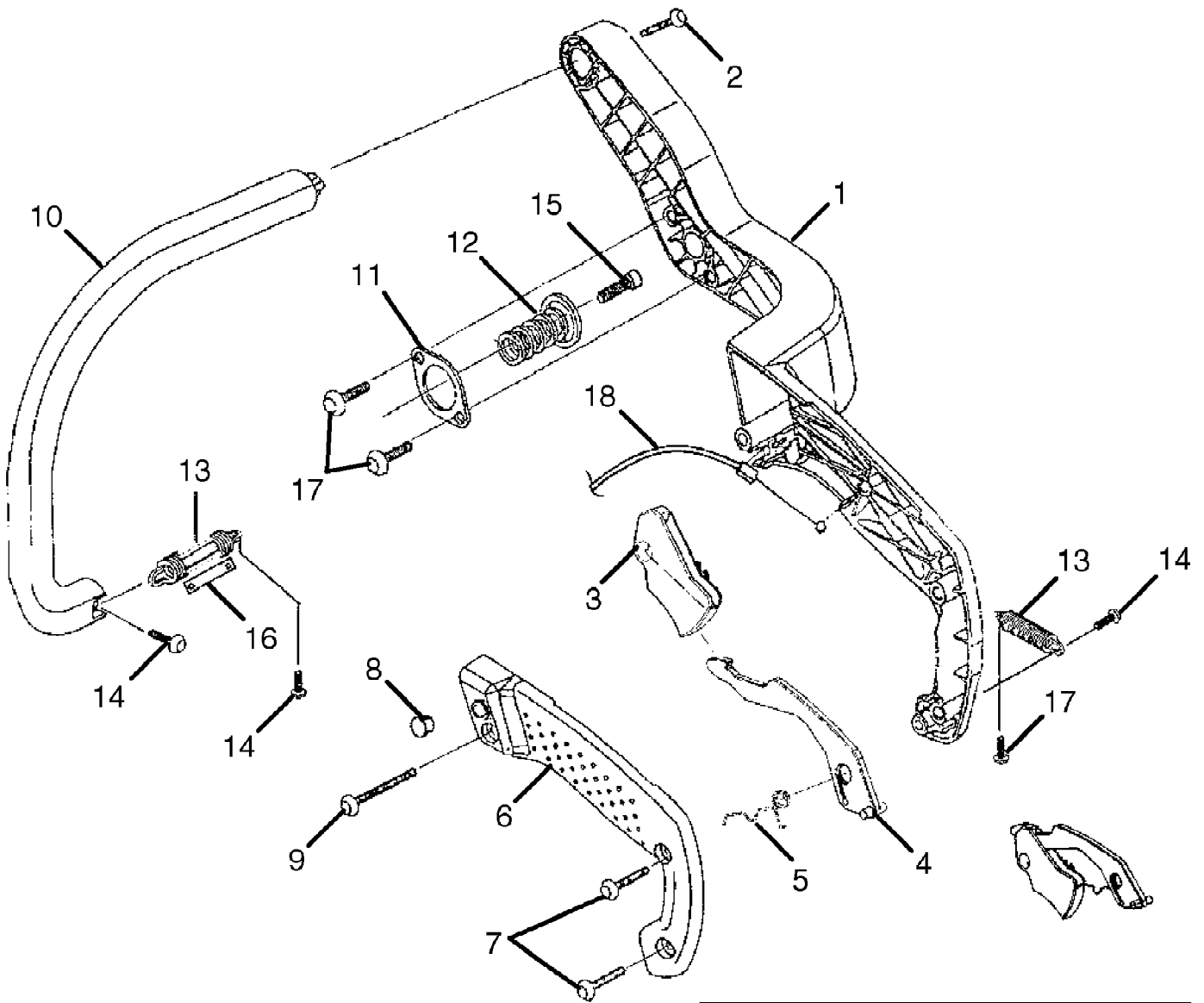


ITEM NO.	TORQUE SPECS.		REQUIRED LOCTITE
	in./lbs.	nm	
6	65-75	7.3-8.5	262 RED
7	15-20	1.7-2.3	
14	120-180	13.6-20.3	

38cc 16" Chain Saw UT-74123-D
Engine Internal - Oil Pump

Page 10 of 16

Ref #	Part Number	Qty	S/P/F	Description
1	04923	1	/P	PISTON PIN
2	PS04368	1	/P	CYLINDER MACH/PLATED
3	A09135	1	/P	45CC PISTON (MACH)
4	09082	1	/P	PISTON RING
5	64813	2	/P	RETAINING RING
6	82527	4	S/P	SCREW TORX PLUS CAP-SOCKET HD
7	PS04989	2	/P	SCREW, (8/32 X 5/8 in. PAN HD TORX)
8	PA00980	1		45CC SINTERED METAL CRANKSHAFT ASSY.
9	PS04921	1	/P	NEEDLE BEARING
10	04920	2	S/P	SHAFT SEAL
11	08838	2	/P	BALL BEARING
12	04919	2	S/P	BEARING CASE
13	84008	4	S/P	FLAT WASHER
14	PS06216	1	S/P	SPARK PLUG
15	09097	1	/P	CRANKCASE (45CC) CS
16	PA01396	1	/P	OIL PUMP ASSEMBLY
17	06841	1	/P	GROMMET, OIL OUTLET
18	06847	1	S/P	LEFT HAND WORM
19	PA01037	1	/P	OIL INTAKE TUBE W/FILTER



ITEM NO.	TORQUE SPECS.		REQUIRED LOCTITE
	in./lbs.	nm	
2	40-50	4.5-5.6	
7	30-40	3.4-4.5	
9	30-40	3.4-4.5	
14	30-40	3.4-4.5	
15	40-50	4.5-5.6	
17	30-40	3.4-4.5	

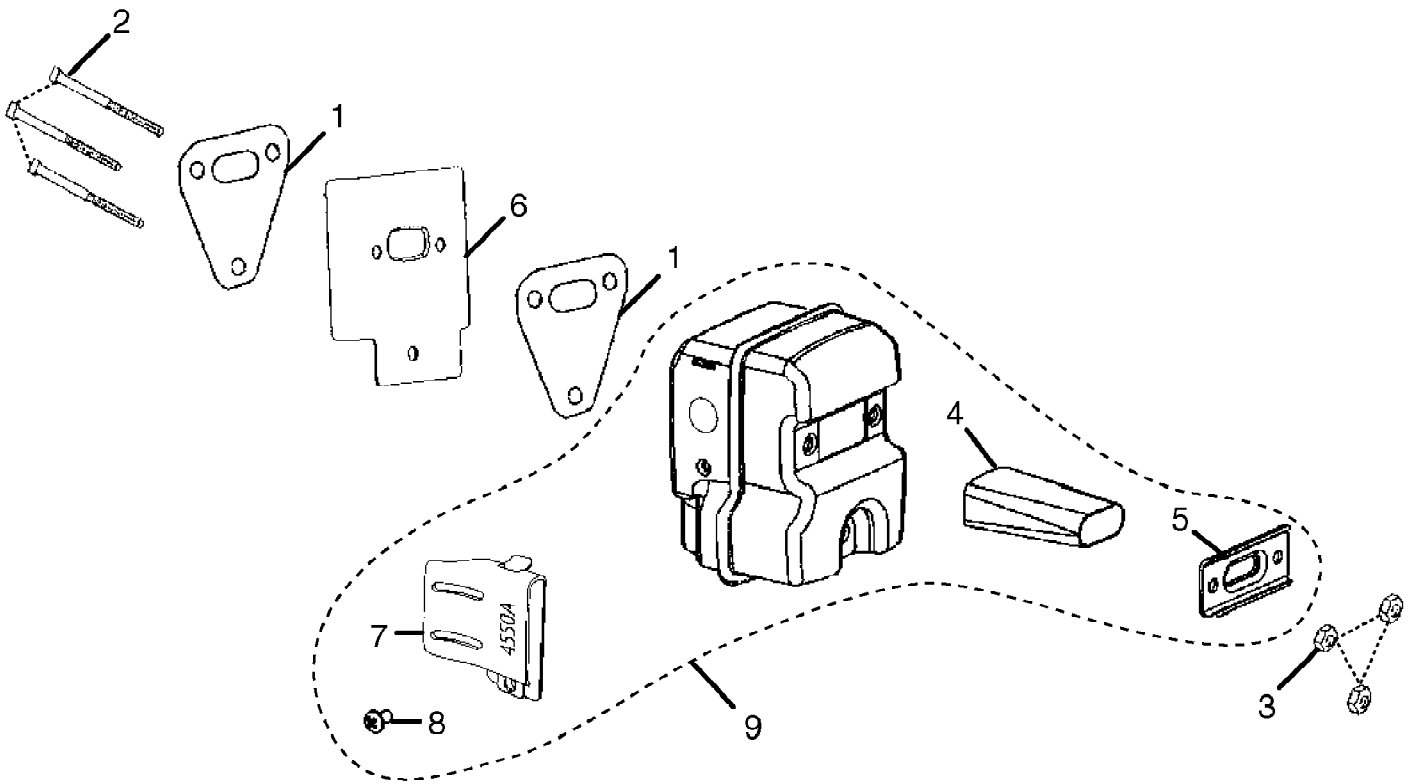
38cc 16" Chain Saw UT-74123-D
Handles

Page 12 of 16

Ref #	Part Number	Qty	S/P/F	Description
1	06870	1	S	REAR HANDLE
2	82615	1	/P	SCREW (12-14 x 1-1/2 in.)
3	PS06110	1	S/P	TRIGGER, THROTTLE
4	PS06111	1	/P	THROTTLE LOCK OUT
5	PS04914	1	/P	TORSION SPRING
6	06871	1	/P	HANDLE COVER
7	82563	2	/P	SCREW (10-14 x 3/4 in.)
8	PS04932	1	/P	PLUG-PLASTIC
9	82622	1	/P	SCREW (10-14 x 1-3/8 in.)
10	PS03985	1	S/P	FRONT HANDLE KIT
2	82615	1	/P	SCREW (12-14 x 1-1/2 in.)
11	07384	1		ISOLATOR PLATE
12	PS05199	1	/P	UPPER ISOLATION SPRING
13	PS05217	1	/P	SPRING - ISOLATOR
	PS05239	1		SHEET INSTRUCTIONS
14	82621	3	/P	SCREW (10-14 x 5/8 in.)
15	82597	1	S/P	SCREW (10-24 x 5/8 in.)
16	01812A	1	/P	SPRING RETAINER
17	82541	3	/P	SCREW (10-14 x 1/2 in.)
18	PS04377	1	S/P	THROTTLE CABLE

38cc 16" Chain Saw UT-74123-D
Muffler

Page 13 of 16



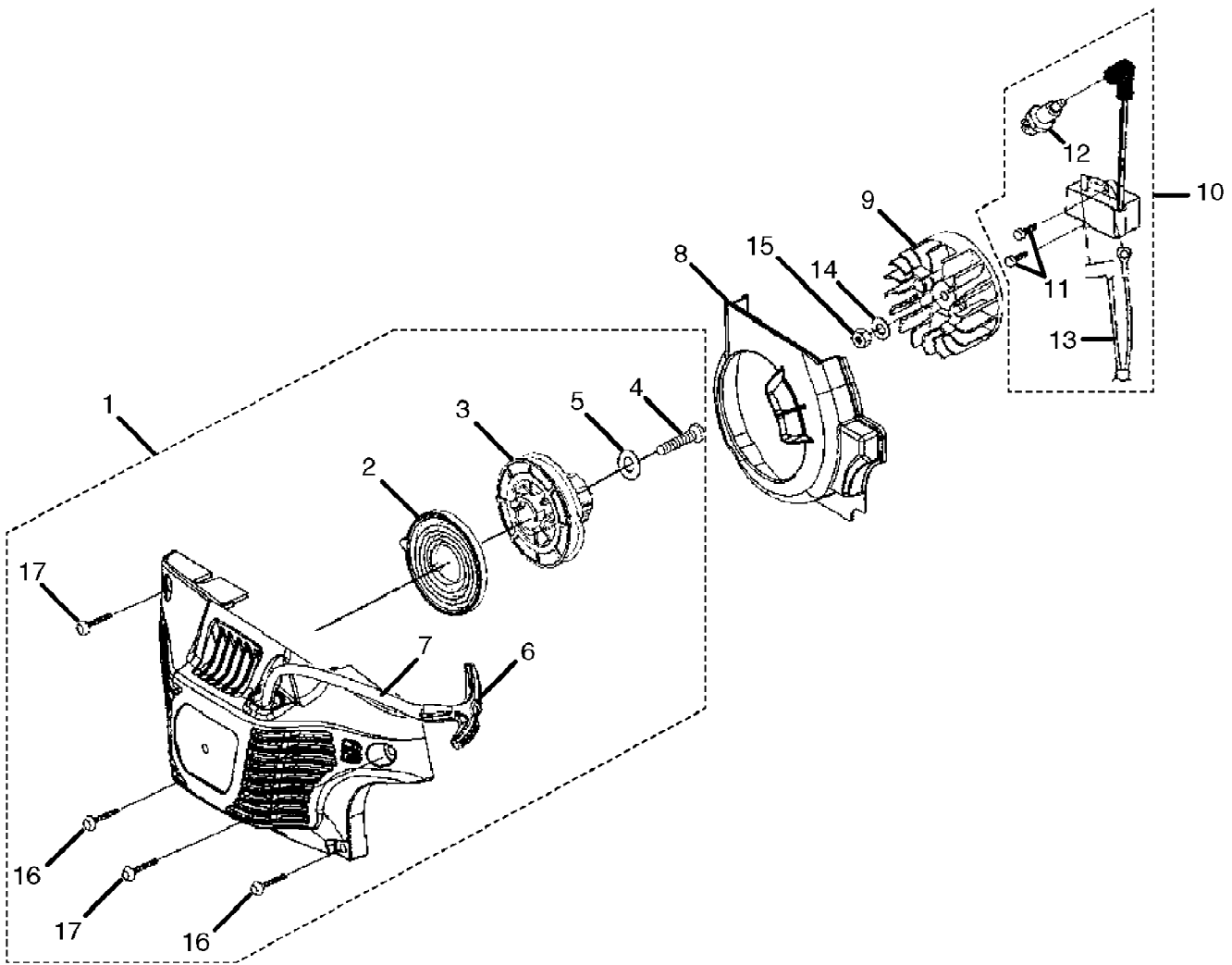
ITEM NO.	TORQUE SPECS.		REQUIRED LOCTITE
	in./lbs.	nm	
3	50-60	5.6-6.7	

38cc 16" Chain Saw UT-74123-D
Muffler

Page 14 of 16

Ref #	Part Number	Qty	S/P/F	Description
1	06839	2	S/P	MUFFLER GASKET
2	PS04525	3	S/P	SCREW-SQUARE HD.
3	81206	3	S/P	NUT-LOCKING HEX (10-32)
4	PS04350	1	/P	SCREEN, SPARK
5	PS04147	1	/P	SCREEN RETAINER
6	PS06121	1	/P	MUFFLER PLATE
7	PS06075	1	/P	DEFLECTOR, MUFFLER
8	95922	1	/P	SCREW (8-32 x .312 PAN HD.)
9	PA01635	1	/P	MUFFLER ASSEMBLY

38cc 16" Chain Saw UT-74123-D
 Starter - Ignition



ITEM NO.	TORQUE SPECS.		REQUIRED LOCTITE
	in./lbs.	nm	
4	30-40	3.4-4.5	
11	30-40	3.4-4.5	242 blue
12	120-180	13.6-20.3	
15	100-150	11.3-20.3	
16	30-40	3.4-4.5	
17	30-40	3.4-4.5	

38cc 16" Chain Saw UT-74123-D
Starter - Ignition

Page 16 of 16

Ref #	Part Number	Qty	S/P/F	Description
1	984687001	1	S/P	STARTER COVER ASSY., W/EYELET
2	PA01330	1	S/P	SPRING & CONTAINER
3	PS03882	1	/P	PULLEY, STARTER
4	82621	1	/P	SCREW (10-14 x 5/8 in.)
5	94062	1	/P	WASHER
6	PS06114	1	/P	GRIP, STARTER
7	9789901	1	/P	ROPE, STARTER (46 in.)
8	PS03984	1	/P	BAFFLE
9	PA00695	1	S	ROTOR W/STARTER PAWL
10	984883001	1		IGNITION KIT
11	82575	2	S/P	SCREW (8-32 x 5/8 in.)
12	PS06216	1	S/P	SPARK PLUG
13	PA01311	1	/P	IGNITION SWITCH HARNESS
14	PS84065	1	S/P	WASHER
15	81229A	1	/P	NUT
16	82620	2	/P	SCREW (10-14 x 7/8 in.)
17	82621	2	/P	SCREW (10-14 x 5/8 in.)