

No
Diagram
Available

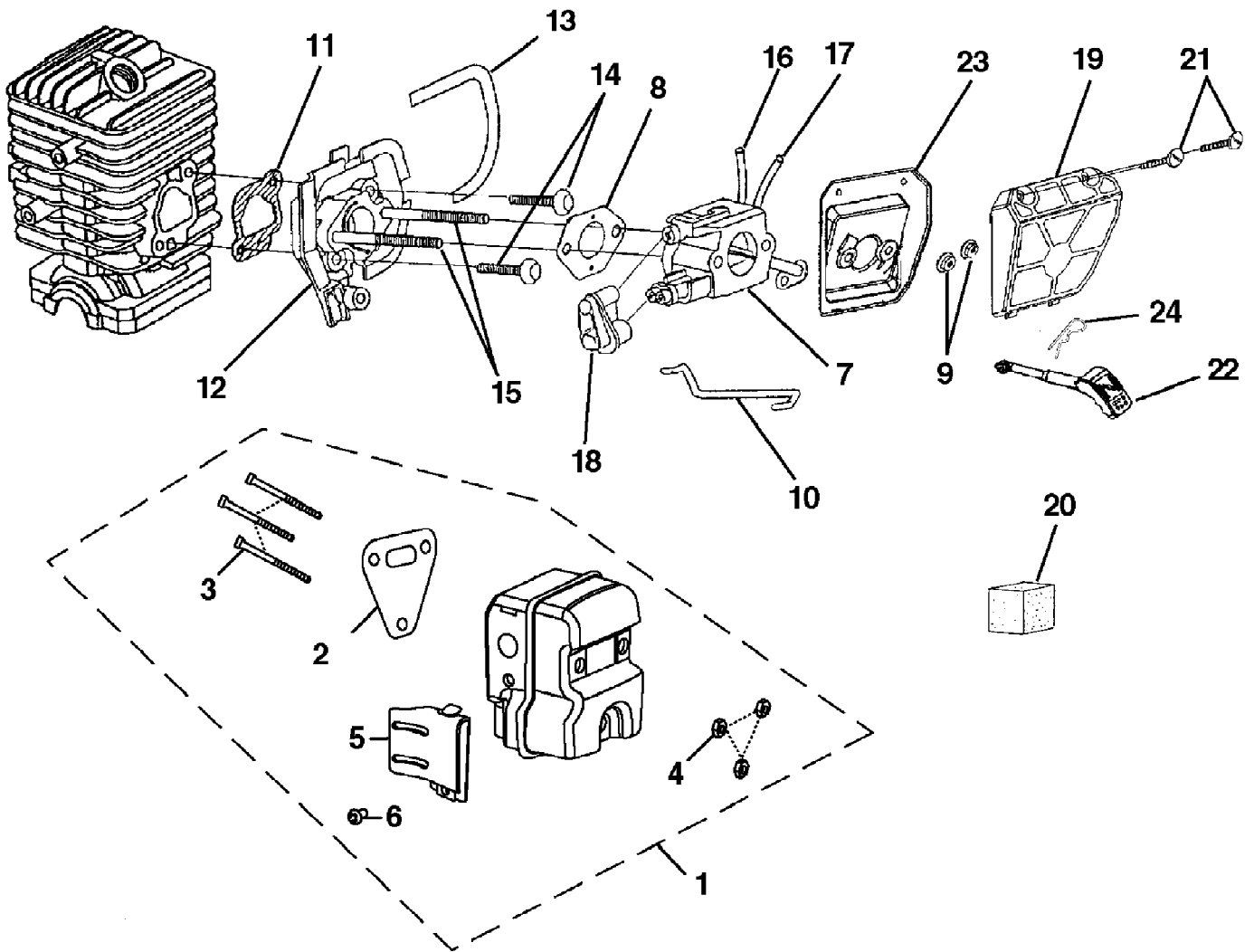
Parts List
Only

33 cc 14" Chain Saw UT-10901-B
Accessories

Page 2 of 14

Ref #	Part Number	Qty	S/P/F	Description
	PS06331	1	/P	Guide Bar (Power Tip) 14"
	984296005	1	/P	Chain
	PS24823	1	/P	Sealant Silicon
	0745499	1	/P	Rubber tubing (10')
	09207	1	/P	Wrench - Combination
	18416	1		Digital Tachometer
	18453	1	/P	Grease, Multi-purpose
	94194	1	/P	Compression Tester
	1856601	1	/P	Bit, Torx T27
	UP04562A	1		Carry Case
	UP06732A	1	/P	Bumper Spike Kit
	983000807	1		Operator's manual

33 cc 14" Chain Saw UT-10901-B
 Carburetor - Muffler - Air Filter



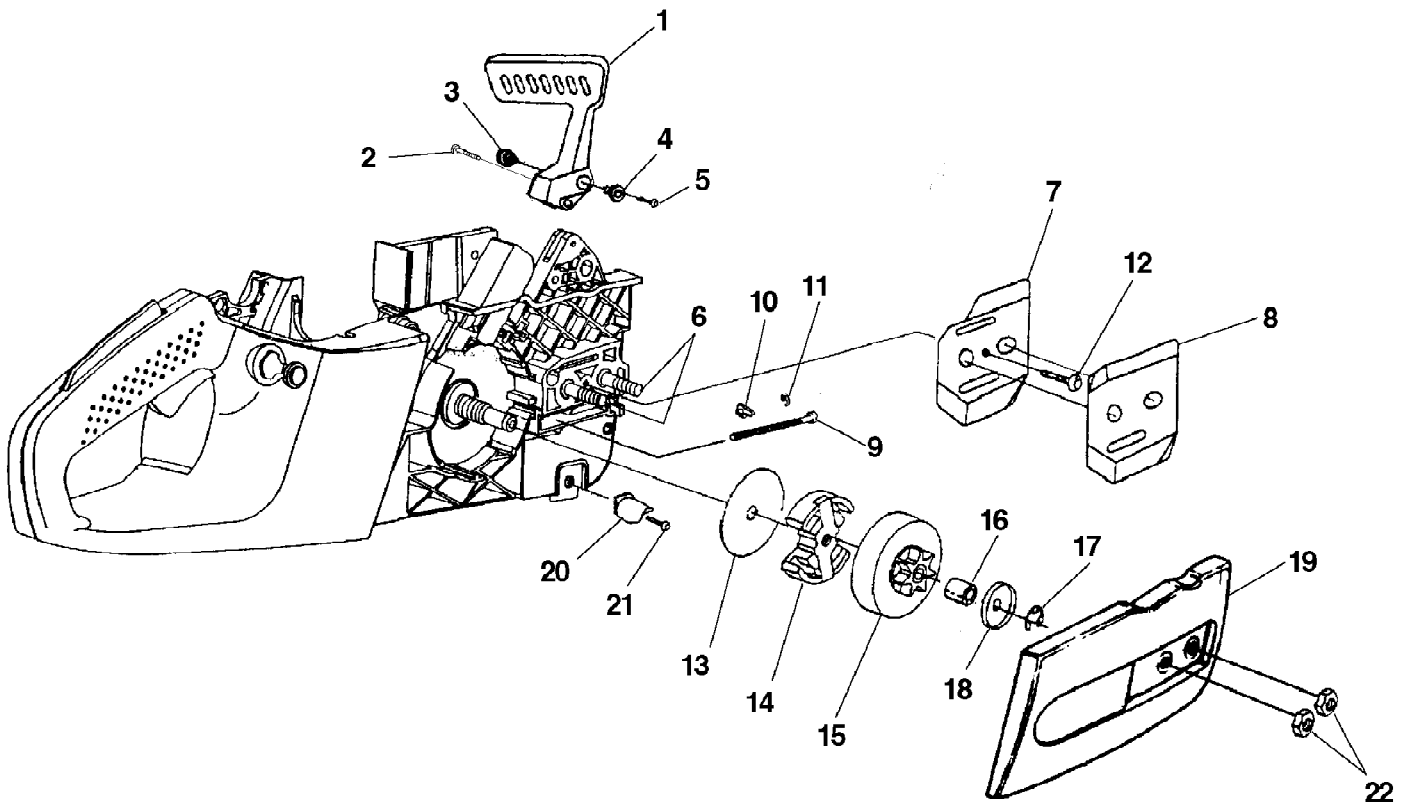
ITEM NO.	TORQUE SPECS.		REQUIRED LOCTITE
	In.-Lbs.	Nm	
4	50-60	5.6-6.7	
12	30-40	3.4-4.5	
17	45-55	5.0-6.2	Z62 Red
24	15-20	1.7-2.3	

33 cc 14" Chain Saw UT-10901-B
Carburetor - Muffler - Air Filter

Page 4 of 14

Ref #	Part Number	Qty	S/P/F	Description
1	300940004	1		Muffler Kit
2	900848001	1	/P	Muffler Gasket
3	PS04525	3	S/P	Screw-Square Hd.
4	81206	3	S/P	Nut-Locking Hex (10-32)
5	PS 06075	1		Deflector, Muffler
6	95922	1	/P	Screw (8-32 X .312 Pan Hd.)
7	300939004	1		Carburetor Assembly Includes item 7-9
8	98339	1	S/P	Carburetor Gasket
9	07589	2	/P	Flange Nut (10-24)
10	PS01591	1	S/P	Throttle Wire
11	06840A	1	/P	Gasket, Heat Dam
12	04916	1	/P	Carburetor Spacer
13	06873	1	/P	Seal, Heat Dam
14	983699011	2	S	Screw, Truss Hd. Taptite (10-24 x 7/8")
15	06852	2	/P	Screw, Carburetor
16	0745434	1	/P	Fuel Line (Tank to Carburetor 8 1/2")
17	0745408	1		Fuel Line (Carburetor to Purge Bulb 2")
18	04907	1	/P	Carburetor Grommet
	UP06753A	1	/P	Air Filter Kit Includes item 18-21
19	04938	1	/P	Air Filter Cover
20	PS05070	1	/P	Pre Filter (In engine housing)
21	82617	2	/P	Screw-Slotted Pan Hd. (8-16 x 5/8")
22	PS06280	1	/P	Rod, Choke
23	04937	1	/P	Air Filter Plate
24	08939	1	/P	Spring Clip (Choke Rod)

33 cc 14" Chain Saw UT-10901-B
Clutch- Handguard- Drive Cascover

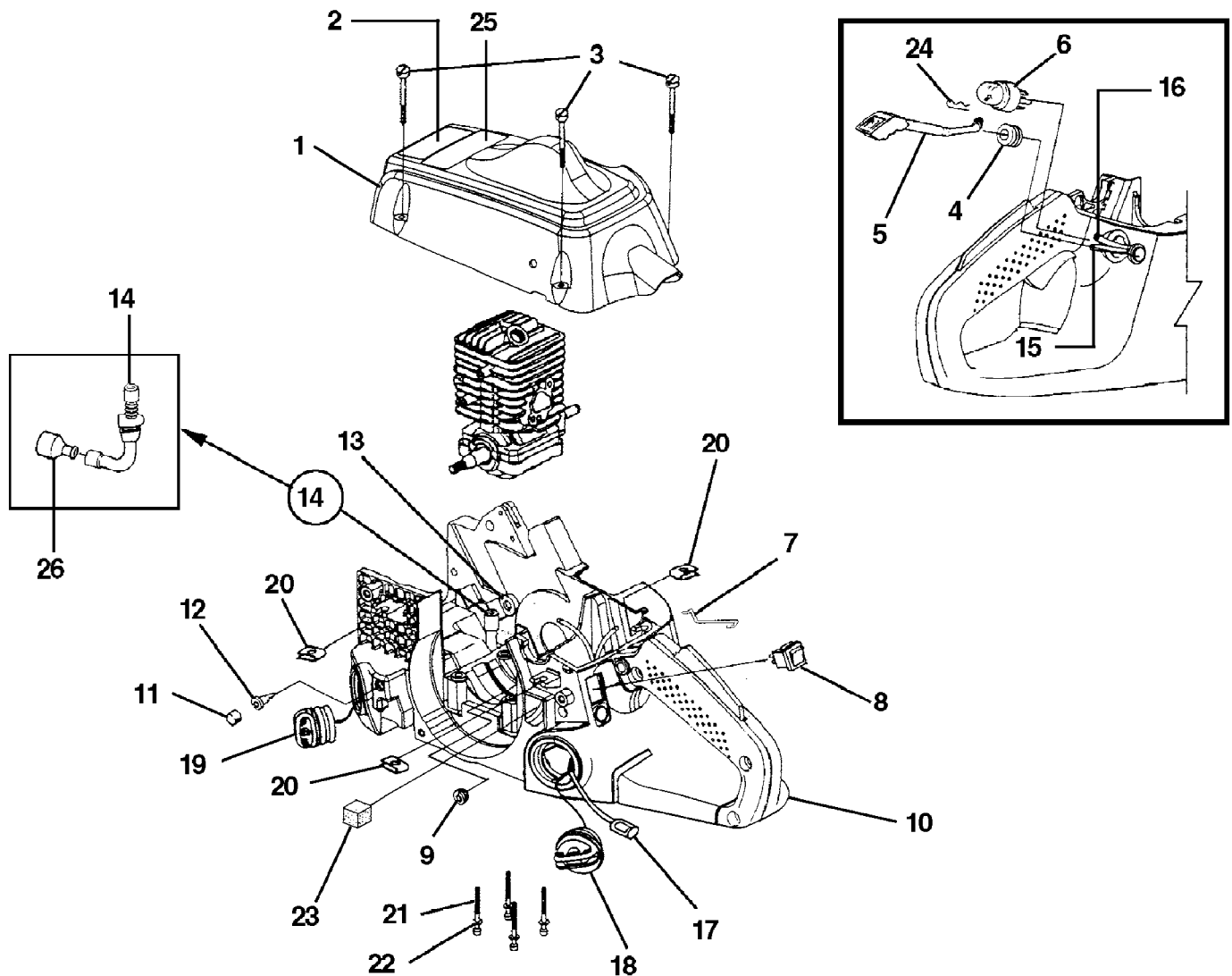


Item No.	Torque Specs		Required Loctite
	In.-Lbs.	Nm	
5	25-35	2.8-3.9	242 Blue
12	8-18	0.9-2.0	
14	130-180	14.7-20.3	
21	30-50	3.4-5.6	
22	Hand Tight		

33 cc 14" Chain Saw UT-10901-B
Clutch- Handguard- Drive Cascover

Page 6 of 14

Ref #	Part Number	Qty	S/P/F	Description
1	UP06568A	1	S/P	Hand Guard Kit Includes items 1 -2
2	82546	1	S/P	Screw-Thd. form. (#8-14 x .625)
3	07393	1	S/P	Pivot, L.H.
4	07392	1	S/P	Pivot, R.H.
5	82624	1	/P	Screw, Hex Socket Hd.(8-32 x 5/8")
6	PS04881	2	/P	Guide Bar Bolt
	UP06966A	1	/P	Guide Bar Adjusting Kit Includes items 6-11
7	07404A	1	/P	Plate, Guide Bar
8	07405A	1	/P	Plate, Guide Bar
9	06844	1	/P	Screw, Guide Bar Adjusting
10	06842	1	/P	Pin, Guide Bar Adjusting
11	69599	1	/P	Ring, Retaining
12	82513	1	/P	Screw, Thread Form., Plastite (6-19 x 1/2")
13	04940	1	/P	Thrust Washer
14	UP06727A	1	S/P	Clutch & Hardware
15	UP06967A	1	S/P	Sprocket, Drum (3/8 Pitch) Includes items 15-17
16	PS04669	1	/P	Bearing, Needle
17	08981	1	/P	Ring, Retaining
18	04939A	1	/P	Washer, Cupped
19	UP06975A	1	/P	Drive Case Cover Includes items 19-21
20	UP05634A	1	/P	Stop, Chain
21	82563	1	/P	Screw, Thread Form., Plastite (10-14 x 3/4")
22	81196	2	S/P	Nut, Hex



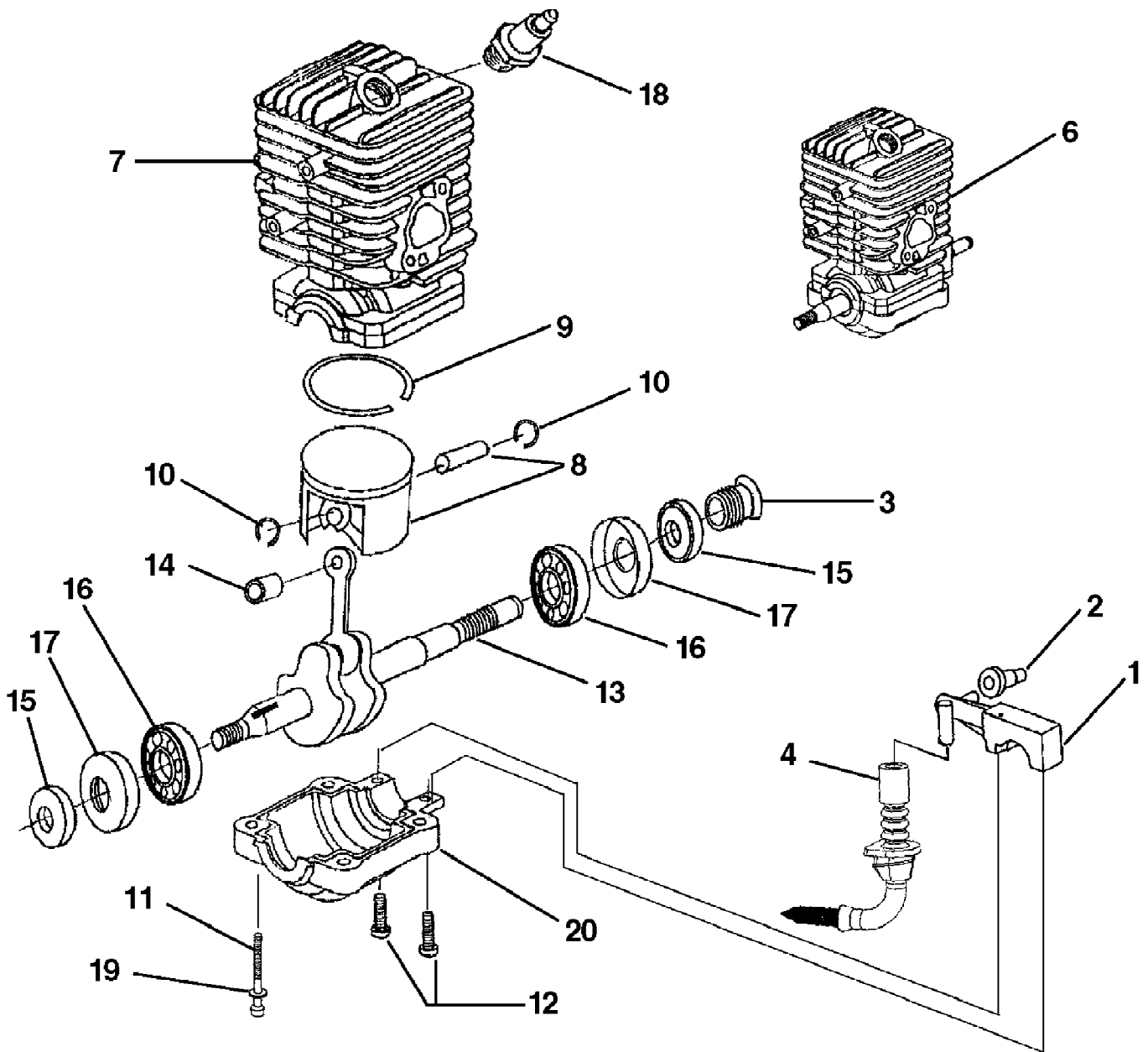
ITEM NO.	TORQUE SPECS.		REQUIRED LOCTITE
	In.-Lbs.	Nm	
3	15-25	1.7-2.8	
21	65-75	7.3-8.5	262 Red

33 cc 14" Chain Saw UT-10901-B
Engine Housing- Fuel Tank- Oil Tank

Page 8 of 14

Ref #	Part Number	Qty	S/P/F	Description
1	A09162A	1	/P	Cylinder Cover Kit Includes items 1-3
2	PS06324	1	S/P	Safety Decal
3	07597	3	S/P	Screw-Slotted Pan Hd.
4	64862	1	/P	Grommet
5	PS06280	1	/P	Rod, Choke
6	01183	1	/P	Bulb,Air Purge
7	PS01591	1	S/P	Throttle Wire
8	PS02369	1	/P	Switch, Rocker
9	07587	1	/P	Grommet-Split
10	UP06751A	1	/P	Engine Housing Includes items 10-19
11	07403	2	S/P	Element, Filter (Bronze)
12	03134	2	S/P	Duck Bill Valve
13	06841	1	/P	Oil Outlet Grommet
14	PA01037	1	/P	Oil Intake Tube
15	0745422	1	/P	Rubber Tubing (5 1/2")
16	0745434	1	/P	Rubber Tubing (8 1/2")
17	PS03380	1	/P	Fuel Filter
18	DA07590	1	S	Fuel Cap w/Retainer
19	DA07591	1		Oil Cap w/Retainer
	A68593	1		Oil Filter (See No.26)
	PS04881	2	/P	Guide Bar Bolt (Not Shown)
20	07598	3	/P	Speed Nut ("U-Type")
21	82527	4	S/P	Screw, Cap-Socket Hd. (10-24 x 2")
22	84008	4	S/P	Washer
23	PS05070	1	/P	Pre Filter
24	08939	1	/P	Spring Clip (Choke Rod)
25	PS03893	1	S/P	Kick back-Decal
26	A68593	1		Oil Filter

33 cc 14" Chain Saw UT-10901-B
 Engine Internal - Oil Pump



ITEM NO.	TORQUE SPECS.		REQUIRED LOCTITE
	In.-Lbs.	Nm	
11	65-75	7.3-8.5	262 Red
12	15-20	1.7-2.3	
18	120-180	13.6-20.3	

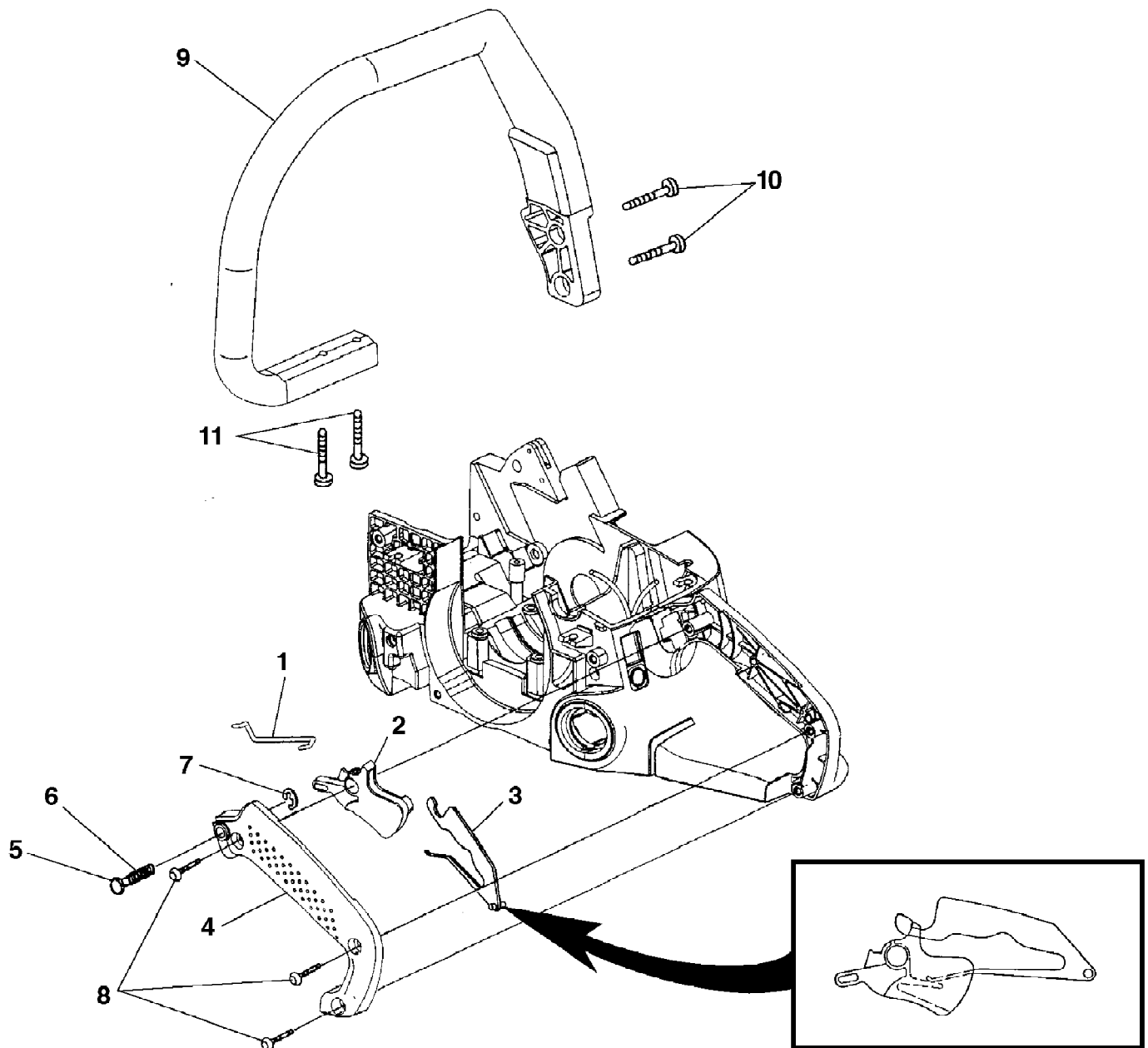
33 cc 14" Chain Saw UT-10901-B
Engine Internal - Oil Pump

Page 10 of 14

Ref #	Part Number	Qty	S/P/F	Description
1	UP06602	1	/P	Oil Pump Kit Includes items 2-4
2	06841	1	/P	Grommet,Oil Outlet
3	06847	1	S/P	Left Hand Worm
4	PA01037	1	/P	Oil Intake Tube w/Filter
6	300984003	1		Short Block,Complete (33cc) Includes item 7-17
7	640941004	1		Cylinder Kit (33cc) Includes item 7
	900848001	1	/P	Gasket, Muffler (Not Shown)
	06840A	1	/P	Gasket, Heat Dam (Not Shown)
	98339	1	S/P	Gasket, Carburetor (Not Shown)
8	640974002	1		Piston & Pin (33cc) Includes item 9-10
9	03179	1	/P	Piston Ring
10	64813	2	/P	Ring, Retaining
11	82527	4	S/P	Screw, Cap-Socket Hd.(10-24x2")
12	PS04989	2	/P	Screw, Pan Hd.,(8-32x5/8") Includes items 13-17
13	300943003	1		Crankshaft & Rod Assembly
14	678196001	1		Bearing, Needle
15	04920	2	S/P	Shaft Seal
16	A04931A	2	S	Bearing & Rubber Case Includes item 17
17	04919	1	S/P	Rubber Case
18	PS06216	1	S/P	Spark Plug
19	84008	4	S/P	Washer
20	04909	1	/P	Lower Crankcase

33 cc 14" Chain Saw UT-10901-B
Handles

Page 11 of 14



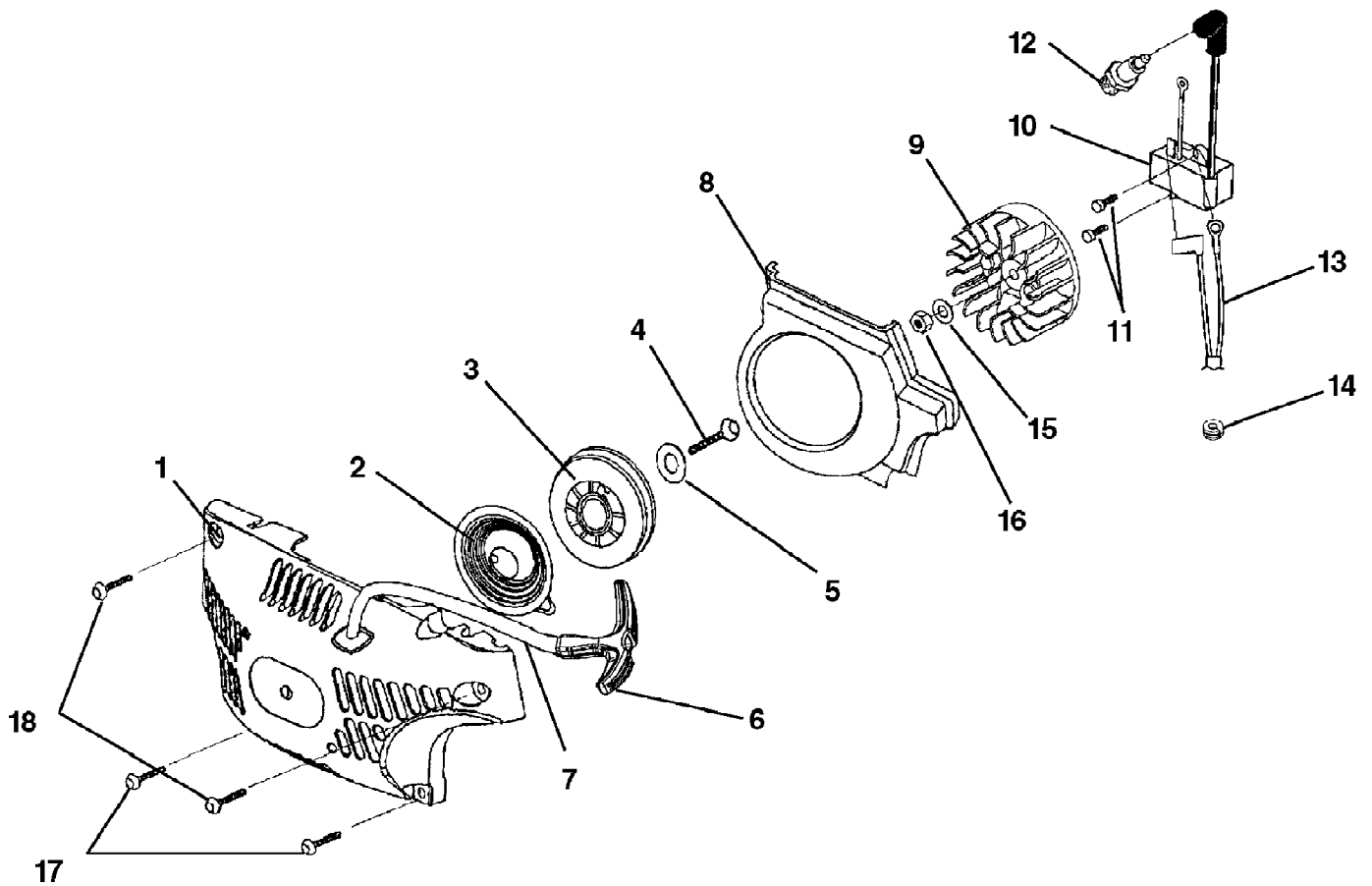
ITEM NO.	TORQUE SPECS.		REQUIRED LOCTITE
	In.-Lbs.	Nm	
8	30-40	3.4-4.5	
10	30-40	3.4-4.5	
11	30-40	3.4-4.5	

33 cc 14" Chain Saw UT-10901-B
Handles

Page 12 of 14

Ref #	Part Number	Qty	S/P/F	Description
1	PS01591	1	S/P	Throttle Wire
2	PS0396801	1		Trigger, Throttle
3	PS06283	1	/P	Throttle Lock Out
4	UP06736A	1	/P	Handle Cover Kit Includes items 4-7
5	PS0396701	1	/P	Throttle Lock Pin
6	08898	1	/P	Spring, Compression
7	58409	1	/P	Ring, Retainer
8	82563	3	/P	Screw, Thread Form., Plastite (10-14 x 3/4")
9	UP06974A	1	S/P	Front Handle Kit Includes items 9-11
10	82537	2	/P	Screw, Plastite (10-14 x 5/8")
11	82589	2	/P	Screw, Truss Hd.

33 cc 14" Chain Saw UT-10901-B
 Starter - Ignition



ITEM NO.	TORQUE SPECS.		REQUIRED LOCTITE
	In.-Lbs.	Nm	
4	30-40	3.4-4.5	
11	30-40	3.4-4.5	242 Blue
12	120-180	13.6-20.3	
16	100-150	11.3-16.9	
17	30-40	3.4-4.5	
18	30-40	3.4-4.5	

33 cc 14" Chain Saw UT-10901-B
Starter - Ignition

Page 14 of 14

Ref #	Part Number	Qty	S/P/F	Description
1	UP06749A	1	S/P	Starter Kit Includes items 2-7
2	A97908	1	/P	Spring & Container
3	PS03117	1	/P	Pulley, Starter
4	82621	1	/P	Screw, Thread Form, Plastite (10-14 x 5/8")
5	94062	1	/P	Washer, Retaining
6	PS06114	1	/P	Grip, Starter
7	9789901	1	/P	Rope, Starter 46"
8	06876	1	/P	Baffle, Fan Housing
9	986154001	1	S/P	Rotor & Starter Pawl
10	984882001	1	S	Ignition Kit (33cc models) Includes item 11
11	82575	2	S/P	Screw, Thread Form (8-32 x 5/8")
12	PS06216	1	S/P	Spark Plug
13	A07602A	1	/P	Ignition Switch Harness
14	07587	1	/P	Grommet, Wire Harness (Split)
15	PS84065	1	S/P	Washer, Flat
16	985730001	1	S	Nut, Jam
17	82620	2	/P	Screw, Truss Hd., Plastite (10-14 x 7/8")
18	82621	2	/P	Screw, Truss Hd., Plastite (10-14 x 5/8")