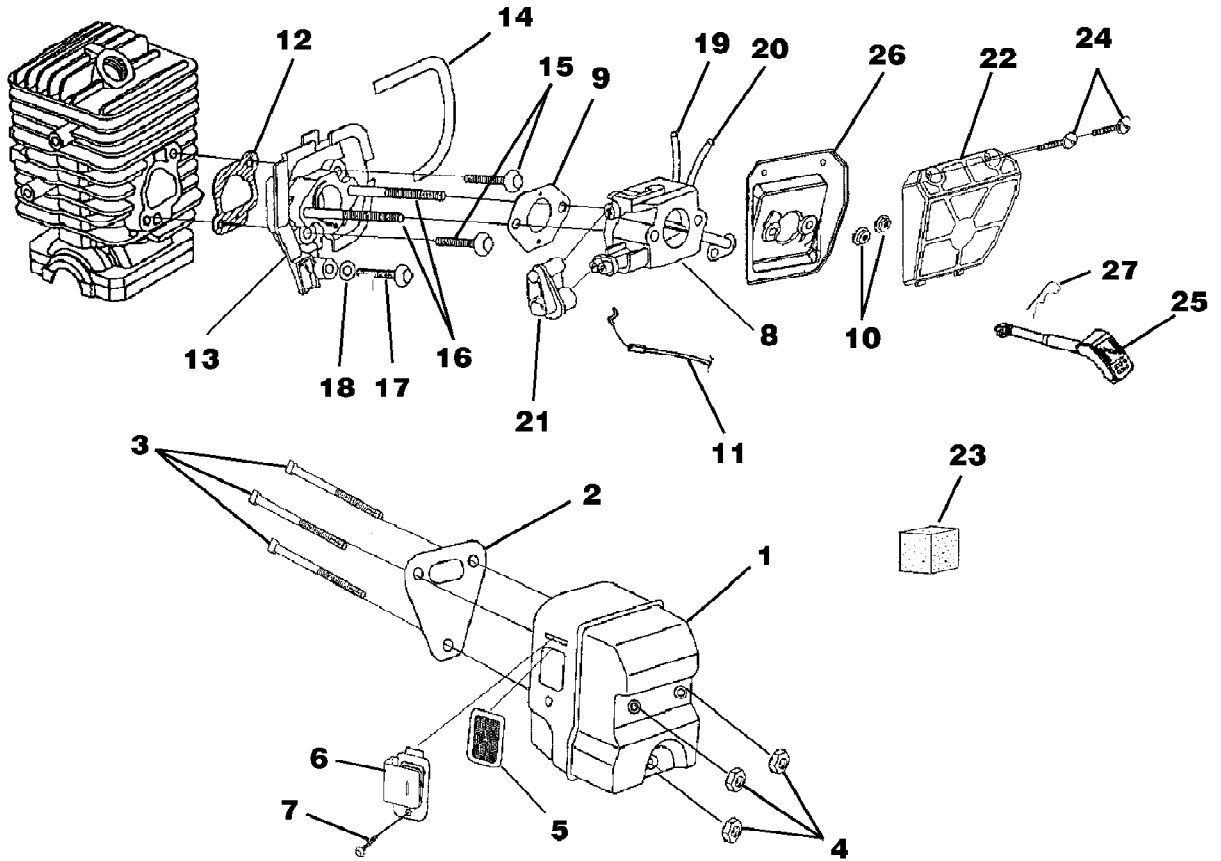


No
Diagram
Available

Parts List
Only

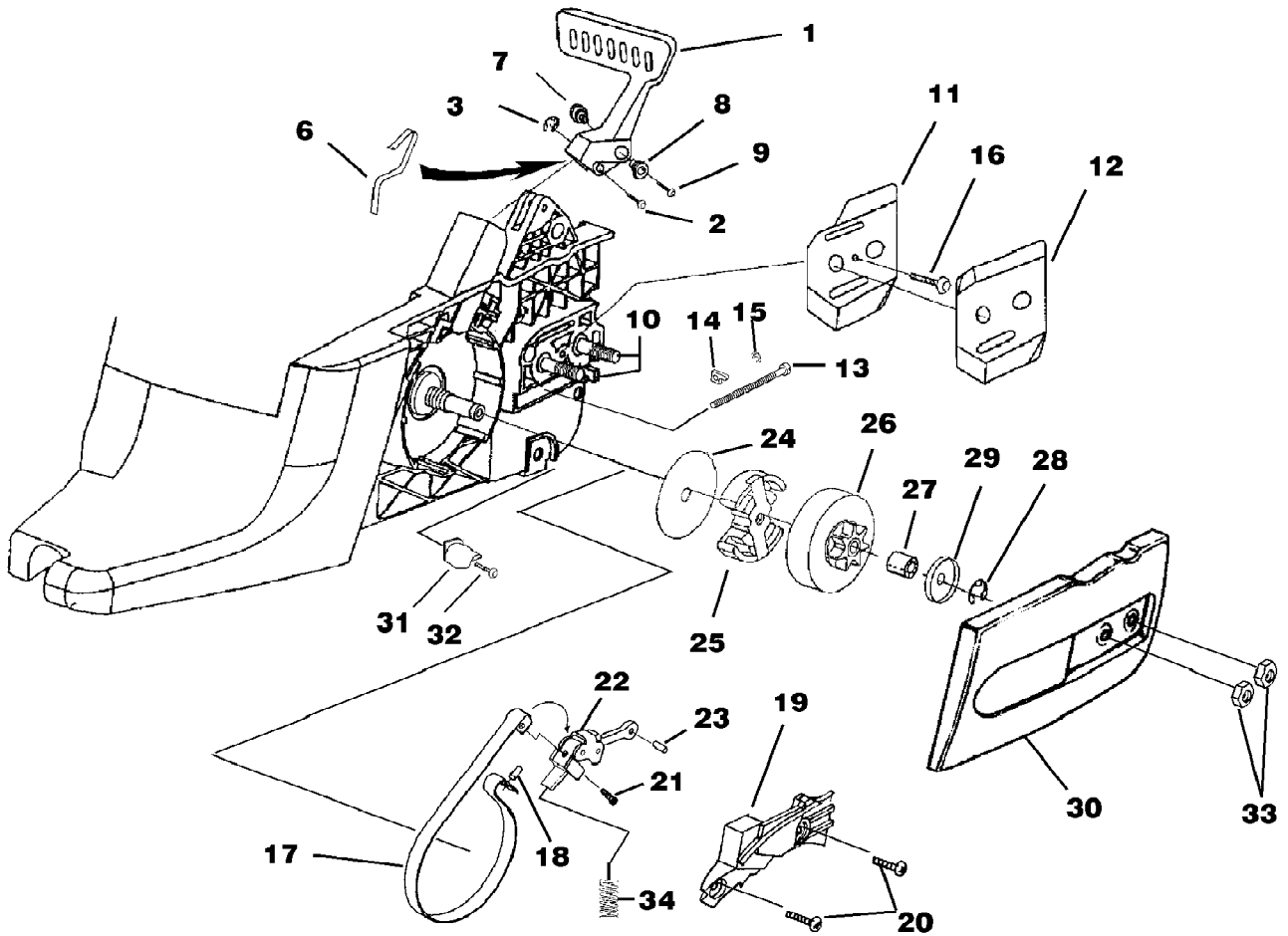
| Ref # | Part Number | Qty | S/P/F | Description |
|-------|-------------|-----|-------|--|
| | PT12371MD | 1 | | Guide Bar (Power Tip) 12" (3/8" pitch) |
| | H1N7245AH | 1 | | Chain (3/8" pitch) |
| | PT14371MD | 1 | /P | Guide Bar (Power Tip) 14" (3/8" pitch) |
| | H1N7252AH | 1 | S | Chain (3/8" pitch) |
| | PT16371MD | 1 | /P | Guide Bar (Power Tip) 16" (3/8" pitch) |
| | H1N7256AH | 1 | S | Chain (3/8" pitch) |
| | PT18371MD | 1 | /P | Guide Bar (Power Tip) 18" (3/8" pitch) |
| | H1N7262AH | 1 | S | Chain (3/8" pitch) |
| | PL13321MA | 1 | | Guide Bar (Power Tip) 13" (.325 pitch) |
| | D1L7256AH | 1 | | Chain or D1L7356AH (.325 pitch) |
| | PL15321MA | 1 | | Guide Bar (Power Tip) 15" (.325 pitch) |
| | D1L7264AH | 1 | | Chain (.325 pitch) Or |
| | D1L7364AH | 1 | | Chain (.325 pitch) |
| | PT16321MA | 1 | | Guide Bar (Power Tip) 16" (.325 pitch) |
| | D1L7266AH | 1 | S | Chain (.325 pitch) Or |
| | D1L7366AH | 1 | | Chain (.325 pitch) |
| | PT18321MA | 1 | S | Guide Bar (Power Tip) 18" (.325 pitch) |
| | D1L7272AH | 1 | | Chain (.325 pitch) Or |
| | D1L7372AH | 1 | | Chain (.325 pitch) |
| | PT20321MA | 1 | /P | Guide Bar (Power Tip) 20" (.325 pitch) |
| | D1L7278AH | 1 | | Chain (.325 pitch) Or |
| | D1L7378AH | 1 | | Chain (.325 pitch) |
| | PS24823 | 1 | /P | Sealant Silicon |
| | UP06561 | 1 | S/P | Rubber tubing (10') |
| | 09207 | 1 | /P | Wrench - Combination |
| | 18416 | 1 | | Digital Tachometer |
| | 18453 | 1 | /P | Grease, Multi-purpose |
| | 94194 | 1 | /P | Compression Tester |
| | UP07160 | 1 | S/P | Bit, Torx T27 |
| | UP04562 | 1 | S/P | Carry Case |
| | UP06732 | 1 | S/P | Bumper Spike Kit |



27av Chain Saw UT-10859
Carburetor - Muffler - Air Filter

Page 4 of 14

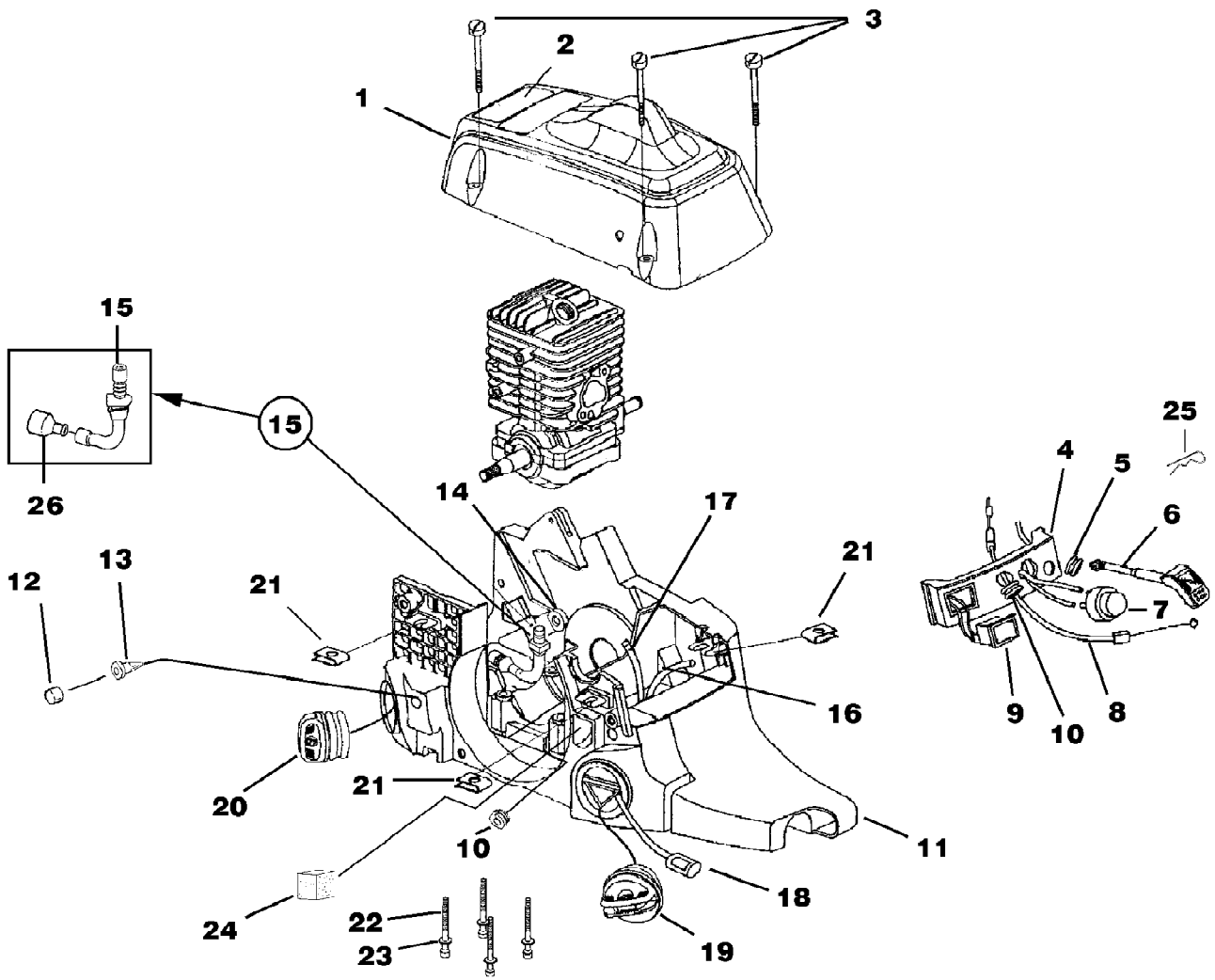
| Ref # | Part Number | Qty | S/P/F | Description |
|-------|-------------|-----|-------|--|
| 1 | UP06752 | 1 | S/P | Muffler Kit (33/38cc); Includes items 2-7 |
| | UP00126 | 1 | S | Muffler Kit (45cc) |
| 2 | UP04183 | 1 | S | Muffler Gasket |
| 3 | UP04049 | 3 | S/P | Screw-Square Hd. |
| 4 | UP04059 | 3 | S/P | Nut-Locking Hex (10-32) Torque Specs 50-60 In/Lbs; 5.6-6.7 Nm |
| 5 | UP04203 | 1 | S | Screen, Spark |
| 6 | UP04204 | 1 | S/P | Deflector, Muffler (33/38cc) |
| | UP04069 | 1 | | Deflector, Muffler (45cc) |
| 7 | UP04244 | 1 | S/P | Screw |
| 8 | UP06737 | 1 | S/P | Carburetor Assy (33 & 38cc); Includes items 9-10 |
| | UP00125 | 1 | S/P | Carburetor Assy (45cc) |
| | A09160 | 1 | | Carburetor Assy (Int'l 33cc, Int'l 38cc) |
| | UP00499 | 1 | | Carburetor Assy (Int'l 41cc, Int'l 45cc) |
| 9 | UP04094 | 1 | S | Carburetor Gasket |
| 10 | UP04217 | 2 | S | Flange Nut (10-24) Torque Specs 30-40 In/Lbs; 3.4-4.5 Nm |
| 11 | UP04218 | 1 | S/P | Throttle Cable |
| 12 | UP04184 | 1 | S/P | Gasket, Heat Dam |
| 13 | UP04173 | 1 | S | Heat Dam |
| 14 | UP04191 | 1 | S | Seal, Heat Dam |
| 15 | UP04084 | 2 | S/P | Screw, Truss Hd. Taptite (10-24 x 7/8") Torque Specs 45-55 In/Lbs; 5.0-6.2 Nm |
| 16 | UP04189 | 2 | S | Screw, Carburetor |
| 17 | UP03897 | 1 | S | Screw, Thread Form (10-14 x 1/2") Torque Specs 30-40 In/Lbs; 3.4-4.5 Nm |
| 18 | UP03867 | 1 | S/P | Washer, Retaining |
| 19 | UP04211 | 1 | S | Fuel Line (Tank to Carburetor 8 1/2") |
| 20 | UP04209 | 1 | S/P | Fuel Line (Carburetor to Purge Bulb 4") |
| 21 | UP04171 | 1 | S | Carburetor Grommet |
| | UP06753 | 1 | S/P | Air Filter Kit Includes items 22-24 |
| 22 | UP04533 | 1 | S | Air Filter Cover |
| 23 | UP04208 | 1 | S | Pre Filter (In engine housing) |
| 24 | UP04235 | 2 | S | Screw-Slotted Pan Hd. (8-16 x 5/8") Torque Specs 15-20 In/Lbs; 1.7-2.3 Nm |
| 25 | UP04213 | 1 | S | Rod, Choke |
| 26 | UP04178 | 1 | S | Air Filter Plate |
| 27 | UP04227 | 1 | S | Spring Clip (Choke Rod) |



27av Chain Saw UT-10859
Clutch - Chain Brake - Drive Case Cover

Page 6 of 14

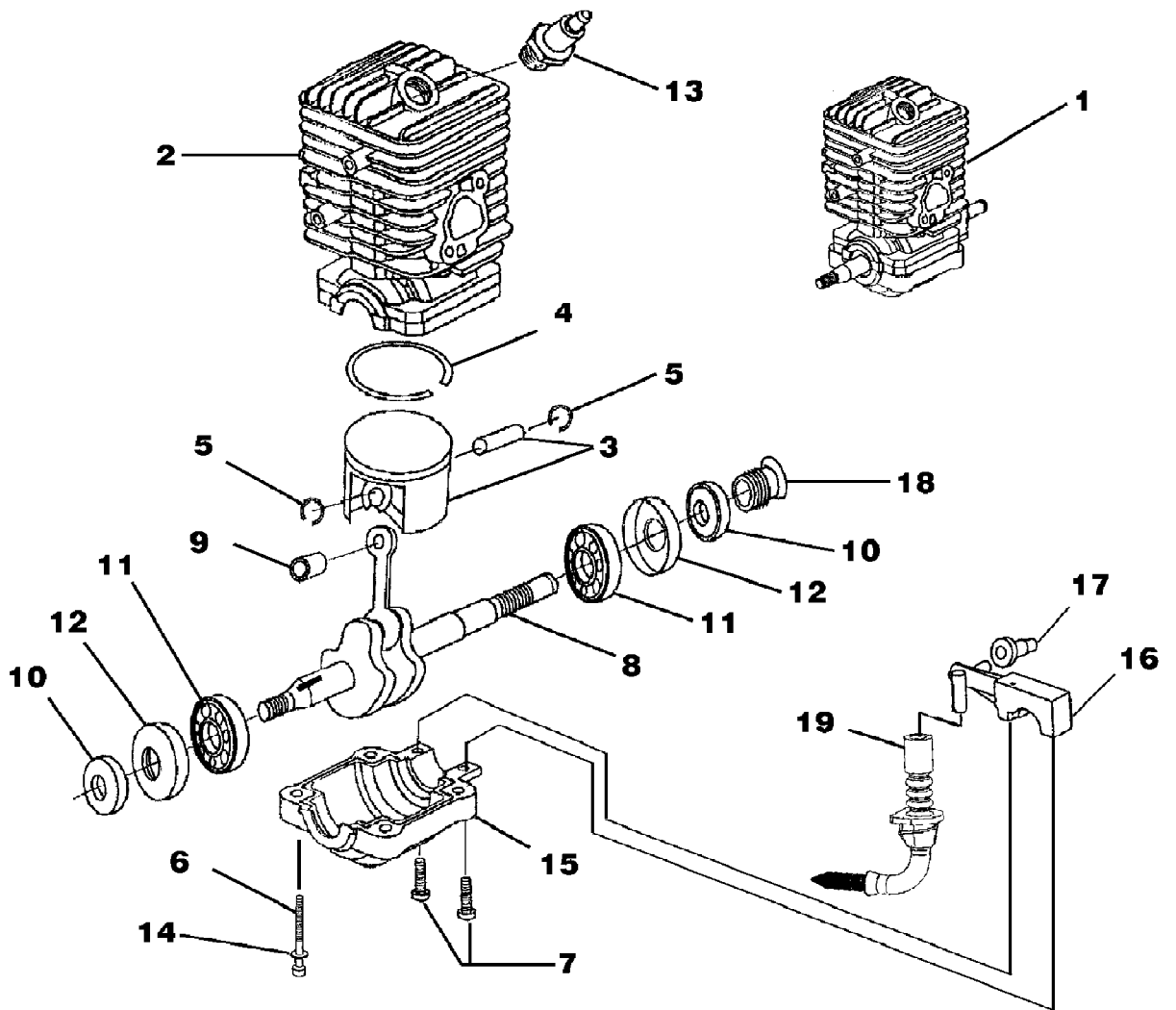
| Ref # | Part Number | Qty | S/P/F | Description |
|-------|-------------|-----|-------|---|
| 1 | UP06568 | 1 | S/P | Hand Guard Kit Includes items 2-5 |
| 2 | UP04214 | 1 | S | Hand Guard Actuating Pin |
| 3 | UP04056 | 1 | S | Retaining Ring |
| ?4 | UP04207 | 1 | /P | Hand Guard Link (Non-chain brake units-not shown) |
| ?5 | UP04090 | 1 | S | Roll Pin (Non-chain brake units-not shown) |
| 6 | UP04224 | 1 | S | Spring, Handguard |
| 7 | UP04202 | 1 | S | Pivot, L.H. |
| 8 | UP04201 | 1 | S | Pivot, R.H. |
| 9 | UP04240 | 1 | S | Screw, Hex Socket Hd. (8-32 x 5/8") Torque Specs 25-35 In/Lbs; 2.8-3.9 Nm |
| 10 | UP04180 | 2 | S | Guide Bar Bolt |
| | UP06966 | 1 | S/P | Guide Bar Adjusting Kit Includes items 11-15 |
| 11 | UP04206 | 1 | S/P | Plate, Guide Bar |
| 12 | UP04085 | 1 | S/P | Plate, Guide Bar |
| 13 | UP04187 | 1 | S | Screw, Guide Bar Adjusting |
| 14 | UP04186 | 1 | S | Pin, Guide Bar Adjusting |
| 15 | UP04056 | 1 | S | Ring, Retaining |
| 16 | UP04082 | 1 | S | Screw, Thread Form (6-19 x 1/2") Torque Specs 8-18 In/Lbs; .9-2.0 Nm |
| 17 | A08680A | 1 | S/P | Chain Brake Kit Includes items 18-21 |
| 18 | UP04181 | 1 | S | Pin, Roll |
| 19 | UP04309 | 1 | S/P | Cover, Chain Brake |
| 20 | UP04082 | 2 | S | Screw, Pan Hd. (6-19 x 1/2") Torque Specs 10-20 In/Lbs; 1.1-2.3 Nm |
| 21 | UP04239 | 1 | S | Screw, Pan Hd. (8-16 x .320) Torque Specs 20-30 In/Lbs; 2.3-3.4 Nm |
| 22 | UP04223 | 1 | S | Chain Brake Link |
| 23 | UP04090 | 1 | S | Pin, Roll |
| 24 | UP04182 | 1 | S | Thrust Washer |
| 25 | UP06727 | 1 | S/P | Clutch & Hardware Torque Specs 130-180 In/Lbs; 14.7-20.3 Nm |
| 26 | UP06967 | 1 | S | Sprocket, Drum (3/8 Pitch) Includes items 27-28 |
| | UP04560 | 1 | S/P | Sprocket, Drum (.325 Pitch) (i3850b & 45cc only) |
| 27 | UP04175 | 1 | S | Bearing, Needle |
| 28 | UP04228 | 1 | S/P | Ring, Retaining |
| 29 | UP04179 | 1 | S/P | Washer, Cupped |
| 30 | UP06975 | 1 | S/P | Drive Case Cover Includes items 31-32 |
| 31 | UP04088 | 1 | S | Stop, Chain |
| 32 | UP03900 | 1 | S/P | Screw, Thread Form (10-14 x 3/4") Torque Specs 30-50 In/Lbs; 3.4-5.6 Nm |
| 33 | UP04058 | 2 | S | Nut, Hex Torque Specs Hand Tight |
| 34 | UP04032 | 1 | S | Spring, Compression |



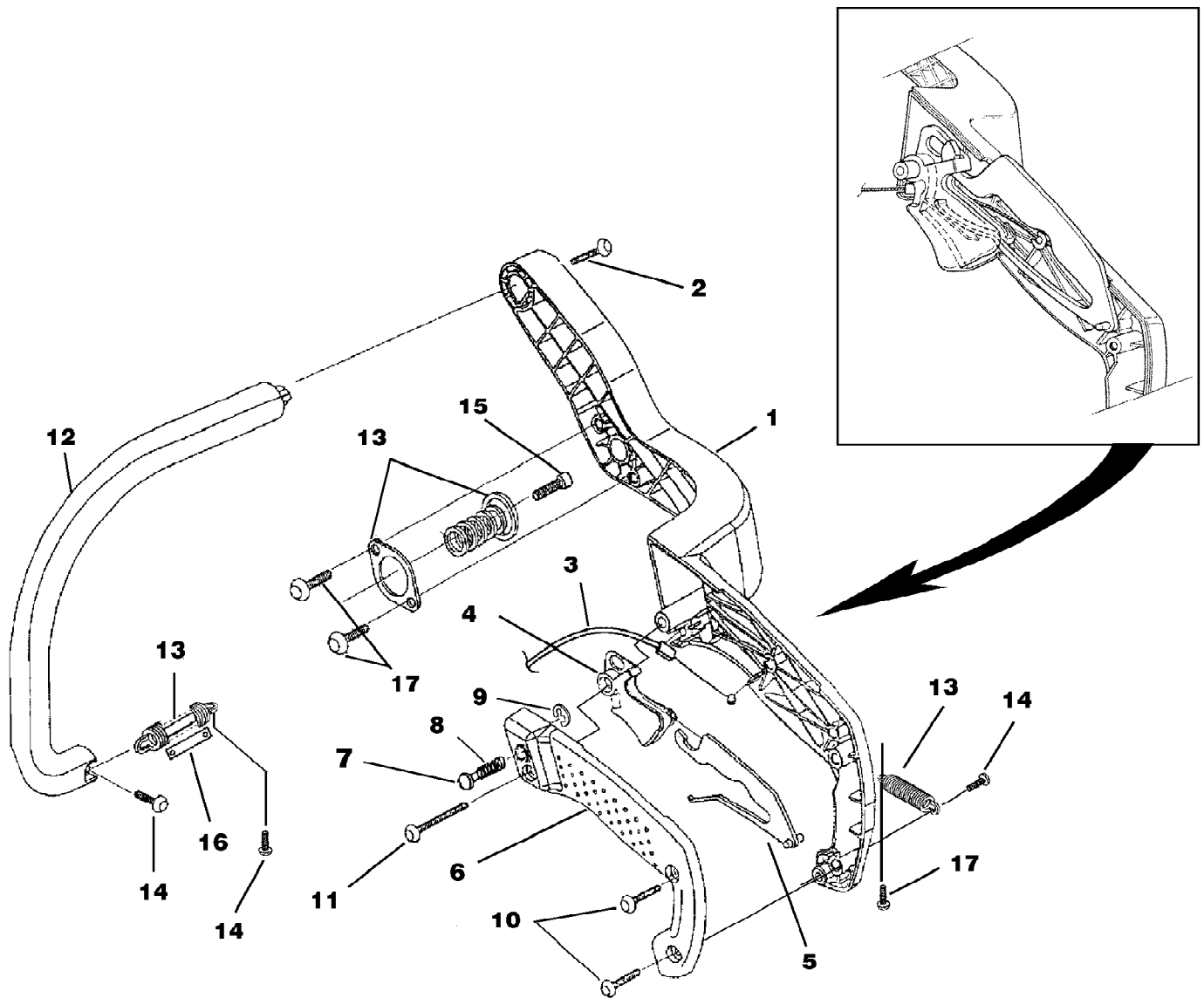
27av Chain Saw UT-10859
Engine Housing - Fuel Tank - Oil Tank

Page 8 of 14

| Ref # | Part Number | Qty | S/P/F | Description |
|-------|-------------|-----|-------|---|
| 1 | A08692 | 1 | S | Cylinder Cover Kit Includes items 2-3 |
| 2 | UP04212 | 1 | S | Safety Decal |
| 3 | UP04219 | 3 | S | Screw-Slotted Pan Hd. Torque Specs 15-25 In/Lbs; 1.7-2.8 Nm |
| 4 | UP04193 | 1 | S/P | Control Panel |
| 5 | UP04052 | 1 | S | Grommet |
| 6 | UP04213 | 1 | S | Rod, Choke |
| 7 | UP04033 | 1 | S/P | Bulb, Air Purge |
| 8 | UP04218 | 1 | S/P | Throttle Cable |
| 9 | UP04197 | 1 | S/P | Switch, Rocker |
| 10 | UP04215 | 2 | S | Grommet - Split |
| 11 | UP06754 | 1 | S/P | Engine Housing Includes items 12-20 |
| 12 | UP04205 | 2 | S | Element, Filter (Bronze) |
| 13 | UP04045 | 2 | S | Duck Bill Valve |
| 14 | UP04185 | 1 | S | Oil Outlet Grommet |
| 15 | UP04048 | 1 | S/P | Oil Intake Tube |
| 16 | UP04210 | 1 | S/P | Rubber Tubing (5 1/2") |
| 17 | UP04211 | 1 | S | Rubber Tubing (8 1/2") |
| 18 | UP03871 | 1 | S/P | Fuel Filter |
| 19 | DA07590 | 1 | S | Fuel Cap w/ Retainer |
| 20 | DA07591 | 1 | | Oil Cap w/ Retainer |
| | UP04054 | 1 | | Oil Filter (Not Shown) |
| | UP04180 | 2 | S | Guide Bar Bolt (Not Shown) |
| 21 | UP04221 | 3 | S | Speed Nut ("U-Type") |
| 22 | UP04083 | 4 | S | Screw, Cap-Socket Hd. (10-24 x 2") Torque Specs 65-76 In/Lbs; 7.3-8.5 Nm |
| 23 | UP04087 | 4 | S | Washer |
| 24 | UP04208 | 1 | S | Pre Filter |
| 25 | UP04227 | 1 | S | Spring Clip (Choke Rod) |
| 26 | UP04054 | 1 | | Oil Filter |



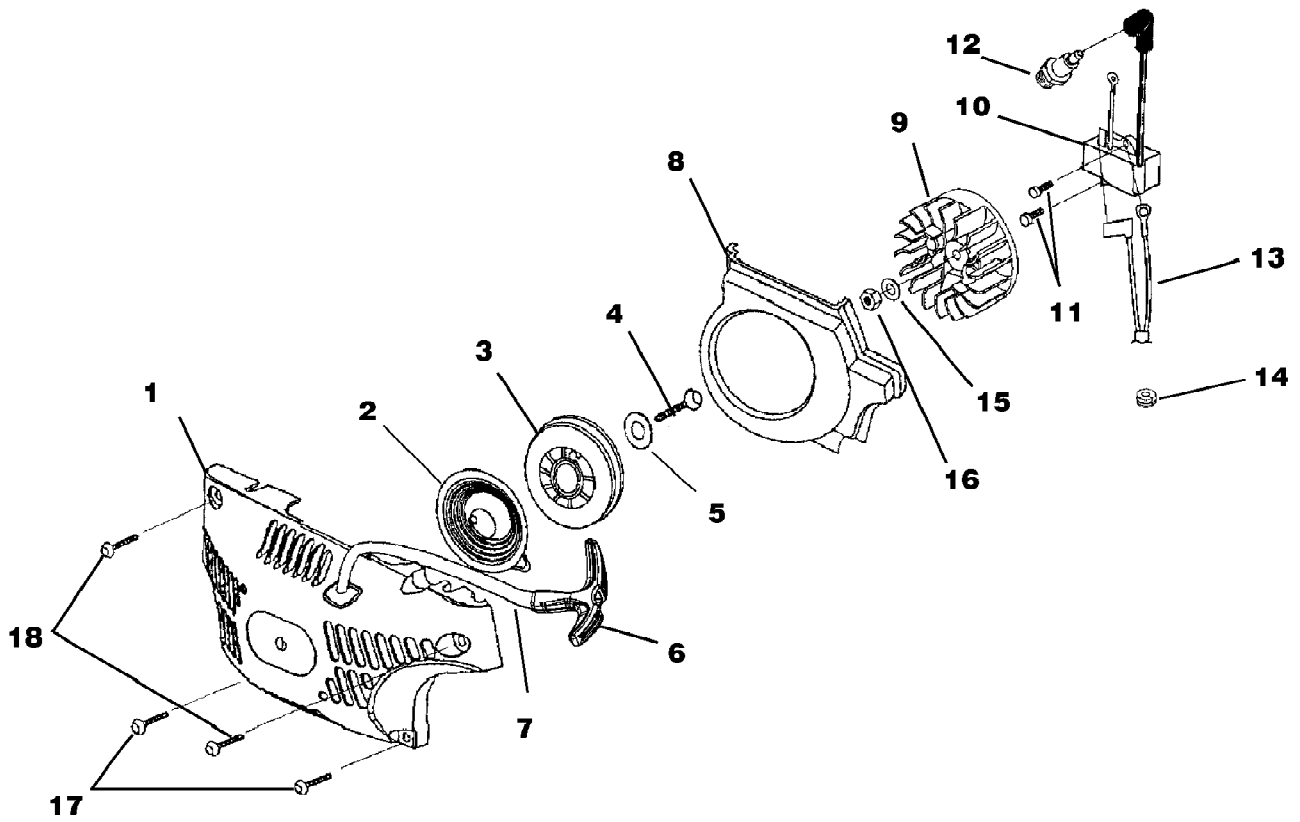
| Ref # | Part Number | Qty | S/P/F | Description |
|-------|-------------|-----|-------|--|
| 1 | UP03119 | 1 | S | Short Block Complete (33cc); Includes items 2-12 |
| | UP04161 | 1 | /P | Short Block Complete (38cc) |
| | UP04166 | 1 | S | Short Block Complete (45cc) |
| 2 | A08666 | 1 | S | Cylinder Kit (33cc) |
| | A08667 | 1 | S/P | Cylinder Kit (38cc) |
| | UP00129 | 1 | S | Cylinder Kit (45cc) |
| | UP04183 | 1 | S | Gasket, Muffler (Not Shown) |
| | UP04184 | 1 | S/P | Gasket, Heat Dam (Not Shown) |
| | UP04094 | 1 | S | Gasket, Carburetor (Not Shown) |
| 3 | UP06971 | 1 | S/P | Piston & Pin (33cc); Includes items 4-5 |
| 4 | UP04177 | 1 | S | Piston Ring (33cc) |
| 5 | UP04051 | 2 | S | Ring, Retaining |
| 3 | A08669 | 1 | S | Piston & Pin (38cc); Includes items 4-5 |
| 4 | UP04190 | 1 | S | Piston Ring (38cc) |
| 5 | UP04051 | 2 | S | Ring, Retaining |
| 3 | UP00130 | 1 | S | Piston & Pin (45cc); Includes items 4-5 |
| 4 | UP04231 | 1 | S | Piston Ring (45cc) |
| 5 | UP04051 | 2 | S | Ring, Retaining |
| 6 | UP04083 | 4 | S | Screw, Cap-Socket Hd. (10-24 x 2") Torque Specs 65-75 In/Lbs; 7.3-8.5 Nm; Required Loctite 262 Red |
| 7 | UP03898 | 2 | S | Screw, Pan Hd., Plastite (8-16 x 5/8") Torque Specs 15-20 In/Lbs; 1.7-2.3 Nm |
| 8 | UP03118 | 1 | S | Crankshaft & Rod Assy (33 & 38cc); Includes items 9-12 |
| | UP04165 | 1 | S | Crankshaft & Rod Assy (45cc) |
| 9 | UP04174 | 1 | S/P | Bearing, Needle Includes items 10-12 |
| 10 | UP04047 | 2 | S | Shaft Seal |
| 11 | UP04176 | 2 | S/P | Bearing & Rubber Case Includes item 12 |
| 12 | UP04046 | 2 | S | Rubber Case |
| 13 | UP04093 | 1 | S | Spark Plug Torque Specs 120-180 In/Lbs; 13.6-20.3 Nm |
| 14 | UP04087 | 4 | S | Washer |
| 15 | UP04172 | 1 | S | Lower Crankcase (33 & 38cc) |
| | UP04232 | 1 | S | Lower Crankcase (45cc) |
| 16 | UP06602 | 1 | /P | Oil Pump Kit Includes items 17-19 |
| 17 | UP04185 | 1 | S | Grommet, Oil Outlet |
| 18 | UP04188 | 1 | S | Left Hand Worm |
| 19 | UP04048 | 1 | S/P | Oil Intake Tube w/Filter |



27av Chain Saw UT-10859
Handles

Page 12 of 14

| Ref # | Part Number | Qty | S/P/F | Description |
|-------|-------------|-----|-------|---|
| 1 | A08675 | 1 | S | Rear Handle Kit Includes items 2-11 |
| 2 | UP04234 | 1 | S/P | Screw-Pan Hd. (12-14 x 1 1/2") Torque Specs 40-50 In/Lbs; 4.5-5.6 Nm |
| 3 | UP04218 | 1 | S/P | Throttle Cable |
| 4 | UP04195 | 1 | S/P | Trigger, Throttle |
| 5 | UP04196 | 1 | S | Throttle Lock Out |
| 6 | A08683 | 1 | S | Handle Cover Kit Includes items 7-10 |
| 7 | UP04199 | 1 | S | Throttle Lock Pin |
| 8 | UP04226 | 1 | S | Spring, Compression |
| 9 | UP04050 | 1 | S | Ring, Retainer |
| 10 | UP03900 | 2 | S/P | Screw, Thread Form (10-14 x 3/4") Torque Specs 30-40 In/Lbs; 3.4-4.5 Nm |
| 11 | UP04238 | 1 | S | Screw, Thread Form (10-14 x 1 3/8") Torque Specs 30-40 In/Lbs; 3.4-4.5 Nm |
| 12 | UP06973 | 1 | S/P | Front Handle Kit |
| | UP04234 | 1 | S/P | Screw-Pan Hd. (12-14 x 1 1/2") (See No. 2 above) |
| 13 | A08677 | 1 | S | Isolator Kit Includes 14-16 |
| 14 | UP04237 | 3 | S | Screw, Truss Hd. (10-14 x 5/8") Torque Specs 30-40 In/Lbs; 3.4-4.5 Nm |
| 15 | UP04233 | 1 | S | Screw, Truss Hd. (10-24 x 5/8") Torque Specs 40-50 In/Lbs; 4.5-5.6 Nm |
| 16 | UP04200 | 1 | S | Limitter, Isolator |
| 17 | UP03897 | 3 | S | Screw, Thread Form (10-14 x 1/2") Torque Specs 30-40 In/Lbs; 3.4-4.5 Nm |



27av Chain Saw UT-10859
Starter - Ignition

Page 14 of 14

| Ref # | Part Number | Qty | S/P/F | Description |
|-------|-------------|-----|-------|---|
| 1 | UP06749 | 1 | S/P | Starter Kit Includes items 2-7 |
| 2 | UP04092 | 1 | S | Spring & Container |
| 3 | UP05460 | 1 | S/P | Pulley, Starter |
| 4 | UP04237 | 1 | S | Screw, Thread Form (10-14 x 5/8") Torque Specs 30-40 In/Lbs; 3.4-4.5 Nm |
| 5 | UP04089 | 1 | S/P | Washer, Retaining |
| 6 | UP04216 | 1 | S | Grip, Starter |
| 7 | UP03911 | 1 | S | Rope, Starter 46" |
| 8 | UP04192 | 1 | S | Baffle, Fan Housing |
| 9 | UP05850 | 1 | S | Rotor & Starter Pawl |
| 10 | A08676A | 1 | S | Ignition Kit (33cc models); Includes item 11 |
| | UP05851 | 1 | S | Ignition Kit Both kits include: |
| 11 | UP04086 | 2 | S/P | Screw, Thread Form (8-32 x 5/8") Torque Specs 30-40 In/Lbs; 3.4-4.5 Nm |
| 12 | UP05875 | 1 | S | Spark Plug Torque Specs 120-180 In/Lbs; 13.6-20.3 Nm |
| 13 | UP04222 | 1 | S | Ignition Switch Harness |
| 14 | UP04215 | 1 | S | Grommet, Wire Harness (Split) |
| 15 | UP04241 | 1 | S/P | Washer, Flat |
| 16 | UP04081 | 1 | S | Nut, Jam Torque Specs 100-150 In/Lbs; 11.3-16.9 Nm |
| 17 | UP04236 | 2 | S | Screw, Truss Hd. (10-14 x 7/8") Torque Specs 30-40 In/Lbs; 3.4-4.5 Nm |
| 18 | UP04237 | 2 | S | Screw, Truss Hd. (10-14 x 5/8") Torque Specs 30-40 In/Lbs; 3.4-4.5 Nm |