

Homelite®

PARTS LIST



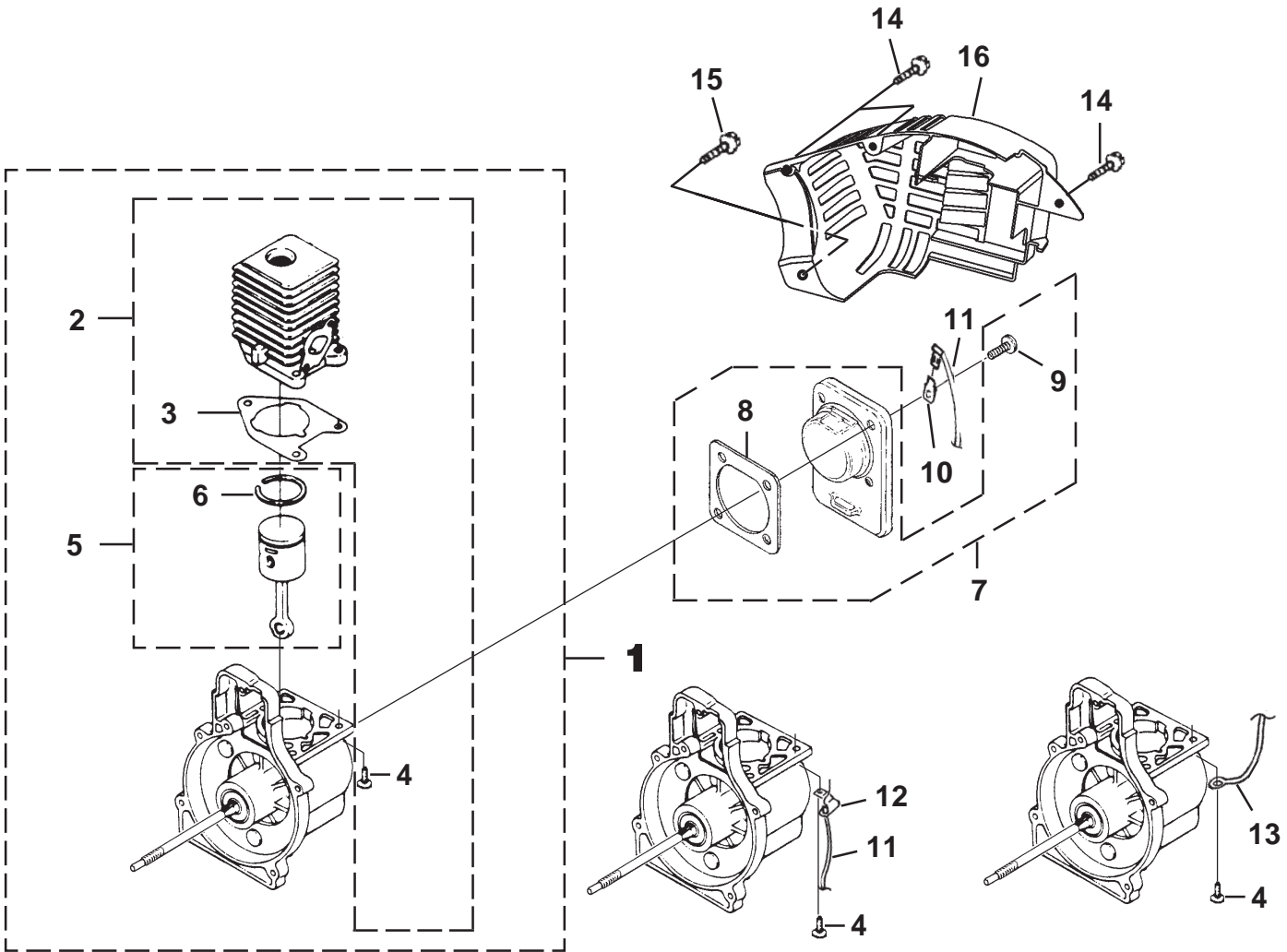
Blowers
Eco Power

BackPacker™	UT08115,	UT08130
-------------	----------	---------

Yard Sweeper™ Vac	UT08114,	UT08131
-------------------	----------	---------

BackPacker™ (25cc)
 Yard Sweeper™ Vac ... (25cc)

ENGINE INTERNAL



NO.	PART NO.	DESCRIPTION	QTY.
1	•UP 07815	SHORT BLOCK (25cc)	1
2	•UP 06348	25 CC CYLINDER KIT	1
3	UP 03857	GASKET-Cylinder	1
4	UP 04345	SCREW, SEMS (12-24 x 3/4)	3
5	•UP 06347	25 CC PISTON & ROD	1
6	UP 06346	RING-Piston	1
7	•UP 00019	CRANKCASE COVER-Stamped Steel	1
8	UP 03862	GASKET-Crankcase *	1
9	UP 04295	SCREW, SEMS (10-24 x .56)	4
10	UP 03834	TAB-Male	1
11	UP 06782	CABLE-Throttle w/Ignition Leads (BackPacker)	1
12	UP 04296	CABLE BRACKET (BackPacker)	1
13	UP 08027	Lead-Ground to Switch (Yard Sweeper)	1
14	UP 03893	SCREW-Thread Form. (#8 X 1/2")	3
15	UP 03900	SCREW-Thread Form. (#10 X 3/4")	1
16	UP 06718	SHROUD	1

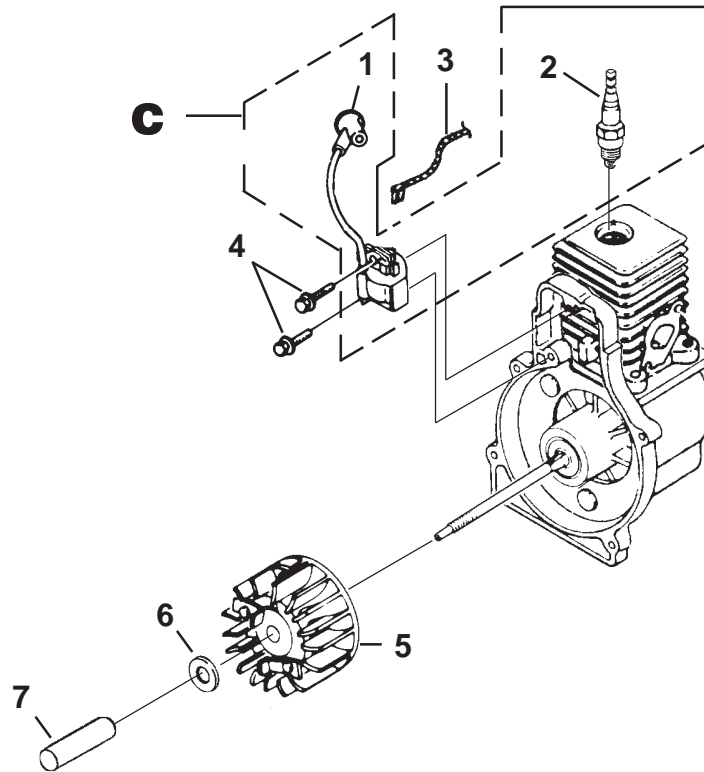
TORQUE SPECIFICATIONS			
Iten No.	In/Lbs	Nm	Required Loctite
4	55-65	6.2-7.3	262 Red
9	55-65	6.2-7.3	262 Red
14	8-12	.9-1.4	
15	20-30	2.3-3.4	

Warranty Flat Rate		
Job#	Description	Time/hr.
CB20	Short Block	1.0
CB10	Partial Eng. Rebuild	1.0
CD22	Engine Shroud	.3
CB21	Crankcase Cover	.3
BackPacker		
CB20	Short Block	1.3
CB10	Partial Eng. Rebuild	1.3
CA16	Lead Wire	.5

* Also included with Cylinder Kits.

BackPacker™ (25cc)
 Yard Sweeper™ Vac ... (25cc)

IGNITION with ROTOR



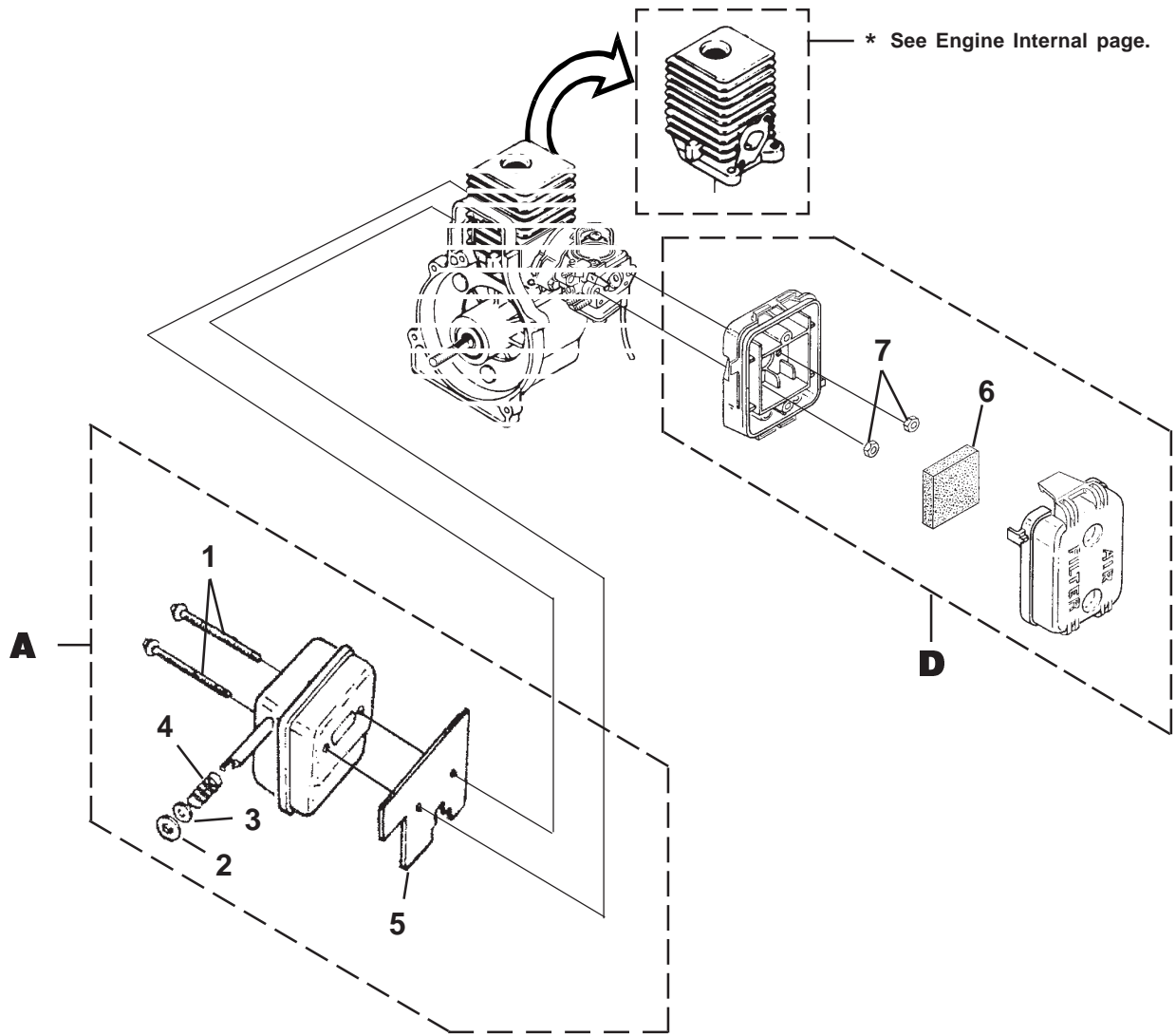
NO.	PART NO.	DESCRIPTION	QTY.
C	•UP 06784	IGNITION KIT w/ Module	1
1	UP 03868	TERMINAL-Hi-Tension	1
2	UP 05875	SPARK PLUG	1
3	UP 06782	CABLE-Throttle w/Ignition Leads (BackPacker)	1
	UP 08026	Lead-Ignition to Switch (Yard Sweeper)	1
4	UP 03896	SCREW-Thread Form. (8-32 x 1")	2
5	UP 07817	ROTOR & STARTER PAWLS	1
6	UP 03906	WASHER-Flat	1
7	UP 03854	SPACER-Fan	1

TORQUE SPECIFICATIONS			
Item No.	In/Lbs	Nm	Required Loctite
2	120-180	13.6-20.3	
4	30-40	3.4-4.5	242 Blue

Warranty Flat Rate		
Job#	Description	Time/hr.
FA11	Solid State Ignition	.7
FA11	Solid State Ignition (BackPacker)	.9

BackPacker™ (25cc)
 Yard Sweeper™ Vac ... (25cc)

MUFFLER and AIR CLEANER



NO.	PART NO.	DESCRIPTION	QTY.
A	•UP 06711	MUFFLER-Complete	1
1	UP 03902	SCREW-Sems Hex Hd. (10-24 x 2 1/2")	2
2	UP 03813	WASHER-Insulating	1
3	UP 03901	WASHER-Flat	1
4	UP 03814	SPRING-Compression	1
5	UP 03817	GASKET-Muffler *	1
D	•UP 06715	AIR FILTER KIT	1
6	UP 00012	AIR FILTER	1
7	UP 03885	NUT-Hex (10-24)	2

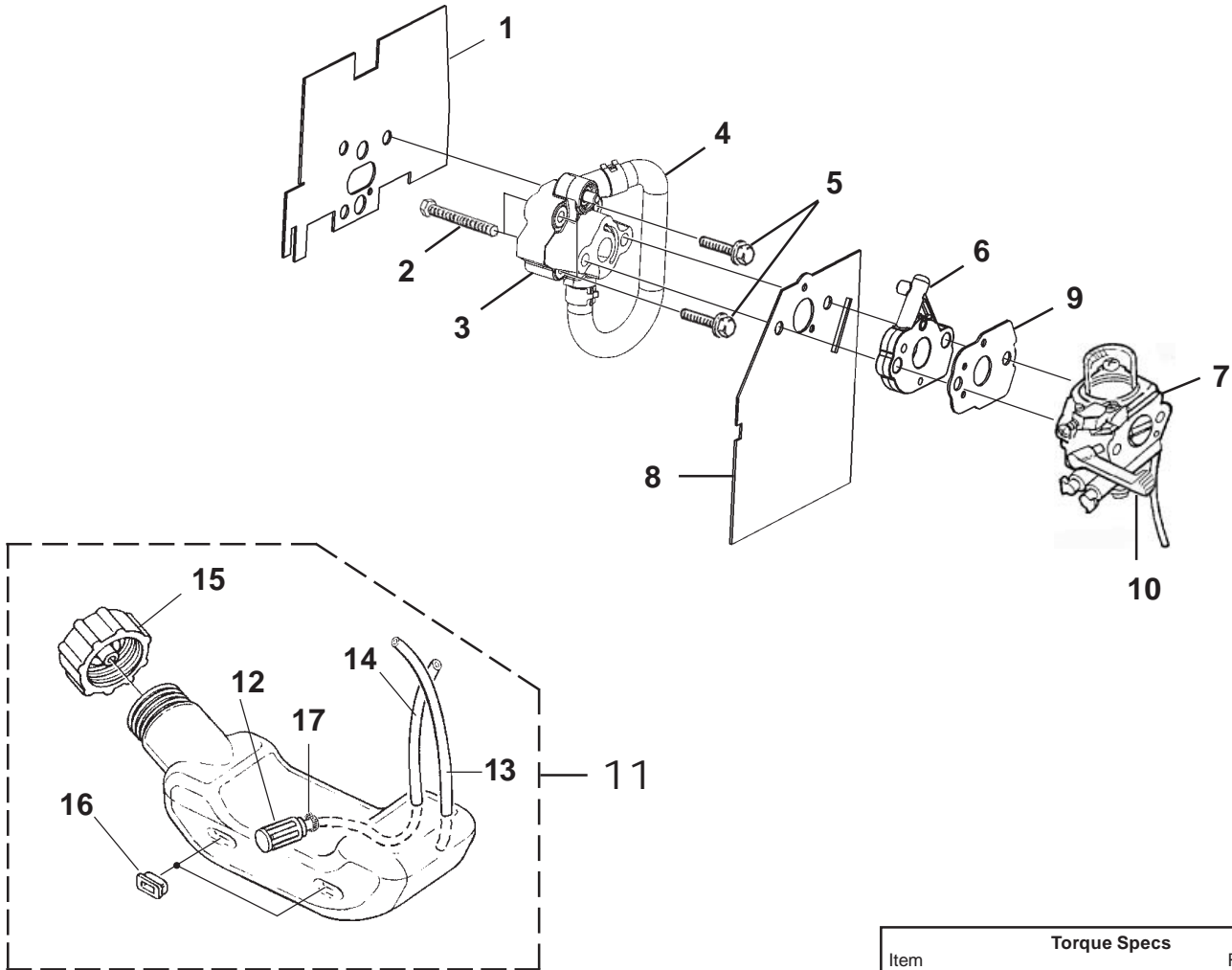
TORQUE SPECIFICATIONS			
Item No.	In/Lbs	Nm	Required Loctite
1	40-50	4.5-5.6	
7	30-40	3.4-4.5	

Warranty Flat Rate		
Job#	Description	Time/hr.
CB18	Muffler	.3
CF42	Air Filter Cover/Body	.2

* Also included with Short block & Cylinder Kits.

BackPacker™ (25cc)
 Yard Sweeper™ Vac ... (25cc)

CARBURETOR and FUEL TANK



Item No.	Torque Specs		Required Loctite
	In/Lbs	Nm	
2	30-40	3.4-4.5	
5	40-50	4.5-5.6	Red 262

Warranty Flat Rate		
Job	Description	Time/Hr.
FF17	Manifold	.3
FF10	Carburetor Rep.	.3
FF16	Fuel Tank	.3
FF12	Fuel/Return Line	.3

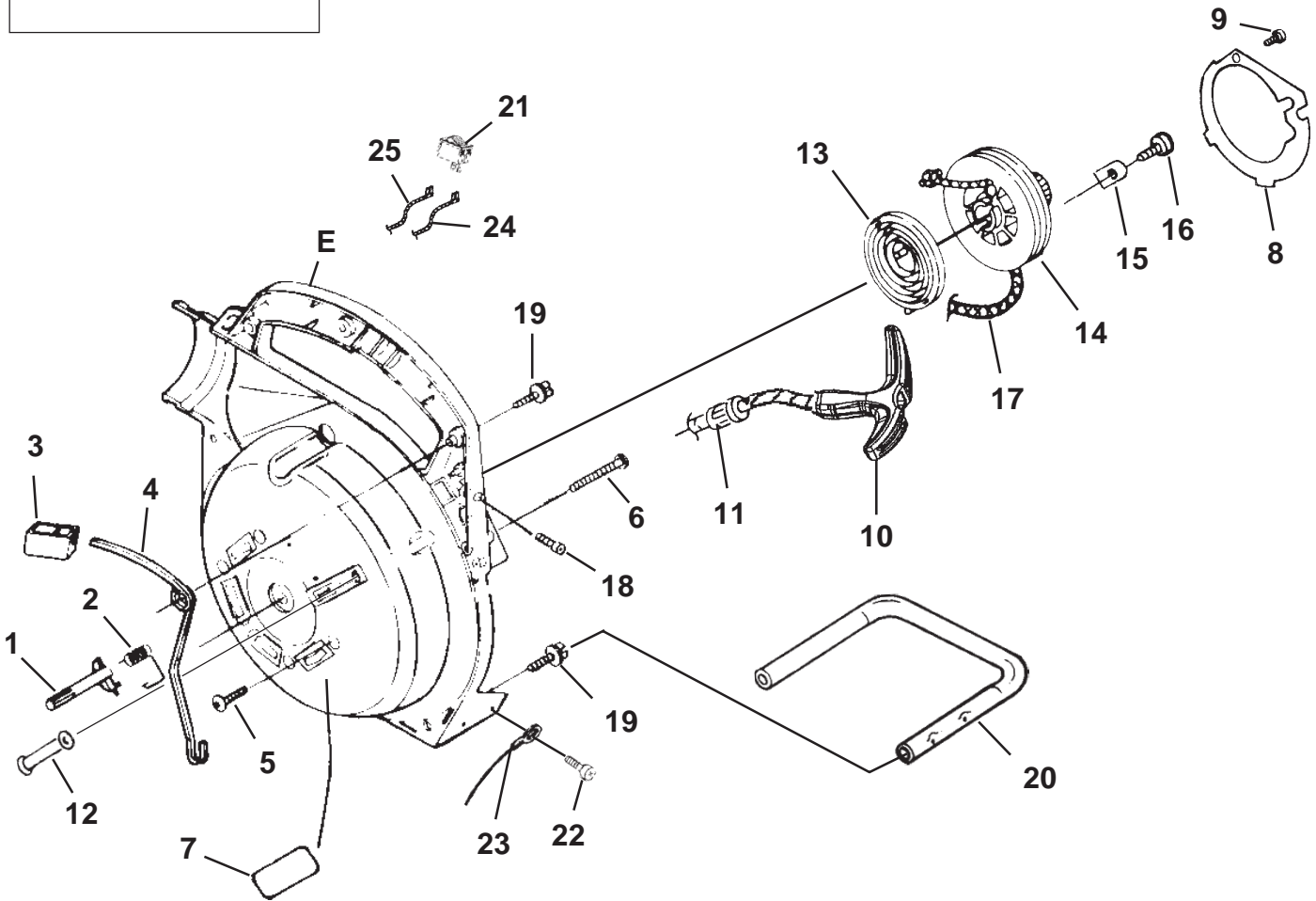
No.	Part No.	Description	Qty.
1	UP 06339	GASKET-Heat Dam to Cylinder	1
2	UP 04307	SCREW-Shoulder	2
3	•UP 06344	HEAT DAM Complete	1
4	UP 06337	TUBE-Tuned	1
5	UP 04140	SCREW-Sems (10-24 x 1")	3
6	UP 06338	ADAPTOR	1
7	•UP 06713	CARBURETOR KIT (Yard Sweeper)	1
8	UP 06333	GASKET-Adaptor to Heat Dam	1
9	UP 06335	GASKET-Adaptor to Carburetor	1
10	UP 05810	LEVER-Choke	1
7	•UP 06783	CARBURETOR KIT (BackPacker)	1
8	UP 07816	GASKET-Adaptor to Heat Dam	1
9	UP 06335	GASKET-Adaptor to Carburetor	1
10	UP 05810	LEVER-Choke	1

No.	Part No.	Description	Qty.
11	•UP 06717	FUEL TANK ASSY.	1
12	UP 03871	FILTER-Fuel	1
13	UP 07820	TUBING-Rubber (6")	1
14	UP 07821	TUBING-Rubber (6 3/4")	1
15	UP 04708	FUEL CAP	1
16	UP 03501	BUMPER-Rubber	3
17	UP 03913	CLAMP	1

4/10/2001

Yard Sweeper™ Vac ... (25cc)

STARTER



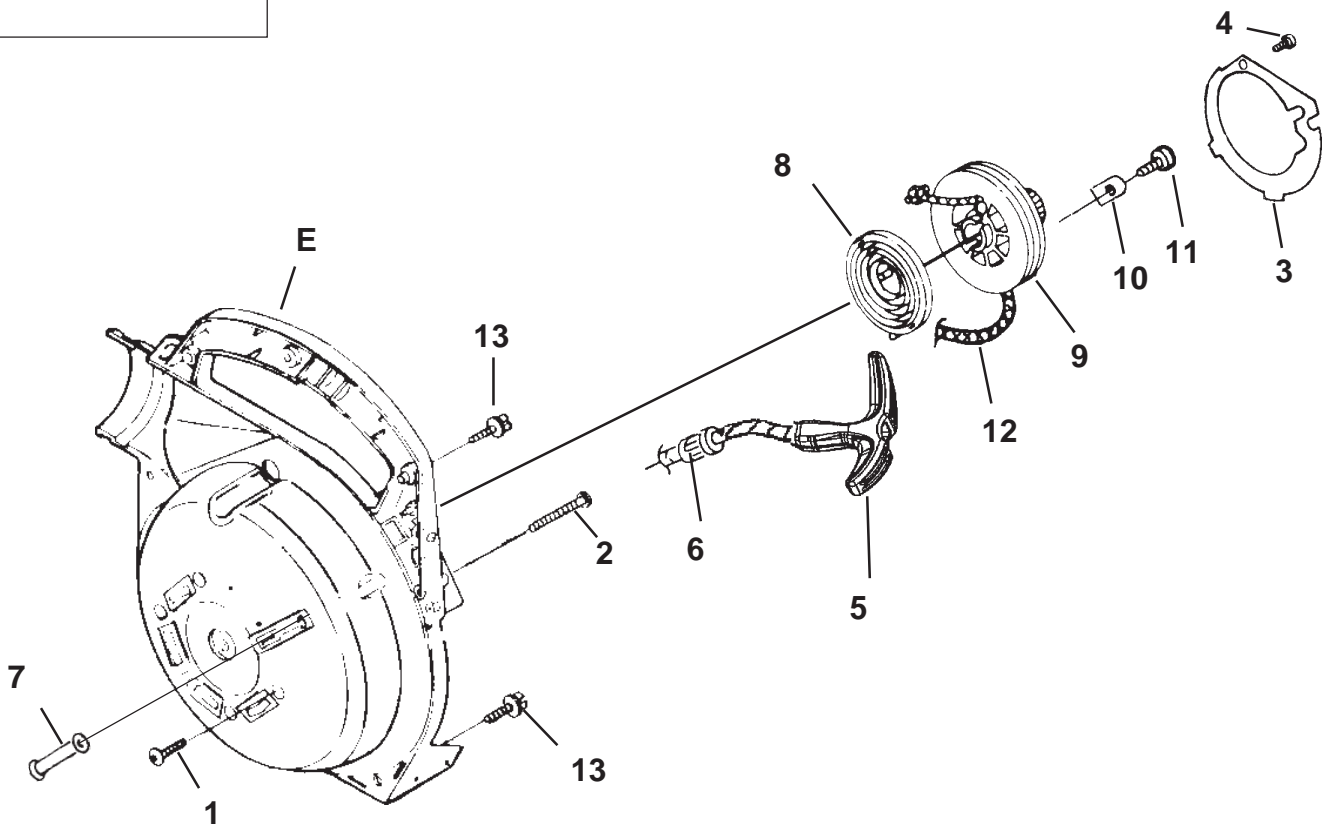
NO.	PART NO.	DESCRIPTION	QTY.
1	UP 07818	LATCH-Throttle	1
2	UP 03811	SPRING-Throttle Latch	1
3	UP 03798	TRIGGER-Throttle	1
4	UP 07819	LEVER-Throttle	1
5	UP 03406	SCREW-Thread Form. (10-24 X 3/4")	4
6	UP 03869	SCREW-Thread Form. (#10 X 1 5/8")	1
E	•UP 06716	VOLUTE HOUSING & STARTER	1
7	UP 03822	KIT-Sealing	1
8	UP 04279	PLATE-Rotor	1
9	UP 03894	SCREW-Thread Form. (#6 X 1 3/8")	1
10	UP 03026	GRIP-Starter (Yellow)	1
11	UP 03910	BUSHING-Starter	1
12	UP 03809	GUIDE-Starter Rope	1
13	UP 03917	SPRING & CONTAINER	1
14	UP 04349	PULLEY-Starter	1
15	UP 03919	BRACKET-Retaining	2
16	UP 03897	SCREW-Thread Form. (#10 X 1/2")	2
17	UP 03911	ROPE-Starter	1
18	UP 03887	SCREW-Phil. Hd. (8-32 X 5/8")	1
19	UP 03900	SCREW-Thread Form. (10-24 X 3/4")	5
20	UP 03816	HANDLE	1
21	UP 05271	SWITCH-Momentary	1
22	UP 03889	SCREW	2
23	UP 03823	LEAD-Ground	1
24	UP 08027	Lead-Ground to Switch	1
25	UP 08026	Lead-Ignition to Switch	1

TORQUE SPECIFICATIONS			
Item No.	In/Lbs	Nm	Required Loctite
5	55-60	6.2-6.8	
6	20-30	2.3-3.4	
9	8-12	9-1.4	
16	30-40	3.4-4.5	
18	20-30	2.3-3.4	
19	20-30	2.3-3.4	

Warranty Flat Rate		
Job#	Description	Time/hr.
CF13	Throttle Trigger	.4
CG10	Starter Assy	.8
CD18	Volute Hsg. Inner	.7
FD20	Handle Replace	.3

BackPacker™ (25cc)

STARTER



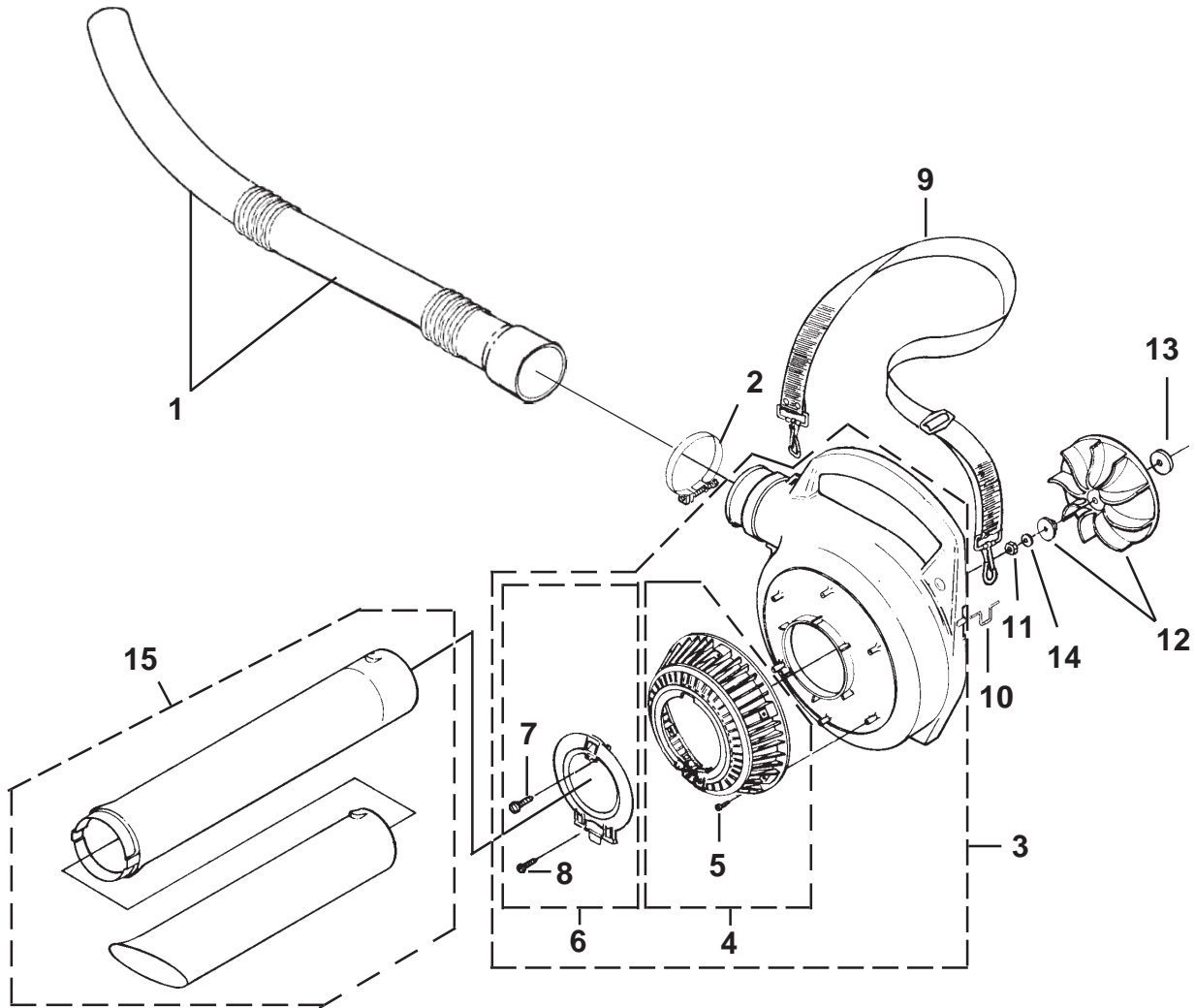
NO.	PART NO.	DESCRIPTION	QTY.
1	UP 03406	SCREW-Thread Form. (10-24 X 3/4")	4
2	UP 03869	SCREW-Thread Form. (#10 X 1 5/8")	1
E	UP 07165	VOLUTE HOUSING & STARTER	1
3	UP 04279	PLATE-Rotor	1
4	UP 03894	SCREW-Thread Form. (#6 X 1 3/8")	1
5	UP 03026	GRIP-Starter (Yellow)	1
6	UP 03910	BUSHING-Starter	1
7	UP 03809	GUIDE-Starter Rope	1
8	UP 03917	SPRING & CONTAINER	1
9	UP 04349	PULLEY-Starter	1
10	UP 03919	BRACKET-Retaining	2
11	UP 03897	SCREW-Thread Form. (#10 X 1/2")	2
12	UP 03911	ROPE-Starter	1
13	UP 03900	SCREW-Thread Form. (10-24 X 3/4")	5

TORQUE SPECIFICATIONS			
Item No.	In/Lbs	Nm	Required Loctite
1	55-60	6.2-6.8	
2	20-30	2.3-3.4	
4	8-12	9-1.4	
11	30-40	3.4-4.5	
13	20-30	2.3-3.4	

Warranty Flat Rate		
Job#	Description	Time/hr.
CG10	Starter Assy (Backpacker™)	1.0
CD18	Volute Hsg. Inner (Backpacker™)	.9
CF13	Throttle Cable/Trigger (Backpacker™)	.5

Yard Sweeper™ Vac ... (25cc)

VOLUTE, FAN & TUBES



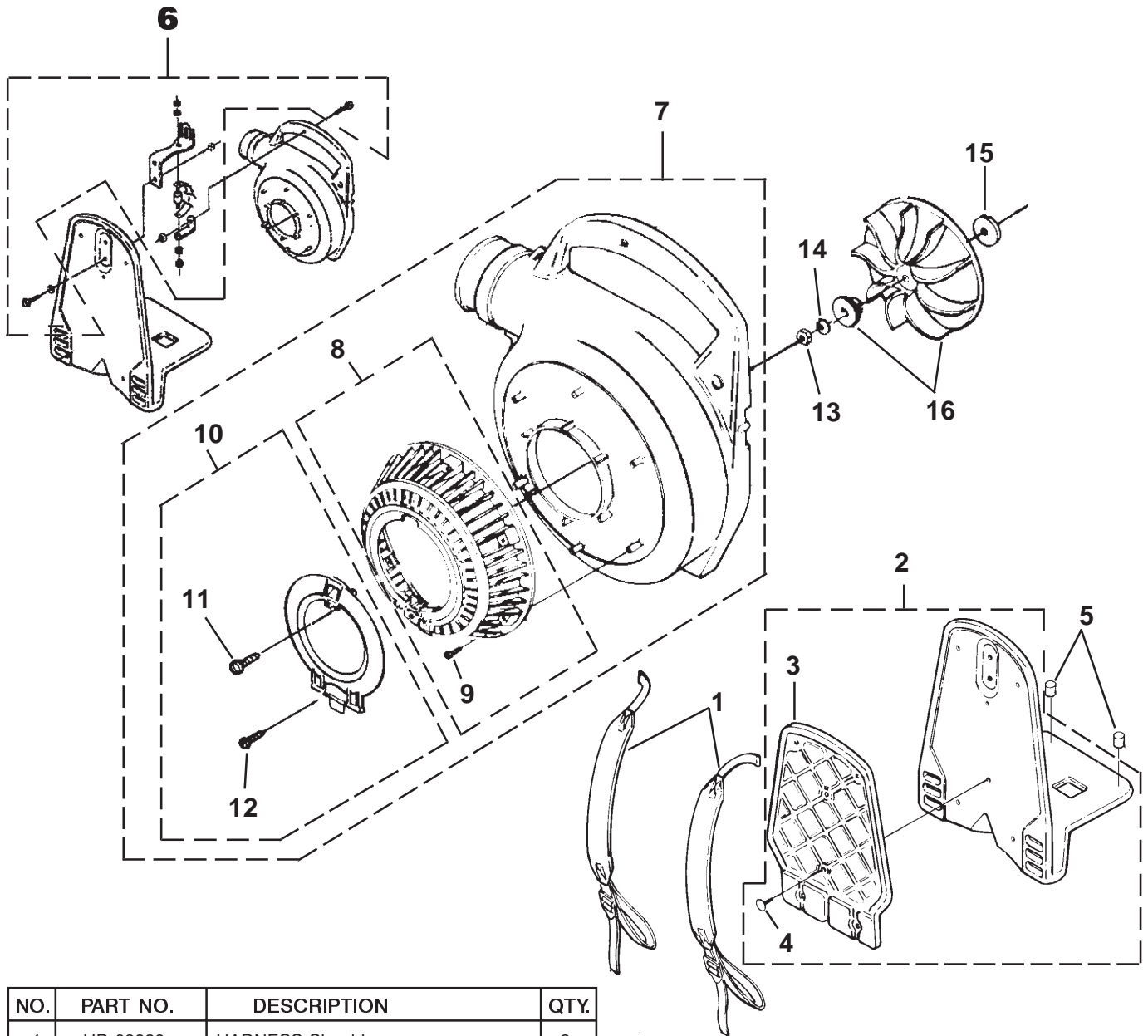
NO.	PART NO.	DESCRIPTION	QTY.
1	UP 05585	BLOWER TUBE KIT	1
2	UP 03821	CLAMP w/Fasteners	1
3	•UP 03861	VOLUTE HOUSING KIT	1
4	•UP 06720	BLOWER VAC GRILLE KIT	1
5	UP 03894	SCREW-Thread Form. (#6 X 3/8")	6
6	•UP 06613	ACCESS DOOR KIT	1
7	UP 03888	SCREW-Thread Rolling (#10 X 5/8")	1
8	UP 03893	SCREW-Thread Form. (#8 X 1/2")	1
9	UP 06723	SHOULDER STRAP	1
10	UP 03818	WIRE LOOP	1
11	UP 03884	NUT-Hex (3/8-24)	1
12	UP 06826	BLOWER FAN KIT	1
13	UP 03836	WASHER-Flat	2
14	UP 03835	WASHER-Bellville (3/8")	1
15	UP 06705	TUBE Kit w/Decals (Vacuum units only)	1

TORQUE SPECIFICATIONS			
Item No.	In/Lbs	Nm	Required Loctite
5	8-12	.9-1.4	
7	10-20	1.1-2.3	
8	8-12	.9-1.4	
11	130-150	14.7-16.9	

Warranty Flat Rate		
Job#	Description	Time/hr.
CD81	Fan, Blower	.5
CD17	Volute Hsg (Outer)	.5
CD24	Grill/Cover- Blower Vac	.3
CD95	Tubes	.3

BackPacker™ (25cc)

BACK PACK, TUBE KIT & HANDLE



NO.	PART NO.	DESCRIPTION	QTY.
1	UP 03829	HARNESS-Shoulder	2
2	• UP 04405	FRAME-Blower	1
3	UP 06884	PAD-Foam	1
4	UP 03830	CLIP-Push	6
5	UP 03826	VIBRATION ISOLATOR	2
6	UP 06885	VIBRATION ISOLATOR KIT (One included in #6 kit)	1
7	• UP 03861	VOLUTE HOUSING KIT	1
8	• UP 06720	BLOWER VAC GRILLE KIT	1
9	UP 03894	SCREW-Thread Form. (#6 X 3/8")	6
10	• UP 06613	ACCESS DOOR KIT	1
11	UP 03888	SCREW-Thread Rolling (#10 X 5/8")	1
12	UP 03893	SCREW-Thread Form. (#8 X 1/2")	1
13	UP 03884	NUT-Hex (3/8-24)	1
14	UP 03835	WASHER-Bellville (3/8")	1
15	UP 03836	WASHER-Flat	2
16	UP 06826	BLOWER FAN KIT	1

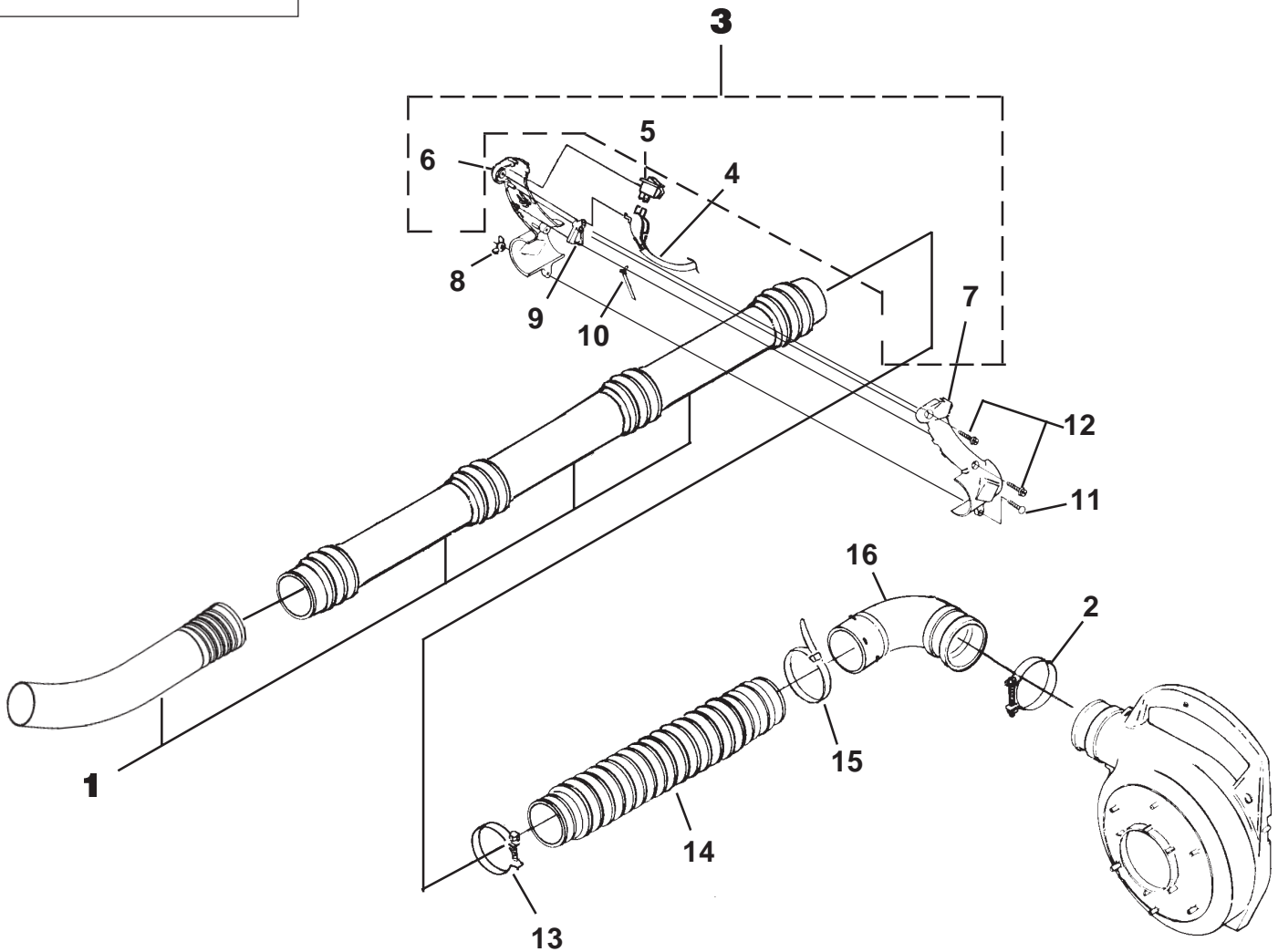
TORQUE SPECIFICATIONS			
Item No.	In/Lbs	Nm	Required Loctite
9	8-12	9-1.4	
11	10-20	1.1-2.3	
12	8-12	9-1.4	
13	130-150	14.7-17.0	

Warranty Flat Rate		
Job#	Description	Time/hr.
CD17	Volute Hsg (Outer)	.7
CD81	Fan, Blower	.7
CD24	Grill/Cover	.4
CS16	Backpack Frame/Wire Stand	.3

4/10/2001

BackPacker™ (25cc)

TUBES



NO.	PART NO.	DESCRIPTION	QTY.
1	UP 07714	BLOWER TUBE KIT	1
2	UP 07167	CLAMP	2
3	UP 03794	HANDLE & SWITCH KIT	1
4	UP 06782	CABLE-Throttle w/ Ignition Leads	1
5	UP 03833	SWITCH	1
6	UP 04300	HANDLE-Control (Right)	1
7	UP 04301	HANDLE-Control (Left)	1
8	UP 03886	NUT - Wing (10-24)	1
9	UP 04346	TRIGGER	1
10	UP 03908	LATCH-Trigger	1
11	UP 03892	BOLT-Rib Neck, Rnd. Hd. (10-24 X 7/8")	1
12	UP 03900	SCREW-Thread Form. (10-14 X 3/4")	2
13	UP 03819	CLAMP (#87)	1
14	UP 03827	BELLOWS-Plastic	1
15	UP 04568	CABLE-Tie	1
16	UP 04297	ELBOW-Curved	1

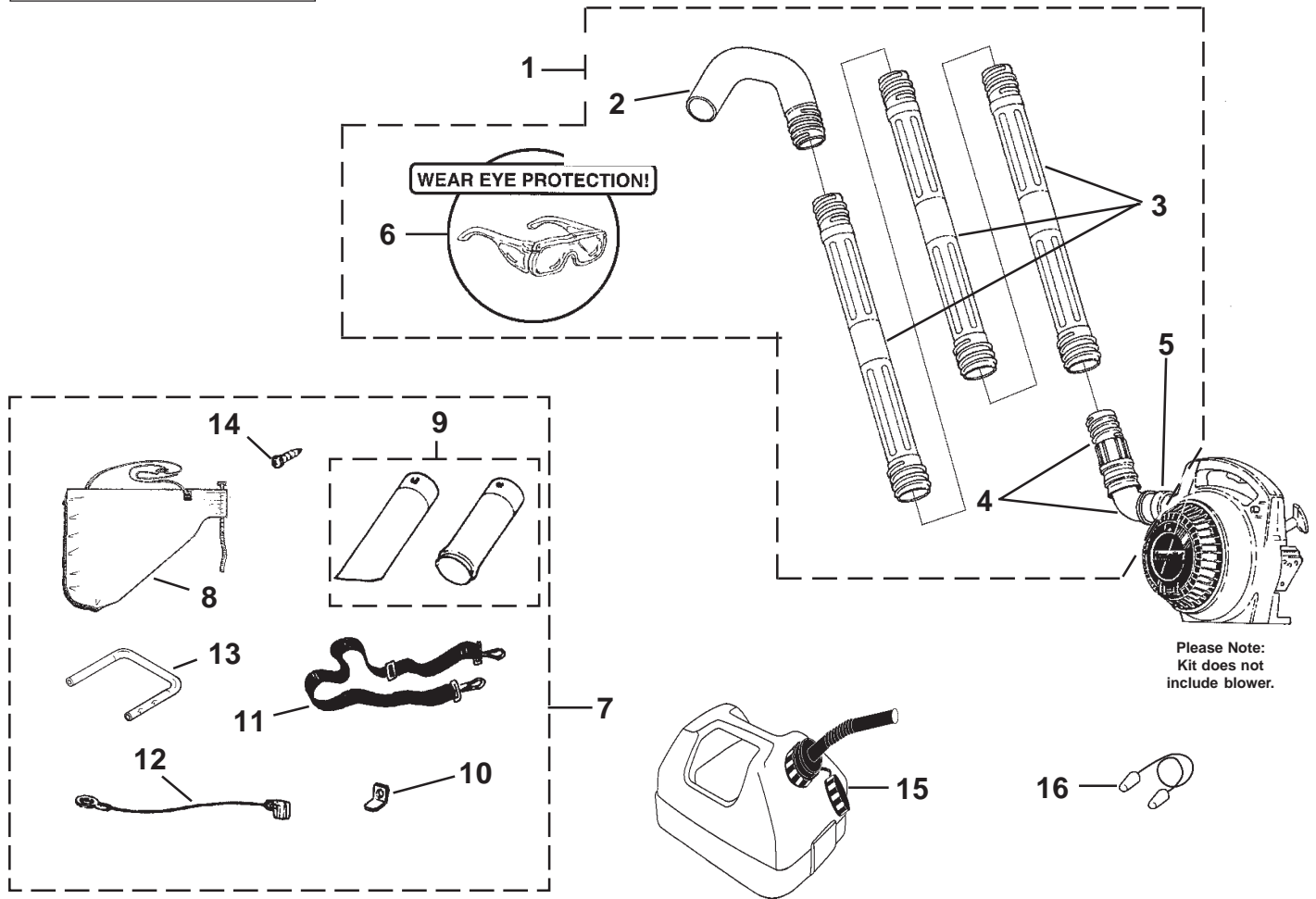
TORQUE SPECIFICATIONS			
Item No.	In/Lbs	Nm	Required Loctite
12	20-30	2.3-3.4	

Warranty Flat Rate		
Job#	Description	Time/hr.
FA17	Ign. Switch/Lead	.3
CF21	Pistol Grip Assy.	.3
CF13	Throttle Cable	.5
CD95	Tubes	.3
CA16	Lead Wire	.5

NOTE: See Page 9 for part numbers for Volute Housing & Grille Kits.

BackPacker™ (25cc)
Yard Sweeper™ Vac ... (25cc)

TUBES - ACCESSORIES



Please Note:
Kit does not
include blower.

NO.	PART NO.	DESCRIPTION	QTY.
1	A 07069 A	GUTTER MAINTENANCE KIT (Yard Sweeper)	1
2	UP 06830	FULL ELBOW	1
3	UP 05618	STRAIGHT TUBE	3
4	UP 06836	UPPER ELBOW & SWIVEL ADAPTER	1
5	UP 03821	CLAMP w/Fasteners	1
6	UP 06835	SAFETY GLASSES-Clear	1
7	UP 04152	VACUUM KIT (Yard Sweeper)	1
8	UP 04548	LEAF BAG	1
9	UP 06705	VACUUM TUBE KIT w/ Decal	1
10	UP 03834	TAB-Male	1
11	UP 06723	HARNESS-Shoulder	1
12	UP 03823	LEAD-Ground	1
13	UP 03816	HANDLE	1
14	UP 03889	SCREW	1
15	A 02976 A	GAS CAN 1 1/4 Gallon	
16	UP 06839	EAR PLUGS	
17	UP 06835	SAFETY GLASSES-Clear	
18	01231 D	EXACT MIX™ Oil - 1 pint (50:1)	
19	08581	EXACT MIX™ Oil - 2.6 oz. (50:1)	
20	UP 06778	GOGGLES	
21	UP 07694	EAR PROTECTORS	

4/10/2001

For Parts Call 606-678-9623 or 606-561-4983

For product information, technical help, dealer locations or parts ordering information visit our website at:
www.homelite.com.

John Deere Consumer Products Limited
Produits Consommateurs John Deere Limitée
1850-55e/th Avenue
Lachine, Québec, Canada H8T 3J5
tel: 1-514-636-5900 / fax: 1-514-636-9966

John Deere Consumer Products International B.V.
Haverstraat 24
2153 GB Nieuw Vennepe
The Netherlands
tel: +31-252-687342 / fax: +31-252-687993

John Deere Limited
A.C.N. 008 671 725
166-170 Magnesium Drive
Crestmead, Queensland 4132
Australia
tel: 61-7-3802-3222 / fax: 61-7-3803-6555

JOHN DEERE
WORLDWIDE COMMERCIAL & CONSUMER EQUIPMENT DIVISION
4401 Bland Road, Suite 200
Raleigh, NC 27609

Phone 1-800-537-8233

www.mymowerparts.com