



## Brushcutter

Model No. 51990—250000001 & Up

### Parts Catalog

---

#### **Ordering Replacement Parts**

To order replacement parts, please supply: the part number, the quantity, and the description of each part.

#### **Understanding Reference Numbers**

Each identified part in an illustration has a reference number. The reference number for a part also appears in the list, along with other information about the part.

#### **Understanding Figure Numbers**

This catalog uses two special reference number formats, one to indicate parts in a service assembly and another to indicate a Figure Number.

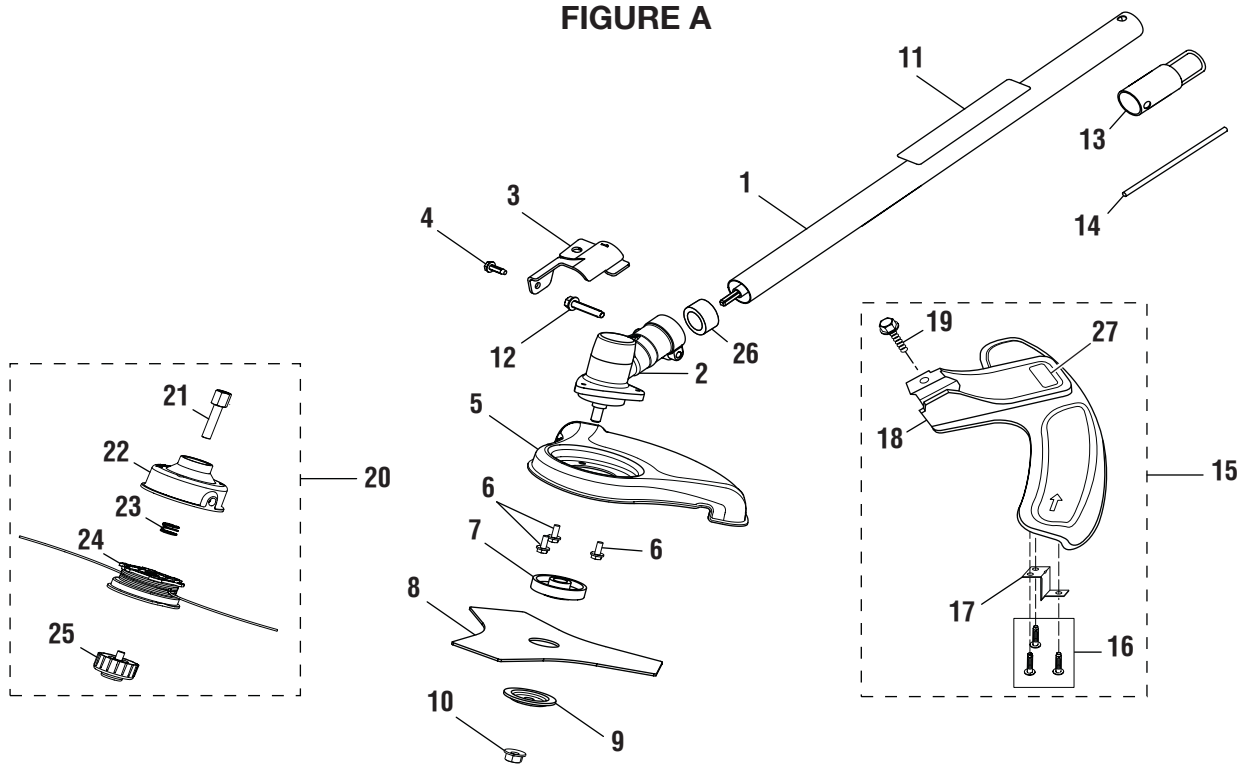
Figure Numbers are represented as a Sub-Assembly which follow the exploded views.

Sub-Assemblies can be ordered as an Assembly or you may order any part individually.

© The Toro Company - 2004  
All Rights Reserved

**TORO BRUSHCUTTER - MODEL NUMBER 51990**

**FIGURE A**

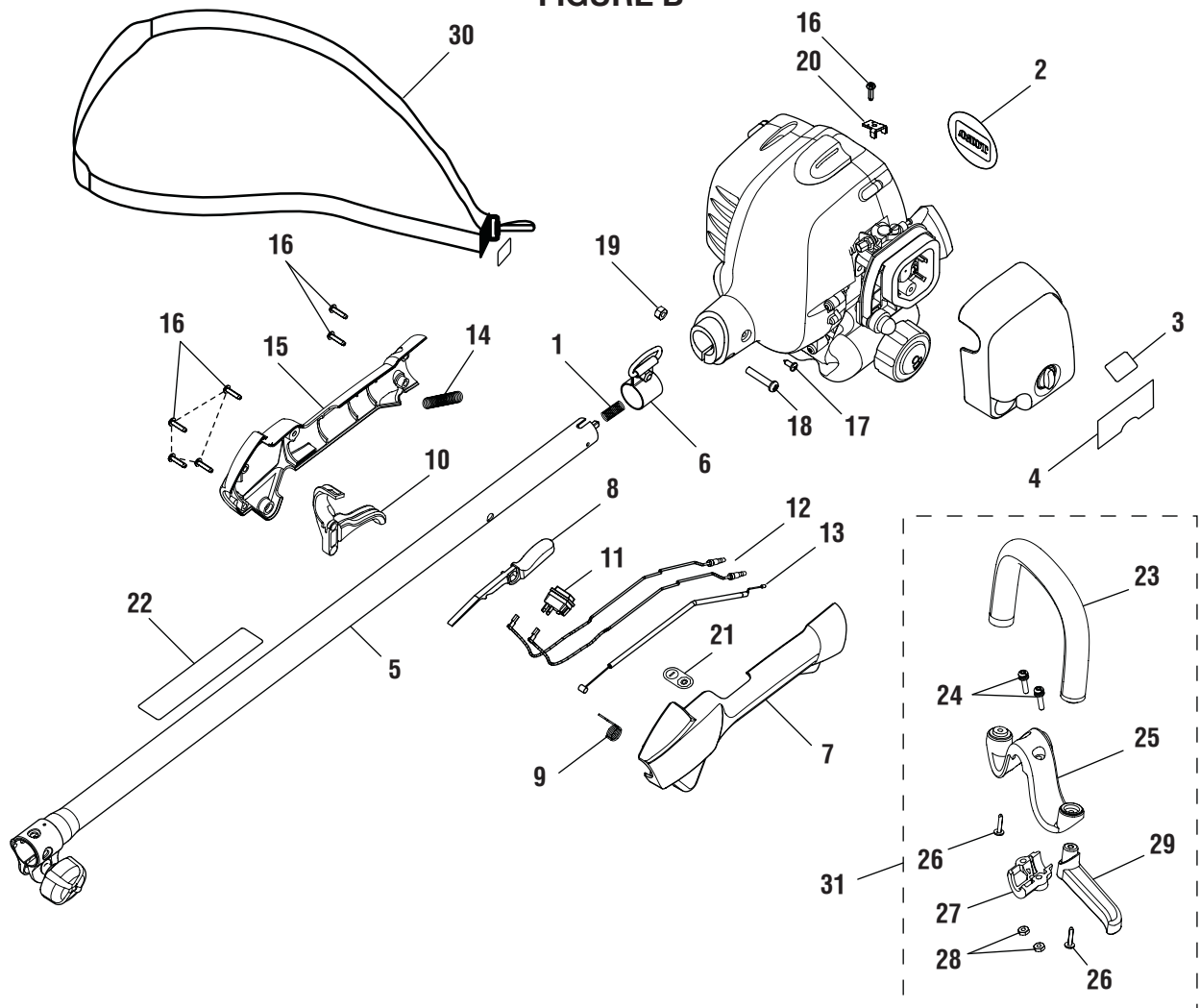


KEY NO.	PART NUMBER	DESCRIPTION	QTY.
1	985572001	STRAIGHT SHAFT ASSEMBLY .....	1
2	PA01364	GEAR CASE ASSEMBLY .....	1
3	PS04420	GRASS DEFLECTOR CLAMP .....	1
4	983774003	SCREW (#10-24 X 5/8 in. HEX WASHER HD.) .....	1
5	PS03538	BLADE GUARD.....	1
6	88049	SCREW (#10-24 X 1/2 in. SEMS SLOTTED HEX HD.) .....	3
7	04168A	FLANGED WASHER .....	1
8	06297	BLADE (TRI-ARC™).....	1
9	04409	CUPPED WASHER .....	1
10	04277	BLADE NUT, LEFT-HANDED THREADS.....	1
11	984102001	WARNING LABEL.....	1
12	983381007	SCREW .....	1
13	PS02155	HANGER CAP.....	1
14	00063	HEAD LOCKING TOOL.....	1
15	984443003	GRASS DEFLECTOR ASSEMBLY .....	1
16	82543	SCREW.....	3
17	PS04379	LINE CUTTING BLADE.....	1
18	984099001	GRASS DEFLECTOR.....	1
19	983379078	SCREW (#1/4-20 X 1-1/4 in. HEX WASHER HD.) .....	1
20	983797001	TRIMMER HEAD ASSEMBLY .....	1
21	PS04438	TRIMMER HEAD SHAFT ADAPTOR .....	1
22	A98231A	TRIMMER HEAD.....	1
23	06713	COMPRESSION SPRING .....	1
24	984238001	SPOOL WITH LINE (.095) .....	1
25	A97910A	RETAINING CAP, LEFT-HANDED THREAD .....	1
26	985625001	SPACER.....	1
27	983649001	GRASS DEFLECTOR LABEL.....	1

To locate a source for replacement parts,  
contact us toll free at 1-866-574-9242 (US) or 1-866-574-9243 (Canada).

**TORO BRUSHCUTTER - MODEL NUMBER 51990**

**FIGURE B**



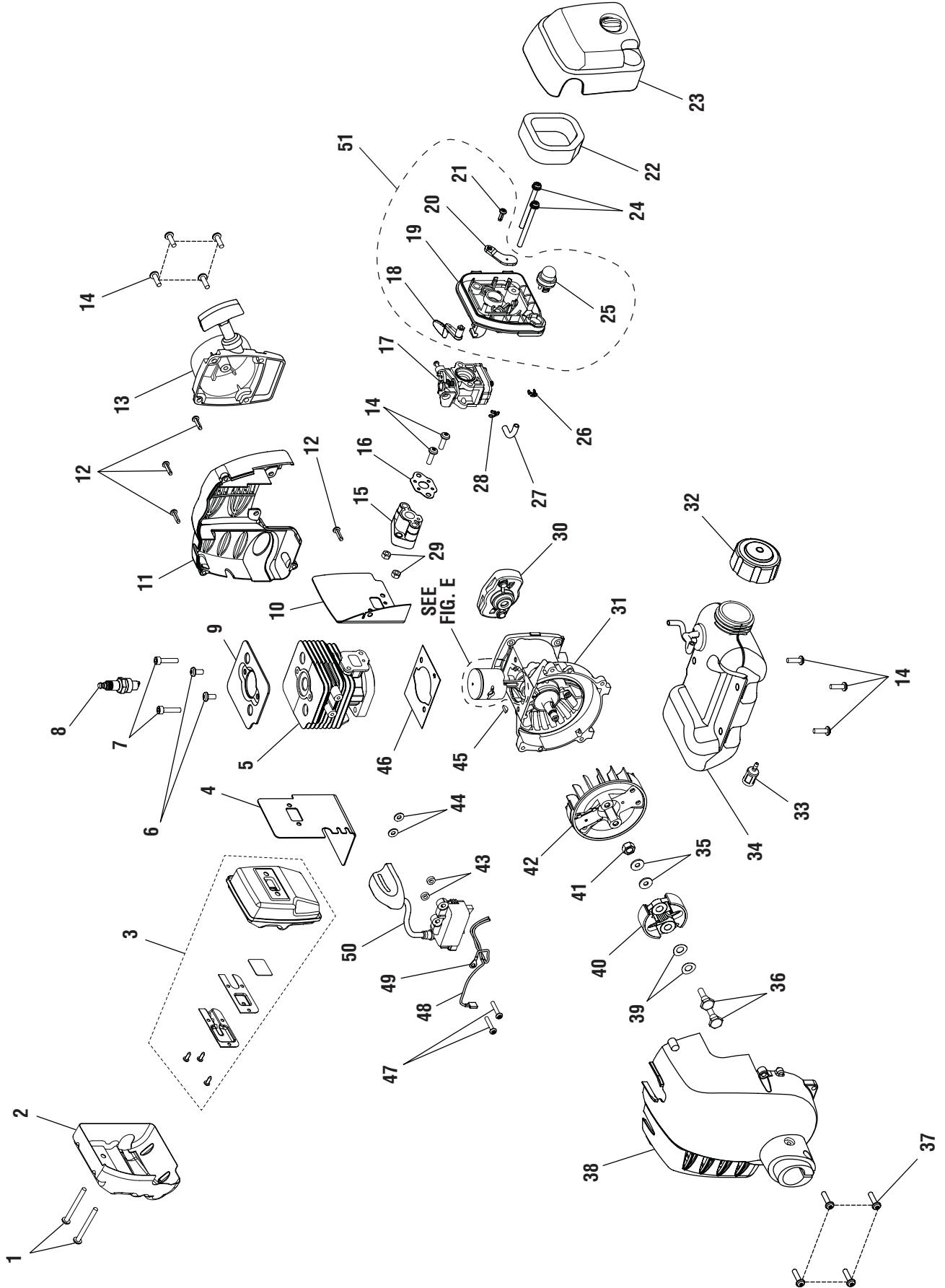
KEY PART NO. NUMBER	DESCRIPTION	QTY.
1 984106001	COMPRESSION SPRING.....	1
2 983646001	LOGO PLATE.....	1
3 983647001	UPPER START LABEL.....	1
4 983648001	LOWER START LABEL.....	1
5 985571001	UPPER SHAFT ASSEMBLY .....	1
6 07255	HANGER BRACKET.....	1
7 983621001	REAR HANDLE SUPPORT.....	1
8 983623001	LOCK-OFF BUTTON.....	1
9 983624001	TRIGGER SPRING .....	1
10 983620001	TRIGGER.....	1
11 984236002	SWITCH WITH DUST SHIELD ..	1
12 983782001	LEAD .....	2
13 983635001	CABLE, THROTTLE.....	1
14 983632003	CORRUGATED TUBE.....	1
15 983622001	REAR HANDLE COVER .....	1
16 6656301	SCREW (M4 X 16 mm) .....	7
17 82541	SCREW (#10-14 X 1/2 in. TRI-LOBULAR).....	1

KEY PART NO. NUMBER	DESCRIPTION	QTY.
18 983799023	SCREW (M6 X 1-30 mm).....	1
19 983619015	HEX NUT .....	1
20 985255001	THROTTLE CABLE CLAMP .....	1
21 984240001	ON/OFF LABEL .....	1
22 984102001	WARNING LABEL .....	1
23 984439001	ASSIST HANDLE W/GRIP.....	1
24 PS04159	SCREW (#12-24 X 1 in. SEMS) ..	2
25 PS04070	M CLAMP .....	1
26 82620	SLOTTED TORX SCREW .....	2
27 PS04072	CLAMP .....	1
28 81068	HEX NUT (12-24).....	2
29 PS04071	BARRIER BAR.....	1
30 983961001	HARNES ASM. W/LABEL .....	1
31 983798002	ASSIST HANDLE W/BARRIER..	1
983000661	OPERATOR'S MANUAL	
983000661R	REPAIR SHEET	

To locate a source for replacement parts,  
contact us toll free at 1-866-574-9242 (US) or 1-866-574-9243 (Canada).

— TORO BRUSHCUTTER - MODEL NUMBER 51990 —

FIGURE C



**TORO BRUSHCUTTER – MODEL NUMBER 51990**

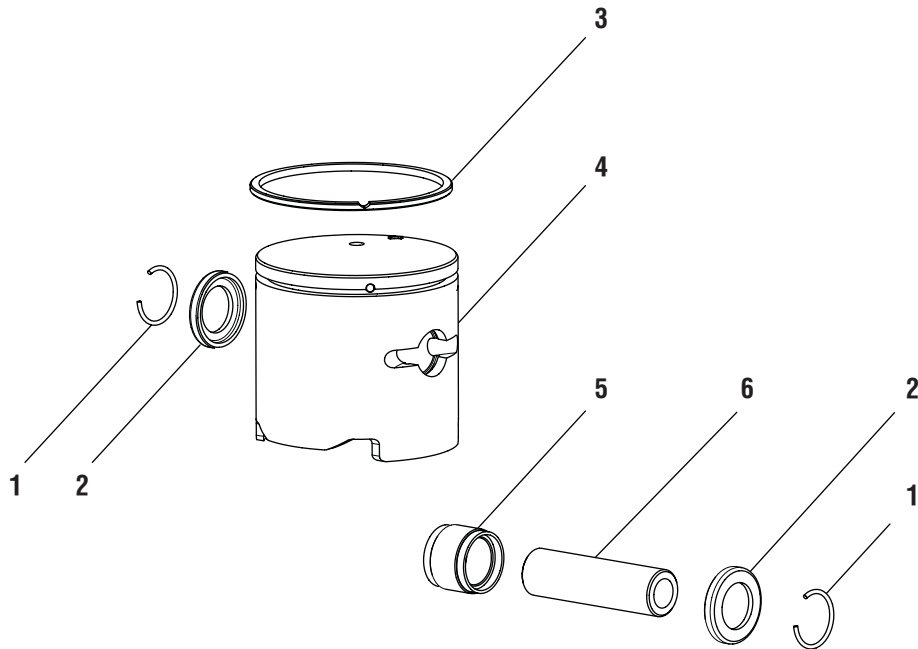
**FIGURE C - PARTS LIST**

<b>KEY PART NO. NUMBER</b>	<b>DESCRIPTION</b>	<b>QTY.</b>	<b>KEY PART NO. NUMBER</b>	<b>DESCRIPTION</b>	<b>QTY.</b>		
1	983660057	SCREW (M5 X 50 mm TORX SLOTTED RECESSED PAN HD.) ...	26	6970001	HOSE CLIP .....	2	1
2	985091001	HEAT SHIELD.....	27	5688002	FUEL LINE.....	1	1
3	300748015	MUFFLER ASSEMBLY .....	28	6969901	HOSE CLIP .....	1	1
4	6300206	MUFFLER GASKET.....	29	983619014	NUT (M5 x .8 mm).....	2	2
5	640570016	CYLINDER .....	30	4300401	PULLEY ASSEMBLY .....	1	1
6	983660005	SCREW (M5 X 10 in. TORX RECESSED PAN HD.) .....	31	300749003	CRANKCASE ASSEMBLY.....	2	1
7	6634201	SCREW (M5 X 22 mm SOCKET HD.).....	32	A09116	FUEL CAP ASSEMBLY .....	2	1
8	8714402	SPARK PLUG.....	33	PS03380	FUEL FILTER.....	2	1
9	6300221	CYLINDER PLATE.....	34	3075702	FUEL TANK ASSEMBLY (INCLUDES KEY NOS. 32 & 33).....	2	1
10	9071102	INSULATOR GASKET .....	35	983788071	WASHER.....	2	2
11	5947001	ENGINE HOUSING, REAR.....	36	6635301	CLUTCH SCREW.....	2	2
12	6656301	SCREW (M4 X 16 mm TORX RECESSED PAN HD.).....	37	6634401	SCREW (M5 X 20 mm TORX SLOTTED RECESSED PAN HD.) ...	4	4
13	3075304	STARTER RECOIL ASSEMBLY .....	38	3075403	FRONT HOUSING ASSEMBLY .....	1	1
14	6635101	SCREW (M5 X 16 mm Torx SLOTTED RECESSED PAN HD.) ...	39	6969601	CURVED WASHER .....	9	2
15	5994701	HEAT DAM INSULATOR .....	40	3075601	CLUTCH ASSEMBLY .....	1	1
16	9071103	CARBURETOR GASKET.....	41	6968901	ROTOR NUT .....	1	1
17	985473001	CARBURETOR ASSEMBLY .....	42	6457401	ROTOR.....	1	1
18	5945801	CHOKE LEVER.....	43	5946201	IGNITION COIL SPACER .....	1	2
19	5994501	CARBURETOR PLATE .....	44	982719005	WASHER (3/16 x 3/64).....	1	2
20	5994601	CHOKE PLATE .....	45	983784006	WOODRUFF KEY (10 mm X 3 mm).....	1	1
21	983645005	SCREW (M4 X 12 mm SLOTTED RECESSED PAN HD.) .....	46	9070901	GASKET .....	1	1
22	5687301	ELEMENT.....	47	6634901	SCREW (M4 X 22 mm TORX SLOTTED RECESSED PAN HD.) ...	1	2
23	3074701	COVER ASSEMBLY .....	48	2914301	LEAD ASSEMBLY, BLACK.....	1	1
24	6634601	SCREW (M5 X 60 mm, SLOTTED RECESSED PAN HD. MACHINE)...	49	2914302	LEAD ASSEMBLY, RED.....	1	1
25	3078001	PRIMER ASSEMBLY.....	50	2917802	COIL BOOT ASSEMBLY (INCLUDES KEY NOS. 48 & 49).....	1	1
			51	3074602	FILTER HOUSING ASSEMBLY .....	1	1

To locate a source for replacement parts,  
contact us toll free at 1-866-574-9242 (US) or 1-866-574-9243 (Canada).

**TORO BRUSHCUTTER - MODEL NUMBER 51990**

**FIGURE D**



KEY NO.	PART NUMBER	DESCRIPTION	QTY.
1	6969101	WRIST PIN CLIP RING .....	2
2	6968701	WASHER .....	2
3	690161002	PISTON RING.....	1
4	640920002	PISTON.....	1
5	6968602	NEEDLE BEARING (ID 8 X 8.8).....	1
6	6222701	WRIST PIN.....	1

To locate a source for replacement parts,  
contact us toll free at 1-866-574-9242 (US) or 1-866-574-9243 (Canada).

For Parts Call 606-678-9623 or 606-561-4983



**OWT Industries, Inc.**

P.O. Box 35  
Highway 8  
Pickens, SC 29671  
USA

**Customer Service Information**

If your product requires service or maintenance,  
contact your nearest authorized service dealer.

To locate your nearest authorized service dealer for this product,  
contact us toll free at 1-866-574-9242 (US) or 1-866-574-9243 (Canada).

983000-661  
01-10-06  
(REV:01)

[www.mymowerparts.com](http://www.mymowerparts.com)