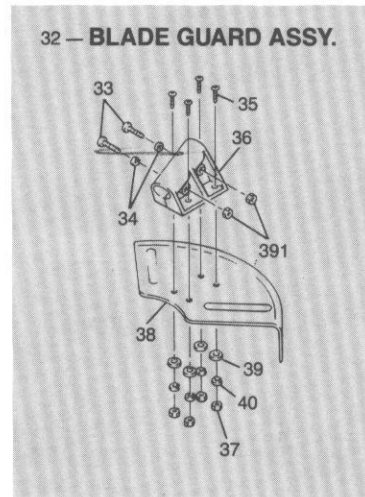
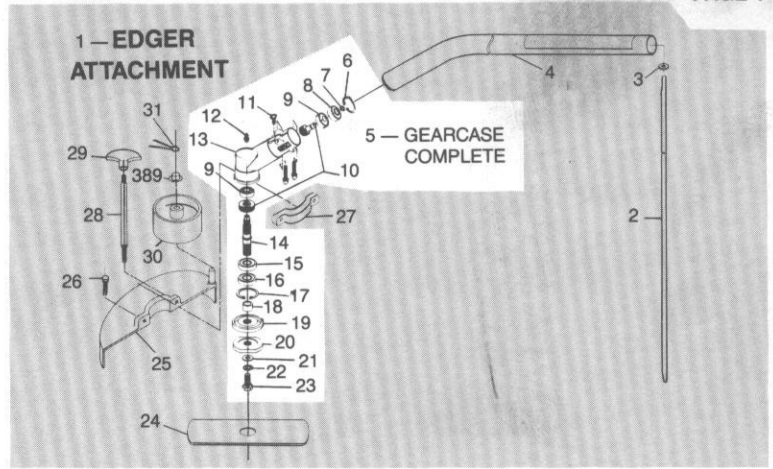


The Green Machine®

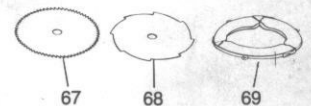
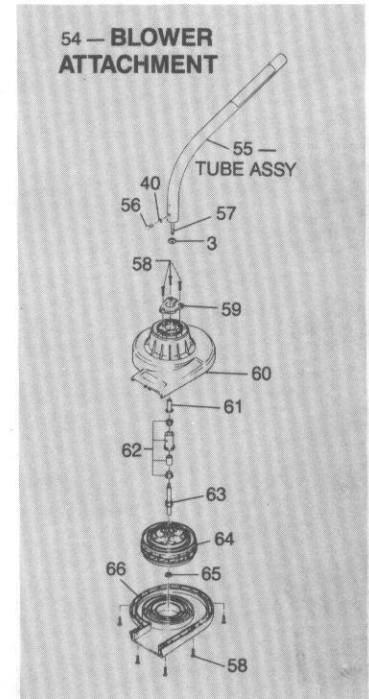
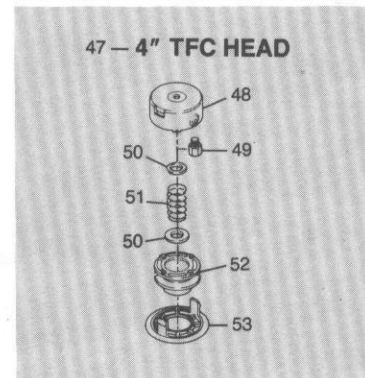
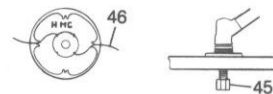
HMC, P.O. Box 560, Long Beach, CA 90801-0560
20710 So. Alameda Street, Long Beach, CA 90810

EXPLODED PARTS VIEW AND NUMERICAL PARTS LIST FOR MODEL 3510 AND ATTACHMENTS

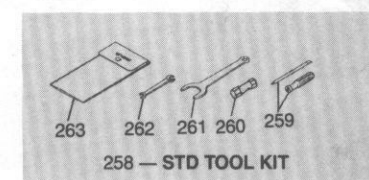
ITEM	PART NUMBER	DESCRIPTION
1	2351	EDGER ATTACHMENT
2	257801	FLEX CABLE
3	235501	GROMMET
4	250315	TUBE ASSY
5	230308	GEAR CASE COMPLETE
6	060011	RING
7	060007	RING
8	070007	BEARING
9	070006	BEARING
10	230323	GEARSET
11	010002	SCREW
12	300090	ZERK FITTING
13	300095	GEARCASE
14	300055	GEAR SHAFT
15	070005	BEARING
16	080003	SEAL
17	060006	RING
18	300065	SHAFT SPACER
19	300070	HOLDER (A)
20	300075	HOLDER (B)
21	041003	WASHER
22	040007	WASHER
23	300080	BOLT
24	237001	EDGER BLADE
25	236109	EDGER GUARD
26	237604	SCREW
27	236110	EDGER BRACKET
28	236707	HANDLE SHAFT
29	190120	KNOB
30	235101	EDGER WHEEL
31	236907	COTTER PIN
32	24700	BLADE GUARD ASSY
33	011417	SCREW
34	041102	WASHER
35	011418	SCREW
36	245201	BRACKET
37	051002	NUT
38	247001	BLADE GUARD
39	041004	WASHER
40	041101	WASHER
41	31004	3 LB. 0.080 LINE
42	31005	1 LB. 0.080 LINE
43	32007	0.080 LINE ON SPOOL
44	25250	FIXED LINE HEAD
45	325205	ARBOR BOLT
46	31105	LINE STRIPS (15) (OPT.)
47	20195	4" TFC HEAD ASSY
48	180302	HEAD BODY 4"
49	226701	ARBOR POST
50	166903	SPRING PLATE
51	167901	SPRING
52	185206	SPOOL 4"
53	185205	CAP 4"
54	2361	BLOWER ATTACHMENT
55	230303	TUBE ASSY
56	011401	SCREW
57	237802	FLEX CABLE
58	201044	SCREW
59	235205	TAPERLOCK
60	235201	UPPER FAN HSG.
61	166501	ARBOR ADAPTER
62	160305	BUSHING ASSY
63	236701	ARBOR SHAFT
64	235203	IMPELLER
65	167602	PALNUT
66	235202	LOWER FAN HSG.
67	92130	SAW BLADE
68	92140	BRUSHCUTTER BLADE
69	94110	BLADE COVER
70	300180	HARNESS
71	309889	CLEANER ASSY
72	010013	SCREW
73	309890	BODY CLEANER
74	040014	WASHER
75	309892	SCREEN
76	309891	ELEMENT



- 41 — 3 LB. 0.080 LINE
- 42 — 1 LB. 0.080 LINE
- 43 — 0.080 LINE ON SPOOL
- 44 — FIXED LINE H.D. OPTIONAL



BLADE GUARD MUST BE INSTALLED WHENEVER METAL BLADES ARE USED



- 264 FLYWHEEL PULLER (OPTIONAL)
- 265 PISTON PIN PUSHER (OPTIONAL)
- 266 FLYWHEEL HOLDING WRENCH (OPTIONAL)
- 267 CARB. LEVER ADJUSTING TOOL (OPTIONAL)



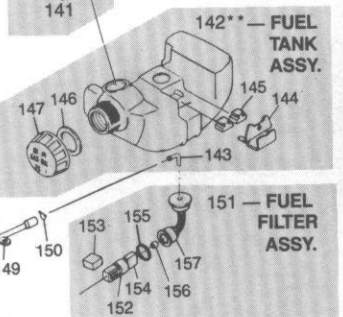
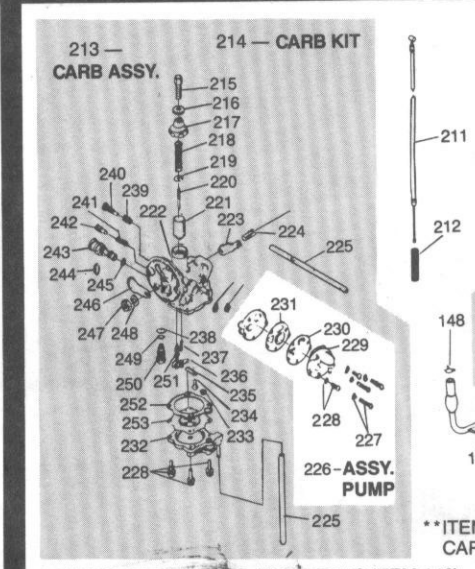
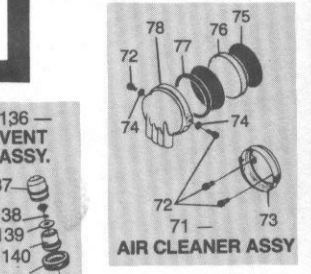
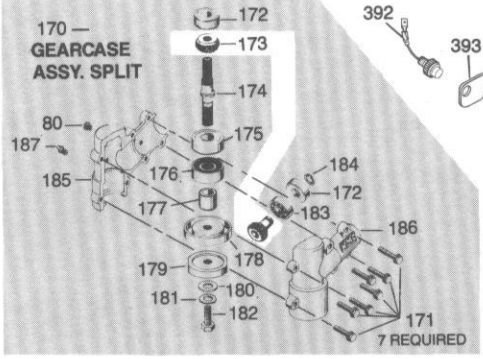
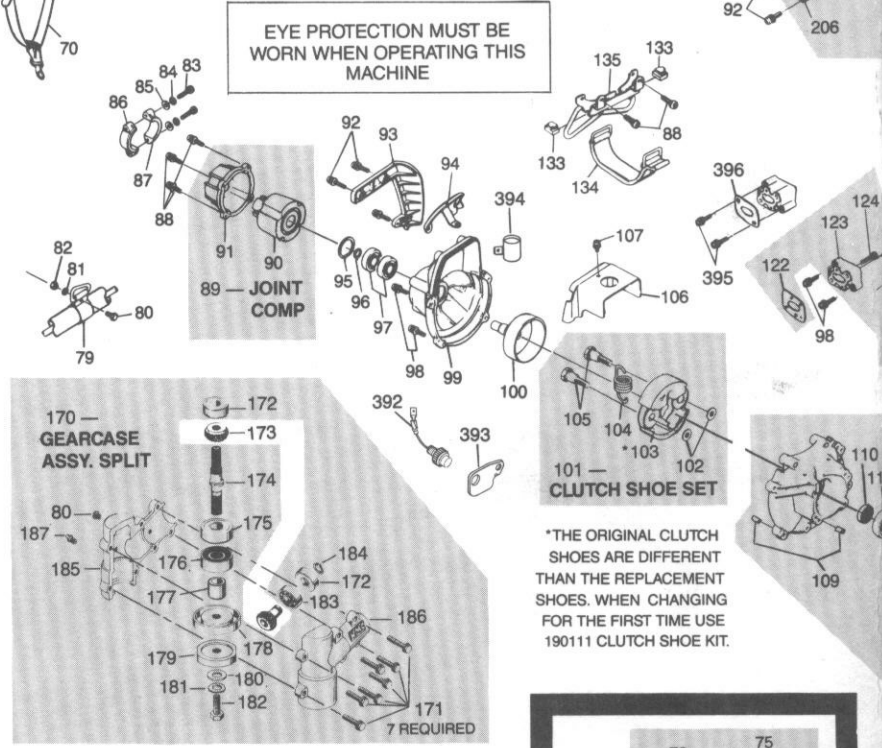
20710 ALAMEDA ST., LONG BEACH, CA 90810 • (213) 603-9888 • TELEX 696396
P.O. BOX 560, LONG BEACH, CALIFORNIA 90810 • FAX (213) 635-3526

www.mymowerparts.com

GM750 7/87

ITEM	PART NUMBER	DESCRIPTION
77	309893	PACKING
78	309894	COVER
79	300150	HANGER
80	010002	SCREW
81	041101	WASHER
82	050003	NUT
83	010039	SCREW
84	041101	WASHER
85	040015	WASHER
86	309826	CLAMP (A)
87	309827	CLAMP (B)
88	010037	SCREW
89	309952	JOINT COMP.
90	309824	JOINT
91	309825	CAP JOINT
92	010038	SCREW
93	309821	PROTECTOR
94	309822	PLUG PROTECTOR
95	060005	RING
96	060008	RING
97	070002	BEARING
98	010021	SCREW
99	306704	COVER
100	356901	CLUTCH DRUM
101	190111	CLUTCH SHOE SET
102	040010	WASHER
*103	190025	CLUTCH SHOE
104	190026	SPRING
105	012448	BOLT
106	309820	COVER
107	010024	SCREW
108	309812	CRANKCASE ASSY
109	309615	DOWEL PIN
110	080006	SEAL
111	070013	BEARING
112	309831	SNAP RING
113	309833	THRUST WASHER
114	309832	BEARING
115	309830	PISTON PIN
116	309834	CRANK ASSY
117	010005	SCREW
118	309858	PULLEY
119	050008	NUT
120	309828	PISTON
121	309620	RING
122	300293	GASKET
123	309802	INSULATOR SHORT
124	030018	BOLT
125	300296	GASKET
126	309800	CYLINDER
127	309811	INSULATOR
128	010020	SCREW
129	309801	GASKET
130	010017	SCREW
131	050007	NUT
132	040028	WASHER
133	309921	CUSHION
134	309923	BAND
135	307005	ENGINE STAND
△136	309913	VENT ASSY
137	309914	CAP, BREATHER
138	309917	WASHER VALVE
139	309916	RETAINER VALVE
140	309915	HOLDER VALVE
141	309919	GROMMET BREATHER
142	309898	FUEL TANK ASSY
143	309904	PIPE JOINT
144	307004	TANK RETAINER
145	305504	TANK CUSHION
146	309901	GASKET
147	309900	CAP ASSY
148	307002	CLIP
149	309903	FUEL PIPE
150	307003	CLIP
△151	309906	FUEL FILTER ASSY
152	309907	WEIGHT
153	309908	FILTER (A)
154	309652	FILTER (B)
155	309912	CLIP
156	309910	VALVE ASSY
157	309911	SUCTION PIPE
158	467309	STARTER ASSY
159	309856	CAP, KNOB
160	309855	KNOB
161	010031	SCREW
162	309852	PLATE, FRICTION
163	309850	RATCHET
164	309853	SPRING, FRICTION
165	309857	RETURN SPRING
166	309849	REEL
167	300285	SPRING SPIRAL

ITEM	PART NUMBER	DESCRIPTION
168	309848	CASE
169	309854	ROPE
170	250320	GEARCASE ASSY SPLIT
171	030008	SCREW
172	070006	BEARING
173	230323	GEAR SET
174	300055	GEAR SHAFT
175	070005	BEARING
176	080003	SEAL
177	300065	COLLAR
178	300070	HOLDER (A)
179	300075	HOLDER (B)
180	041003	WASHER
181	040007	WASHER
182	300080	BOLT



**ITEM 142 F.T.A. IS USED WITH ITEM 213 CARB ASSY

△ ITEMS 136 THRU 158 (EXCLUDING ITEM 142) ARE USED WITH BOTH FUEL TANK ASSY'S

◇ UP TO SERIAL NO.

210—
ENGINE GASKET SET

201—
MAGNETO ASSY.

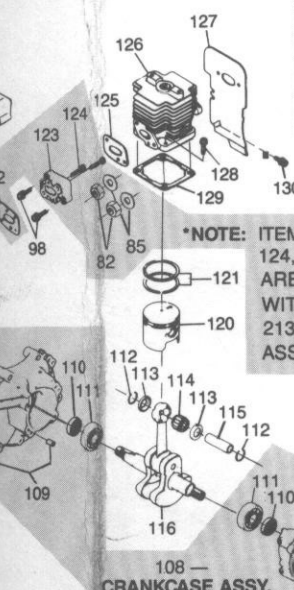
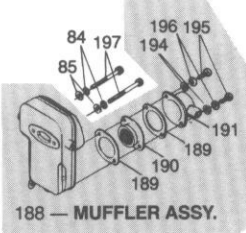
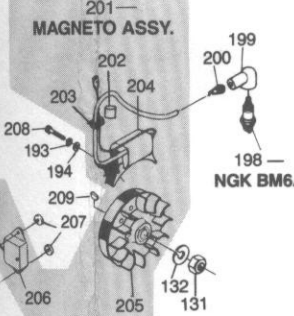
198—
NGK BM6A

ITEM PART NUMBER DESCRIPTION

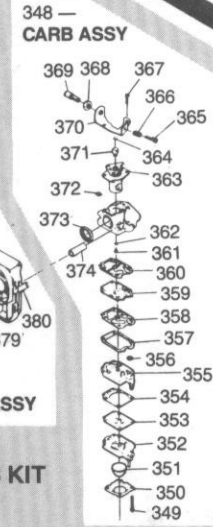
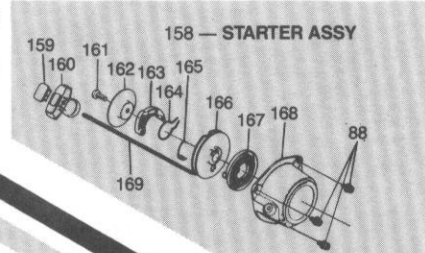
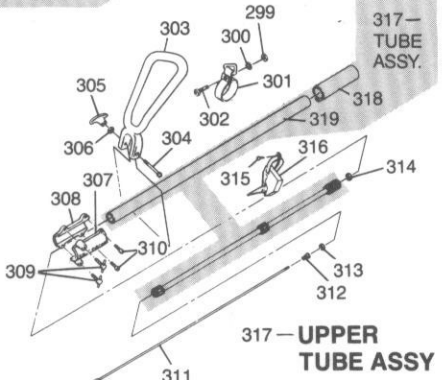
183	070007	BEARING
184	060007	RING
185	306705	GEARCASE RH
186	306706	GEARCASE LH
187	300090	GREASE FITTING
188	309805	MUFFLER ASSY
189	309611	GASKET
190	309807	ARRESTOR
191	309808	CAP MUFFLER
192	309810	MUFFLER GUARD
193	040025	WASHER
194	040024	WASHER
195	010032	SCREW

ITEM PART NUMBER DESCRIPTION

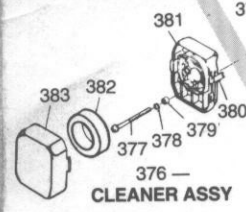
196	040023	WASHER
197	030020	BOLT
198	190036	SPARK PLUG (NGK BM6A)
199	190110	CAP
200	190035	SPRING
201	309838	MAGNETO ASSY
202	306804	TUBE
203	305503	GROMMET
204	309841	COIL
205	309839	ROTOR
206	309842	UNIT
207	309843	INSULATOR
208	030021	BOLT
209	309623	KEY
210	309950	GASKET SET
211	357101	THROTTLE CABLE
212	190107	SPRING
213	300201	CARB ASSY (TK)
214	300606	CARB KIT
215	190080	ADJUSTER
216	309862	NUT
217	309863	CAP
218	309864	SPRING
219	309865	RECEIVER
220	309866	JET NEEDLE
221	309867	VALVE NEEDLE
222	309888	PACKING
223	809869	LEVER
224	309868	BOLT
225	309455	FUEL PIPE
226	309883	PUMP ASSY
227	010028	SCREW
228	010027	SCREW
229	309887	COVER COMP
230	309885	DIAPHRAGM
231	309886	PACKING
232	307204	DIAPHRAGM COVER
233	307205	SEAT
234	010025	SCREW
235	309879	PIN
236	309878	HINGE
237	309745	SPRING
238	309945	O-RING
239	309872	SPRING
240	309871	SCREW
241	309874	SPRING
242	309873	SCREW
243	309875	KNOB
244	309875	CLIP
245	309628	O-RING
246	309870	PLATE
247	050005	NUT
248	040021	WASHER
249	309631	O-RING
250	309876	NEEDLE JET ASSY
251	190061	VALVE
252	307202	PACKING
253	307203	DIAPHRAGM
254	3541	TRIMMER ATTACHMENT
255	350301	DRIVESHAFT TUBE ASSY
256	235501	GROMMET
257	357801	FLEX CABLE
258	300185	STD TOOL KIT
259	190104	SCREW DRIVER
260	309928	SOCKET
261	300190	SPANNER
262	190105	SPANNER
263	309925	TOOL BAG
264	257602	FLYWHEEL PULLER
265	309951	PISTON PIN PUSHER
266	309732	SPANNER
267	309734	ADJUSTING TOOL
268	2381	SNOW THROWER ATTACH
269	230216	TUBE ASSY
270	235501	GROMMET
271	237802	FLEX CABLE
272	235211	ROTOR LH
273	012462	SCREW
274	230338	CASE COMPLETE
275	237401	GASKET
276	080010	SEAL
277	060005	RING
278	070011	BEARING
279	237608	COLLAR
280	236303	SHAFT GEAR
281	080009	SEAL
282	010024	SCREW
283	030087	BOLT
284	012463	SCREW
285	235212	COVER (A)
286	235210	ROTOR RH



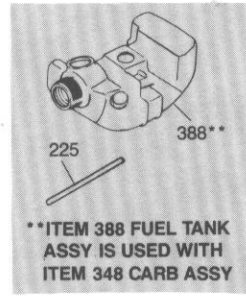
*NOTE: ITEMS 122, 123, 124, 82, & 85 ARE USED WITH ITEM 213 CARB ASSY ONLY



HIGH ALTITUDE JETS
384 — ABOVE 3,000 FT
385 — ABOVE 6,000 FT



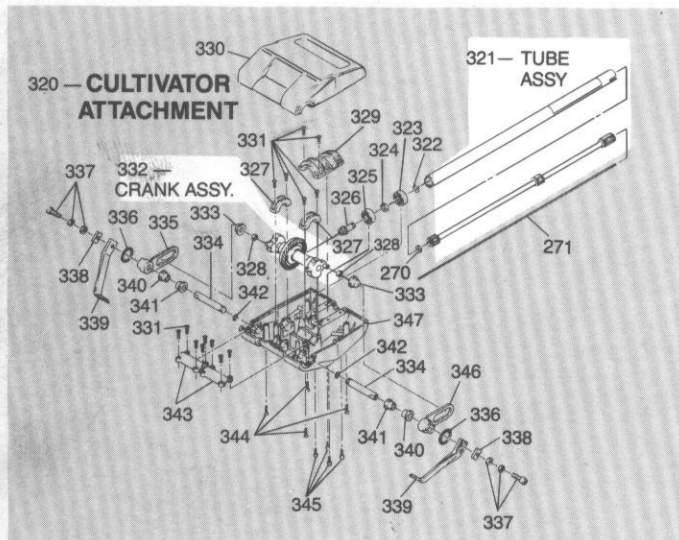
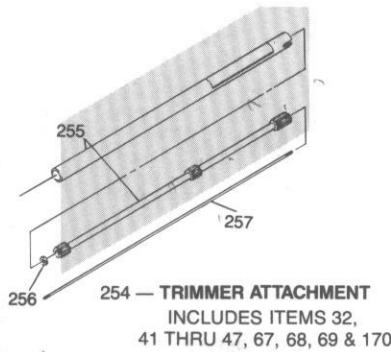
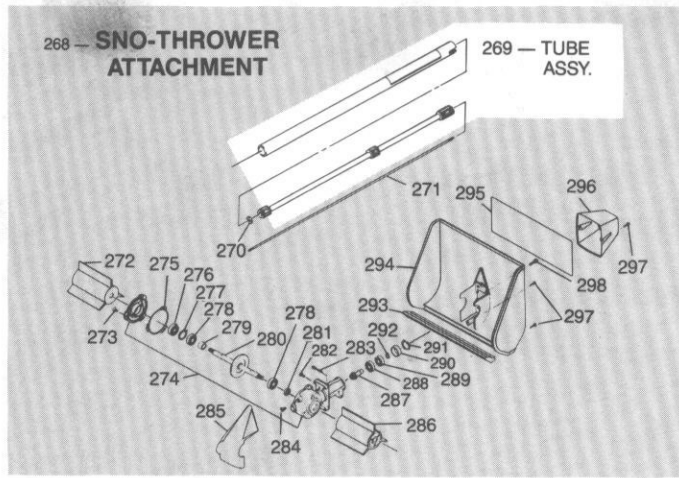
375 — CARB KIT



**ITEM 388 FUEL TANK ASSY IS USED WITH ITEM 348 CARB ASSY

□ AFTER SERIAL NO.





ITEM	PART NUMBER	DESCRIPTION
287	236304	PINION
288	070006	BEARING
289	071008	BEARING
290	237607	COLLAR
291	062204	RING
292	062205	RING
293	235503	SCRAPER
294	237002	HOUSING
295	239518	INSTRUCTION DECAL
296	235213	COVER (B)
297	012464	SCREW
298	010021	SCREW
299	050003	NUT
300	041101	WASHER
301	300150	HANGER
302	010002	SCREW
303	235209	ASSIST HANDLE

ITEM	PART NUMBER	DESCRIPTION
304	257606	ASSIST HANDLE BOLT
305	190120	KNOB
306	040016	WASHER
307	256103	COUPLER LH
308	256102	COUPLER RH
309	237601	THUMBSCREW
310	031105	BOLT
311	237801	FLEX CABLE
312	237901	SPRING
313	041012	WASHER
314	237603	RETAINER
315	010081	SCREW
316	250308	THROTTLE TRIGGER
317	350303	TUBE ASSY
318	300038	GRIP
319	356801	TUBE
320	2371	CULTIVATOR ATTACHMENT
321	230310	DRIVESHAFT TUBE ASSY
322	060008	RING
323	070009	BEARING
324	236702	SPACER
325	070005	BEARING
326	236503	PINION
327	236106	SHAFT CLAMP
328	071403	BEARING
329	236104	LOWER CLAMP
330	235206	CULTIVATOR HSG, UPPER
331	011601	SCREW
332	230324	CRANK ASSY
333	235207	FLOATING BUSHING
334	236704	HALF SHAFT
335	236502	ROCKERARM RH
336	235701	O-RING
337	970307	SEMS BOLT ASSY
338	236706	BLADE PLATE
339	976903	BLADE
340	977703	BUSHING
341	977706	BUSHING
342	061301	RING
343	236105	CLAMP ROCKER SHAFT
344	011308	SCREW
345	011419	SCREW
346	236501	ROCKERARM LH
347	236103	CULTIVATOR HSG, LOWER
348	350202	CARB. ASSY (WALBRO)
349	167212	SCREW
350	247224	COVER
351	247223	PRIMER PUMP
352	247222	PUMP BODY
353	170121	DIAPHRAGM
354	247405	GASKET
355	300323	PUMP BODY
356	170126	FILTER SCREEN
357	257204	GASKET
358	257206	GASKET
359	307207	DIAPHRAGM
360	307206	GASKET
361	247212	MAIN JET
362	247211	RING
363	247204	THROTTLE VALVE
364	247205	PLUG
365	247213	SCREW - IDLE ADJUSTER
366	247214	SPRING - IDLE ADJUSTER
367	307209	SCREW
368	247207	NUT
369	247206	CABLE ADJUSTER
370	247201	BRACKET
371	247203	SWIVEL
372	247202	CLIP
373	247210	PACKING
374	247209	SLEEVE
375	240604	CARB. KIT
376	240308	CLEANER ASSY
377	010102	SCREW
378	248204	SPRING
379	248205	SLEEVE
380	248206	CHOKE LEVER
381	248201	CLEANER BODY
382	248202	ELEMENT
383	248203	CLEANER COVER
384	257207	JET ABOVE 3,000 FT.
385	257208	JET ABOVE 6,000 FT.
386	255203	INSULATOR - LONG
388	350306	FUEL TANK ASSY
389	236908	WASHER
390	357102	THROTTLE CABLE
391	051012	NUT
392	650195	STOP SWITCH
393	307607	BRACKET
394	307103	CABLE CLAMP
395	010102	SCREW-SEMS
396	307215	GASKET