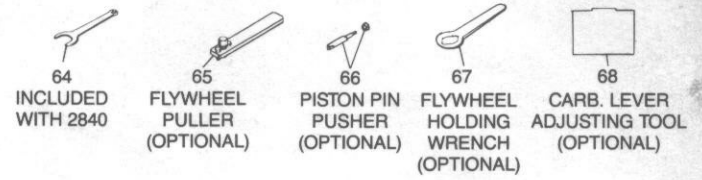
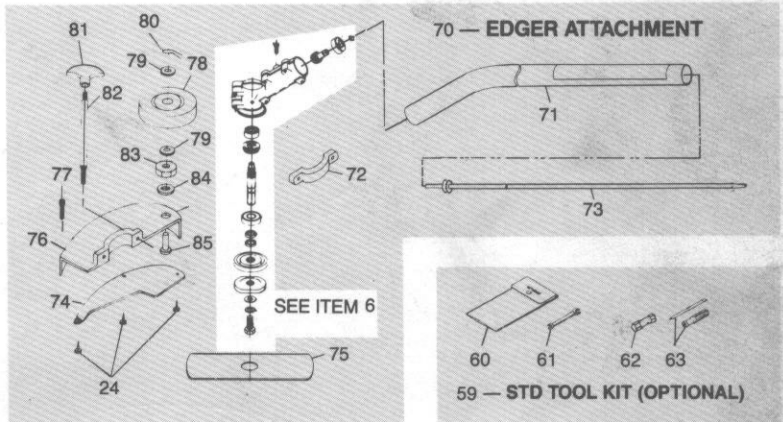
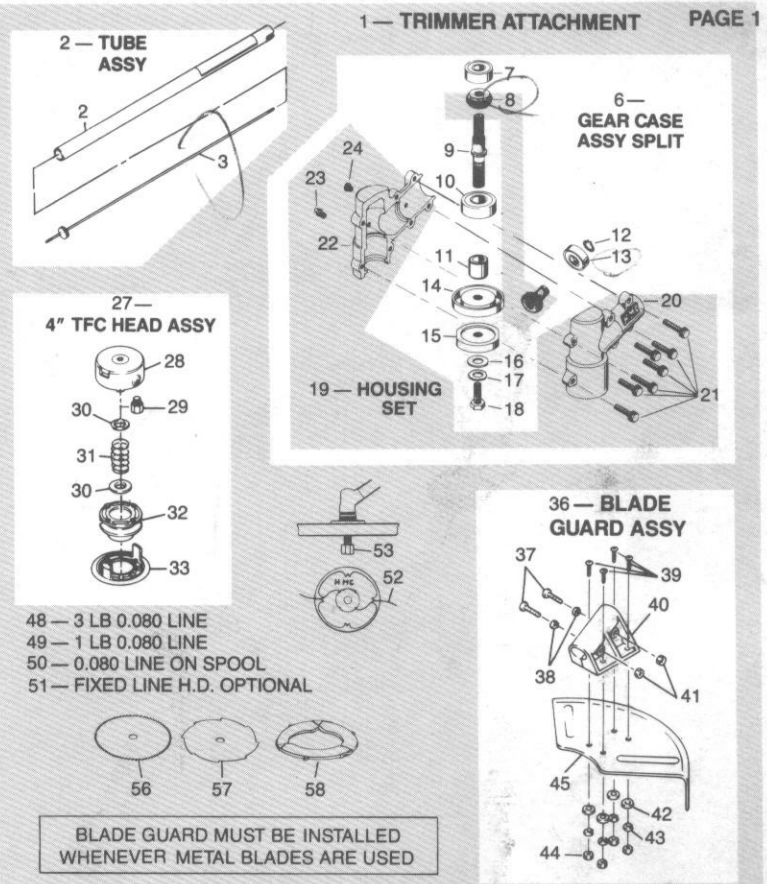


# The Green Machine®

HMC, P.O. Box 560, Long Beach, CA 90801-0560  
20710 So. Alameda Street, Long Beach, CA 90810

## EXPLODED PARTS VIEW AND NUMERICAL PARTS LIST FOR MODEL 2810 AND ATTACHMENTS

ITEM	PART NUMBER	DESCRIPTION
1	2845	BRUSHCUTTER/TRIMMER ATTACH
2	280331	TUBE ASSY KIT 1.023 DIA
3	357802	FLEX CABLE
4		
5		
6	280310	GEARCASE ASSY
7	070027	BEARING
8	190609	GEAR SET KIT
9	226706	GEARSHAFT
10	070002	BEARING
11	226705	SHAFT SPACER
12	060020	SNAP RING
13	070026	BEARING
14	300070	HOLDER A
15	300075	HOLDER B
16	041003	WASHER
17	040007	WASHER
18	300080	BOLT
19	280321	HOUSING SET
20	236713	GEARCASE - L.H.
21	011309	SCREW
22	236712	GEARCASE - R.H.
23	286710	GREASE FITTING
24	011310	SCREW
25		
26		
27	20195	4" TFC HEAD ASSY
28	180302	4" HEAD BODY
29	226701	ARBOR
30	166903	PLATE, SPRING
31	167901	SPRING
32	185206	4" SPOOL
33	185205	4" HEAD CAP
34		
35		
36	24700	BLADE GUARD ASSY
37	011417	SCREW
38	041002	WASHER
39	011418	SCREW
40	245201	BLADE GUARD BRACKET
41	051012	NUT
42	041004	WASHER
43	041101	WASHER
44	051002	NUT
45	247001	GUARD
46		
47		
48	31004	GREEN LINE .080 3 LB
49	31005	GREEN LINE .080 1 LB
50	32007	GREEN LINE
51	25250	FIXED LINE HEAD ASSY
52	31105	GREEN LINE .105 STRIPS
53	325205	ARBOR BOLT
54		
55		
56	92130	SAW BLADE
57	92140	BRUSH BLADE
58	94110	BLADE COVER
59	300185	TOOL SET
60	309925	TOOL BAG
61	190105	SPANNER
62	309928	SOCKET
63	190104	SCREWDRIVER
64	300190	SPANNER
65	257602	PULLER
66	309951	PISTON PIN PUSHER
67	309732	FLYWHEEL HOLDER
68	309734	CARB. LEVER ADJ. TOOL
69		
70	2851	EDGER ATTACHMENT
71	280313	TUBE ASSY 1.00 DIA
72	236110	BRACKET EDGER GUARD
73	257802	FLEX CABLE



ITEM	PART NUMBER	DESCRIPTION
74	286901	EDGER SHIELD
75	237001	EDGER BLADE (NOT SHARP)
76	286110	EDGER GUARD
77	237604	SCREW
78	235102	EDGER WHEEL
79	236908	WASHER
80	236907	COTTER PIN
81	190120	KNOB
82	236707	SHAFT HANDLE
83	051017	JAM NUT
84	041007	WASHER
85	237610	EDGER AXLE



20710 S. ALAMEDA ST., LONG BEACH, CA 90810 • (213) 603-9888 • TELEX 696396  
P.O. BOX 560, LONG BEACH, CALIFORNIA 90801-0560 • FAX (213) 635-3526

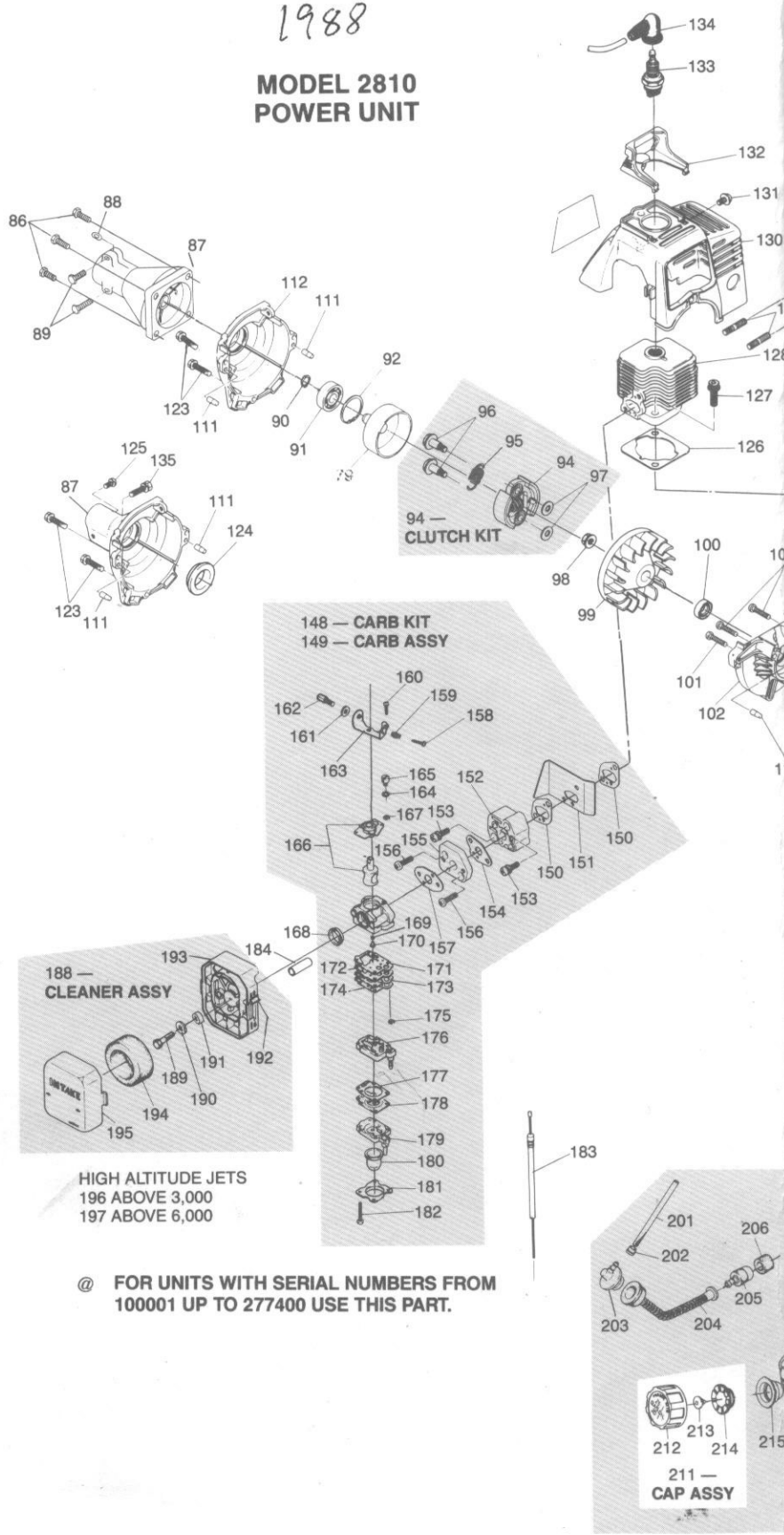
[www.mymowerparts.com](http://www.mymowerparts.com)

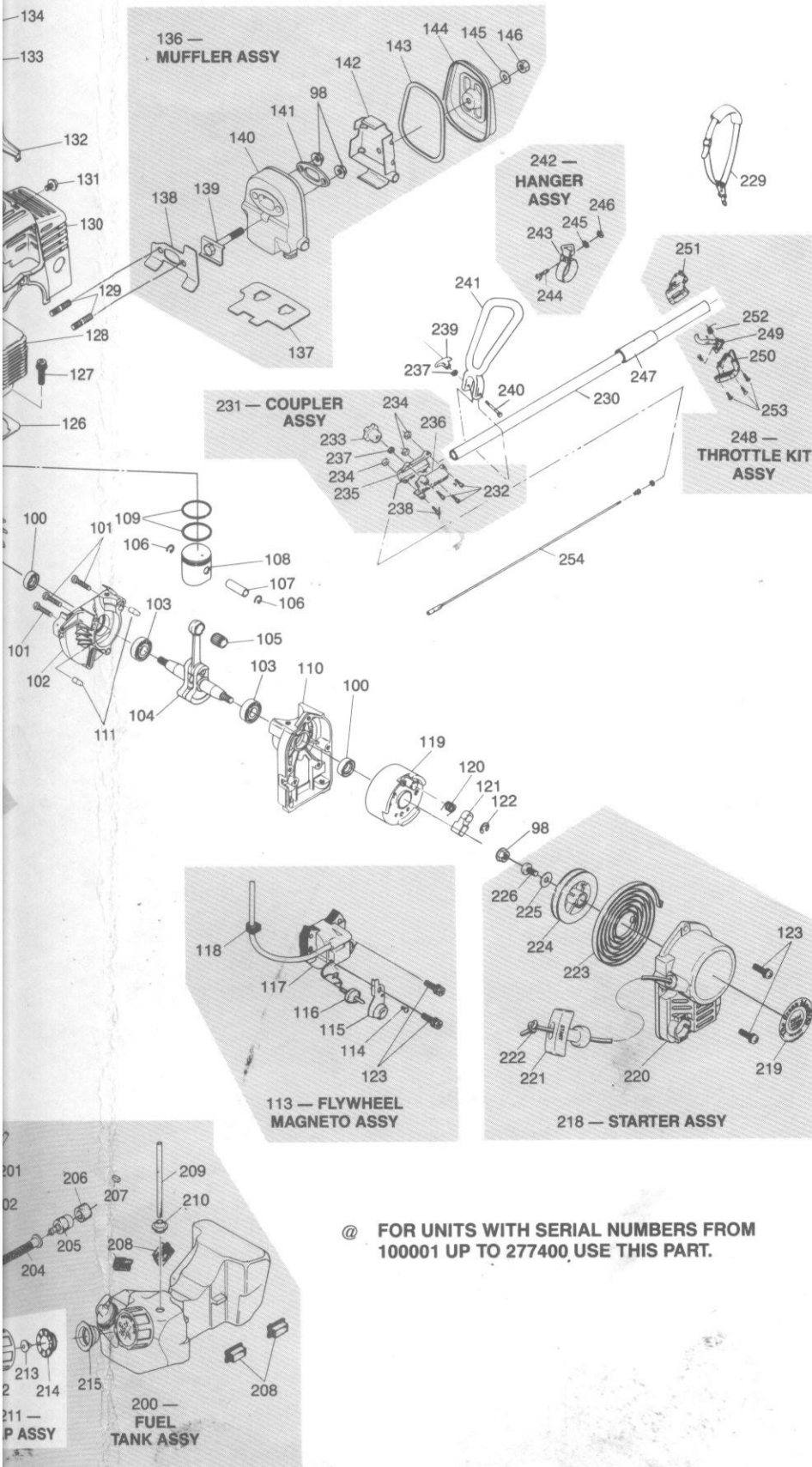
GM849 7/88

ITEM	PART NUMBER	DESCRIPTION
86	030005	BOLT & WASHER
87	286111	CASE, CLUTCH
@ 87	286701	CASE, CLUTCH
88	030010	SHIM
89	030008	BOLT & WASHER
90	062101	SNAP RING
@ 90	062802	SNAP RING
91	070009	BEARING, BALL
@ 91	071012	BEARING, BALL
92	060015	SNAP RING
@ 92	062801	SNAP RING
93	286711	CLUTCH DRUM
@ 93	286709	CLUTCH DRUM
94	190111	CLUTCH SHOE KIT
95	190026	CLUTCH SPRING
96	012448	SCREW
97	040010	WASHER
98	052801	NUT, CONICAL SPG.
99	286101	FAN
100	081502	OIL SEAL
101	002805	SCREW
102	286702	CASE, DRIVE
103	071009	BEARING, BALL
104	286703	CRANKSHAFT ASSY
105	071410	BEARING, NEEDLE
106	062803	CLIP, PISTON PIN
107	286105	PIN, PISTON
108	286706	PISTON
109	062804	RING, TOP
110	287301	CASE, STARTER
111	288204	DOWEL PIN
112	286112	CASE-COVER
113	280317	FLYWHEEL/MAGNETO ASSY
114	002807	SCREW
115	286103	BRACKET
116	283101	SWITCH, STOP
117	284001	COIL, IGNITION
118	285501	GROMMET
119	286707	ROTOR
120	287902	SPRING, RETURN
121	286106	RATCHET
122	062805	SNAP RING
123	032803	BOLT & WASHER
124	042801	WASHER
125	002801	SCREW & WASHER
126	287403	GASKET, CYLINDER
127	032805	BOLT, FLANGE
128	286705	CYLINDER
129	032804	BOLT, STUD
130	286704	COVER, TOP
131	002808	SCREW & WASHER
132	286104	GUARD, SPARK PLUG
133	190036	SPARK PLUG (NGK BM6A)
134	285502	CAP, PLUG
135	032801	BOLT & WASHER
136	280318	MUFFLER ASSY
137	287406	GASKET
138	287404	GASKET, MUFFLER
139	032806	BOLT, FLANGE
140	286708	BODY, MUFFLER
141	286108	PLATE
142	286107	PLATE
143	287405	GASKET, MUFFLER SEAL
144	286109	LID, MUFFLER
145	042803	WASHER, SEAL
146	052803	NUT
147		
148	287202	CARB. KIT
149	287201	CARB. ASSY
150	287402	GASKET, INSULATOR
151	287206	PLATE
152	285201	INSULATOR
153	002804	SCREW & WASHER
154	287401	GASKET, CARBURETOR
155	287228	SPACER
156	002810	SCREW
157	287410	GASKET CARB.
158	247213	SCREW, IDLE ADJUST.
159	247214	SPRING, IDLE ADJUST.
160	307209	SCREW
161	247207	NUT, CABLE ADJUSTER
162	247206	ADJUSTER, CABLE
163	247201	BRACKET, IDLE ADJUST.
164	247205	PLUG
165	287205	SWIVEL
166	287202	VALVE, THROTTLE
167	247202	RING, SWIVEL

1988

MODEL 2810  
POWER UNIT

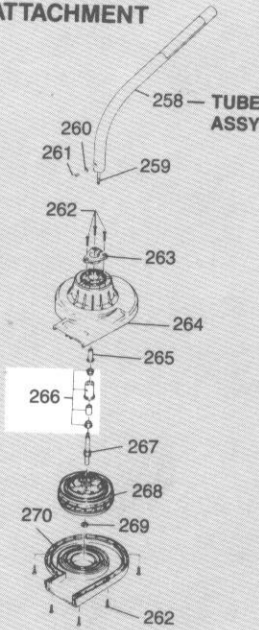




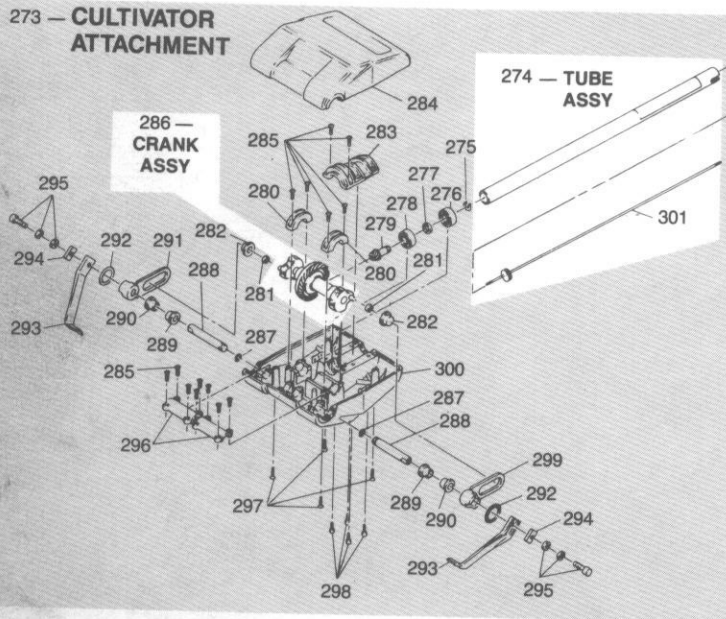
@ FOR UNITS WITH SERIAL NUMBERS FROM 100001 UP TO 277400 USE THIS PART.

ITEM	PART NUMBER	DESCRIPTION
168	247210	PACKING
169	247211	RING
170	287203	MAIN JET
171	307206	GASKET, PUMP
172	307207	DIAPHRAGM
173	257206	GASKET
174	257204	GASKET
175	287204	SCREEN, INLET
176	287205	BODY ASSY
177	247405	GASKET, DIAPHRAGM
178	170121	DIAPHRAGM
179	287207	BODY, PRIMER PUMP
180	247223	PUMP, PRIMER
181	247224	COVER, PRIMER PUMP
182	167212	SCREW, COVER
183	357102	THROTTLE CABLE
184	247209	SLEEVE
185		
186		
187		
188	240308	CLEANER ASSY
189	002811	SCREW & WASHER
190	040066	WASHER
191	248205	SLEEVE
192	248206	LEVER, CHOKE
193	248201	BODY CLEANER
194	248202	FILTER
195	248203	COVER, CLEANER
196	257208	HIGH ALTITUDE JET
197	257207	HIGH ALTITUDE JET
198		
199		
200	280303	FUEL TANK ASSY
201	285402	TUBE, FUEL
202	062806	CLIP
203	285406	JOINT
204	285403	HOSE, SUCTION
205	280304	FILTER, FUEL
206	282806	FILTER
207	282807	SPONGE
208	282808	PAD
209	285401	TUBE, FUEL
210	285407	BUSHING
211	280302	TANK CAP ASSY
212	285405	CAP, TANK
213	282809	VALVE, BREATHER
214	282810	HOLDER
215	287409	GASKET
216		
217		
218	287302	STARTER ASSY
219	289502	LABEL NAME
220	287307	CASE, STARTER
221	287306	KNOB, STARTER
222	287305	ROPE, STARTER
223	287304	SPRING, SPIRAL
224	287303	REEL
225	042804	WASHER
226	002812	SCREW
227		
228		
229	300180	HARNESS
230	280330	TUBE ASSY
@ 230	280320	TUBE ASSY
231	280312	COUPLER ASSY
232	011426	SCREW
233	285204	KNOB
234	051016	NUT
235	236112	COUPLER R.H.
236	236111	COUPLER L.H.
237	040016	WASHER
238	030017	BOLT
239	190120	KNOB
240	257606	BOLT
241	235209	ASSIST HANDLE
242	300245	HANGER ASSY
@ 242	250312	HANGER ASSY
243	300150	HANGER
244	010002	SCREW
245	041101	WASHER
246	050003	NUT
247	300038	FOAM GRIP
248	280340	THROTTLE HOUSING KIT
@ 248	230339	THROTTLE HOUSING KIT
249	235214	THROTTLE LEVER
250	285203	CLAMP L.H.
@ 250	165203	CLAMP L.H.
251	285204	CLAMP R.H.
@ 251	165204	CLAMP R.H.
252	167101	SPRING THROTTLE TRIGGER
253	201044	SCREW
254	230253	FLEX CABLE KIT

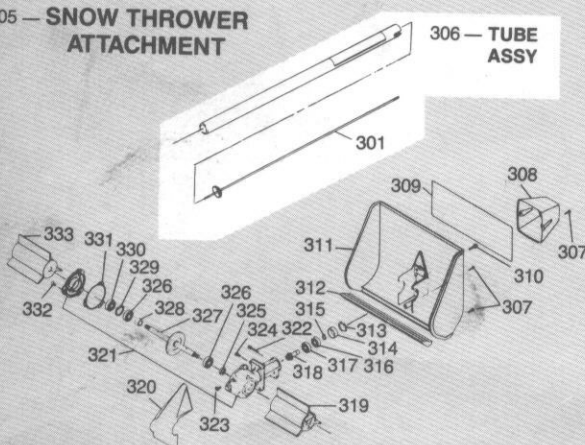
**257 — BLOWER ATTACHMENT**



**273 — CULTIVATOR ATTACHMENT**



**305 — SNOW THROWER ATTACHMENT**



**ITEM PART NUMBER DESCRIPTION**

257	2361	BLOWER ATTACHMENT
258	230604	TUBE ASSY 26.4 1/4" HOLE
259	237804	FLEX CABLE
260	041101	WASHER
261	011401	SCREW
262	201044	SCREW
263	235205	CLAMP BLOWER HOUSING
264	235201	UPPER FAN HOUSING
265	166501	ARBOR ADAPTER
266	160305	ARBOR BUSHING ASSY
267	236701	ARBOR SHAFT
268	235203	IMPELLER
269	167602	PAL NUT
270	235202	LOWER FAN HOUSING
271		
272		
273	2871	CULTIVATOR ATTACHMENT
274	280315	TUBE ASSY 22.75
275	060008	RING
276	071012	BEARING
277	236702	SPACER
278	070005	BEARING
279	236503	PINION GEAR
280	236106	CRANKSHAFT
281	071403	NEEDLE BEARING
282	235207	BEARING CAP
283	236104	SHAFT CLAMP
284	235206	UPPER COVER
285	011601	SCREW
286	230324	CRANK ASSY KIT
287	061301	WIRE RING
288	236704	ROCKER SHAFT
289	977706	BUSHING
290	977703	BUSHING
291	236502	ROCKER ARM R.H.
292	235701	"O" RING
293	97690	BLADE KIT (2 EACH)
294	236706	TINE SUPPORT
295	970307	SEMS BOLT
296	236105	CLAMP ROCKER SHAFT
297	011308	SCREW
298	011419	SCREW
299	236501	TOOL HOLDER
300	236103	LOWER HOUSING
301	237803	FLEX CABLE
302		
303		
304		
305	2381	SNOW THROWER ATTACHMENT
306	230609	TUBE ASSY 22.75 1/4" HOLE
307	012464	SCREW
308	235213	COVER B
309	239518	INSTRUCTION DECAL
310	010021	SCREW
311	237002	HOUSING
312	235503	SCRAPER BAR
313	062204	SNAP RING
314	237607	COLLAR
315	062205	SNAP RING
316	071008	BEARING
317	070006	BEARING
318	236304	PINION
319	235210	ROTOR R.H.
320	235212	COVER A
321	230338	GEAR CASE ASSY
322	030087	BOLT
323	010024	SCREW
324	012463	SCREW
325	080009	SEAL
326	070011	BEARING
327	236303	SHAFT GEAR COMP
328	237608	COLLAR
329	060005	RING
330	080010	SEAL
331	237401	GASKET
332	012462	SCREW
333	235211	ROTOR L.H.
334		
335		