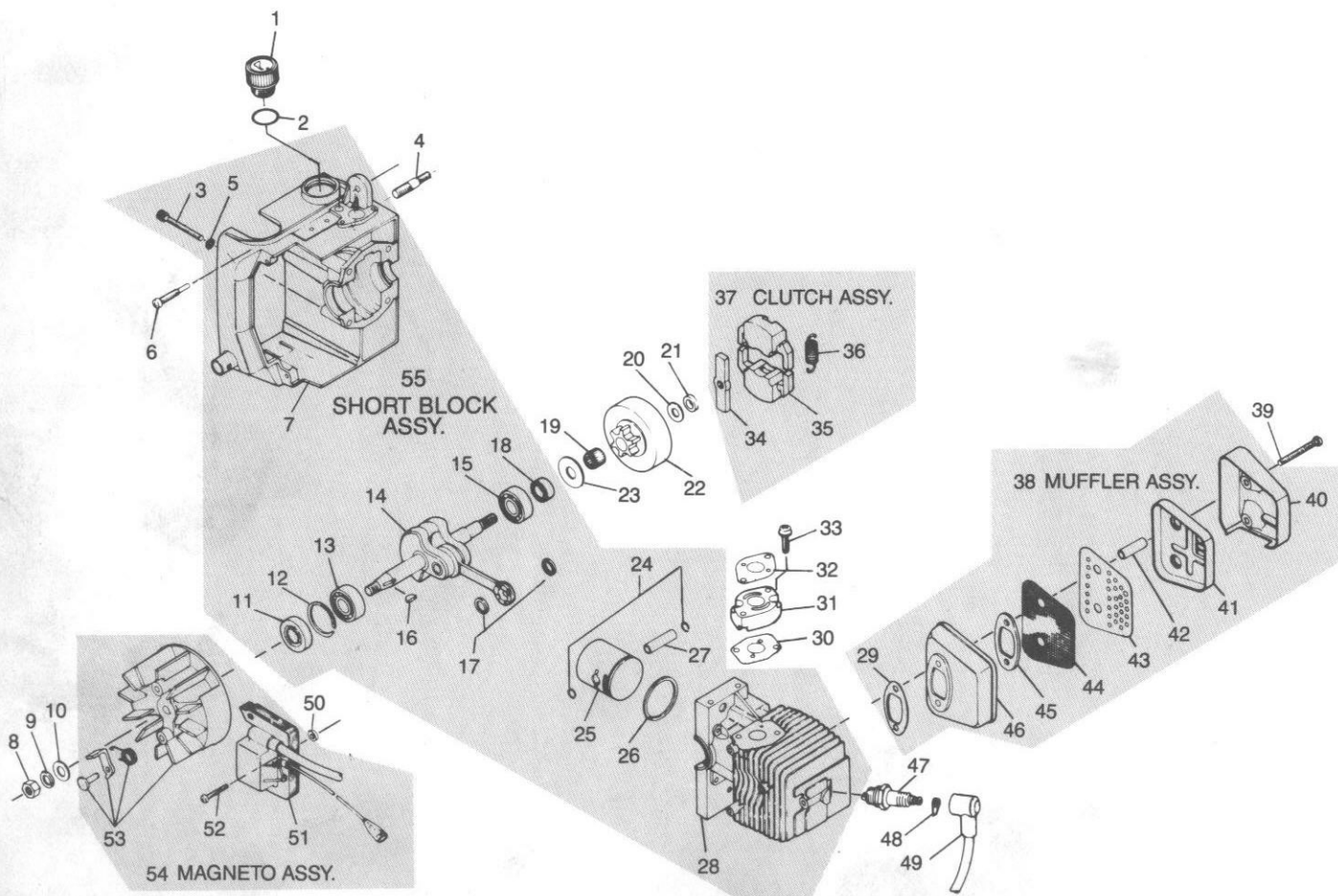


The Green Machine®

HMC, P.O. Box 560, Long Beach, CA 90801-0560
20710 So. Alameda Street, Long Beach, CA 90810

EXPLODED PARTS VIEW MODEL 7400



ITEM	PART NUMBER	DESCRIPTION
1	720206	OIL CAP ASSY.
2	725701	O-RING (FUEL CAP)
3	012423	SCREW
4	720204	STUD
5	040057	WASHER
6	012422	SCREW
7	720203	CASE COMP.

ITEM	PART NUMBER	DESCRIPTION
8	190023	NUT
9	043101	WASHER
10	043008	WASHER
11	080016	SEAL
12	060006	RING
13	070013	BEARING
14	740202	CRANKSHAFT COMP.
15	070013	BEARING
16	260105	KEY
17	746704	THRUST WASHER, PISTON
18	080006	SEAL
19	071101	BEARING
20	043005	WASHER
21	043006	WASHER
22	720307	DRUM, CLUTCH
23	043007	WASHER
24	748001	CLIP, PISTON PIN
25	746702	PISTON
26	746601	PISTON RING
27	746703	WRIST PIN
28	746701	CYLINDER
29	727401	GASKET, MUFFLER
30	727203	GASKET, INSULATOR
31	727201	INSULATOR
32	727202	GASKET, INSULATOR
33	012413	SCREW
34	726603	CLUTCH BOSS
35	726101	CLUTCH SHOE
36	727904	SPRING, CLUTCH
37	720308	CLUTCH ASSY.
38	720202	MUFFLER ASSY.
39	012412	SCREW
40	726905	COVER, MUFFLER
41	726902	COVER, MUFFLER
42	726801	SPACER, MUFFLER
43	726903	BAFFLE, MUFFLER
44	727501	ARRESTOR, SCREEN
45	726904	PLATE, MUFFLER
46	726901	BASE, MUFFLER
47	190036	SPARK PLUG
48	170066	SPRING
49	725505	CAP, SPARK PLUG
50	170067	MODULE SPACER
51	724002	MODULE
52	012418	SCREW
53	224003	ROTOR COMP.
54	724001	MAGNETO ASSY.
55	720213	SHORT BLOCK



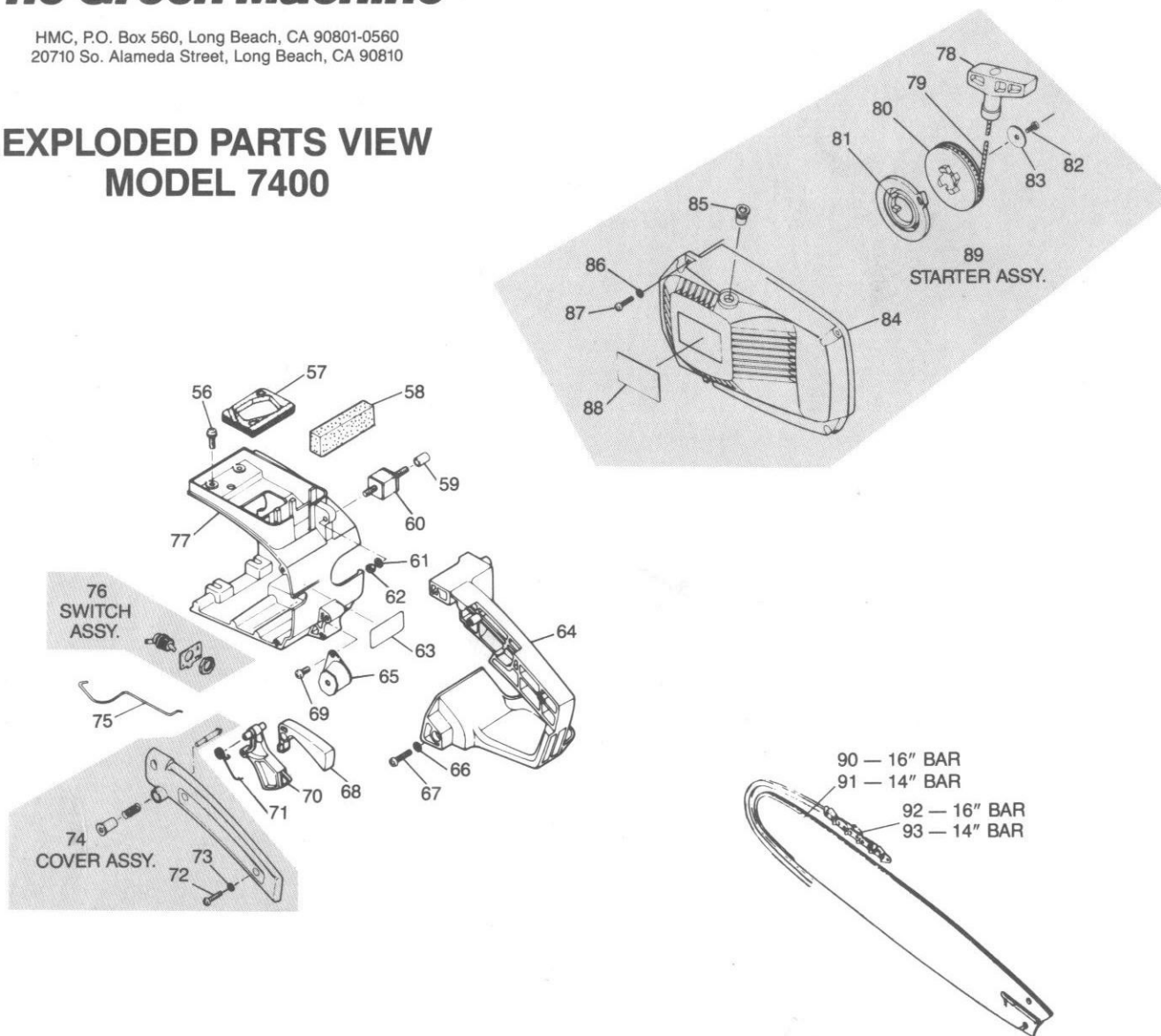
20710 ALAMEDA ST., LONG BEACH, CALIFORNIA 90810 • (213) 603-9888 • TELEX 696396

GM452 3-87

The Green Machine®

HMC, P.O. Box 560, Long Beach, CA 90801-0560
20710 So. Alameda Street, Long Beach, CA 90810

EXPLODED PARTS VIEW MODEL 7400



ITEM	PART NUMBER	DESCRIPTION
56	012409	SCREW
57	725502	SEAL, CARBURETOR
58	727221	FILTER (A) AIR
59	726803	SPACER, ANTI VIBE
60	720304	JOINT (B)
61	040015	WASHER
62	053001	NUT
63	729502	LABEL INSTR.
64	725206	HANDLE (R.H.)
65	720305	JOINT (C)
66	040015	WASHER
67	012427	SCREW
68	725211	THROTTLE LOCK
69	012408	SCREW
70	725210	THROTTLE LEVER
71	727903	SPRING, THROTTLE
72	012406	SCREW
73	043002	WASHER
74	720303	HANDLE, COVER ASSY.
75	727220	LINK, THROTTLE
76	723301	SWITCH ASSY.
77	726704	COVER, ENGINE
78	727309	KNOB, STARTER
79	190046	ROPE, STARTER
80	170030	SPOOL, ROPE
81	170032	SPRING & HOLDER
82	012414	SCREW
83	727308	WASHER
84	747302	CASE COMP. (STARTER)
85	727304	ROPE GUIDE
86	043002	WASHER
87	012415	SCREW
88	729503	LABEL, STARTER
89	747301	STARTER ASSY.
90	747001	16" CUTTER BAR
91	747003	14" CUTTER BAR
92	747002	16" CHAIN
93	727004	14" CHAIN



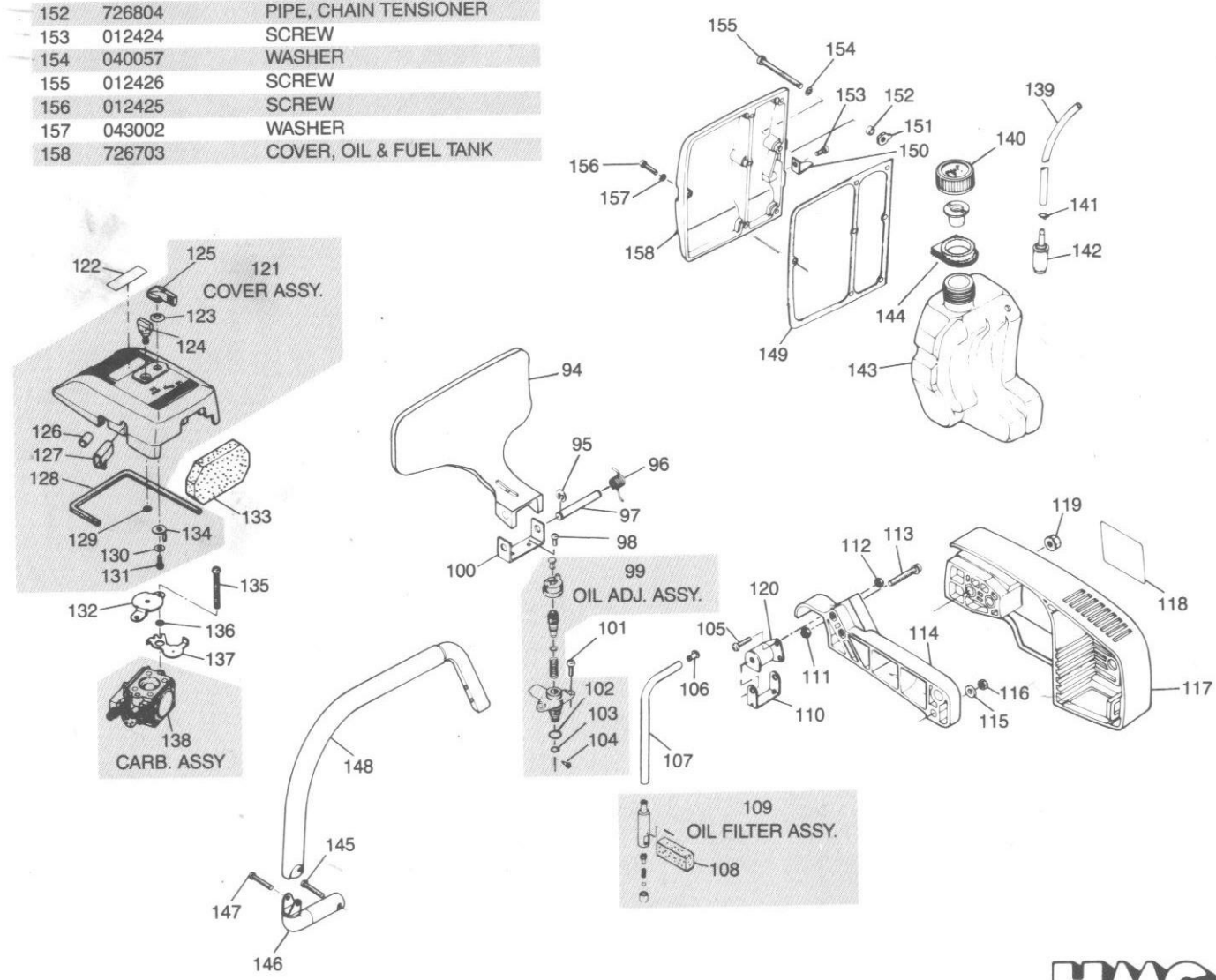
20710 ALAMEDA ST., LONG BEACH, CALIFORNIA 90810 • (213) 603-9888 • TELEX 696396

www.mymowerparts.com

ITEM	PART NUMBER	DESCRIPTION
94	725216	HAND GUARD
95	062401	RING
96	727905	SPRING, HAND GUARD
97	726911	PIN, HAND GUARD
98	010013	SCREW
99	720313	OIL ADJUSTER ASSY.
100	726910	BRACKET
101	012421	SCREW
102	725702	O-RING (OIL ADJ.)
103	725703	O-RING (OIL ADJ.)
104	725506	BLADDER VALVE
105	012420	SCREW
106	725218	PIN, OIL PIPE
107	726802	PIPE, OIL
108	725401	OIL FILTER
109	720205	OIL FILTER ASSY.
110	726912	BRACKET, ANTI VIBE
111	053001	NUT
112	053001	NUT
113	012419	SCREW
114	725212	BRACKET
115	043010	WASHER
116	053006	NUT
117	740203	COVER COMP.
118	729501	LABEL I.D.
119	053003	NUT
120	720306	ANTI VIBE MOUNT
121	720310	AIR CLEANER COVER ASSY.
122	726907	PLATE, INSTR.
123	043004	WASHER
124	727226	KNOB, AIR CLEANER
125	725214	LEVER, CHOKE
126	727222	GROMMET (A) CARB.
127	727223	GROMMET (B) CARB.
128	725503	SEAL, AIR CLEANER
129	043003	WASHER
130	043011	WASHER
131	012411	SCREW
132	727218	BRACKET, CHOCK
133	725402	AIR FILTER
134	726908	CHOKE ARM
135	012410	SCREW
136	727219	SPACER, CHOKE
137	727217	PLATE, CHOKE
138	747201	CARBURETOR ASSY.
139	726805	PIPE, FUEL
140	720312	FUEL CAP ASSY.
141	728003	CLIP
142	170086	FUEL FILTER
143	720311	FUEL TANK ASSY.

ITEM	PART NUMBER	DESCRIPTION
144	725504	SUPPORT
145	012408	SCREW
146	720302	JOINT (A)
147	012416	SCREW
148	725205	HANDLE (L.H.)
149	727402	GASKET, CASE COVER
150	727005	CHAIN CATCHER
151	726906	TENSIONER, CHAIN
152	726804	PIPE, CHAIN TENSIONER
153	012424	SCREW
154	040057	WASHER
155	012426	SCREW
156	012425	SCREW
157	043002	WASHER
158	726703	COVER, OIL & FUEL TANK

EXPLODED PARTS VIEW MODEL 7400



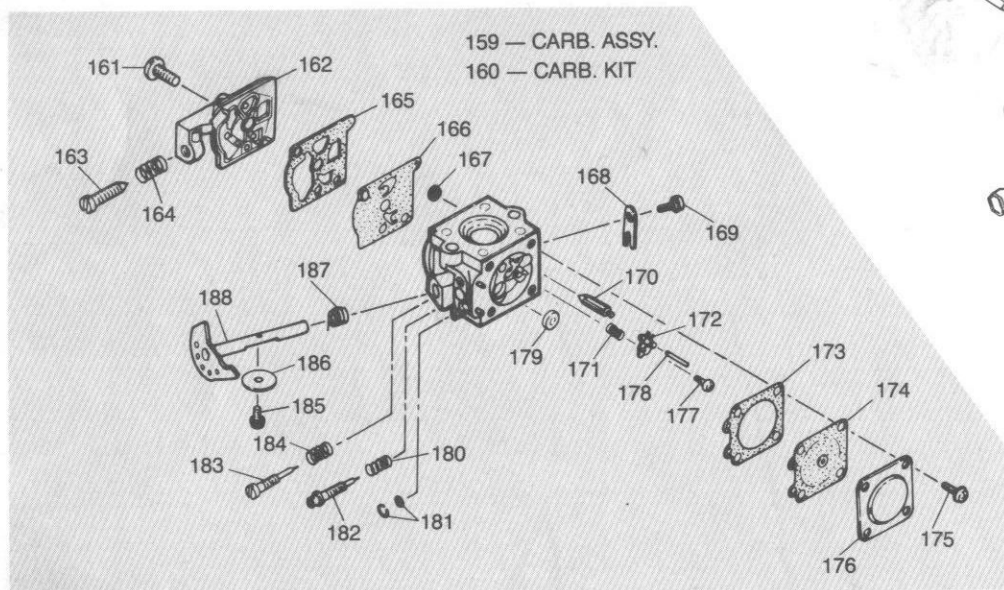
20710 ALAMEDA ST., LONG BEACH, CALIFORNIA 90810 • (213) 603-9888 • TELEX 696396



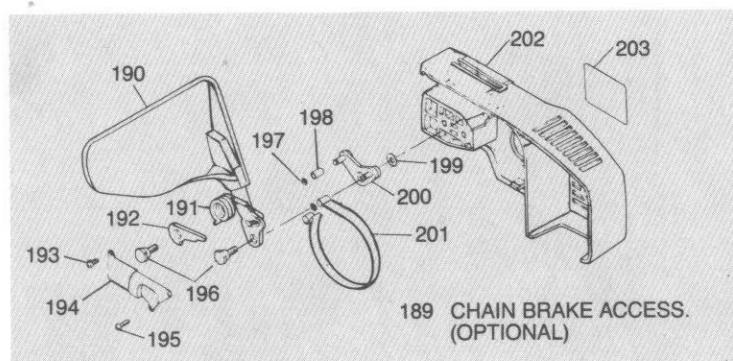
The Green Machine®

HMC, P.O. Box 560, Long Beach, CA 90801-0560
20710 So. Alameda Street, Long Beach, CA 90810

EXPLODED PARTS VIEW MODEL 7400

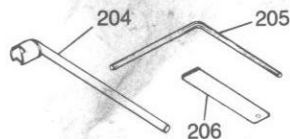


159 — CARB. ASSY.
160 — CARB. KIT

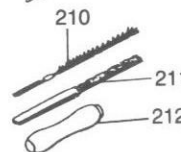
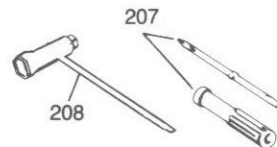


189 CHAIN BRAKE ACCESS.
(OPTIONAL)

SPECIAL TOOLS (OPTIONAL)



TOOLS (STANDARD)



(OPTIONAL TOOLS)

ITEM	PART NUMBER	DESCRIPTION
159	747201	CARBURETOR ASSY.
160	210036	CARB. KIT
161	170144	SCREW, COVER
162	727206	COVER, FUEL PUMP
163	727224	SCREW, IDLE ADJ.
164	170137	IDLE ADJ. SCREW
165	210064	GASKET
166	210053	DIAPHRAGM
167	170126	SCREEN, INLET
168	170140	THROTTLE SHAFT CLIP
169	167212	SCREW, COVER
170	190061	VALVE, INLET
171	170120	SPRING
172	170118	LEVER
173	170134	GASKET
174	170121	DIAPHRAGM
175	167212	SCREW, COVER
176	170139	DIAPHRAGM COVER
177	170142	SCREW
178	767210	PIN
179	170133	WELCH PLUG
180	170145	SPRING, NEEDLE
181	210601	SCREEN & CLIP KIT
182	727212	NEEDLE, HIGH SPEED
183	727209	NEEDLE, LOW SPEED
184	170146	SPRING, NEEDLE
185	170141	SCREW, SHUTTER
186	210060	THROTTLE VALVE
187	727215	SPRING, THROTTLE RETURN
188	727213	THROTTLE SHAFT ASSY.
189	072001	CHAIN BRAKE
190	725217	HAND GUARD (CHAIN BREAK)
191	727906	SPRING, CHAIN BRAKE
192	726914	ARM (B) (CHAIN BRAKE)
193	010041	SCREW
194	726916	COVER PLATE
195	012415	SCREW
196	726711	SHOULDER BOLT
197	062402	RING
198	726806	ROLLER, CHAIN BRAKE
199	040010	WASHER
200	726913	ARM (A) (CHAIN BRAKE)
201	726915	BRAKE BAND
202	720210	COV. COMP. (CHAIN BRAKE)
203	729501	LABEL I.D.
204	726917	CLUTCH WRENCH
205	726918	ALLEN WRENCH



20710 ALAMEDA ST., LONG BEACH, CALIFORNIA 90810 • (213) 603-9888 • TELEX 696396