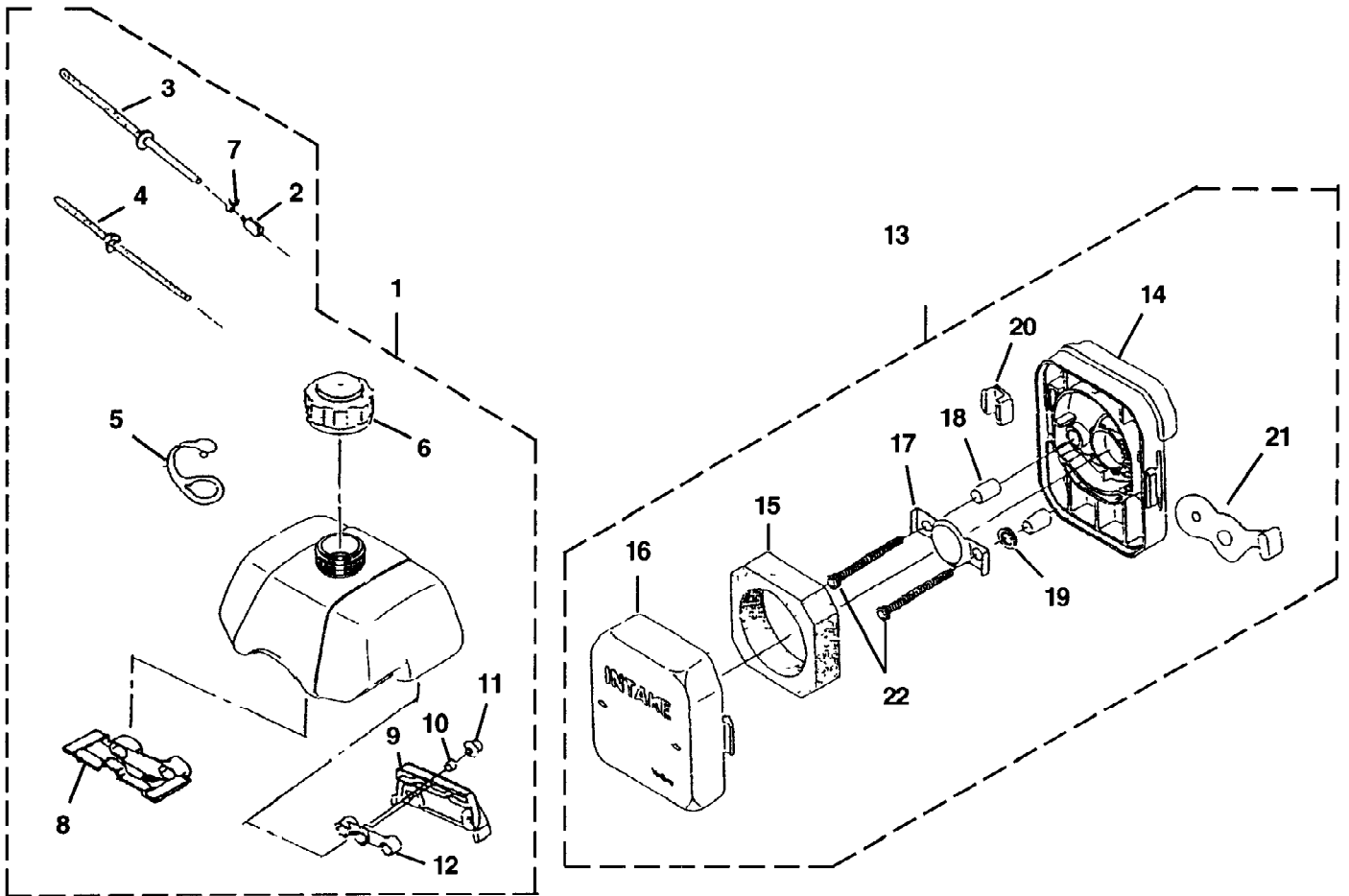


GT41 Trimmer/Brushcutter UT-26048  
Accessories

Page 2 of 22

Ref #	Part Number	Qty	S/P/F	Description
1	UP05479	1		TOOL KIT (BLUE)
2	PS00998	1		BLADE COVER
3	PS03161	1		BLADE - CUTTER
4	UP05463	1		STRING HEAD ASSY
5	UP05465	1	S/P	SPOOL & STRING

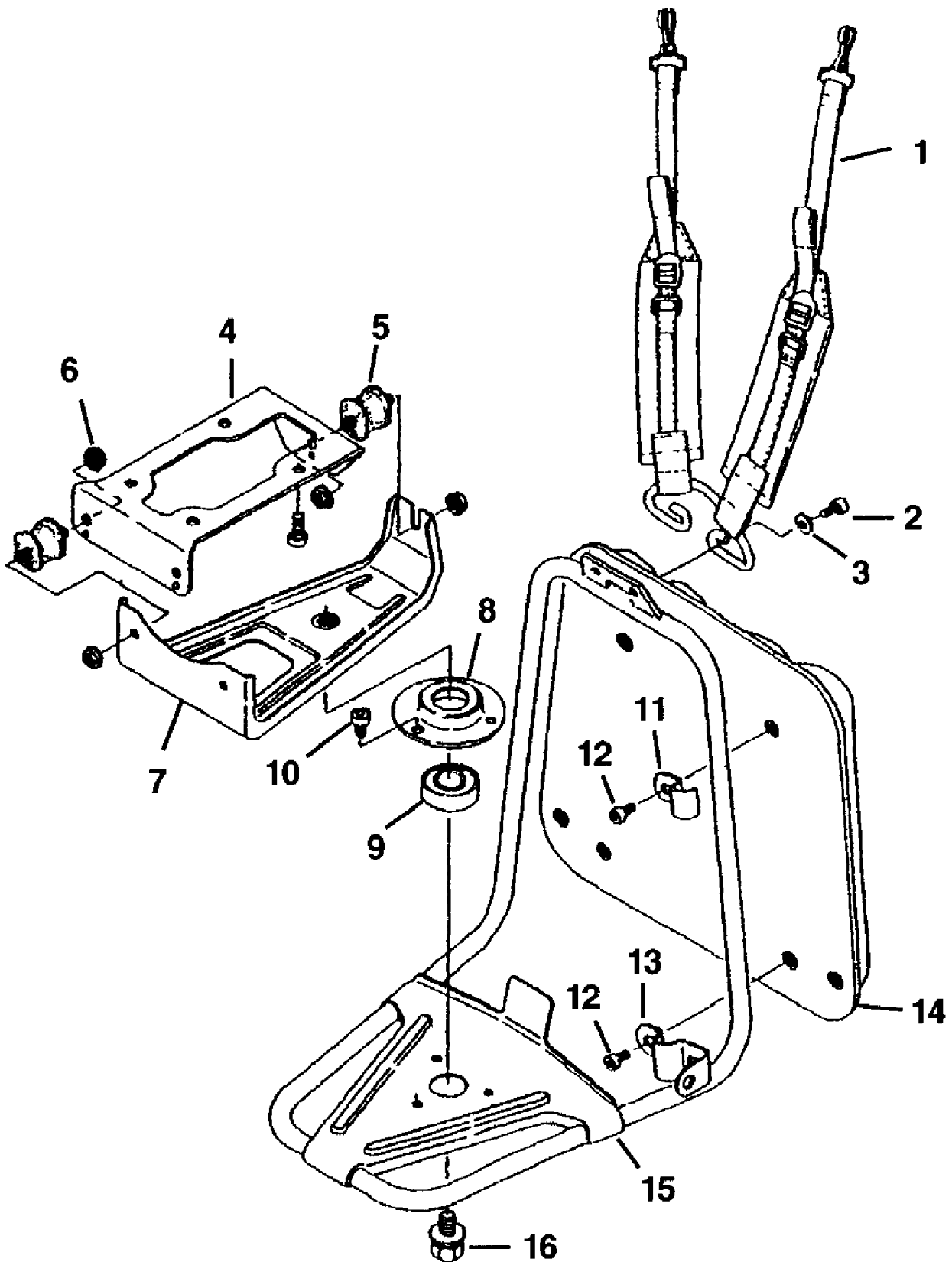
GT41 Trimmer/Brushcutter UT-26048  
Air Filter - Fuel Tank



GT41 Trimmer/Brushcutter UT-26048  
Air Filter - Fuel Tank

Page 4 of 22

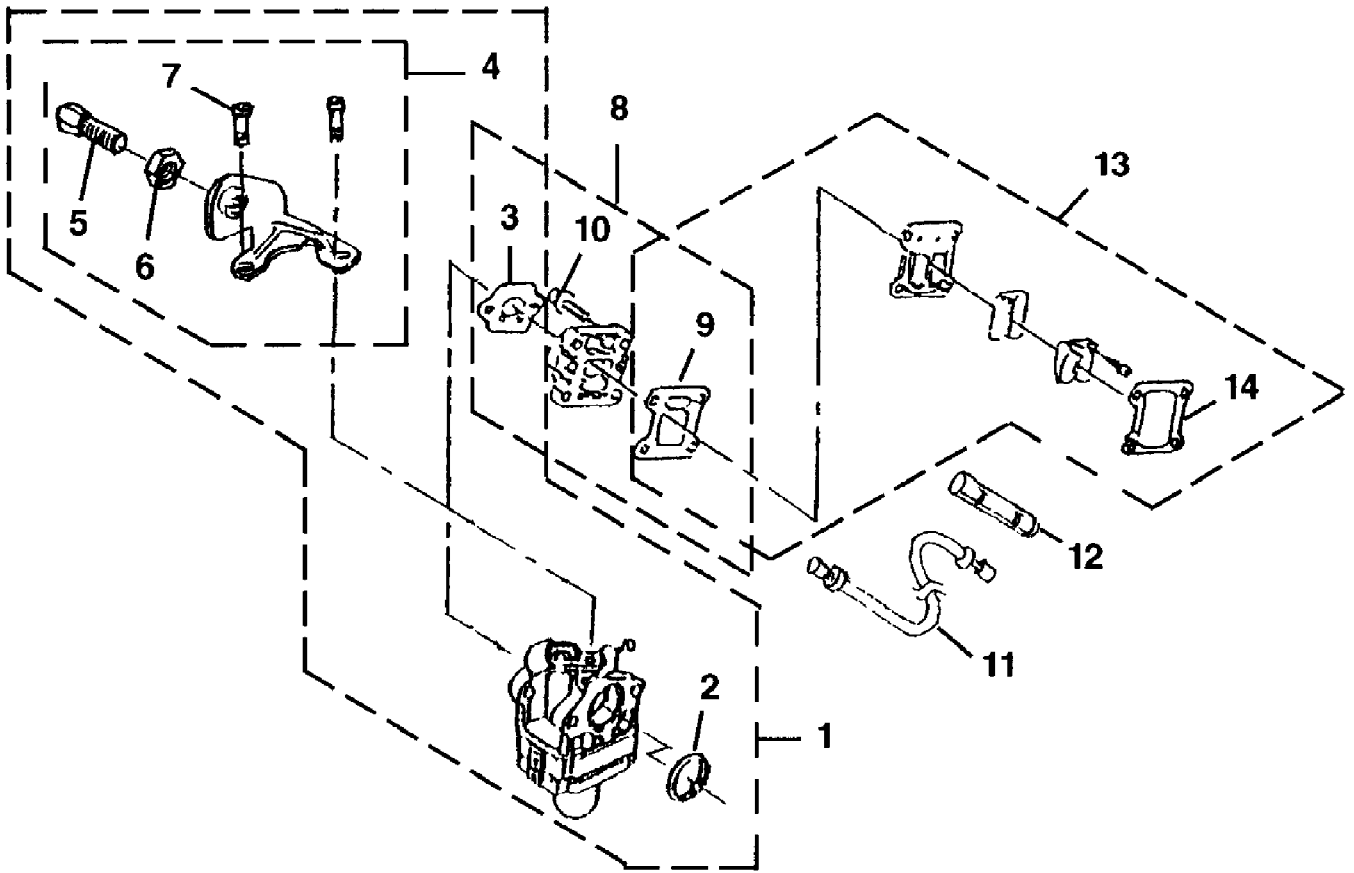
Ref #	Part Number	Qty	S/P/F	Description
1	UP05446	1		FUEL TANK ASSEMBLY
2	PS00520	1		FILTER-Fuel
3	PS03052	1		TUBE
4	PS03053	1		TUBE
5	PS00522	1	S	CAP- Retainer
6	PS03054	1	S	CAP - Fuel
7	PS00833	3		HOSE CLAMP
8	PS03055	1		BUMPER, Fuel Tank
9	PS03057	1		BRACKET - Fuel Tank
10	PS03058	2		SPACER
11	PS03059	2		BOLT (M5 X 14W)
12	PS03056	1		BUMPER-Fuel Tank
13	UP05441	1		AIR FILTER ASSEMBLY
14	PS03033	1		BODY-Air Filter
15	PS03041	1		FILTER-Air
16	PS03042	1		COVER-Air Filter
17	PS03038	1		PLATE-Air Filter
18	PS03035	2		SLEEVE
19	PS03037	1		WASHER
20	PS03039	1		CLIP-Filter Cover
21	PS03036	1		VALVE, CHOKE
22	PS03043	2		SCREW-Socket Hd (M5 X 50) Torque Specs: 19 - 25 In/Lbs; 2.1 - 2.8 Nm



GT41 Trimmer/Brushcutter UT-26048  
Backpack Frame

Page 6 of 22

Ref #	Part Number	Qty	S/P/F	Description
1	PS03217	1		HARNESS
2	PS03218	6		TORX BOLT M6 X 12 Torque Specs: 61 - 69 In/Lbs; 6.9 - 7.8 Nm
3	PS03219	2		PLAIN WASHER 6
4	PS03220	1		ENGINE STAY
5	PS03221	3		AV RUBBER
6	PS03222	6		F-NUT M6
7	PS03223	1		ENGINE BASE
8	PS03224	1		BEARING HOLDER
9	PS03177	1		BALL BEARING #6202ZZ
10	PS03225	3		TORX SCREW M6 X 10 Torque Specs: 61 69 In/Lbs; 6.9 - 7.8 Nm
11	PS03226	2		PAD RETAINER (B)
12	PS03194	6		TORX BOLT M5 X 10 Torque Specs: 40 - 48 In/Lbs; 2.7 - 4.2 Nm
13	PS03227	2		PAD RETAINER
14	PS03228	1		PAD
15		1		UNKNOWN
16	PS03230	1		BOLT (3) M10 X 20 Torque Specs: 70 - 75 In/Lbs; 7.9 - 8.5 Nm

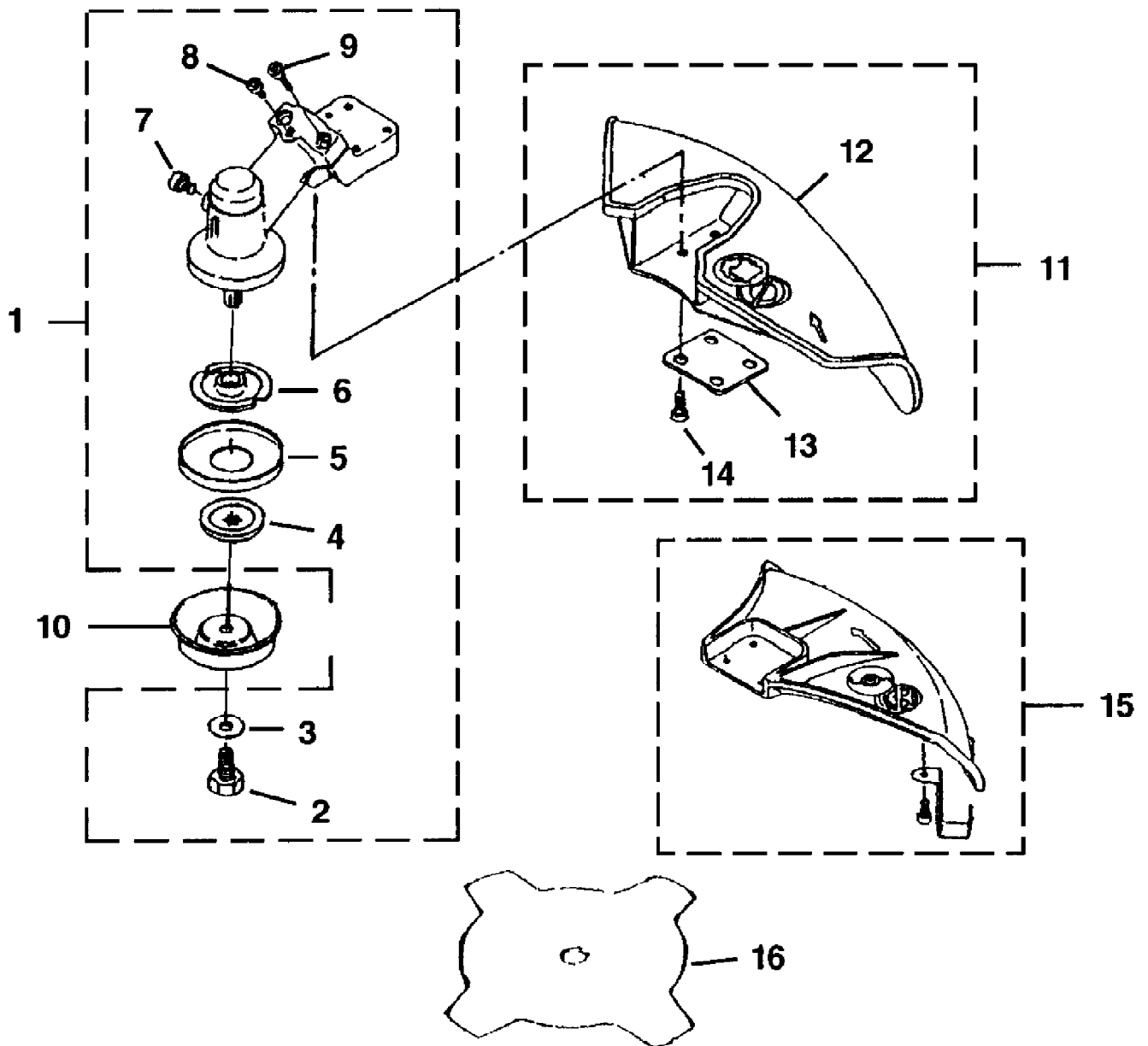


GT41 Trimmer/Brushcutter UT-26048  
Carburetor - Heat Dam - Reed Valve

Page 8 of 22

Ref #	Part Number	Qty	S/P/F	Description
1	UP05439	1		CARBURETOR ASSY
2	PS00541	1		RING-Packing
3	PS03028	1		GASKET-Carburetor
4	UP00485	1		CABLE BRACKET
5	PS00611	1		SCREW-Cable Adjust
6	PS00544	1	/P	NUT-Cable Adjust
7	PS00542	2		SCREW-Throttle Collar
8	UP05438	1		HEAT DAM ASSEMBLY
3	PS03028	1		GASKET-Carburetor
9	PS00764	1		GASKET-Heat Dam
10	PS00583	4		SCREW-Socket Hd (M5 x 20) Torque Specs: 33 - 37 In/Lbs; 3.7 - 4.2 Nm; Red 262 Loctite Required
11	PS03463	1		CABLE-Throttle
12	PS03464	1		CASE-Connector
13	UP05437	1		REED VALVE ASSY
9	PS00765	1		GASKET-Heat Dam
14	PS00766	1		GASKET-Reed Valve

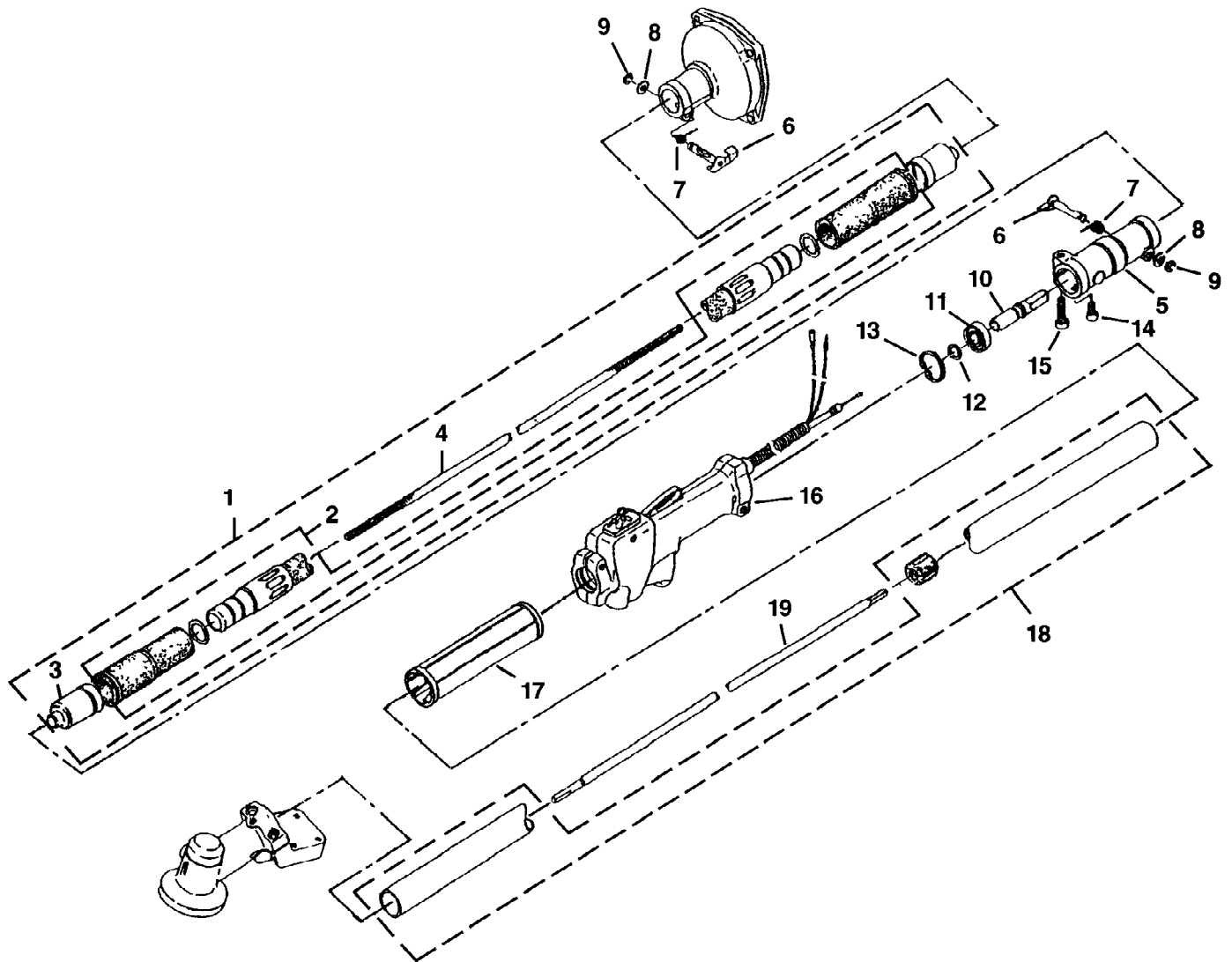




GT41 Trimmer/Brushcutter UT-26048  
Deflector - Guard - Gear Head

Page 10 of 22

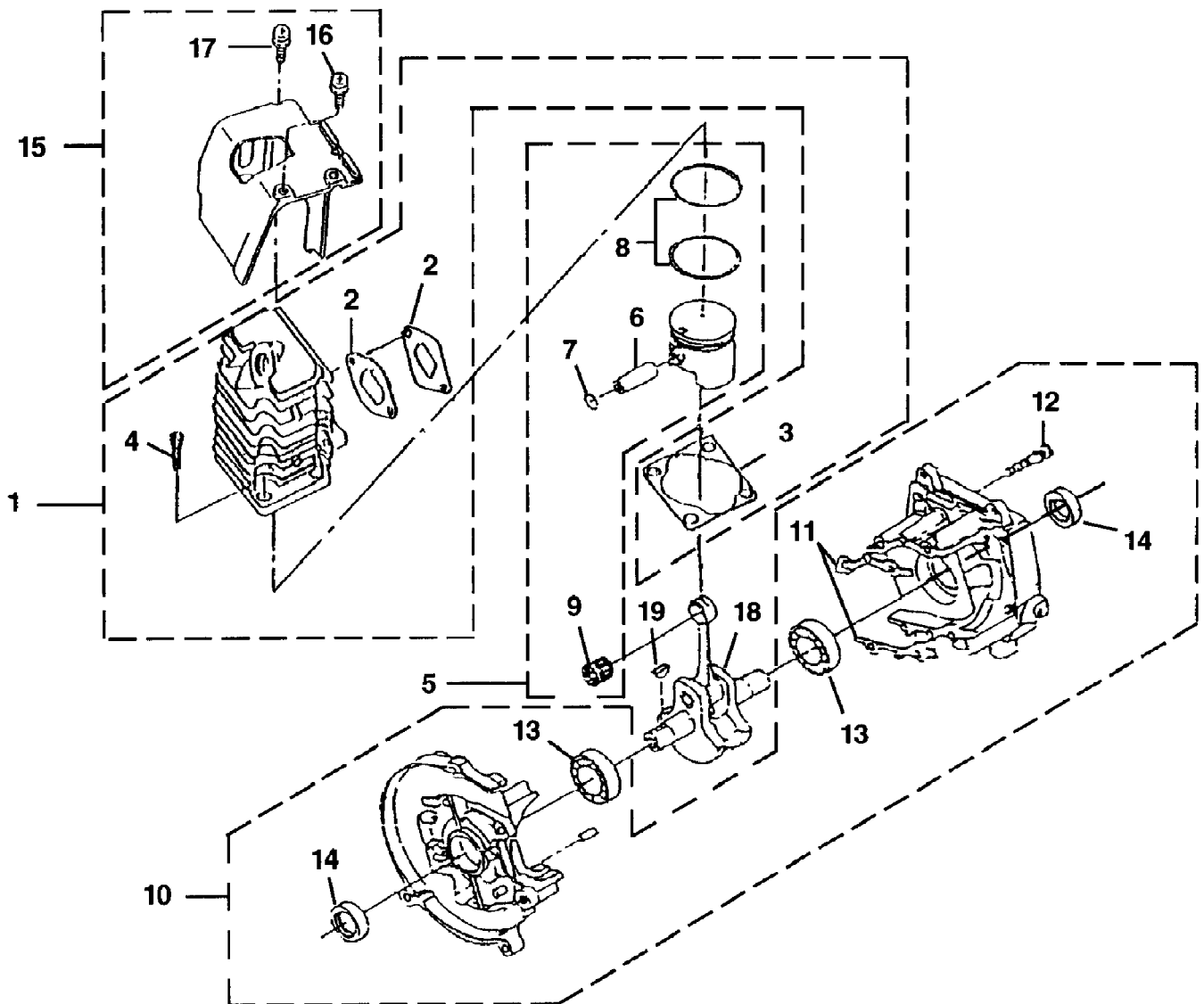
Ref #	Part Number	Qty	S/P/F	Description
1	UP05478	1		GEAR CASE ASSY
2	PS03214	1		BLADE BOLT M8, LH Torque Specs: 149 - 165 In/Lbs; 16.8 - 18.6 Nm
3	PS03213	1		WASHER
4	PS03212	1		BLADE CAP
5	PS03211	1		GRASS COVER (B)
6	PS03210	1		BLADE HOLDER
7	PS03209	1		TORX BOLT M6 X 8 Torque Specs: 39 - 47 In/Lbs; 4.4 - 5.3 Nm
8	PS03208	1		TORX BOLT M5 X 10 Torque Specs: 44 - 60 In/Lbs; 5.0 - 6.8 Nm
9	PS03204	2		TORX SCREW M5 X 20 Torque Specs: 44 - 60 In/Lbs; 5.0 - 6.8 Nm
10	PS03215	1		BOLT COVER
11	UP05476	1		GUARD ASSEMBLY
12	PS03202	1		GUARD
13	PS03203	1		PLATE
14	PS03204	4		TORX SCREW M5 X 20 Torque Specs: 52 - 68 In/Lbs; 5.9 - 7.7 Nm
15	UP05477	1		GUARD COMPLETE
16	PS03161	1		QUAD BLADE



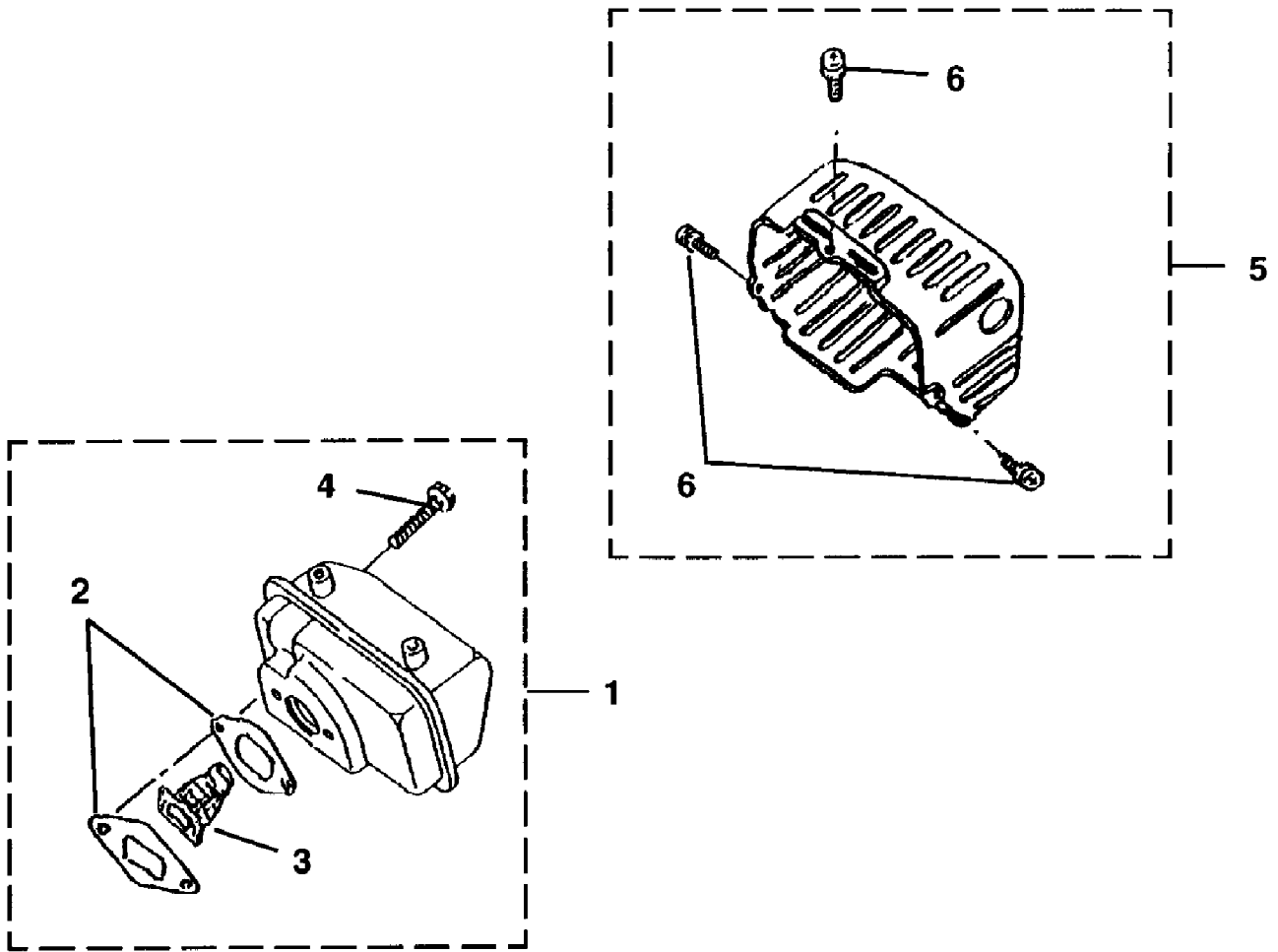
GT41 Trimmer/Brushcutter UT-26048  
Driveshaft - Throttle

Page 12 of 22

Ref #	Part Number	Qty	S/P/F	Description
1	UP05474	1		FLEXIBLE SHAFT/LINER ASSEMBLY
2	PS03186	1		FLEXIBLE LINER
3	PS03187	2		LINER CAP
4	PS03188	1		FLEXIBLE SHAFT
5	PS03189	1		CASE JOINT
6	PS03182	2		JOINT PIN COMPLETE
7	PS03183	2		PIN SPRING
8	PS03184	2		PLAIN WASHER 6
9	PS03185	2		SNAP RING E-5
10	PS03190	1		JOINT SHAFT
11	PS03191	1		BALL BEARING 6901ZZ
12	PS03193	1		SNAP RING S-12
13	PS03194	1		SNAP RING R-24
14	PS03208	1		TORX BOLT M5 X 10 Torque Specs: 44 - 60 In/Lbs; 5.0 - 6.8 Nm
15	PS03195	1		TORX BOLT M6 X 26 Torque Specs: 44 - 60 In/Lbs; 5.0 - 6.8 Nm
16	UP05475	1		THROTTLE LEVER
17	PS03196	1		COLLAR
18	PS03197	1		MAIN PIPE COMPLETE
19	PS03198	1		DRIVESHAFT



Ref #	Part Number	Qty	S/P/F	Description
1	UP05467	1		CYLINDER ASSEMBLY
2	PS03014	2		GASKET, MUFFLER
3	PS00745	1		GASKET-Cylinder
4	PS00747	4		SCREW-Socket Hd (M6 X 8) Torque Specs: 61 - 69 In/Lbs; 6.9 - 7.8 Nm
5	UP05468	1		PISTON ASSEMBLY
6	PS03009	1		PIN - PISTON
7	PS03010	2		RING - Retaining
8	PS03162	2		RING - Piston
9	PS03012	1		BEARING - Wrist Pin
10	UP05425	1		CRANKCASE ASSEMBLY
11	PS00751	1		GASKET-Crankcase
12	PS00752	4		SCREW-Socket Hd (M5 x 30 SW) Torque Specs: 33 - 37 In/Lbs; 3.7 - 4.2 Nm
13	PS03003	2	S	BEARING, BALL
14	PS03004	2		OIL SEAL
15	UP05448	1		CYLINDER COVER
16	PS00802	1		SCREW (M5 x 14 W SW) Torque Specs: 11 - 15 In/Lbs; 1.2 - 1.7 Nm
17	PS03074	1		SCREW (M5 X 20W SW) Torque Specs: 11 - 15 In/Lbs; 1.2 - 1.7 Nm
18	PS03008	1		CRANKSHAFT
19	PS00538	1		KEY-Woodruff

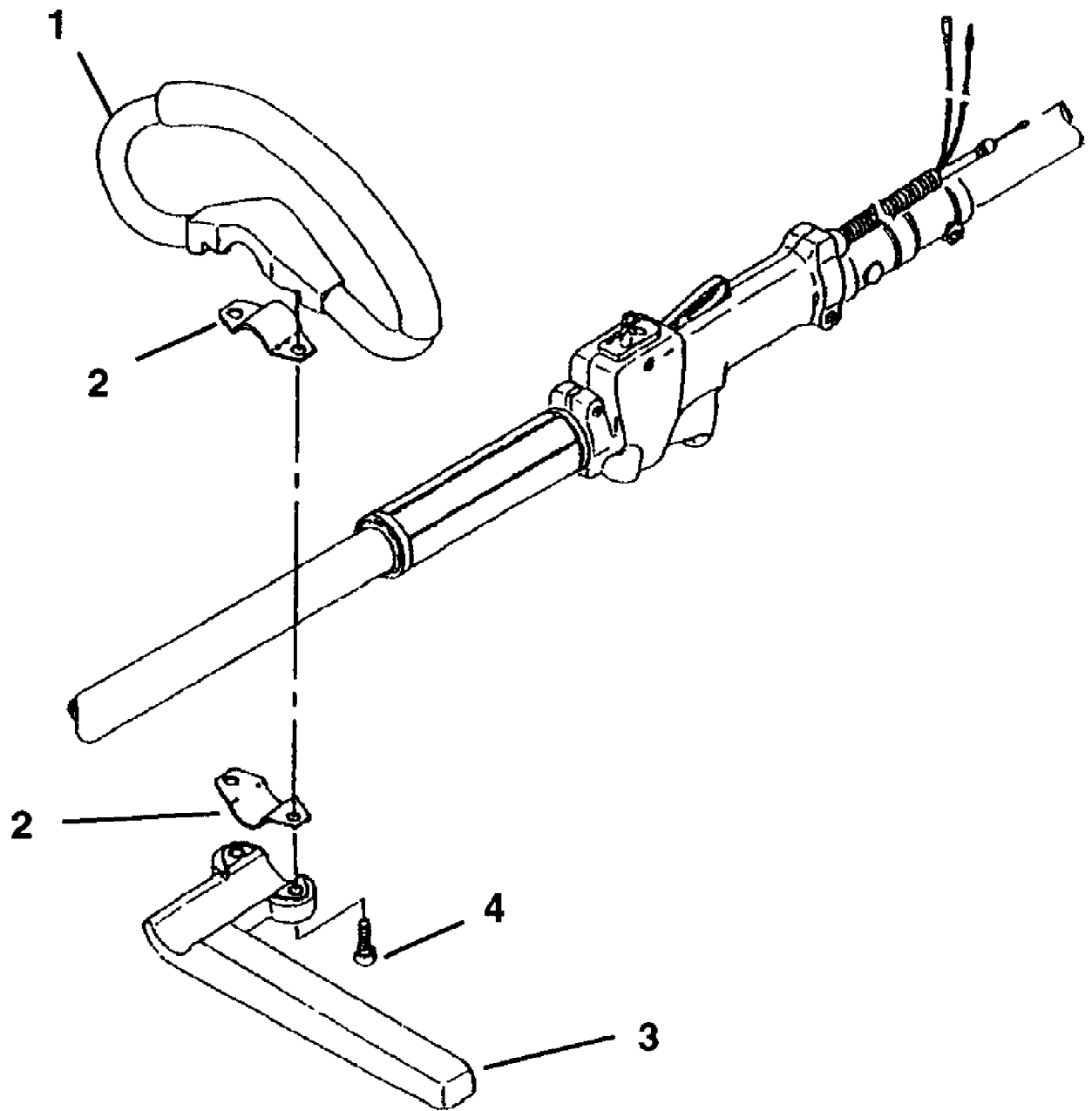


GT41 Trimmer/Brushcutter UT-26048  
Exhaust System

Page 16 of 22

Ref #	Part Number	Qty	S/P/F	Description
1	UP05428	1		MUFFLER ASSEMBLY
2	PS03014	2		GASKET- Muffler
3	PS03016	1		SPARK ARRESTER
4	PS03017	2		SCREW-Socket Hd (M6 X 60 SW) Torque Specs: 61 - 69 In/Lbs; 6.9 - 7.8 Nm
5	UP05449	1		MUFFLER COVER
6	PS00802	3		SCREW (M5 x 14 W SW) Torque Specs: 11 - 15 In/Lbs; 1.2 - 1.7 Nm



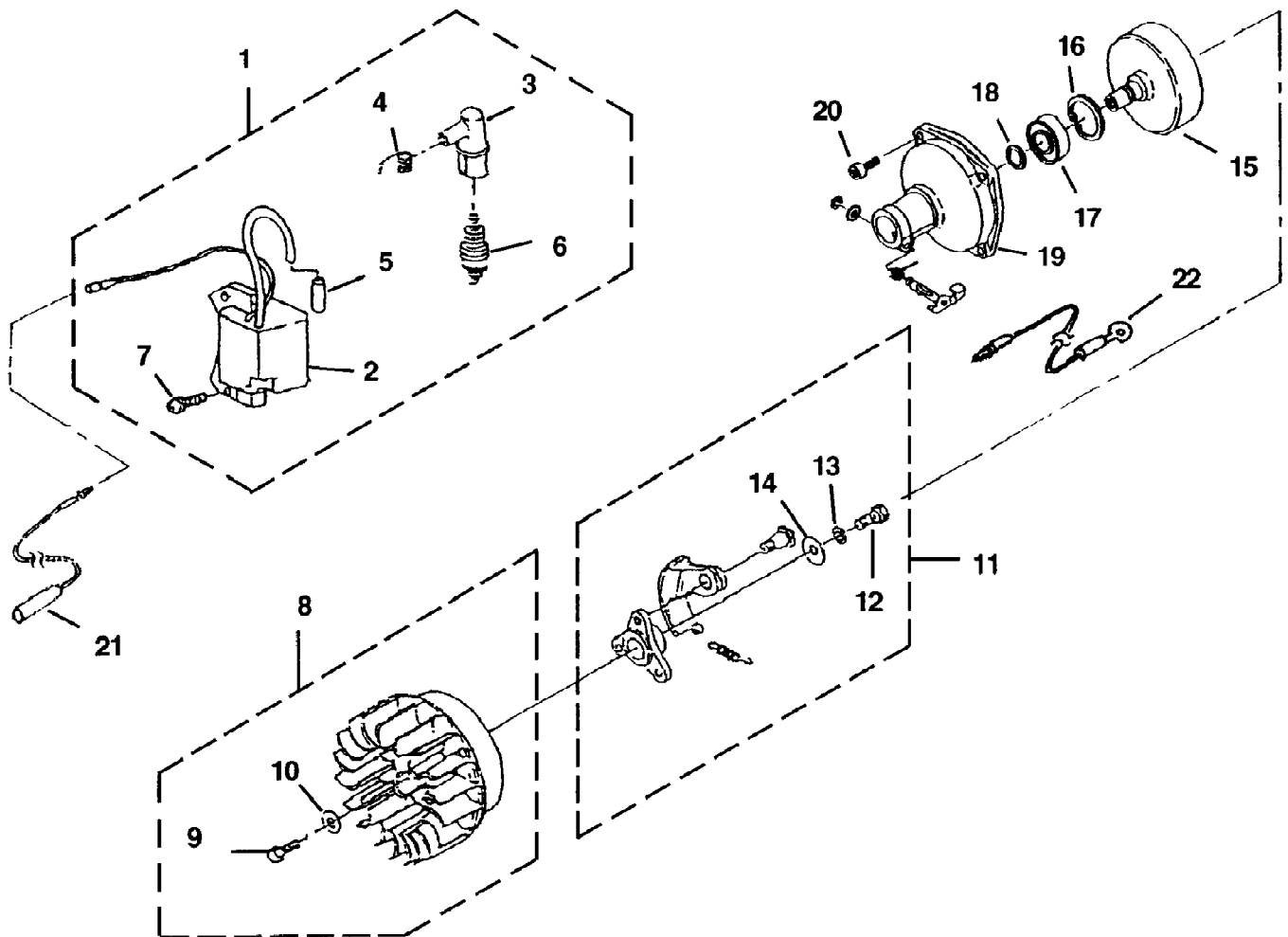


GT41 Trimmer/Brushcutter UT-26048  
Handle

Page 18 of 22

Ref #	Part Number	Qty	S/P/F	Description
1	UP05412	1		LOOP HANDLE
2	PS03199	2		GUARD STAY
3	PS03200	1		LOOP HANDLE BAR
4	PS03201	2	S	TORX BOLT M6 X 18 Torque Specs: 9 - 17 In/Lbs; 1.0 - 1.9 Nm

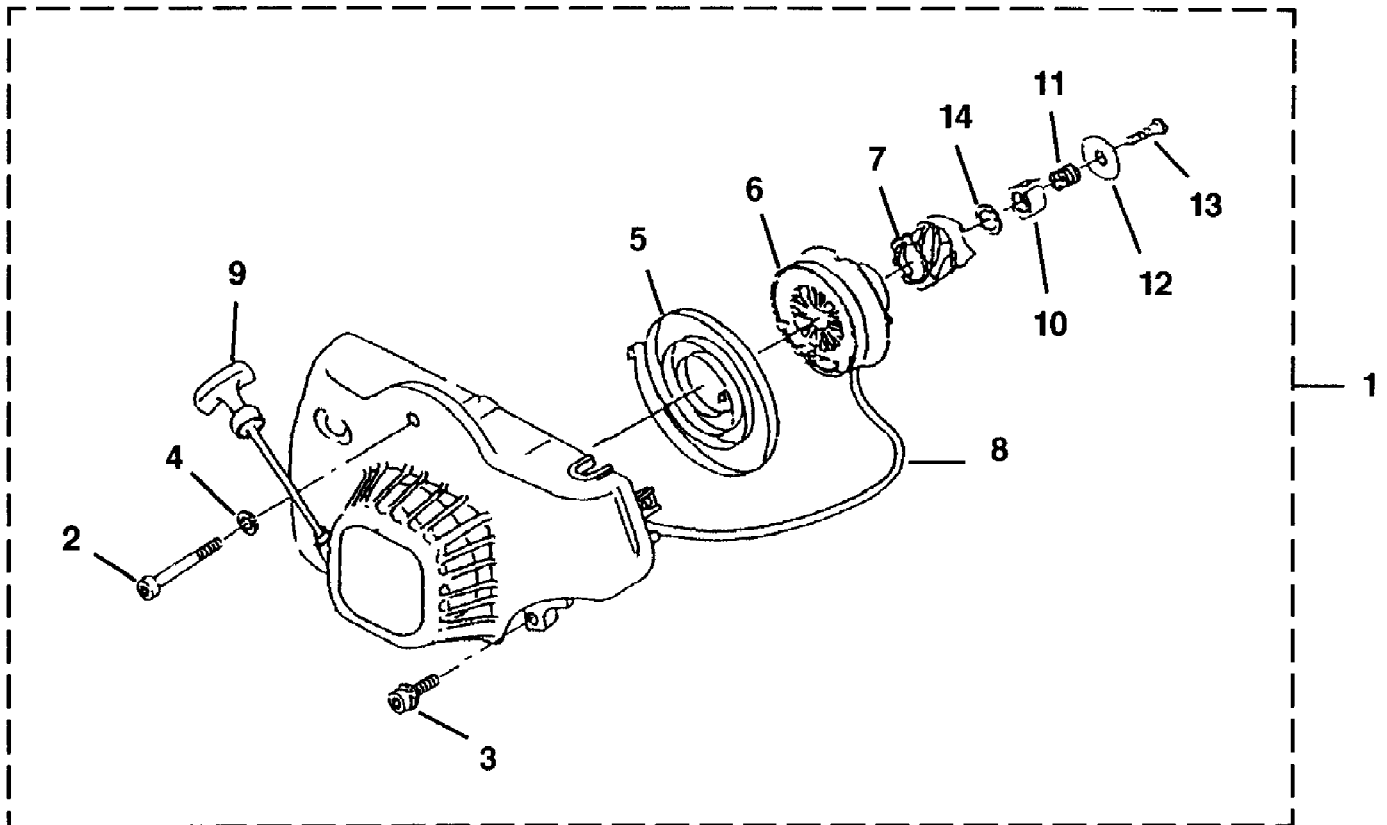
GT41 Trimmer/Brushcutter UT-26048  
Ignition - Rotor - Clutch - Isolator



GT41 Trimmer/Brushcutter UT-26048  
Ignition - Rotor - Clutch - Isolator

Page 20 of 22

Ref #	Part Number	Qty	S/P/F	Description
1	UP05442	1		IGNITION KIT
2	PS03044	1		MODULE - Ignition
3	PS03045	1		CAP - Plug
4	PS00499	1		SPRING-Plug Cap
5	PS03048	1		TUBE
6	PS03050	1		SPARK PLUG Torque Specs: 105 - 155 In/Lbs; 11.9 - 17.5 Nm
7	PS00764	2		SCREW-Socket Hd (M5 x 22 W) Torque Specs: 38 - 42 In/Lbs; 4.3 - 4.7 Nm
8	UP05443	1		ROTOR ASSEMBLY
9	PS03049	1		BOLT Torque Specs: 96 - 112 In/Lbs; 10.8 - 12.7 Nm
10	PS00716	1		WASHER
11	UP05452	1		CLUTCH ASSEMBLY
12	PS03085	1		BOLT Torque Specs: 65 - 87 In/Lbs; 7.3 - 9.8 Nm
13	PS03094	1		WASHER - Spring
14	PS00829	1		WASHER
15	PS03175	1		CLUTCH DRUM
16	PS03176	1		SNAP RING R-35
17	PS03177	1		BALL BEARING #620ZZZ
18	PS03178	1		SNAP RING S-15
19	PS03179	1		CLUTCH HOUSING
20	PS03180	4	/P	TORX BOLT M6 X 18
21	PS00853	1		WIRE
22	PS03181	1		WIRE



GT41 Trimmer/Brushcutter UT-26048  
Starter

Page 22 of 22

Ref #	Part Number	Qty	S/P/F	Description
1	UP05447	1		STARTER ASSEMBLY
2	PS03070	1		SCREW - Socket Hd (M5 X 50) Torque Specs: 26 - 34 In/Lbs; 2.9 - 3.8 Nm
3	PS00764	2		SCREW-Socket Hd (M5 x 22 W) Torque Specs: 26 - 34 In/Lbs; 2.9 - 3.8 Nm
4	PS03071	1		WASHER
5	PS03062	1		SPRING
6	PS03063	1		PULLEY
7	PS03064	1		RATCHET
8	PS00711	1		ROPE-Starter
9	PS00801	1		GRIP
10	PS03066	1		RATCHET GUIDE
11	PS03067	1		SPRING - Friction
12	PS03068	1		WASHER
13	PS03069	1		SCREW Torque Specs: 26 - 34 In/Lbs; 2.9 - 3.8 Nm
14	PS03065	1		THRUST WASHER