

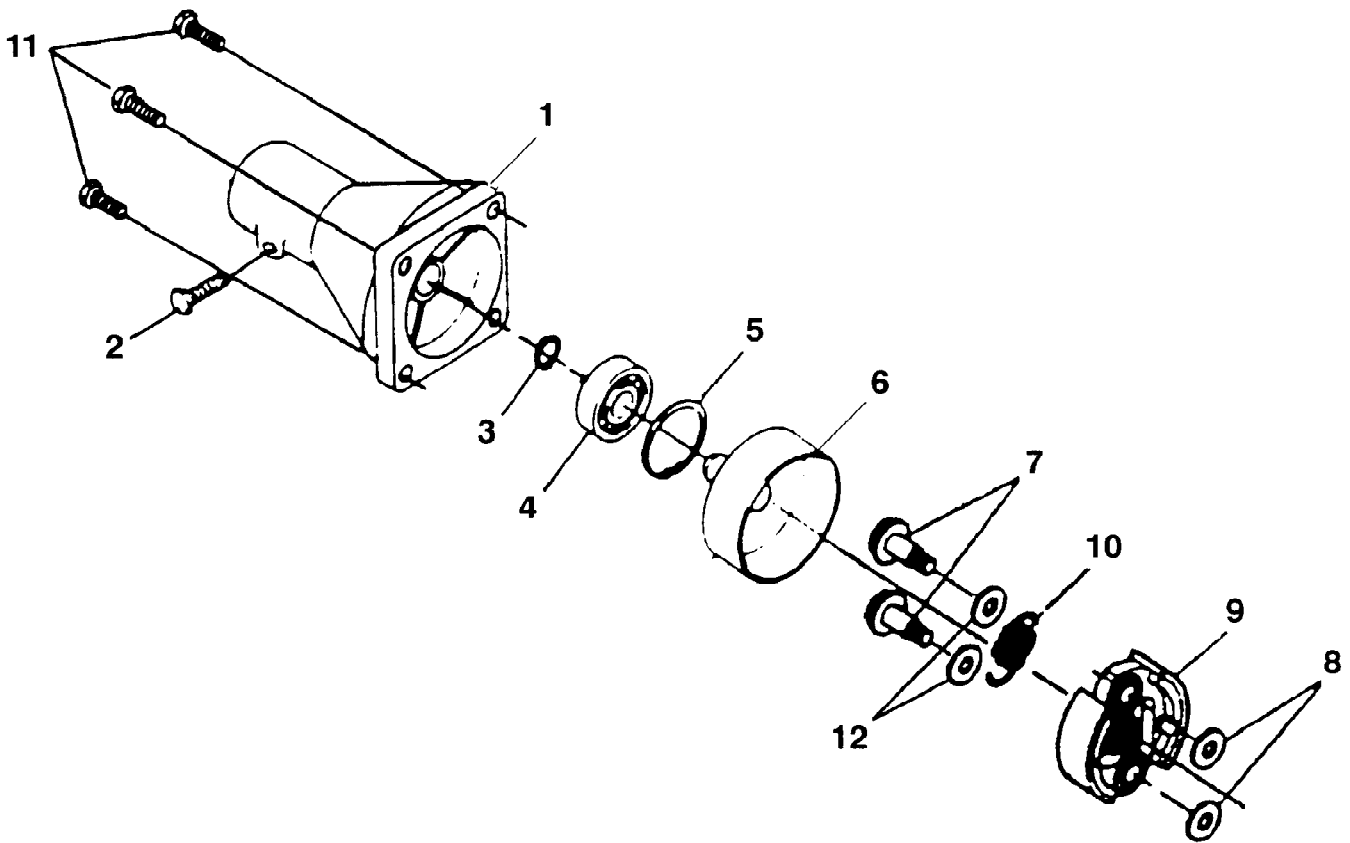
2600 UT-26032-A
Air Filter & Carburetor

Page 2 of 24

Ref #	Part Number	Qty	S/P/F	Description
1	07752	1	S	SCREW & WASHER Torque Specs: 35-45 In/Lbs; 4-5 Nm
2	07754	1		LABEL, CHOKE
3	07751	1		COVER
4	07753	1		NUT
5	07750	1		ELEMENT
6	07749	2		SCREW & WASHER Torque Specs: 35-45 In/Lbs; 4-5 Nm
7	07748	1		BRACKET
8	07747	1		BASE
9	A08000	1		CARBURETOR (23cc)
10	07743	1		GASKET, CARB
9	A08001	1		CARBURETOR (26cc)
10	07743	1		GASKET, CARB
11	GM002804	2		SCREW & WASHER Torque Specs: 35-45 In/Lbs; 4-5 Nm
12	07742	1		INSULATOR
13	07741	1		GASKET, INSULATOR

2600 UT-26032-A
Clutch

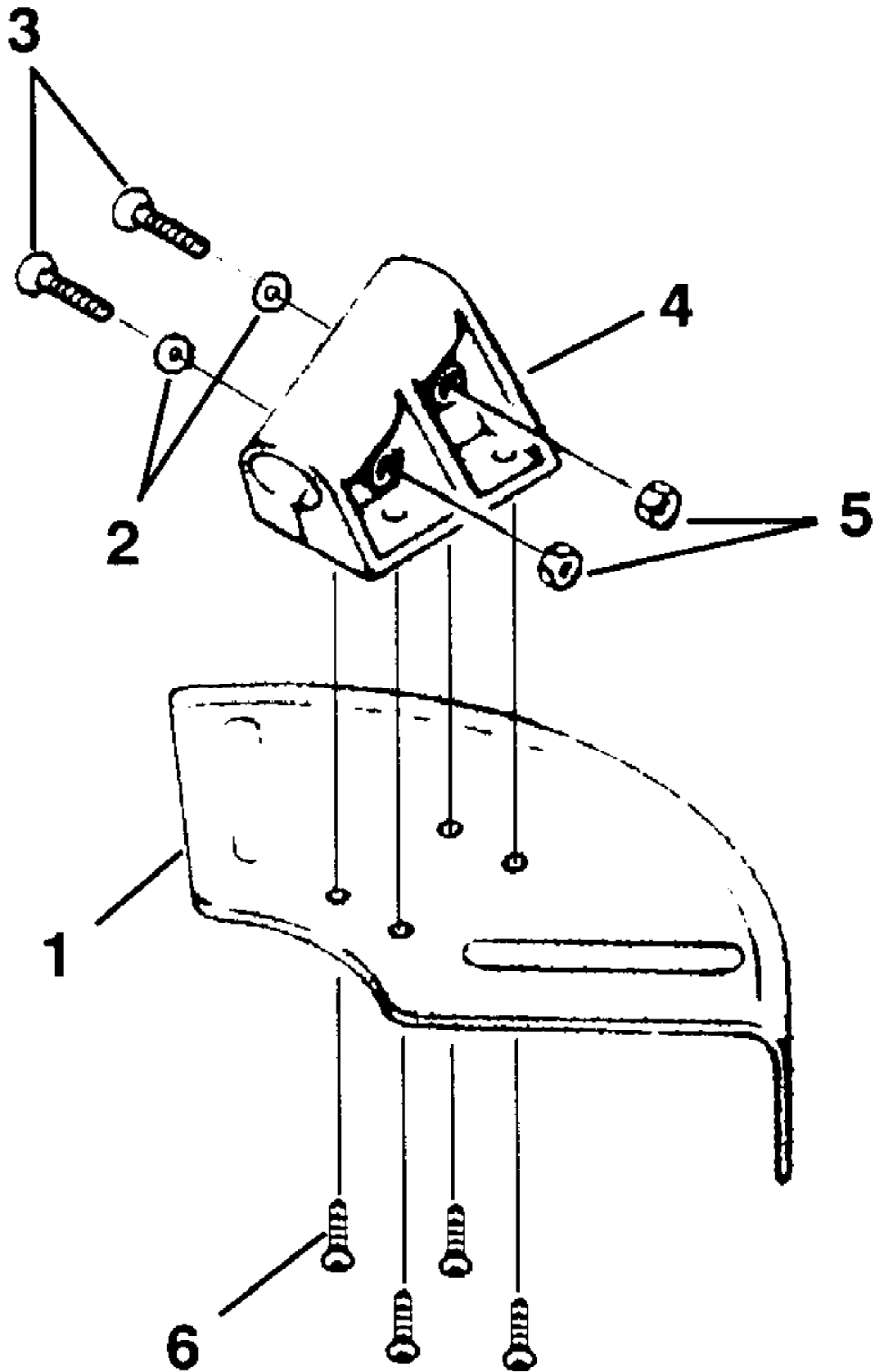
Page 3 of 24



2600 UT-26032-A
Clutch

Page 4 of 24

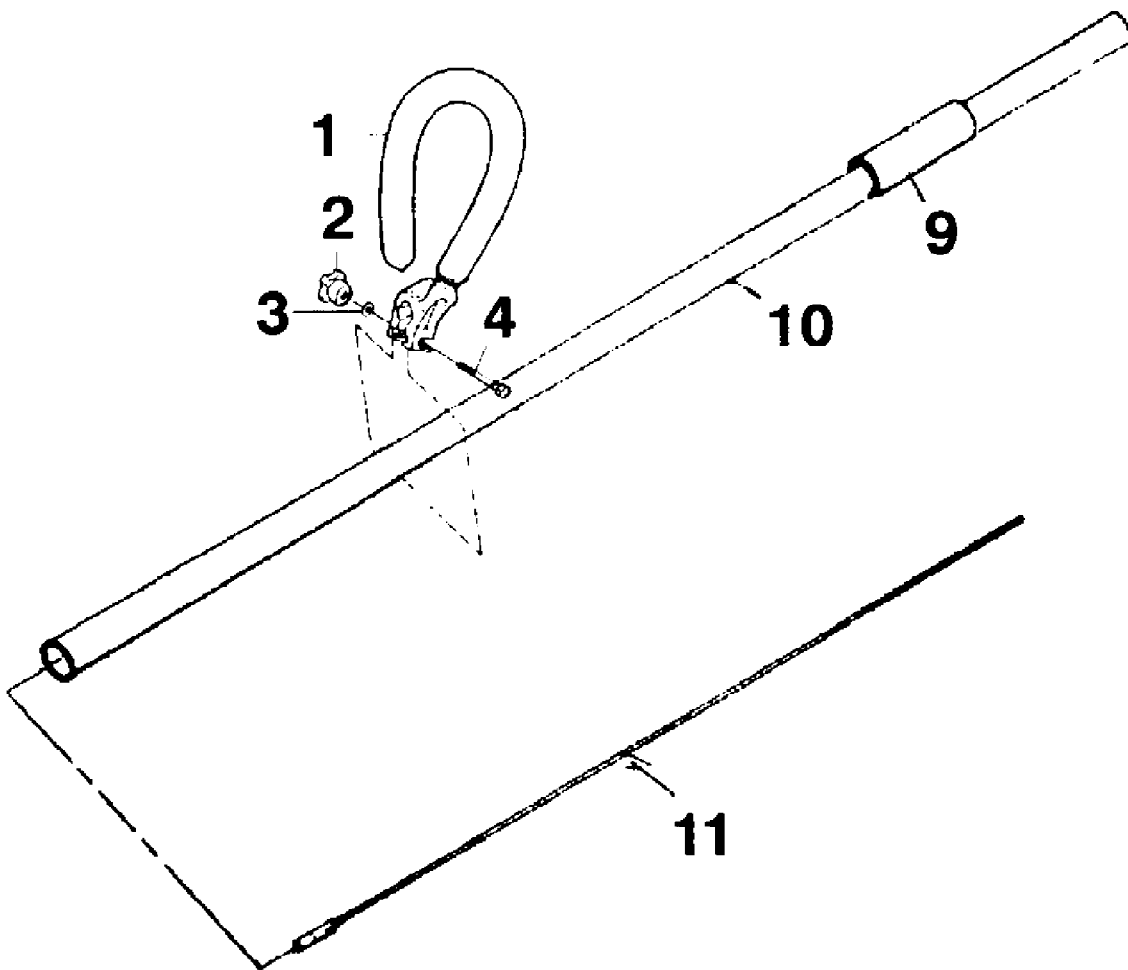
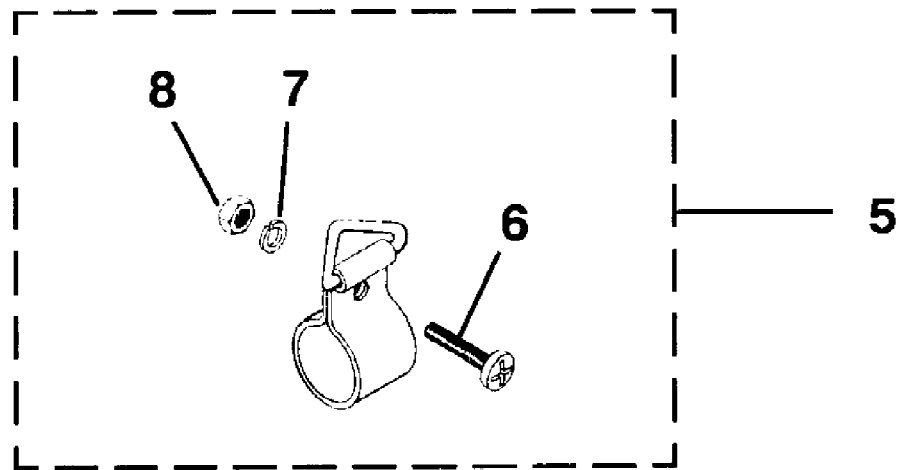
Ref #	Part Number	Qty	S/P/F	Description
1	A08854	1	/P	CLUTCH CASE ASSY
2	GM032803	1	/P	BOLT & WASHER Torque Specs: 55-65 In/Lbs; 5.9-7.8 Nm
3	GM062101	1	S	SNAP RING
4	GM070009	1		BALL BEARING
5	GM062801	1	/P	SNAP RING
6	08984	1		CLUTCH DRUM
7	07766	2	S	BOLT, CLUTCH Torque Specs: 55-65 In/Lbs; 5.9-7.8 Nm
8	07767	2		WASHER, CLUTCH
9	A07764	1	/P	CLUTCH ASSY
10	GM287901	1		SPRING, CLUTCH
11	GM030005	4	/P	BOLT & WASHER Torque Specs: 55-65 In/Lbs; 5.9-7.8 Nm
12	07768	2		WASHER, Clutch Bolt



2600 UT-26032-A
Deflector

Page 6 of 24

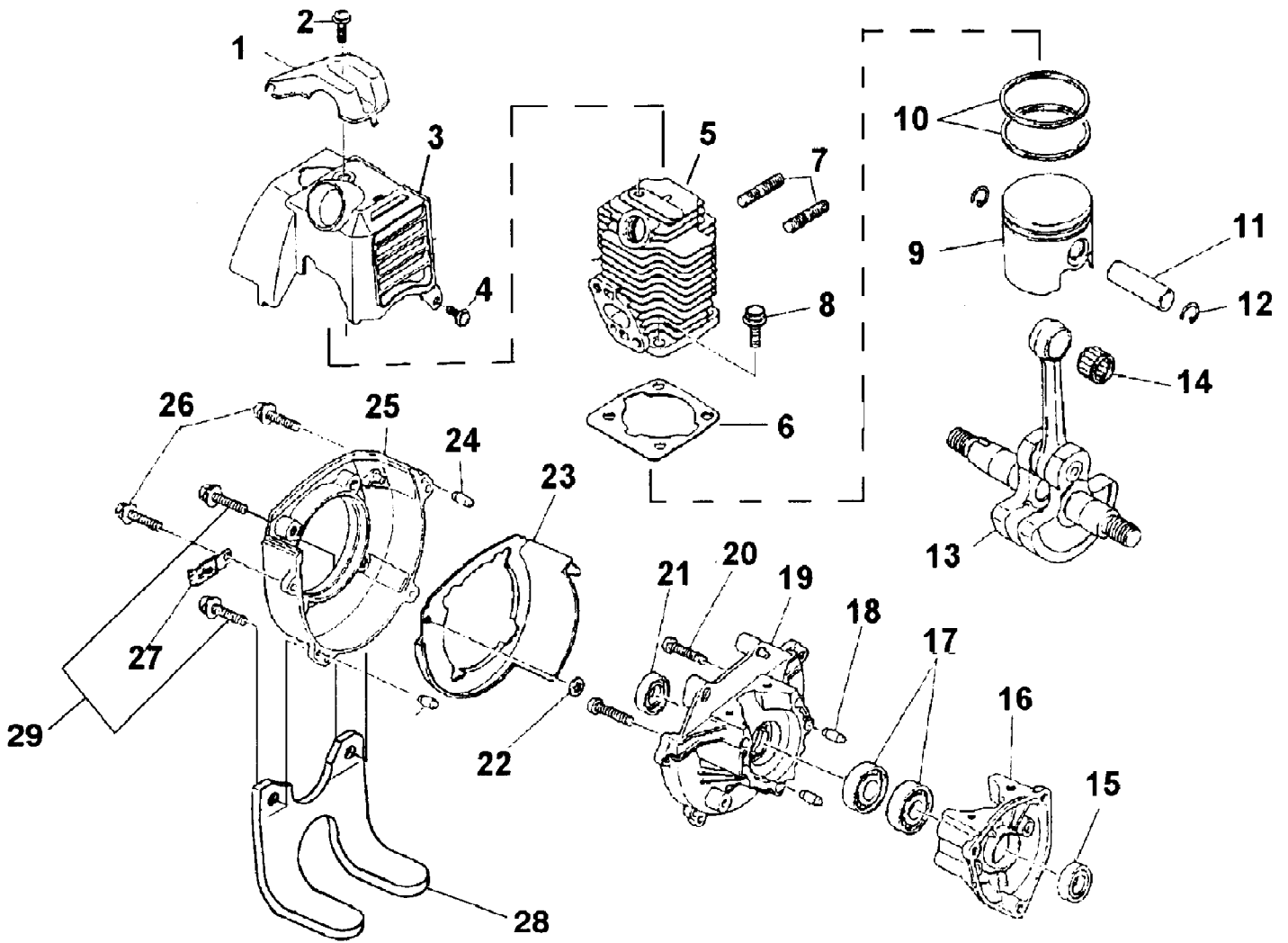
Ref #	Part Number	Qty	S/P/F	Description
	GM24700A	1	/P	BLADE GUARD ASSY
1	GM247001	1	S	BLADE GUARD
2	GM040002	2		WASHER
3	GM011417	2	/P	SCREW Torque Specs: 25-35 In/Lbs; 2.8-4.0 Nm
4	GM245201	1		BRACKET, GUARD
5	GM051012	2		NUT
6	GM011423	4	S	SCREW, SELF TAPPING Torque Specs: 35-45 In/Lbs; 4-5 Nm



2600 UT-26032-A
Driveshaft & Handle

Page 8 of 24

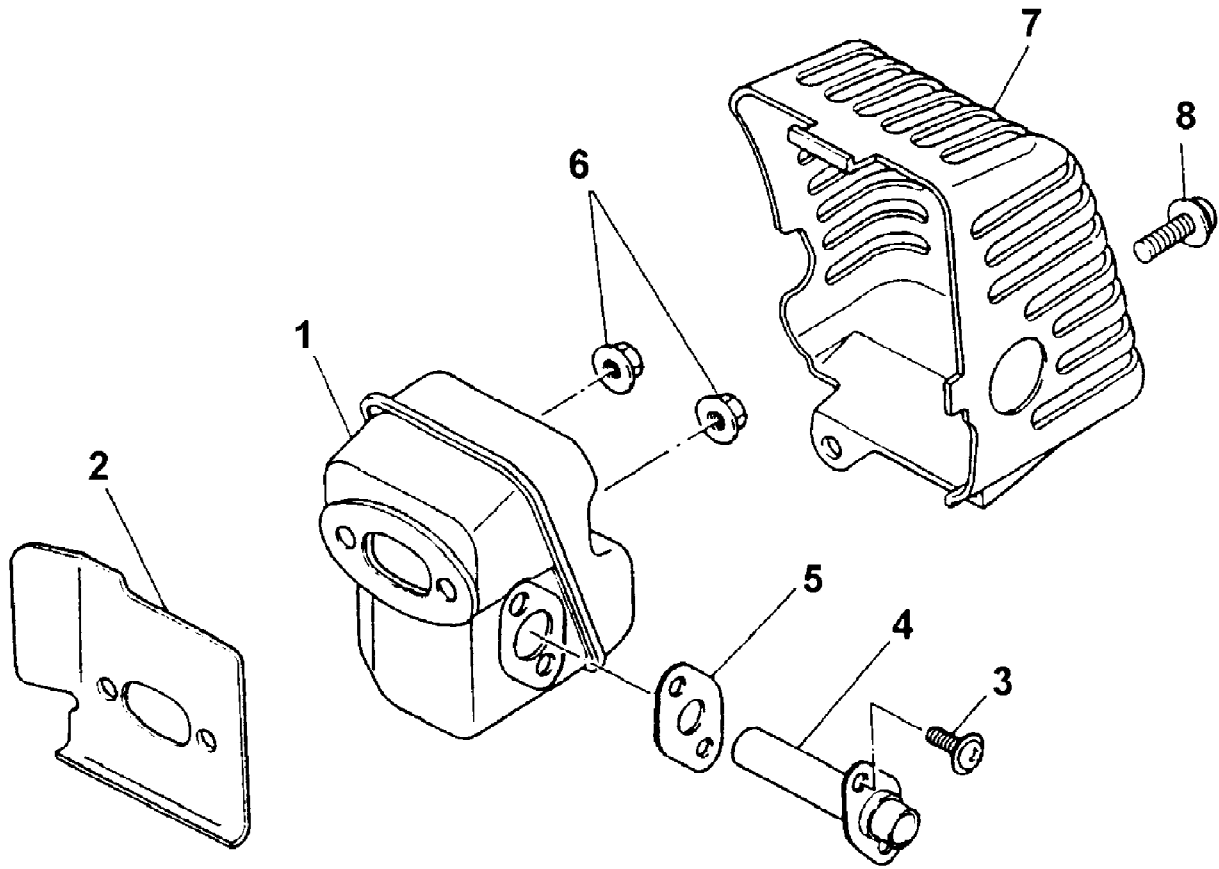
Ref #	Part Number	Qty	S/P/F	Description
1	GM300302	1		HANDLE ASSY
2	08290	1	/P	KNOB
3	84006	1	/P	WASHER
4	80295	1	/P	BOLT, HEX
5	GM300245	1	S	HANGER ASSY
6	GM010002	1	/P	SCREW
7	GM041101	1	/P	WASHER
8	GM050003	1		NUT Torque Specs: 5-30 In/Lbs; 5-3.4 Nm
9	GM300038	1	/P	GRIP
10	GM280341	1		TUBE
11	GM287801	1		FLEX CABLE



2600 UT-26032-A
Engine Internal

Page 10 of 24

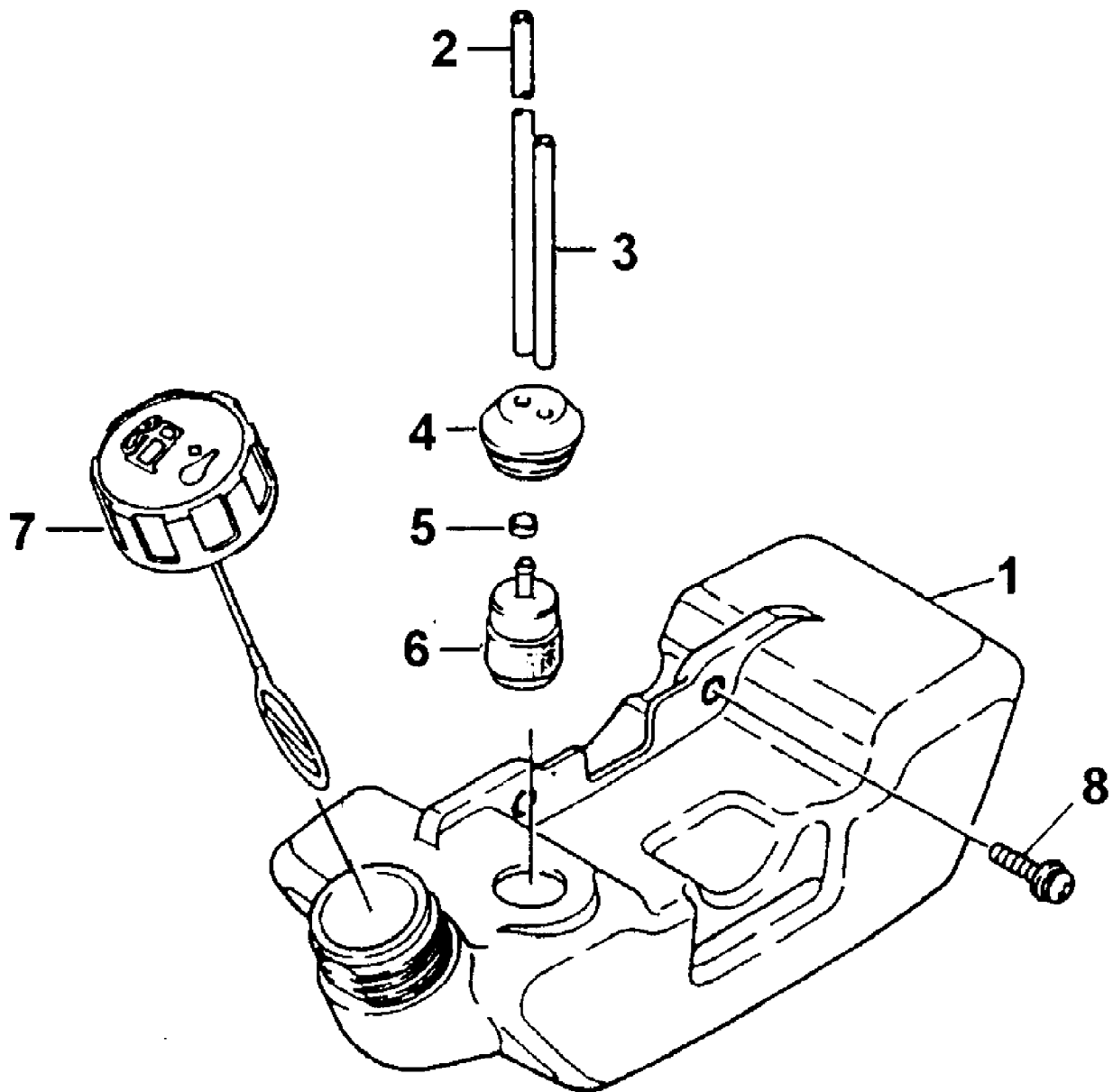
Ref #	Part Number	Qty	S/P/F	Description
1	07722	1		GUARD, PLUG
2	07723	1		SCREW & WASHER Torque Specs: 35-45 In/Lbs; 4-5 Nm
3	07721	1		COVER, TOP
4	07724	1	/P	SCREW & WASHER Torque Specs: 35-45 In/Lbs; 4-5 Nm
5	A07888	1		CYLINDER ASSY (23cc)
6	07718	1		GASKET, CYLINDER
5	A07889	1		CYLINDER ASSY (26cc)
6	07718	1		GASKET, CYLINDER
7	07720	2		STUD
8	07719	1		SCREW & WASHER Torque Specs: 35-45 In/Lbs; 4-5 Nm
9	A07890	1		PISTON ASSY (23cc)
10	07732	2		RING, PISTON (23cc)
11		1		PIN, PISTON
12		2		CLIP, PISTON PIN
9	A07891	1		PISTON ASSY (26cc)
10	07733	2		RING, PISTON (26cc)
11		1		PIN, PISTON
12		2		CLIP, PISTON
13	A07892	1		CRANKSHAFT ASSY (23cc)
14	GM071410	1	/P	BEARING, NEEDLE
13	A07893	1	/P	CRANKSHAFT ASSY (26cc)
14	GM071410	1	/P	BEARING
15	07708	1	/P	OIL SEAL
16	07707	1		CASE, STARTER
17	GM071009	2		BEARING
18	07709	2		PIN, DOWEL
19	07706	1		CASE, DRIVE
20	GM002805	3		SCREW Torque Specs: 35-45 In/Lbs; 4-5 Nm
21	GM081502	1	S	OIL SEAL
22	07712	1		NUT
23	07711	1		NOSE
24	07710	2		PIN, DOWEL
25	07713	1		CASE, FAN
26	07714	2		BOLT & WASHER Torque Specs: 35-45 In/Lbs; 4-5 Nm
27	07725	1		CLAMP
28	A08887	1		ENGINE STAND
29	08888	2		SCREW Torque Specs: 35-45 In/Lbs; 4-5 Nm



2600 UT-26032-A
Exhaust System

Page 12 of 24

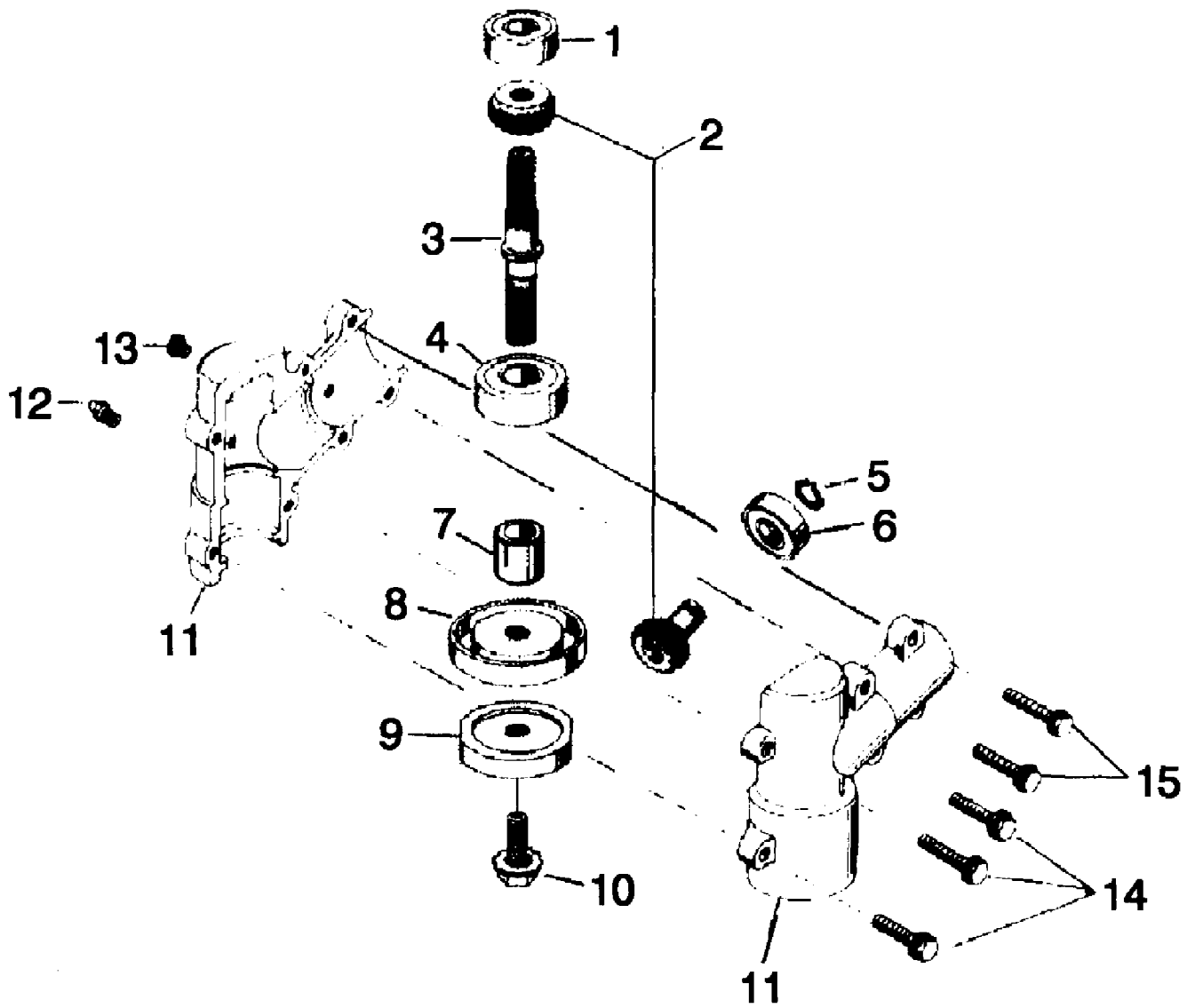
Ref #	Part Number	Qty	S/P/F	Description
1	A07894	1	/P	MUFFLER ASSY
2	07755	1		GASKET, MUFFLER
3	07761	2		SCREW & WASHER Torque Specs: 35-45 In/Lbs; 4-5 Nm
4	07758	1		TAIL PIPE
5	PS07759	1	/P	GASKET, TAIL PIPE
6	GM050069	2		NUT, FLANGE Torque Specs: 35-45 In/Lbs; 4-5 Nm
7	PS07762	1	/P	COVER, MUFFLER
8	07763	1		SCREW & WASHER Torque Specs: 35-45 In/Lbs; 4-5 Nm



2600 UT-26032-A
Fuel Tank

Page 14 of 24

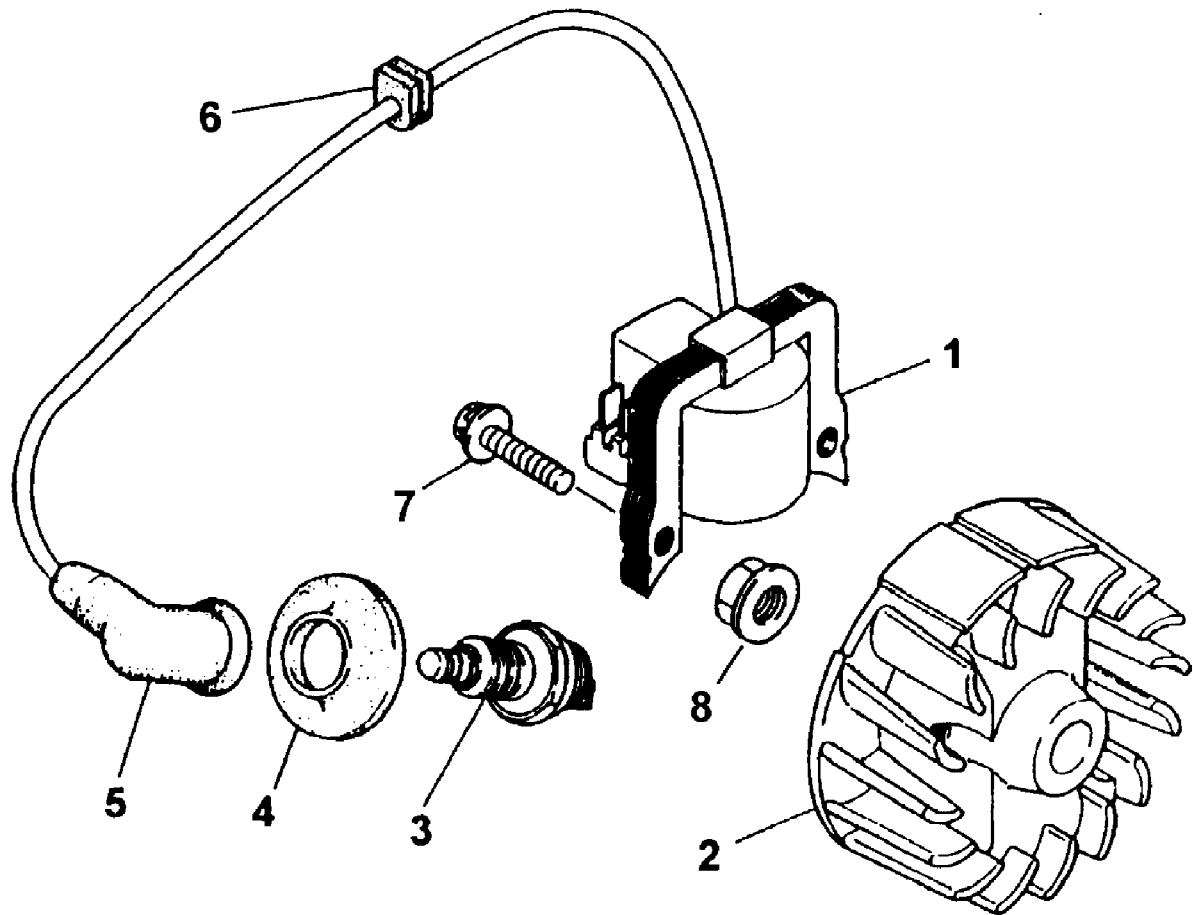
Ref #	Part Number	Qty	S/P/F	Description
1	A07782	1	/P	FUEL TANK ASSY (23cc)
2	07790	1		TUBE, FUEL
3	07791	1		TUBE, FUEL
4	07789	1		PLUG
5	07792	1		BUSHING
6	07793	1		FILTER, FUEL
7	07784	1		TANK CAP
1	A07783	1		FUEL TANK ASSY (26cc)
2	07790	1		TUBE, FUEL
3	07791	1		TUBE, FUEL
4	07789	1		PLUG
5	07792	1		BUSHING
6	07793	1		FILTER, FUEL
7	07784	1		TANK CAP
8	07794	2	/P	SCREW & WASHER Torque Specs: 35-45 In/Lbs; 4-5 Nm



2600 UT-26032-A
Gearcase

Page 16 of 24

Ref #	Part Number	Qty	S/P/F	Description
	GM270303	1	S	GEARCASE ASSEMBLY
1	09147	1		BEARING
2	GM190609	1	/P	GEAR SET
3	GM226706	1		SHAFT, GEAR
4	09141	1		BEARING
5	09151	1	/P	RING
6	09134	1	S	BEARING
7	GM226705	1		COLLAR
8	GM300070	1		UPPER FLANGE WASHER
9	GM300075	1	S	LOWER FLANGE WASHER
10	09140	1	S	SEMS SCREW, BLADE Torque Specs: 55-65 In/Lbs; 6.2-7.3 Nm
11	GM270306	1		HOUSING SET
12	GM286716	1	/P	FITTING, ZERK
13	82459	1	/P	SCREW, SELF TAPPING Torque Specs: 40-50 In/Lbs; 4.5-5.6 Nm
14	825491	3	S	SCREW, SELF TAPPING Torque Specs: 40-50 In/Lbs; 4.5-5.6 Nm
15	825491	2	S	SCREW, SELF TAPPING Torque Specs: 40-50 In/Lbs; 4.5-5.6 Nm



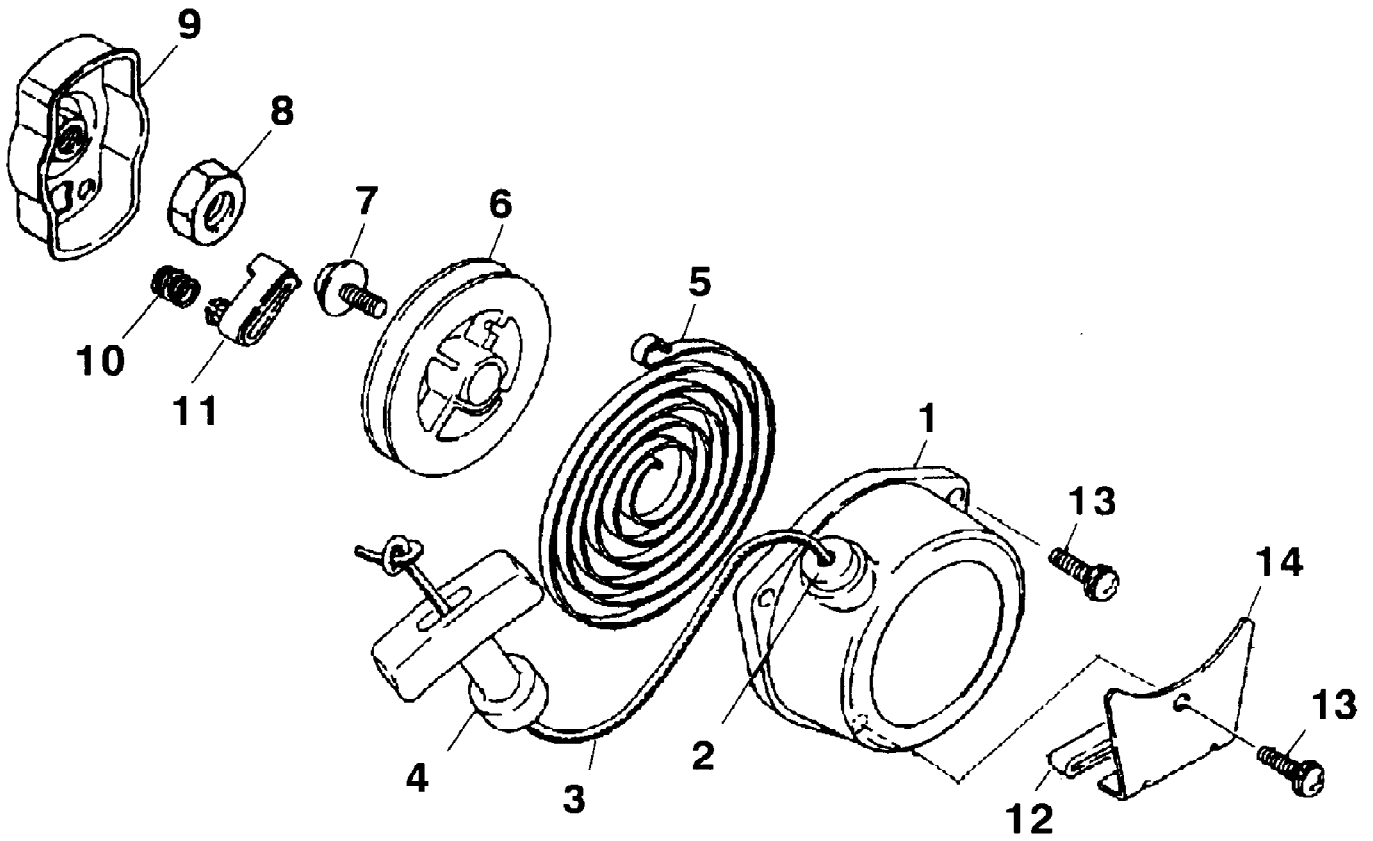
2600 UT-26032-A
Ignition

Page 18 of 24

Ref #	Part Number	Qty	S/P/F	Description
1	07736	1		COIL, IGNITION
2	07735	1		ROTOR w/key
3	GM190036	1	/P	SPARK PLUG
4	07739	1		CAP, GROMMET
5	07737	1	/P	CAP, PLUG
6	07738	1		GROMMET, WIRE
7	GM030104	2		BOLT & WASHER Torque Specs: 35-45 In/Lbs; 4-5 Nm
8	GM052804	1	/P	NUT Torque Specs: 69-87 In/Lbs; 7.8-9.8 Nm
?9	07740	1		WIRE, LEAD (NOT SHOWN)

2600 UT-26032-A
Starter

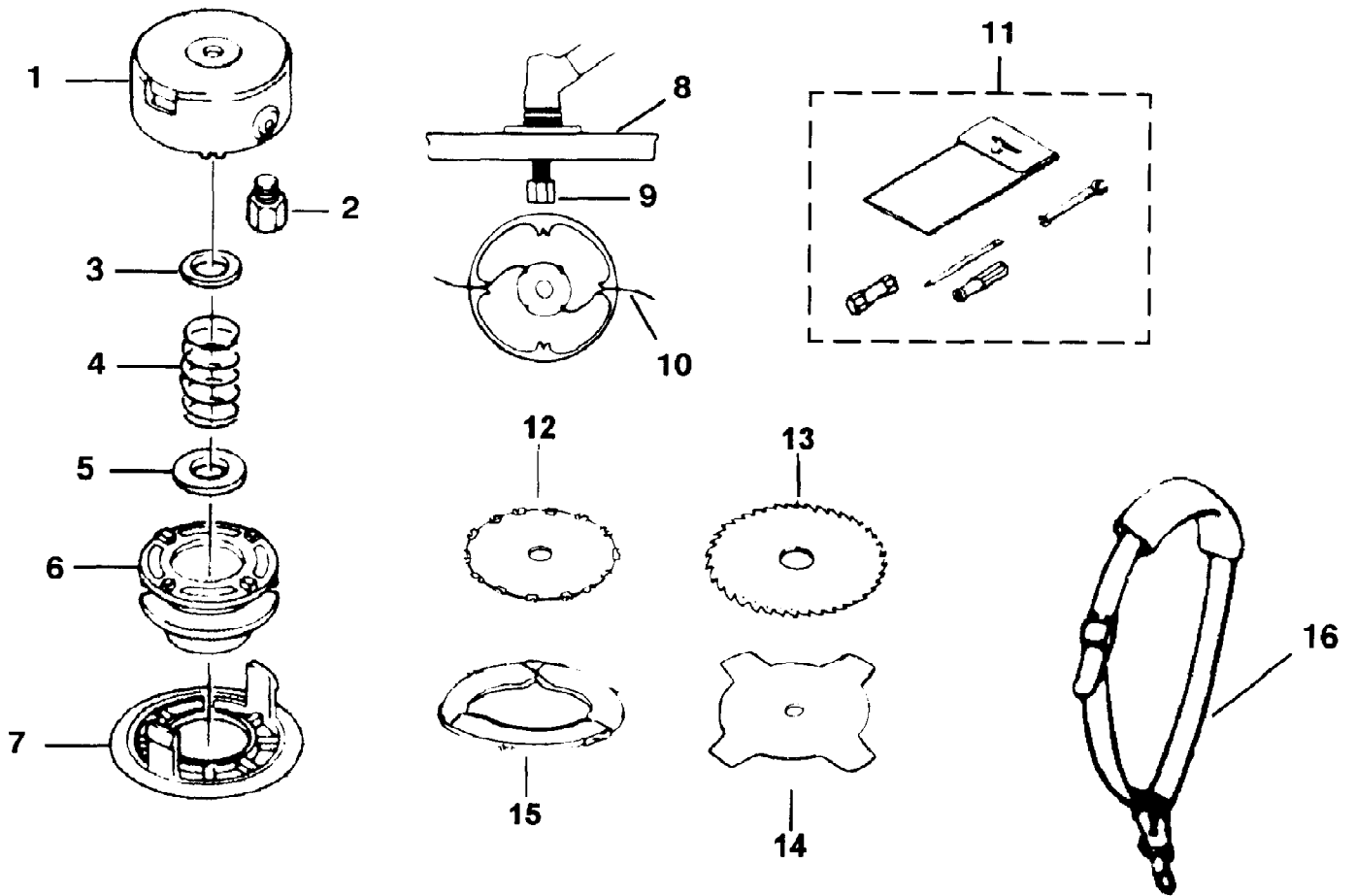
Page 19 of 24



2600 UT-26032-A
Starter

Page 20 of 24

Ref #	Part Number	Qty	S/P/F	Description
1	A07769	1	/P	STARTER ASSY
2	07772	1		GUIDE
3	GM287305	1	/P	ROPE, STARTER
4	GM287306	1	/P	KNOB, STARTER
5	GM287304	1		SPRING, REWIND
6	GM287303	1		REEL
7	07771	1		SCREW & WASHER Torque Specs: 35-45 In/Lbs; 4-5 Nm
8	07734	1		NUT Torque Specs: 52-69 In/Lbs; 5.9-7.8 Nm
9	A07773	1	/P	PULLEY ASSY, STARTER
10	07775	1		SPRING, RETURN
11	07774	1		RATCHET
12	07778	1		PAD
13	07724	3	/P	SCREW & WASHER Torque Specs: 35-45 In/Lbs; 4-5 Nm
14	07777	1		BRACKET (INCLUDES NO. 11)



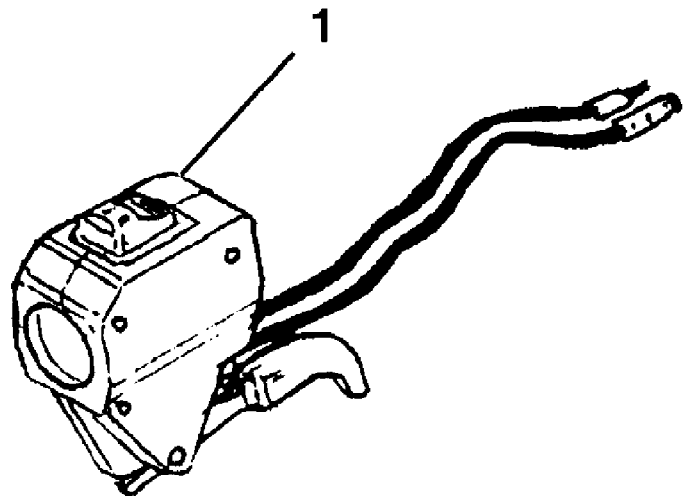
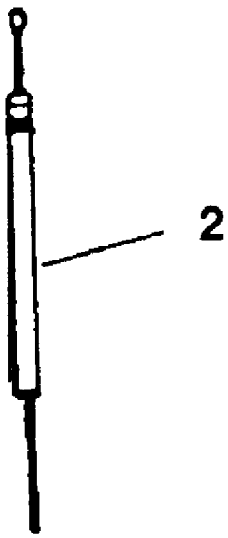
2600 UT-26032-A
Stringhead & Accessories

Page 22 of 24

Ref #	Part Number	Qty	S/P/F	Description
	DG07796	1	/P	4" TFC HEAD ASSY
1	GM180302	1	/P	HEAD BODY
2	GM226701	1	/P	ARBOR BOLT
3	GM166903	1		SPRING PLATE
4	GM167901	1	S	SPRING
5	GM166903	1		SPRING PLATE
6	GM185206	1	S	SPOOL
7	GM185205	1	/P	CAP
8	DG07799	1		FIXED LINE HEAD ASSY (OPT.)
9	GM325205	1		ARBOR BOLT
10	DG07809	1	/P	GREEN LINE .080 X 20ft.
11	GM280603	1		TOOLKIT
12	DG07817	1		8" XRT BLADE (OPT.)
13	DG07815	1	/P	8" SAW BLADE (OPT.)
14	DG07813	1	/P	8" QUAD BLADE (OPT.)
15	GM94110	1	/P	BLADE COVER (OPT.)
16	GM280311	1	S	HARNESS (OPT)

2600 UT-26032-A
Throttle

Page 23 of 24



2600 UT-26032-A
Throttle

Page 24 of 24

Ref #	Part Number	Qty	S/P/F	Description
1	A08423B	1	S	THROTTLE ASSY
2	08197	1	S	THROTTLE CABLE