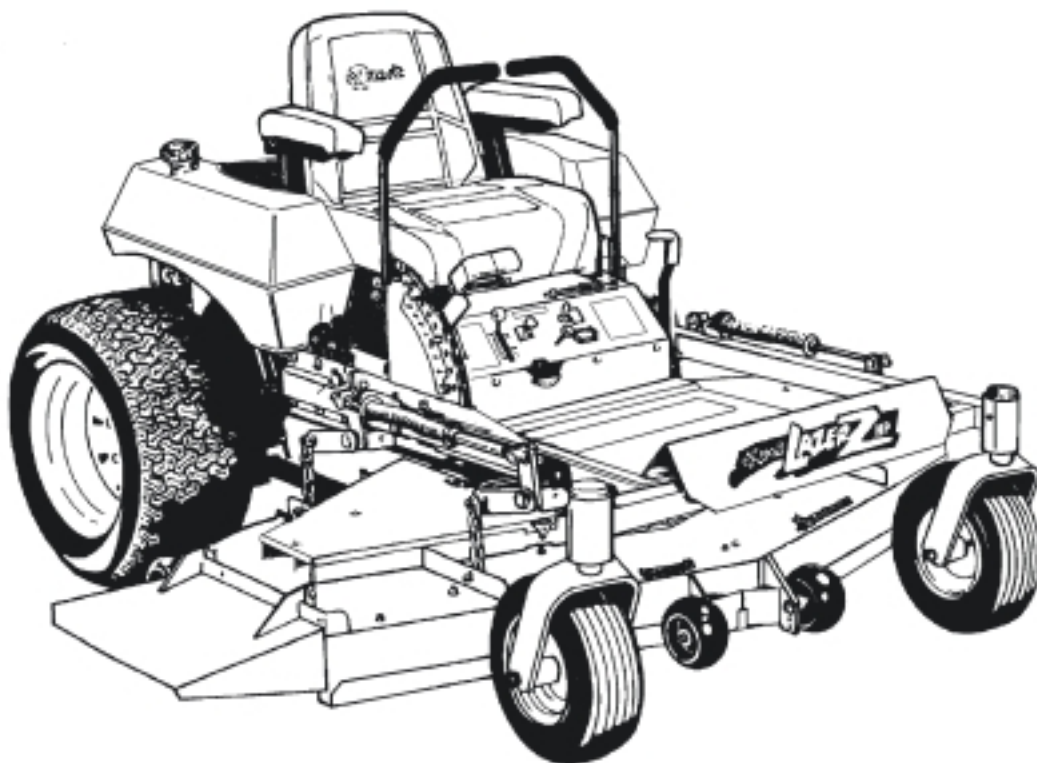


For Serial Nos.  
220,000 & Higher



PARTS MANUAL

# LAZER Z™ HP

**CONGRATULATIONS** on the purchase of your new Exmark mower. This product has been carefully designed and manufactured to give you a maximum amount of dependability and years of trouble-free operation.

If additional information is needed, or should you require trained mechanic service, contact your authorized Exmark equipment dealer or distributor.

If you need to order replacement parts from your dealer, always give the model number and serial number of your mower as well as the part number, description and quantity of the part needed.

The Serial No. plate is located on the right side of the console.

For ease of ordering and reference, we suggest that you record the information requested in the following identification table.

Model No. \_\_\_\_\_

Serial No. \_\_\_\_\_

Engine Model No. \_\_\_\_\_

Engine Serial No. \_\_\_\_\_

Date Purchased \_\_\_\_\_

Paste Label From  
Literature Packet Here



## EXMARK PARTS PLUS® PROGRAM

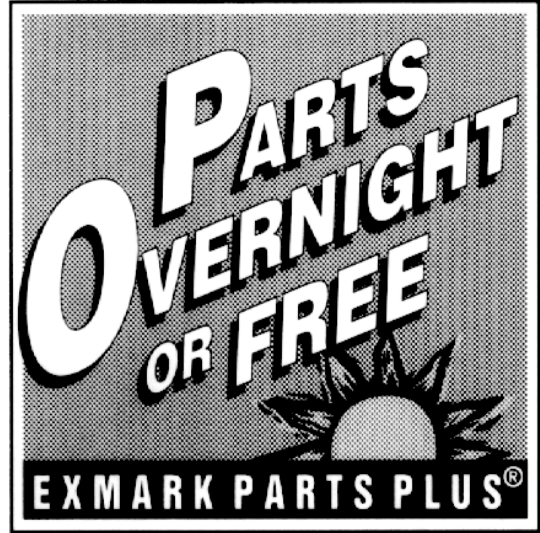
**EFFECTIVE DATE: September 1, 1995**

### Program

If your Exmark dealer does not have the Exmark part in stock, Exmark will get the parts to the dealer the next business day or the part will be FREE\* Guaranteed!!

### **How the Program Works**

1. If dealer does not have part in stock for a "down" unit at the time of request by customer, the dealer contacts his distributor by 1:00 p.m., local time, and requests Exmark Parts Plus® shipment of six (6) line items or less.
2. Distributor ships part(s) to dealer or customer, as requested by dealer, same day, overnight UPS. Distributor bills dealer for part and freight charges where applicable.
3. If distributor does not have the part(s) in stock to satisfy Exmark Parts Plus® order, he contacts Exmark by 3:00 p.m., central time, with an Exmark Parts Plus® order of six (6) line items or less.
4. If order is received by 3:00 p.m. central time, Exmark ships part(s) direct to dealer or customer, as requested by distributor, same day, overnight UPS. Exmark bills the distributor for parts and shipping charges, where applicable.
5. The customer pays for the part and freight if it is shipped under the Exmark Parts Plus® and if it arrives in accordance to the program.
6. Who pays for the part and freight if it fails to arrive overnight in accordance to the program?
  - A. Under any circumstance the customer does not pay.
  - B. If the part does not arrive overnight due to:
    1. The dealer not submitting the Exmark Parts Plus® order to his Exmark distributor by 1:00 p.m., the dealer pays for the part and freight.
    2. The Distributor being unable to ship the part the same day or not submitting the Exmark Parts Plus® order to Exmark by 3:00 p.m., central time, the Distributor pays for the part and freight.
    3. Exmark being unable to ship the part and the Exmark parts order is received by 3:00 p.m., central time, Exmark pays for the part and freight.
    4. If the part does not arrive overnight due to the shipper (UPS), the shipper pays for the freight and Exmark pays for the part.



**The following restrictions apply** -- The Exmark Parts Plus® Program is available only through participating Exmark Dealers and applies only to orders submitted on this program Monday through Thursday. Parts Plus service is available only in the contiguous 48 United States. UPS has initiated a Saturday delivery program to many areas of the continental United States and can be requested for an overnight shipment on Friday to be delivered Saturday. The next day air charge, plus the Saturday delivery fee will be the responsibility of the purchaser. Exmark Mfg. will assume no responsibility for Saturday delivery shipments. To qualify, all Exmark Parts Plus® orders must be received by Exmark by 3:00 p.m., central time. Orders must be six (6) line items or less. Exclusions from the Exmark Parts Plus® Program are: Any wholegood or accessory in its entirety, engines and engine replacement parts, 5-speed Peerless transmissions and 5-speed transaxles, hydraulic or hydrostatic wheel motors, cutter decks and engine decks or any item exceeding United Parcel Service size and weight restrictions.

Due to UPS restrictions, aerosol spray paint is considered a hazardous material and cannot be shipped via UPS next day or Second Day Air.

Exmark Manufacturing stocks a limited supply of parts for transaxles, pumps and wheel motors. These parts can be ordered for Next Day Air shipment but will not be guaranteed per the Parts Plus Program.



**READ OPERATOR'S MANUAL BEFORE  
OPERATING OR SERVICING EXMARK EQUIPMENT.**

**TABLE OF CONTENTS**

| <b><u>Description</u></b>    | <b><u>Page</u></b> |
|------------------------------|--------------------|
| 44" and 48" Deck Group ..... | 3-4                |
| 52" Deck Group .....         | 5-6                |
| Decal Group.....             | 16                 |
| Electrical Diagram.....      | 18-19              |
| Electrical Group .....       | 17                 |
| Engine Group.....            | 15                 |
| Front Frame Group .....      | 7-8                |
| Fuel Group.....              | 10                 |
| Hydraulic Group .....        | 13-14              |
| Main Frame Group.....        | 9                  |
| Motion Control Levers .....  | 12                 |
| Park Brake Group .....       | 11                 |

44" and 48" DECK GROUP

| Ref. No. | Part No. | Description   | Qty. Req'd. | Ref. No. | Part No. | Description                                | Qty. Req'd. |
|----------|----------|---|-------------|----------|----------|--|-------------|
| 1        | 804256   | Nut, nyloc 5/16-18 .....                                      | 10          | 37       | 800273   | Screw, 5/16-18 x 1 .....                   | 2           |
| 2        | 805258   | Washer, 5/16 std flat .....                                   | 6           | 38       | 402106   | Chute wldmt, discharge (44")(48") .        | 1           |
| 3        | 653482   | Shield, belt.....   | 2           | 39       | 632199   | Pin wldmt, deck strut.....                 | 2           |
| 4        | 809001   | Nut, whizlock 5/16-18.....                                    | 5           | 40       | 634726   | Strut wldmt, assembly.....                 | 2           |
| 5        | 800017   | Bolt, 5/16 x 3 ¼ tap .....                                    | 2           | 41       | 800271   | Screw, 5/16-18 x 3/4 .....                 | 2           |
| 6        | 809007   | Nut, whizlock 3/8-16.....                                     | 6           | 42       | 804510   | Nut, 5/8-18 .....                          | 5           |
| 7        | 805259   | Washer, 3/8 SAE flat.....                                     | 2           | 43       | 633029   | Spherical rod end.....                     | 2           |
| 8        | 613098   | Pulley, Idler.....  | 2           | 44       | 805010   | Washer, lock 5/8.....                      | 2           |
| 9        | 413113   | Bushing, Idler .....  | 2           | 45       | 804522   | Nut, 5/8-11 .....                          | 2           |
| 10       | 800297   | Screw, 3/8-19 x 2 ¼ .....                                     | 1           | 46       | 522480   | Baffle, discharge .....                    | 1           |
| 11       | 800292   | Screw, 3/8-16 x 1 .....                                       | 1           | 47       | 800344   | Screw, 5/8-11 x 6 .....                    | 2           |
| 12       | 303327   | Washer, disc spring 3/8 .....                                 | 8           | 48       | 513208   | Washer, spring disc. ....                  | 6           |
| 13       | 653189   | Plate, Belt guide .....                                       | 1           | 49*      | 413424   | Sheave, w/hub 6 5/16" O.D. (48")....       | 3           |
| 14       | 653190   | Spacer.....   | 1           |          | 653099   | Sheave, w/hub 6" O.D. (44").....           | 3           |
| 15       | 413099   | Pulley, Idler.....  | 1           | 50       | 513016   | Bearing.....                               | 6           |
| 16       | 413308   | Belt, deck drive (48") .....                                  | 1           | 51       | 323532   | Housing, spindle.....                      | 3           |
|          | 413093   | Belt, deck drive (44") .....                                  | 1           | 52       | 323528   | Spacer, bearing.....                       | 3           |
| 17       | 804257   | Nut, nyloc 3/8-16 .....                                       | 19          | 53       | 808502   | Ring, snap .....                           | 3           |
| 18       | 805260   | Washer, 3/8 std flat.....                                     | 1           | 54       | 323533   | Spacer.....                                | 3           |
| 19       | 513034   | Bearing, pivot .....  | 2           | 55       | 633573   | Guard, bearing-bottom .....                | 3           |
| 20       | 633151   | Spring, extension .....                                       | 1           | 56       | 807268   | Key, machine .....                         | 3           |
| 21       | 634619   | Housing, w/bearing,spacer,&ring..                             | 3           | 57       | 413330   | Shaft, spindle .....                       | 3           |
| 22       | 652192   | Idler arm wldmt.....  | 1           | 58       | 414335   | Housing, cutter assy (complete)(48")       | 3           |
|          | 654193   | Idler arm wldmt w/bushings.....                               | 1           |          | 654206   | Housing, cutter assy (complete)(44")       | 3           |
| 23       | 603384   | Bushing, idler pivot.....                                     | 1           | 59       | 800293   | Screw, 3/8-16 x 1 1/4 .....                | 18          |
| 24       | 800811   | Screw, 7/16-14 x 1 1/2 .....                                  | 8           | 60       | 323515   | Blade, 16.25 notched air foil (48").....   | 3           |
| 25       | 809073   | Nut, whizlock 7/16-14 .....                                   | 1           |          | 413438   | Blade, 16.25 solid air foil (48").....     | 3           |
| 26       | 633447   | Chain, deck lift.....   | 4           | ●        | 403148   | Blade, 16.25 mulching (48") .....          | 6           |
| 27       | 651312   | Deck wldmt (652311) w/decals<br>& discharge baffle (48")..... | 16          |          | 403149   | Blade, 16.25 low lift (optional)(48")..... | 3           |
|          | 654175   | Deck wldmt (652124) w/decals<br>& discharge baffle (44")..... | 1           | ●        | 653101   | Blade, 15.25 notched air foil (44").....   | 3           |
| 28       | 800805   | Screw, 3/8-16 x 3 1/2 .....                                   | 1           |          | 653178   | Blade, 15.25 solid air foil (44").....     | 3           |
| 29       | 800299   | Screw, 3/8-16 x 2 3/4 .....                                   | 2           |          | 653102   | Blade, 15.25 mulching (44") .....          | 3           |
| 30       | 809012   | Nut, whizlock ¼-20 (48") .....                                | 4           |          | 653179   | Blade, 15.25 low lift (optional)(44")..... | 3           |
|          | 809012   | Nut, whizlock ¼-20 (44") .....                                | 1           | 61       | 800848   | Screw, 5/8-11 x 1 Gr 8 .....               | 3           |
| 31       | 543963   | Bumper, rubber .....  | 1           | 62       | 811006   | Zerk, ¼-18 straight.....                   | 5           |
| 32       | 800270   | Screw, 5/16-18 x 5/8 .....                                    | 2           | 63       | 632690   | Strut wldmt .....                          | 2           |
| 33       | 800807   | Screw, 3/8-16 x 4 gr 8.....                                   | 3           | 64       | 800263   | Screw, ¼ x 3/8 (48").....                  | 4           |
| 34       | 603602   | Bushing, roller .....   | 3           |          | 800263   | Screw, ¼ x 3/8 (44").....                  | 1           |
| 35       | 603299   | Roller, anti-scalp .....                                      | 3           | 65       | 654550   | Deck complete service (44") .....          | 1           |
| 36       | 373034   | Washer, swivel.....   | 3           | 66       | 654551   | Deck complete service (48") .....          | 1           |

- Requires installation of Micro-Mulch accessory for proper mulching. Mulch kit P/N's MK483(48") & MK443(44")  
Exmark red touch up spray paint – P/N 850337  
The following complete deck assemblies are available for service: 48" Deck – P/N 654551  
44" Deck – P/N 654550

\* Use antiseize on bore of sheaves



52" DECK GROUP

| Ref. No. | Part No. | Description   | Qty. Req'd. | Ref. No. | Part No. | Description                          | Qty. Req'd. |
|----------|----------|---|-------------|----------|----------|--------------------------------------|-------------|
| 1        | 804256   | Nut, nyloc 5/16-18 .....                                      | 10          | 34       | 603602   | Bushing, roller .....                | 5           |
| 2        | 805258   | Washer, 5/16 std flat .....                                   | 6           | 35       | 603299   | Roller, anti-scalp .....             | 5           |
| 3        | 653482   | Shield, belt.....   | 2           | 36       | 373034   | Washer, swivel.....                  | 5           |
| 4        | 809001   | Nut, whizlock 5/16-18 .....                                   | 7           | 37       | 800273   | Screw, 5/16-18 x 1 .....             | 2           |
| 5        | 800017   | Bolt, 5/16 x 3 ¼ tap .....                                    | 2           | 38       | 652375   | Chute wldmt, dishcharge .....        | 1           |
| 6        | 809007   | Nut, whizlock 3/8-16 .....                                    | 8           | 39       | 632199   | Pin wldmt, deck strut.....           | 2           |
| 7        | 805259   | Washer, 3/8 SAE flat.....                                     | 2           | 40       | 634726   | Strut wldmt, assembly.....           | 2           |
| 8        | 613098   | Pulley, Idler.....  | 2           | 41       | 800271   | Screw, 5/16-18 x 3/4 .....           | 2           |
| 9        | 413113   | Bushing, Idler .....  | 2           | 42       | 804510   | Nut, 5/8-18 .....                    | 5           |
| 10       | 800297   | Screw, 3/8-19 x 2 ¼ .....                                     | 1           | 43       | 633029   | Spherical rod end.....               | 2           |
| 11       | 800292   | Screw, 3/8-16 x 1 .....                                       | 1           | 44       | 805010   | Washer, lock 5/8 .....               | 2           |
| 12       | 303327   | Washer, disc spring 3/8.....                                  | 10          | 45       | 804522   | Nut, 5/8-11 .....                    | 2           |
| 13       | 653189   | Plate, Belt guide .....                                       | 1           | 46       | 602913   | Baffle, discharge .....              | 1           |
| 14       | 653190   | Spacer .....  | 1           | 47       | 800344   | Screw, 5/8-11 x 6 .....              | 2           |
| 15       | 413099   | Pulley, Idler.....  | 1           | 48       | 513208   | Washer, spring disc. ....            | 6           |
| 16       | 653368   | Belt, deck drive.....   | 1           | 49*      | 653386   | Sheave, w/hub 6 5/16"O.D.....        | 3           |
| 17       | 804257   | Nut, nyloc 3/8-16 .....                                       | 19          | 50       | 513016   | Bearing.....                         | 6           |
| 18       | 805260   | Washer, 3/8 std flat .....                                    | 1           | 51       | 323532   | Housing, spindle.....                | 3           |
| 19       | 513034   | Pivot, Bearing .....  | 2           | 52       | 323528   | Spacer, bearing.....                 | 3           |
| 20       | 633151   | Spring, extension.....  | 1           | 53       | 808502   | Ring, snap .....                     | 3           |
| 21       | 634619   | Housing,with bearing,spacer,&ring                             | 3           | 54       | 323533   | Spacer.....                          | 3           |
| 22       | 652192   | Idler arm wldmt.....  | 1           | 55       | 633573   | Guard, bearing-bottom .....          | 3           |
|          | 654193   | Idler arm wldmt w/bushings....                                | 1           | 56       | 807268   | Key, machine .....                   | 3           |
| 23       | 603384   | Bushing, idler pivot .....                                    | 1           | 57       | 413330   | Shaft, spindle .....                 | 3           |
| 24       | 800811   | Screw, 7/16-14 x 1 1/2 .....                                  | 8           | 58       | 654586   | Housing, cutter assy (complete).3    |             |
| 25       | 809073   | Nut, whizlock 7/16-14 .....                                   | 16          | 59       | 800293   | Screw, 3/8-16 x 1 1/4 .....          | 18          |
| 26       | 633447   | Chain, deck lift.....   | 4           | 60       | 633482   | Blade, 18.0 notched air foil .....   | 3           |
| 27       | 654478   | Deck wldmt (652418) w/decals<br>& discharge baffle (48")..... | 1           |          | 613251   | Blade, 18.0 solid air foil .....     | 3           |
|          |          |   |             | ●        | 633484   | Blade, 18.0 mulching.....            | 3           |
| 28       | 800805   | Screw, 3/8-16 x 3 1/2 .....                                   | 1           |          | 633485   | Blade, 18.0 low lift (optional)..... | 3           |
| 29       | 800299   | Screw, 3/8-16 x 2 3/4 .....                                   | 2           | 61       | 800848   | Screw, 5/8-11 x 1 gr 8.....          | 3           |
| 30       | 809012   | Nut, whizlock ¼-20 .....                                      | 4           | 62       | 811006   | Zerk, ¼-18 straight.....             | 5           |
| 31       | 543963   | Bumper, rubber .....  | 2           | 63       | 632690   | Strut wldmt .....                    | 2           |
| 32       | 800270   | Screw, 5/16-18 x 5/8 .....                                    | 3           | 64       | 800263   | Screw, ¼ x 3/8 .....                 | 4           |
| 33       | 800807   | Screw, 3/8-16 x 4 gr 8 .....                                  | 5           |          |          |                                      |             |

● Requires installation of Micro-Mulch accessory for proper mulching. Mulch kit P/N's MK483(48") & MK443(44")

Exmark red touch up spray paint – P/N 850337

A complete deck assembly is available for service P/N 654552

\* Use antiseize on bore of sheaves.



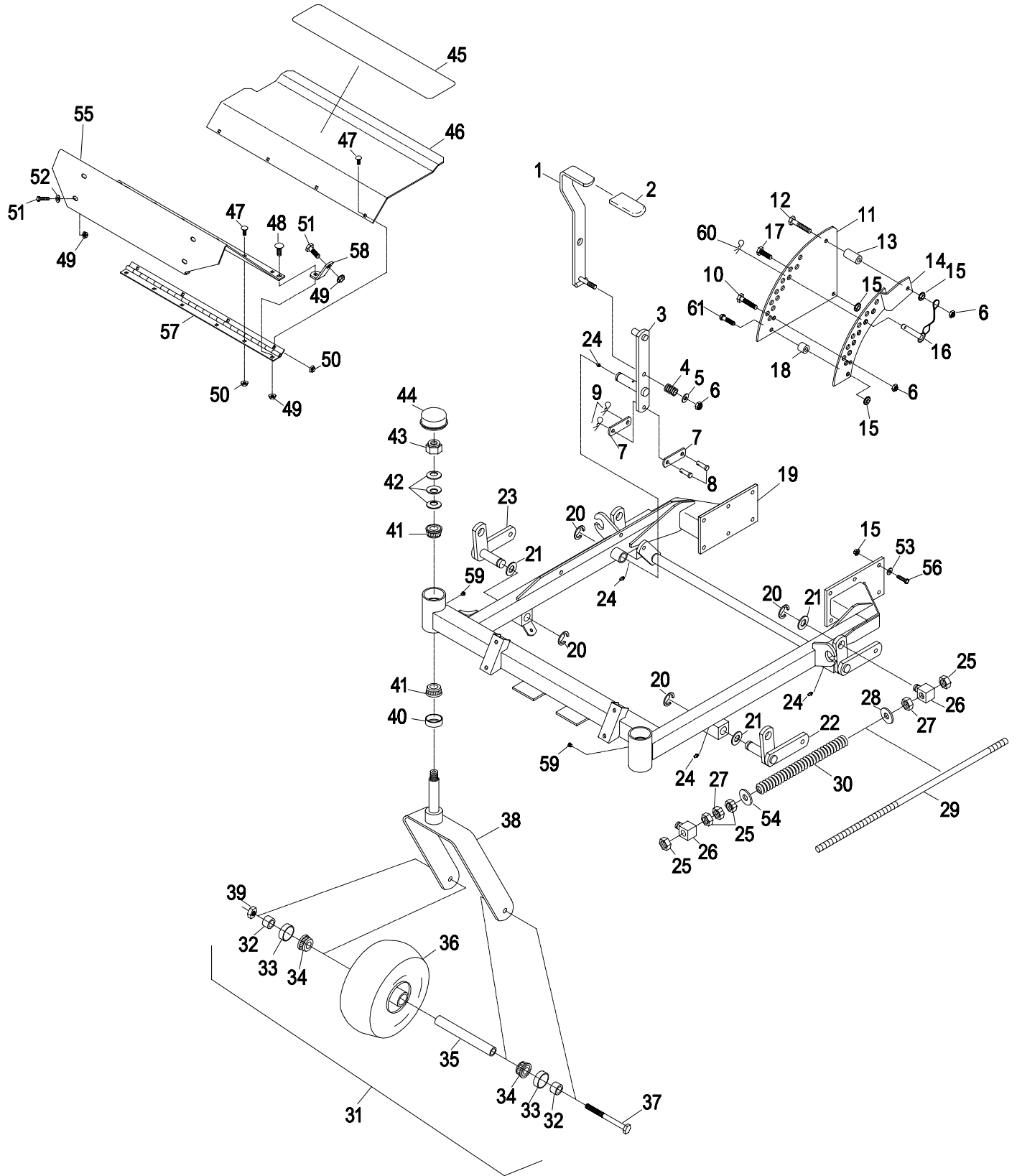
FRONT FRAME GROUP

| Ref. No. | Part No. | Description                      | Qty. Req'd. | Ref. No. | Part No. | Description                           | Qty. Req'd. |
|----------|----------|----------------------------------|-------------|----------|----------|---------------------------------------|-------------|
| 1        | 652023   | Lever wldmt, lift.....           | 1           | 33       | 633580   | Seal, bearing.....                    | 4           |
| 2        | 633295   | Grip, lift lever .....           | 1           | 34       | 633585   | Bearing, cone.....                    | 4           |
| 3        | 652027   | Arm wldmt, deck lift .....       | 1           |          | 633584   | Bearing, cup.....                     | 2           |
| 4        | 633325   | Spring, compression.....         | 1           | 35       | 633579   | Spacer, front caster .....            | 2           |
| 5        | 805259   | Washer, 3/8 SAE.....             | 1           | 36       | 633582   | Wheel & tire assy.....                | 2           |
| 6        | 804257   | Nut, nyloc 3/8-16.....           | 3           |          | 633002   | Tire, 13x5.0-6 4 ply .....            | 2           |
| 7        | 633068   | Arm, deck lift.....              | 2           |          | 633583   | Wheel.....                            | 2           |
| 8        | 808284   | Clevis, pin 3/8 x 1 .....        | 2           | 37       | 800339   | Screw, 1/2-13 x 7 1/2.....            | 2           |
| 9        | 806003   | Hairpin, cotter .....            | 2           | 38       | 632511   | Caster wldmt.....                     | 2           |
| 10       | 800295   | Screw, 3/8-16 x 1 3/4 .....      | 1           | 39       | 804269   | Nut, nyloc 1/2-13 (light thin) .....  | 2           |
| 11       | 653230   | Plate, deck lift.....            | 1           | 40       | 543511   | Seal, grease.....                     | 2           |
| 12       | 800299   | Screw, 3/8-16 x 2 3/4.....       | 1           | 41       | 543509   | Bearing cone, tapered roller.....     | 4           |
| 13       | 633082   | Bushing, lift lever .....        | 1           |          | 543508   | Bearing cup, tapered roller .....     | 4           |
| 14       | 652235   | Plate wldmt, deck lift.....      | 1           | 42       | 633508   | Washer, spring disk .....             | 6           |
| 15       | 809007   | Nut, whizlock 3/8-16 .....       | 15          | 43       | 804266   | Nut, nyloc 3/4-10.....                | 2           |
| 16       | 633097   | Hitch pin w/lanyard .....        | 1           | 44       | 543513   | Cap, grease .....                     | 2           |
| 17       | 800292   | Screw, 3/8-16 x 1.....           | 1           | 45       | 633553   | Pad, anti-skid .....                  | 2           |
| 18       | 413088   | Bushing, lift lever .....        | 1           | 46       | 99-3869  | Floorpan.....                         | 1           |
| 19       | 652447   | Frame wldmt, front 44"/48" ..... | 1           | 47       | 807528   | Bolt, carriage 1/4-20 x 1/2.....      | 10          |
|          | 652372   | Frame wldmt, front 52" .....     | 1           | 48       | 807503   | Bolt, carriage 5/16-18 x 3/4.....     | 2           |
| 20       | 808505   | E-ring.....                      | 7           | 49       | 809001   | Nut, whizlock 5/16-18.....            | 8           |
| 21       | 805271   | Washer, 7/8 SAE flat.....        | 6           | 50       | 809012   | Nut, whizlock 1/4-20.....             | 10          |
| 22       | 652013   | Shaft wldmt, deck lift LH.....   | 1           | 51       | 800271   | Screw, 5/16-18 x 3/4 (44"& 48") ..... | 14          |
| 23       | 652014   | Shaft wldmt, deck lift RH .....  | 1           | 52       | 805257   | Washer, 5/16 SAE flat (44"&48")... 4  |             |
| 24       | 811006   | Zerk, 1/4-28 straight .....      | 5           | 53       | 303327   | Washer, 3/8 disc spring .....         | 12          |
| 25       | 804522   | Nut, 5/8-11 regular.....         | 8           | 54       | 805267   | Washer, 5/8 SAE flat .....            | 2           |
| 26       | 633441   | Swivel, deck mount.....          | 4           | 55       | 99-3868  | Floorpan, front.....                  | 1           |
| 27       | 804755   | Jam nut, 5/8-11.....             | 4           | 56       | 800293   | Screw, 3/8-16 x 1 1/4.....            | 12          |
| 28       | 805517   | Washer, 5/8 std flat .....       | 2           | 57       | 653049   | Hinge, floorpan (piano) .....         | 1           |
| 29       | 653011   | Rod, deck lift.....              | 2           | 58       | 99-3870  | Bracket, floorpan .....               | 2           |
| 30       | 653009   | Spring, deck support.....        | 2           | 59       | 811010   | Plug.....                             | 2           |
| 31       | 634662   | Caster wheel assy .....          | 2           | 60       | 806005   | Hairpin, cotter (service only) .....  | 1           |
| 32       | 633581   | Spacer, bearing .....            | 4           | 61       | 800294   | Screw, cap HH3/8-16 x 1 1/2.....      | 1           |

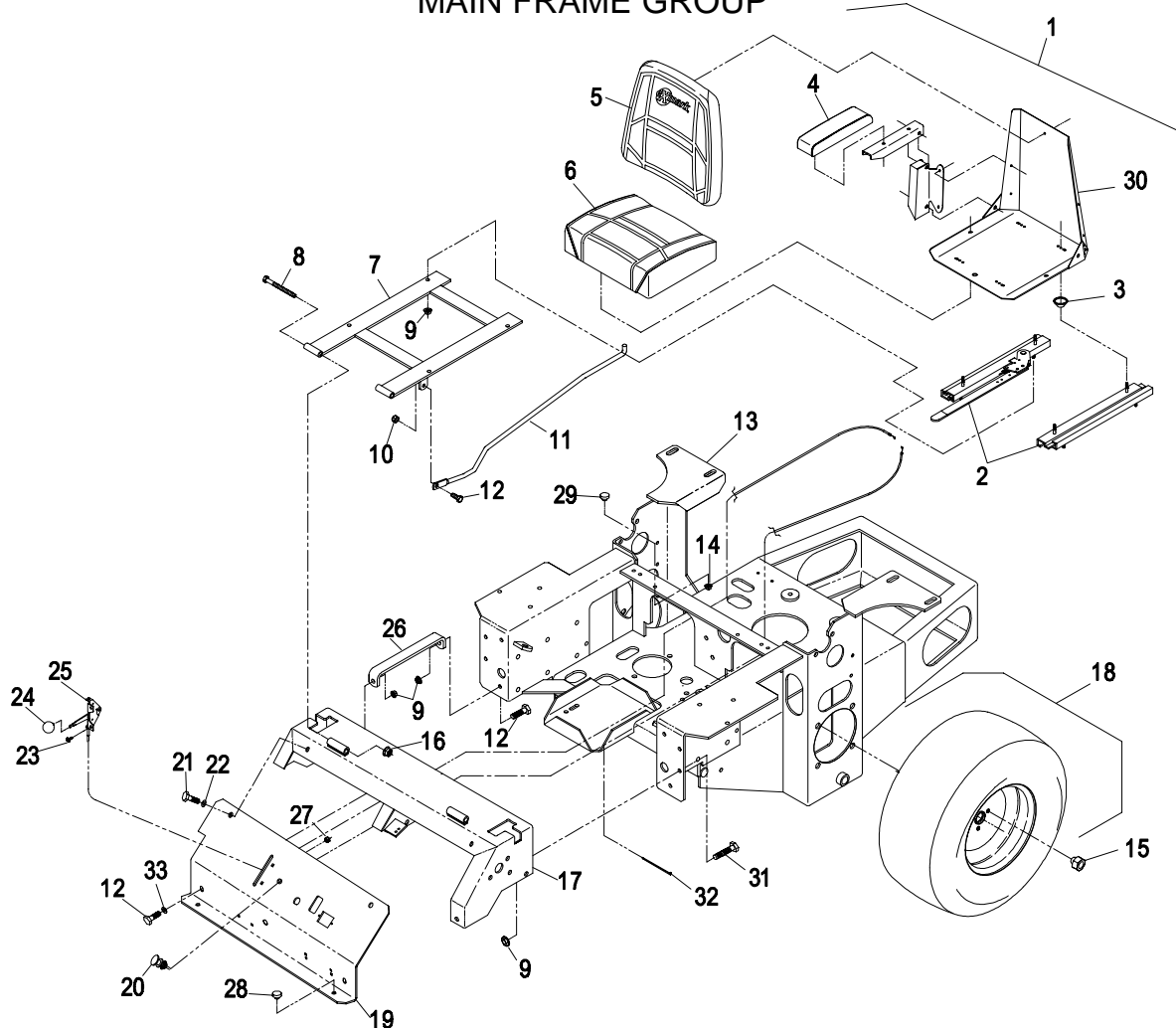
Exmark red touch up spray paint – P/N 850337



### FRONT FRAME GROUP



### MAIN FRAME GROUP

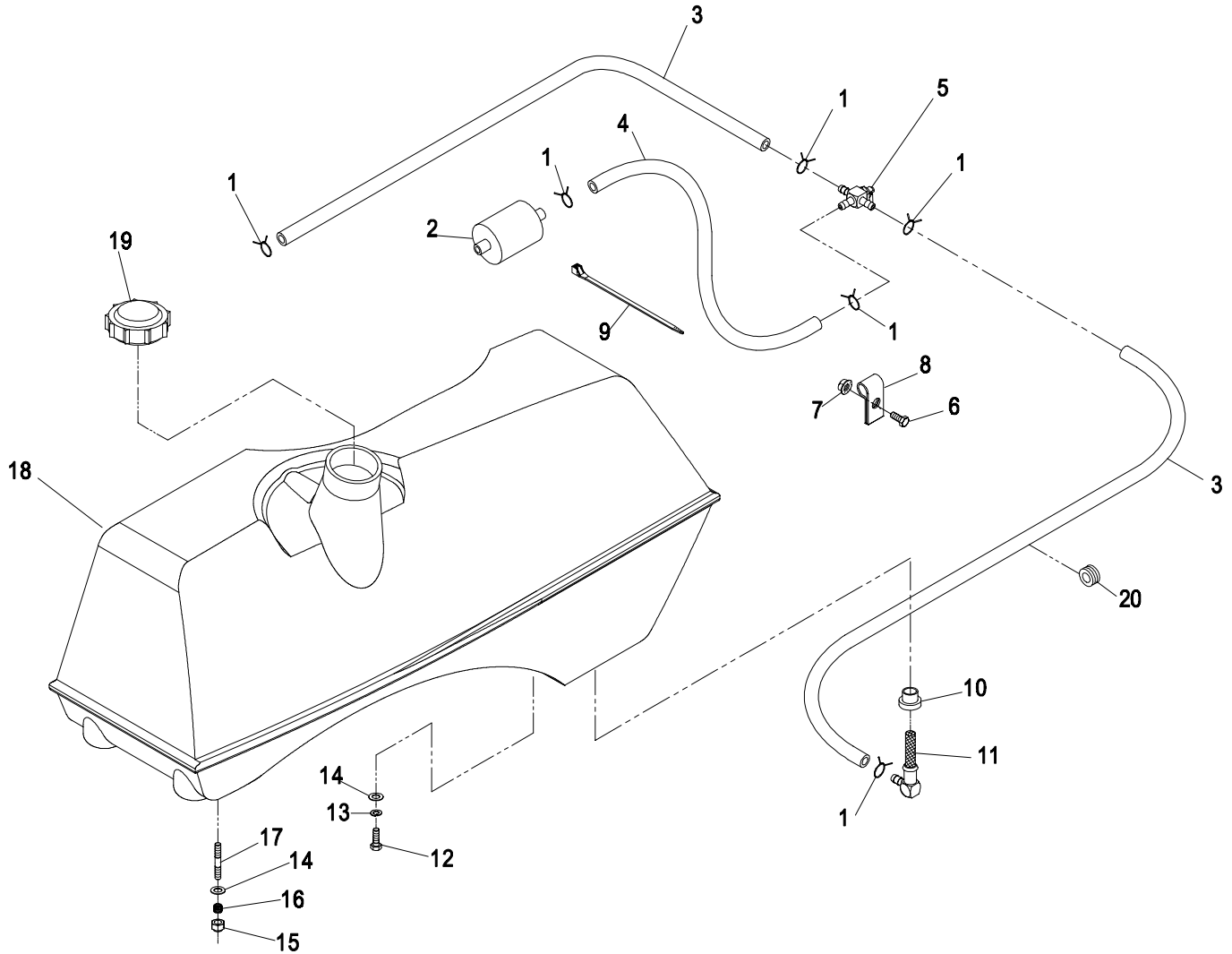


| Ref. No. | Part No. | Description                       | Qty. Req'd. | Ref. No. | Part No. | Description                        | Qty. Req'd. |
|----------|----------|-----------------------------------|-------------|----------|----------|------------------------------------|-------------|
| 1        | 634691   | Seat, complete w/armrests .....   | 1           | 18       | 653010   | Wheel/tire assy (44" deck) .....   | 2           |
| 2        | 643255   | Track, seat (4" adjustable) ..... | 1           |          | 653159   | Wheel/tire assy (48" & 52" deck).. | 2           |
| 3        | 543401   | Spacer, seat track .....          | 4           |          | 653158   | Wheel (44" deck) .....             | 2           |
| 4        | 543409   | Cushion, armrest (RH) .....       | 1           |          | 653161   | Wheel (48" & 52" deck) .....       | 2           |
|          | * 543411 | Cushion, armrest (LH) .....       | 1           |          | 653160   | Tire, 23 x 9.5-12 4 ply .....      | 2           |
| 5        | 543408   | Cushion, backrest .....           | 1           | 19       | 653243   | Panel, instrument .....            | 1           |
| 6        | 543407   | Cushion, seat .....               | 1           | 20       | 603336   | Cable, choke .....                 | 1           |
| 7        | 632187   | Frame, seat mount .....           | 1           | 21       | 800271   | Screw, 5/16-18 x 3/4 .....         | 3           |
| 8        | 800306   | Screw, 3/8-16 x 5 .....           | 2           | 22       | 805257   | Washer, flat 5/16 SAE .....        | 2           |
| 9        | 809001   | Nut, whizlock 5/16-18 .....       | 12          | 23       | 807513   | Bolt, carriage #10-24 x 1/2 .....  | 2           |
| 10       | 804256   | Nut, nyloc 5/16-18 .....          | 1           | 24       | 513592   | Ball, (red) throttle cable .....   | 1           |
| 11       | 653495   | Rod, seat hold up .....           | 1           | 25       | 633696   | Cable, throttle .....              | 1           |
| 12       | 800273   | Screw, 5/16-18 x 1 .....          | 3           | 26       | 653089   | Bracket, instrument panel .....    | 1           |
| 13       | 652470   | Frame, engine deck .....          | 1           | 27       | 804252   | Nut, nyloc #10-24 .....            | 2           |
| 14       | 809012   | Nut, whizlock 1/4-20 .....        | 2           | 28       | 513658   | Bumper .....                       | 2           |
| 15       | 513011   | Nut, wheel 1/2-20 .....           | 8           | 29       | 523420   | Bumper, rubber .....               | 2           |
| 16       | 804257   | Nut, nyloc 3/8-16 .....           | 2           | 30       | 633859   | Seat frame .....                   | 1           |
| 17       | 652242   | Console wldmt, front .....        | 1           | 31       | 800270   | Screw, 5/8-18 x 5/8 .....          | 6           |
|          |          |                                   |             | 32       | 303335   | Tie, plastic .....                 | 1           |
|          |          |                                   |             | 33       | 805258   | Washer, flat std 5/16 .....        | 2           |

\*Not Illustrated

Exmark black touch up spray paint – gloss black

### FUEL GROUP



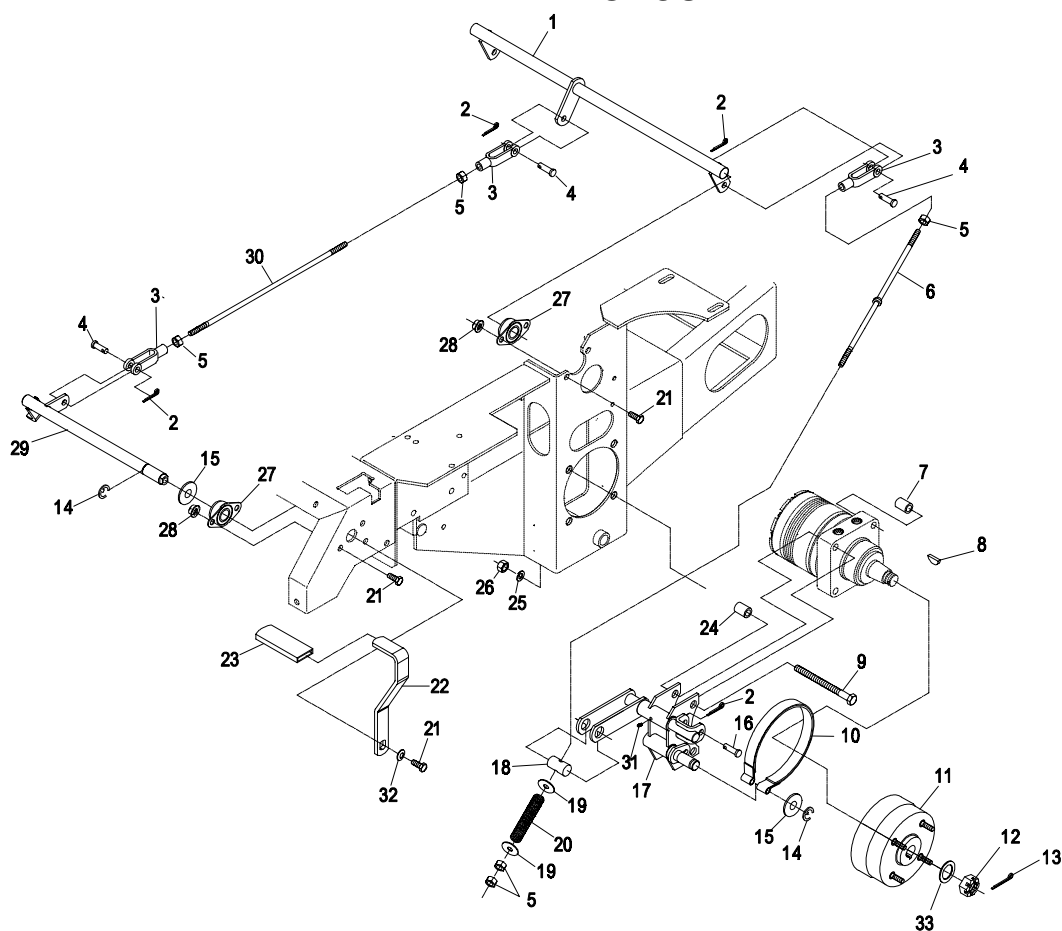
| Ref. No. | Part No.                     | Description                            | Qty. Req'd. | Ref. No. | Part No. | Description                | Qty. Req'd. |
|----------|------------------------------|--|-------------|----------|----------|----------------------------|-------------|
| 1        | 303077                       | Clamp, fuel line.....                  | 6           | 11       | 543277   | Elbow, strainer .....      | 2           |
| 2        | ◆ Kohler Part No. 2405002    | Fuel filter .....                      | 1           | 12       | 800271   | Screw, 5/16-18 x 3/4 ..... | 4           |
|          | Kawasaki Part No. 49019-7001 | Fuel filter.....                       | 1           | 13       | 805005   | Washer, lock 1/4 .....     | 4           |
| 3        | 543526                       | Fuel line .....                        | 2           | 14       | 805257   | Washer, 5/16 SAE .....     | 8           |
| 4        | 633348                       | Fuel line .....                        | 1           | 15       | 804267   | Nut, nyloc 5/16-18 .....   | 4           |
| 5        | 633347                       | Valve, fuel.....                       | 1           | 16       | 633349   | Spring, fuel tank .....    | 4           |
| 6        | 800252                       | Screw, 1/4-20 x 3/4 (18 Koh only) .... | 1           | 17       | ◇ 633023 | Stud, fuel tank.....       | 4           |
| 7        | 804255                       | Nut, whizlock 1/4-20(18 Koh only)...1  |             | 18       | * 653568 | Tank, fuel (LH) .....      | 1           |
| 8        | 513762                       | Clip, loom .50 (18 Koh only) .....     | 1           |          | 653569   | Tank, fuel (RH) .....      | 1           |
| 9        | 303335                       | Plastic tie (large) .....              | 1           | 19       | 513508   | Cap, fuel tank.....        | 2           |
| 10       | 513645                       | Bushing.....                           | 2           | 20       | 543296   | Grommet, fuel line .....   | 2           |

\* Not Illustrated

◇ Use Pro-Lock, Nut Type (P/N 840022, .5ml tube) on stud threads going into tank.

◆ Refer to Engine Owner's Manual (Fuel filter **Must** be 15 Micron or smaller).

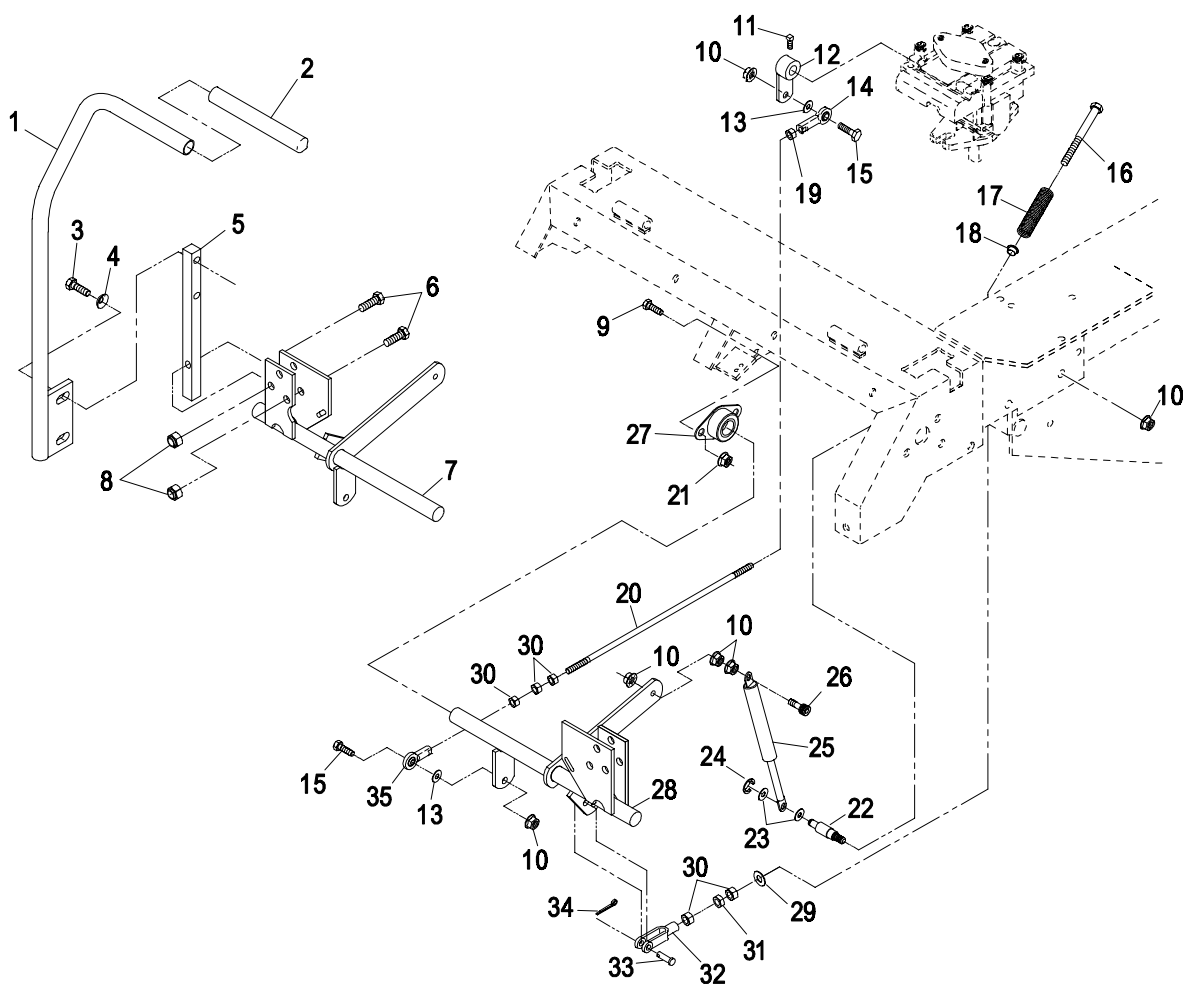
### PARK BRAKE GROUP



| Ref. No. | Part No. | Description                      | Qty. Req'd. | Ref. No. | Part No. | Description                     | Qty. Req'd. |
|----------|----------|----------------------------------|-------------|----------|----------|---------------------------------|-------------|
| 1        | 652073   | Crank wldmt, brake .....         | 1           | 17       | 652134   | Bracket wldmt, brake LH.....    | 1           |
| 2        | 806761   | Pin, cotter 1/8 x 3/4.....       | 6           | *        | 652135   | Bracket wldmt, brake RH.....    | 1           |
| 3        | 633131   | Yoke .....                       | 4           | *        | 652378   | Bracket wldmt, brake LH 52" .   | 1           |
| 4        | 808285   | Pin, clevis 3/8 x 1 1/8.....     | 4           | *        | 652379   | Bracket wldmt, brake RH 52" .   | 1           |
| 5        | 804525   | Nut, 3/8-24.....                 | 8           | 18       | 633144   | Pin, trunion.....               | 2           |
| 6        | 633477   | Rod, brake.....                  | 2           | 19       | 805260   | Washer, 3/8 std.....            | 4           |
| 7        | 653068   | Spacer (long) 44"/48" deck ..... | 4           | 20       | 633454   | Spring, brake rod .....         | 2           |
|          | * 653380 | Spacer (long) 52" deck .....     | 4           | 21       | 800290   | Screw, 3/8-16 x 3/4 .....       | 9           |
| 8        | 807020   | Woodruff key, 5/16 x 1 .....     | 1           | 22       | 653074   | Lever, brake.....               | 1           |
| 9        | 800338   | Screw, 1/2-13x3.25 G5(44"&48") . | 8           | 23       | 633268   | Grip, brake lever .....         | 1           |
|          | 800348   | Screw, 1/2-13x4.25 G5 (52")..... | 8           | 24       | 653069   | Spacer (short) 44"/48" deck...4 |             |
| 10       | 633693   | Band, brake .....                | 2           | *        | 653381   | Spacer (short) 52" deck .....   | 4           |
| 11       | 634927   | Hub & drum w/studs, wheel.....   | 2           | 25       | 805008   | Washer, lock 1/2.....           | 8           |
|          | 633926   | Stud, wheel.....                 | 8           | 26       | 804509   | Nut, 1/2-13 .....               | 8           |
| 12       | 809036   | Nut, slotted 1.00-20 .....       | 2           | 27       | 633102   | Bearing, flange.....            | 4           |
| 13       | 806800   | Pin, cotter 9/64 x 1 1/2.....    | 2           | 28       | 809007   | Nut, whizlock 3/8-16.....       | 8           |
| 14       | 808514   | E-ring, retaining .....          | 3           | 29       | 652085   | Shaft wldmt, brake .....        | 1           |
| 15       | 805269   | Washer, 3/4 SAE flat.....        | 3           | 30       | 653061   | Linkage, brake handle .....     | 1           |
| 16       | 808283   | Pin, clevis 3/8 x 2.....         | 2           | 31       | 811007   | Zerk, grease.....               | 2           |
|          |          |                                  |             | 32       | 303327   | Washer, disc spring 3/8 .....   | 1           |
|          |          |                                  |             | 33       | 523157   | Washer, spacer .....            | 2           |

\*Not Illustrated  
Exmark black touch up spray paint – gloss black

### MOTION CONTROL LEVERS



| Ref. No. | Part No. | Description                     | Qty. Req'd. | Ref. No. | Part No. | Description                      | Qty. Req'd. |
|----------|----------|---------------------------------|-------------|----------|----------|----------------------------------|-------------|
| 1        | 634259   | Handle w/grip (RH) .....        | 1           | 17       | 603807   | Spring, (neutral return) .....   | 2           |
|          | 632193   | Handle, motion control (RH) ... | 1           | 18       | 603735   | Bushing, nylon (reverse ind.) .. | 2           |
|          | * 634258 | Handle w/grip (LH) .....        | 1           | 19       | 804524   | Nut, 5/16-24 (LH) .....          | 2           |
|          | 632191   | Handle, motion control (LH) ... | 1           | 20       | 653046   | Link, pump control.....          | 2           |
| 2        | 633257   | Grip, motion control handle.... | 2           | 21       | 809007   | Nut, whizlock 3/8-16.....        | 8           |
| 3        | 800292   | Screw, 3/8-16 x 1 .....         | 4           | 22       | 653316   | Pin, Damper Anchor.....          | 2           |
| 4        | 303327   | Washer, disc spring 3/8 .....   | 4           | 23       | 805257   | Washer, 5/16 SAE .....           | 4           |
| 5        | 633177   | Arm, control shaft.....         | 2           | 24       | 808512   | E-ring.....                      | 2           |
| 6        | 800295   | Screw, 3/8-16 x 1 3/4 .....     | 6           | 25       | 523027   | Damper .....                     | 2           |
| 7        | 652466   | Bracket, motion control (RH) .  | 1           | 26       | 403180   | Screw, 5/16-18 x 1 1/4 special.. | 4           |
| 8        | 804257   | Nut, nyloc 3/8-16 .....         | 6           | 27       | 633102   | Bearing, flanged.....            | 4           |
| 9        | 800290   | Screw, 3/8-16 x 3/4 .....       | 8           | 28       | 652467   | Bracket, motion control (LH) ... | 1           |
| 10       | 809001   | Nut, whizlock 5/16-18.....      | 12          | 29       | 805256   | Washer, 1/4 .....                | 2           |
| 11       | ◆ 803022 | Setscrew, 5/16 x 5/8 .....      | 2           | 30       | 804521   | Nut, 5/16-24 .....               | 10          |
| 12       | 653092   | Arm, pump control .....         | 2           | 31       | 804758   | Nut, jam 5/16-24 .....           | 2           |
| 13       | 805258   | Washer, 5/16 std.....           | 4           | 32       | 303105   | Yoke.....                        | 2           |
| 14       | 633152   | Ball joint (LH) .....           | 2           | 33       | 808280   | Pin, clevis 5/16 x 1 .....       | 2           |
| 15       | 800274   | Screw, 5/16-18 x 1 1/4.....     | 4           | 34       | 806753   | Pin, cotter 3/32 x 1/2 .....     | 2           |
| 16       | 603737   | Bolt, (neutral return).....     | 2           | 35       | 543017   | Ball joint (RH).....             | 2           |

\*Not Illustrated

◆ Use Pro-Lock, Nut Type (P/N 840022, .5ml tube) on setscrews  
Exmark black touch up spray paint – gloss black

HYDRAULIC GROUP

| Ref. No. | Part No. | Description                             | Qty. Req'd. | Ref. No. | Part No. | Description                      | Qty. Req'd. |
|----------|----------|---|-------------|----------|----------|----------------------------------|-------------|
| 1        | 513167   | Cap, hydraulic reservoir .....          | 1           | 27       | 513840   | Elbow, 90° .....                 | 2           |
| 2        | 523103   | Gasket, tank cap .....                  | 1           |          | 603921   | O-ring .....                     | 1           |
| 3        | 800260   | Screw, ¼-20 x 2 1/2 .....               | 2           | 28       | 603841   | Pump, hydro .....                | 2           |
| 4        | 809012   | Nut, whizlock ¼-20 .....                | 2           | 29       | 413273   | Hose, lo pressure .....          | 2           |
| 5        | * 512166 | Reservoir, hydraulic fluid .....        | 1           | 30       | 653187   | Hose, RH rear 44" & 48" .....    | 1           |
| 6        | 603987   | Elbow, 90° .....                        | 1           |          | 653437   | Hose, RH rear 52" .....          | 1           |
| 7        | 654320   | Hose, supply .....                      | 1           | 31       | 809007   | Nut, whizlock 3/8-16 .....       | 7           |
| 8        | 654509   | Hose, charge line .....                 | 1           | 32       | 800293   | Screw, 3/8-16 x 1 1/4 .....      | 4           |
| 9        | 800273   | Screw, 5/16-18 x 1 .....                | 2           | 33       | 513034   | Bearing .....                    | 2           |
| 10       | 513510   | Connector, male .....                   | 1           | 34       | 652142   | Arm wldmnt, idler .....          | 1           |
| 11       | * 603720 | Head, filter .....                      | 1           | 35       | 811008   | Zerk, 90° ¼-28 .....             | 1           |
| 12       | 809001   | Nut, whizlock 5/16-18 .....             | 2           | 36       | 603044   | Bushing, idler pivot .....       | 1           |
| 13       | 513211   | Element, oil filter .....               | 1           | 37       | 805260   | Washer, 3/8 std flat .....       | 1           |
|          | ∇523541  | Element, oil filter (winter) .....      | 1           | 38       | 800299   | Screw, 3/8-16 x 2 3/4 .....      | 1           |
| 14       | 653186   | Hose, RH front 44" & 48" .....          | 1           | 39       | 800295   | Screw, 3/8-16 x 1 3/4 .....      | 2           |
|          | 653436   | Hose, RH front 52" .....                | 1           | 40       | 603843   | Pulley, idler .....              | 1           |
| 15       | 653409   | Hose, LH top 44" & 48" .....            | 1           | 41       | 805259   | Washer, 3/8 SAE flat .....       | 1           |
|          | 653434   | Hose, LH top 52" .....                  | 1           | 42       | 654143   | Arm, idler w/bearings .....      | 1           |
| 16       | 633605   | Elbow, 90° (RH) .....                   | 2           | 43       | 807272   | Key 5 x 5 x 25 mm .....          | 2           |
|          | 603919   | Boss O-ring .....                       | 1           | 44       | ◇ 806050 | Setscrew, .312-18 x .75 .....    | 4           |
|          | 603992   | Flare O-ring .....                      | 1           | 45       | 653156   | Sheave, pump drive 44"&48" ..... | 2           |
| 17       | 523328   | Wheel motor .....                       | 2           |          | 413010   | Sheave, pump drive 52" .....     | 2           |
|          | 000139   | Kit, bearing .....                      | 1           | 46       | 603414   | Spring, extension .....          | 1           |
|          | 000099   | Kit, seal .....                         | 1           | 47       | 804257   | Nut, nyloc 3/8-16 .....          | 1           |
| 18       | 603990   | Adapter, straight thread .....          | 4           | 48       | 653163   | Belt, pump drive 44"&48" .....   | 1           |
|          | 603920   | Boss O-ring .....                       | 1           |          | 653416   | Belt, pump drive 52" .....       | 1           |
|          | 603992   | Flare O-ring .....                      | 1           | 49       | 801063   | Screw, ¼-20 x 2 pan head .....   | 2           |
| 19       | 603989   | Elbow, 90° .....                        | 2           | 50       | 804255   | Nut, nyloc ¼-20 .....            | 2           |
|          | 603923   | O-ring .....                            | 1           | 51       | 613073   | Grip, dump valve .....           | 2           |
| 20       | 632285   | Hose assy, lo pressure 11.5" gray ..    | 1           | 52       | 213069   | Washer, #10 x 1 1/2 .....        | 1           |
| 21       | 654144   | Hose, case drain .....                  | 1           | 53       | 303327   | Washer, disc spring .....        | 1           |
| 22       | 632286   | Hose assy, lo pressure 4.5" gray ....   | 1           | 54       | 603988   | Elbow, 90° .....                 | 1           |
| 23       | 603826   | Clamp, hose (1/2) .....                 | 3           | 55       | 603496   | Bushing, idler .....             | 1           |
| 24       | 603722   | Fitting, hose tee (1/4 I.D. hose) ..... | 1           | 56       | 653410   | Hose, LH bottom 44" & 48" .....  | 1           |
| 25       | 603827   | Clamp, hose (5/8) .....                 | 5           |          | 653435   | Hose, LH bottom 52" .....        | 1           |
| 26       | 603721   | Fitting, hose tee (3/8 I.D. hose) ....  | 1           | 57       | 633786   | Elbow 90° long stem (LH) .....   | 2           |

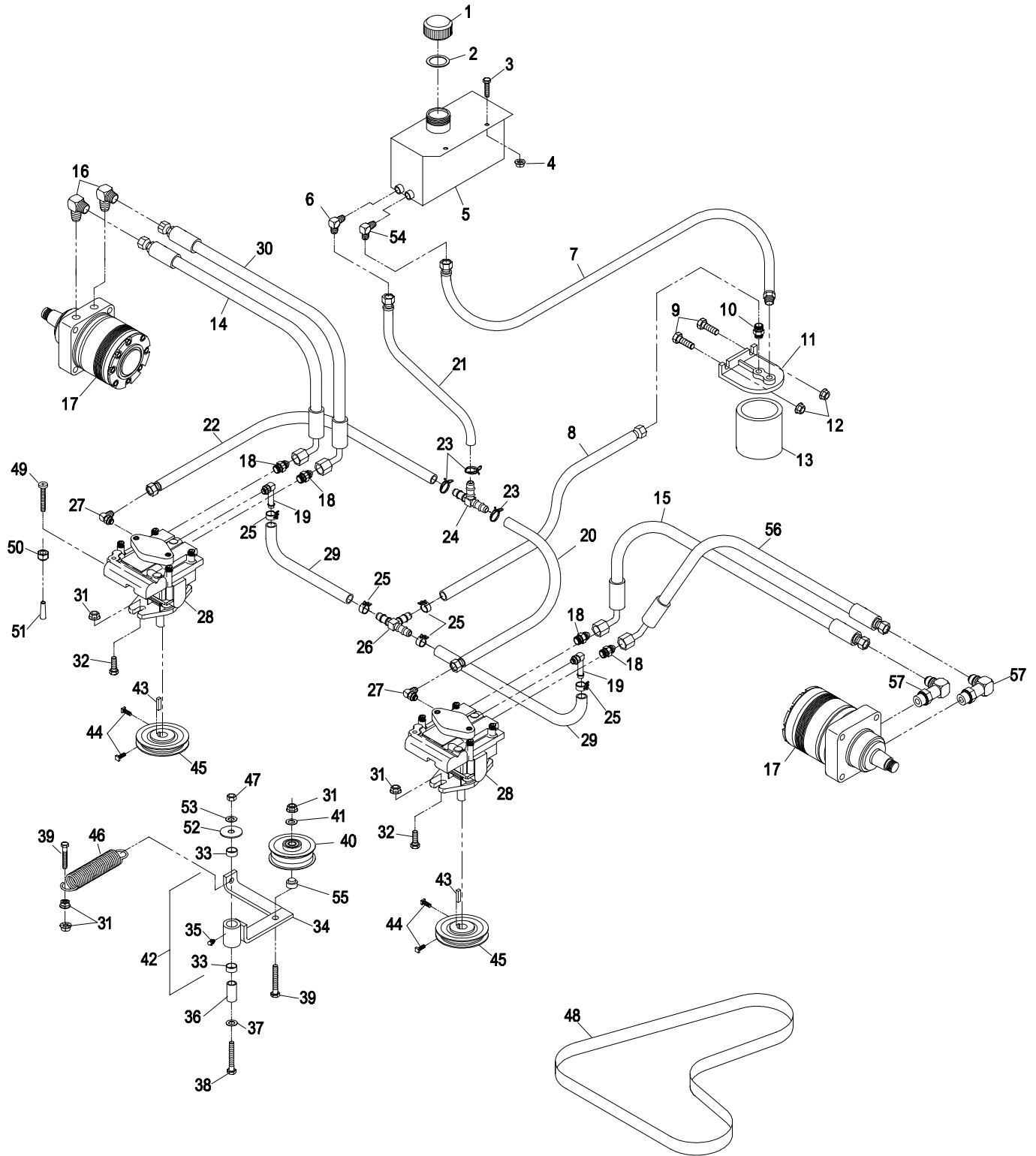
\* Use Teflon Pipe Sealant or equivalent on hydraulic reservoir and filter head fittings.

∇ Use only for operation below 32°F (0°C)

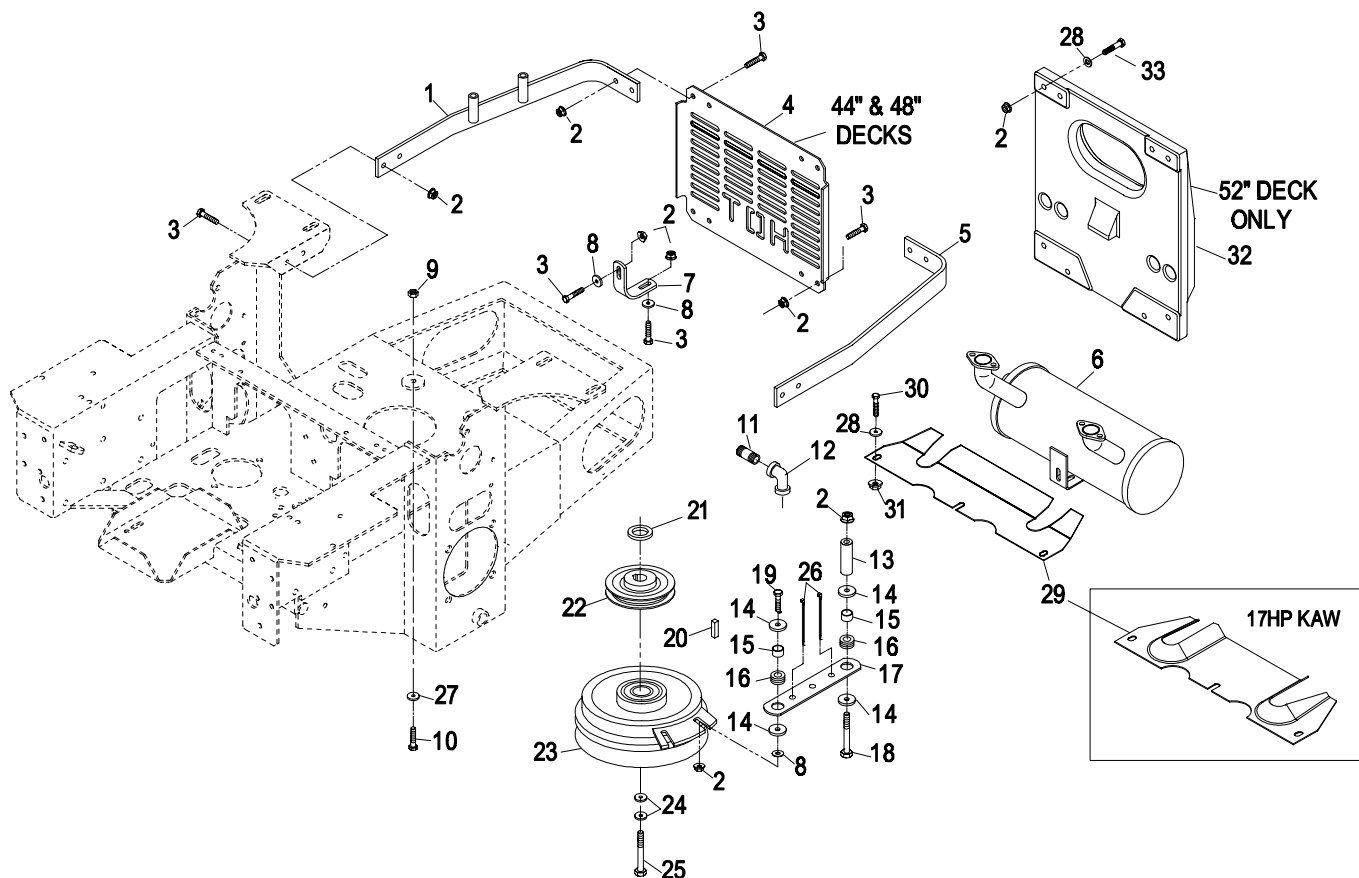
Exmark red touch up spray paint – P/N 850337

◇ Use Pro-Lock, Nut Type (P/N 840022, .5ml tube) on setscrews.

### HYDRAULIC GROUP



### ENGINE GROUP

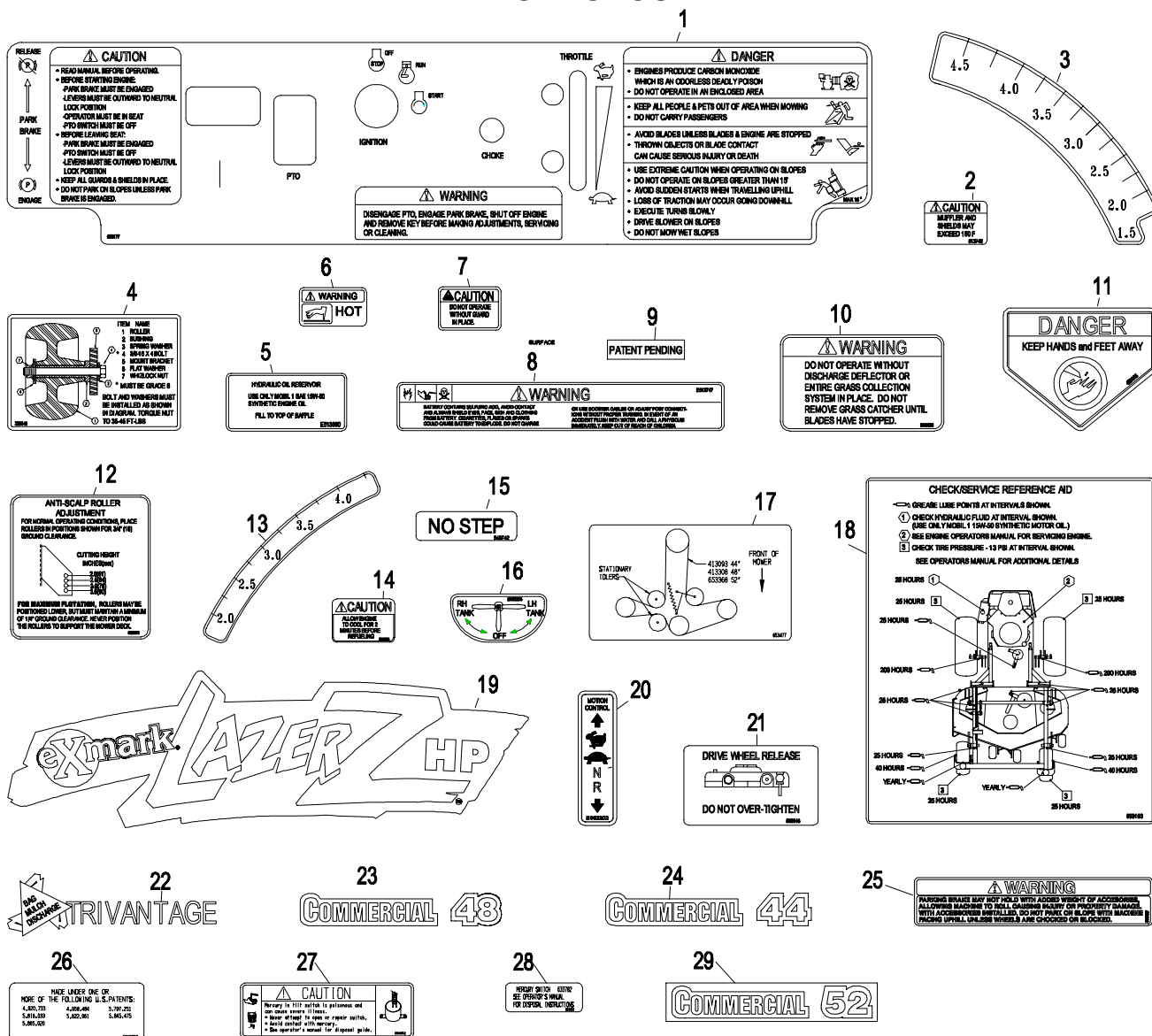


| Ref. No. | Part No. | Description                              | Qty. Req'd. | Ref. No. | Part No. | Description                        | Qty. Req'd. |
|----------|----------|--|-------------|----------|----------|------------------------------------|-------------|
| 1        | 652146   | Strap wldmt, engine guard.....           | 1           | 17       | 633543   | Strap, clutch/brake .....          | 1           |
| 2        | 809001   | Nut, whizlock 5/16-18 .....              | 16          | 18       | 800283   | Screw, 5/16-18 x 3 1/2 .....       | 1           |
| 3        | 800271   | Screw, 5/16-18 x 3/4 (44"&48") ....      | 14          | 19       | 800274   | Screw, 5/16 NC x 1 1/4 .....       | 1           |
|          |          | 800271 Screw, 5/16-18 x 3/4 (52").....   | 6           | 20       | 807259   | Key .....                          | 1           |
| 4        | 653095   | Shield, engine guard (44"& 48") ..       | 1           | 21       | 543214   | Spacer, crankshaft .....           | 1           |
| 5        | 653093   | Strap, engine guard .....                | 1           | 22       | 653035   | Sheave, pump drive .....           | 1           |
| 6        | 653194   | Muffler (17hp Kaw Only).....             | 1           | 23       | 653048   | Clutch.....                        | 1           |
|          |          | 653195 Muffler (18-23hp Koh Only) .....  | 1           | 24       | 603610   | Washer, disc spring 7/16 .....     | 2           |
|          |          | 653260 Muffler (19-23hp Kaw Only).....   | 1           | 25       | ◆ 800820 | Screw, 7/16-20 x 3 (Kaw).....      | 1           |
| 7        | 653196   | Bracket, muffler support .....           | 1           |          | ◆ 800819 | Screw, 7/16-20 x 2 1/2(Koh) .....  | 1           |
| 8        | 805258   | Washer, 5/16 std flat .....              | 2           | 26       | 303335   | Plastic tie (large) .....          | 2           |
| 9        | 804256   | Nut, nyloc 5/16-18 (Kaw).....            | 4           | 27       | 303334   | Washer, spring disc .....          | 4           |
|          |          | 809001 Nut, whizlock 5/16-18 (Koh) ..... | 4           | 28       | 805257   | Washer, 5/16 SAE flat (44"&48") .. | 3           |
| 10       | 800276   | Screw, 5/16-18 x 1 3/4.....              | 4           |          | 805257   | Washer, 5/16 SAE flat (52").....   | 11          |
| 11       | 543064   | Pipe Nipple (Koh) .....                  | 1           | 29       | 653565   | Shield, heat (17hp Kaw).....       | 1           |
| 12       | 303428   | Elbow, 90° (Koh).....                    | 1           |          | 653539   | Shield, heat (All except 17hp Kaw) | 1           |
| 13       | 523406   | Bushing, seat mount.....                 | 1           | 30       | 807503   | Bolt, carriage 5/16-18 x 3/4 ..... | 3           |
| 14       | 613235   | Washer.....                              | 4           | 31       | 804256   | Nut, nyloc 5/16-18 .....           | 3           |
| 15       | 633545   | Spacer, grommet.....                     | 2           | 32       | 653549   | Counterweight, 60# (52") .....     | 1           |
| 16       | 633630   | Grommet .....                            | 2           | 33       | 800275   | Screw,CapHH 5/16-18x1 1/2 (52")..  | 8           |

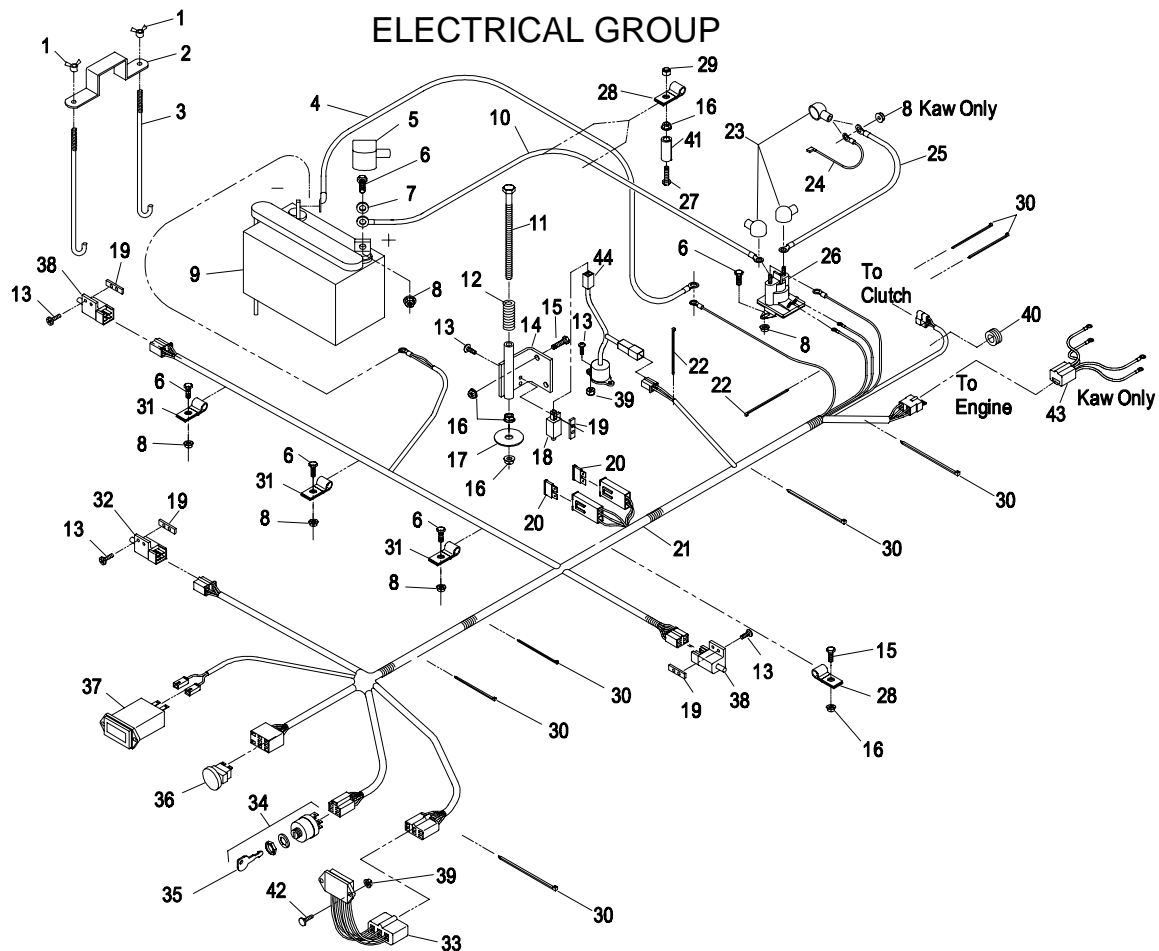
◆ Use Pro-Lock, Nut Type (P/N 840022, .5ml tube) on clutch bolt  
 Exmark black touch up spray paint – gloss black



# DECAL GROUP



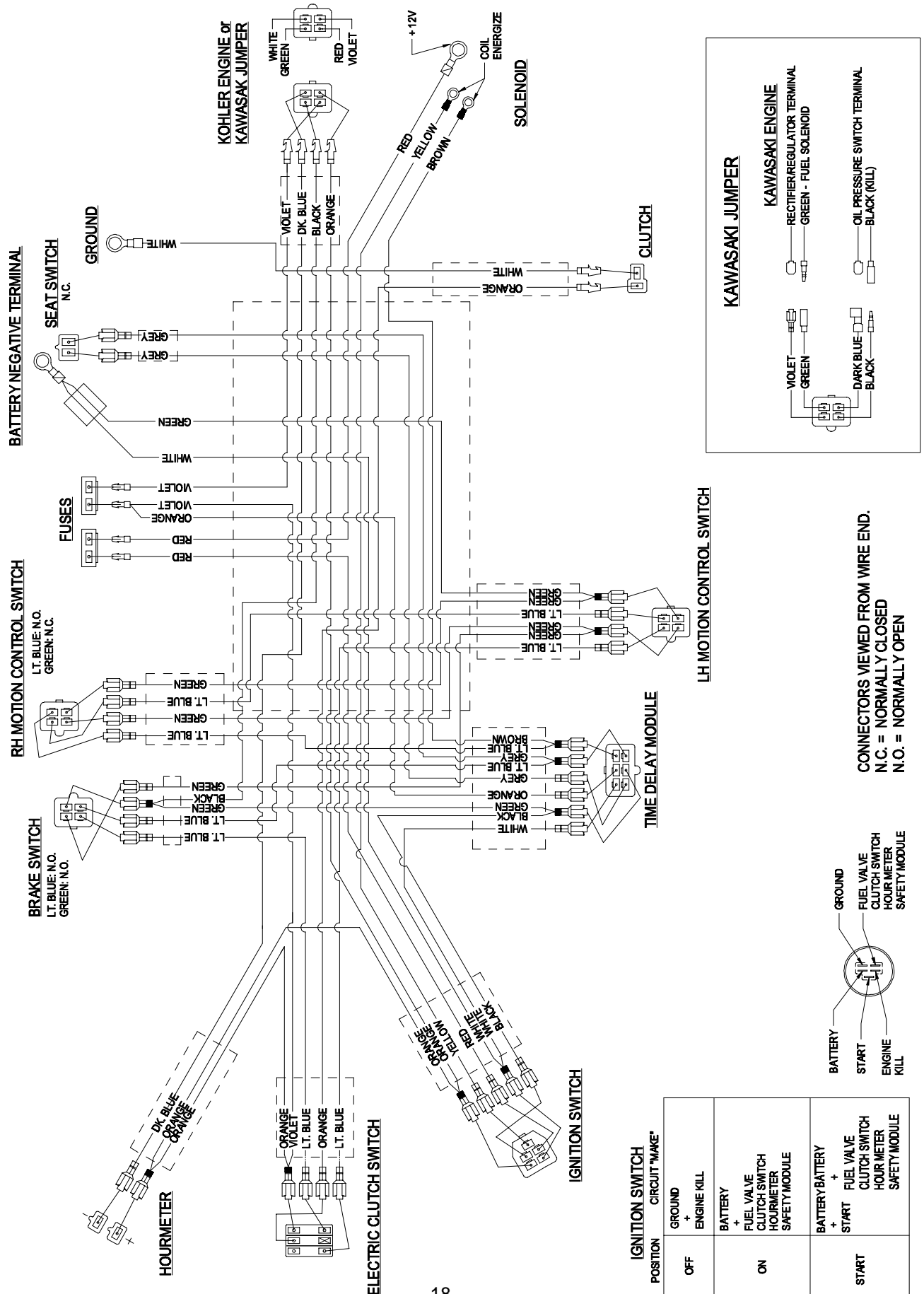
| Ref. No. | Part No. | Description                    | Qty. Req'd. | Ref. No. | Part No. | Description                    | Qty. Req'd. |
|----------|----------|--------------------------------|-------------|----------|----------|--------------------------------|-------------|
| 1        | 653245   | Decal, Panel.....              | 1           | 16       | 633346   | Decal, Fuel Valve .....        | 1           |
| 2        | 513746   | Decal, Muffler.....            | 2           | 17       | 653477   | Decal, Belt Routing .....      | 1           |
| 3        | 653140   | Decal, Deck Height .....       | 1           | 18       | 653183   | Decal, Check Service .....     | 1           |
| 4        | 323540   | Decal, Roller Mounting.....    | 1           | 19       | 653139   | Decal, Swash .....             | 2           |
| 5        | 513890   | Decal, Hydraulic Tank.....     | 1           | 20       | 633354   | Decal, Motion Control .....    | 2           |
| 6        | 633770   | Decal, Hot Surface .....       | 1           | 21       | 603845   | Decal, Hydro Drive Release ... | 1           |
| 7        | 513748   | Decal, Guard.....              | 1           | 22       | 303520   | Decal, Trivantage .....        | 1           |
| 8        | 513747   | Decal, Battery .....           | 1           | 23       | 403131   | Decal, Commercial 48.....      | 1           |
| 9        | 373066   | Decal, Patent Pending .....    | 2           | 24       | 523417   | Decal, Commercial 44.....      | 1           |
| 10       | 303508   | Decal, Discharge Warning ..... | 1           | 25       | 633827   | Decal, Park Brake Warning .... | 1           |
| 11       | 403005   | Decal, Danger .....            | 2           | 26       | 643289   | Decal, Patent No .....         | 1           |
| 12       | 633922   | Decal, Anti-Scalp .....        | 1           | 27       | 643372   | Decal, Hazardous Material..... | 1           |
| 13       | 653147   | Decal, Deck Height .....       | 1           | 28       | 643401   | Decal, Mercury switch.....     | 1           |
| 14       | 303293   | Decal, 2 Minute Cool.....      | 2           | 29       | 654520   | Decal Kit.....                 | 1           |
| 15       | 513742   | Decal, No Step.....            | 2           |          | 403132   | Decal, Commercial 52.....      | 1           |



| Ref. No. | Part No. | Description                       | Qty. Req'd. | Ref. No. | Part No. | Description                         | Qty. Req'd. |
|----------|----------|-----------------------------------|-------------|----------|----------|-------------------------------------|-------------|
| 1        | 543792   | Wingnut, nyloc 1/4-20 .....       | 2           | 23       | 543393   | Insulator, solenoid (+).....        | 3           |
| 2        | 633652   | Strap, battery holdown .....      | 1           | 24       | 543094   | Wire, starter solenoid (Koh only) . | 1           |
| 3        | 633651   | Bolt, battery holdown.....        | 2           | 25       | 633306   | Cable, starter (+) .....            | 1           |
| 4        | 523282   | Cable, ground (-).....            | 1           | 26       | 513075   | Switch, 12V solenoid.....           | 1           |
| 5        | 543391   | Insulator, battery .....          | 1           | 27       | 800279   | Screw, 5/16-18 x 2 1/2 .....        | 1           |
| 6        | 800252   | Screw, 1/4-20 x 3/4 .....         | 7           | 28       | 633396   | Clip, loom 5/8 .....                | 2           |
| 7        | 805256   | Washer, 1/4 flat .....            | 2           | 29       | 804256   | Nut, nyloc 5/16-18 .....            | 1           |
| 8        | 809012   | Nut, 1/4-20 whizlock .....        | 7           | 30       | 303335   | Plastic tie, large (Kaw).....       | 8           |
|          | 809012   | Nut, 1/4-20 whizlock (Kaw only).. | 8           |          | 303335   | Plastic tie, large (Koh) .....      | 7           |
| 9        | 603479   | Battery, 12V .....                | 1           | 31       | 323229   | Clip, loom 3/8 .....                | 3           |
| 10       | 523281   | Cable, battery (+) .....          | 1           | 32       | 633110   | Switch, brake N.O./N.O.....         | 1           |
| 11       | 800282   | Screw, 5/16-18 x 7 .....          | 1           | 33       | 543316   | Module, safety interlock.....       | 1           |
| 12       | 523415   | Spring, seat switch.....          | 1           | 34       | 543070   | Switch, ignition w/keys.....        | 1           |
| 13       | 803028   | Screw, #10-24 x 5/8 .....         | 10          | 35       | 603511   | Keys, ignition .....                | 1           |
| 14       | 652072   | Bracket wldmt, seat switch .....  | 1           | 36       | 633673   | Switch, blade .....                 | 1           |
| 15       | 800271   | Screw, 5/16-18 x 3/4.....         | 3           | 37       | 513374   | Meter, engine hours .....           | 1           |
| 16       | 809001   | Nut, whizlock 5/16-18.....        | 6           | 38       | 633111   | Switch, drive lever N.O./N.C....    | 2           |
| 17       | 653036   | Washer .....                      | 1           | 39       | 804252   | Nut, nyloc #10-20 .....             | 4           |
| 18       | 513152   | Switch, seat.....                 | 1           | 40       | 543286   | Grommet .....                       | 1           |
| 19       | 633181   | Plate.....                        | 4           | 41       | 633082   | Spacer .....                        | 1           |
| 20       | 816001   | Fuse-20 amp.....                  | 2           | 42       | 807533   | Carriage Bolt, #10-24 x 5/8 .....   | 2           |
| 21       | 653154   | Harness, wiring .....             | 1           | 43       | 613262   | Wiring Harness (Kaw only).....      | 1           |
| 22       | 303287   | Plastic tie, small .....          | 2           | 44       | 633782   | Switch, Tilt.....                   | 1           |

◆ Use dielectric grease on all wiring harness connectors.

# ELECTRICAL DIAGRAM



**SEE EXMARK'S COMPLETE  
LINE OF PRODUCTS FOR TURF CARE**

**LAZER Z™**

**LAZER Z™ HP**

**TURF RANGER®**

**TURF TRACER®**

**TURF TRACER® HP**

**VIKING HYDRO**

**METRO™**

**METRO™ HP**

**SELF STEERING SULKY**

**GRASS CATCHER**

**MICRO-MULCH™ ACCESSORY**

©1997,1998, 1999  
EXMARK MFG. CO. INC.  
INDUSTRIAL PARK BOX 808  
BEATRICE, NE 68310  
ALL RIGHTS RESERVED

PART NO. 850668  
(402) 223-6300  
FAX (402) 223-5489  
PRINTED IN U.S.A.

