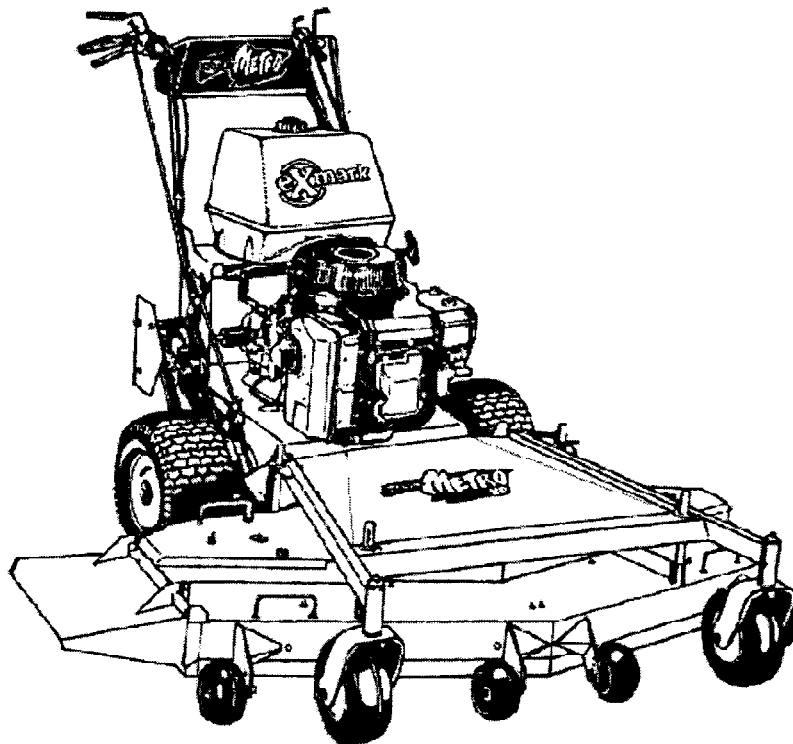


For Serial Nos.
220,000 & Higher



PART'S MANUAL

METROTM HP

CONGRATULATIONS on the purchase of your new Exmark mower. This product has been carefully designed and manufactured to give you a maximum amount of dependability and years of trouble-free operation.

If additional information is needed, or should you require trained mechanic service, contact your authorized Exmark equipment dealer or distributor.

If you need to order replacement parts from your dealer, always give the model number and serial number of your mower as well as the part number, description and quantity of the part needed.

The Serial No. plate is located next to the fuel tank on the top left-hand side of the fuel tank support.

For ease of ordering and reference, we suggest that you record the information requested in the following identification table.

Model No. _____

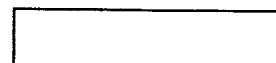
Serial No. _____

Engine Model No. _____

Engine Serial No. _____

Date Purchased _____

Paste Label From Literature Packet Here



EXMARK PARTS PLUS® PROGRAM

EFFECTIVE DATE: September 1, 1995

Program

If your Exmark dealer does not have the Exmark part in stock, Exmark will get the parts to the dealer the next business day or the part will be FREE* Guaranteed!!

How the Program Works

1. If dealer does not have part in stock for a "down" unit at the time of request by customer, the dealer contacts his distributor by 1:00 p.m., local time, and requests Exmark Parts Plus® shipment of six (6) line items or less.
2. Distributor ships part(s) to dealer or customer, as requested by dealer, same day, overnight UPS. Distributor bills dealer for part and freight charges where applicable.
3. If distributor does not have the part(s) in stock to satisfy Exmark Parts Plus® order, he contacts Exmark by 3:00 p.m., central time, with an Exmark Parts Plus® order of six (6) line items or less.
4. If order is received by 3:00 p.m. central time, Exmark ships part(s) direct to dealer or customer, as requested by distributor, same day, overnight UPS, Exmark bills the distributor for parts and shipping charges, where applicable.
5. The customer pays for the part and freight if it is shipped under the Exmark Parts Plus® and if it arrives in accordance to the program.
6. Who pays for the part and freight if it fails to arrive overnight in accordance to the program?
 - A. Under any circumstance the customer does not pay.
 - B. If the part does not arrive overnight due to:
 1. The dealer not submitting the Exmark Parts Plus® order to his Exmark distributor by 1:00 p.m., the dealer pays for the part and freight.
 2. The Distributor being unable to ship the part the same day or not submitting the Exmark Parts Plus® order to Exmark by 3:00 p.m., central time, the Distributor pays for the part and freight.
 3. Exmark being unable to ship the part and the Exmark parts order is received by 3:00 p.m., central time, Exmark pays for the part and freight.
 4. If the part does not arrive overnight due to the shipper (UPS), the shipper pays for the freight and Exmark pays for the part.



The following restrictions apply -- The Exmark Parts Plus® Program is available only through participating Exmark Dealers and applies only to orders submitted on this program Monday through Thursday. Parts Plus Service is available only in the 48 contiguous United States. UPS has initiated a Saturday delivery program to many areas of the continental United States and can be requested for an overnight shipment on Friday to be delivered Saturday. The next day air charge, plus the Saturday delivery fee will be the responsibility of the purchaser. Exmark Mfg. will assume no responsibility for Saturday delivery shipments. To qualify, all Exmark Parts Plus® orders must be received by Exmark by 3:00 p.m., central time. Orders must be six (6) line items or less. Exclusions from the Exmark Parts Plus® Program are: Any wholegood or accessory in its entirety, engines and engine replacement parts, 5-speed Peerless transmissions and 5-speed transaxles, hydraulic or hydrostatic wheel motors, cutter decks and engine decks or any item exceeding United Parcel Service size and weight restrictions.

Due to UPS restrictions, aerosol spray paint is considered a hazardous material and cannot be shipped via UPS next day or Second Day Air.

Exmark Manufacturing stocks a limited supply of parts for transaxles, pumps and wheel motors. These parts can be ordered for Next Day Air shipment but will not be guaranteed per the Parts Plus Program.



**READ OPERATOR'S MANUAL BEFORE
OPERATING OR SERVICING EXMARK EQUIPMENT.**

TABLE OF CONTENTS

<u>Description</u>	<u>Page</u>
Decals	15
Engine Deck Group	9-12
52" Mower Deck	7-8
48" Mower Deck	5-6
36" Mower Deck	3-4
Upper Handles & Controls	13-14
Wiring Diagrams	16

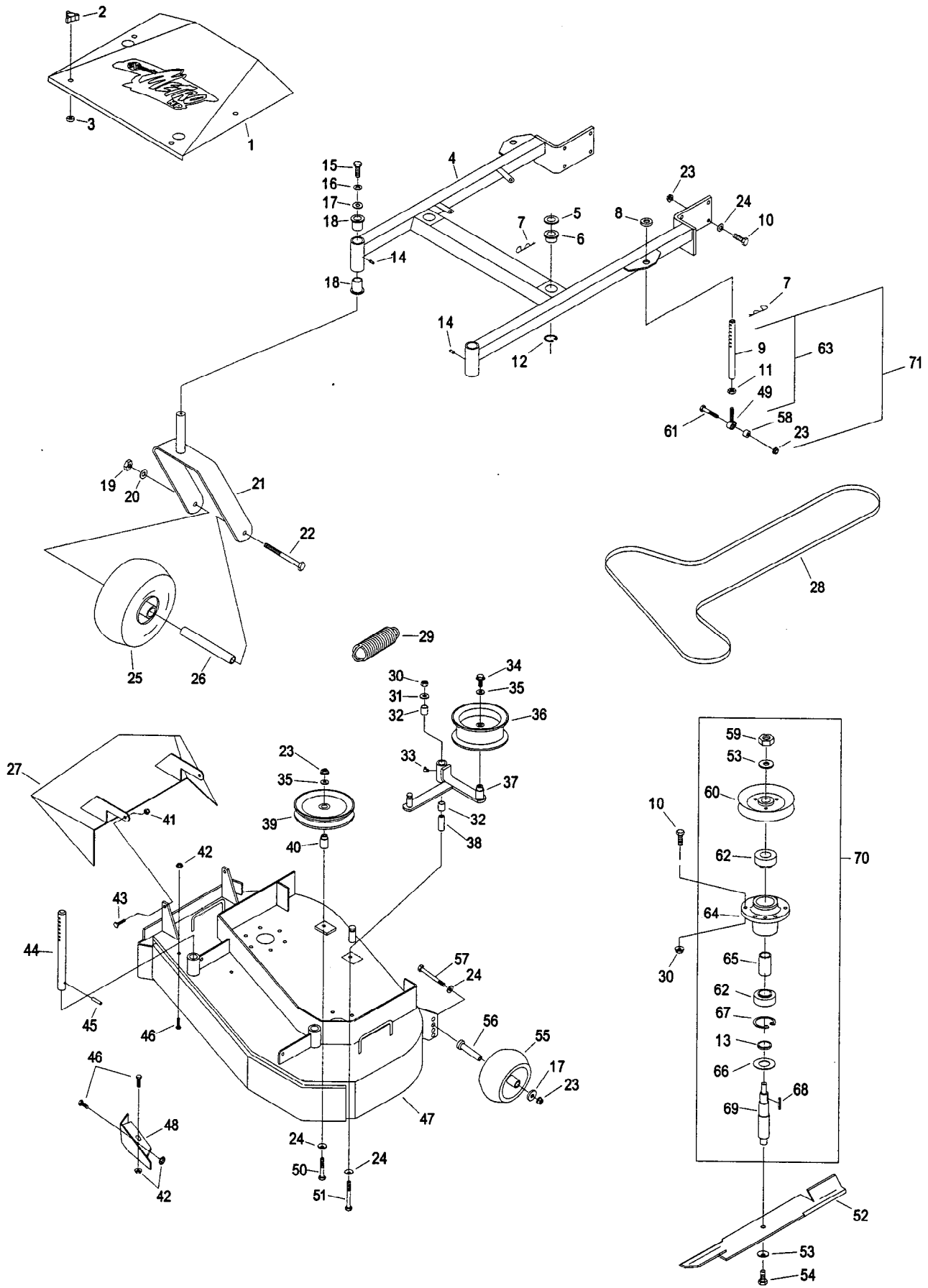
36" MOWER DECK

Ref. No.	Part No. Description	Qty. Req'd.	Ref. No.	Part No. Description	Qty. Req'd.
1	414435 Shield, belt w/decals	1	37	412134 Arm, weldmt	1
	413098 Shield, belt	1		414144 Arm, Weldmt w/bushings	1
2	323385 Knob, belt shield	4	38	603384 Bushing, Idler Pivot	1
3	323417 Washer, belt cover.....	4	39	613098 Pulley, Idler	1
4	414309 Support weldmt w/bushings &decals	1	40	413113 Bushing, Idler	1
	412108 Support weldmt	1	41	804256 Nut, Nylock 5/16-18	2
5	413425 Spacer, Front Deck Support	2	42	809001 Nut, Whizlock 5/16-18	3
6	513336 Bushing, deck support	2	43	800273 Screw, Hex Cap 5/16-18x1	2
7	806009 Hairpin, Cotter	4	44	603001 Rod, Deck Support	2
8	303164 Spacer, Blade Drive	2	45	806332 Rollpin, 1/4x1-1/2	2
9	413525 Link, Deck Support	2	46	800270 Screw, Hex Cap 5/16-18x5/8	3
10	800293 Screw,Hex Cap 3/8-16x1-1/4	20	47	414383 Deck weldmt w/decals, discharge	
11	804525 Nut, Reg Hex 3/8-24	2		baffle & support rods	1
12	808507 Ring, Retaining	2		412104 Deck weldmt	1
13	323533 Spacer	2	48	522480 Baffle, discharge	1
14	811001 Zerk, straight 1/8	2	49	613204 Ball Joint	2
15	800292 Screw, Hex Cap 3/8-16x1	2	50	800299 Screw, Hex Cap 3/8-16x2-3/4	1
16	805006 Washer, 3/8 heavy spring.....	2	51	800805 Screw, Hex Cap 3/8-16x3-1/2 G8....	1
17	373034 Washer, Swivel	3	52	633482 Blade, 18.00 notched air foil.....	2
18	303514 Bearing, Flange	4		613251 Blade, 18.00 solid air foil.....	2
19	804509 Nut, Reg Hex 1/2-13	2	●	633484 Blade, 18.00 mulching	2
20	805008 Washer, Lock Hlcl Spg 1/2 Reg	2		633485 Blade, 18.00 low lift (optional)	2
21	522143 Caster weldmt	2	53	513208 Washer, Spring disc	4
22	800334 Screw, Hex Cap 1/2-13x6	2	54	800848 Screw, Hex Cap 5/8-11x1 G 8	2
23	809007 Nut, Whizlock 3/8-16	12	55	603299 Roller, antiscalp	1
24	303327 Washer, Disc Spring 3/8	11	56	603602 Bushing, roller	1
25	513648 Tire & Wheel Assembly	2	57	800807 Screw, Hex Cap 3/8-16x4 G8	1
	513807 Wheel & Hub	2	58	603050 Bushing Spacer	2
	513808 Tire, 9x3.50-4 4-ply	2	59	804510 Nut, Reg Hex 5/8-18	2
	513809 Roller Bearing	2	60	* 413424 Sheave w/Hub	2
	513810 Bushing	4	61	800295 Screw, Hex Cap 3/8-16x1-3/4	2
26	513547 Spacer	2	62	513016 Bearing	4
27	412238 Chute weldmt, discharge	1	63	414521 Link, Assembly	2
28	413094 Belt, deck drive	1	64	323532 Housing, Spindle	2
29	633151 Spring, extension	1	65	323528 Spacer, Bearing	2
30	804257 Nut, Nyloc 3/8-16	13	66	633573 Guard, Bearing-Bottom	2
31	805260 Washer, Flat Std 3/8	1	67	808502 Ring, Snap	2
32	513034 Pivot, Bearing	2	68	807268 Key, machine	2
33	811008 Zerk, 90 degree 1/4-28	1	69	413330 Shaft, Spindle	2
34	803016 Bolt, Hex Whizlock 3/8-16x1	1	70	414335 Housing, Cutter Assembly	2
35	805259 Washer, Flat 3/8 SAE	2	71	611216 Kit, Link Assembly	2
36	413099 Pulley, Idler	1			

● Requires installation of Micro-Mulch accessory for proper mulching. Mulch kit P/N MK363(36")
Exmark red touch up spray paint - P/N 850337

* Use antisieze on bore of sheave

36" MOWER DECK



48" MOWER DECK

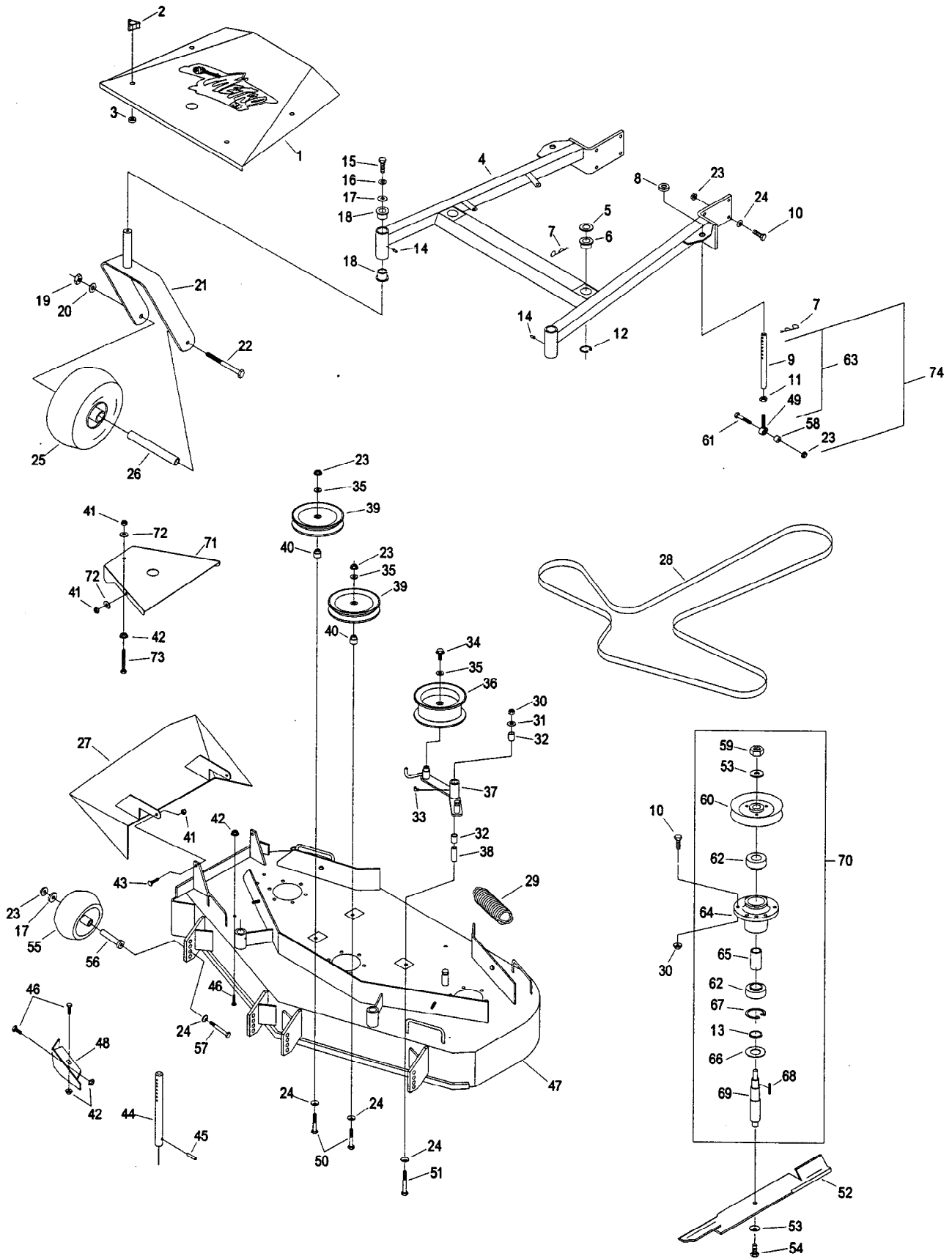
Ref. No.	Part No.	Description	Qty. Req'd.	Ref. No.	Part No.	Description	Qty. Req'd.
1	414436	Shield, belt w/decals	1	38	603384	Bushing, Idler Pivot.....	1
	413101	Shield, belt	1	39	613098	Pulley, Idler	2
2	323385	Knob, belt shield	4	40	413113	Bushing, Idler.....	2
3	323417	Washer, belt cover	4	41	804256	Nut, Nyloc 5/16-18.....	8
4	414310	Support weldmt w/bushings & decals	1	42	809001	Nut, Whizlock 5/16-18	5
	412110	Support weldmt.....	1	43	800273	Screw, Hex Cap 5/16-18	2
5	413425	Spacer, Front Deck Support	2	44	603001	Rod, Deck Support	2
6	513336	Bushing, deck support	2	45	806332	Rollpin, 1/4x1 1/2.....	2
7	806009	Hairpin, Cotter.....	4	46	800270	Screw, Hex Cap 5/16-18 x 1.....	3
8	303164	Spacer, Blade Drive.....	2	47	414384	Deck weldmt w/decals, discharge Baffle & support rods	1
9	413525	Link, Deck Support	2		412106	Deck weldmt	1
10	800293	Screw, Hex Cap 3/8-16 x 1 1/4.....	26	48	522480	Baffle, discharge.....	1
11	804525	Nut, Reg Hex 3/8-24	2	49	613204	Ball Joint	2
12	808507	Ring, Retaining	2	50	800299	Screw, Hex Cap 3/8-16 x 2 3/4.....	2
13	323533	Spacer.....	3	51	800805	Screw, Hex Cap 3/8-16 x 3 1/2 G8.....	1
14	811001	Zerk, Straight 1/8	2	52	323515	Blade, 16.25 notched air foil	3
15	800292	Screw, Hex Cap 3/8-16x1.....	2		413438	Blade, 16.25 solid air foil.....	3
16	805006	Washer, 3/8 heavy spring	2		•403148	Blade, 16.25 mulching.....	3
17	373034	Washer, Swivel.....	6		403149	Blade, 16.25 low lift (optional).....	3
18	303514	Bearing, Flange.....	4	53	513208	Washer, Spring disc	3
19	804509	Nut, Reg Hex 1/2-13	2	54	800848	Screw, Hex Cap 5/8-11 x 1 G8.....	3
20	805008	Washer, Lock Hlcl Spg 1/2 Reg.....	2	55	603299	Roller, antiscalp	4
21	522143	Caster weldment.....	2	56	603602	Bushing, roller.....	4
22	800334	Screw, Hex Cap 1/2-13x6.....	2	57	800807	Screw, Hex Cap 3/8-16x1 3/4.....	2
23	809007	Nut, Whizlock 3/8-16	16	58	603050	Bushing Spacer	3
24	303327	Washer, Disc Spring 3/8	15	59	804510	Nut, Reg hex 5/8-18	3
25	513648	Tire & Wheel Assembly.....	2	60	*413424	Sheave w/Hub	2
	513807	Wheel & Hub	2	61	800295	Screw, hex Cap 3/8-16x1 3/4	6
	513808	Tire, 9x3/5-4 4-ply.....	2	62	513016	Bearing	2
	513809	Roller Bearing.....	2	63	414521	Link, Assembly	2
	813810	Bushing	4	64	323532	Housing, Spindle	3
26	513547	Spacer	2	65	323528	Spacer, Bearing.....	3
27	522478	Chute weldment, discharge.....	1	66	633573	Guard, Bearing-Bottom.....	3
28	413093	Belt, deck drive	1	67	808502	Ring, Snap	3
29	633151	Spring, extension	1	68	807268	Key, machine.....	3
30	804257	Nut, Nyloc 3/8-16	19	69	413330	Shaft, Spindle	3
31	805260	Washer, Flat Std 3/8.....	1	70	414335	Housing, Cutter Assembly	3
32	513034	Pivot, Bearing	2	71	653482	Shield, Belt.....	2
33	811008	Zerk, 90 degree 1/4-28.....	1	72	805258	Washer, Flat Std 5/16.....	2
34	803016	Bolt, Hex Whizlock 3/8-16x1	1	73	800017	Bolt, Hex Tap 5/16-18 3 1/4.....	2
35	805259	Washer, Flat 3/8 SAE.....	3	74	611216	Kit, Link Assembly	3
36	413099	Pulley, Idler.....	1				
37	412394	Arm, weldmt	1				
	414398	Arm, weldmt w/bushings	1				

• Requires installation of Micro-Mulch accessory for proper mulching. Mulch kit P/N MK483(48")

* Use antisieze on hub of bore.

Exmark red touch up spray paint - P/N 850337

48" MOWER DECK



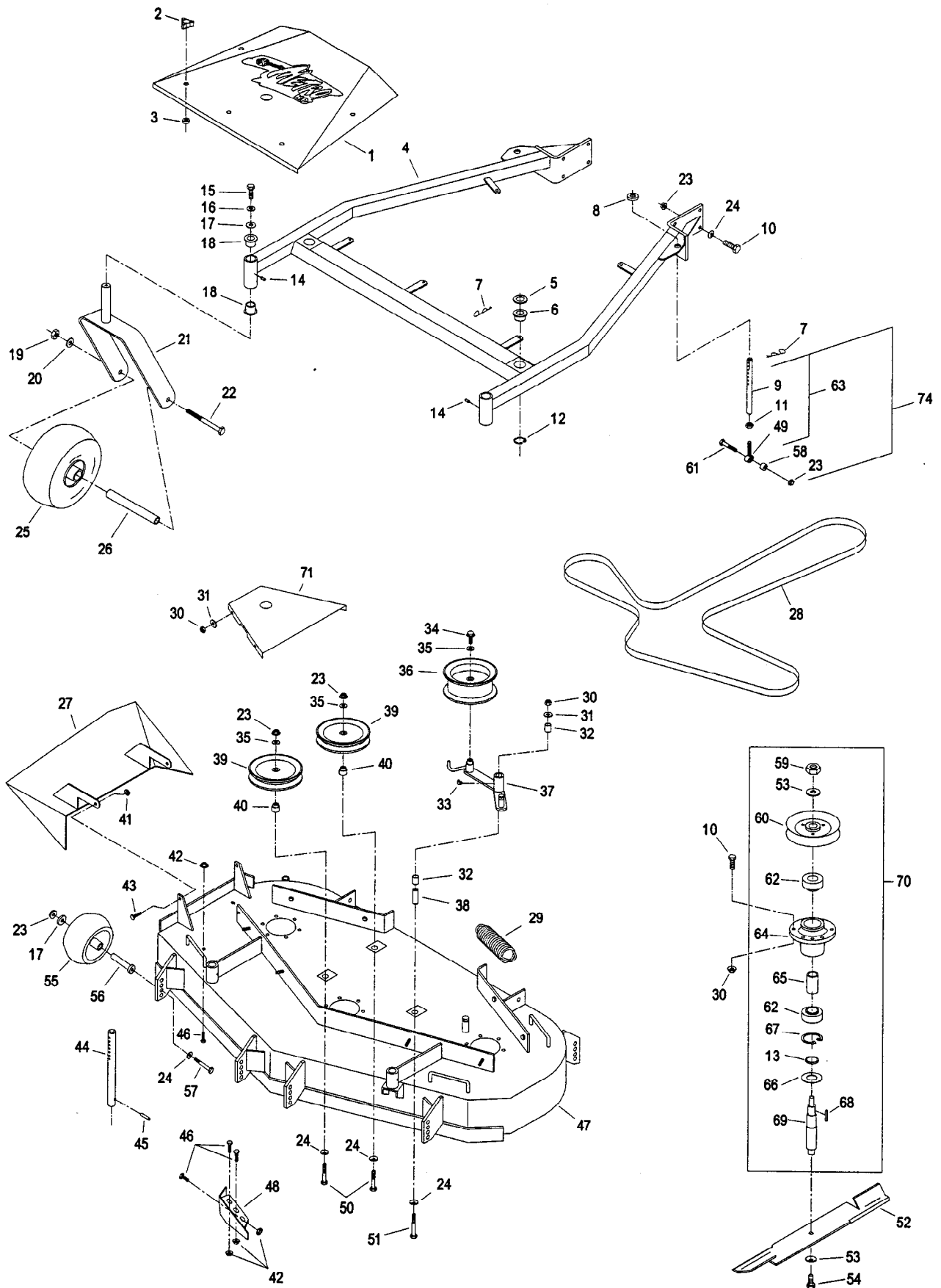
52" MOWER DECK

Ref. No.	Part No. Description	Qty. Req'd.	Ref. No.	Part No. Description	Qty. Req'd.
1	414437 Shield, belt w/decals	1	37	412394 Arm, weldmt	1
	413303 Shield, belt	1		414398 Arm, Weldmt w/bushings	1
2	323385 Knob, belt shield	5	38	603384 Bushing, Idler Pivot	1
3	323417 Washer, belt cover.....	5	39	613098 Pulley, Idler	2
4	414311 Support weldmt w/bushings &decals	1	40	413113 Bushing, Idler	2
	412317 Support weldmt	1	41	804256 Nut, Nylock 5/16-18	2
5	413425 Spacer, Front Deck Support	2	42	809001 Nut, Whizlock 5/16-18	4
6	513336 Bushing, deck support	2	43	800273 Screw, Hex Cap 5/16-18x1	2
7	806009 Hairpin, Cotter	4	44	603001 Rod, Deck Support	2
8	303164 Spacer, Blade Drive	2	45	806332 Rollpin, 1/4x1-1/2	2
9	413525 Link, Deck Support	2	46	800270 Screw, Hex Cap 5/16-18x5/8	4
10	800293 Screw, Hex Cap 3/8-16x1-1/4	26	47	414385 Deck weldmt w/decals, discharge baffle & support rods	1
11	804525 Nut, Reg Hex 3/8-24	2		412313 Deck weldmt	1
12	808507 Ring, Retaining	2	48	602913 Baffle, discharge	1
13	323533 Spacer	3	49	613204 Ball Joint	2
14	811001 Zerk, straight 1/8	2	50	800299 Screw, Hex Cap 3/8-16x2-3/4	2
15	800292 Screw, Hex Cap 3/8-16x1	2	51	800805 Screw, Hex Cap 3/8-16x3-1/2 G8 ...	1
16	805006 Washer, 3/8 heavy spring.....	2	52	633482 Blade, 18.00 notched air foil	3
17	373034 Washer, Swivel	8		613251 Blade, 18.00 solid air foil	3
18	303514 Bearing, Flange	4		● 633484 Blade, 18.00 mulching	3
19	804509 Nut, Reg Hex 1/2-13	2		633485 Blade, 18.00 low lift (optional)	3
20	805008 Washer, Lock Hlcl Spg 1/2 Reg	2	53	513208 Washer, Spring disc	6
21	522143 Caster weldmt	2	54	800848 Screw, Hex Cap 5/8-11x1 G 8	3
22	800334 Screw, Hex Cap 1/2-13x6	2	55	603299 Roller, antiscalp	6
23	809007 Nut, Whizlock 3/8-16	18	56	603602 Bushing, roller	6
24	303327 Washer, Disc Spring 3/8	17	57	800807 Screw, Hex Cap 3/8-16x4 G8	6
25	513648 Tire & Wheel Assembly	2	58	603050 Bushing Spacer	2
	513807 Wheel & Hub	2	59	804510 Nut, Reg Hex 5/8-18	3
	513808 Tire, 9x3.50-4 4-ply	2	60	* 413424 Sheave w/Hub	3
	513809 Roller Bearing	2	61	800295 Screw, Hex Cap 3/8-16x1-3/4	2
	513810 Bushing	4	62	513016 Bearing	6
26	513547 Spacer	2	63	414521 Link, Assembly	2
27	602571 Chute weldmt, discharge	1	64	323532 Housing, Spindle	3
28	413308 Belt, deck drive	1	65	323528 Spacer, Bearing	3
29	633151 Spring, extension	1	66	633573 Guard, Bearing-Bottom	3
30	804257 Nut, Nyloc 3/8-16	27	67	808502 Ring, Snap	3
31	805260 Washer, Flat Std 3/8	9	68	807268 Key, machine	3
32	513034 Pivot, Bearing	2	69	413330 Shaft, Spindle	3
33	811008 Zerk, 90 degree 1/4-28	1	70	414335 Housing, Cutter Assembly	3
34	803016 Bolt, Whizlock 3/8-16x1	1	71	413305 Shield, Belt	2
35	805259 Washer, Flat 3/8 SAE	3			
36	413099 Pulley, Idler	1			

● Requires installation of Micro-Mulch accessory for proper mulching. Mulch kit P/N MK523(52")
Exmark red touch up spray paint - P/N 850337

* Use antisieze on bore of sheave.

52" MOWER DECK



ENGINE DECK GROUP

Ref. No.	Part No.	Description	Qty. Req'd.	Ref. No.	Part No.	Description	Qty. Req'd.
1	323250	Grip Foam.....	1	47	323548	Linkage, Brake.....	2
2	804264	Nut, Nyloc 3/8-24.....	1	48	322125	Swivel, Weldmt Brake Linkage....	2
3	303327	Washer, Disc Spring 3/8.....	7	49	323245	Spring, Compression.....	2
4	323379	Washer, Shifter Lever.....	1	50	805257	Washer, Flat SAE 5/16.....	4
5	323500	Transmission, Peerless.....	1	51	513959	Wingnut, Nyloc 5/16.....	4
6	811006	Zerk, Straight ¼-28 5/32.....	6	52	412518	Deck, Weldmt Engine.....	1
7	324340	Coupling, w/guard & zerk.....	2	53	808522	Ring, Klip 3/8.....	2
8	807009	Key Woodruff #9 3/4x3/16.....	3	54	808520	Ring, Klip 5/16.....	2
9	323502	Shaft, Transmission Output 9 spline	2	55	323283	Spacer, Shield.....	4
10	322152	Lever, Shift w/grip.....	1	56	412379	Arm, Wldmt RH (shown).....	1
11	303282	Switch, Neutral Start.....	1		412378	Arm, Wldmt LH.....	1
12	809013	Screw, Hex Tap 5/16-18 x 3/4.....	4	57	800275	Screw, Hex Cap 5/16-18x1 1/2....	2
13	809001	Nut, whizlock 5/16-18.....	18	58	804256	Nut, Nyloc 5/16-18.....	4
14	323387	Plate, Shifter.....	1	59	800306	Screw, Hex Cap 3/8-16x5.....	4
15	807503	Bolt, Carriage 5/16-18 x 3/4.....	2	60	413359	Shield, Wheel Drive.....	2
16	323389	Leg, Shifter Plate.....	2	61	800274	Screw, Hex Cap 5/16-18x1 1/4....	1
17	323526	Ball, Stainless Steel.....	1	62	323261	Brake Drum.....	2
18	805005	Washer, Lock Hlcl Spg 5/16.....	4	63	413331	Sheave, Wheel Drive w/offset....	2
19	800271	Screw, Hex Cap 5/16-18 x 3/4.....	6	64	413332	Sheave, Wheel Drive.....	2
20	808523	Ring, Retaining.....	2	65	543511	Seal, Grease.....	2
21	323252	Bearing, Transmission Shaft.....	2	66	543509	Cone, Bearing L44643.....	4
22	804255	Nut, Nyloc ¼-20.....	4	67	543508	Cup, Bearing L44610.....	4
23	800251	Screw, Hex Cap ¼-20 x 5/8.....	4	68	413333	Wheel, Hub w/cups.....	2
24	323254	Flange, Output.....	2		633926	Stud, wheel (1 ½").....	8
25	803310	Screw, Set 5/16-18 x 3/8.....	2	69	523157	Washer, Spacer.....	2
26	413355	Sleeve, Axle.....	1	70	806800	Pin, Cotter 9/64x1 1/2.....	2
27	413334	Sheave, Transmission Output.....	2	71	809082	Nut, Slotted Hex.....	2
28	809007	Nut, Whizlock 3/8-16.....	22	72	543513	Cap, Grease.....	2
29	412376	Axle Weldment.....	2	73	413473	Wheel & Tire Assembly.....	2
30	543556	Spacer, Wheel.....	2		413474	Tire 16x6.50 - 8.....	2
31	413347	Bushing, Sleeve.....	4		603715	Wheel.....	2
32	414375	Lever, Brake RH w/bushings (shown)	1	74	513011	Nut, Wheel ½-20.....	8
	414374	Lever, Brake LH w/bushings.....	1	75	413341	Belt, Wheel Drive Banded.....	2
33	413344	Bushing, Pivot.....	2	76	411255	Kit, Sulky Hitch.....	1
34	805260	Washer, Flat Std 3/8.....	2	77	413252	Bracket, Sulky LH.....	1
35	800296	Screw, Hex Cap 3/8-16 x 2.....	2	78	413254	Bracket, Sulky RH.....	1
36	803051	Nut, Push .38.....	2	79	323681	Guard, coupler.....	1
37	800295	Screw, Hex Cap 3/8-16x1 3/4.....	2	80	∇543233	Cap, 3/8 NPT Hex (Koh).....	1
38	323262	Brake Band.....	2	81	806003	Cotter, Hairpin .0585 #2.....	2
39	323307	Pin, Clevis.....	2	82	∇323326	Nipple, 3/8 NPT x 3 (Koh).....	1
40	800292	Screw, Hex Cap 3/8-16 x 1.....	12	83	∇303431	Elbow, Brass 90° (Koh).....	1
41	804752	Nut, Jam 3/8-16.....	2	84	412358	Scraper, Wldmt.....	2
42	804257	Nut, Nyloc 3/8-16.....	6	85	413353	Pin, Threaded.....	2
43	603402	Spring, Extension.....	2	86	323607	Shield, Trailing Toro.....	1
44	323277	Idler, Wheel Drive.....	2	87	413510	Clip, Loom .50.....	2
45	800032	Bolt, Hex Tap 3/8-16 x 3.....	2	88	413511	Hanger, Drag Shield.....	2
46	323368	Swivel, Short.....	2				

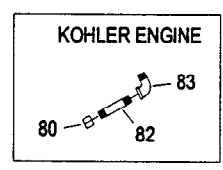
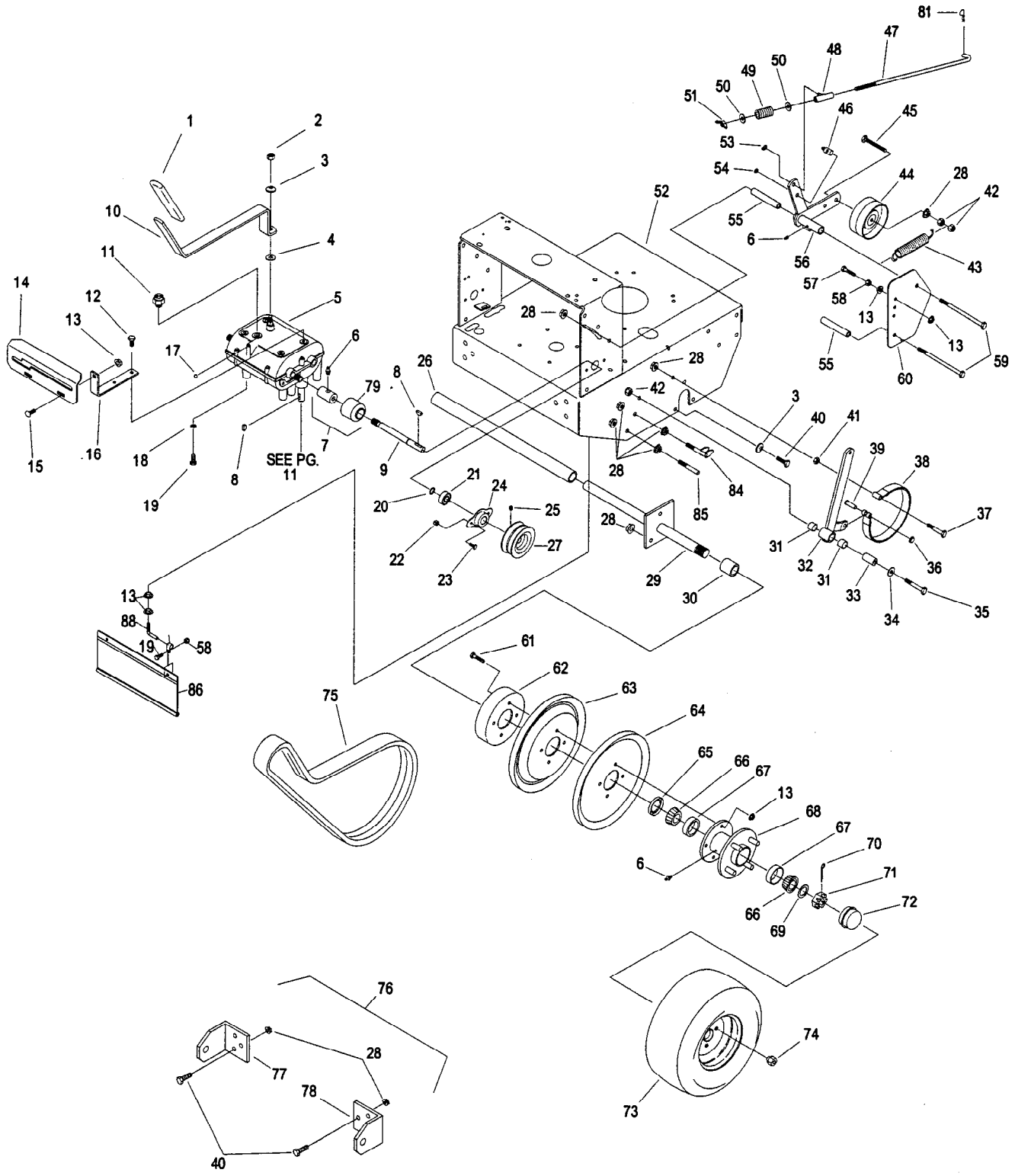
◇ Use Pro-lock (Nut type) Part No. 840022 (.5ml tube) on setscrew threads.

∇ Use Teflon Pipe sealant (or equivalent) on all pipe threads.

Exmark red touch up spray paint - P/N 850337

Exmark black touch up spray paint - Gloss Black

ENGINE DECK GROUP



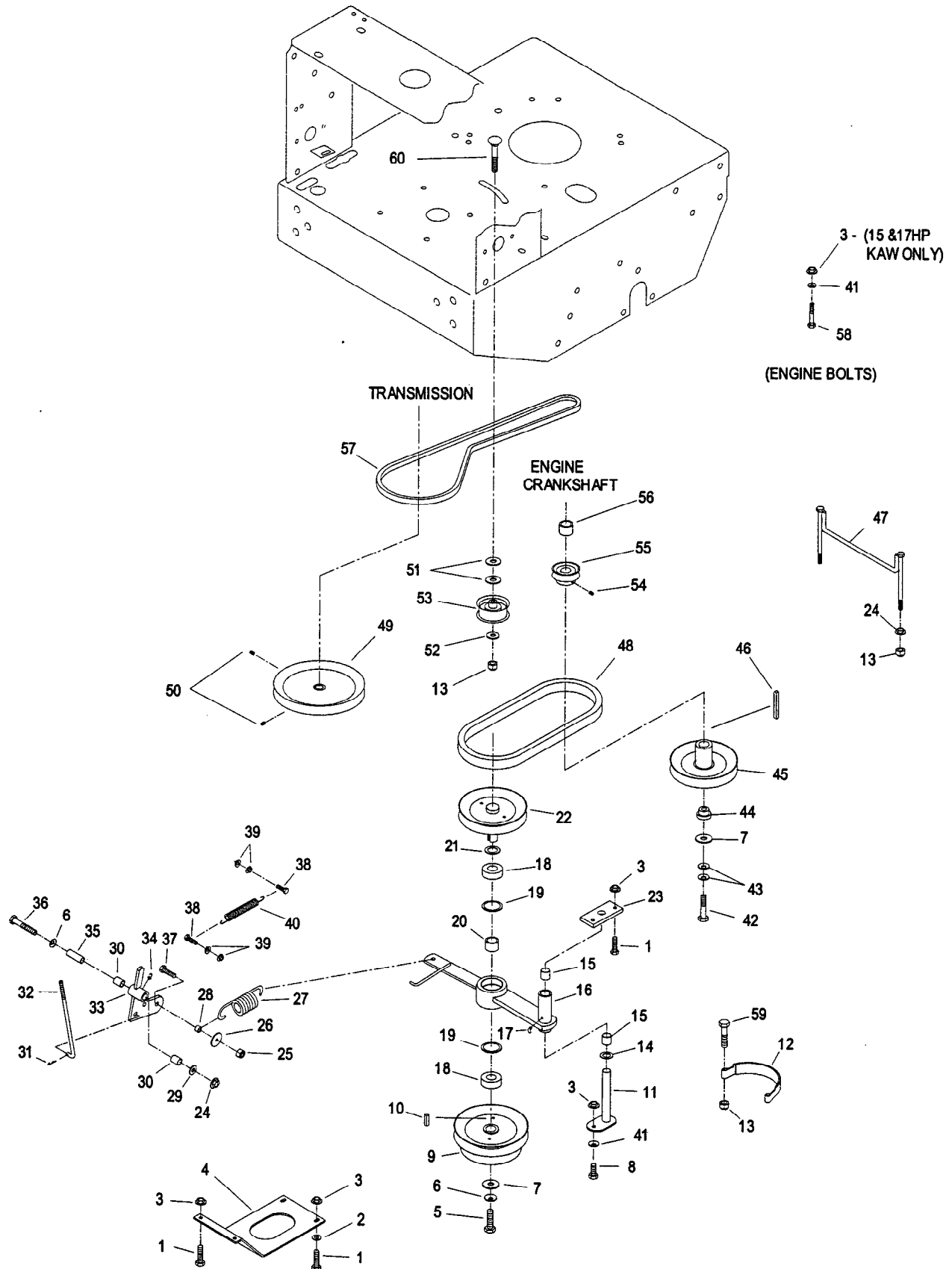
ENGINE DECK GROUP (CONT.)

Ref. No.	Part No.	Description	Qty. Req'd.	Ref. No.	Part No.	Description	Qty. Req'd.
1	800297	Screw, 3/8-16 x 2-1/4	6	31	806003	Pin, Hair Cotter .0585 #2.....	1
2	805258	Washer, Flat Std 5/16.....	2	32	413282	Linkage, Lower	1
3	809001	Nut, Whizlock 5/16-18 (Koh)	7	33	414143	Link Pivot w/Bearing.....	1
	809001	Nut, Whizlock 5/16-18 (15&17 Kaw)	4	34	811006	Zerk, Straight 1/4-28	1
4	413009	Plate, Guard	1	35	603044	Bushing, Idler Pivot	1
5 ◇	800521	Screw, Hex Cap 3/8-24x1 G8.....	1	36	800297	Screw, Hex Cap 3/8-16x2 1/4	1
6	303327	Washer, Disc Spring 3/8.....	2	37	800274	Screw, Hex Cap 5/16-18x1 1/4	1
7	373034	Washer, Swivel.....	2	38	800254	Screw, Hex Cap 1/4-20x1	2
8	800271	Screw, Hex Cap 5/16-18x3/4.....	1	39	809012	Nut, Whizlock 1/4-20.....	4
9 ▲	412031	Sheave, w/drum (36" & 52")	1	40	523498	Spring, Motion Control.....	1
▲	513113	Sheave, w/drum (48")	1	41	303334	Washer, Disc Spring 5/16	5
10	807259	Key, Mach 1/4x1/4x1	1	42 ◇	800819	Screw, hex cap 7/16-20x2 1/2.....	1
11	412138	Pivot Pin Wldmnt	1	43	603610	Disc, Spring 7/16.....	2
12	413062	Band, Brake Clutch.....	1	44	603609	Bushing, Clutch Keeper.....	1
13	804257	Nut, Nyloc 3/8-16.....	5	45 ▲	413339	Sheave, Engine	1
14	413235	Washer, Spacer.....	1	46	807264	Key, Machine 1/4x1/4x2 5/8	1
15	413207	Pivot, Bearing	2	47	412325	Guide, Belt Weldmt	1
16	412417	Arm Weldmt, Clutch	1	48	413096	Belt, Blade Clutch.....	1
	414418	Clutch Arm w/Bearings	1	49 ▲	323278	Sheave, Transmission.....	1
17	811007	Zerk, 1/4-28x45	1	50 ◇	803293	Screw, Set 1/4-20x3/8	2
18 ▲	413111	Bearing, Clutch Shaft.....	2	51	805262	Washer, Flat Std 7/16	2
19	808502	Ring, Snap	2	52	805259	Washer, Flat SAE 3/8.....	1
20	413012	Spacer, Bearing Clutch.....	1	53	323285	Idler, Transmission Drive	1
21	523157	Washer, Spacer.....	1	54 ◇	803310	Screw, Set 5/16-18x3/8.....	1
22	412011	Sheave w/shaft	1	55 ▲	323256	Sheave, Transmission Drive	1
23	413049	Plate, Clutch Pivot	1	56	413340	Spacer, Crankshaft	1
24	809007	Nut, Whizlock 3/8-16	3	57	323280	Belt, Transmission Drive	1
25	804256	Nut, Nyloc 5/16-18	1	58	800275	Screw, Hex Cap 5/16-18x1 1/2 (15&17hp Kaw).....	4
26	213069	Washer, Strut	1		809072	Screw, Hex Cap M8-1.25x25mm (Koh).....	4
27	513113	Spring, Belt Tension	1	59	800294	Screw, Hex Cap 3/8-16x1 1/2	2
28	543007	Spacer, Clutch Anchor.....	1	60	807511	Bolt, Carriage SSN 3/8-16x2.....	1
29	805260	Washer, Flat Std 3/8.....	1				
30	513034	Pivot, Bearing	2				

- ▲ Use anti-seize compound in the following locations:
 - ◆ Between the sheave and the engine crankshaft.
 - ◆ Between the sheave w/shaft and the bearing bores.
 - ◆ Between the sheave w/shaft and the sheave w/drum.
 - ◆ Between the transmission shaft and the sheave.
- ◇ Use Pro-lock (Nut type) Part No. 840022 (.5ml tube) In the following locations:
 - ◆ On setscrew locations.
 - ◆ On sheave retaining bolt in engine crankshaft.
 - ◆ On sheave retaining bolt on clutch arm.

Exmark red touch up spray paint – P/N 850337
 Exmark black touch up spray paint – Gloss black

ENGINE DECK GROUP (CONT.)

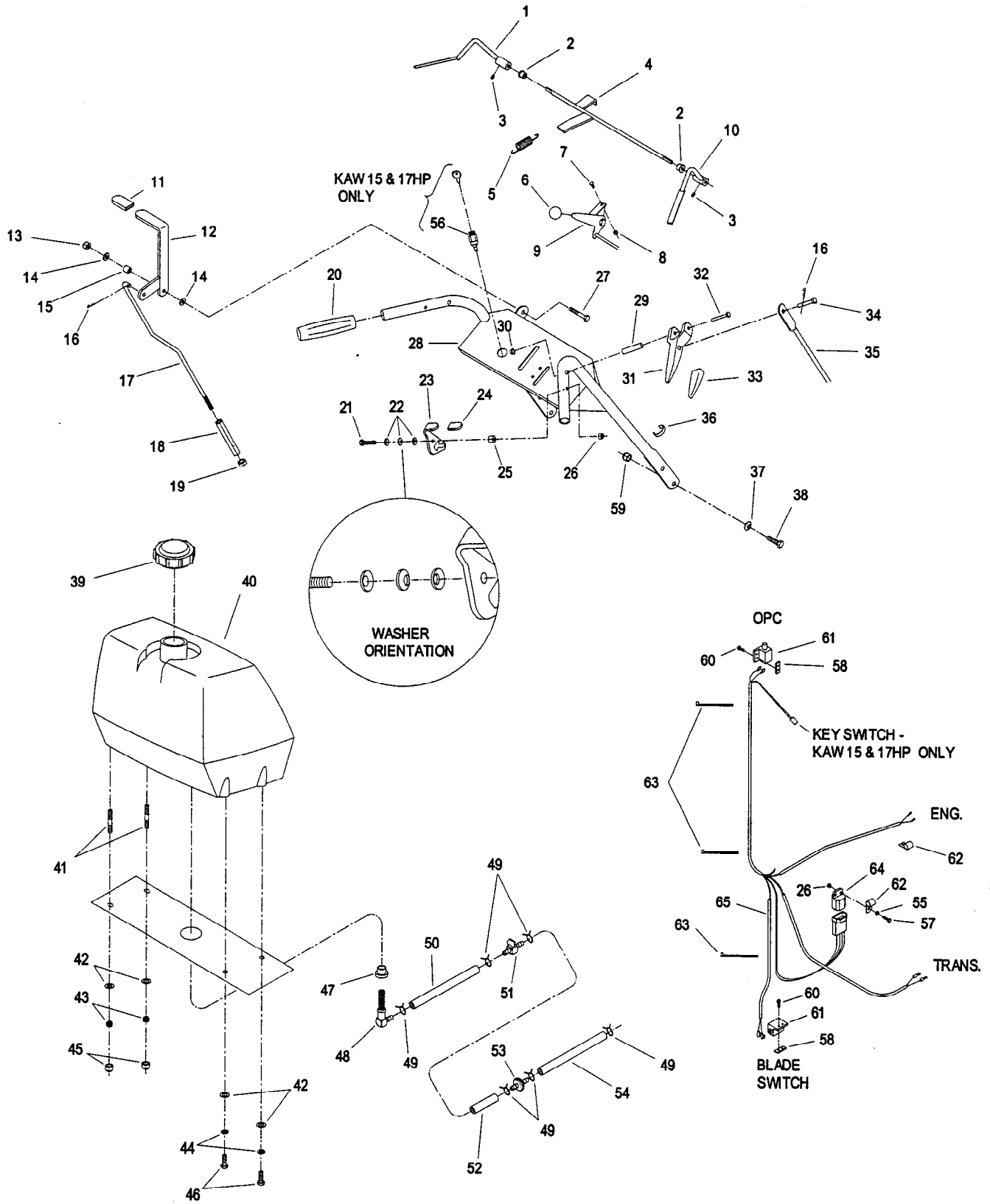


UPPER HANDLES and CONTROLS

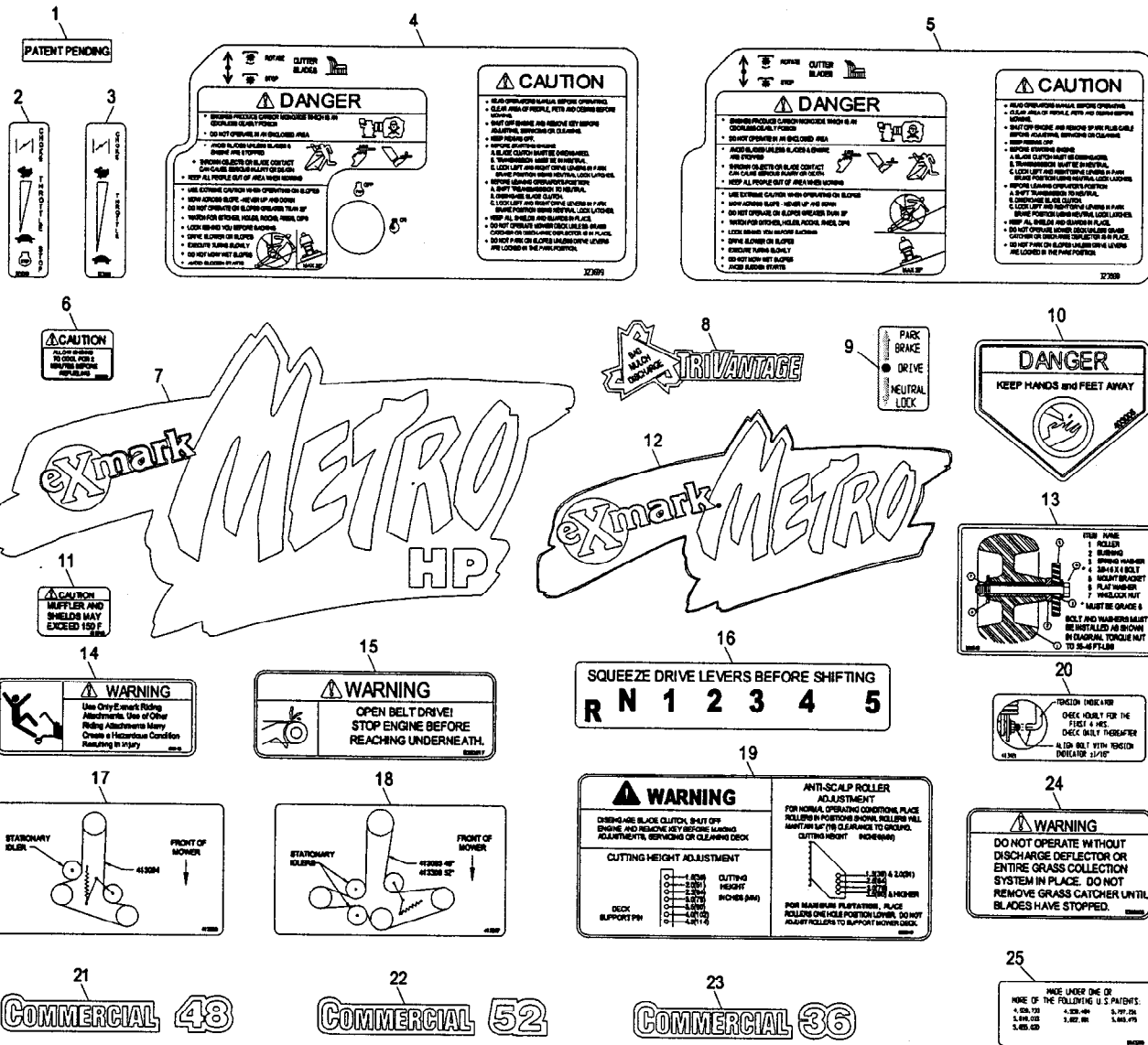
Ref. No.	Part No. Description	Qty. Req'd.	Ref. No.	Part No. Description	Qty. Req'd.
1	▽ 412183 Lever, Wldmt OPC LH	1	36	303088 Clip, Cable	1
2	303365 Bushing, Nylon	2	37	303327 Washer, Disc Spring 3/8	4
3	◆ 803322 Screw, Set .312-24x.312	2	38	800292 Screw, Hex Cap 3/8-16x1	4
4	322192 Rod Weldmt, OPC	1	39	513508 Cap, Fuel Tank	1
5	303363 Spring, Actuator	1	40	413179 Tank, Fuel Intermediate	1
6	513592 Knob, Ball Red	1	41	▽ 633023 Stud	2
7	807513 Bolt, Carriage #10-24x1/2 G2	2	42	805257 Washer, Flat SAE 5/16	4
8	804252 Nut, Nyloc #10-24	2	43	633349 Spring, Fuel tank	2
9	323129 Cable, Throttle Control (Koh)	1	44	805005 Washer, Lock Hlcl Spg 5/16 Hvy	2
	413428 Cable, Throttle Control (17&15 Kaw)	1	45	804267 Nut, Nyloc 5/16-18	2
10	▽ 412185 Lever, Wldmt OPC RH	1	46	800271 Screw, Hex Cap 5/16-18x3/4	2
11	303020 Grip, Lever	1	47	513645 Bushing, Fuel Valve	1
12	414234 Clutch Lever w/Grip	1	48	543277 Elbow w/Screen	1
13	804257 Nut, Nyloc 3/8-16	1	49	303077 Clamp, Fuel line (17&15 Kaw)	4
14	805260 Washer, Flat Std 3/8	2		303077 Clamp, Fuel line (Koh)	6
15	413088 Spacer	1	50	603955 Hose, Fuel line 6"	1
16	806003 Pin, Hair Cotter .0585 #2	3	51	603770 Valve, Fuel	1
17	413293 Linkage, Upper	1	52	603776 Hose, Fuel line 2.5" (Koh)	1
18	413279 Turnbuckle, 3/8-16 SS	1		303022 Hose, Fuel line 12" (17&15 Kaw)	1
19	804507 Nut, Reg Hex 3/8-16	1	53	303197 Filter, Fuel	1
20	303097 Grip, Handle	2		15&17 Kawasaki PN 41019-1055 w/6" fuel lin	1
21	800259 Screw, Hex Cap 1/4-20x2 1/4	2	54	603954 Hose, Fuel line 13.75" (Koh)	1
22	303435 Washer, Disc Spring 1/4	6	55	805256 Washer, Flat Std 1/4	1
23	324279 Latch, thumb LH w/grip	1	56	403121 Switch, On/Off (17&15hp Kaw)	1
	324280 Latch, thumb RH w/grip	1		603511 Key, Ignition	1
24	303019 Grip, Latch	2	57	800252 Screw, Hex Cap 1/4-20x3/4	1
25	323549 Spacer	2	58	633181 Plate, Tapped	2
26	804255 Nut, Nyloc 1/4-20	3	59	809007 Nut, Whizlock 3/8-16	4
27	800295 Screw, Hex Cap 3/8-16x1-3/4	1	60	803028 Screw, Mach CRPH 10-24x5/8	4
28	412449 Handle Wldmt	1	61	513051 Switch, Neutral Lockout	2
29	806340 Pin, Roll 5/16x1	2	62	323229 Clip, 3/8 Loom	2
30	803001 Nut, Pal 3/16	2	63	303287 Tie, Plastic	4
31	302006 Lever, Drive w/grip	2	64	323430 Module, Wiring Harness	1
32	808250 Pin, Clevis 3/16x1 3/4	2	65	◆ 413357 Harness, Wiring (Koh)	1
33	303021 Grip, Drive Lever	1		◆ 413455 Harness, Wiring (17&15hp Kaw)	1
34	808286 Pin, Clevis 5/16x1 7/8	2			
35	413338 Linkage, Drive Wheel	2			

- ◆ Use Pro-lock nut type, Part No. 840022 (.5ml tube) on setscrew threads
 - ▽ Use Pro-lock retaining type, Part No. 840023 (.5ml tube) on inside of bore of OPC hub and on fuel tank stud
 - Use dielectric grease on all electrical connectors.
- Exmark black touch spray paint - Gloss black

UPPER HANDLES and CONTROLS



DECALS



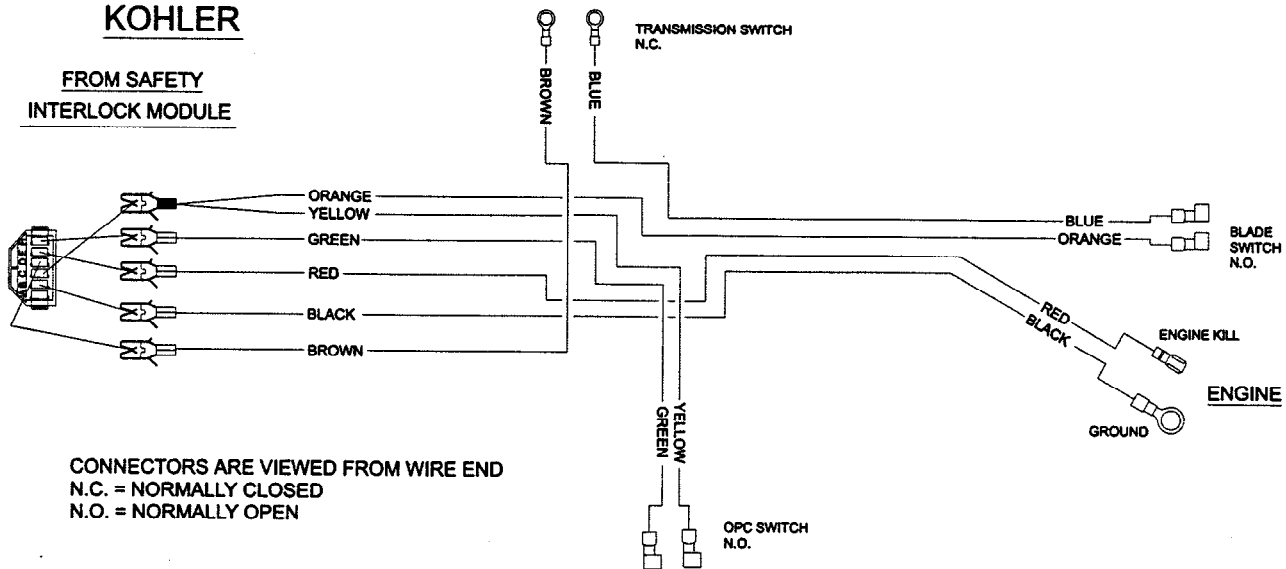
Ref. No.	Part No.	Description	Qty. Req'd.
1	373066	Decal, Patent Pending	1
2	323689	Decal, Throttle/Choke (Koh)	1
3	323691	Decal, Throttle (17&15hp Kaw)	1
4	323699	Decal, Console (17&15hp Kaw)	1
5	323688	Decal, Console (Koh)	1
6	303293	Decal, 2 Min Cool	1
7	413371	Decal, MHP-swash	1
8	303520	Decal, Trivantage	1
9	323550	Decal, Neutral/P.Brake	2
10	403005	Decal, Danger (36)	1
	403005	Decal, Danger (48" & 52")	2
11	513746	Decal, Muffler	2
12	323312	Decal, Sm Metro Console	1
13	323540	Decal, Roller Mounting	1

Ref. No.	Part No.	Description	Qty. Req'd.
14	403143	Decal, Sulky Warning	1
15	303517	Decal, Belt Drive	1
16	303518	Decal, Shifter	1
17	413206	Decal, Belt Routing (36")	1
18	413327	Decal, Belt Routing (48" & 52")	1
19	553049	Decal, Mower deck	1
20	413421	Decal, Indicator	1
21	403131	Decal, Commercial 48	1
22	403132	Decal, Commercial 52	1
23	323411	Decal, Commercial 36	1
24	303508	Decal, Discharge Warning	1
	414395	Decal Kit	1
25	643289	Decal, Patent No.	1

WIRING DIAGRAMS

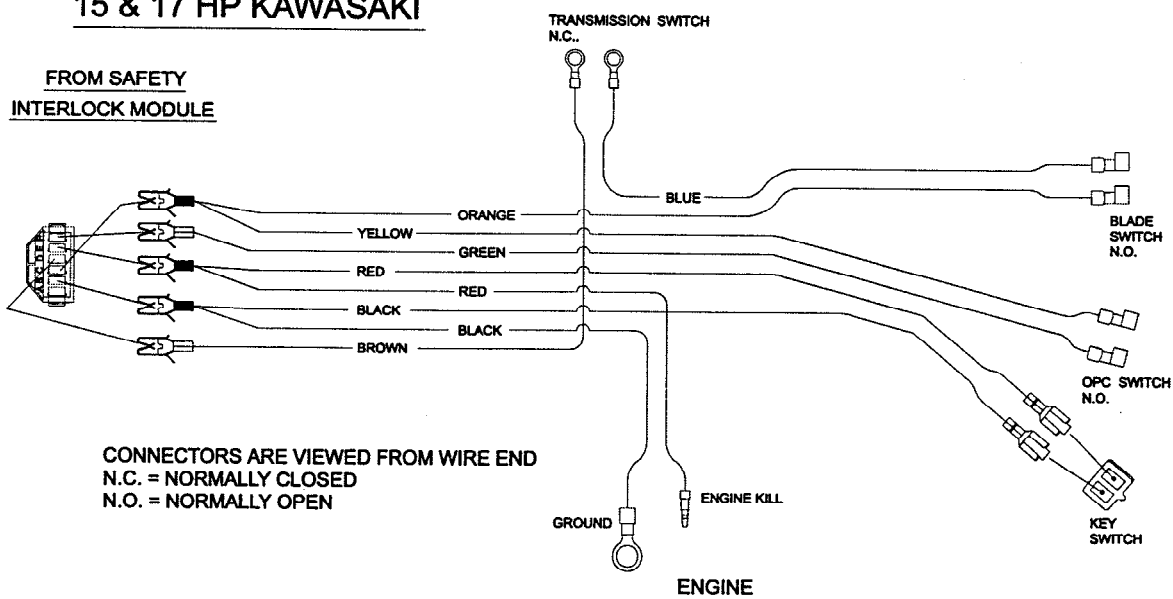
KOHLER

FROM SAFETY INTERLOCK MODULE



15 & 17 HP KAWASAKI

FROM SAFETY INTERLOCK MODULE



NOTES

**SEE EXMARK'S COMPLETE
LINE OF PRODUCTS FOR TURF CARE**

LAZER Z™

LAZER Z™ HP

EXPLORER®

TURF RANGER®

TURF TRACER®

TURF TRACER® HP

VIKING HYDRO

METRO™

METRO™ HP

SELF STEERING SULKY

GRASS CATCHER

MICRO-MULCH™ ACCESSORY

©1997,1998, 1999
EXMARK MFG. CO. INC.
INDUSTRIAL PARK BOX 808
BEATRICE, NE 68310
ALL RIGHTS RESERVED

PART NO. 850663
(402) 223-6300
FAX (402) 223-5489
PRINTED IN U.S.A.

