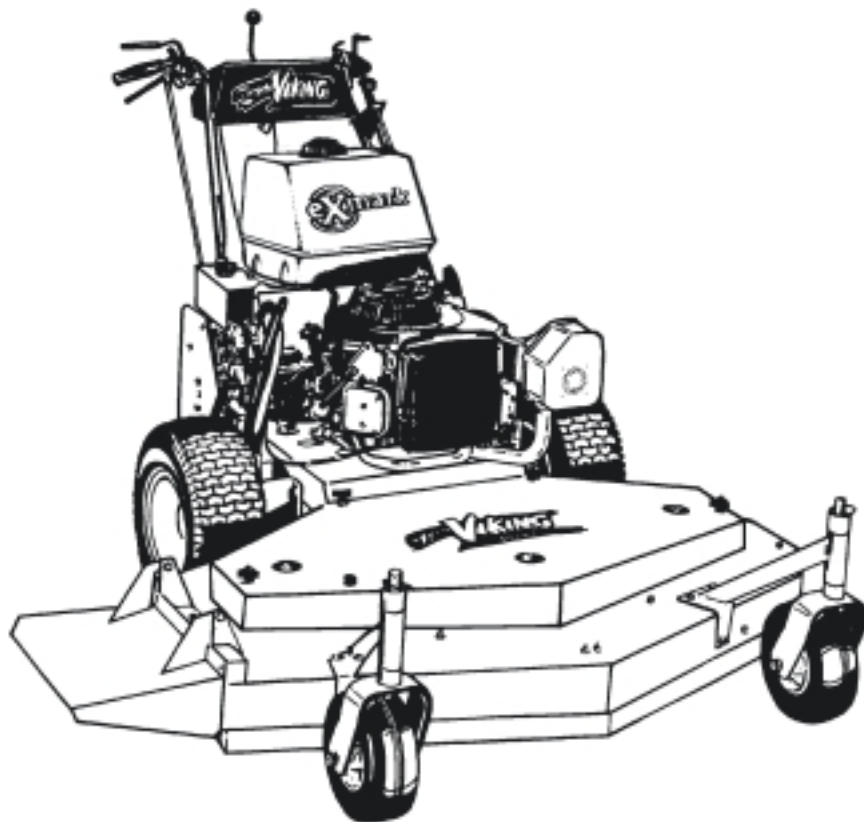


For Serial Nos.  
190,000 & Higher



PARTS MANUAL

# VIKING HYDRO

CONGRATULATIONS on the purchase of your new Exmark mower. This product has been carefully designed and manufactured to give you a maximum amount of dependability and years of trouble-free operation.

If additional information is needed, or should you require trained mechanic service, contact your authorized Exmark equipment dealer or distributor.

If you need to order replacement parts from your dealer, always give the model number and serial number of your mower as well as the part number, description and quantity of the part needed.

The Serial No. plate is located on top front engine frame on the right hand side of the machine.

For ease of ordering and reference, we suggest that you record the information requested in the following identification table.

Model No. \_\_\_\_\_

Serial No. \_\_\_\_\_

Engine Model No. \_\_\_\_\_

Engine Serial No. \_\_\_\_\_

Date Purchased \_\_\_\_\_

Paste Label From  
Literature Packet Here

## EXMARK PARTS PLUS® PROGRAM

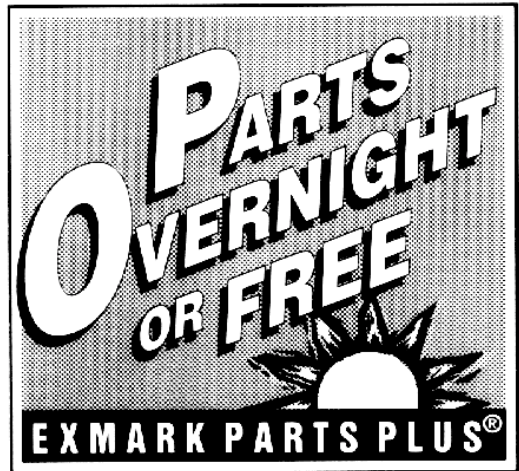
EFFECTIVE DATE: September 1, 1995

### Program

If your Exmark dealer does not have the Exmark part in stock, Exmark will get the parts to the dealer the next business day or the part will be FREE\* Guaranteed!!

### *How the Program Works*

1. If dealer does not have part in stock for a "down" unit at the time of request by customer, the dealer contacts his distributor by 1:00 p.m., local time, and requests Exmark Parts Plus® shipment of six (6) line items or less.
2. Distributor ships part(s) to dealer or customer, as requested by dealer, same day, overnight UPS. Distributor bills dealer for part and freight charges where applicable.
3. If distributor does not have the part(s) in stock to satisfy Exmark Parts Plus® order, he contacts Exmark by 3:00 p.m., central time, with an Exmark Parts Plus® order of six (6) line items or less.
4. If order is received by 3:00 p.m. central time, Exmark ships part(s) direct to dealer or customer, as requested by distributor, same day, overnight UPS. Exmark bills the distributor for parts and shipping charges, where applicable.
5. The customer pays for the part and freight if it is shipped under the Exmark Parts Plus® and if it arrives in accordance to the program.
6. Who pays for the part and freight if it fails to arrive overnight in accordance to the program?
  - A. Under any circumstance the customer does not pay.
  - B. If the part does not arrive overnight due to:
    1. The dealer not submitting the Exmark Parts Plus® order to his Exmark distributor by 1:00 p.m., the dealer pays for the part and freight.
    2. The Distributor being unable to ship the part the same day or not submitting the Exmark Parts Plus® order to Exmark by 3:00 p.m., central time, the Distributor pays for the part and freight.
    3. Exmark being unable to ship the part and the Exmark parts order is received by 3:00 p.m., central time, Exmark pays for the part and freight.
    4. If the part does not arrive overnight due to the shipper (UPS), the shipper pays for the freight and Exmark pays for the part.



**The following restrictions apply** -- The Exmark Parts Plus® Program is available only through participating Exmark Dealers and applies only to orders submitted on this program Monday through Thursday. UPS has initiated a Saturday delivery program to many areas of the continental United States and can be requested for an overnight shipment on Friday to be delivered Saturday. The next day air charge, plus the Saturday delivery fee will be the responsibility of the purchaser. Exmark Mfg. will assume no responsibility for Saturday delivery shipments. To qualify, all Exmark Parts Plus® orders must be received by Exmark by 3:00 p.m., central time. Orders must be six (6) line items or less. Exclusions from the Exmark Parts Plus® Program are: Any wholegood or accessory in its entirety, engines and engine replacement parts, 5-speed Peerless transmissions and 5-speed transaxles, hydraulic or hydrostatic wheel motors, cutter decks and engine decks or any item exceeding United Parcel Service size and weight restrictions.

Due to UPS restrictions, aerosol spray paint is considered a hazardous material and cannot be shipped via UPS next day or Second Day Air.

Exmark Manufacturing stocks a limited supply of parts for transaxles, pumps and wheel motors. These parts can be ordered for Next Day Air shipment but will not be guaranteed per the Parts Plus Program.



**READ OPERATOR'S MANUAL BEFORE  
OPERATING OR SERVICING EXMARK EQUIPMENT.**

**TABLE OF CONTENTS**

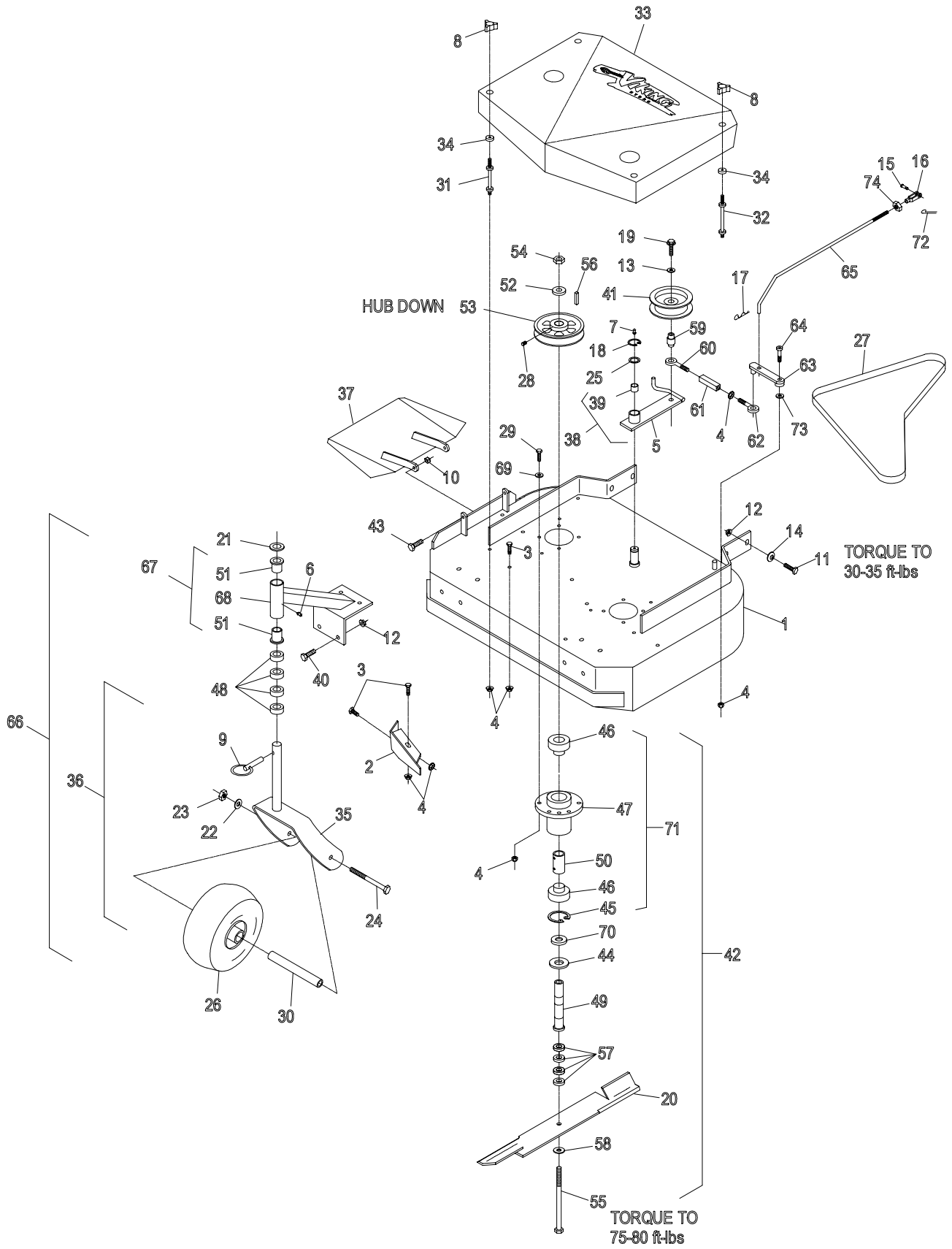
| <b><u>Description</u></b>      | <b><u>Page</u></b> |
|--------------------------------|--------------------|
| Decals.....                    | 12                 |
| Engine Deck Group.....         | 6-8                |
| 48" Mower Deck .....           | 4-5                |
| Hydraulics Group .....         | 11                 |
| 36" Mower Deck .....           | 2-3                |
| Upper Handles & Controls ..... | 9-10               |
| Wiring Diagrams .....          | 13                 |

36" MOWER DECK

| Ref. No. | Part No. | Description                          | Qty. Req'd. | Ref. No. | Part No. | Description                           | Qty. Req'd. |
|----------|----------|--------------------------------------|-------------|----------|----------|---------------------------------------|-------------|
| 1*       | 304253   | Front Deck w/decals & dogleg.....    | 1           | 34       | 323417   | Washer, belt cover mount .....        | 4           |
|          | 302232   | Deck weldmt (36") .....              | 1           | 35       | 322145   | Fork wldmnt, caster .....             | 2           |
| 2        | 302189   | Baffle wldmnt, dogleg .....          | 1           | 36       | 322154   | Caster wheel assembly.....            | 2           |
| 3        | 800270   | 5/16-18 x 5/8 HHCS .....             | 8           | 37       | 302233   | Chute .....                           | 1           |
| 4        | 809001   | 5/16-18 Whizlock nut.....            | 21          | 38       | 302129   | Engagement arm w/bushing... ..        | 1           |
| 5        | 302128   | Arm weldmt .....                     | 1           | 39       | 303144   | Powder metal bearing.....             | 1           |
| 6        | 811001   | Grease Zerk .....                    | 2           | 40       | 800290   | 3/8-16 x 3/4 HH capscrew .....        | 8           |
| 7        | 811006   | Zerk, 1/4-28 STRT.....               | 1           | 41       | 603843   | Idler pulley (heavy duty).....        | 1           |
| 8        | 323385   | Knob, belt cover .. ..               | 4           | 42▼      | 324265   | Cutter housing complete .....         | 2           |
| 9        | 809020   | Quick pin, 10" caster .....          | 2           | 43       | 800273   | 5/16-18 x 1 HH Capscrew .....         | 2           |
| 10       | 804256   | 5/16-18 Nyloc hex nut.....           | 2           | 44       | 633573   | Guard, Bottom .....                   | 2           |
| 11       | 800292   | 3/8-16 x 1 HH capscrew.....          | 6           | 45       | 808502   | Retaining ring.....                   | 2           |
| 12       | 809007   | 3/8-16 whizlock nut.....             | 14          | 46       | 513016   | Bearing .....                         | 4           |
| 13       | 805259   | 3/8 Flatwasher .....                 | 1           | 47       | 323532   | Cutter housing .....                  | 2           |
| 14       | 303327   | 3/8 Disc spring washer .....         | 6           | 48       | 303314   | Spacer, 10" Caster .....              | 8           |
| 15       | 808280   | 5/16 x 1 Clevis pin .....            | 1           | 49       | 323529   | Tube, Spindle.....                    | 2           |
| 16       | 303105   | Yoke .....                           | 1           | 50       | 323528   | Spacer .....                          | 2           |
| 17       | 806003   | Hairpin cotter .....                 | 1           | 51       | 303514   | Flange, Thrust Bearing .....          | 4           |
| 18       | 808505   | E-Ring for .875 rd. ....             | 1           | 52       | 323339   | Washer, retaining .....               | 2           |
| 19       | 803003   | 3/8-16 x 1 3/4 Whizlock bolt ..      | 1           | 53       | 303558   | Pulley, cast iron .....               | 2           |
| 20       | 633482   | Blade, notched air foil.....         | 2           | 54       | 804510   | 5/8-18 UNF hex nut .....              | 2           |
|          | 613251   | Blade, solid air foil .....          | 2           | 55       | 800861   | 5/8-18 x 8 HH Capscrew (Gr 5).....    | 2           |
| •        | 633484   | Blade, Mulching (36") .....          | 2           | 56       | 807267   | Key, 1/4 x 3/16 x 1 1/4 .....         | 2           |
|          | 633485   | Blade, Low Lift (36") .....          | 2           | 57       | 323539   | Spacer, blade drive.....              | 8           |
| 21       | 513338   | Washer, special.....                 | 2           | 58       | 513208   | 5/8 Spring disc washer .....          | 2           |
| 22       | 805008   | 1/2 spring lockwasher.....           | 2           | 59       | 303434   | Engagement bushing.....               | 1           |
| 23       | 804509   | 1/2-13 Hex nut.....                  | 2           | 60       | 303348   | Eye bolt (left hand thread) .....     | 1           |
| 24       | 800334   | 1/2-13 x 6 HH capscrew .....         | 2           | 61       | 303236   | Turnbuckle body .....                 | 1           |
| 25       | 303352   | Washer, spindle.....                 | 1           | 62       | 303238   | Eye bolt (right hand thread) .....    | 1           |
| 26       | 513648   | Wheel & tire, complete .....         | 2           | 63       | 322211   | Assist arm .. ..                      | 1           |
|          | 513807   | Wheel & hub.....                     | 1           | 64♦      | 809084   | 3/8 x 1 Shoulder bolt.....            | 1           |
|          | 513808   | Tire, 9 x 3.50-4 4-ply.....          | 1           | 65       | 323174   | Assist arm linkage .....              | 1           |
|          | 513809   | Roller bearing .....                 | 1           | 66       | 322153   | Caster/mount, complete .....          | 2           |
|          | 513810   | Bushing.....                         | 2           | 67       | 302203   | Caster wheel support w/bearings ..... | 2           |
| 27       | 323200   | Drive belt 36" Model .....           | 1           | 68       | 302194   | Caster wheel support wldmnt .....     | 2           |
| 28♦      | 803310   | Setscrew, 5/16-18 x 3/8.....         | 2           | 69       | 303334   | 5/16 Spring Disc Washer.....          | 8           |
| 29       | 800274   | 5/16-18 x 1 1/4 HH capscrew .        | 8           | 70       | 323533   | Spacer .....                          | 2           |
| 30       | 513547   | Spacer, front caster .....           | 2           | 71       | 634619   | Housing w/Brg, Spacer and Ring.....   | 2           |
| 31       | 303537   | Stud, belt shield (short).....       | 2           | 72       | 806753   | Cotter pin, 3/32 x 1/2 .....          | 1           |
| 32       | 303536   | Stud, belt shield (long).....        | 2           | 73       | 323626   | Washer, thrust.....                   | 1           |
| 33       | 302218   | Shield w/decals, 36" Vik hydro ..... | 1           | 74       | 804521   | 5/16-24 hex nut.....                  | 1           |
|          | 302213   | Shield weldmt, 36" Vik hydro .....   | 1           |          |          |                                       |             |

- ♦ Use Pro-lock Nut Type (p/n 840022 .5 ml tube) on shoulder bolt and setscrews
- Requires installation of Micro-Mulch accessory for proper mulching. Mulch kit P/N MK362(36")  
Exmark red touch up spray paint - P/N 850337
- ▼ Cutter housing complete includes sheave, washer and nut and does not include blade.
- \* Deck weldment does include welded in flow control baffles.

### 36" MOWER DECK

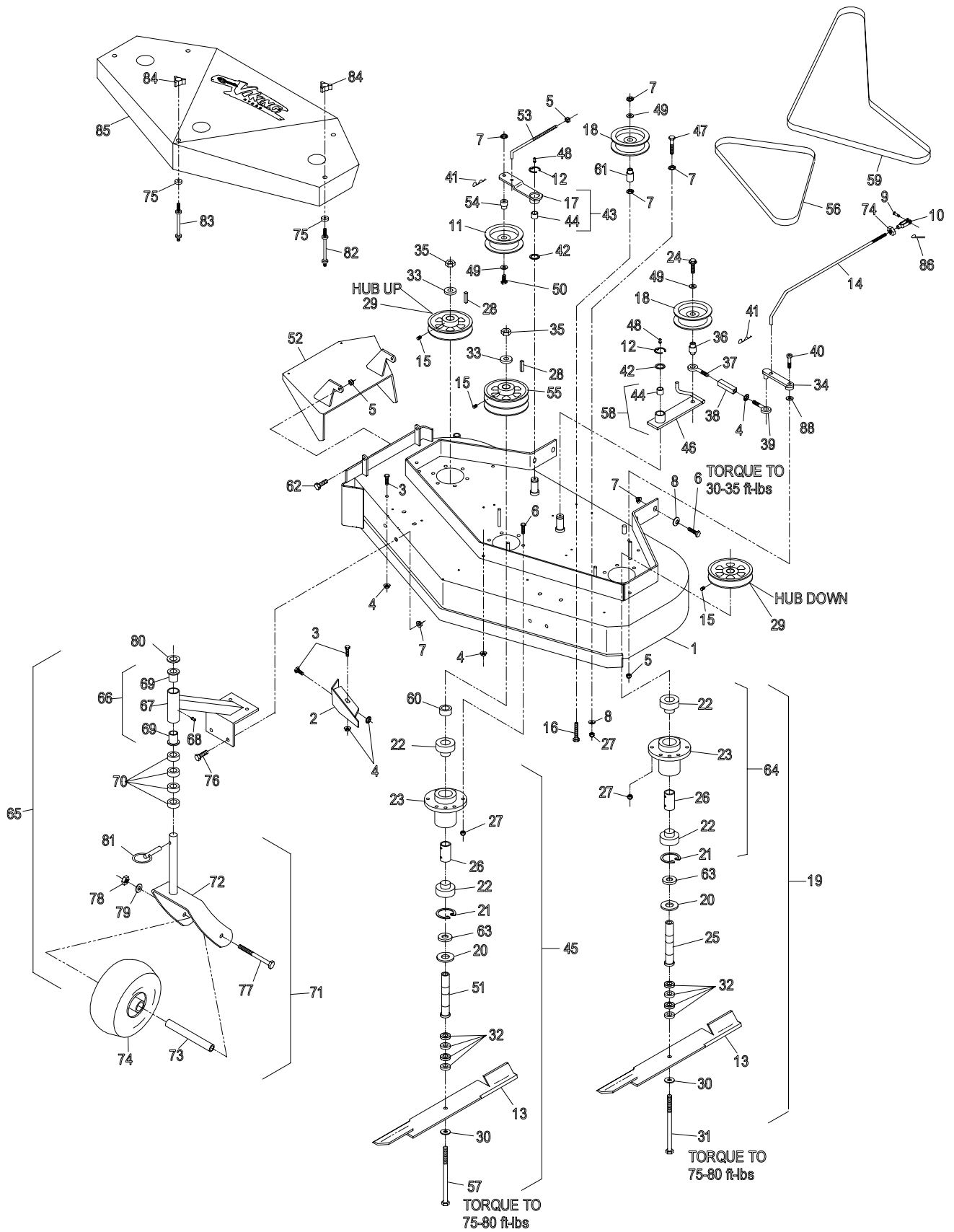


48" MOWER DECK

| Ref. No. | Part No. | Description                            | Qty. Req'd. | Ref. No. | Part No.                          | Description                          | Qty. Req'd. |
|----------|----------|----------------------------------------|-------------|----------|-----------------------------------|--------------------------------------|-------------|
| 1*       | 404239   | Front deck w/decals & dogleg (48").... | 1           | 46       | 302128                            | Arm weldmt .....                     | 1           |
| *        | 402099   | Deck Weldmt, (48") .....               | 1           | 47       | 800299                            | 3/8-16 x 2 3/4 HH Capscrew .....     | 1           |
| 2        | 402107   | Baffle, dogleg.....                    | 1           | 48       | 811006                            | Zerk 1/4-28 STRT .....               | 2           |
| 3        | 800270   | 5/16-18 x 5/8 HH capscrew .....        | 7           | 49       | 805259                            | 3/8 Flatwasher.....                  | 3           |
| 4        | 809001   | 5/16-18 Whizlock nut.....              | 13          | 50       | 800295                            | 3/8-16 X 1 3/4 HH capscrew .....     | 1           |
| 5        | 804256   | 5/16-18 Nylock hex nut.....            | 3           | 51       | 323530                            | Cutter spindle , center .....        | 1           |
| 6        | 800292   | 3/8-16 x 1 HH capscrew .....           | 24          | 52       | 402106                            | Chute.....                           | 1           |
| 7        | 809007   | 3/8-16 whizlock nut.....               | 18          | 53       | 403107                            | Belt tension rod .....               | 1           |
| 8        | 303327   | 3/8 disc spring washer .....           | 7           | 54       | 603496                            | Bushing, idler bearing .....         | 1           |
| 9        | 808280   | 5/16 x 1 Clevis pin .....              | 1           | 55       | 403167                            | Double pulley.....                   | 1           |
| 10       | 303105   | Yoke .....                             | 1           | 56       | 403025                            | V-Belt, front deck .....             | 1           |
| 11       | 403119   | Idler pulley "V" .....                 | 1           | 57       | 800862                            | 5/8-18 x 8 1/2 HH capscrew, Gr5..... | 1           |
| 12       | 808505   | E-Ring for .875 rd. ....               | 2           | 58       | 302129                            | Engagement arm w/bushing .....       | 1           |
| 13       | 323515   | Blade, notched air foil (48") .....    | 3           | 59       | 303499                            | Drive belt 48".....                  | 1           |
|          | 413438   | Blade, solid air foil (48").....       | 3           | 60       | 323538                            | Spacer, bearing (center sheave)..... | 1           |
| •        | 403148   | Blade, mulching (48") .....            | 3           | 61       | 543879                            | Bushing .....                        | 1           |
|          | 403149   | Blade, Low Lift (48") .....            | 3           | 62       | 800273                            | 5/16-18 x 1 HH Capscrew .....        | 2           |
| 14       | 323174   | Assist arm linkage .....               | 1           | 63       | 323533                            | Spacer .....                         | 3           |
| 15♦      | 803310   | Setscrew, 5/16-18 x 3/8.....           | 3           | 64       | 634619                            | housing w/Brg, Spacer and Ring.....  | 3           |
| 16       | 800029   | 3/8-16 x 2 1/4 HH Tapbolt .....        | 1           | 65       | 322153                            | Caster mount complete.....           | 3           |
| 17       | 402052   | Arm weldmt, RH .....                   | 1           | 66       | 302203                            | Support, w/bearings .....            | 2           |
| 18       | 603843   | Idler pulley .....                     | 1           | 67       | 302194                            | Support, caster wheel wldmnt.....    | 2           |
| 19▼      | 324265   | Cutter Housing (outer).....            | 2           | 68       | 811001                            | Zerk, 1/8 N.P.T.....                 | 2           |
| 20       | 633573   | Guard, Bottom .....                    | 3           | 69       | 303514                            | Flange, thrust bearing .....         | 2           |
| 21       | 808502   | Retaining ring .....                   | 3           | 70       | 303314                            | Spacer, 10" caster.....              | 8           |
| 22       | 513016   | Cutter housing bearing .....           | 6           | 71       | 322154                            | Wheel assembly (caster) .....        | 2           |
| 23       | 323532   | Cutter housing .....                   | 3           | 72       | 322145                            | Fork wldmnt, caster.....             | 2           |
| 24       | 803003   | 3/8 -16 x 1 3/4 . Whizlock Bolt.....   | 1           | 73       | 513547                            | Spacer, front caster.....            | 2           |
| 25       | 323529   | Cutter spindle Tube .....              | 2           | 74       | 513648                            | Wheel & tire, complete.....          | 2           |
| 26       | 323528   | Spacer .....                           | 3           | 513807   | Wheel & hub .....                 | 2                                    |             |
| 27       | 804257   | Nut, Nyloc 3/8-16.....                 | 18          | 513808   | Tire, 9 x 3.50-4 4-ply .....      | 2                                    |             |
| 28       | 807267   | Key, 1/4 x 3/16 x 1 1/4.....           | 3           | 513809   | Roller bearing.....               | 2                                    |             |
| 29       | 303558   | Pulley, cast iron .....                | 2           | 513810   | Bushing .....                     | 2                                    |             |
| 30       | 513208   | 5/8 Spring disc washer .....           | 3           | 75       | 323417                            | Washer, Belt Cover Mount.....        | 5           |
| 31       | 800861   | 5/8 -18 x 8 HH Capscrew .....          | 2           | 76       | 800290                            | Screw, 3/8-16 x 3/4 .....            | 8           |
| 32       | 323539   | Spacer, Blade Drive .....              | 12          | 77       | 800334                            | Screw, 1/2-13 x 6 .....              | 2           |
| 33       | 323339   | Washer, retainer (sheave).....         | 3           | 78       | 804509                            | Nut, 1/2-13 hex.....                 | 2           |
| 34       | 302198   | Assist Arm .....                       | 1           | 79       | 805008                            | Washer, 1/2 spring lock .....        | 2           |
| 35       | 804510   | 5/8-18 UNF hex nut .....               | 3           | 80       | 513338                            | Washer, special .....                | 2           |
| 36       | 303434   | Engagement bushing .....               | 1           | 81       | 809020                            | Quick pin, 10" caster .....          | 2           |
| 37       | 303348   | Eye bolt (left hand thread) .....      | 2           | 82       | 303537                            | Stud, belt shield(short) .....       | 2           |
| 38       | 303236   | Turnbuckle body.....                   | 1           | 83       | 303536                            | Stud, belt shield(long).....         | 3           |
| 39       | 303238   | Eye bolt (right hand thread) .....     | 1           | 84       | 323385                            | Knob, belt cover .....               | 5           |
| 40♦      | 809084   | 3/8 x 1 Shoulder bolt.....             | 1           | 85       | 404237                            | Shield w/decals 48" Vik Hydro .....  | 1           |
| 41       | 806003   | Hairpin cotter .....                   | 2           | 402100   | Shield weldmt 48" Vik Hydro ..... | 1                                    |             |
| 42       | 303352   | Washer, spindle.....                   | 2           | 86       | 806753                            | Cotter pin, 3/32 x 1/2.....          | 1           |
| 43       | 402053   | Idler arm, complete(w/bushing) .....   | 1           | 87       | 804521                            | Nut, 5/16-24 .....                   | 1           |
| 44       | 303144   | Powder metal bearing.....              | 2           | 88       | 323626                            | Washer, thrust.....                  | 1           |
| 45▼      | 324264   | Cutter hsg complete(center) .....      | 1           |          |                                   |                                      |             |

- ♦ Use Pro-lock Nut Type (p/n 840022 .5 ml tube) on the shoulder bolt and setscrews
- Requires installation of Micro-Mulch accessory for proper mulching. Mulch kit P/N MK48M3  
Exmark red touch up spray paint - P/N 850337
- \* Deck weldment does include welded in flow control baffles.
- ▼ Cutter housing complete includes sheave, washer and nut and does not include blades.

### 48" MOWER DECK

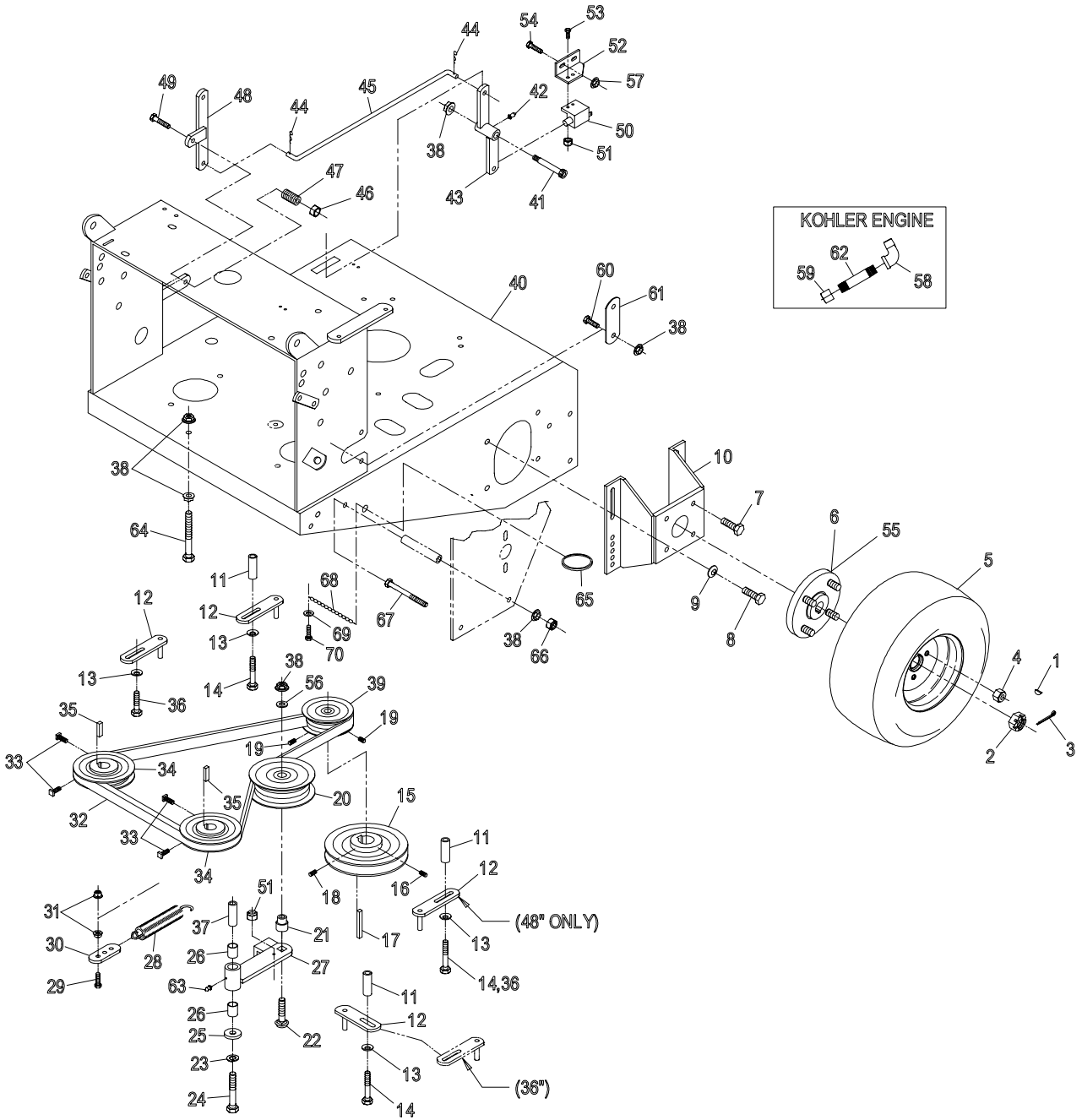


| Ref. No. | Part No. | Description                      | Qty. Req'd. | Ref. No. | Part No. | Description                       | Qty. Req'd. |
|----------|----------|----------------------------------|-------------|----------|----------|-----------------------------------|-------------|
| 1        | 807019   | Key, woodruff 1 x 1/4.....       | 2           | 33∇      | 803050   | Setscrew, 5/16-18 x 3/4 .....     | 4           |
| 2        | 803040   | Nut, slotted 3/4-16.....         | 2           | 34       | 603778   | Sheave - pump .....               | 2           |
| 3        | 806800   | Pin, cotter 9/64 x 1-1/2 .....   | 2           | 35       | 807272   | Key, 5mm sq. x 25mm.....          | 2           |
| 4        | 513011   | Nut, wheel 1/2-20 .....          | 8           | 36       | 809072   | Screw, 1.25 x 25mm                |             |
| 5        | 413473   | Tire & Wheel Assembly.....       | 2           |          | .....    | (36" Kaw)(48" Koh) .....          | 1           |
|          | 413474   | Tire 16 x 6.50-8.....            | 1           |          | .....    | (36"Kohler).....                  | 2           |
|          | 603715   | Wheel.....                       | 1           |          | 809018   | Screw, 1.25 x 30mm                |             |
| 6Σ       | 602997   | Hub, tapered (4 bolt)w/studs ... | 2           |          | .....    | (36"Kaw & 48"Kaw).....            | 1           |
| 7        | 803045   | Screw, whizloc 3/8-16 x 3/4..... | 8           | 37       | 603044   | Bushing - Idler pivot .....       | 1           |
| 8        | 800292   | Screw, 3/8-16 x 1 .....          | 8           | 38       | 809007   | 3/8-16 Whizlock Nut.....          | 5           |
| 9        | 303327   | Washer, 3/8 spring disc .....    | 8           | 39◇      | 403092   | Pulley, pump drive .....          | 1           |
| 10       | 322162   | Mount, motor (36") .....         | 2           | 40       | 322225   | Deck, engine wldmt .....          | 1           |
|          | 402062   | Mount, motor (48") .....         | 2           | 41       | 809062   | Bolt, .500 x 1.75 (shoulder)..... | 1           |
| 11       | 323228   | Spacer, belt guide(48").....     | 3           | 42       | 811008   | Zerk.....                         | 1           |
|          | 323228   | Spacer, belt guide(36").....     | 2           | 43       | 322108   | Bellcrank assy. w/zerk .....      | 1           |
| 12       | 322110   | Belt guide (36").....            | 3           |          | 322086   | Bellcrank weldmt.....             | 1           |
|          | 322110   | Belt guide (48").....            | 4           | 44       | 806003   | Hairpin.....                      | 2           |
| 13       | 303334   | Washer, 5/16 spring disc .....   | 4           | 45       | 323172   | Linkage, blade engagement ...     | 1           |
| 14       | 809065   | Screw, 1.25 x 75mm               |             | 46       | 804256   | Nut, nylock 5/16-18 .....         | 1           |
|          | .....    | (36" Kaw & Kohler).....          | 2           | 47       | 323245   | Spring, compression .....         | 1           |
|          | 809065   | Screw, 1.25 x 75mm               |             | 48       | 322090   | Bellcrank .....                   | 1           |
|          | .....    | (48" Kaw & Kohler).....          | 3           | 49       | 800277   | Screw, 5/16-18 x 2 .....          | 1           |
| 15Σ      | 403087   | Sheave, blade drive (48") .....  | 1           | 50       | 513051   | Switch, blade engagement.....     | 1           |
|          | 303498   | Sheave, blade drive (36") .....  | 1           | 51       | 804252   | Nut nylock 10-24.....             | 3           |
| 16∇      | 803046   | Setscrew, 5/16-18 x 1 .....      | 1           | 52       | 323213   | Bracket, switch.....              | 1           |
| 17       | 807264   | Key, 1/4 sq. x 2-5/8 .....       | 1           | 53       | 803028   | Screw, 10-24 x 5/8 .....          | 2           |
| 18∇      | 803050   | Setscrew, 5/16-18 x 3/4 .....    | 1           | 54       | 800251   | Screw, 1/4-20 x 5/8 .....         | 2           |
| 19∇      | 803310   | Setscrew, 5/16-18 x 3/8 .....    | 2           | 55       | 613150   | Stud, hub 1/2-20 .....            | 8           |
| 20       | 603843   | Idler, pulley .....              | 1           | 56       | 805259   | Washer, 5/16(SAE).....            | 1           |
| 21       | 603496   | Bushing, idler.....              | 1           | 57       | 809012   | Nut, whizlock 1/4-20.....         | 2           |
| 22       | 807517   | Screw, 3/8-16 x 1-3/4 .....      | 1           | 58◆      | 303431   | Elbow St. 3/8 NPT brass (Koh)     | 1           |
| 23       | 805006   | Lockwasher, 3/8.....             | 1           | 59◆      | 543233   | Cap, 3/8 NPT (Koh) .....          | 1           |
| 24       | 800298   | Screw, 3/8-16 x 2-1/2 .....      | 1           | 60       | 800290   | Screw, 3/8-16 x 3/4 .....         | 2           |
| 25       | 373034   | Washer, swivel.....              | 1           | 61       | 633068   | Arm .....                         | 1           |
| 26       | 513034   | Bearing, pivot .....             | 2           | 62◆      | 323326   | Nipple, 3 3/8 NPT (Kohler).....   | 1           |
| 27       | 602521   | Arm, assy idler (w/bearings).... | 1           | 63       | 811006   | Zerk, 1/4-28 STRT .....           | 1           |
|          | 602458   | Arm, assy idler (w/o bearings).  | 1           | 64       | 800297   | Screw, 3/8-16 x 4.....            | 1           |
| 28       | 603402   | Spring, extension .....          | 1           | 65       | 323366   | Split ring .....                  | 1           |
| 29       | 800273   | Screw, 5/16-18 x 1 .....         | 1           | 66       | 804257   | Nut, 3/8-16 nylock .....          | 1           |
| 30       | 603801   | Anchor, spring .....             | 1           | 67       | 800303   | Screw, 3/8-16 x 4 1/2.....        | 1           |
| 31       | 809001   | Nut, whizlock 5/16-18.....       | 2           | 68       | 323365   | Chain, twist link .....           | 1           |
| 32       | 323225   | Belt, pump drive .....           | 1           | 69       | 805252   | Washer, #10 .....                 | 1           |
|          |          |                                  |             | 70       | 809069   | Screw, 10-24 x 7/8HxSkHd....      | 1           |

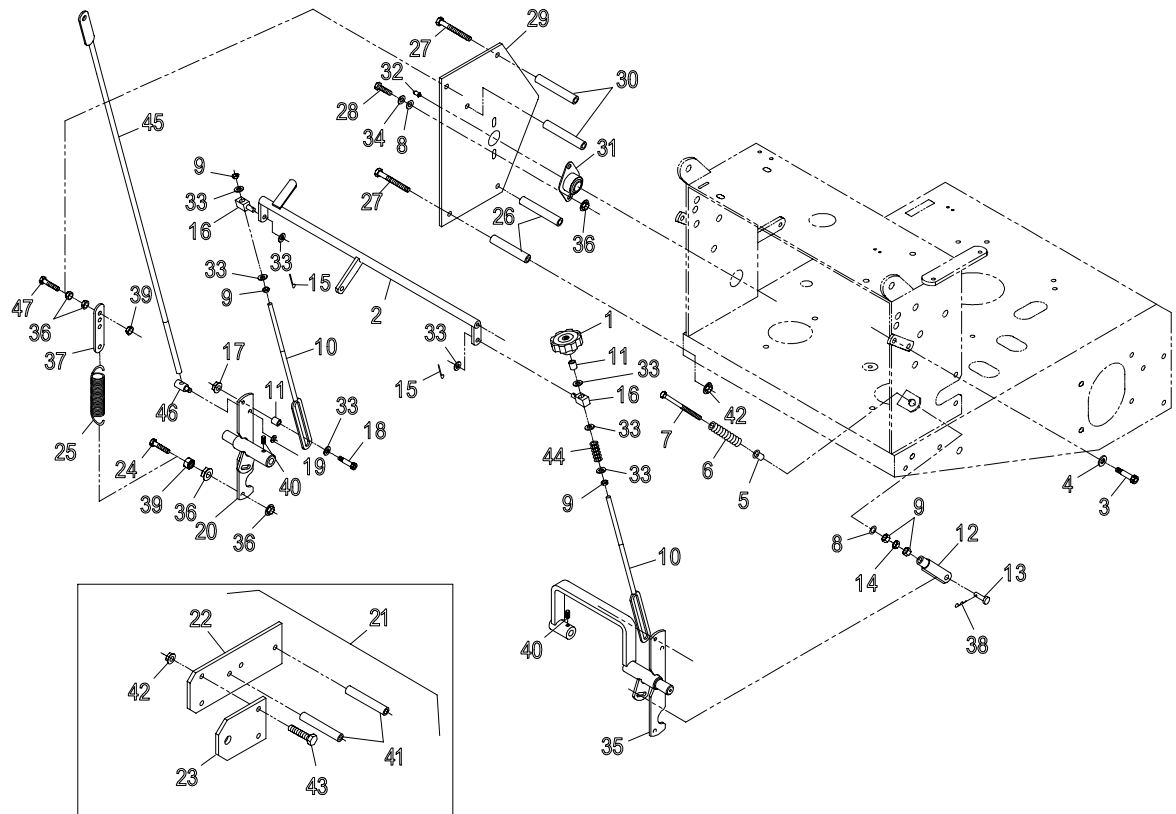
- Σ Use anti-seize compound on pulley bore and on tapered bore of hub.
- ∇ Use Pro-Lock (nut type, Part no. 840022, 5 ml tube) on setscrew threads.
- ◆ Use a Teflon pipe sealant of equivalent on threads.  
Exmark red touch up spray paint - P/N 850337
- ◇ Use Pro-Lock (retaining type, Part no. 840023, .5cc tube) on pulley.



### ENGINE DECK GROUP



**DECALS**



| Ref. No. | Part No. | Description                        | Qty. Req'd. | Ref. No. | Part No. | Description                    | Qty. Req'd. |
|----------|----------|------------------------------------|-------------|----------|----------|--------------------------------|-------------|
| 1        | 413151   | Knob, tracking .....               | 1           | 24       | 800274   | Screw, 5/16-18 x 1-1/4 .....   | 2           |
| 2        | 412203   | Crank weldmt .....                 | 1           | 25       | 603693   | Spring, extension .....        | 2           |
| 3*       | 809056   | Bolt, .375 x .375 (shoulder) ..... | 2           | 26       | 323197   | Spacer, short.....             | 4           |
| 4        | 805259   | Washer, 3/8 (sae) .....            | 2           | 27       | 800302   | Screw, 3/8-16 x 4 .....        | 7           |
| 5        | 603735   | Bushing, nylon flanged .....       | 2           | 28       | 800271   | 5/16-18 x 3/4 .....            | 4           |
| 6        | 603807   | Spring, neutral return.....        | 2           | 29       | 413201   | Shield, hydro control.....     | 2           |
| 7        | 603737   | Bolt, neutral return.....          | 2           | 30       | 323195   | Spacer, long .....             | 4           |
| 8        | 805256   | Washer, 1/4(std) .....             | 6           | 31       | 633102   | Bearing, flange .....          | 2           |
| 9        | 804521   | Nut, 5/16-24.....                  | 7           | 32       | 811006   | Zerk, 1/4-28.....              | 2           |
| 10       | 413350   | Rod, control arm .....             | 2           | 33       | 805257   | Washer, 5/16 (SAE).....        | 9           |
| 11       | 603903   | Spacer.....                        | 3           | 34       | 805005   | Lockwasher, 5/16 (heavy) ..... | 4           |
| 12       | 303105   | Yoke, adjustable.....              | 2           | 35       | 412270   | Arm weldmt, RH .....           | 1           |
| 13       | 808280   | Pin, clevis 5/16-1 .....           | 2           | 36       | 809001   | Nut, whizlock 5/16 .....       | 12          |
| 14       | 804758   | Nut, jam 5/16-24.....              | 2           | 37       | 613089   | Anchor, spring .....           | 2           |
| 15       | 806753   | Pin, cotter 3/32 x 1/2 .....       | 2           | 38       | 806003   | Hairpin.....                   | 2           |
| 16       | 603676   | Swivel .....                       | 2           | 39       | 804256   | Nut, nylock 5/16-18 .....      | 4           |
| 17       | 809012   | Nut, 1/4-20 whizlock .....         | 2           | 40*      | 803022   | Setscrew, 5/16-18 x 5/8 .....  | 2           |
| 18*      | 809057   | Bolt, .312 x .750 (shoulder) ..... | 2           | 41       | 323240   | Spacer, shield .....           | 4           |
| 19       | 808520   | Klipring .....                     | 2           | 42       | 809007   | Nut, whizlock 3/8-16.....      | 13          |
| 20       | 412272   | Arm weldmt, left hand .....        | 1           | 43       | 800292   | Screw, 3/8-16 x 1 .....        | 4           |
| 21       | 301022   | Sulky hitch kit, (Vik Hydro) ..... | 1           | 44       | 323245   | Spring.....                    | 1           |
| 22       | 373036   | Mount, hitch.....                  | 1           | 45       | 413219   | Linkage, drive.....            | 2           |
| 23       | 323238   | Bracket, hitch adapter .....       | 2           | 46       | 413227   | Swivel, drive lever .....      | 2           |
|          |          |                                    |             | 47       | 800016   | Tapbolt, 5/16-18 x 1 1/4 ..... | 2           |

\* Use Pro-Lock nut type, Part No. 840022 (.5 ml tube) on shoulder bolts & setscrew threads.

Exmark red touch up spray paint - PN 850337

**UPPER HANDLE and CONTROLS**

| Ref. No. | Part No. | Description                       | Qty. Req'd. | Ref. No. | Part No. | Description                      | Qty. Req'd. |
|----------|----------|-----------------------------------|-------------|----------|----------|----------------------------------|-------------|
| 1        | 322226   | Handle weldment .....             | 1           | 38       | 603776   | Fuel line, 2.5" (Kaw & Kohler) . | 1           |
| 2        | 303097   | Grip, handle.....                 | 2           | 39       | 303197   | Filter, gas .....                | 1           |
| 3        | 612168   | Latch, thumb w/grip (RH) .....    | 1           | 40       | 603954   | Gas line, 13.75" (Kohler).....   | 1           |
| f        | 612167   | Latch, thumb w/grip (LH).....     | 1           |          | 303471   | Gas line, 12.0" (Kaw) .....      | 1           |
| 4        | 303019   | Grip, latch.....                  | 2           | 41       | 413179   | Tank, gas .....                  | 1           |
| 5        | 303435   | Washer, 1/4 spring disc .....     | 6           | 42       | 513508   | Cap, gas.....                    | 1           |
| 6        | 800257   | Screw, 1/4-20 x 1-3/4 .....       | 2           | 43       | 543296   | Grommet.....                     | 1           |
| f        | 412159   | Lever, drive (LH) .....           | 1           | 44       | 323430   | Module, Interlock .....          | 1           |
| 7        | 412161   | Lever, drive (RH).....            | 1           | 45       | 800251   | Screw, ¼-20 x 5/8.....           | 3           |
| 8        | 603749   | Bushing, drive lever.....         | 2           | 46       | 303287   | Tie, plastic 5 1/2" (Kaw) .....  | 5           |
| 9        | 806003   | Hairpin.....                      | 5           | 47       | 303335   | Tie, plastic 7 5/16" .....       | 2           |
| 10       | 809012   | Nut, whizlock 1/4-20.....         | 5           | 48       | 323518   | Harness wiring (Kawasaki) .....  | 1           |
| 11       | 807513   | Screw, #10-24 x ½ carriage ....   | 2           |          | 323519   | Harness wiring (Kohler) .....    | 1           |
| 12       | 800256   | Screw, 1/4-20 x 1-1/2 .....       | 2           | 49♦      | 803322   | Setscrew, 5/16-24 x 5/16.....    | 2           |
| 13       | 633349   | Spring, fuel tank .....           | 2           | 50▽      | 412185   | Lever, OPC (RH) .....            | 1           |
| 14▽      | 633023   | Stud, fuel tank .....             | 2           | 51       | 303365   | Bushing, nylon .....             | 2           |
| 15       | 613055   | Pin, clevis .....                 | 2           | 52       | 322192   | Rod weldmt, connecting .....     | 1           |
| 16       | 413152   | Bearing.....                      | 4           | 53       | 800271   | Screw, 5/16-18 x 3/4.....        | 2           |
| 17       | 513051   | Switch.....                       | 2           | 54▽      | 412183   | Lever, OPC (LH).....             | 1           |
| 18       | 633181   | Plate, tapped .....               | 1           | 55       | 603727   | Clip, .56 Loom.....              | 1           |
| 19       | 303363   | Spring, actuator.....             | 1           | 56       | 804252   | Nut, nylock #10-24 .....         | 2           |
| 20       | 323134   | Knob, (push/pull) .....           | 1           | 57♦      | 603175   | Knob, 1-3/8 .....                | 1           |
| 21       | 804751   | Nut, jam 5/16-18.....             | 1           | 58       | 804256   | Nut, nylock 5/16-18.....         | 4           |
| 22       | 323143   | Bushing, nylon .38 I.D. ....      | 1           | 59       | 323245   | Spring, compression .....        | 2           |
| 23       | 323142   | Push Nut (.50 shaft) .....        | 1           | 60       | 602733   | Lever, shift .....               | 1           |
| 24       | 804255   | Nut, nylock 1/4-20 .....          | 3           | 61       | 805257   | Washer, 5/16 SAE .....           | 5           |
| 25       | 323181   | Linkage, blade push/pull .....    | 1           | 62       | 323244   | Washer, friction.....            | 2           |
| 26       | 800292   | Screw, 3/8-16 x 1 .....           | 4           | 63       | 603730   | Plate, shift lever .....         | 1           |
| 27       | 303327   | Washer, 3/8 spring disc .....     | 4           | 64       | 603716   | Washer, friction.....            | 1           |
| 28       | 323229   | Clip, loom 3/8" (Kaw).....        | 1           | 65       | 800277   | Screw, 5/16-18 x 2.....          | 2           |
| 29       | 805256   | Washer 1/4" std flat.....         | 3           | 66       | 323522   | Rod, speed control.....          | 1           |
| 30       | 303308   | Clamp, gas line (Kawasaki).....   | 1           | 67       | 804758   | Nut, jam 5/16-24 .....           | 1           |
| 31       | 809007   | Nut, whizlock 3/8-16.....         | 4           | 68       | 808280   | Pin, clevis.....                 | 1           |
| 32       | 804002   | Nut, Sq Reg 10-24 .....           | 2           | 69       | 303105   | Yoke, adjustable .....           | 1           |
| 33       | 513645   | Bushing, fuel valve .....         | 1           | 70       | 513592   | Knob, red ball.....              | 1           |
| 34       | 543277   | Elbow, fuel tank.....             | 1           | 71       | 323129   | Cable, throttle (Kaw & Kohler)   | 1           |
| 35       | 303077   | Clamp, gas line (Kohler).....     | 6           | 72       | 800252   | Screw, 1/4-20 x 3/4.....         | 1           |
|          | 303077   | Clamp, gas line (Kawasaki).....   | 5           | 73       | 805005   | Washer, 5/16 lock.....           | 2           |
| 36       | 603955   | Fuel line, 6" (Kaw & Kohler) .... | 1           | 74       | 803028   | Screw, #10-24 x 5/8 .....        | 4           |
| 37       | 603770   | Valve, gas.....                   | 1           |          |          |                                  |             |

f Not Illustrated.

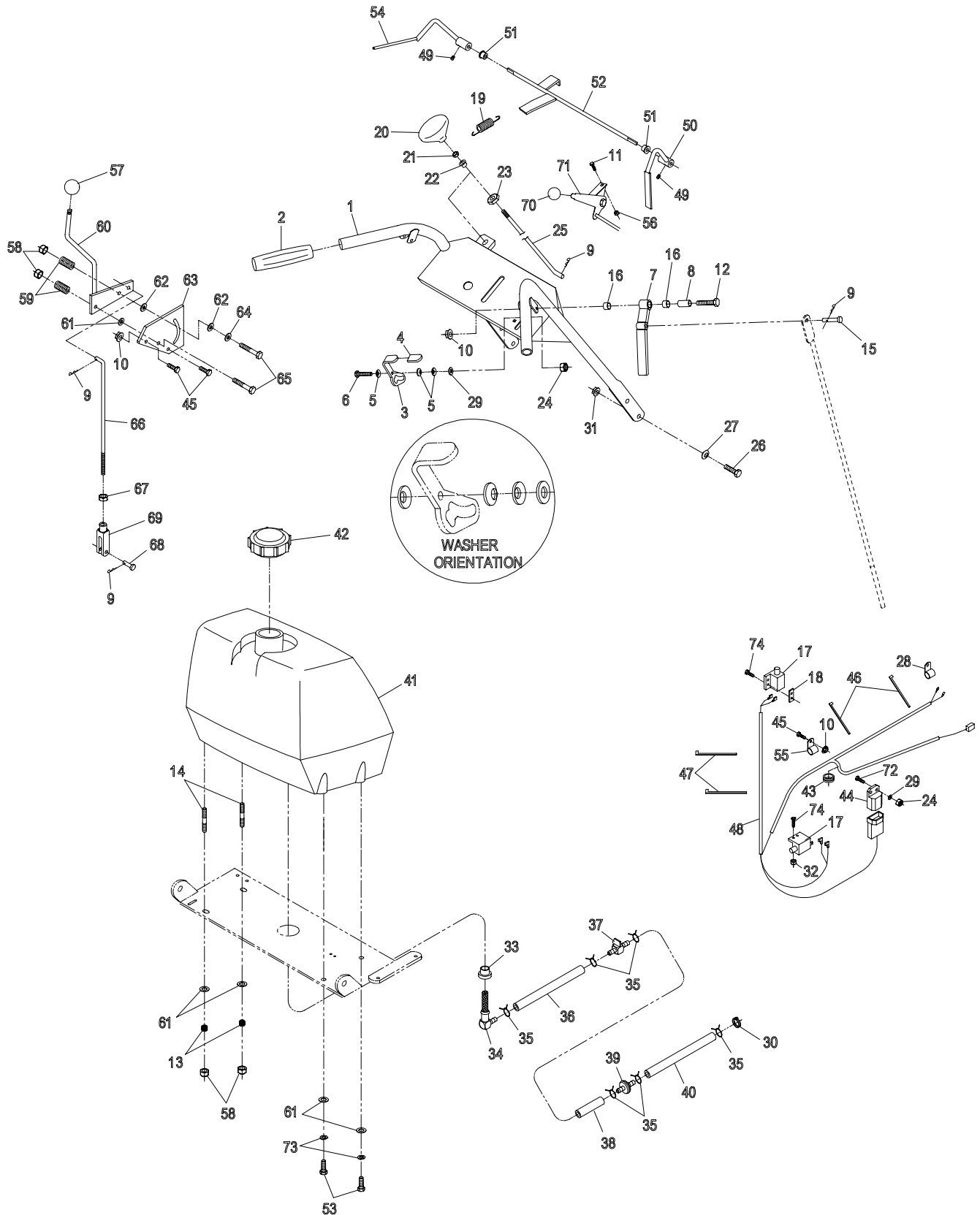
♦ Use Pro-Lock ,nut type (Part no. 840022 on setscrew threads and on shifter knob threads.

▽ Use Pro-lock, retaining type (Part no. 840023 .5cc tube) on inside bore of OPC hub and on fuel tank studs.

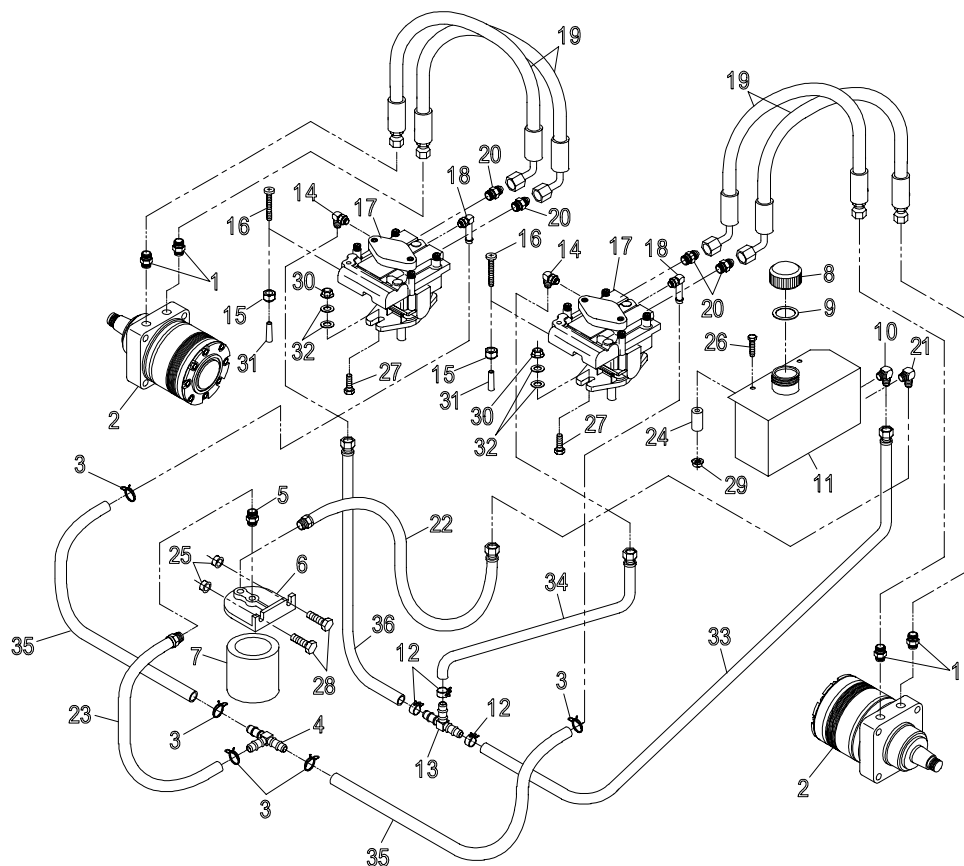
Apply dielectric grease on all electrical connectors.

Exmark black touch up spray paint - Gloss black

### UPPER HANDLE and CONTROLS



### HYDRAULICS GROUP

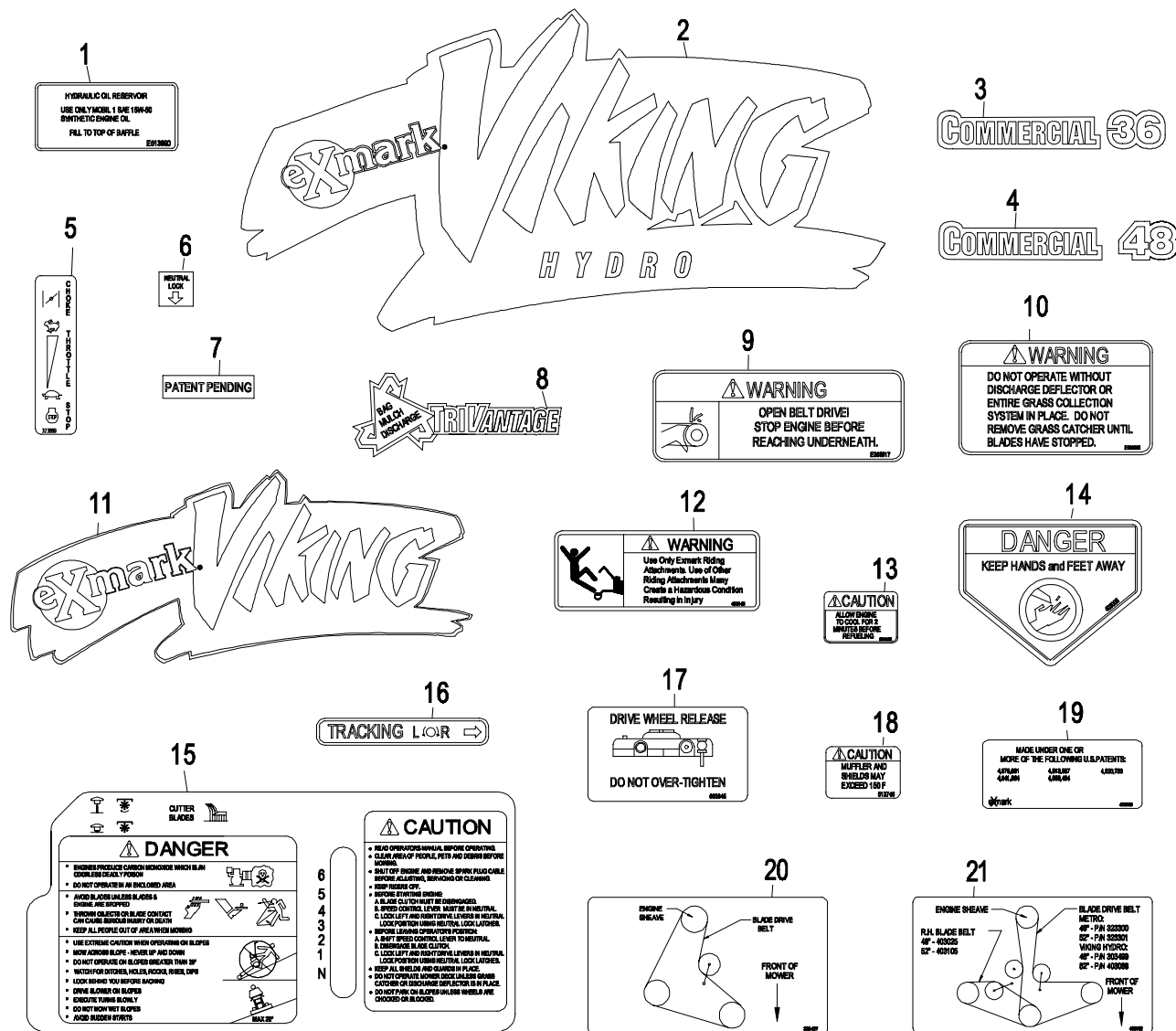


| Ref. No. | Part No. | Description                      | Qty. Req'd. | Ref. No. | Part No. | Description                   | Qty. Req'd. |
|----------|----------|----------------------------------|-------------|----------|----------|-------------------------------|-------------|
| 1        | 603991   | Fitting, straight connector..... | 4           | 17       | 613042   | Pump, hydro.....              | 2           |
|          | 603919   | Boss O-Ring.....                 | 1           | 18       | 603989   | Elbow, 90°.....               | 2           |
|          | 603992   | Flare O-Ring.....                | 1           |          | 603923   | O-Ring.....                   | 1           |
| 2        | 603718   | Wheel motor.....                 | 2           | 19       | 403102   | Hose, high pressure.....      | 4           |
|          | 000138   | Kit, Bearing.....                | 1           | 20       | 603990   | Adapter, straight thread..... | 4           |
|          | 000119   | Kit, seal.....                   | 1           |          | 603920   | Boss O-Ring.....              | 1           |
| 3        | 603827   | Clamp, hose (5/8).....           | 5           |          | 603992   | Flare O-Ring.....             | 1           |
| 4        | 603721   | Fitting, Hose Tee (3/8 I.D hose) | 1           | 21       | 603988   | Elbow, 90°.....               | 1           |
| 5        | 513510   | Connector, male.....             | 1           | 22       | 602985   | Hose, supply.....             | 1           |
| 6*       | 603720   | Head, filter.....                | 1           | 23       | 602754   | Hose, charge line.....        | 1           |
| 7        | 513211   | Element, oil filter.....         | 1           | 24       | 323218   | Spacer, hydraulic tank.....   | 2           |
| ∇        | 523541   | Element, oil filter(winter)..... | 1           | 25       | 809001   | Nut, whizlock 5/16-18.....    | 2           |
| 8        | 513167   | Cap, hydraulic reservoir.....    | 1           | 26       | 800258   | Screw, 1/4-20 x 2.....        | 2           |
| 9        | 523103   | Gasket, tank cap.....            | 1           | 27       | 800293   | Screw, 3/8-16 x 1-1/4.....    | 4           |
| 10       | 603987   | Elbow, 90°.....                  | 1           | 28       | 800273   | Screw, 5/16-18 x 1.....       | 2           |
| 11*      | 512166   | Reservoir, hydraulic fluid.....  | 1           | 29       | 809012   | Nut, whizlock 1/4-20.....     | 2           |
| 12       | 603826   | Hose Clamp 1/2.....              | 3           | 30       | 809007   | Nut, whizlock 3/8-16.....     | 4           |
| 13       | 603722   | Fitting - Hose Tee(1/4 I.D hose) | 1           | 31       | 613073   | Grip, dump valve.....         | 2           |
| 14       | 513840   | Elbow - 90°.....                 | 2           | 32       | 805258   | Washer, 5/16 std.....         | 8           |
|          | 603921   | O-Ring.....                      | 1           | 33       | 602750   | Hose, case drain.....         | 1           |
| 15       | 804255   | Nut, nylock 1/4-20.....          | 2           | 34       | 632286   | Hose assy, lo pressure.....   | 1           |
| 16       | 801063   | Screw, 1/4-20 x 2 pan head....   | 2           | 35       | 413273   | Hose, lo pressure.....        | 2           |
|          |          |                                  |             | 36       | 632285   | Hose assy, lo pressure.....   | 1           |

\* Use Teflon Pipe Sealant or equivalent on hydraulic reservoir and filter head fittings.

∇ Use only for operation below 32°F(0°C)  
 Emark black touch up spray paint - gloss black

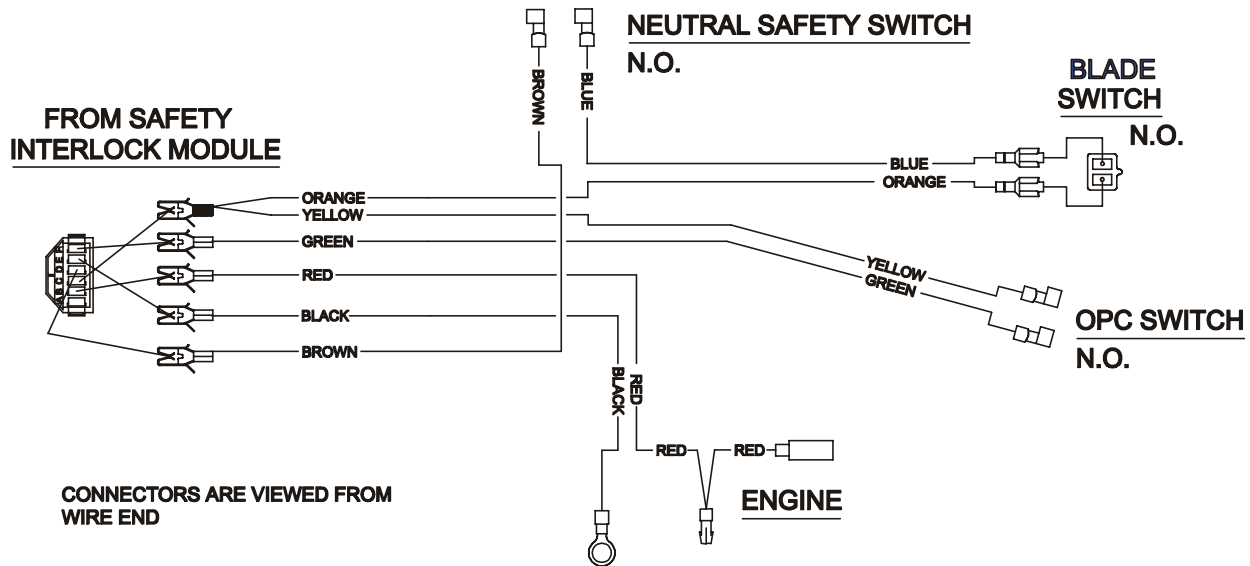
## DECALS



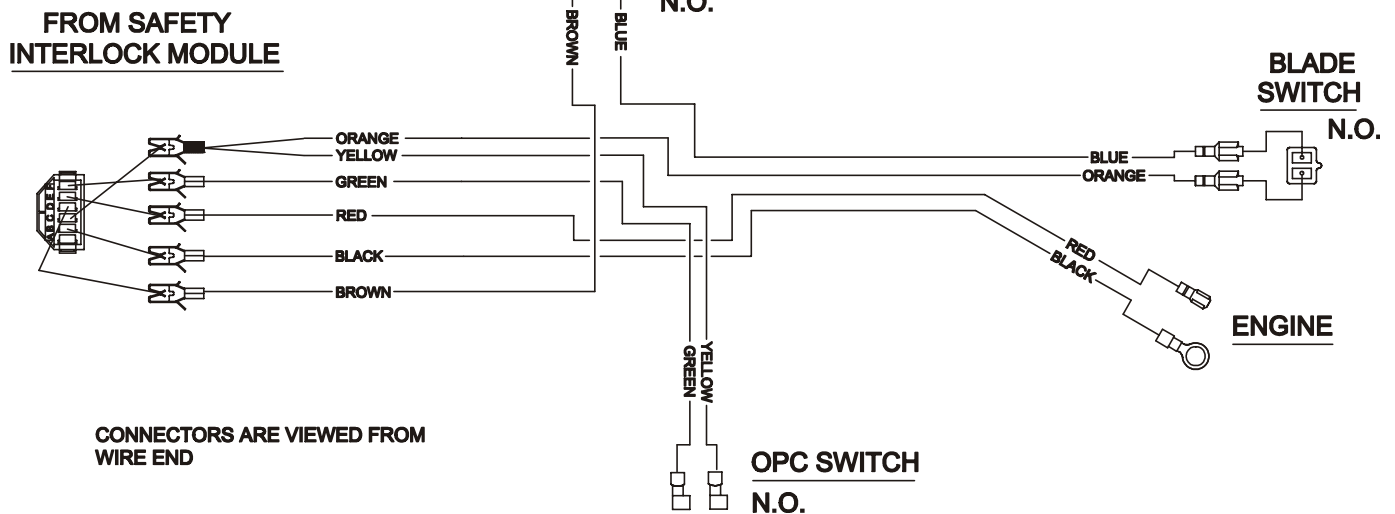
| Ref. No. | Part No. | Description                     | Qty. Req'd. | Ref. No. | Part No.                  | Description                     | Qty. Req'd. |
|----------|----------|---------------------------------|-------------|----------|---------------------------|---------------------------------|-------------|
| 1        | 513890   | Decal, Hydraulic Tank .....     | 1           | 13       | 303293                    | Decal, Caution .....            | 1           |
| 2        | 323319   | Decal, Large Vik Hydro .....    | 1           | 14       | 403005                    | Decal, Danger (36") .....       | 1           |
| 3        | 323411   | Decal, Commercial "36" .....    | 1           | 403005   | Decal, Danger (48") ..... | 2                               |             |
| 4        | 403131   | Decal, Commercial "48" .....    | 1           | 15       | 323689                    | Decal, Console.....             | 1           |
| 5        | 323689   | Decal, Throttle/Choke .....     | 1           | 16       | 413214                    | Decal, Tracking.....            | 1           |
| 6        | 303102   | Decal, Neutral Lock Label ..... | 2           | 17       | 603845                    | Decal, Drive Wheel Release...   | 1           |
| 7        | 373066   | Decal, Patent Pending.....      | 1           | 18       | 513746                    | Decal, Muffler.....             | 1           |
| 8        | 303520   | Decal, TriVantage .....         | 1           | 19       | 403080                    | Decal, Patent No.....           | 1           |
| 9        | 303517   | Decal, Belt Drive.....          | 1           | 20       | 323427                    | Decal, Belt routing (36" Deck). | 1           |
| 10       | 303508   | Decal, Discharge Warning .....  | 1           | 21       | 403162                    | Decal, Belt routing (48") ..... | 1           |
| 11       | 323321   | Decal, Small Viking .....       | 1           | 302210   | Decal Kit, Viking Hydro   |                                 |             |
| 12       | 403143   | Decal, Sulky Warning.....       | 1           |          |                           |                                 |             |

## WIRING DIAGRAMS

### KAWASAKI



### KOHLER



**SEE EXMARK'S COMPLETE  
LINE OF PRODUCTS FOR TURF CARE**

**LAZER Z™**

**LAZER Z™ HP**

**EXPLORER®**

**TURF RANGER®**

**TURF TRACER®**

**TURF TRACER® HP**

**VIKING HYDRO**

**METRO™**

**METRO™ HP**

**SELF STEERING SULKY**

**GRASS CATCHER**

**MICRO-MULCH™ ACCESSORY**

©1997,1998 EXMARK MFG. CO. INC.  
INDUSTRIAL PARK BOX 808  
BEATRICE, NE 68310

PART NO. 850623  
(402) 223-6300  
FAX (402) 223-5489

ALL RIGHTS RESERVED

PRINTED IN U.S.A.

