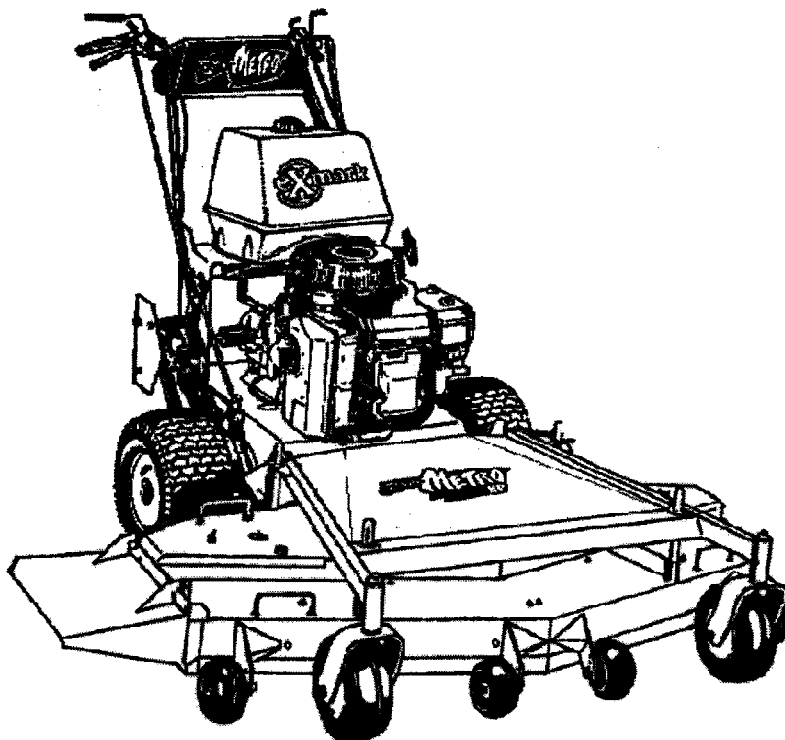


For Serial Nos.
190,000 & Higher



PARTS MANUAL

METROTM HP

CONGRATULATIONS on the purchase of your new Exmark mower. This product has been carefully designed and manufactured to give you a maximum amount of dependability and years of trouble-free operation.

If additional information is needed, or should you require trained mechanic service, contact your authorized Exmark equipment dealer or distributor.

If you need to order replacement parts from your dealer, always give the model number and serial number of your mower as well as the part number, description and quantity of the part needed.

The Serial No. plate is located on the top front engine frame on the right hand side of the machine.

For ease of ordering and reference, we suggest that you record the information requested in the following identification table.

Model No. _____

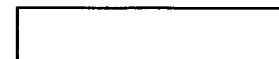
Serial No. _____

Engine Model No. _____

Engine Serial No. _____

Date Purchased _____

Paste Label From
Literature Packet Here



EXMARK PARTS PLUS® PROGRAM

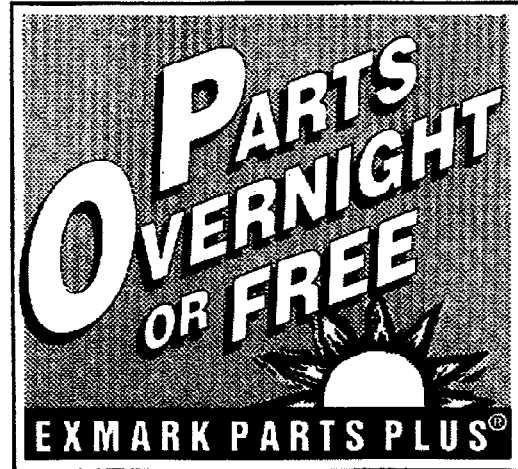
EFFECTIVE DATE: September 1, 1995

Program

If your Exmark dealer does not have the Exmark part in stock, Exmark will get the parts to the dealer the next business day or the part will be FREE* Guaranteed!!

How the Program Works

1. If dealer does not have part in stock for a "down" unit at the time of request by customer, the dealer contacts his distributor by 1:00 p.m., local time, and requests Exmark Parts Plus® shipment of six (6) line items or less.
2. Distributor ships part(s) to dealer or customer, as requested by dealer, same day, overnight UPS. Distributor bills dealer for part and freight charges where applicable.
3. If distributor does not have the part(s) in stock to satisfy Exmark Parts Plus® order, he contacts Exmark by 3:00 p.m., central time, with an Exmark Parts Plus® order of six (6) line items or less.
4. If order is received by 3:00 p.m. central time, Exmark ships part(s) direct to dealer or customer, as requested by distributor, same day, overnight UPS, Exmark bills the distributor for parts and shipping charges, where applicable.
5. The customer pays for the part and freight if it is shipped under the Exmark Parts Plus® and if it arrives in accordance to the program.
6. Who pays for the part and freight if it fails to arrive overnight in accordance to the program?
 - A. Under any circumstance the customer does not pay.
 - B. If the part does not arrive overnight due to:
 1. The dealer not submitting the Exmark Parts Plus® order to his Exmark distributor by 1:00 p.m., the dealer pays for the part and freight.
 2. The Distributor being unable to ship the part the same day or not submitting the Exmark Parts Plus® order to Exmark by 3:00 p.m., central time, the Distributor pays for the part and freight.
 3. Exmark being unable to ship the part and the Exmark parts order is received by 3:00 p.m., central time, Exmark pays for the part and freight.
 4. If the part does not arrive overnight due to the shipper (UPS), the shipper pays for the freight and Exmark pays for the part.



The following restrictions apply -- The Exmark Parts Plus® Program is available only through participating Exmark Dealers and applies only to orders submitted on this program Monday through Thursday. UPS has initiated a Saturday delivery program to many areas of the continental United States and can be requested for an overnight shipment on Friday to be delivered Saturday. The next day air charge, plus the Saturday delivery fee will be the responsibility of the purchaser. Exmark Mfg. will assume no responsibility for Saturday delivery shipments. To qualify, all Exmark Parts Plus® orders must be received by Exmark by 3:00 p.m., central time. Orders must be six (6) line items or less. Exclusions from the Exmark Parts Plus® Program are: Any wholegood or accessory in its entirety, engines and engine replacement parts, 5-speed Peerless transmissions and 5-speed transaxles, hydraulic or hydrostatic wheel motors, cutter decks and engine decks or any item exceeding United Parcel Service size and weight restrictions.

Due to UPS restrictions, aerosol spray paint is considered a hazardous material and cannot be shipped via UPS next day or Second Day Air.

Exmark Manufacturing stocks a limited supply of parts for transaxles, pumps and wheel motors. These parts can be ordered for Next Day Air shipment but will not be guaranteed per the Parts Plus Program.



**READ OPERATOR'S MANUAL BEFORE
OPERATING OR SERVICING EXMARK EQUIPMENT.**

TABLE OF CONTENTS

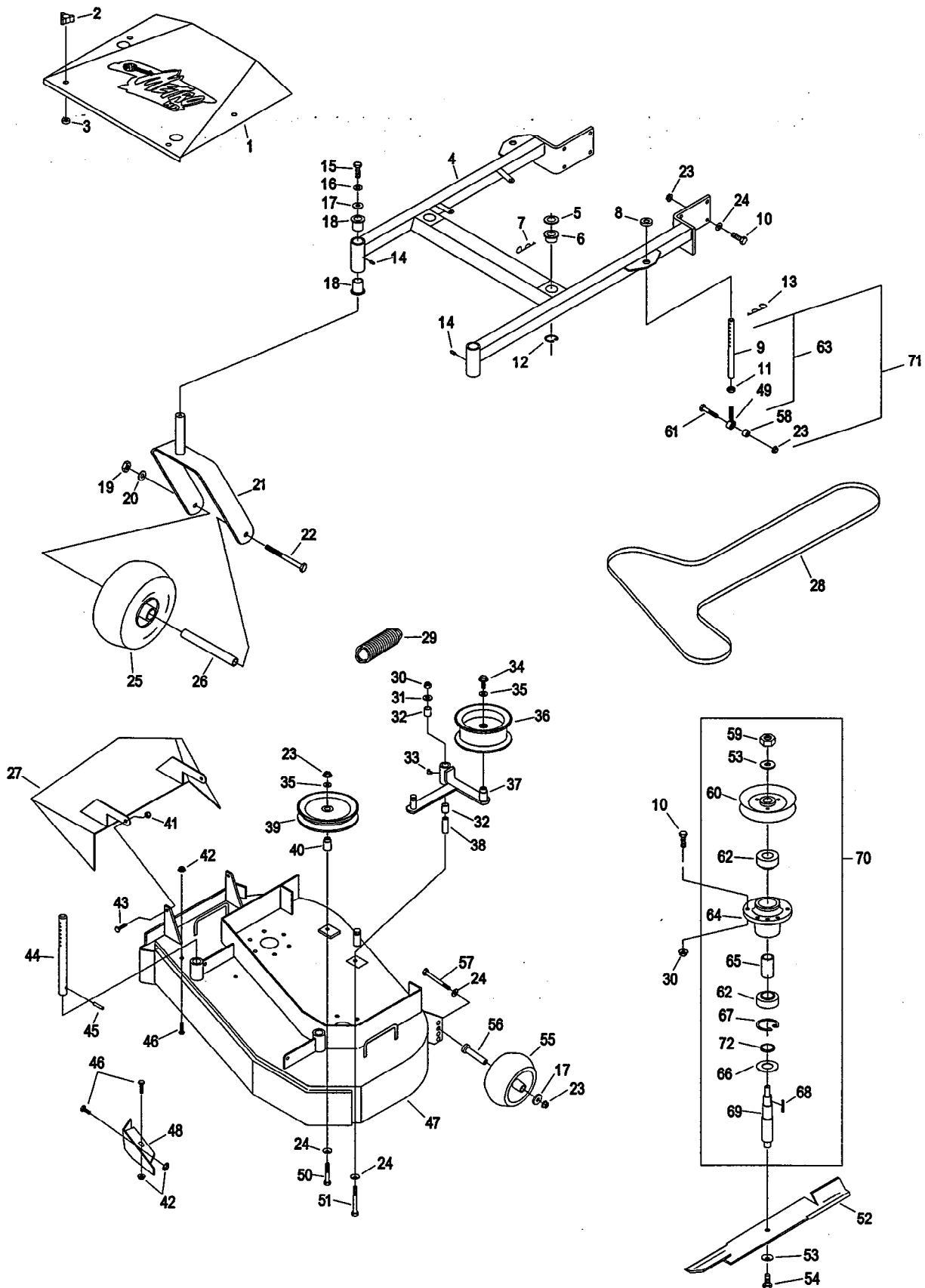
<u>Description</u>	<u>Page</u>
Decals	15
Engine Deck Group	9-12
52" Mower Deck	7-8
48" Mower Deck	5-6
36" Mower Deck	3-4
Upper Handles & Controls	13-14
Wiring Diagrams	16-17

36" MOWER DECK

Ref. No.	Part No. Description	Qty. Req'd.	Ref. No.	Part No. Description	Qty. Req'd.
1	414435 Shield, belt w/decals	1	37	412134 Arm, weldmt	1
	413098 Shield, belt	1		414144 Arm, Weldmt w/bushings	1
2	323385 Knob, belt shield	4	38	603384 Bushing, Idler Pivot	1
3	323417 Washer, belt cover.....	4	39	613098 Pulley, Idler	1
4	414309 Support weldmt w/bushings &decals	1	40	413113 Bushing, Idler	1
	412108 Support weldmt	1	41	804256 Nut, Nylock 5/16-18	2
5	413425 Spacer, Front Deck Support	2	42	809001 Nut, Whizlock 5/16-18	3
6	513336 Bushing, deck support	2	43	800273 Screw, Hex Cap 5/16-18x1	2
7	806007 Hairpin, Cotter	2	44	603001 Rod, Deck Support	2
8	303164 Spacer, Blade Drive	2	45	806332 Rollpin, 1/4x1-1/2	2
9	613203 Link, Deck Support	2	46	800270 Screw, Hex Cap 5/16-18x5/8	3
10	800293 Screw,Hex Cap 3/8-16x1-1/4	20	47	414383 Deck weldmt w/decals, discharge	
11	804525 Nut, Reg Hex 3/8-24	2		baffle & support rods	1
12	808507 Ring, Retaining	2		412104 Deck weldmt	1
13	806006 Hairpin, Cotter	2	48	522480 Baffle, discharge	1
14	811001 Zerk, straight 1/8	2	49	613204 Ball Joint	2
15	800292 Screw, Hex Cap 3/8-16x1	2	50	800299 Screw, Hex Cap 3/8-16x2-3/4	1
16	805006 Washer, 3/8 heavy spring.....	2	51	800805 Screw, Hex Cap 3/8-16x3-1/2 G8....	1
17	373034 Washer, Swivel	3	52	633482 Blade, 18.00 notched air foil.....	2
18	303514 Bearing, Flange	4		613251 Blade, 18.00 solid air foil.....	2
19	804509 Nut, Reg Hex 1/2-13	2	●	633484 Blade, 18.00 mulching	2
20	805008 Washer, Lock Hlcl Spg 1/2 Reg	2		633485 Blade, 18.00 low lift (optional)	2
21	522143 Caster weldmt	2	53	513208 Washer, Spring disc	4
22	800334 Screw, Hex Cap 1/2-13x6	2	54	800340 Screw, Hex Cap 5/8-11x1	2
23	809007 Nut, Whizlock 3/8-16	12	55	603299 Roller, antiscalp	1
24	303327 Washer, Disc Spring 3/8	11	56	603602 Bushing, roller	1
25	513648 Tire & Wheel Assembly	2	57	800807 Screw, Hex Cap 3/8-16x4 G8	1
	513807 Wheel & Hub	2	58	603050 Bushing Spacer	2
	513808 Tire, 9x3.50-4 4-ply	2	59	804510 Nut, Reg Hex 5/8-18	2
	513809 Roller Bearing	2	60	413424 Sheave w/Hub	2
	513810 Bushing	4	61	800295 Screw, Hex Cap 3/8-16x1-3/4	2
26	513547 Spacer	2	62	513016 Bearing	4
27	412238 Chute weldmt, discharge	1	63	614213 Link, Assembly	2
28	413094 Belt, deck drive	1	64	323532 Housing, Spindle	2
29	633151 Spring, extension	1	65	323528 Spacer, Bearing	2
30	804257 Nut, Nyloc 3/8-16	13	66	633573 Gaurd, Bearing-Bottom	2
31	805260 Washer, Flat Std 3/8	1	67	808502 Ring, Snap	2
32	513034 Pivot, Bearing	2	68	807268 Key, machine	2
33	811008 Zerk, 90 degree 1/4-28	1	69	413330 Shaft, Spindle	2
34	803016 Bolt, Hex Whizlock 3/8-16x1	1	70	414335 Housing, Cutter Assembly	2
35	805259 Washer, Flat 3/8 SAE	2	71	611216 Kit, Link Assembly	2
36	413099 Pulley, Idler	1	72	323533 Spacer	2

- Requires installation of Micro-Mulch accessory for proper mulching. Mulch kit P/N MK363(36")
Exmark red touch up spray paint - P/N 850337

36" MOWER DECK

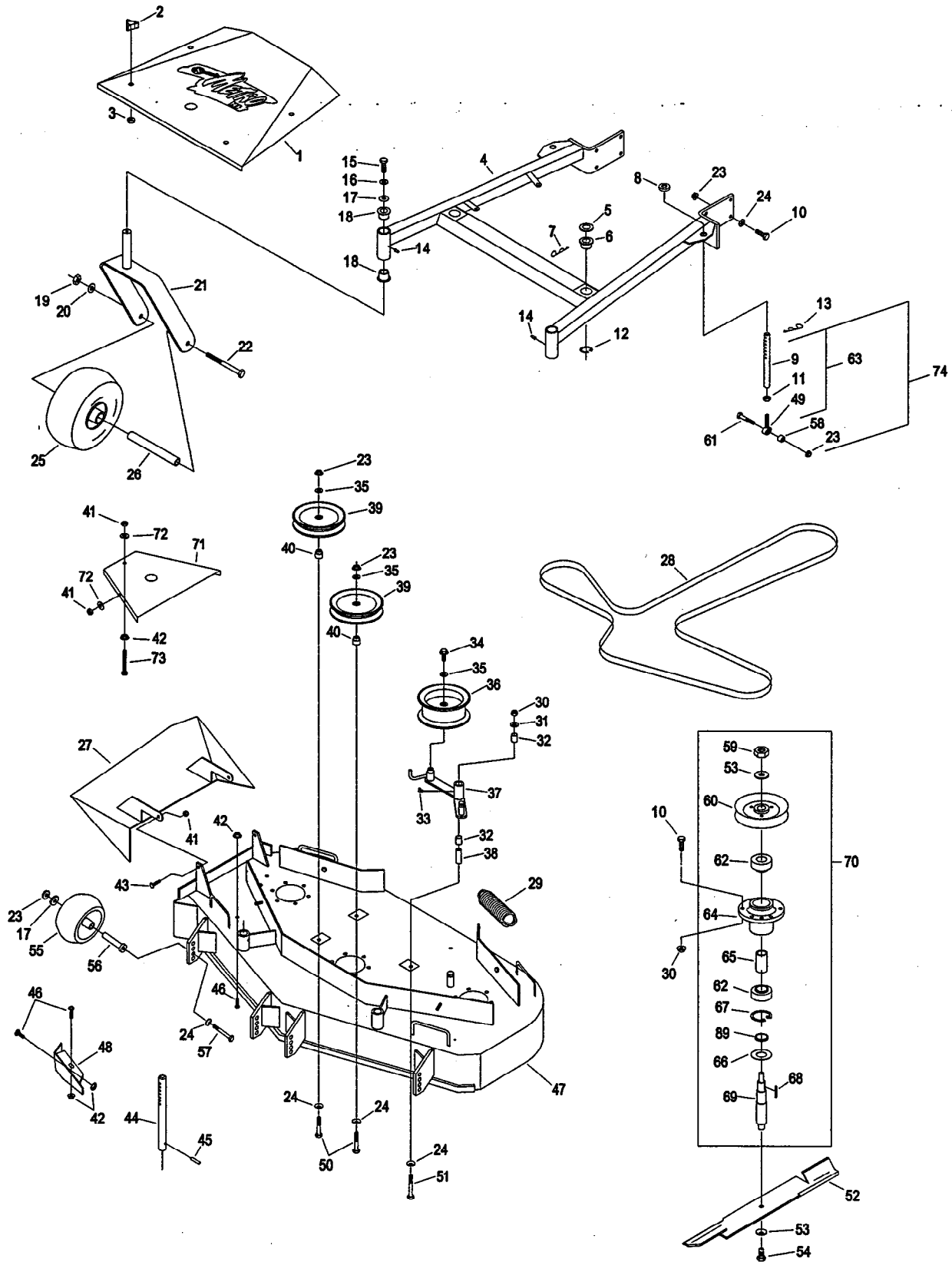


48" MOWER DECK

Ref. No.	Part No. Description	Qty. Req'd.	Ref. No.	Part No. Description	Qty. Req'd.
1	414436 Shield, belt w/decals	1	38	603384 Bushing, Idler Pivot	1
	413101 Shield, belt	1	39	613098 Pulley, Idler	2
2	323385 Knob, belt shield	4	40	413113 Bushing, Idler	2
3	323417 Washer, belt cover.....	4	41	804256 Nut, Nylock 5/16-18	8
4	414310 Support weldmt w/bushings &decals	1	42	809001 Nut, Whizlock 5/16-18	5
	412110 Support weldmt	1	43	800273 Screw, Hex Cap 5/16-18x1	2
5	413425 Spacer, Front Deck Support	2	44	603001 Rod, Deck Support	2
6	513336 Bushing, deck support	2	45	806332 Rollpin, 1/4x1-1/2	2
7	806007 Hairpin, Cotter	2	46	800270 Screw, Hex Cap 5/16-18x5/8	3
8	303164 Spacer, Blade Drive	2	47	414384 Deck weldmt w/decals, discharge	
9	613203 Link, Deck Support	2		baffle & support rods	1
10	800293 Screw, Hex Cap 3/8-16x1-1/4	26		412106 Deck weldmt	1
11	804525 Nut, Reg Hex 3/8-24	2	48	522480 Baffle, discharge	1
12	808507 Ring, Retaining	2	49	613204 Ball Joint	2
13	806006 Hairpin, Cotter	2	50	800299 Screw, Hex Cap 3/8-16x2-3/4	2
14	811001 Zerk, straight 1/8	2	51	800805 Screw, Hex Cap G8 3/8-16x3-1/2 ...	1
15	800292 Screw, Hex Cap 3/8-16x1	2	52	323515 Blade, 16.25 notched air foil.....	3
16	805006 Washer, 3/8 heavy spring.....	2		413438 Blade, 16.25 solid air foil	3
17	373034 Washer, Swivel	6	● 403148 Blade, 16.25 mulching	3	
18	303514 Bearing, Flange	4		403149 Blade, 16.25 low lift (optional)	6
19	804509 Nut, Reg Hex 1/2-13	2	53	513208 Washer, Spring disc	3
20	805008 Washer, Lock Hlcl Spg 1/2 Reg	2	54	800340 Screw, Hex Cap 5/8-11x1	4
21	522143 Caster weldmt	2	55	603299 Roller, antiscalp	4
22	800334 Screw, Hex Cap 1/2-13x6	2	56	603602 Bushing, roller	4
23	809007 Nut, Whizlock 3/8-16	16	57	800807 Screw, Hex Cap G8 3/8-16x4	2
24	303327 Washer, Disc Spring 3/8	15	58	603050 Bushing Spacer	3
25	513648 Tire & Wheel Assembly	2	59	804510 Nut, Reg Hex 5/8-18	3
	513807 Wheel & Hub	2	60	413424 Sheave w/Hub	2
	513808 Tire, 9x3.50-4 4-ply	2	61	800295 Screw, Hex Cap 3/8-16x1-3/4	6
	513809 Roller Bearing	2	62	513016 Bearing	2
	513810 Bushing	4	63	614213 Link, Assembly	3
26	513547 Spacer	2	64	323532 Housing, Spindle	3
27	522478 Chute weldmt, discharge	1	65	323528 Spacer, Bearing	3
28	413093 Belt, deck drive	1	66	633573 Gaurd, Bearing-Bottom	3
29	633151 Spring, extension	1	67	808502 Ring, Snap	3
30	804257 Nut, Nyloc 3/8-16	19	68	807268 Key, machine	3
31	805260 Washer, Flat Std 3/8	1	69	413330 Shaft, Spindle	3
32	513034 Pivot, Bearing	2	70	414335 Housing, Cutter Assembly	2
33	811008 Zerk, 90 degree 1/4-28	1	71	523471 Shield, Belt	6
34	803016 Bolt, Whizlock 3/8-16x1	1	72	805258 Washer, Flat Std 5/16	2
35	805259 Washer, Flat 3/8 SAE	3	73	800017 Bolt, Hex Tap 5/16-18x3 1/4	2
36	413099 Pulley, Idler	1	74	611216 Kit, Link Assembly	3
37	412394 Arm, weldmt	1	75	323533 Spacer	
	414398 Arm, Weldmt w/bushings	1			

- Requires installation of Micro-Mulch accessory for proper mulching. Mulch kit P/N MK483(48")
Exmark red touch up spray paint - P/N 850337

48" MOWER DECK

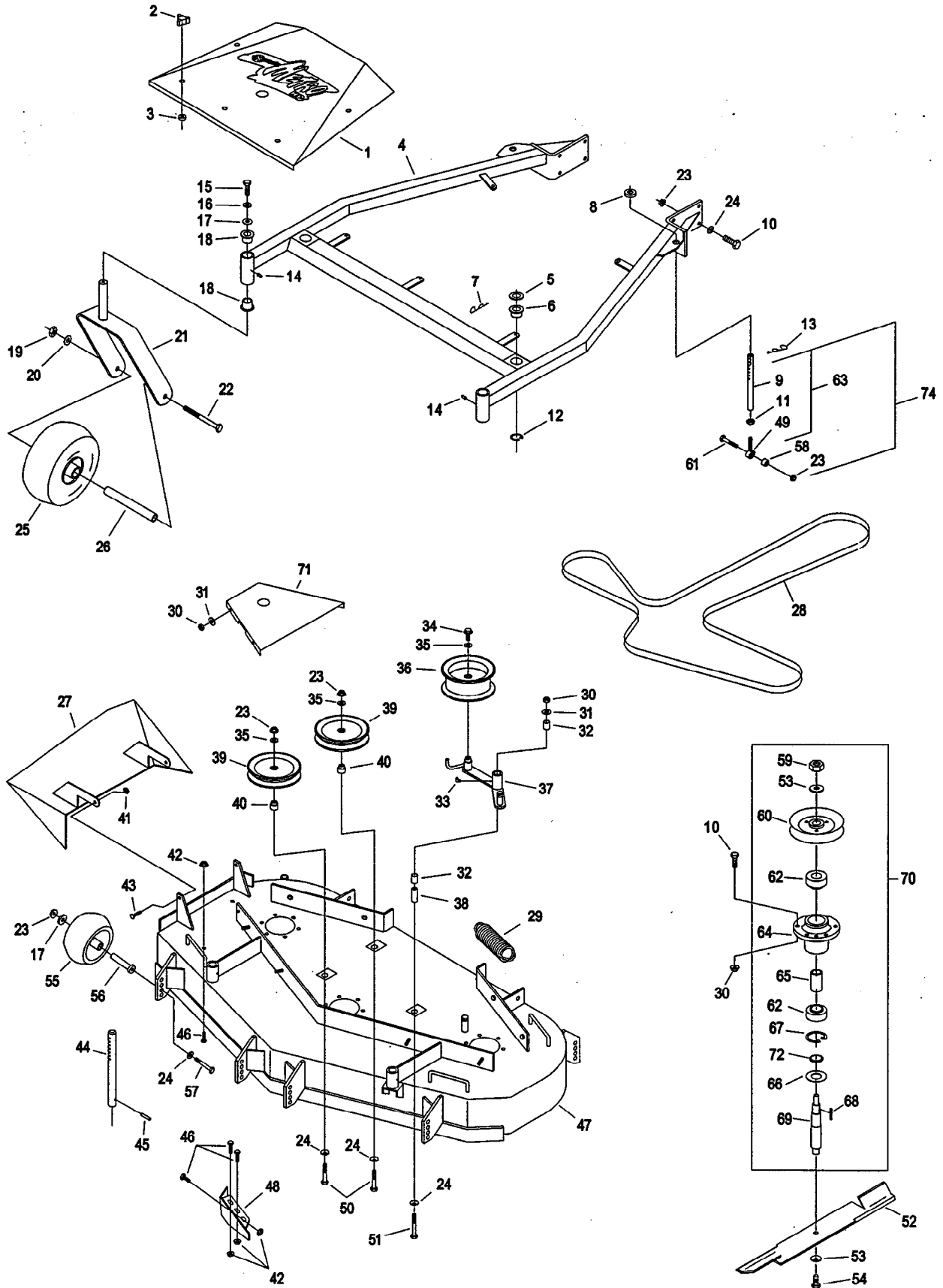


52" MOWER DECK

Ref. No.	Part No. Description	Qty. Req'd.	Ref. No.	Part No. Description	Qty. Req'd.
1	414437 Shield, belt w/decals	1	37	412394 Arm, weldmt	1
	413303 Shield, belt	1		414398 Arm, Weldmt w/bushings	1
2	323385 Knob, belt shield	5	38	603384 Bushing, Idler Pivot	1
3	323417 Washer, belt cover.....	5	39	613098 Pulley, Idler	2
4	414311 Support weldmt w/bushings &decals	1	40	413113 Bushing, Idler	2
	412317 Support weldmt	1	41	804256 Nut, Nylock 5/16-18	2
5	413425 Spacer, Front Deck Support	2	42	809001 Nut, Whizlock 5/16-18	4
6	513336 Bushing, deck support	2	43	800273 Screw, Hex Cap 5/16-18x1	2
7	806007 Hairpin, Cotter	2	44	603001 Rod, Deck Support	2
8	303164 Spacer, Blade Drive	2	45	806332 Rollpin, 1/4x1-1/2	2
9	613203 Link, Deck Support	2	46	800270 Screw, Hex Cap 5/16-18x5/8	4
10	800293 Screw, Hex Cap 3/8-16x1-1/4	26	47	414385 Deck weldmt w/decals, discharge baffle & support rods	1
11	804525 Nut, Reg Hex 3/8-24	2		412313 Deck weldmt	1
12	808507 Ring, Retaining	2	48	602913 Baffle, discharge	1
13	806006 Hairpin, Cotter	2	49	613204 Ball Joint	2
14	811001 Zerk, straight 1/8	2	50	800299 Screw, Hex Cap 3/8-16x2-3/4	2
15	800292 Screw, Hex Cap 3/8-16x1	2	51	800805 Screw, Hex Cap 3/8-16x3-1/2 G8 ...	1
16	805006 Washer, 3/8 heavy spring.....	2	52	633482 Blade, 18.00 notched air foil	3
17	373034 Washer, Swivel	8		613251 Blade, 18.00 solid air foil	3
18	303514 Bearing, Flange	4		● 633484 Blade, 18.00 mulching	3
19	804509 Nut, Reg Hex 1/2-13	2		633485 Blade, 18.00 low lift (optional)	3
20	805008 Washer, Lock Hlcl Spg 1/2 Reg	2	53	513208 Washer, Spring disc	6
21	522143 Caster weldmt	2	54	800340 Screw, Hex Cap 5/8-11x1	3
22	800334 Screw, Hex Cap 1/2-13x6	2	55	603299 Roller, antiscalp	6
23	809007 Nut, Whizlock 3/8-16	18	56	603602 Bushing, roller	6
24	303327 Washer, Disc Spring 3/8	17	57	800807 Screw, Hex Cap 3/8-16x4 G8	6
25	513648 Tire & Wheel Assembly	2	58	603050 Bushing Spacer	2
	513807 Wheel & Hub	2	59	804510 Nut, Reg Hex 5/8-18	3
	513808 Tire, 9x3.50-4 4-ply	2	60	413424 Sheave w/Hub	3
	513809 Roller Bearing	2	61	800295 Screw, Hex Cap 3/8-16x1-3/4	2
	513810 Bushing	4	62	513016 Bearing	6
26	513547 Spacer	2	63	614213 Link, Assembly	2
27	602571 Chute weldmt, discharge	1	64	323532 Housing, Spindle	3
28	413308 Belt, deck drive	1	65	323528 Spacer, Bearing	3
29	633151 Spring, extension	1	66	633573 Guard, Bearing-Bottom	3
30	804257 Nut, Nyloc 3/8-16	27	67	808502 Ring, Snap	3
31	805260 Washer, Flat Std 3/8	9	68	807268 Key, machine	3
32	513034 Pivot, Bearing	2	69	413330 Shaft, Spindle	3
33	811008 Zerk, 90 degree 1/4-28	1	70	414335 Housing, Cutter Assembly	3
34	803016 Bolt, Whizlock 3/8-16x1	1	71	413305 Shield, Belt	2
35	805259 Washer, Flat 3/8 SAE	3	72	323533 Spacer	3
36	413099 Pulley, Idler	1			

- Requires installation of Micro-Mulch accessory for proper mulching. Mulch kit P/N MK523(52")
Exmark red touch up spray paint - P/N 850337

52" MOWER DECK



ENGINE DECK GROUP

Ref. No.	Part No. Description	Qty. Req'd.	Ref. No.	Part No. Description	Qty. Req'd.
1	323250 Grip, Foam	1	45	800032 Bolt, Hex Tap 3/8-16x3	2
2	804264 Nut, Nyloc 3/8-24	1	46	323368 Swivel, Short	2
3	303327 Washer, Disc Spring 3/8	7	47	323548 Linkage, Brake	2
4	323379 Washer, Shifter Lever	1	48	322125 Swivel, Weldmt Brake Linkage	2
5	323500 Transmission, Peerless	1	49	323245 Spring, Compression	2
6	811006 Zerk, Straight 1/4-28 5/32	6	50	805257 Washer, Flat SAE 5/16	4
7	324340 Coupling, w/guard & zerk.....	2	51	513959 Wingnut, Nyloc 5/6	2
8	807009 Key Woodruff #9 3/4x3/16	3	52	412373 Deck, Weldmt Engine	1
9	323502 Shaft, Transmission Output 9 spline.	2	53	808522 Ring, Klip 3/8	2
10	322152 Lever, Shift w/Grip.....	1	54	808520 Ring, Klip 5/16	2
11	303282 Switch, Neutral Start	1	55	323283 Spacer, Shield	4
12	809013 Screw, Hex Tap 5/16-18x3/4	4	56	412379 Arm, Wldmt RH (shown).....	1
13	809001 Nut, Whizlock 5/16-18	14		412378 Arm, Wldmt LH	1
14	323387 Plate, Shifter	1	57	800275 Screw, Hex Cap 5/16-18x1 1/2	2
15	807503 Bolt, Carriage 5/16-18x3/4	2	58	804256 Nut, Nyloc 5/16-18.....	2
16	323389 Leg, Shifter Plate	2	59	800306 Screw, Hex Cap 3/8-16x5	4
17	323526 Ball, Stainless Steel	1	60	413359 Shield, Wheel Drive	2
18	805005 Washer, Lock Hlcl Spg 5/16	4	61	800274 Screw, Hex Cap 5/16-18x1 1/4	8
19	800271 Screw, Hex Cap 5/16-18x3/4	4	62	323261 Brake Drum	2
20	808523 Ring, Retaining	2	63	413331 Sheave, Wheel Drive w/offset	2
21	323252 Bearing, Transmission Shaft	2	64	413332 Sheave, Wheel Drive	2
22	804255 Nut, Nyloc 1/4-20	4	65	543511 Seal, Grease	2
23	800251 Screw, Hex Cap 1/4-20x5/8	4	66	543509 Cone, Bearing L44643	4
24	323254 Flange, Output	2	67	543508 Cup, Bearing L44610.....	4
25	✦ 803310 Screw, Set 5/16-18x3/8	2	68	413333 Wheel, Hub w/cups	2
26	413355 Sleeve, Axle	1	69	523157 Washer, Spacer	2
27	413334 Sheave, Transmission Output	2	70	806800 Pin, Cotter 9/64x1-1/2	2
28	809007 Nut, Whizlock 3/8-16	22	71	809082 Nut, Slotted Hex	2
29	412376 Axle Weldmt	2	72	543513 Cap, Grease	2
30	543556 Spacer, Wheel	2	73	413473 Wheel & Tire Assembly	2
31	413347 Bushing, Sleeve	4		413474 Tire 16x6.50-8	2
32	414375 Lever, Brake RH w/bushings (shown) .	1		603715 Wheel	2
	414374 Lever, Brake LH w/bushings	1	74	513011 Nut, Wheel 1/2-20	8
33	413344 Bushing, Pivot	2	75	413341 Belt, Wheel Drive Banded	2
34	805260 Washer, Flat Std 3/8	2	76	411255 Kit, Sulky Hitch	1
35	800296 Screw, Hex Cap 3/8-16x2	2	77	413252 Bracket, Sulky LH	1
36	803051 Nut, Push .38	2	78	413254 Bracket, Sulky RH	1
37	800295 Screw, Hex Cap 3/8-16x1 3/4	2	79	323681 Guard, coupler	1
38	323262 Brake Band	2	80	▲ 543233 Cap, 3/8 NPT Hex (Koh).....	1
39	323307 Pin, Clevis	2	81	806003 Cotter, Hairpin .0585 #2	2
40	800292 Screw, Hex Cap 3/8-16x1	12	82	▲ 323326 Nipple, 3/8 NPTx3 (Koh)	1
41	804752 Nut, Jam 3/8-16	2	83	▲ 303431 Elbow, Brass 90° (Koh).....	1
42	804257 Nut, Nyloc 3/8-16	6	84	412358 Scraper, Wldmt	2
43	603402 Spring, Extension	2	85	413353 Pin, Threaded	2
44	323277 Idler, Wheel Drive	2			

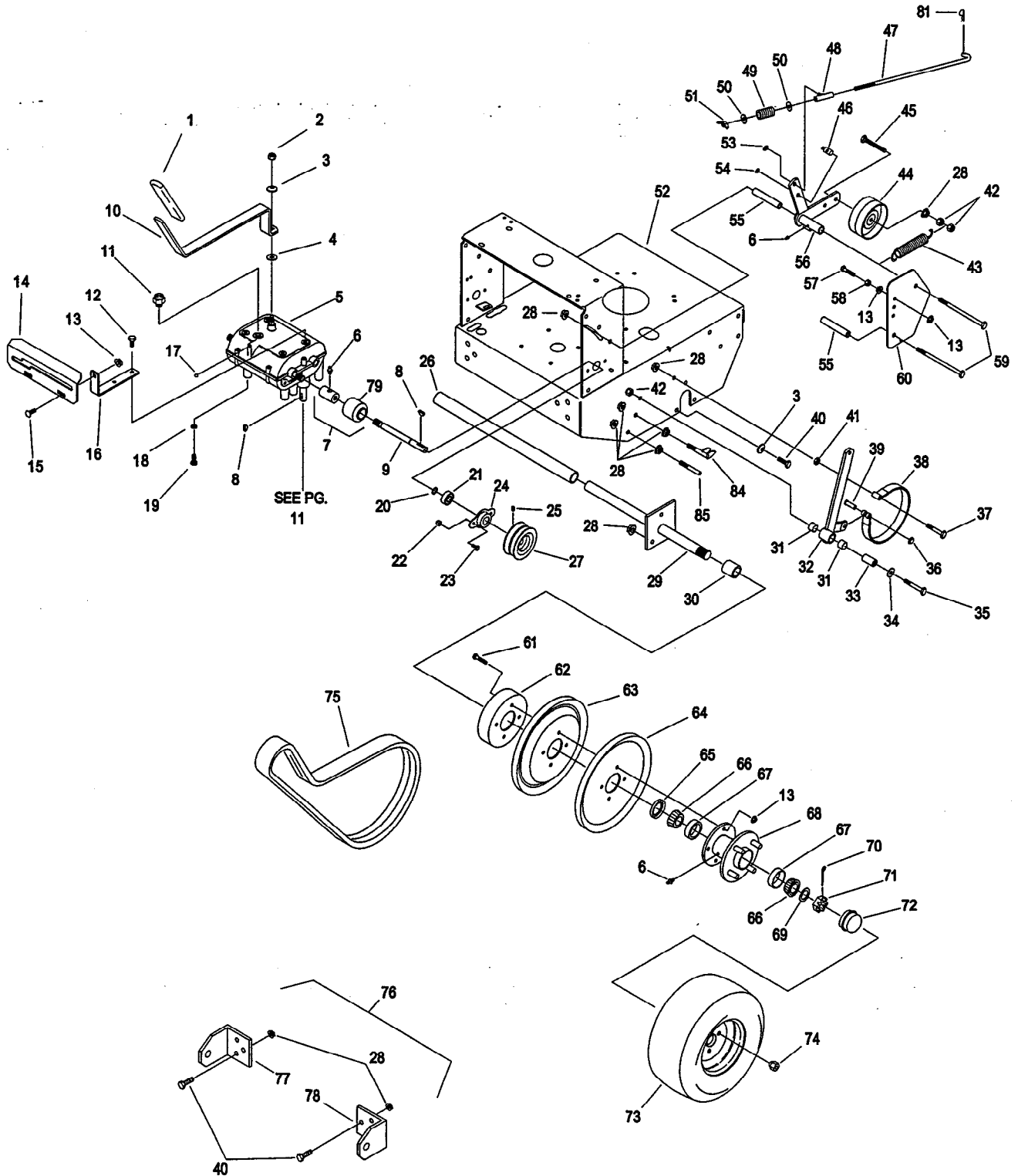
✦ Use Pro-lock (Nut type) Part No. 840022 (.5ml tube) on setscrew threads.

▲ Use Teflon Pipe Sealant (or equivalent) on all pipe threads.

Exmark red touch up spray paint - P/N 850337

Exmark black touch up spray paint - Gloss black

ENGINE DECK GROUP



ENGINE DECK GROUP (CONT.)

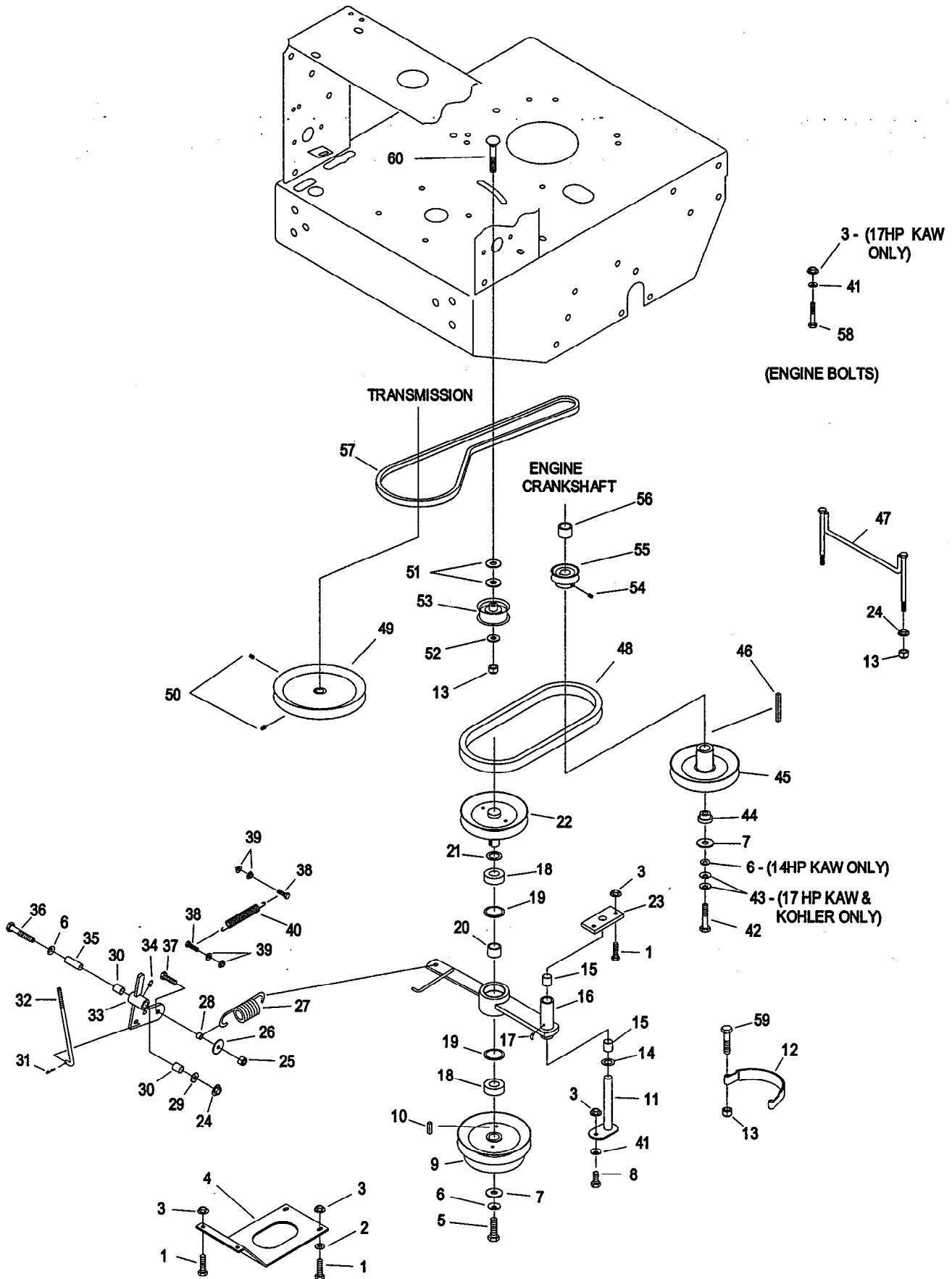
Ref. No.	Part No. Description	Qty. Req'd.	Ref. No.	Part No. Description	Qty. Req'd.
1	800273 Screw, Hex Cap 5/16-18x1	6	33	414143 Link Pivot w/Bearing	1
2	805258 Washer, Flat Std 5/16	2	34	811006 Zerk, Straight 1/4-28	1
3	809001 Nut, Whizlck 5/16-18 (14hp Kaw & Koh	7	35	603044 Bushing, Idler Pivot	1
	809001 Nut, Whizlck 5/16-18 (17hp Kaw).....	11	36	800297 Screw, Hex Cap 3/8-16x2-1/4	1
4	413009 Plate, Guard	1	37	800274 Screw, Hex Cap 5/16-18x1-1/4	1
5	◇ 800521 Screw, Hex Cap 3/8-24x1 G8	1	38	800254 Screw, Hex Cap 1/4-20x1	2
6	303327 Washer, Disc Spring 3/8	2	39	809012 Nut, Whizlock 1/4-20	4
	303327 Washer, Disc Spring 3/8 (14hp Kaw) .	3	40	523498 Spring, Motion Control	1
7	373034 Washer, Swivel	2	41	303334 Washer, Disc Spring 5/16	5
8	800271 Screw, Hex Cap 5/16-18x3/4	1	42	◇ 809080 Screw, Hex Cap M10x1.55x55 mm	
9	▲ 412031 Sheave, w/Drum (36" & 52")	1		(14hp Kaw only)	1
	▲ 412028 Sheave, w/Drum (48")	1		◇ 800819 Screw, Hex Cap 7/16-20x2 1/2	
10	807259 Key, Mach 1/4x1/4x1	1		(Koh, 17hp Kaw only)	1
11	412138 Pivot Pin Wldmnt	1	43	603610 Disc, Spring 7/16	
12	413062 Band, Brake Clutch	1		(Koh, 17hp Kaw only)	2
13	804257 Nut, Nyloc 3/8-16	5	44	603609 Bushing, Clutch Keeper	1
14	413235 Washer, Spacer	1	45	▲ 413339 Sheave, Engine	1
15	413207 Pivot, Bearing	2	46	807264 Key, Machine 1/4x1/4x2-5/8	1
16	412417 Arm Weldmt, Clutch	1	47	412325 Guide, Belt Weldmt	1
	414418 Clutch Arm w/Bearings	1	48	413096 Belt, Blade Clutch	1
17	811007 Zerk, 1/4-28x45	1	49	▲ 323278 Sheave, Transmission	1
18	▲ 413111 Bearing, Clutch Shaft	2	50	◇ 803293 Screw, Set 1/4-20x3/8	2
19	808502 Ring, Snap	2	51	805262 Washer, Flat Std 7/16	2
20	413012 Spacer, Bearing Clutch	1	52	805259 Washer, Flat SAE 3/8	1
21	523157 Washer, Spacer	1	53	323285 Idler, Transmission Drive	1
22	▲ 412011 Sheave w/Shaft	1	54	◇ 803310 Screw, Set 5/16-18x3/8	1
23	413049 Plate, Clutch Pivot	1	55	▲ 323256 Sheave, Transmission Drive	1
24	809007 Nut, Whizlock 3/8-16	3	56	413340 Spacer, Crankshaft	1
25	804256 Nut, Nyloc 5/16-18	1	57	323280 Belt, Transmission Drive	1
26	213069 Washer, Strut	1	58	800275 Screw, Hex Cap 5/16-18x1 1/2	
27	513113 Spring, Belt Tension	1		(17hp Kaw)	4
28	543007 Spacer, Clutch Anchor	1		809072 Screw, Hex Cap M8-1.25x25 mm	
29	805260 Washer, Flat Std 3/8	1		(14hp Kaw & Koh)	4
30	513034 Pivot, Bearing	2	59	800294 Screw, Hex Cap 3/8-16x1 1/2	2
31	806003 Pin, Hair Cotter .0585 #2	1	60	807511 Bolt, Carriage SSN 3/8-16x2	1
32	413282 Linkage, Lower	1			

- ▲ Use anti-seize compound in the following locations:
- Between the sheave and the engine crankshaft.
 - Between the sheave w/shaft and the bearing bores.
 - Between the sheave w/shaft and the sheave w/drum.
 - Between the transmission shaft and the sheave.

Exmark red touch up spray paint - P/N 850337
 Exmark black touch up spray paint - Gloss black

- ◇ Use Pro-lock (Nut type) Part No. 840022 (.5ml tube) in the following locations:
- On setscrew threads.
 - On sheave retaining bolt in engine crankshaft.
 - On sheave retaining bolt on clutch arm.

ENGINE DECK GROUP (CONT.)

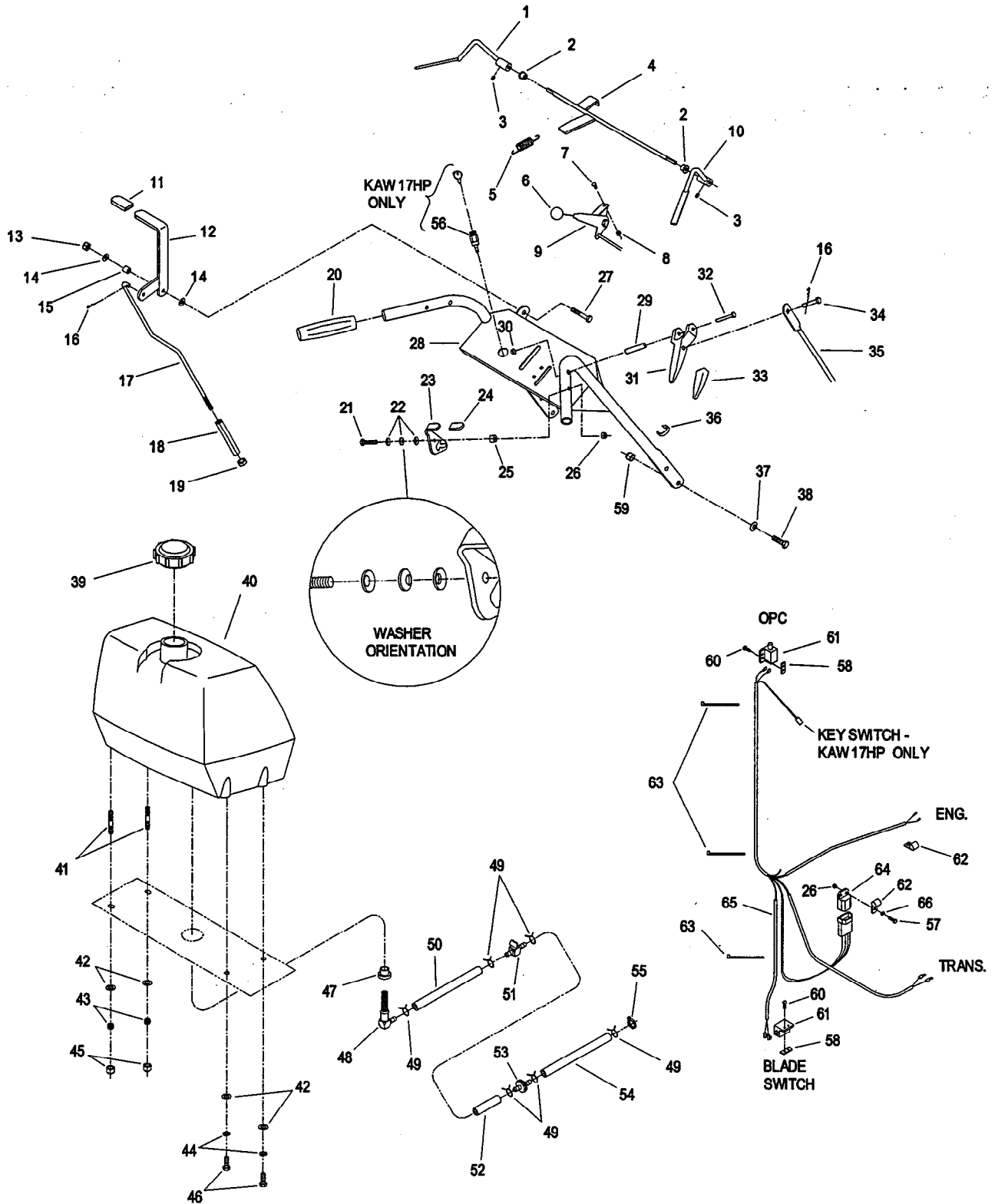


UPPER HANDLES and CONTROLS

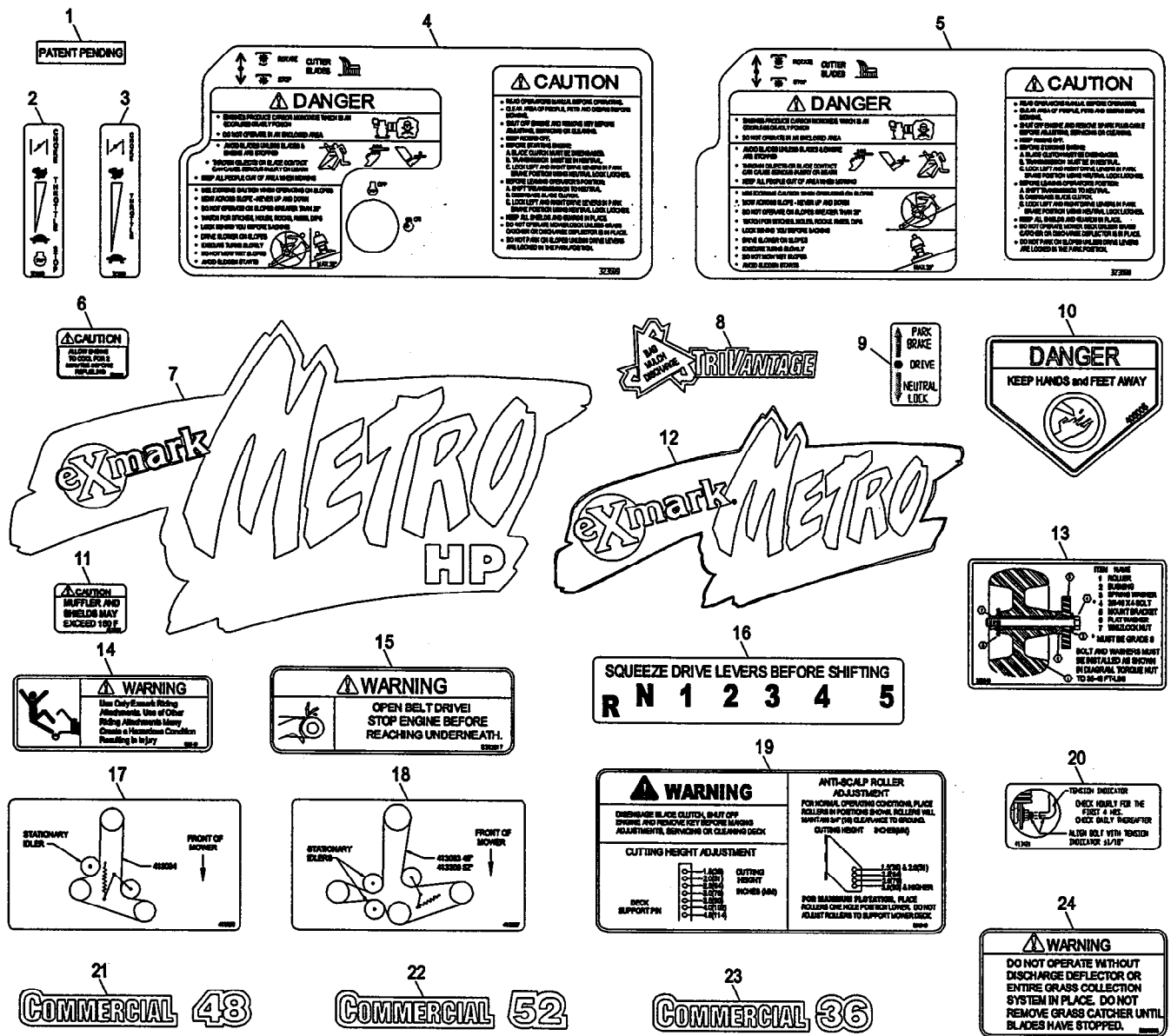
Ref. No.	Part No. Description	Qty. Req'd.	Ref. No.	Part No. Description	Qty. Req'd.
1	∇ 412183 Lever, Wldmt OPC LH	1	36	303088 Clip, Cable	1
2	303365 Bushing, Nylon	2	37	303327 Washer, Disc Spring 3/8	4
3	♦ 803322 Screw, Set .312-24x.312	2	38	800292 Screw, Hex Cap 3/8-16x1	4
4	322192 Rod Weldmt, OPC	1	39	513508 Cap, Fuel Tank	1
5	303363 Spring, Actuator	1	40	413179 Tank, Fuel Intermediate	1
6	513592 Knob, Ball Red	1	41	∇ 633023 Stud	2
7	807513 Bolt, Carriage #10-24x1/2 G2	2	42	805257 Washer, Flat SAE 5/16	4
8	804252 Nut, Nyloc #10-24	2	43	633349 Spring, Fuel tank	2
9	323129 Cable, Throttle Control (Koh & Kaw 14 HP)	1	44	805005 Washer, Lock Hlcl Spg 5/16 Hvy	2
	413428 Cable, Throttle Control (17hp Kaw) .	1	45	804256 Nut, Nyloc 5/16-18	2
10	∇ 412185 Lever, Wldmt OPC RH	1	46	800271 Screw, Hex Cap 5/16-18x3/4	2
11	303020 Grip, Lever	1	47	513645 Bushing, Fuel Valve	1
12	414234 Clutch Lever w/Grip	1	48	543277 Elbow w/Screen	1
13	804257 Nut, Nyloc 3/8-16	1	49	303077 Clamp, Fuel line (17hp Kaw)	4
14	805260 Washer, Flat Std 3/8	2		303077 Clamp, Fuel line (14hp Kaw)	5
15	413088 Spacer	1		303077 Clamp, Fuel line (Koh)	6
16	806003 Pin, Hair Cotter .0585 #2	3	50	603955 Hose, Fuel line 6"	1
17	413293 Linkage, Upper	1	51	603770 Valve, Fuel	1
18	413279 Turnbuckle, 3/8-16 SS	1	52	603776 Hose, Fuel line 2.5" (14hp Kaw & Koh	1
19	804507 Nut, Reg Hex 3/8-16	1		303022 Hose, Fuel line 12" (17hp Kaw)	1
20	303097 Grip, Handle	2	53	303197 Filter, Fuel	1
21	800259 Screw, Hex Cap 1/4-20x2 1/4	2	54	303471 Hose, Fuel line 12" (Kaw 14 HP)	1
22	303435 Washer, Disc Spring 1/4	6		603954 Hose, Fuel line 13.75" (Koh)	1
23	324279 Latch, thumb LH w/grip	1	55	303308 Clamp, Fuel line (14hp Kaw)	1
	324280 Latch, thumb RH w/grip	1	56	403121 Switch, On/Off (17hp Kaw)	1
24	303019 Grip, Latch	2		603511 Key, Ignition	1
25	323549 Spacer	2	57	800252 Screw, Hex Cap 1/4-20x3/4	1
26	804255 Nut, Nyloc 1/4-20	3	58	633181 Plate, Tapped	2
27	800295 Screw, Hex Cap 3/8-16x1-3/4	1	59	809007 Nut, Whizlock 3/8-16	4
28	412449 Handle Wldmt	1	60	803028 Screw, Mach CRPH 10-24x5/8	4
29	806340 Pin, Roll 5/16x1.....	2	61	513051 Switch, Neutral Lockout	2
30	803001 Nut, Pal 3/16	2	62	323229 Clip, 3/8 Loom	2
31	302006 Lever, Drive w/grip	2	63	303287 Tie, Plastic	4
32	808250 Pin, Clevis 3/16x1 3/4	2	64	323430 Module, Wiring Harness	1
33	303021 Grip, Drive Lever	1	65	• 413360 Harness, Wiring (14hp Kaw)	1
34	808286 Pin, Clevis 5/16x1 7/8	2		• 413357 Harness, Wiring (Koh)	1
35	413338 Linkage, Drive Wheel	2		• 413455 Harness, Wiring (17hp Kaw)	1
			66	805256 Washer, Flat Std 1/4	1

- ♦ Use Pro-lock nut type, Part No. 840022 (.5ml tube) on setscrew threads
 - ∇ Use Pro-lock retaining type, Part No. 840023 (.5ml tube) on inside of bore of OPC hub and on fuel tank stud
 - Use dielectric grease on all electrical connectors.
- Exmark black touch spray paint - Gloss black

UPPER HANDLES and CONTROLS



DECALS



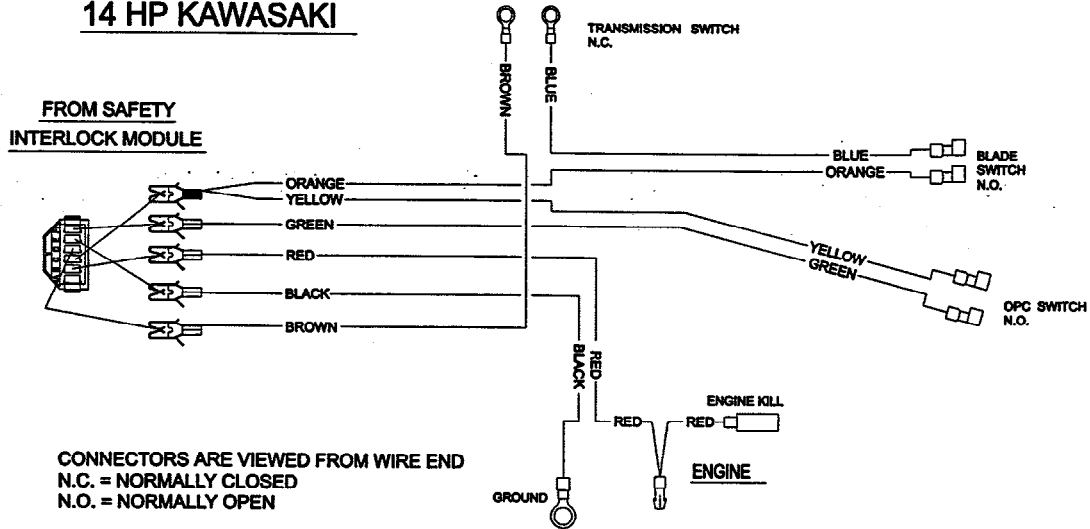
Ref. No.	Part No.	Description	Qty. Req'd.
1	373066	Decal, Patent Pending	1
2	323689	Decal, Throttle/Choke (Koh&14hpKaw).	1
3	323691	Decal, Throttle (17hp Kaw)	1
4	323699	Decal, Console (17hp Kaw)	1
5	323688	Decal, Console (Koh & 14hp Kaw)	1
6	303293	Decal, 2 Min Cool	1
7	413371	Decal, MHP-swash	1
8	303520	Decal, Trivantage	1
9	323550	Decal, Neutral/P.Brake	2
10	403005	Decal, Danger (36)	1
	403005	Decal, Danger (48" & 52")	2
11	513746	Decal, Muffler	2
12	323312	Decal, Sm Metro Console	1

Ref. No.	Part No.	Description	Qty. Req'd.
13	323540	Decal, Roller Mounting	1
14	403143	Decal, Sulky Warning	1
15	303517	Decal, Belt Drive	1
16	303518	Decal, Shifter	1
17	413206	Decal, Belt Routing (36")	1
18	413327	Decal, Belt Routing (48" & 52")	1
19	553049	Decal, Mower deck	1
20	413421	Decal, Indicator	1
21	403131	Decal, Commercial 48	1
22	403132	Decal, Commercial 52	1
23	323411	Decal, Commercial 36	1
24	303508	Decal, Discharge Warning	1
	414395	Decal Kit	1

WIRING DIAGRAMS

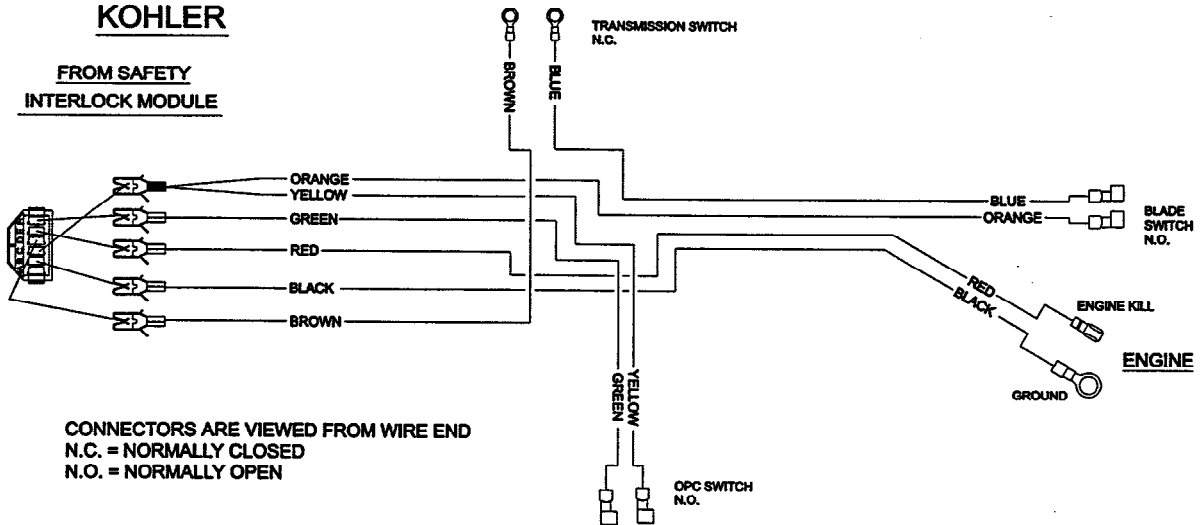
14 HP KAWASAKI

**FROM SAFETY
INTERLOCK MODULE**



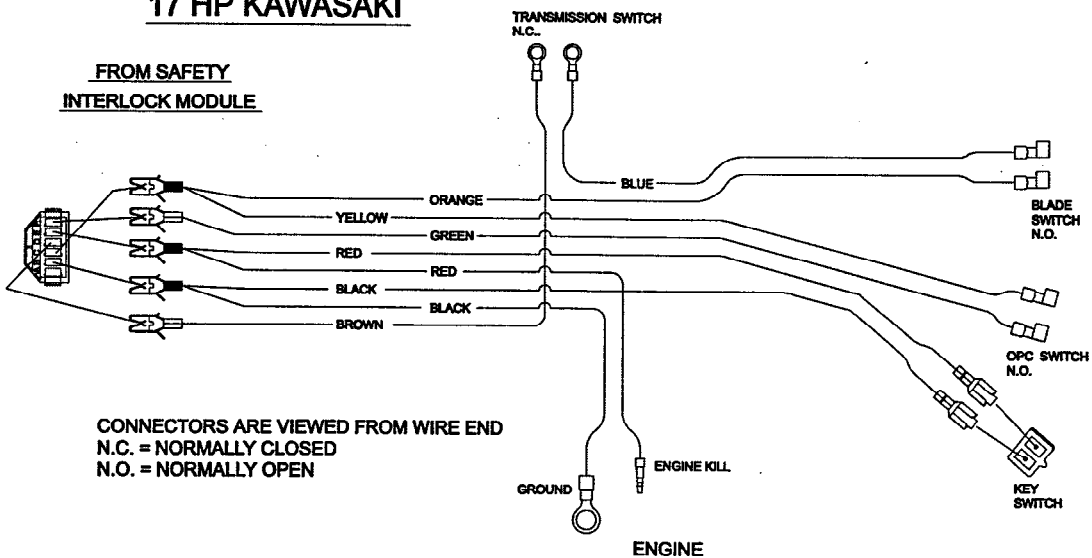
KOHLER

**FROM SAFETY
INTERLOCK MODULE**



17 HP KAWASAKI

**FROM SAFETY
INTERLOCK MODULE**



NOTES

**SEE EXMARK'S COMPLETE
LINE OF PRODUCTS FOR TURF CARE**

LAZER Z™

LAZER Z™ HP

EXPLORER®

TURF RANGER®

TURF TRACER®

TURF TRACER® HP

VIKING HYDRO

METRO™

METRO™ HP

SELF STEERING SULKY

GRASS CATCHER

MICRO-MULCH™ ACCESSORY

©1997,1998 EXMARK MFG. CO. INC.
INDUSTRIAL PARK BOX 808
BEATRICE, NE 68310

PART NO. 850615
(402) 223-6300
FAX (402) 223-5489

ALL RIGHTS RESERVED

PRINTED IN U.S.A.

