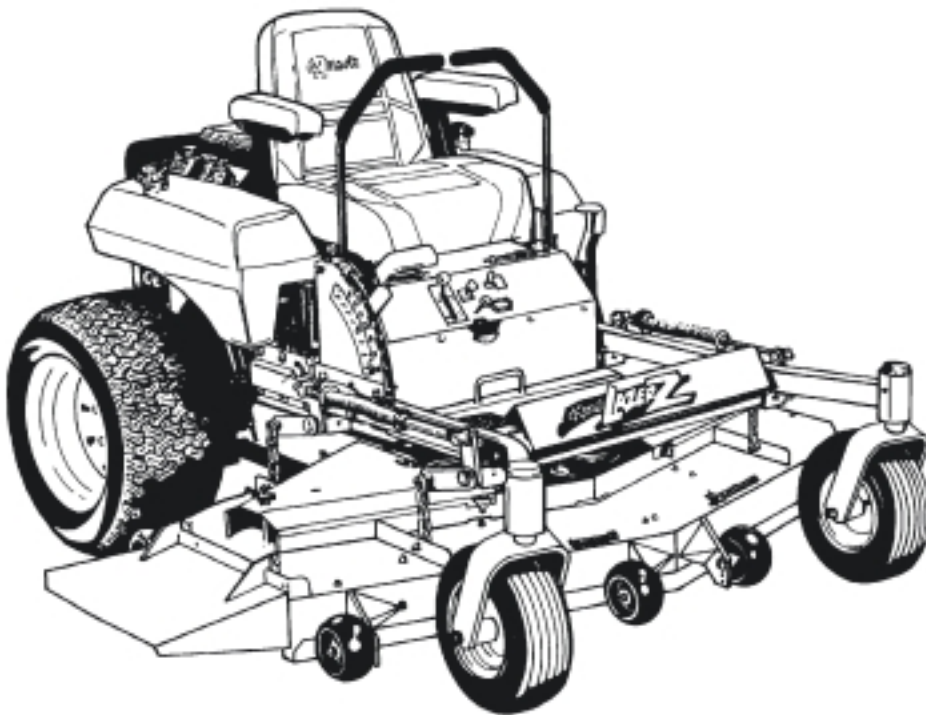


For Serial Nos.  
190,000 & Higher



PARTS MANUAL

# LAZER Z™

**CONGRATULATIONS** on the purchase of your new Exmark mower. This product has been carefully designed and manufactured to give you a maximum amount of dependability and years of trouble-free operation.

If additional information is needed, or should you require trained mechanic service, contact your authorized Exmark equipment dealer or distributor.

If you need to order replacement parts from your dealer, always give the model number and serial number of your mower as well as the part number, description and quantity of the part needed.

The Serial No. plate is located on the right side of the console.

For ease of ordering and reference, we suggest that you record the information requested in the following identification table.

Model No. \_\_\_\_\_

Serial No. \_\_\_\_\_

Engine Model No. \_\_\_\_\_

Engine Serial No. \_\_\_\_\_

Date Purchased \_\_\_\_\_

Paste Label From  
Literature Packet Here

## EXMARK PARTS PLUS® PROGRAM

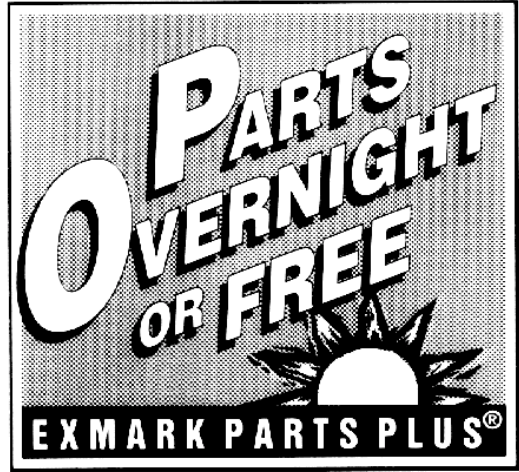
**EFFECTIVE DATE: September 1, 1995**

### Program

If your Exmark dealer does not have the Exmark part in stock, Exmark will get the parts to the dealer the next business day or the part will be FREE\* Guaranteed!!

### *How the Program Works*

1. If dealer does not have part in stock for a "down" unit at the time of request by customer, the dealer contacts his distributor by 1:00 p.m., local time, and requests Exmark Parts Plus® shipment of six (6) line items or less.
2. Distributor ships part(s) to dealer or customer, as requested by dealer, same day, overnight UPS Distributor bills dealer for part and freight charges where applicable.
3. If distributor does not have the part(s) in stock to satisfy Exmark Parts Plus® order, he contacts Exmark by 3:00 p.m., central time, with an Exmark Parts Plus® order of six (6) line items or less.
4. If order is received by 3:00 p.m. central time, Exmark ships part(s) direct to dealer or customer, as requested by distributor, same day, overnight UPS Exmark bills the distributor for parts and shipping charges, where applicable.
5. The customer pays for the part and freight if it is shipped under the Exmark Parts Plus® and if it arrives in accordance to the program.
6. Who pays for the part and freight if it fails to arrive overnight in accordance to the program?
  - A. Under any circumstance the customer does not pay.
  - B. If the part does not arrive overnight due to:
    1. The dealer not submitting the Exmark Parts Plus® order to his Exmark distributor by 1:00 p.m., the dealer pays for the part and freight.
    2. The Distributor being unable to ship the part the same day or not submitting the Exmark Parts Plus® order to Exmark by 3:00 p.m., central time, the Distributor pays for the part and freight.
    3. Exmark being unable to ship the part and the Exmark parts order is received by 3:00 p.m., central time, Exmark pays for the part and freight.
    4. If the part does not arrive overnight due to the shipper (UPS), the shipper pays for the freight and Exmark pays for the part.



**The following restrictions apply** -- The Exmark Parts Plus® Program is available only through participating Exmark Dealers and applies only to orders submitted on this program Monday through Thursday. UPS has initiated a Saturday delivery program to many areas of the continental United States and can be requested for an overnight shipment on Friday to be delivered Saturday. The next day air charge, plus the Saturday delivery fee will be the responsibility of the purchaser. Exmark Mfg. will assume no responsibility for Saturday delivery shipments. To qualify, all Exmark Parts Plus® orders must be received by Exmark by 3:00 p.m., central time. Orders must be six (6) line items or less. Exclusions from the Exmark Parts Plus® Program are: Any wholegood or accessory in its entirety, engines and engine replacement parts, 5-speed Peerless transmissions and 5-speed transaxles, hydraulic or hydrostatic wheel motors, cutter decks and engine decks or any item exceeding United Parcel Service size and weight restrictions.

Due to UPS restrictions, aerosol spray paint is considered a hazardous material and cannot be shipped via UPS next day or Second Day Air.

Exmark Manufacturing stocks a limited supply of parts for transaxles, pumps and wheel motors. These parts can be ordered for Next Day Air shipment but will not be guaranteed per the Parts Plus Program.



**READ OPERATOR'S MANUAL BEFORE  
OPERATING OR SERVICING EXMARK EQUIPMENT.**

**TABLE OF CONTENTS**

<b><u>Description</u></b>	<b><u>Page</u></b>
Decal Group .....	27-28
Electrical Diagram .....	31-34
Electrical Group.....	29-31
Engine Deck Group .....	18-24
Front Frame Group.....	9-10
Fuel Group .....	12-14
Hydraulics Group.....	25-26
Main Frame Group .....	11
Motion Control Levers .....	17
Park Brake Group .....	15-16
Parts Plus Program .....	1
52" Deck Group.....	3-4
60" Deck Group.....	5-6
72" Deck Group.....	7-8

**52" DECK GROUP**

Ref. No.	Part No.	Description	Qty. Req'd.	Ref. No.	Part No.	Description	Qty. Req'd.
1	642053	Deck wldmt, 52" .....	1	41	633366	Belt, blade drive 52" Deck.....	1
	634536	Deck wldmt, 52" w/decals .....	1	42	633447	Chain.....	4
2	805259	Washer, 3/8 SAE.....	3	43	800811	Screw, 7/16-14 x 1-1/2.....	8
3	323533	Spacer, shv/brg .....	3	44	800271	Screw, 5/16-18 x 3/4 .....	2
4	513208	Washer, disc spring .....	6	45•	403087	Sheave, blade drive 6.75 OD..	1
5	303334	Washer, 5/16 disc spring .....	1	46•	633010	Pulley, split sheave 6.30 OD... 1	
6	809001	Nut, 5/16-18 whizloc.....	14	47◊	803046	Setscrew, 5/16-18 x 1sqhdcp.. 1	
7	602913	Baffle wldmt, discharge .....	1	48◊	803022	Setscrew,5/16-18x5/8sqhdcp .2	
8	800270	Screw, 5/16-18 x 5/8 .....	5	49	807264	Key, 1/4 sq x 2 5/8 .....	1
9	603299	Roller, antiscalp.....	6	50	633012	Jackshaft, deck drive .....	1
10	809007	Nut, 3/8-16 whizlock .....	12	51*	634620	Cutter housing complete .....	3
11	373034	Washer, pivot .....	7	52	800304	Screw, 3/8-16 x 3 1/4 .....	1
12	603602	Bushing, roller .....	6	53	633014	Bracket, jackshaft .....	1
13	303327	Washer, 3/8 disc spring .....	10	54	807503	Bolt, 5/16-18 x 3/4 Carr.....	6
14	800807	Screw, 3/8-16 x 4 gr 8 .....	6	55	513013	Housing, flange .....	4
15	602571	Chute, discharge 52" .....	1	56	513012	Bearing w/lock collar & ss .....	2
16	800273	Screw, 5/16-18 x 1 .....	3	57	633573	Guard, Brg bottom .....	3
17	804256	Nut, 5/16-18 nyloc .....	4	58	807507	Bolt, 3/8-16 x 1 carr.....	4
18	633357	Shield, belt 52" .....	2	59	632690	Strut wldmt, deck .....	2
19	323385	Knob, belt shield.....	6	60	634619	Housing w/ring, spacer, & brg .3	
20	322110	Belt guide wldmt.....	1	61	633029	Spherical rod end.....	2
21	800848	Screw, 5/8-11 x 1 gr 8 .....	3	62◊	803050	Setscrew, 5/16-18 x .75sqhd .. 1	
22	800297	Screw, 3/8-16 x 2 1/4 .....	2	63	800343	Screw, 5/8-11 x 5 .....	2
23	303537	Stud, belt shield.....	2	64	805010	Lockwasher, 5/8 reg.spring.....	2
24	805258	Washer 5/16 std flat.....	4	65	811006	Zerk, 1/4-28 straight.....	4
25	323417	Washer, rubber .....	2	66	632199	Pin wldmt, deck strut.....	2
26	633151	Spring, extension.....	1	67	804510	Nut, 5/8-18 hex .....	5
27	632119	Arm wldmt, deck idler.....	1	68	807006	Key, # 61 Woodruff .....	3
28	513034	Bearing, pivot .....	2	69•	633701	Sheave, blade drive .....	3
29	634244	Arm wldmt/brg sub-assy.....	1	70	513016	Bearing.....	6
30	603044	Bushing, idler pivot.....	1	71	323532	Housing ,bearing .....	3
31	811008	Zerk, 1/4-20 90° .....	1	72	323528	Spacer, bearing.....	3
32	805260	Washer, 3/8 std flat .....	1	73	800293	Screw, Hex cap 3/8 x 1 1/4.....	18
33	804257	Nut, 3/8-16 nylock .....	20	74	808502	Snap Ring .....	3
34	800299	Screw, 3/8-16 x 2 3/4 .....	1	75	633574	Spindle .....	3
35	633109	Idler pulley 6.00 dia flat.....	2	76	633482	Blade, notched air foil. ....	3
36	803016	Bolt, 3/8-16 x 1 whizlock.....	1		613251	Blade, solid air foil.....	3
37	633456	Bushing, Idler .....	2		633485	Blade, low lift.....	3
38	804522	Nut, 5/8-11 hex.....	2	◆	633484	Blade, mulching .....	3
39	809073	Nut, 7/16-14 whizlock .....	16	77	634546	Jackshaft S/A.....	1
40	603805	Idler pulley 5.06 O.D V .....	1	78	634726	Strut wldmt S/A .....	2

◆ Requires installation of Micro-Mulch accessory for proper mulching. Mulch kit P/N MK523

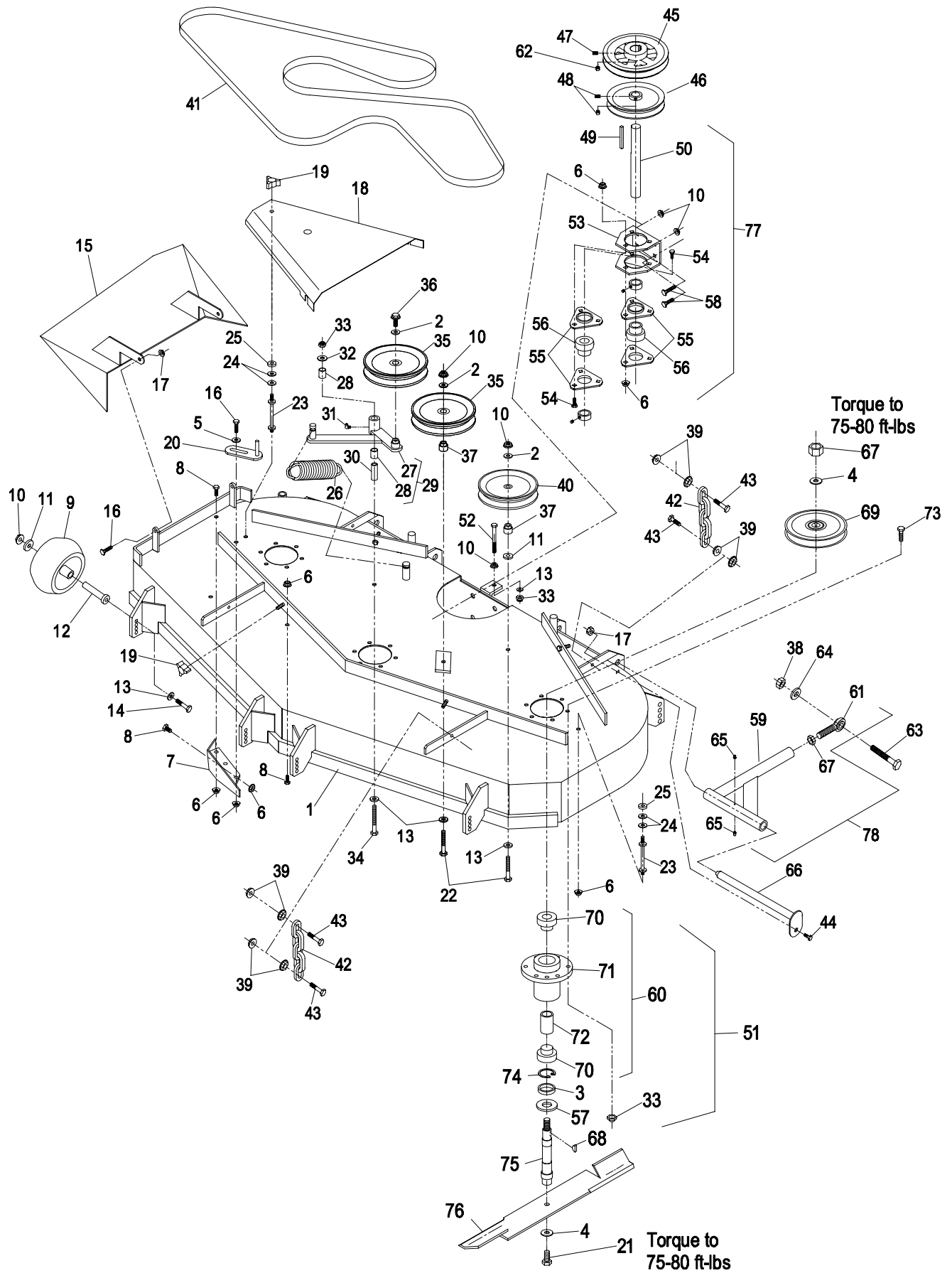
• Use antiseize on bore of sheaves.

◊ Use Pro-lock Nut Type (P/N 840022 .5 ml. tube) on setscrews.

Exmark red touch up spray paint - P/N 850337

\* Cutter housing complete includes sheave, washer, and nut.

### 52" DECK GROUP



**60" DECK GROUP**

Ref. No.	Part No.	Description	Qty. Req'd.	Ref. No.	Part No.	Description	Qty. Req'd.
1	632958	Deck wldmt, 60.....	1	42	633447	Chain .....	4
	634983	Deck wldmt, 60 w/decals.....	1	43	800811	Screw, 7/16-14 x 1-1/2 .....	8
2	634619	Housing w/ring, spacer, brg....	3	44	800271	Screw, 5/16-18 x 3/4 .....	2
3	805259	Washer, 3/8 SAE.....	3	45•	303498	Sheave, blade drive 6.13 OD. 1	
4	513208	Washer, disc Spring .....	6	46•	633010	Pulley, split 6.30 OD(23hp&25hp)1	
5	303334	Washer, 5/16 disc spring.....	1		643292	Pulley, split 6.71 OD (26hp Koh) 1	
6	809001	Nut, 5/16-18 whizlock .....	14	47◇	803046	Setscrew, 5/16-18 x 1sqhdcp. 1	
7	602913	Baffle wldmt, discharge .....	1	48◇	803022	Setscrew,5/16-18x5/8sqhdcp 2	
8	800270	Screw, 5/16-18 x 5/8.....	5	49	807264	Key, 1/4 sq x 2 5/8.....	1
9	603299	Roller, antiscalp.....	6	50	633012	Jackshaft, deck drive.....	1
10	809007	Nut, 3/8-16 whizlock .....	10	51	804522	Nut, 5/8-11 hex.....	2
11	373034	Washer, pivot .....	7	52	800304	Screw, 3/8-16 x 3 1/4 .....	1
12	603602	Bushing, roller.....	6	53	633014	Bracket, jackshaft.....	1
13	303327	Washer, 3/8 disc spring.....	10	54	807503	Bolt, 5/16-18 x 3/4 Carr. ....	6
14	800807	Screw, 3/8-16 x 4 gr 8 .....	6	55	513013	Housing, flange .....	4
15	632939	Chute, discharge 60" .....	1	56	513012	Bearing w/lock collar & ss .....	2
16	800273	Screw, 5/16-18 x 1.....	3	57*	634972	Cutter housing complete .....	3
17	804256	Nut, 5/16-18 nylock.....	4	58	807507	Bolt, 3/8-16 x 1 carr .....	4
18	633084	Shield, belt 60".....	2	59	632690	Strut wldmt, deck.....	2
19	323385	Knob, belt shield.....	6	60	323533	Spacer shv/brg .....	3
20	322110	Belt guide wldmt .....	1	61	633029	Spherical rod end .....	2
21	800848	Screw, 5/8-11 x 1 gr 8 .....	3	62◇	803050	Setscrew, 5/16 x 3/4sqhdcp ...	1
22	800297	Screw, 3/8-16 x 2 1/4.....	2	63	800343	Screw, 5/8-11 x 5 .....	2
23	303537	Stud, belt shield .....	2	64	805010	Lockwasher, 5/8 reg.spring ....	2
24	805258	Washer 5/16 std flat .....	4	65	811006	Zerk, 1/4-28 straight .....	4
25	323417	Washer, rubber.....	2	66	632199	Pin wldmt, deck strut .....	2
26	633151	Spring, extension.....	1	67	804510	Nut, 5/8-18 hex.....	5
27	632119	Arm wldmt, deck idler.....	1	68	807006	Key, # 61 Woodruff.....	3
28	513034	Bearing, pivot.....	2	69•	633701	Sheave, Blade drive. ....	3
29	634244	Arm wldmt/brg sub-assy.....	1	70	513016	Bearing .....	6
30	603044	Bushing, idler pivot .....	1	71	323532	Housing, bearing .....	3
31	811008	Zerk, 1/4-20 90°.....	1	72	323528	Spacer, bearing .....	3
32	805260	Washer, 3/8 std flat .....	1	73	633573	Guard, brg bottom .....	3
33	804257	Nut, 3/8-16 nylock.....	20	74	808502	Snap Ring.....	3
34	800299	Screw, 3/8-16 x 2 3/4.....	1	75	633942	Spindle.....	3
35	633109	Idler pulley 6.00 dia flat.....	2	76	633483	Blade, notched air foil.....	3
36	803016	Bolt, 3/8-16 x 1 whizlock.....	1		613250	Blade, solid air foil .....	3
37	633456	Bushing, Idler.....	2		613111	Blade, low lift .....	3
38	800293	Screw, 3/8-16 x 1 1/4.....	18	◆	613112	Blade, mulching.....	3
39	809073	Nut, 7/16-14 whizlock .....	16	77	634546	Jackshaft S/A .....	1
40	603805	Idler pulley 5.06 O.D. V.....	1	78	634726	Strut wldmt S/A.....	2
41	633127	Belt, blade drive 60" deck.....	1		634772	Strut wldmt S/A (26hp Koh)....	2

- ◆ Requires installation of Micro-Mulch accessory for proper mulching. Mulch kit P/N MK604
- Use antiseize on bore of sheaves.
- ◇ Use Pro-lock Nut Type (P/N 840022 .5 ml. tube) on setscrews.  
Exmark red touch up spray paint - P/N 850337
- \* Cutter housing complete includes sheave, washer, and nut.



**72" DECK GROUP**

Ref. No.	Part No.	Description	Qty. Req'd.	Ref. No.	Part No.	Description	Qty. Req'd.
1	643052	Belt, Blade drive 72" .....	1	39	633029	Spherical rod end .....	2
2	323385	Knob, belt shield .....	6	40	800343	Screw, 5/8-11 x 5 .....	2
3	643076	Shield, belt 72" RH .....	1	41	642073	Strut wldmt, deck.....	2
*	643075	Shield, belt 72" LH .....	1	42	632199	Pin wldmt, deck strut .....	2
4	803016	Bolt, 3/8-16 x 1 whizlock.....	1	43	811006	Zerk, 1/4-28 straight .....	4
5	805259	Washer, 3/8 SAE.....	3	44	800293	Screw, 3/8-16 x 1 1/4 .....	18
6	633109	Idler pulley 6.00 dia flat.....	2	45	323417	Washer, rubber .....	2
7	633151	Spring, extension.....	1	46	805258	Washer 5/16 std flat .....	4
8	809007	Nut, 3/8-16 whizlock .....	13	47	303537	Stud, belt shield .....	2
9	633456	Bushing, Idler.....	2	48	642077	Deck weldment, 72".....	1
10	805260	Washer, 3/8 std flat .....	3		644149	Deck weldment, 72" w/decals.	1
11	373034	Washer, pivot .....	8	49	513016	Bearing .....	6
12	804257	Nut, 3/8-16 nyloc .....	20	50	323532	Housing, bearing .....	3
13	513034	Bearing, pivot.....	2	51	323528	Spacer, bearing .....	3
14	632119	Arm wldmt, deck idler .....	1	52	808502	Snap Ring.....	3
15	603044	Bushing, idler pivot .....	1	53	323533	Spacer shv/brg .....	3
16	800304	Screw, 3/8-16 x 3 1/4.....	1	54	633573	Guard, brg bottom .....	3
17	804510	Nut, 5/8-18 hex .....	5	55	643116	Spindle.....	3
18	513208	Washer, disc spring.....	6	56	807006	Key, # 61 Woodruff.....	3
19•	643269	Sheave, Blade drive. ....	3	57	643006	Blade, notched air foil.....	3
20•	303498	Sheave, blade drive 6.13 OD.	1	♦	643097	Blade, mulching.....	3
21•	633010	Pulley, split 6.30 OD (23&25hp)	1	58	800848	Screw, 5/8-11 x 1 gr 8 .....	3
	643292	Pulley, split 6.71 OD (26hp Koh)	1	59	800297	Screw, 3/8-16 x 2 1/4 .....	2
22	633012	Jackshaft, deck drive.....	1	60	800299	Screw, 3/8-16 x 2 3/4 .....	1
23	807264	Key, 1/4 sq x 2 5/8.....	1	61	602913	Baffle wldmt, discharge .....	1
24◇	803046	Setscrew, 5/16-18 x 1sqhdcp.	1	62	800270	Screw, 5/16-18 x 5/8 .....	5
25◇	803050	Setscrew, 5/16 x 3/4sqhdcp ...	1	63	800807	Screw, 3/8-16 x 4 gr8 .....	6
26◇	803022	Setscrew,5/16-18x5/8sqhdcp	2	64	603602	Bushing, roller.....	6
27	809001	Nut, 5/16-18 whizlock .....	14	65	603299	Roller, anti-scalp.....	6
28	807507	Bolt, 3/8-16 x 1 carr .....	4	66	800273	Screw, 5/16-18 x 1 .....	4
29	807503	Bolt, 5/16-18 x 3/4 Carr. ....	6	67	642071	Chute, discharge 72".....	1
30	633014	Bracket, jackshaft.....	1	68	804256	Nut, 5/16-18 nyloc .....	4
31	513013	Housing, flange.....	4	69	811008	Zerk, 1/4-20 90°.....	1
32	513012	Bearing w/lock collar & ss.....	2	70	603805	Idler pulley 5.06 O.D. V .....	1
33	303327	Washer, 3/8 disc spring.....	10	71	634619	Housing w/ring, spacer, brg....	3
34	809073	Nut, 7/16-14 whizlock .....	16	72*	644092	Cutter housing complete .....	3
35	800811	Screw, 7/16-14 x 1-1/2 .....	8	73	634546	Jackshaft S/A .....	1
36	633447	Chain .....	4	74	634244	Arm wldmt/brg sub-assy.....	1
37	804522	Nut, 5/8-11 hex .....	2	75	644074	Strut wldmt S/A .....	2
38	805010	Lockwasher, 5/8 reg.spring ....	2		644287	Strut wldmt S/A (26hp Koh)....	2

- ♦ Requires installation of Micro-Mulch accessory for proper mulching. Mulch kit P/N MK724.
- Use antiseize on bore of sheaves.
- ◇ Use Pro-lock Nut Type (P/N 840022 .5 ml. tube) on setscrews.  
Exmark red touch up spray paint - P/N 850337
- \* Cutter housing complete includes sheave, washer, and nut.



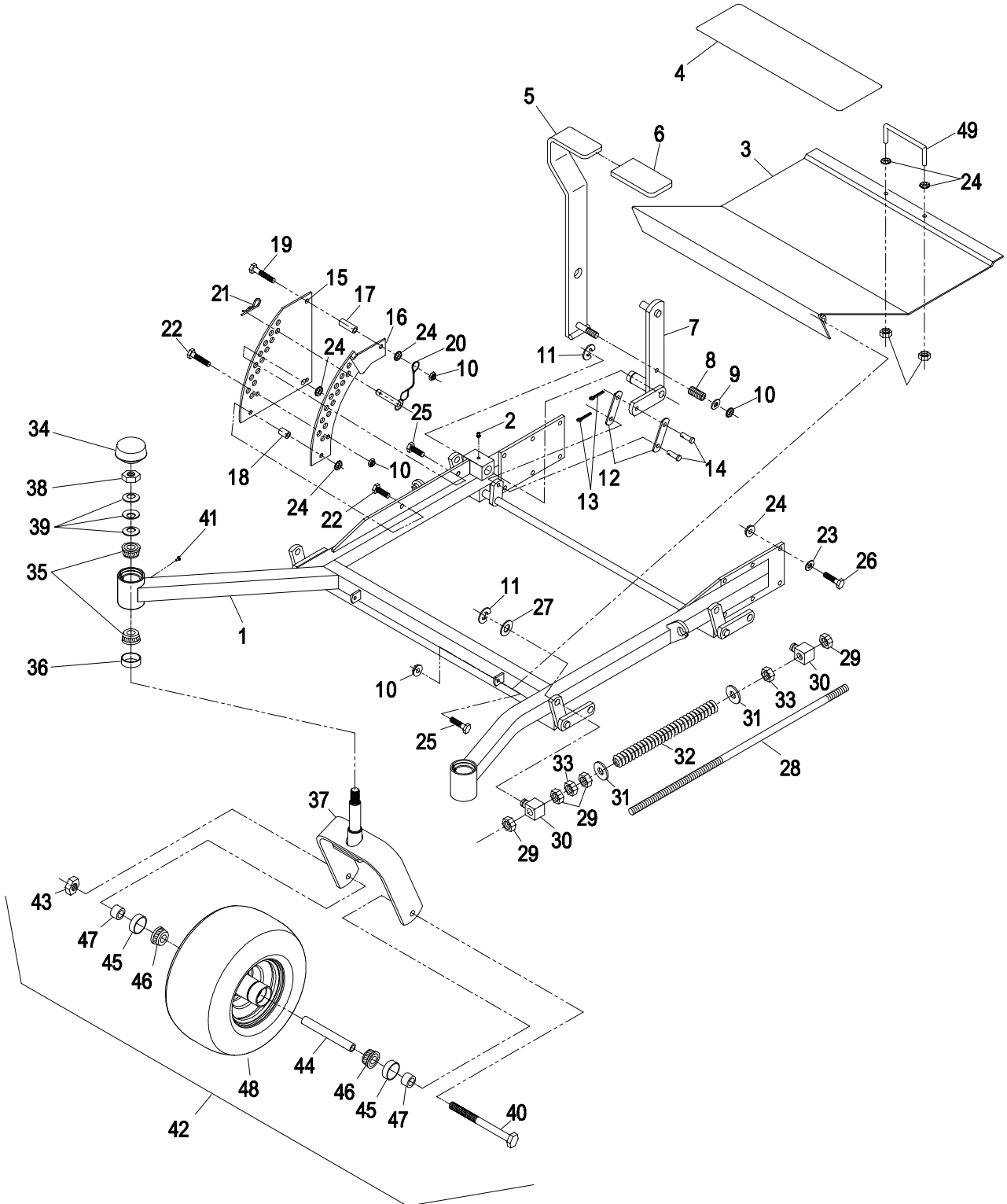


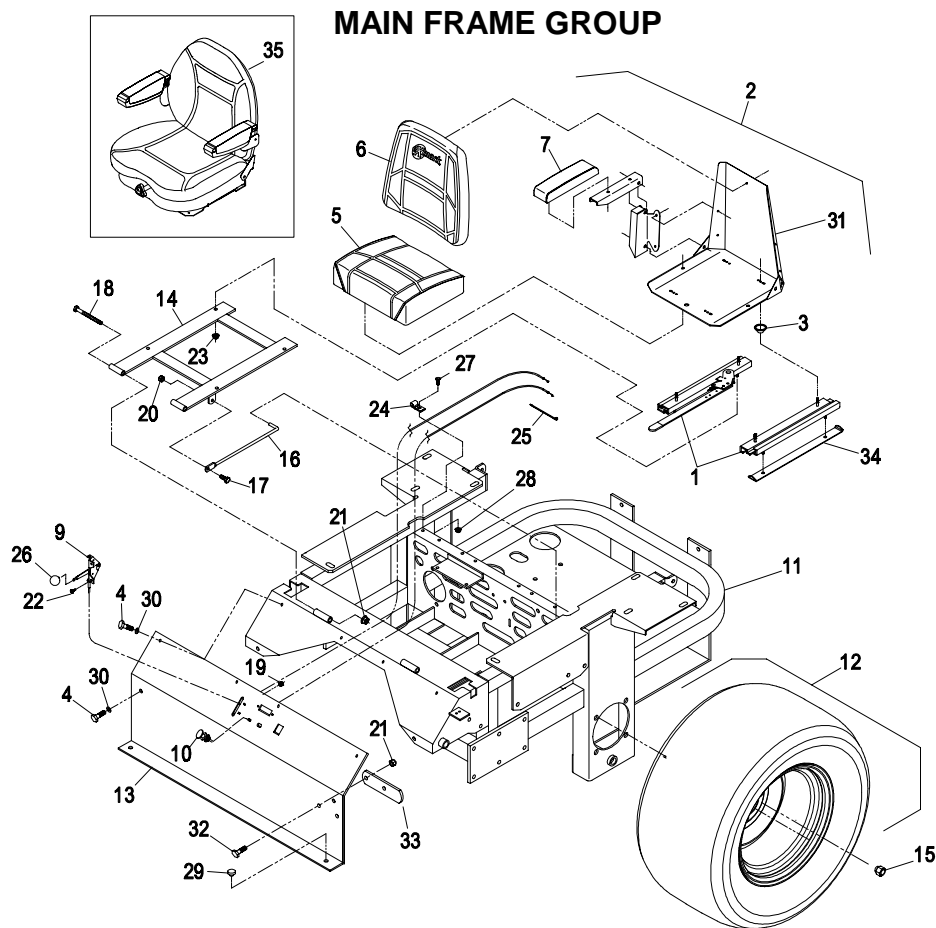
**FRONT FRAME GROUP**

Ref. No.	Part No.	Description	Qty. Req'd.	Ref. No.	Part No.	Description	Qty. Req'd.
1	632518	Frame wldmt, front 52".....	1	32	633064	Spring, deck support (52" & 60")	2
	632513	Frame wldmt, front 60".....	1		643015	Spring, deck support (72").....	2
	642046	Frame wldmt, front 72".....	1	33	804755	Jam nut, 5/8-11.....	4
2	811006	Zerk, 1/4-28 straight.....	5	34	543513	Cap, grease.....	2
3	633556	Floorpan.....	1	35	543509	Bearing cone, tapered roller ...	4
4	633553	Pad, anti skid.....	3		543508	Bearing cup, tapered roller.....	4
5	634312	Lever w/grip.....	1	36	543511	Seal, grease.....	2
	632324	Lever wldmt, lift.....	1	37	632511	Caster wldmt (52" Koh).....	2
6	633295	Grip, lift lever.....	1		642111	Caster wldmt (52" Kaw, 60" & 72")	2
7	632219	Arm wldmt, deck lift.....	1	38	804266	Nut, 3/4-10 nylock.....	2
8	633325	Spring, compression.....	1	39	633508	Washer, spring disk.....	6
9	805259	Washer, 3/8 SAE flat.....	1	40	800339	Screw, 1/2-13x7 1/2 (52" Koh)....	2
10	804257	Nut, nylock 3/8-16.....	5		800335	Screw. 1/2-13x9(52" Kaw, 60" & 72")	2
11	808505	E-ring.....	5	41	811010	Plug.....	2
12	633068	Arm, deck lift.....	2	42	634662	Caster wheel assy (52" Koh)...	2
13	806761	Cotter pin, 1/8 x 3/4.....	2		644251	Caster wheel assy (52" Kaw, 60" & 72").....	2
14	808284	Clevis pin, 3/8 x 1.....	2	43	804269	Nut, 1/2-13 nylock.(light thin)..	2
15	633889	Plate, deck lift.....	1	44	633579	Spacer, front caster (52" Koh)	2
16	632899	Plate wldmt, deck lift.....	1		633959	Spacer, front caster (52" Kaw, 60" & 72").....	2
17	633082	Bushing, lift lever.....	1	45	633580	Seal, bearing.....	4
18	633080	Bushing, lift lever.....	1	46	633585	Bearing cone.....	4
19	800299	Screw, 3/8-16 x 2 3/4.....	1	47	633581	Spacer, bearing.....	4
20	633097	Hitch pin w/lanyard.....	1	48	633582	Wheel & tire assy (52" Koh)....	2
21	806005	Hairpin cotter (serv only).....	1		633002	Tire,13x5.0-6 4 ply (52" Koh)...	2
22	800295	Screw, 3/8-16 x 1 3/4.....	2		633583	Wheel (52" Koh).....	2
23	303327	Washer, 3/8 disc spring.....	12		633971	Wheel & tire assy (52" Kaw, 60" & 72").....	2
24	809007	Nut, whizlock 3/8-16.....	19		523009	Tire, 13x6.5-6 4 ply (52" Kaw, 60" & 72").	2
25	800292	Screw, 3/8-16 x 1.....	3		633987	Wheel (52" Kaw, 60" & 72").....	2
26	800293	Screw, 3/8-16X1 1/4.....	12		633584	Bearing cup.....	4
27	805271	Washer, 7/8 SAE flat.....	4	49	633587	Handle.....	1
28	633096	Rod, deck lift.....	2				
29	804522	Nut, 5/8-11 regular.....	8				
30	633441	Swivel, deck mount.....	4				
31	805268	Washer, 5/8 std flat.....	4				

Exmark red touch up spray paint - P/N 850337

### FRONT FRAME GROUP





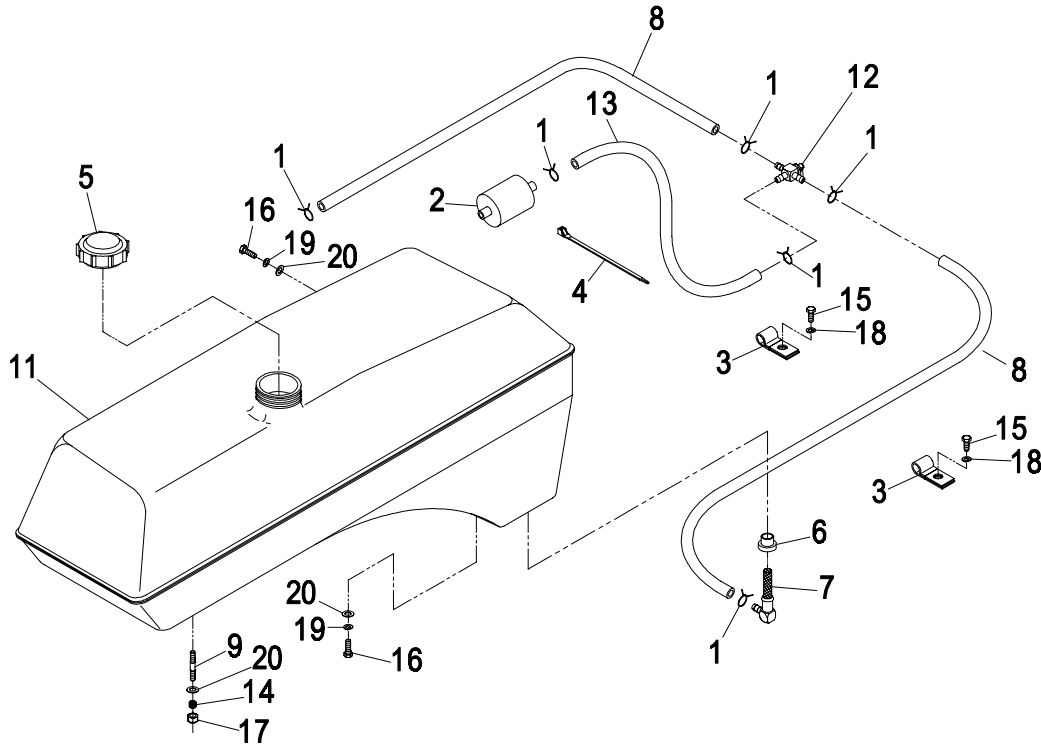
Ref. No.	Part No.	Description	Qty. Req'd.	Ref. No.	Part No.	Description	Qty. Req'd.
1	643255	Track, seat (4" adjustable) .....	1	20	804256	Nut, nylock 5/16-18 .....	1
2	633461	Seat (All units except 26hp Koh) .....	1	21	804257	Nut, nylock 3/8-16 .....	2
3	543401	Spacer, seat track .....	4	22	807513	Screw, #10-24 x 1/2 .....	2
4	800271	Screw, 5/16-18 x 3/4 .....	6	23	809001	Nut, whizlock 5/16-18.....	4
5	543407	Cushion, seat .....	1	24	513762	Clip, loom (.50).....	1
6	543408	Cushion, backrest.....	1	25	303335	Plastic tie (lrg) .....	1
7	543409	Cushion, armrest (RH) .....	1	26	513592	Ball, (red) throttle cable .....	1
8*	543411	Cushion armrest (LH).....	1	27	800252	Screw, 1/4-20 x 3/4 .....	1
9	633696	Cable, throttle .....	1	28	809012	Nut, whizlock 1/4-20.....	1
10	603336	Cable, choke .....	1	29	513658	Bumper .....	2
11	632923	Frame, engine deck .....	1	30	805257	Washer, 5/16 SAE flt .....	6
12	633970	Wheel/tire assy. (60" & 72") ...	2	31	633859	Seat Frame .....	1
	633993	Tire, 24x12-12 4 ply (60" & 72")	2	32	800292	Screw, 3/8-16 x 1 .....	2
	633992	Wheel (60" & 72").....	2	33	633964	Stop, Park Brake.....	1
	653010	Wheel/tire assy. (52").....	2	34	633872	Stop/Spacer (26hp Koh & 22hp Kaw)	2
	653160	Tire, 23x9.5-12 4 ply (52") .....	2	35	633821	Seat, Suspension (26hp Koh only)	1
	653158	Wheel (52") .....	2		631845	Kit, Pan w/seat & back .....	1
13	633965	Front, Console.....	1		631844	Kit, Armrest Assy .....	1
14	632187	Frame, seat mount.....	1		631843	Kit, Boot, upper & lower wire...	1
15★	513011	Nut, wheel 1/2-20 .....	8		631842	Kit, Armrest Pad w/hardware ..	1
	633273	Bolt, wheel 1/2-20 x7/8.....	8		631846	Kit, Damper w/hardware .....	1
16	633293	Rod, seat hold-up .....	1		631847	Kit, Rollers, bumpers & hrdwre	1
17	800273	Screw, 5/16-18 x 1 .....	1		631848	Kit, Spring & Cable & hardware	1
18	800306	Screw, 3/8-16 x 5 .....	2		631849	Kit, Knob & Shaft & hardware .	1
19	804252	Nut, nylock #10-24 .....	2		643281	Switch, Seat .....	1

\* Not Illustrated

★ Some units have hubs with studs installed and require wheel nuts, some units have hubs without studs and require wheel bolts.

Exmark black touch up spray paint - gloss black

**KOHLER 18, 23, & 25 HP AIR-COOLED FUEL GROUP**



Ref. No.	Part No.	Description	Qty. Req'd.	Ref. No.	Part No.	Description	Qty. Req'd.
1	303077	Clamp, fuel line .....	6	11	633968	Tank, fuel (RH) .....	1
2	☐ Kohler Part No. 2405002	Fuel Filter.....	1	12	633347	Valve, fuel.....	1
3	513762	Clip, loom .50 .....	2	13	633348	Fuel line .....	1
4	303335	Plastic tie (large) .....	1	14	633349	Spring, fuel tank.....	6
5	513508	Cap, fuel tank .....	2	15	800251	Screw, 1/4-20 x 5/8.....	2
6	513645	Bushing .....	2	16	800271	Screw, 5/16-18 x 3/4.....	4
7	543277	Elbow, strainer .....	2	17	804267	Nut, thin nylock 5/16-18 .....	6
8	543456	Fuel line.....	2	18	805004	Washer, lock 1/4.....	2
9	◆ 633023	Stud, fuel tank .....	6	19	805005	Washer, lock 5/16.....	4
10*	633967	Tank, fuel (LH) .....	1	20	805257	Washer, 5/16 SAE .....	10

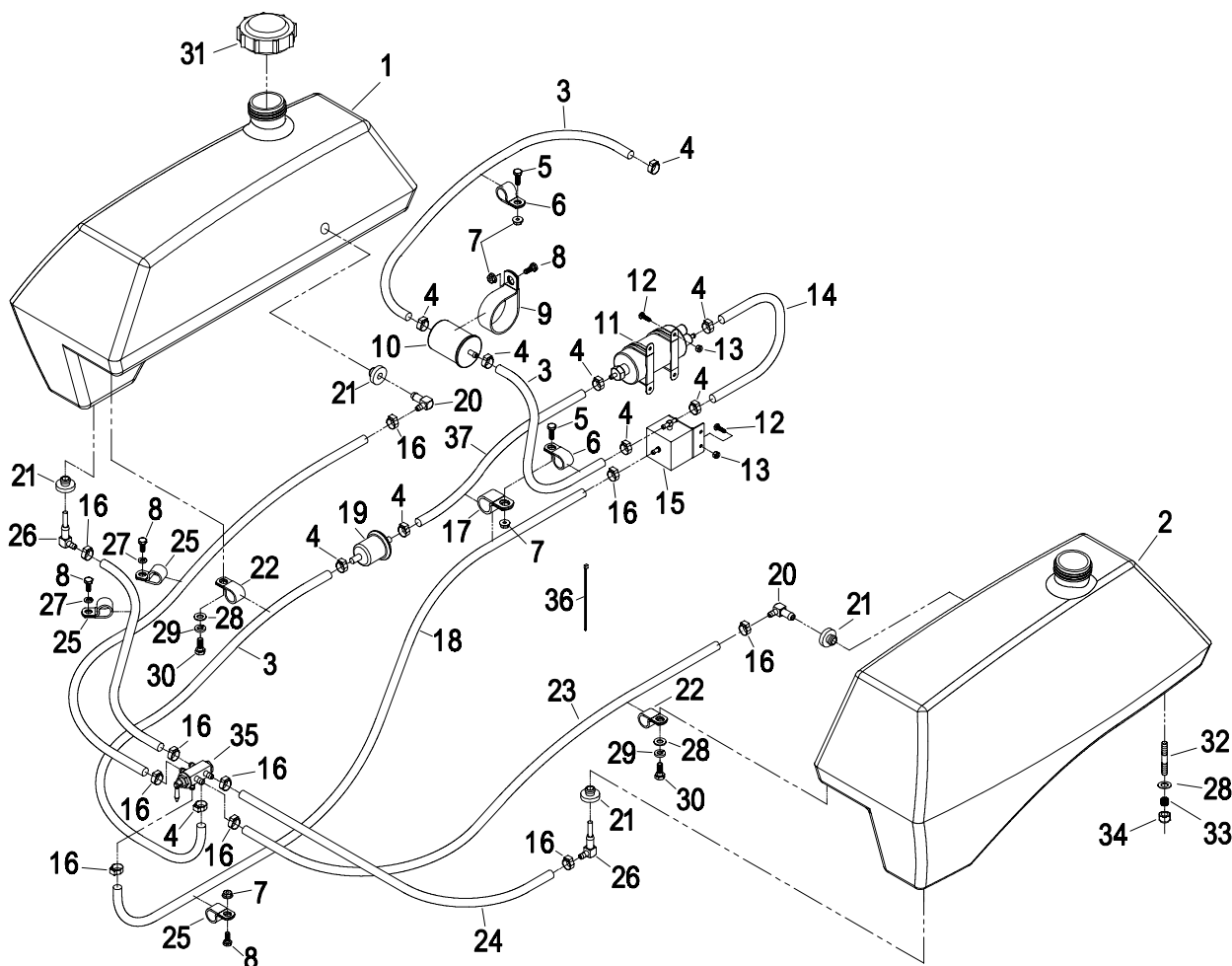
◆ Use Prolock, Retaining type (Part No. 840023), .5cc tube on stud threads going into the tank.

\* Not Illustrated.

☐ Refer to Engine Owner's Manual (Fuel Filter **Must** be 15 Micron or smaller).



### KOHLER 26 HP EFI FUEL GROUP



Ref. No.	Part No.	Description	Qty. Req'd.	Ref. No.	Part No.	Description	Qty. Req'd.
1	643244	Tank, EFI Fuel (RH) .....	1	20	643172	Elbow, 90° .....	2
2	643243	Tank, EFI Fuel (LH) .....	1	21	513645	Bushing, Fuel Valve .....	4
3	643238	Fuel line, .31 x 24" .....	3	22	633396	Clip, Loom .....	2
4▲	643277	Clamp, .31 I.D. Fuel Hose .....	10	23	633348	Fuel Line.....	2
5	800252	Screw, Cap 1/4 -20 x 3/4 .....	2	24	543456	Fuel Line.....	2
6	603727	Clip, Loom .56 .....	2	25	513762	Clip, loom .50 .....	3
7	809012	Nut, Whizlock 1/4-20 .....	4	26	543277	Elbow, 90° w/strainer.....	2
8	800251	Screw, Cap 1/4 -20 x 5/8 .....	3	27	805004	Washer, lock 1/4 .....	2
9	643241	Clip, Loom 2.13 .....	1	28	805257	Washer, flat SAE 5/16.....	10
10☐	<b>Kohler</b> P/N 24 050 03	Fuel Filter (large) .	1	29	805005	Washer, lock 5/16 hvy.....	4
11☐	<b>Kohler</b> P/N 24 393 20	Fuel Pump .....	1	30	800271	Screw, 5/16-18 x 3/4 .....	4
12	803028	Screw, Machine #10-24 x 5/8 .....	6	31	513508	Cap, Fuel Tank.....	2
13	804252	Nut, Nyloc #10-24.....	6	32◆	633023	Stud, Fuel Tank.....	6
14	643236	Fuel Line, .31 x 10 .....	1	33	633349	Spring, Fuel Tank.....	6
15☐	<b>Kohler</b> P/N 24 403 12	Fuel Regulator.....	1	34	804267	Nut, Thin Nyloc 5/16-18.....	6
16▲	643293	Clamp, .25" .....	10	35	643234	Valve, Fuel Dual Flow .....	1
17	643312	Clip, loom.....	1	36	303287	Plastic Tie (small.....	1
18	643235	Fuel line, .31 x 40".....	1	37	643239	Fuel line, .31 x 28.0.....	1
19	99-9403	Fuel Filter.....	1				

- ◆ Use Prolock, Retaining type (Part No. 840023), .5cc tube on stud threads going into the tank.
- ☐ Refer to Engine Owner's Manual (Fuel Filter **Must** be 40 Micron or smaller).
- ▲ Clamps require special pliers P/N 643394 (Oetiker P/N 14100118 or Kohler P/N 2445505) for installation.

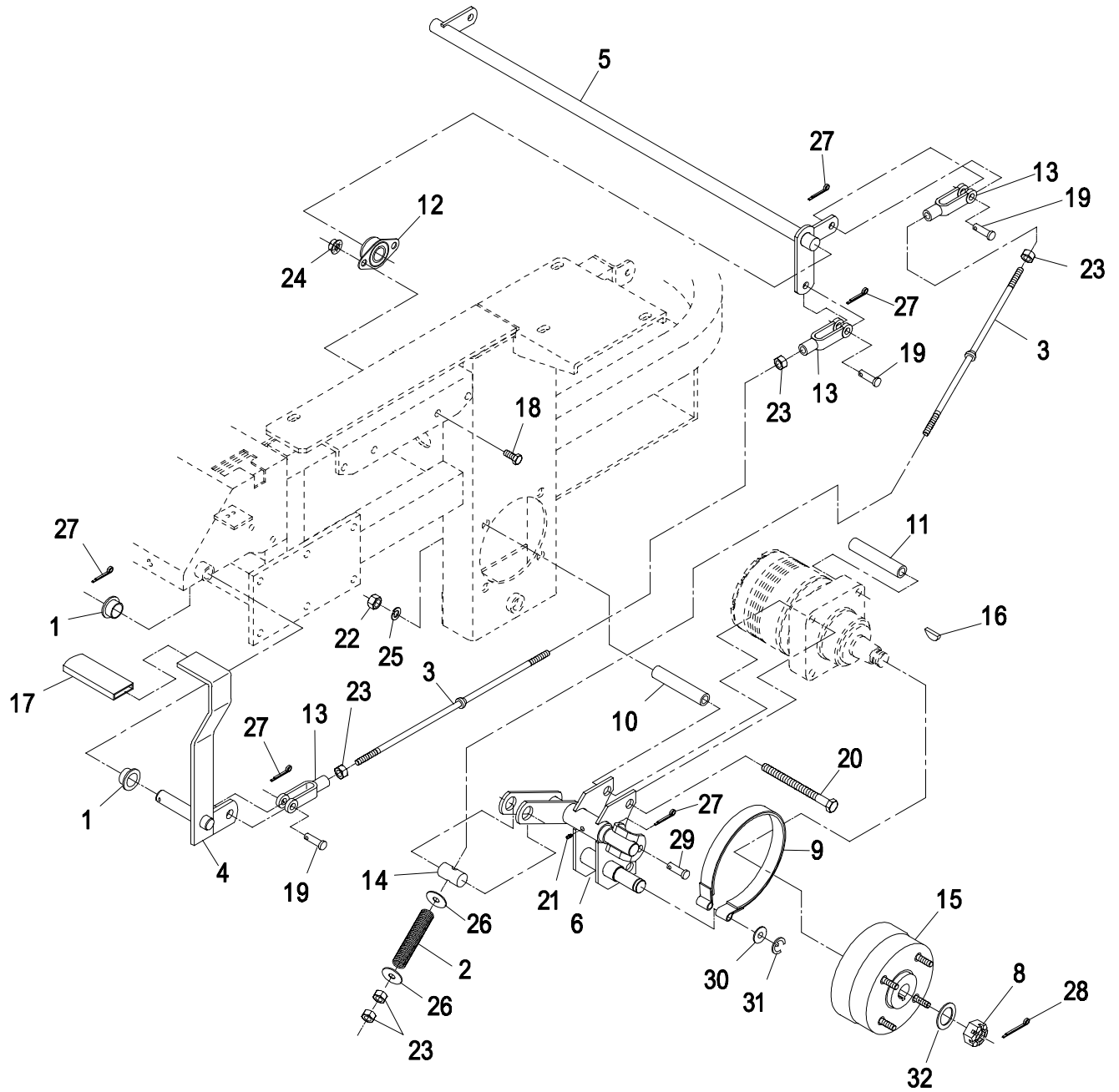
**PARK BRAKE GROUP**

Ref. No.	Part No.	Description	Qty. Req'd.	Ref. No.	Part No.	Description	Qty. Req'd.
1	513140	Bushing .....	2	16	807020	Woodruff key, 5/16X1 .....	2
2	633454	Spring, brake rod.....	2	17	633268	Grip, brake lever .....	1
3	633477	Rod, brake.....	3	18	800290	Screw, 3/8-16 x 3/4 .....	4
4	634500	Lever w/grip.....	1	19	808285	Pin, clevis 3/8 x 1 1/8 .....	4
	632489	Lever, brake .....	1	20	800347	Screw, 1/2-13 x 4 (52"&62")....	8
5	632217	Shaft, brake.....	1		800334	Screw, 1/2-13 x 6 (72") .....	8
6	632714	Bracket, brake (LH) (52"&60").	1	21	811007	Zerk, 1/4-28 45° (52"&60") .....	2
	632712	Bracket, brake (LH) (72") .....	1		811006	Zerk, 1/4-28 straight (72") .....	2
7*	632715	Bracket, brake (RH)(52"&60").	1	22	804509	Nut, 1/2-13 .....	8
	632713	Bracket, brake (RH)(72").....	1	23	804525	Nut, 3/8-24 .....	8
8	809036	Nut, slotted 1.00-20 .....	2	24	809007	Nut, whizlock 3/8-16.....	4
9	633693	Band, brake.....	2	25	805008	Washer, lock 1/2 .....	8
10	633380	Spacer (short)(52"&60") .....	4	26	805260	Washer, 3/8 std .....	4
	633060	Spacer (short) (72") .....	4	27	806761	Pin, cotter 1/8 x 3/4 .....	9
11	633382	Spacer (long)(52"&60") .....	4	28	806800	Pin, cotter 9/64 x 1 1/2 .....	2
	633062	Spacer (long)(72") .....	4	29	808283	Pin, clevis 3/8 x 2 .....	2
12	633102	Bearing, flange .....	2	30	805269	Washer, 3/4 SAE .....	2
13	633131	Yoke .....	4	31	808514	E-Ring, retaining .....	2
14	633144	Pin, trunion .....	2	32	523157	Washer, spacer .....	2
15★	634927	Hub & drum w/studs, wheel ....	2				
	633926	Studs, wheel.....	8				
	633548	Hub & drum, wheel.....	2				

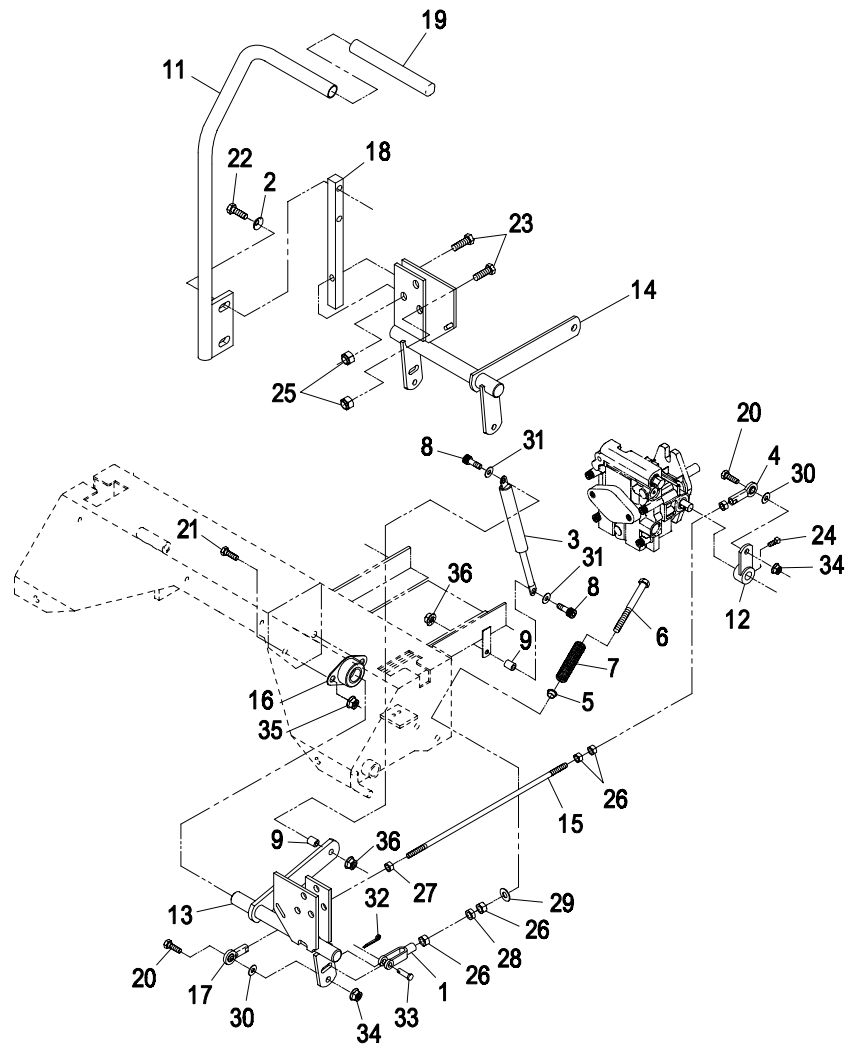
\* Not Illustrated



### PARK BRAKE GROUP



### MOTION CONTROL LEVERS



Ref. No.	Part No.	Description	Qty. Req'd.	Ref. No.	Part No.	Description	Qty. Req'd.
1	303105	Yoke .....	2	18	633177	Arm, control shaft.....	2
2	303327	Washer, disc spring 3/8 .....	4	19	633257	Grip, motion control handle....	2
3	523027	Dampener .....	2	20	800274	Screw, 5/16-18 x 1 1/4.....	4
4	543017	Ball joint (RH) .....	2	21	800290	Screw, 3/8-16 x 3/4.....	8
5	603735	Bushing, nylon (reverse ind.)...	2	22	800292	Screw, 3/8-16 x 1.....	4
6	603737	Bolt, (neutral return) .....	2	23	800295	Screw, 3/8-16 x 1 3/4.....	6
7	603807	Spring, (neutral return) .....	2	24◇	803022	Set screw, 5/16 x 5/8 .....	2
8◆	809057	Bolt, shoulder 5/16 x 3/4 .....	4	25	804257	Nut, nylock 3/8-16.....	6
9	603903	Spacer .....	4	26	804521	Nut, 5/16-24 .....	10
10*	634258	Handle w/grip (LH) .....	1	27	804524	Nut, 5/16-24 (LH) .....	2
	632191	Handle, motion control (LH) ....	1	28	804758	Nut, jam 5/16-24 .....	2
11	634259	Handle w/grip (RH).....	1	29	805256	Washer, 1/4 .....	2
	632193	Handle, motion control (RH)....	1	30	805258	Washer, 5/16 std .....	4
12	632208	Arm, pump control.....	2	31	805257	Washer, 5/16 SAE .....	4
13	632911	Bracket, motion control (LH) ...	1	32	806753	Pin, cotter 3/32 x 1/2.....	2
14	632912	Bracket, motion control (RH)...	1	33	808280	Pin, clevis 5/16 x 1 .....	2
15	633153	Link, pump control.....	2	34	809001	Nut, whizlock 5/16-18.....	4
16	633102	Bearing, flanged .....	4	35	809007	Nut, whizlock 3/8-16.....	8
17	633152	Ball joint (LH).....	2	36	809012	Nut, whizlock 1/4-20.....	4

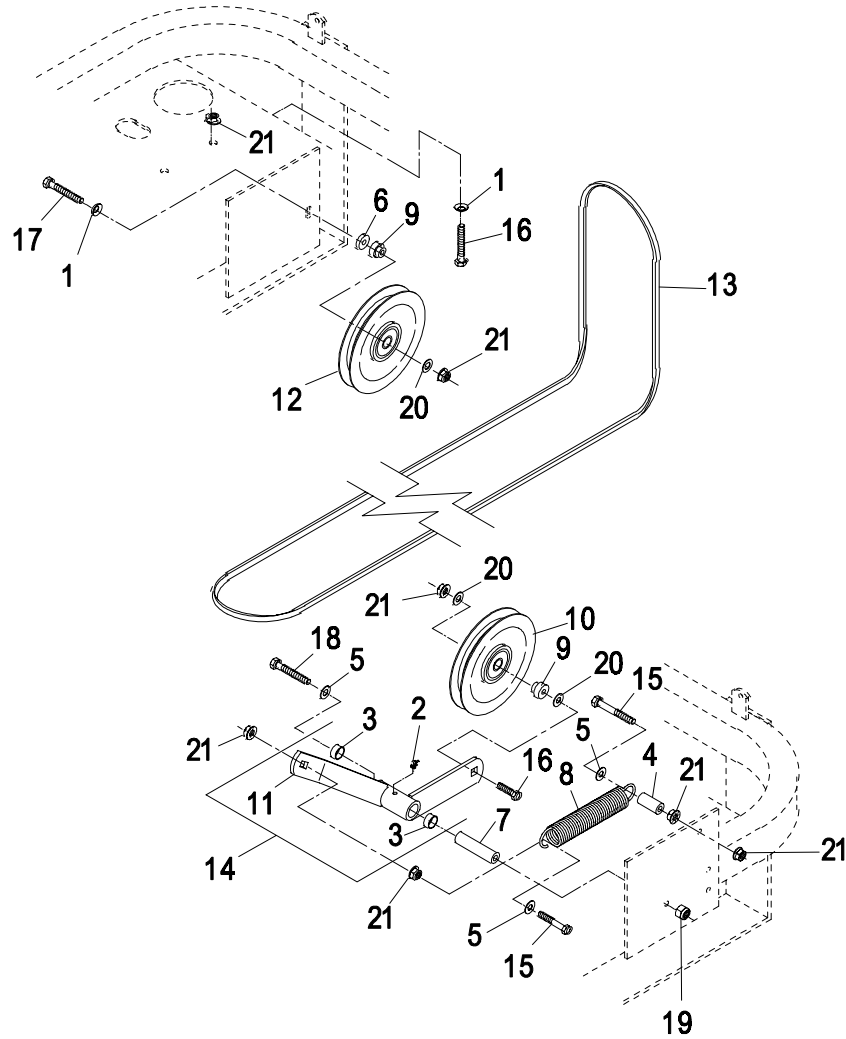
\* Not Illustrated.

Exmark black touch up spray paint - gloss black

◇ Use Pro-Lock, Nut Type (P/N 840022, .5ml tube) on setscrews

◆ Use Pro-Lock, Retaining Type (P/N 840023, .5cc tube) on damper mounting shoulder bolts

**COMMON ENGINE DECK GROUP**



Ref. No.	Part No.	Description	Qty. Req'd.	Ref. No.	Part No.	Description	Qty. Req'd.
1	303327	Washer, spring disc 3/8.....	5	12	633166	Pulley, idler.....	1
2	811008	Zerk, 1/4-20 (90°) .....	1	13	633173	Belt, mule drive .....	1
3	513034	Bearing .....	2	14	632469	Arm, idler w/bushings.....	1
4	603401	Spacer, spring .....	1	15	800297	Screw, 3/8-16 x 2 1/4 .....	2
5	805260	Washer, 3/8.....	3	16	800295	Screw, 3/8-16 x 1 3/4 (Koh) ....	5
6	603050	Spacer .....	1		800295	Screw, 3/8-16 x 1 3/4 (Kaw)....	1
7	603384	Bushing, idler pivot .....	1	17	800299	Screw, 3/8-16 x 2 3/4 .....	1
8	603402	Spring, mule idler .....	1	18	800805	Screw, 3/8-16 x 3 1/2 .....	1
9	603496	Bushing, idler.....	2	19	804257	Nut, nylock 3/8 .....	1
10	603805	Pulley, idler .....	1	20	805259	Washer, 3/8 sae.....	3
11	632468	Arm, idler .....	1	21	809007	Nut, whizlock 3/8-16.....	10

▽ ▽Use a Teflon Pipe Sealant or equivalent on threads.

Exmark black touch up spray paint - gloss black

**KOHLER AIR-COOLED ENGINE DECK GROUP (cont.)**

Ref. No.	Part No.	Description	Qty. Req'd.	Ref. No.	Part No.	Description	Qty. Req'd.
1	800292	Screw, Hex Cap 3/8-16 x 1....	2	32	809007	Nut, whizlock 3/8-16 .....	8
2	303335	Plastic tie (all clutches).....	1		809007	Nut, whizlock 3/8-16 (26hp Koh).	9
3	523420	Bumper, rubber.....	2	33	809012	Nut, whizlock 1/4-20 .....	7
4	800274	Screw, Cap 5/16x1 1/4(Warner)	1	34	633396	Clip, loom .56 .....	1
5	633630	Grommet (all clutches) .....	2	35	809076	Screw, M6 x 1.0mm x 45mm ..	2
6	603610	Washer, spring disc (all clutches)	2	36	323235	Washer, disc spring .....	2
7	633615	Guard, rear engine .....	1	37	323236	Spacer .....	2
8	633543	Strap, clutch (all clutches) .....	1	38	633545	Spacer, Grommet (all clutches)	2
9♦	631731	Clutch w/tie (18 & 23 HP Warner)	1	39	633988	Spacer, clutch anchor .....	1
▲	631732	Clutch w/tie (25 & 26 HP Warner)	1	40	804256	Nut, nyloc 5/16-18 (Warner) ...	1
10	633453	Spacer (18 & 23 HP Warner) .....	1		804256	Nut, nyloc 5/16-18 (Ogura) .....	2
▲	633179	Spacer (25 & 26 HP Warner).....	1	41	805507	Washer, 3/16 std. ....	6
11	634308	Shield, lift - subassembly.....	1	42	543232	Nipple, pipe 3/8 NPT .....	1
12	633298	Shield, engine .....	1	43	303428	Elbow, 3/8 NPT .....	1
13	633300	Shield, lift .....	1	44	800281	Screw, 5/16-18x3.0 (Ogura) ...	1
14	634796	Shield (LH) - subassembly .....	1	45	633082	Spacer, clutch anchor (Ogura)	1
15	633301	Shield, heat.....	2	46	800275	Screw, Hex Cap 5/16-18x1 1/2 (Ogura) .....	1
16	633795	Baffle, engine (LH).....	1	47	643179	Spacer, clutch (25HP Ogura)....	1
17	633466	Shield, muffler .....	1	48♦	641212	Clutch w/tie (25HP Ogura) .....	1
	643313	Shield, muffler (26hp Koh only) ...	1	49	643180	Keeper, Clutch (25 HP Ogura) .	1
18*	644316	Shield (RH) - subassembly.....	1	50	807261	Key, 1/4x1/4x2.0 (Ogura) .....	1
19	523285	Clip, shield .....	2	51	800820	Screw, 7/16-20x3 (18 & 23 HP Ogura) .....	1
20*	633794	Baffle, engine (RH) .....	1	52	643182	Keeper, Clutch (18 & 23 HP Ogura) .....	1
21	800284	Screw, 5/16-18x4(Warner) ....	1	53•		Clutch w/tie (18 & 23HP Ogura).	1
22	800252	Screw, 1/4-20 x 3/4.....	10	54	643183	Spacer, clutch (18 & 23HP Ogura)	1
23	613235	Washer (Warner and 18 & 23 HP Ogura).	4	55	805257	Washer, 5/16 SAE (18 & 23 HP Ogura) .....	1
	613235	Washer (25 HP Ogura).....	5	56	643181	Washer, Spacer (18 & 23HP Ogura)	1
24	800292	Screw, 3/8-16 x 1.....	6	57	809108	Screw, 5/16-18x1.75 (26hp Koh)	2
	800292	Screw, 3/8-16 x 1 (26hp Koh) ....	7	58	643315	Baffle, Engine Cooler .....	1
25⊠	800819	Screw, 7/16-20x2 1/2 (Warner & 25 HP Ogura).....	1	59	643176	Muffler, 26hp EFI Kohler .....	1
26	803035	Rivet, 3/16 x 1/4.....	11	60	809102	Screw, 5/16-18x.5 (26hp Koh) ..	2
27	804255	Nut, nylock 1/4-20.....	4	61	800315	Screw, 7/16-14x.75 g5(26hp Koh)	2
28	643264	Bracket, guard top .....	2	62	805007	Washer, Lock 7/16 (26hp Koh) ...	2
29	805256	Washer, 1/4 std .....	4	63	809099	Nut, Hex M8 1.25 (26hp Koh) .....	4
30	805258	Washer, 5/16 std (Warner & 25 HP Ogura) .....	1	64	805005	Washer, Lock 5/16hvy(26hp Koh)	4
31	809001	Nut, whizlock 5/16-18 (Warner)	1				

\* Not Illustrated.

⊠ Use Pro-Lock, Nut Type (P/N 840022, .5ml tube) on clutch bolt.

Exmark black touch up spray paint - gloss black

♦ Replacement kits are available to convert to a Warner or Ogura clutch. Reference the table below.

Current Clutch Description	Conversion Replacement Kit	
	PN	Description
25 HP Warner	641300	25 HP Ogura Conversion Kit
25 HP Ogura	641299	25 HP Warner Conversion Kit
18 & 23 HP Warner	No Ogura Conversion kit available. Replace w/Warner PN 631731	
•18 & 23 HP Ogura	641213	18 & 23 HP Warner Conversion Kit

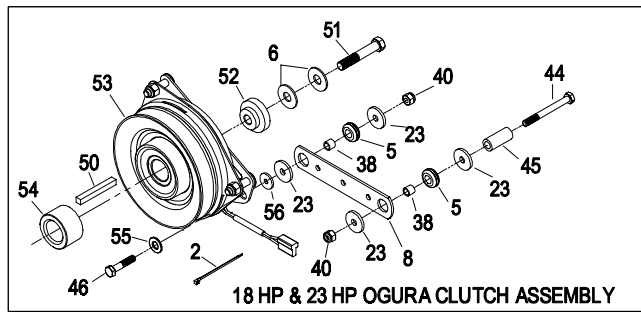
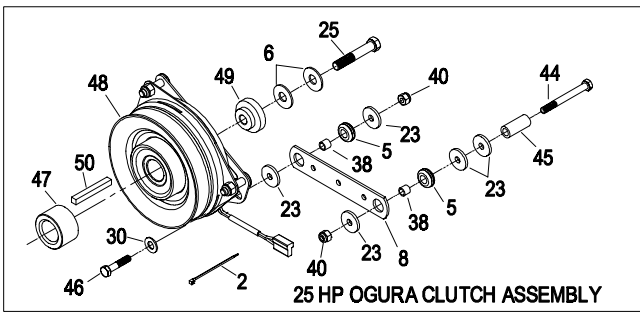
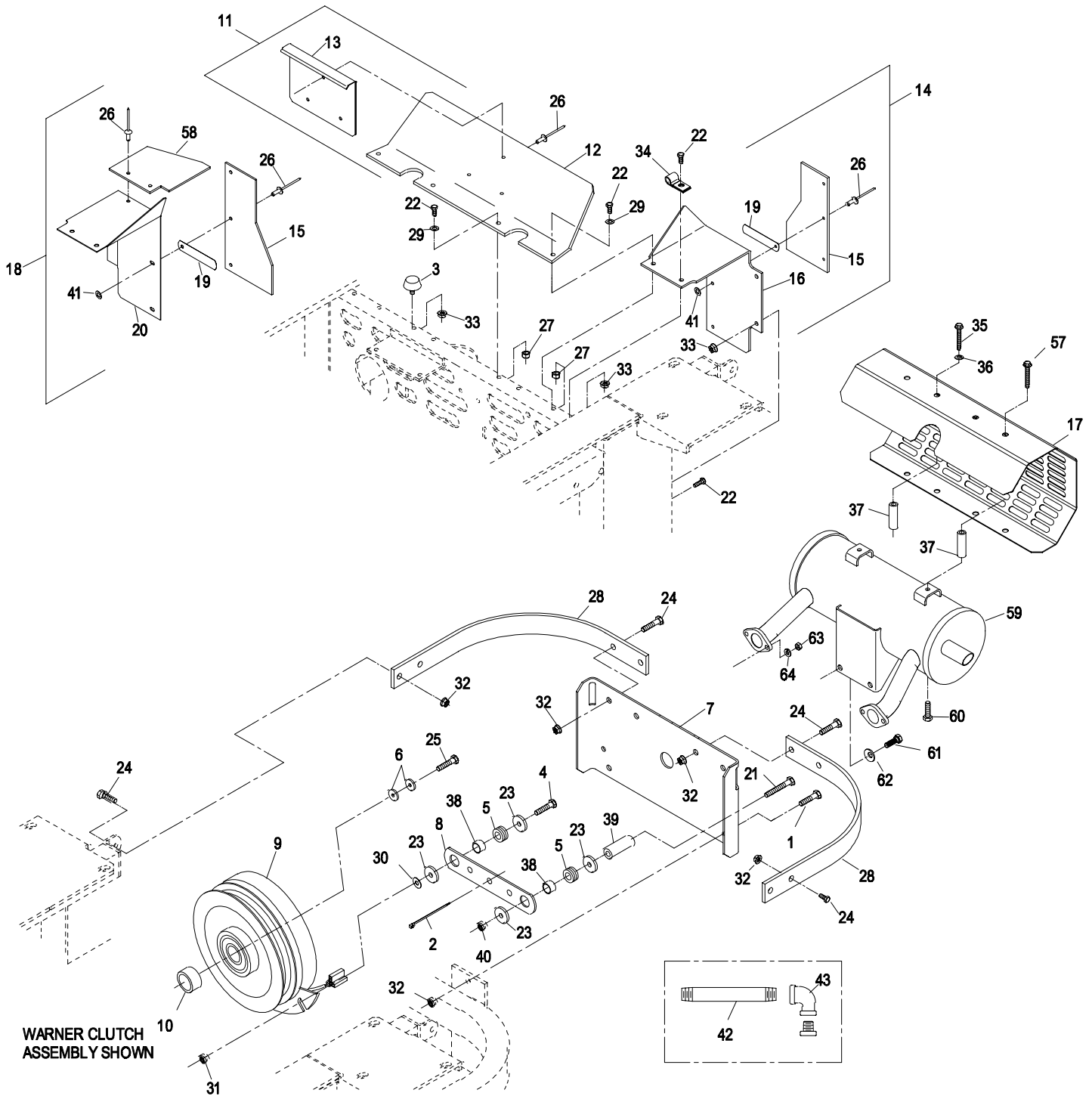
• 18 & 23 HP Ogura clutches will only be serviced with PN 641213 18 & 23 HP Warner Conversion Kit

▲ Kohler 26 HP EFI units are only available with a Warner clutch.

**Kohler Replacement Parts List** (Refer to Engine Owner's Manual)

Description	Kohler Part No.	Description	Kohler Part No.
Engine Oil Filter	5205002	Air Filter	(For 18 & 23hp Engine) 4708303
Air Precleaner (For 18 & 23hp Engine)	2408302		(For 25hp Engine) 2408303
(For 25hp Engine)	2408305		(For 26hp EFI Engine) 2508301
		Safety Filter	(For 26hp EFI Engine) 2508304

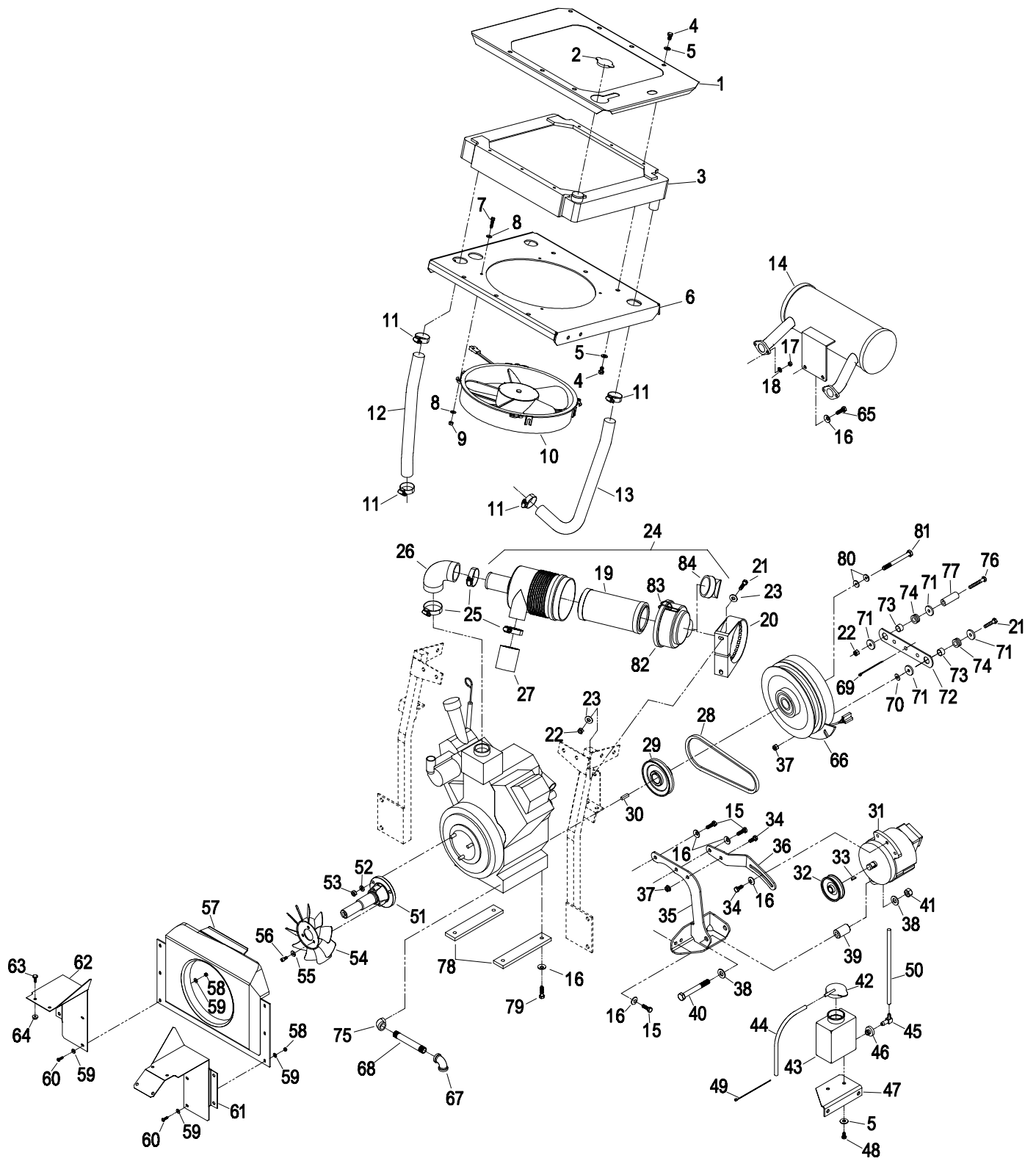
**KOHLER AIR-COOLED ENGINE DECK GROUP (cont.)**



## KAWASAKI LIQUID-COOLED ENGINE DECK GROUP

Ref No.	Part No.	Description	Qty. Req'd.	Ref. No.	Part No.	Description	Qty. Req'd.
1	633902	Plate, Radiator Trim Face.....	1	43	643163	Tank, Overflow (2.0 pts).....	1
2	643161	Cap, Radiator.....	1	44	643131	Hose, .25 ID x 22.00" .....	1
3	633829	Radiator, horiz. mount.....	1	45	643259	Elbow, 90deg .....	1
4	800269	5/16-18x1/2 HHC Screw .....	12	46	513645	Bushing, Fuel Valve.....	1
5	805257	Washer, Flat SAE 5/16.....	14	47	643024	Bracket, Bottle .....	1
6	633888	Plate, Radiator/Fan Mnt. ....	1	48	800250	Screw, Cap Hex 1/4-20x1/2....	2
7	803067	Scrw,12-24x1.0HSHWMach...	4	49	303287	Plastic Tie 5.5x.044x.1 .....	3
8	805254	Washer, Flat Std #12 .....	8	50	643129	Hose, .31 ID x 27.00" .....	1
9	804254	Nut, Nyloc HH #12-24 .....	4	51	633851	Extension, Crankshaft .....	1
10	633831	Fan Assy, 12" Hi Profile .....	1	52	805005	Washer, Lock 5/16 .....	3
11	633989	Clamp, Hose-worm .75-1.75...	4	53	809099	Nut, Hex M8.....	3
12	633894	Hose, Radiator Inlet .....	1	54	633869	Fan, Pump Cooling.....	1
13	633895	Hose, Radiator-Return .....	1	55	805255	Washer, Flat SAE 1/4.....	3
14	633832	Muffler .....	1	56	809095	Screw, HexSocket 1/4-20x1/2	3
15	809072	Screw, Cap Hex M8 x25mm ...	4	57	633854	Shroud, Pump Cooling Fan ....	1
16	303334	Washer, Disc Spring 5/16.....	11	58	804252	Nut, Nyloc #10-24.....	6
17	809098	Nut, Hex M6 .....	4	59	805252	Washer, Flat Std #10.....	12
18	805004	Washer, Lock 1/4 Hvy.....	4	60	803028	Screw, Mach #10-24x5/8.....	6
19	93-2195	Element, filter Primary .....	1	61	643143	Shield, LH Liquid .....	1
20	95-5806	Bracket, air cleaner mount.....	1	62	633794	Shield, RH Eng Shield.....	1
21	800274	Screw, Cap Hex 5/16-18x1-1/4	3	63	800252	Screw, Cap Hex 1/4-20x5/8.....	6
22	804256	Nut, Nyloc 5/16-18 .....	3	64	809012	Nut, Whizlock 1/4-20 .....	6
23	805258	Washer, Flat Std 5/16.....	4	65	809026	Screw, Cap HH M8 x16mm ....	2
24	95-5805	Cleaner, remote air w/filter.....	1	66	631732	Clutch w/tie .....	1
25	643009	Clamp, Hose 1.31-2.25.....	3	67	303428	Elbow, 90° .....	1
26	643083	Hose, Air cleaner/carb .....	1	68	643167	Nipple, 3/8 npt x 4.5.....	1
27	643084	Hose, Air inlet.....	1	69	303335	Tie, plastic .....	1
28	633853	Belt, Alternator .....	1	70	805258	Washer, 5/16 std .....	1
29	633841	Sheave w/hub .....	1	71	613235	Washer .....	4
30	807259	Key, Mach 1/4x1/4x1 .....	1	72	633543	Strap, Clutch/Brake .....	1
31	633881	Alternator .....	1	73	633545	Spacer, Grommet.....	2
32	633882	Sheave, Alternator .....	1	74	633630	Grommet .....	2
33	807004	Key.....	1	75	403124	Elbow, Street .....	1
34	800271	Screw, Cap Hex 5/16-18x3/4..	1	76	800385	Screw, Cap Hex 5/16-18x4.5..	1
35	632835	Bracket, Alternator .....	1	77	643008	Spacer, Clutch Anchor.....	1
36	633838	Arm, Alternator tension. ....	1	78	643007	Spacer, Engine .....	2
37	809001	Nut, Whizlock 5/16-18 .....	2	79	809018	Screw, Cap M8x1.25x30mm ...	4
38	805263	Washer, flat SAE 1/2 .....	2	80	603610	Washer, disc spring 7/16.....	2
39	633839	Spacer.....	1	81	809096	Screw, Cap M10x1.5x65mm ...	1
40	800347	Screw, Cap HH 1/2-13x4 .....	1	82	94-3652	Cover w/latch.....	1
41	804265	Nut, Nyloc 1/2-13 .....	1	83	643283	Latch, Air cleaner.....	1
42	643164	Cap, Overflow Tank .....	1	84	87-9400	Vacuator Valve .....	1

### KAWASAKI LIQUID-COOLED ENGINE DECK GROUP

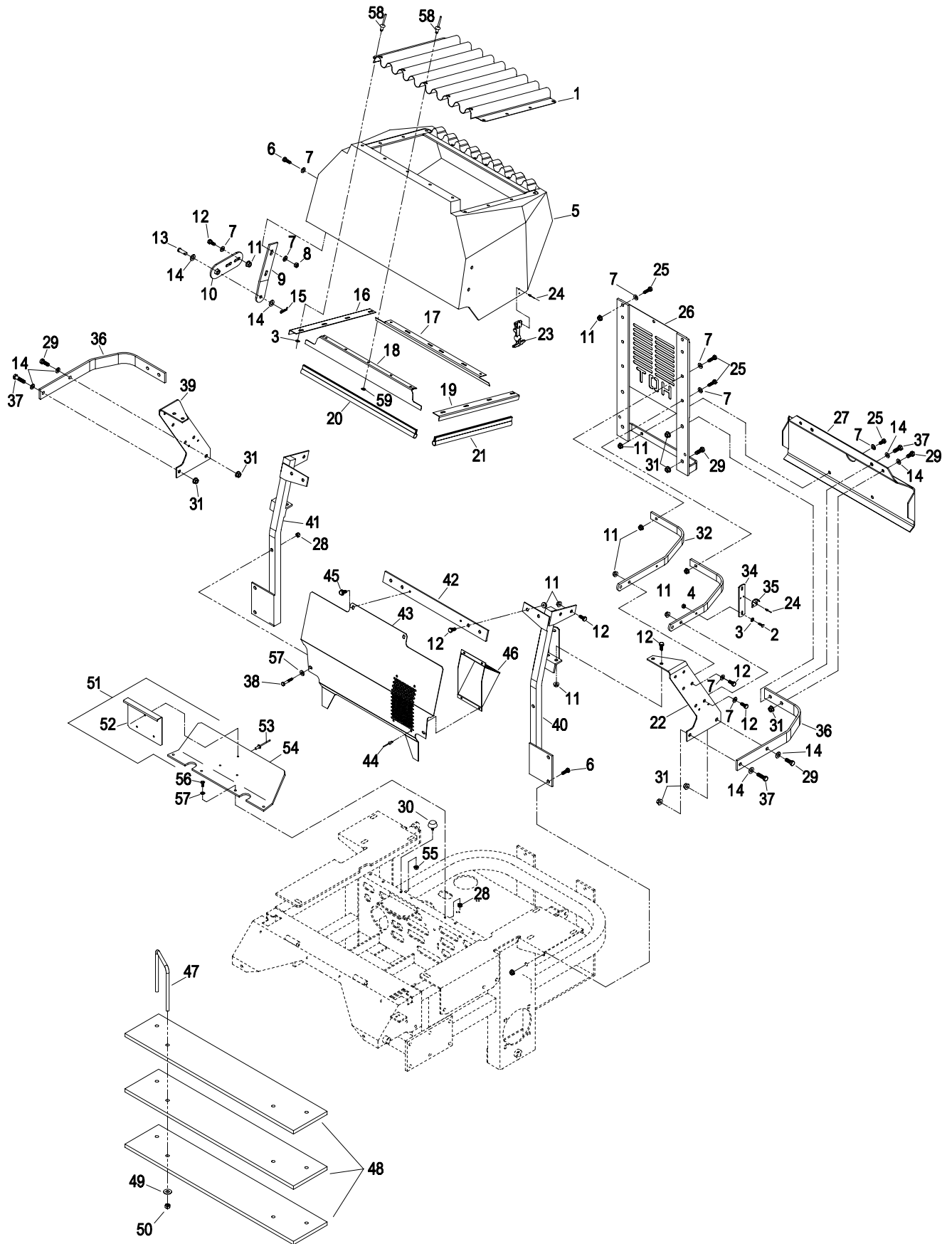


**KAWASAKI LIQUID-COOLED ENGINE DECK GROUP (cont.)**

Ref. No.	Part No.	Description	Qty. Req'd.	Ref. No.	Part No.	Description	Qty. Req'd.
1	633864	Screen, Radiator Intake .....	1	31	809007	Nut, Whizlock 3/8-16 .....	10
2	803069	Screw, 10-24X.75 BHSCap.....	4	32	633897	Rib, Top .....	2
3	805252	Washer, Flat Std #10 .....	16	33	633898	Rib, Bottom .....	2
4	804252	Nut, Nyloc #10-24 .....	4	34	633877	Bar, Latch Hook .....	2
5	633857	Hood, Engine Gray.....	1	35	643189	Keeper, Rubber Latch.....	2
6	800272	Screw, Cap Hex 5/16-18x7/8 ..	8	36	633896	Bar, Rad. Mnt. Frame .....	2
7	805257	Washer, Flat SAE 5/16 .....	21	37	800293	Screw, Cap Hex 3/8-16x1-1/4.	4
8	804256	Nut, Nyloc 5/16-18 .....	4	38	800256	Screw, Cap Hex 1/4-20x1 1/2..	2
9	633885	Plate, Hood Hinge .....	2	39	633901	Plate, Side Rad. Mnt. RH.....	1
10	632986	Hinge, Shackle wld.....	2	40	632984	Radiator Brace wldmt-LH.....	1
11	809001	Nut, Whizlock 5/16-18 .....	37	41	632985	Radiator Brace wldmt-RH.....	1
12	800271	Screw, Cap Hex 5/16-18x3/4 ..	24	42	633878	Crossbar .....	1
13	808285	Pin, Clevis 3/8x1 1/8 .....	2	43	643087	Deflector, Air .....	1
14	805259	Washer, Flat SAE 3/8 .....	12	44	803010	Pop Rivet- Stl 3/16x.250 .....	4
15	806003	Pin, Hair Cotter .080 #2.....	2	45	809086	Screw, Tapping 1/4-20x.75.....	2
16	643106	Angle, Rad. Trim Side RH.....	1	46	643096	Plenum, Air intake.....	1
17	643108	Angle, Rad. Trim Bottom.....	1	47	643147	U-bolt .....	2
18	643107	Angle, Rad. Trim Top.....	1	48	643150	Weight Bar (60" deck).....	3
19	643105	Angle, Rad. Trim Side LH .....	1		643150	Weight Bar (52" deck).....	4
20	643187	Seal, Trim - 20" Length.....	2	49	805260	Washer, flat Std 3/8 .....	4
21	643186	Seal, Trim - 14" Length.....	2	50	804257	Nut, Nyloc 3/8-16 .....	4
22	633900	Plate, Side Rad. Mnt. LH.....	1	51	634308	Shield, lift - subassembly .....	1
23	643188	Latch, EPDM Rubber .....	2	52	633300	Shield, lift .....	1
24	803056	Pop Rivet.....	8	53	803035	Rivet, Alum. 3/16x1/4.....	3
25	800273	Screw, Cap Hex 5/16-18x1 .....	9	54	633298	Shield, engine .....	1
26	632873	Radiator Mount weld-rear.....	1	55	809012	Nut, Whizlock 1/4-20 .....	2
27	633886	Bumper, Rear.....	1	56	800252	Screw, 1/4-20x3/4.....	4
28	804255	Nut, Nyloc 1/4-20 .....	6	57	805256	Washer, 1/4 std .....	6
29	800292	Screw, Cap Hex 3/8-16x1 .....	6	58	803072	Rivet, Bulbex .19 x1.07 .....	17
30	523420	Bumper, rubber .....	2	59	303435	Washer, Spring Disc .25 .....	5



**KAWASAKI LIQUID-COOLED ENGINE DECK GROUP (cont.)**

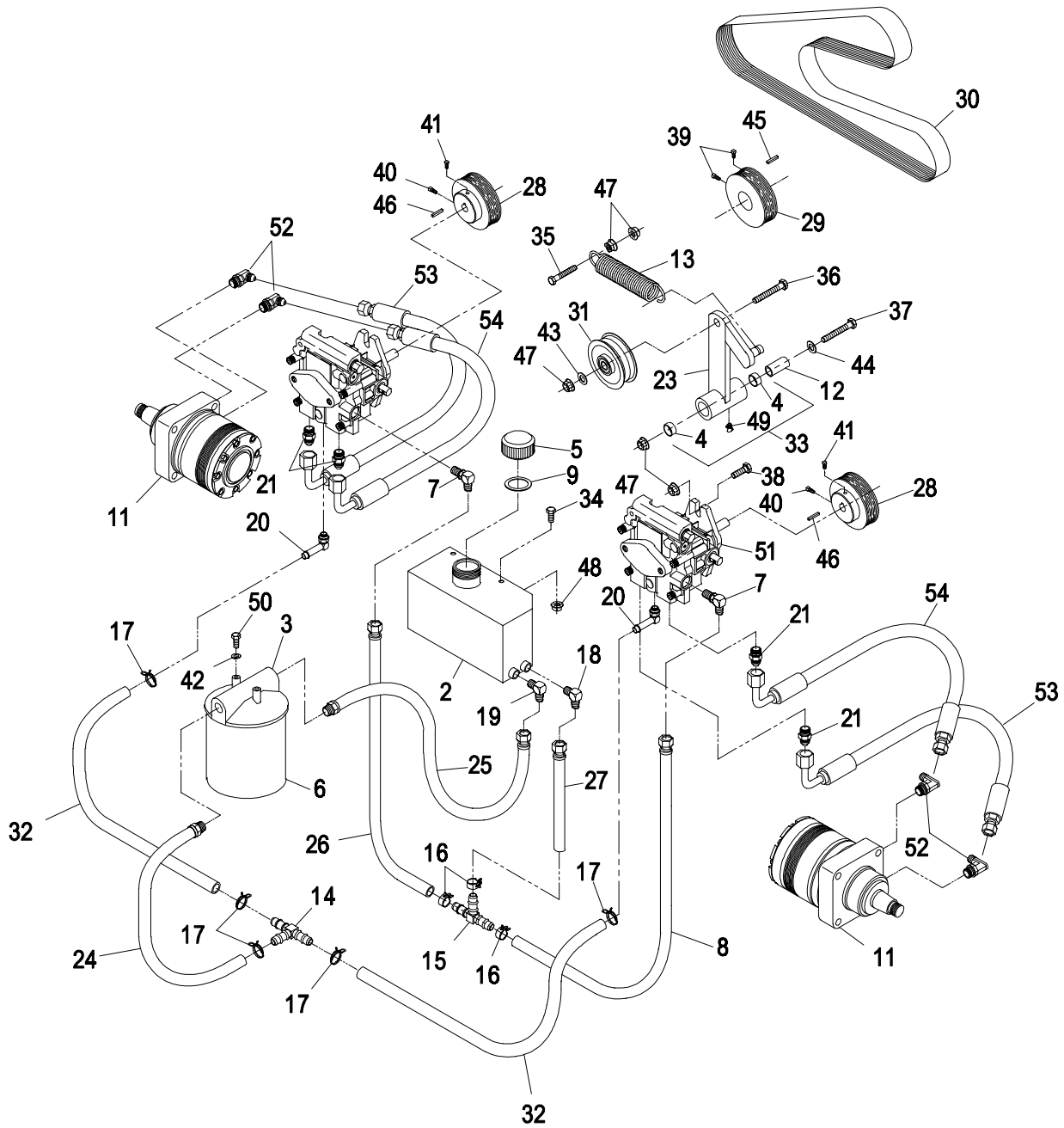


**HYDRAULIC GROUP**

Ref. No.	Part No.	Description	Qty. Req'd.	Ref. No.	Part No.	Description	Qty. Req'd.
1	403102	Hose, Lower 52" & 60" .....	2	26	632285	Hose, low pressure (11 1/4") ..	1
2∇	512166	Tank, hydraulic reservoir.....	1	27	632286	Hose, low pressure (4") .....	1
3∇	513006	Head, filter.....	1	28	633568	Sheave, pump .....	2
4	513034	Bearing, pivot .....	2	29	633567	Sheave, engine.....	1
5	513167	Cap, hydraulic tank .....	1	30	633569	Belt, pump drive.....	1
6	513211	Element, hydraulic oil filter .....	1	31	633167	Pulley, idler w/bushing .....	1
◆	523541	Element, hyd oil filter(winter)...	1	32	633335	Hose, low pressure (14 1/2") ..	2
7	513840	Elbow, 90° w/O-ring .....	2	33	634277	Arm, w/bearing .....	1
	603921	O-Ring.....	1	34	800252	Screw, 1/4-20 x 3/4.....	2
8	522217	Hose, low pressure (7").....	1	35	800294	Screw, 3/8-16 x 1 1/2.....	1
9	523103	Gasket, tank cap.....	1	36	800295	Screw, 3/8-16 x 1 3/4.....	1
10	523222	Elbow, 45° (w/O-rings) .....	4	37	800805	Screw, 3/8-16 x 3 1/2.....	1
	603919	O-Ring (SAE #10) .....	1	38	800293	Screw, 3/8-16 x 1.....	4
	603992	O-Ring (37° flare #8).....	1	39◇	803022	Setscrew, 5/16-18 x 5/8.....	2
11	523328	Motor, wheel drive.....	2	40◇	803046	Setscrew, 5/16-18 x 1.....	2
	000099	Kit, seal .....	1	41◇	803050	Setscrew, 5/16-18 x 3/4.....	2
	000139	Kit, bearing.....	1	42	805004	Lockwasher, 1/4 .....	2
12	603384	Bushing, idler pivot.....	1	43	805258	Washer, 5/16 std .....	1
13	603413	Spring, pump drive idler .....	1	44	805260	Washer, 3/8 std .....	1
14	603721	Fitting, tee (3/8" i.d. hose) .....	1	45	807263	Key, 1/4 x 1/4 x 1 1/4 .....	1
15	603722	Fitting, tee (1/4" i.d. hose) .....	1	46	807272	Key, 5mm x 5mm x 25mm .....	2
16	603826	Clamp, hose (1/2") .....	3	47	809007	Nut, 3/8-16 whizlock .....	8
17	603827	Clamp, hose (5/8") .....	5	48	809012	Nut, whizlock 1/4-20 .....	2
18	603987	Elbow, 90° 7/16-JIC x 1/4-NPT	1	49	811008	Zerk, 90° 1/4-28.....	1
19	603988	Elbow, 90° 9/16-JIC x 1/4-NPT	1	50	800251	Screw, 1/4-20 x 5/8.....	2
20	603989	Elbow, 90° (w/O-ring).....	2	51	603841	Pump, hydro .....	2
	603923	O-Ring (SAE #4) .....	1		2513018	Kit, overhaul seal .....	1
21	603990	Connector, strght. (w/O-rings)	4	52	633786	Elbow, 90°(w/O-rings).....	4
	603920	O-Ring (SAE #8) .....	1		603919	O-Ring (SAE #10).....	1
	603992	O-Ring (37° flare #8).....	1		603992	O-Ring (37° flare #8) .....	1
22	613034	Hose, high pressure 60".....	2	53	633775	Hose, lower (52"&60") .....	2
	403102	Hose, high pressure 52" .....	2		633777	Hose, lower (72") .....	2
23	632201	Arm, pump idler .....	1	54	633774	Hose, upper (52"&60").....	2
24	632281	Hose, low pressure (12").....	1		633776	Hose, upper (72") .....	2
25	632282	Hose, low pressure (20 1/2")...	1				

- ◇ Use Pro-Lock, Nut Type (P/N 840022, 5 ml tube) on setscrews.
- ∇ Use Teflon pipe sealant on pipe threads in reservoir & filter head.  
Exmark black touch up spray paint - gloss black
- ◆ Use only for operation below 32°F (0°C)

### HYDRAULIC GROUP



**DECAL GROUP**

Ref. No.	Part No.	Description	Qty. Req'd.	Ref. No.	Part No.	Description	Qty. Req'd.
1	633792	Decal, Console 1.....	1	21	643339	Decal, Pump Belt Rtg .....	1
2	633798	Decal, Console 2.....	1	22	633354	Decal, Motion Control .....	2
3	633702	Decal, Check Service.....	1	23	643082	Decal, Commercial 72 .....	1
4	633462	Decal, Important.....	1	24	513748	Decal, Guard.....	2
5	403005	Decal, Danger .....	2	25	633827	Decal, Park Brake Warning ....	1
6	323540	Decal, Roller Mounting.....	1	26	513747	Decal, Battery .....	1
7	633706	Decal, Deck Height .....	1	27	643252	Decal, Belt Drive Warning.....	1
8	643222	Decal, Belt Routing .....	1	28	633345	Decal, Deck Height.....	1
9	513742	Decal, No Step .....	2	29	303508	Decal, Discharge Warning.....	1
10	613050	Decal, Commercial 60.....	1	30*	643103	Decal, Exmark logo.....	2
11	303293	Decal, 2 Minute Cool.....	2	•	643103	Decal, Exmark logo.....	1
12♦	633346	Decal, Fuel Valve .....	1	31	643289	Decal, Patent No.....	1
13	373066	Decal, Patent Pending .....	2	32*	633770	Decal, Hot Surface.....	2
14	633313	Decal, Warning .....	1	33*	643104	Decal, L.C. Lazer Swash .....	2
15	513929	Decal, Drive Release .....	1	34•	643288	Decal, Fuse/Relay.....	1
16	403132	Decal, Commercial 52.....	1	35*	643253	Decal, Radiator Fan.....	1
17	303520	Decal, TriVantage (52"&60") ...	1	36•	643233	Decal, Fuel Valve-Dual .....	1
	643140	Decal, TriVantage (72").....	1		634976	Decal Kit-Kohler Air-Cooled	
18	523552	Decal, Hyd Tank/Hot Surface .	1		644156	Decal Kit-Kawasaki Liquid-Cooled	
19**	633350	Decal, Lazer Swash .....	2		644318	Decal Kit-26 HP EFI Kohler	
20	633922	Decal, Anti-Scalp.....	1				

- \* Decals for Kawasaki Liquid-Cooled units only.
- \*\* Decal for Kohler Air-Cooled units only.
- ♦ Decal for all units except 26 HP EFI Kohler.
- Decals for 26 HP EFI Kohler units only.

DECAL GROUP

**1** RELEASE  
PARK BRAKE  
ENGINE

**CAUTION**  
• READ MANUAL BEFORE OPERATING.  
• BEFORE STARTING ENGINE:  
- PARK BRAKE MUST BE ENGAGED  
- LEVERS MUST BE OUTWARD TO NEUTRAL LOCK POSITION  
- OPERATOR MUST BE IN SEAT  
- PTO SWITCH MUST BE OFF  
• BEFORE LEAVING SEAT:  
- PARK BRAKE MUST BE ENGAGED  
- PTO SWITCH MUST BE OFF  
- LEVERS MUST BE OUTWARD TO NEUTRAL LOCK POSITION  
• KEEP ALL GUARDS & SHIELDS IN PLACE.  
• DO NOT PARK ON SLOPES UNLESS PARK BRAKE IS ENGAGED.

**WARNING**  
DISENGAGE PTO, ENGAGE PARK BRAKE, SHUT OFF ENGINE AND REMOVE KEY BEFORE MAKING ADJUSTMENTS, SERVICING OR CLEANING.

**IMPORTANT: BEFORE STARTING**  
ENGINE CLEAN GRASS FROM PUMP DRIVE BELT COMPARTMENT. CHECK MORE OFTEN IN DRY CONDITIONS.

**2** **DANGER**  
• ENGINES PRODUCE CARBON MONOXIDE WHICH IS AN COOLESS DEADLY POISON  
• DO NOT OPERATE IN AN ENCLOSED AREA  
• KEEP ALL PEOPLE & PETS OUT OF AREA WHEN MOWING  
• DO NOT CARRY PASSENGERS  
• AVOID BLADES UNLESS BLADES & ENGINE ARE STOPPED  
• THROWN OBJECTS OR BLADE CONTACT CAN CAUSE SERIOUS INJURY OR DEATH  
• USE EXTREME CAUTION WHEN OPERATING ON SLOPES  
• DO NOT OPERATE ON SLOPES GREATER THAN 1P  
• AVOID SLOPES STAIRS WHEN TRAVELLING UP/HILL  
• LOSS OF TRACTION MAY OCCUR COMING DOWN/HILL  
• EXECUTE TURNS SLOWLY  
• DRIVE SLOWER ON SLOPES  
• DO NOT MOW WET SLOPES

**3** **CHECK/SERVICE REFERENCE AID**  
• GREASE LUBE POINTS AT INTERVALS SHOWN.  
• CHECK HYDRAULIC FLUID AT INTERVALS SHOWN (USE ONLY MOBIL 1 15W-60 SYNTHETIC MOTOR OIL).  
• SEE ENGINE OPERATORS MANUAL FOR SERVICING ENGINE.  
• CHECK TIRE PRESSURE - 13 PSI AT INTERVALS SHOWN.  
SEE OPERATORS MANUAL FOR ADDITIONAL DETAILS

**4** **IMPORTANT:**  
BEFORE STARTING ENGINE CLEAN GRASS FROM PUMP DRIVE BELT COMPARTMENT. CHECK MORE OFTEN IN DRY CONDITIONS.

**5** **DANGER**  
KEEP HANDS and FEET AWAY

**6** **ITEM NAME**  
1 ROLLER  
2 BUSHING  
3 SPRING WASHER  
4 PIN BUSH  
5 MOUNT BRACKET  
6 WHEEL NUT  
7 WHEEL NUT  
• MUST BE GRADE 8  
• BOLT AND WASHERS MUST BE INSTALLED AS SHOWN  
• INDIAGRAM TORQUE NUT TO 35-45 FT/LBS

**7** 4.5  
4.0  
3.5  
3.0  
2.5  
2.0

**8** **BELT ROUTING**  
BLADE BELT: 9643002 - 72  
969122 - 62  
9633306 - 62

**9** **NO STEP**

**10** **COMMERCIAL 60**

**11** **CAUTION**  
ALWAYS BRING TO A STOP FOR 1 MINUTE BEFORE REFUELING

**12** **WARNING**  
DISENGAGE BLADE CLUTCH, SHUT OFF ENGINE AND REMOVE KEY BEFORE MAKING ADJUSTMENTS, SERVICING OR CLEANING DECK.

**13** **PATENT PENDING**

**14** **DRIVE WHEEL RELEASE**  
USE 6/8 WRENCH. DO NOT OVER-TIGHTEN

**15**

**16** **COMMERCIAL 52**

**17** **WITH WHEEL DISBURSIVE TRI-VANTAGE**

**18** **HYDRAULIC OIL - USE ONLY**  
MOBIL 1 SAE 15W-60 SYNTHETIC ENGINE OIL. FILL TO TOP OF BOWL.  
**CAUTION**  
**HOT**

**19** **exmark LAZER Z**

**20** **ANTI-SCALP ROLLER ADJUSTMENT**  
FOR NORMAL OPERATING CONDITIONS, PLACE ROLLERS IN POSITIONS SHOWN FOR 8" (203MM) GROUND CLEARANCE.  
FOR MAXIMUM FLO-THROW, ROLLERS MAY BE POSITIONED LOWER, BUT MUST MAINTAIN A MINIMUM OF 4" (102MM) GROUND CLEARANCE. NEVER POSITION THE ROLLERS TO SUPPORT THE MOWER DECK.

**21** **PUMP BELT ROUTING**

**22** **MOTION CONTROL**  
N  
R

**23** **COMMERCIAL 72**

**24** **CAUTION**  
DO NOT OPERATE WITHOUT DISCHARGE DEFLECTOR OR ENTIRE GRASS COLLECTION SYSTEM IN PLACE. DO NOT REMOVE GRASS CATCHER UNTIL BLADES HAVE STOPPED.

**25** **WARNING**  
PARKING BRAKE MAY NOT HOLD WITH LOADS VIBRATORY OR ACCESSORIES. ALLOWED MACHINES TO ROLL CAUSING INJURY OR PROPERTY DAMAGE. WITH ACCESSORIES INSTALLED, DO NOT PARK ON SLOPES WITH MACHINES FACING UP/HILL, UNLESS WHEELS ARE CHOCKED OR BLOCKED.

**26** **WARNING**  
BATTERY CONTAINS SULFURIC ACID, AVOID CONTACT AND ALWAYS WEAR EYE PROTECTION. CLEAN UP SPILLS FROM BATTERY. CORROSIVE FLAMES OR SPARKS COULD CAUSE BATTERY TO EXPLODE. DO NOT CHARGE OR USE BOOSTER CABLES OR ADJUT PORT CONNECT. USE WRENCH PROPER TIGHTENING MOMENT OF AN ACCIDENT TRIM WITH WATER AND CALL A PROFESSIONAL IMMEDIATELY. KEEP OUT OF REACH OF CHILDREN.

**27** **WARNING**  
ROTATING MECHANICAL DEVICES! STOP ENGINE BEFORE REACHING UNDERNEATH

**28** 5.0  
4.5  
4.0  
3.5  
3.0  
2.5  
2.0  
1.5

**29** **WARNING**  
DO NOT OPERATE WITHOUT DISCHARGE DEFLECTOR OR ENTIRE GRASS COLLECTION SYSTEM IN PLACE. DO NOT REMOVE GRASS CATCHER UNTIL BLADES HAVE STOPPED.

**30** **exmark**

**31** **MADE UNDER ONE OR MORE OF THE FOLLOWING U.S. PATENTS:**  
4,870,061 4,800,733 4,958,484  
5,797,251 5,818,200

**32** **WARNING**  
**HOT**

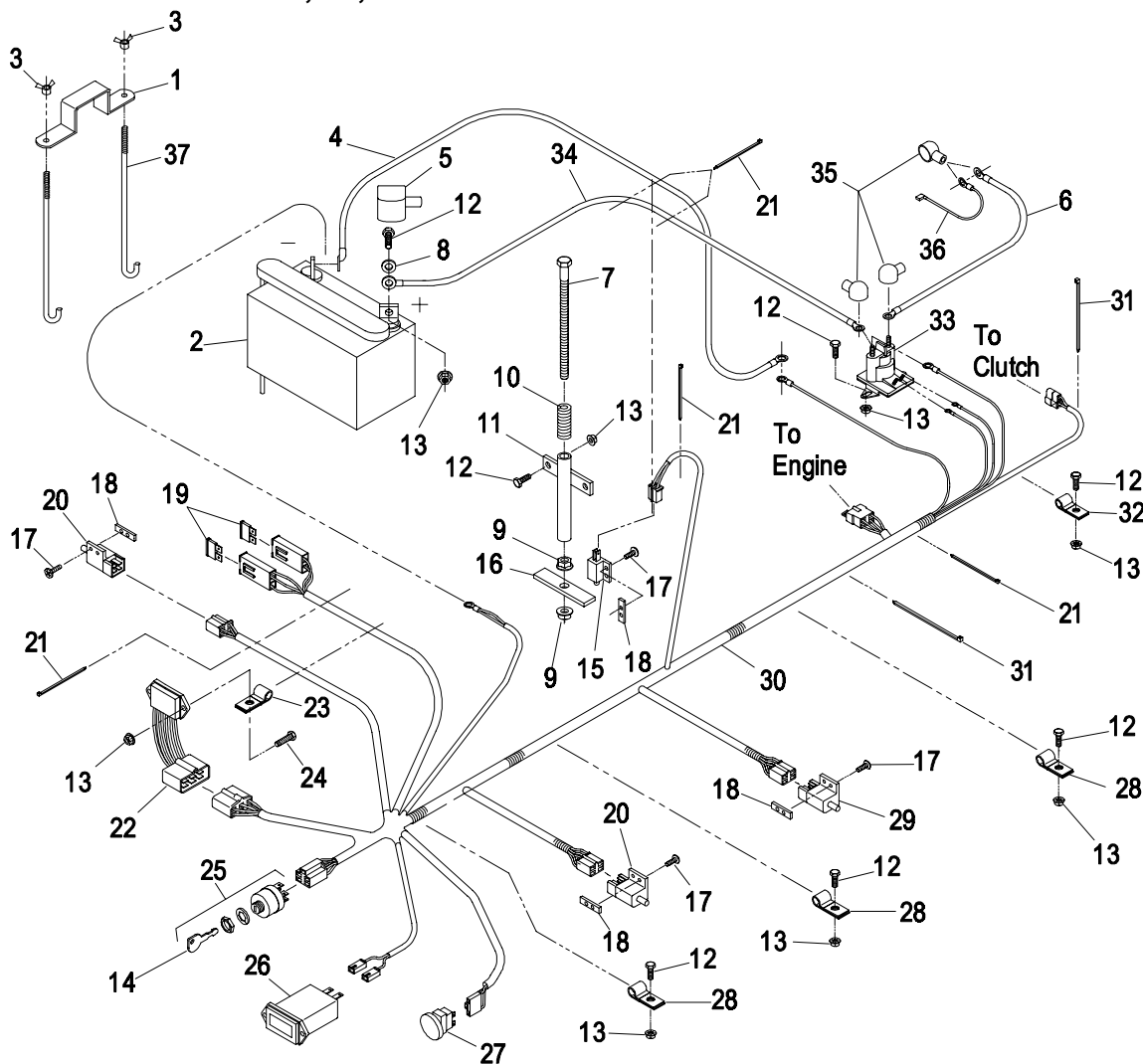
**33** **exmark LAZER Z LIQUID COOLED**

**34** **STARTER RELAY** **FUEL PUMP RELAY** **10 AMP FUEL PUMP FUSE** **20 AMP ENGINE FUSE** **DIAGNOSTIC PLUG**

**35** **CAUTION**  
ROTATING BLADES REACHING UNDERNEATH

**36** **OFF** **MAX** **LH TANK** **RH TANK**

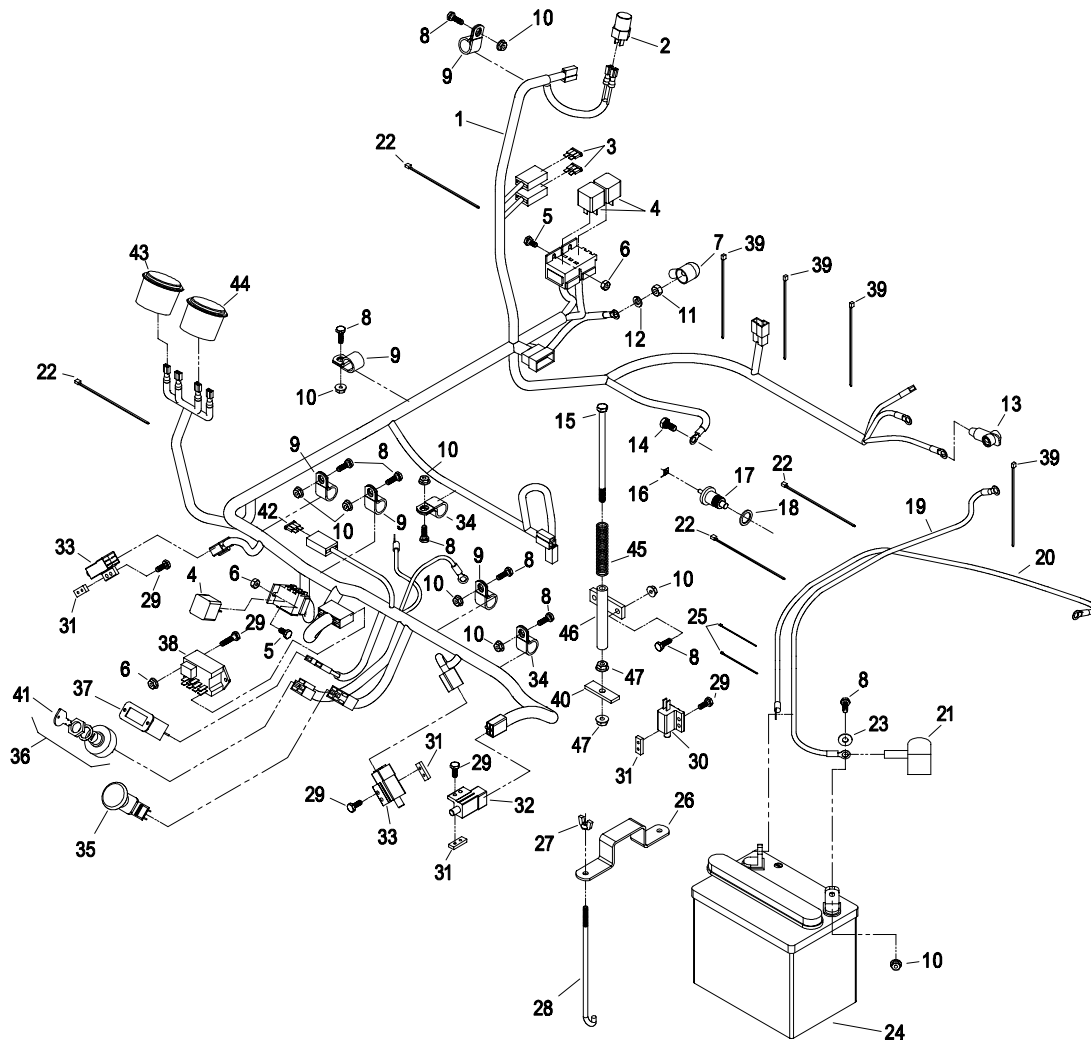
### KOHLER 18, 23, & 25 HP AIR-COOLED ELECTRICAL GROUP



Ref. No.	Part No.	Description	Qty. Req'd.	Ref. No.	Part No.	Description	Qty. Req'd.
1	633652	Holdown-battery .....	1	20	633111	Switch-drive lever N.O./N.C. ....	2
2	603479	Battery-12V .....	1	21	303287	Plastic tie (small) .....	5
3	543792	Wingnut, nyloc .....	2	22	543316	Module-safety interlock .....	1
4	633307	Cable-battery (-) 40" .....	1	23	513762	Clip-loom .50 .....	1
5	543391	Insulator-battery .....	1	24	800254	Screw, 1/4-20x1 .....	1
6	633306	Cable-starter (+) 8" .....	1	25	543070	Switch-ignition w/ keys .....	1
7	800282	Screw, 5/16-18x7 .....	1	26	513374	Meter- engine hours .....	1
8	805256	Washer, 1/4 flat .....	2	27	633673	Switch .....	1
9	809001	Nut, 5/16-18 whizlock .....	2	28	633396	Clip-loom .69 .....	3
10	523415	Spring- seat switch .....	1	29	633110	Switch- brake N.O./N.O. ....	1
11	522424	Spring mount wldmt. ....	1	30	633677	Harness-wiring .....	1
12	800252	Screw, 1/4-20x3/4 .....	10	31	303335	Plastic tie (large) .....	2
13	809012	Nut, 1/4-20 whizlock .....	11	32	323229	Clip-loom .38 .....	1
14	603511	Keys, ignition .....	1	33	513075	Switch- 12v solenoid .....	1
15	513152	Switch- seat N.C. ....	1	34	523281	Cable- battery (+) 30" .....	1
16	513180	Actuator, seat switch .....	1	35	543393	Insulator, solenoid (+) .....	3
17	803028	Screw, #10-24x5/8 .....	8	36	543084	Wire- starter solenoid .....	1
18	633181	Plate- tapped .....	4	37	633651	Bolt, battery holddown .....	2
19	816001	Fuse-20 amp .....	2				

◇ Use dielectric grease on all wiring harness connectors.

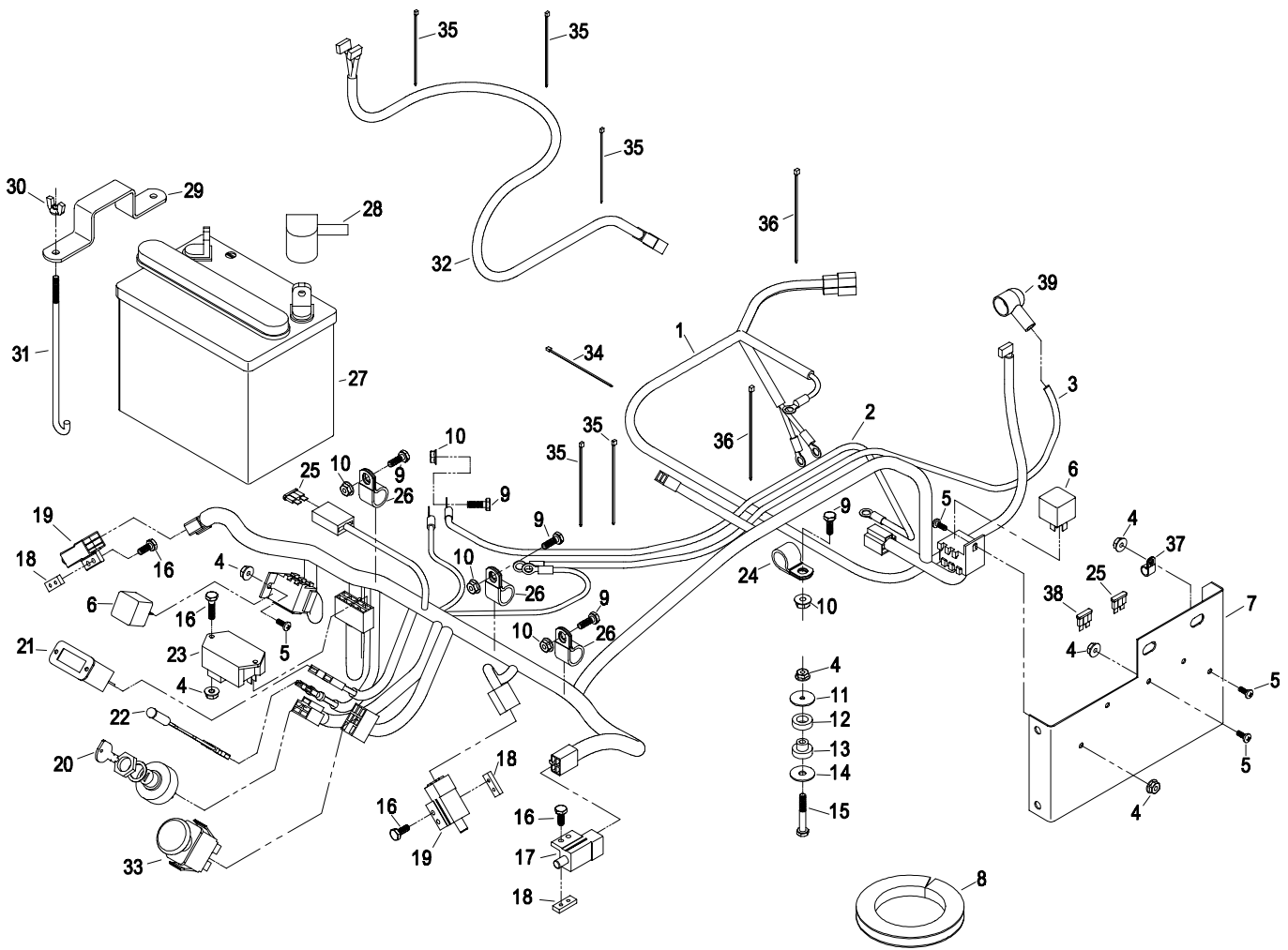
### KAWASAKI LIQUID-COOLED ELECTRICAL GROUP



Ref. No.	Part No.	Description	Qty. Req'd.	Ref. No.	Part No.	Description	Qty. Req'd.
1◇	643095	Harness-wiring .....	1	25	303287	Plastic tie (small) .....	5
2	633833	Switch, fan-thermal.....	1	26	633652	Holdown-battery .....	1
3	816003	Fuse-30 amp .....	2	27	543792	Wingnut, nyloc .....	2
4	643275	Relay, 12V .....	3	28	633651	Bolt, battery holddown.....	2
5	803071	Screw, machine #10-24x1/2 ...	3	29	803028	Screw, #10-24x5/8 .....	10
6	804252	Nut, nyloc #10-24 .....	5	30	513152	Switch- seat N.C. ....	1
7	543393	Insulator, solenoid + .....	1	31	633181	Plate- tapped.....	4
8	800252	Screw, 1/4-20x3/4 .....	11	32	633110	Switch- brake N.O./N.O. ....	1
9	633396	Clip- loom .69.....	5	33	633111	Switch-drive lever N.O./N.C. ...	2
10	809012	Nut, 1/4-20 whizlock .....	11	34	513762	Clip-loom .50.....	2
11	809099	Nut, hex M8-1.25 .....	1	35	633673	Switch.....	1
12	805005	Washer, lock 5/16 .....	1	36	543070	Switch-ignition w/ keys .....	1
13	643178	Insulator cap, alternator + red	1	37	513374	Meter- engine hours .....	1
14	809026	Screw, hex M8-1.25x16 .....	1	38	633856	Module, ignition interlock.....	1
15	800282	Screw, 5/16-18x7 .....	1	39	643115	Plastic tie (large) .....	5
16	643145	Tab, #10stud .25 Spade 45°....	1	40	513180	Actuator, seat switch .....	1
17	643036	Sender Unit, Temp .....	1	41	603511	Keys, ignition.....	1
18	643153	Washer, Alumin Sender gskt...	1	42	816001	Fuse-20 amp.....	1
19	523279	Cable- battery (+) .....	1	43	643037	Gauge, Voltmeter.....	1
20	633307	Cable-battery (-).....	1	44	643021	Gauge, Temperature.....	1
21	543391	Insulator-battery.....	1	45	523415	Spring- seat switch.....	1
22	303335	Plastic tie (medium) .....	4	46	522424	Spring mount wldmt .....	1
23	805256	Washer, 1/4 flat.....	2	47	809001	Nut, 5/16-18 whizlock.....	2
24	603479	Battery-12V.....	1				

◇ Use dielectric grease on all wiring harness connectors.

### KOHLER 26 HP EFI ELECTRICAL GROUP

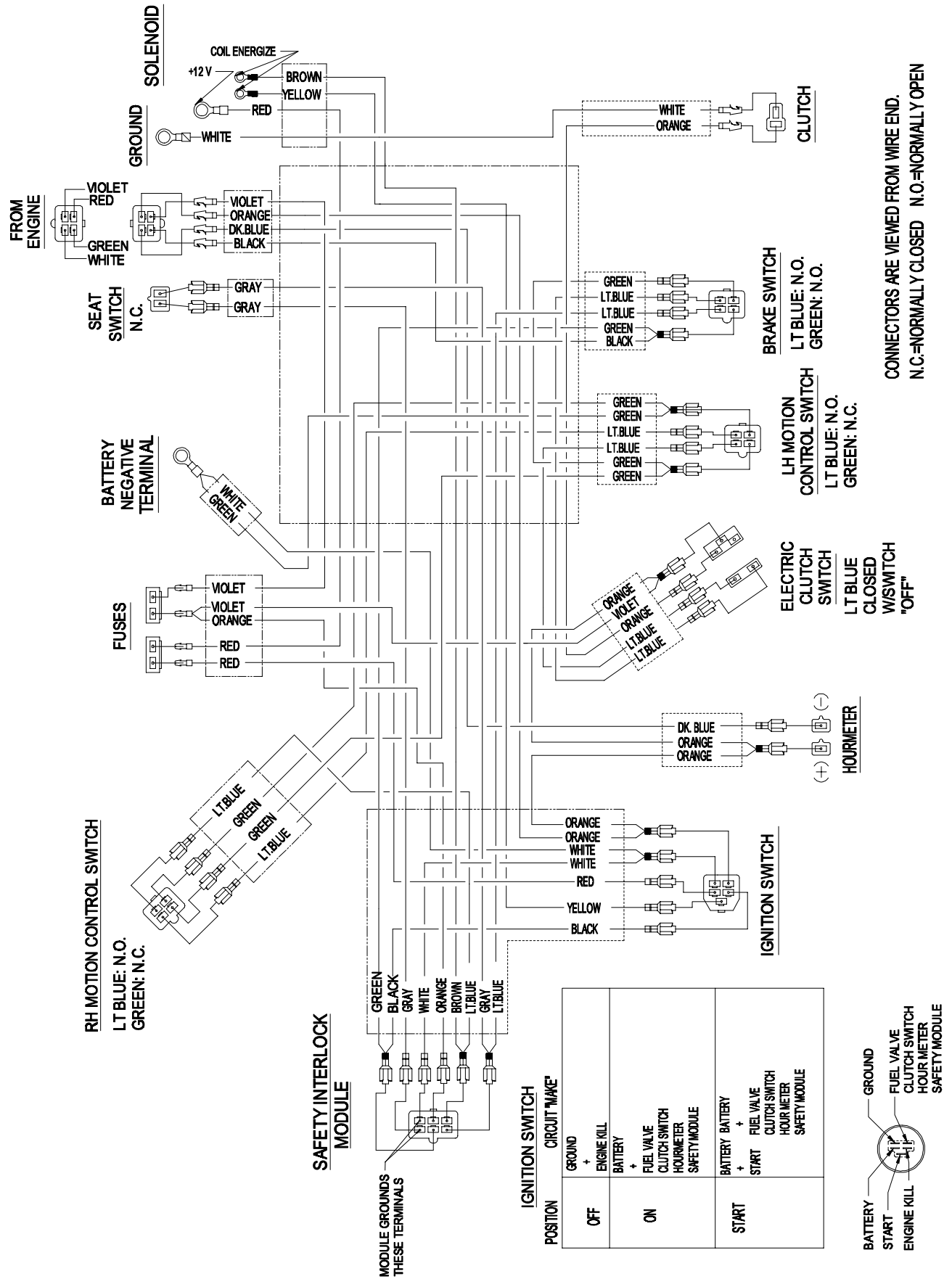


Ref. No.	Part No.	Description	Qty. Req'd.	Ref. No.	Part No.	Description	Qty. Req'd.
1	643229	Harness-wiring .....	1	21	513374	Meter- engine hours .....	1
2	633307	Cable-battery (-) .....	1	22	643267	Indicator, Red LED .....	1
3	523279	Cable- battery (+) .....	1	23	643271	Module, Ignition w/delay .....	1
4	804252	Nut, nyloc #10-24 .....	12	24	513762	Clip-loom .50 .....	2
5	803071	Screw, machine #10-24x1/2 ...	6	25	816001	Fuse-20 amp .....	2
6	643275	Relay, 12V .....	2	26	633396	Clip- loom .69 .....	2
7	643257	Panel, fuses/relay .....	1	27	603479	Battery-12V .....	1
8	643245	Trim-lok, 3/16" .....	1	28	543391	Insulator-battery .....	1
9	800252	Screw, 1/4-20x3/4 .....	6	29	633652	Holddown-battery .....	1
10	809012	Nut, 1/4-20 whizlock .....	6	30	543792	Wingnut, nyloc .....	2
11	805518	Washer, fender #10 x 1.0 .....	4	31	633651	Bolt, battery holddown .....	2
12	643325	Ring Mount, Vibration .....	4	32	633840	Wiring Harness, seat .....	1
13	643326	Bushing Mount, Vibration .....	4	33	633673	Switch .....	1
14	805519	Washer, Fender 1/4 x 1.0 .....	4	34	303287	Plastic tie (small) .....	1
15	803074	Screw, Shoulder .25 x .75 .....	4	35	303335	Plastic tie (medium) .....	5
16	803028	Screw, #10-24x5/8 .....	3	36	643115	Plastic tie (large) .....	2
17	633110	Switch- brake N.O./N.O. ....	1	37	323229	Clip, loom 3/8 .....	1
18	633181	Plate- tapped .....	3	38	816002	Fuse, 10 amp .....	1
19	633111	Switch-drive lever N.O./N.C. ....	2	39	543393	Insulator, solenoid + .....	1
20	543070	Switch-ignition w/ keys .....	1				

◇ Use dielectric grease on all wiring harness connectors.

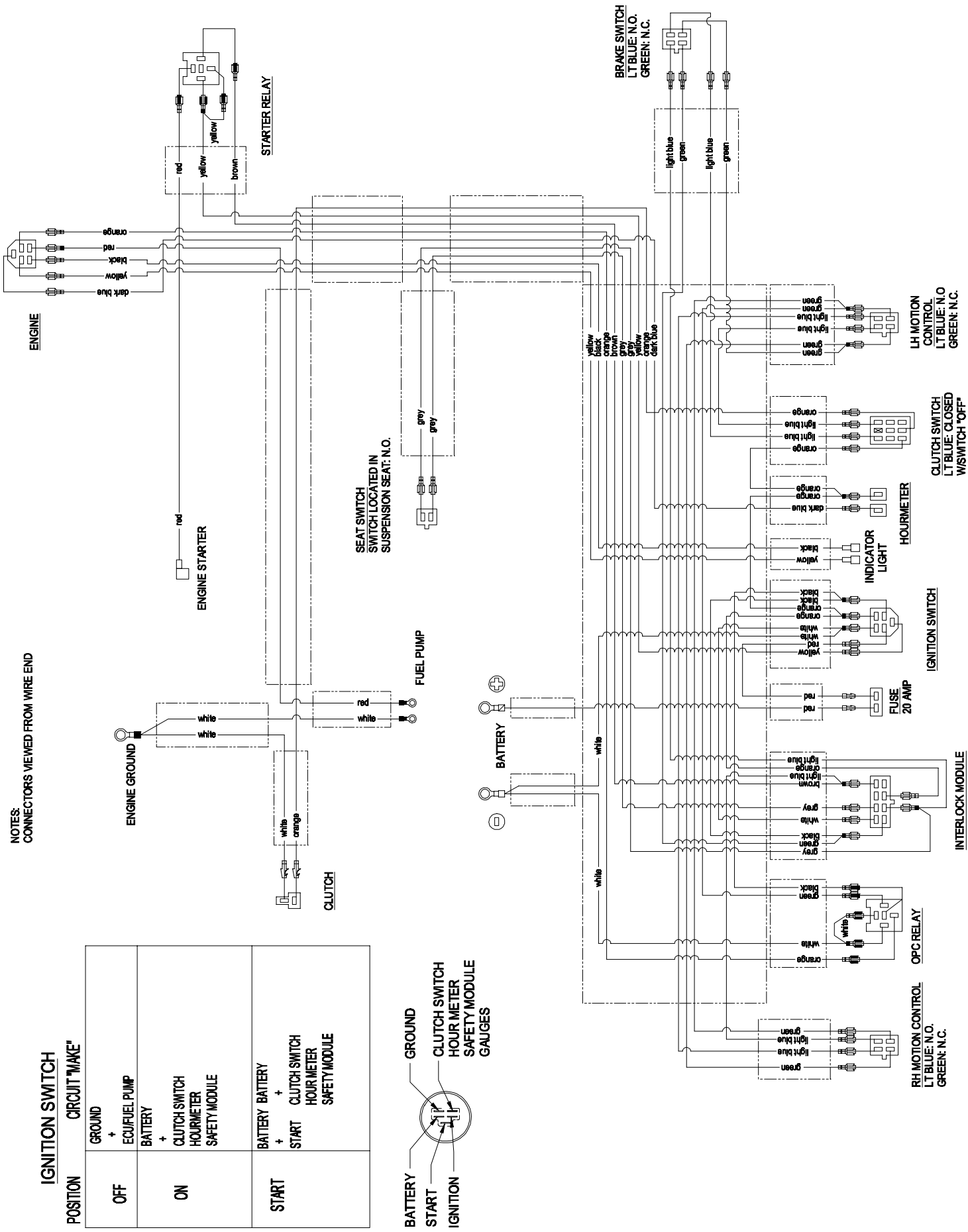


### KOHLER 18, 23, & 25 HP AIR-COOLED ELECTRICAL DIAGRAM



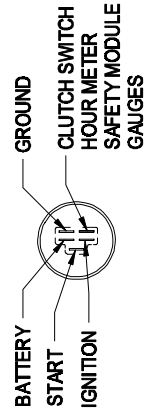


### KOHLER 26 HP EFI ELECTRICAL DIAGRAM



NOTES:  
CONNECTORS VIEWED FROM WIRE END

IGNITION SWITCH POSITION	CIRCUIT MAKE*
OFF	GROUND + ECFUEL PUMP BATTERY
ON	BATTERY + CLUTCH SWITCH HOUR METER SAFETY MODULE
START	BATTERY BATTERY + START CLUTCH SWITCH HOUR METER SAFETY MODULE



**SEE EXMARK'S COMPLETE  
LINE OF PRODUCTS FOR TURF CARE**

**LAZER Z™**

**LAZER Z™ HP**

**TURF RANGER®**

**TURF TRACER®**

**TURF TRACER® HP**

**VIKING HYDRO**

**METRO™**

**METRO™ HP**

**SELF STEERING SULKY**

**GRASS CATCHER**

**MICRO-MULCH™ ACCESSORY**

©1997,1998 EXMARK MFG. CO. INC.  
INDUSTRIAL PARK BOX 808  
BEATRICE, NE 68310

PART NO. 850613 Rev E.  
(402) 223-6300  
FAX (402) 223-5489

ALL RIGHTS RESERVED

PRINTED IN U.S.A.

