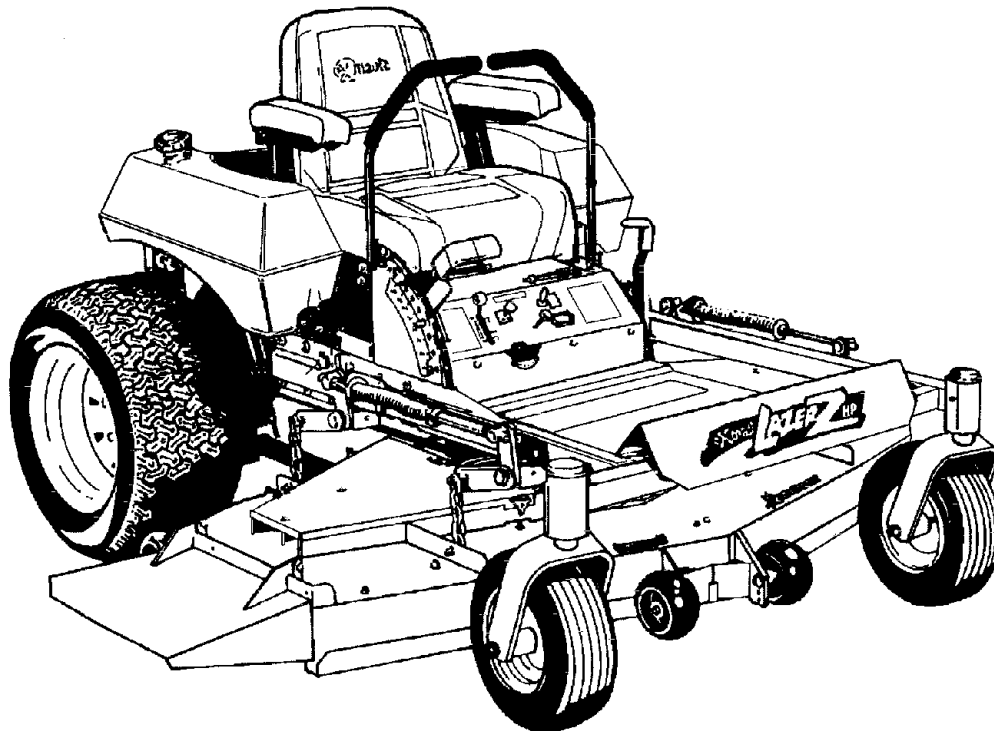


For Serial Nos.
190,000 & Higher



PARTS MANUAL

LAZER ZTM HP

CONGRATULATIONS on the purchase of your new Exmark mower. This product has been carefully designed and manufactured to give you a maximum amount of dependability and years of trouble-free operation.

If additional information is needed, or should you require trained mechanic service, contact your authorized Exmark equipment dealer or distributor.

If you need to order replacement parts from your dealer, always give the model number and serial number of your mower as well as the part number, description and quantity of the part needed.

The Serial No. plate is located on the right side of the console.

For ease of ordering and reference, we suggest that you record the information requested in the following identification table.

Model No. _____

Serial No. _____

Engine Model No. _____

Engine Serial No. _____

Date Purchased _____

Paste Label From
Literature Packet Here



EXMARK PARTS PLUS® PROGRAM

EFFECTIVE DATE: September 1, 1995

Program

If your Exmark dealer does not have the Exmark part in stock, Exmark will get the parts to the dealer the next business day or the part will be FREE* Guaranteed!!

How the Program Works

1. If dealer does not have part in stock for a "down" unit at the time of request by customer, the dealer contacts his distributor by 1:00 p.m., local time, and requests Exmark Parts Plus® shipment of six (6) line items or less.
2. Distributor ships part(s) to dealer or customer, as requested by dealer, same day, overnight UPS. Distributor bills dealer for part and freight charges where applicable.
3. If distributor does not have the part(s) in stock to satisfy Exmark Parts Plus® order, he contacts Exmark by 3:00 p.m., central time, with an Exmark Parts Plus® order of six (6) line items or less.
4. If order is received by 3:00 p.m. central time, Exmark ships part(s) direct to dealer or customer, as requested by distributor, same day, overnight UPS. Exmark bills the distributor for parts and shipping charges, where applicable.
5. The customer pays for the part and freight if it is shipped under the Exmark Parts Plus® and if it arrives in accordance to the program.
6. Who pays for the part and freight if it fails to arrive overnight in accordance to the program?
 - A. Under any circumstance the customer does not pay.
 - B. If the part does not arrive overnight due to:
 1. The dealer not submitting the Exmark Parts Plus® order to his Exmark distributor by 1:00 p.m., the dealer pays for the part and freight.
 2. The Distributor being unable to ship the part the same day or not submitting the Exmark Parts Plus® order to Exmark by 3:00 p.m., central time, the Distributor pays for the part and freight.
 3. Exmark being unable to ship the part and the Exmark parts order is received by 3:00 p.m., central time, Exmark pays for the part and freight.
 4. If the part does not arrive overnight due to the shipper (UPS), the shipper pays for the freight and Exmark pays for the part.



The following restrictions apply -- The Exmark Parts Plus® Program is available only through participating Exmark Dealers and applies only to orders submitted on this program Monday through Thursday. UPS has initiated a Saturday delivery program to many areas of the continental United States and can be requested for an overnight shipment on Friday to be delivered Saturday. The next day air charge, plus the Saturday delivery fee will be the responsibility of the purchaser. Exmark Mfg. will assume no responsibility for Saturday delivery shipments. To qualify, all Exmark Parts Plus® orders must be received by Exmark by 3:00 p.m., central time. Orders must be six (6) line items or less. Exclusions from the Exmark Parts Plus® Program are: Any wholegood or accessory in its entirety, engines and engine replacement parts, 5-speed Peerless transmissions and 5-speed transaxles, hydraulic or hydrostatic wheel motors, cutter decks and engine decks or any item exceeding United Parcel Service size and weight restrictions.

Due to UPS restrictions, aerosol spray paint is considered a hazardous material and cannot be shipped via UPS next day or Second Day Air.

Exmark Manufacturing stocks a limited supply of parts for transaxles, pumps and wheel motors. These parts can be ordered for Next Day Air shipment but will not be guaranteed per the Parts Plus Program.



**READ OPERATOR'S MANUAL BEFORE
OPERATING OR SERVICING EXMARK EQUIPMENT.**

TABLE OF CONTENTS

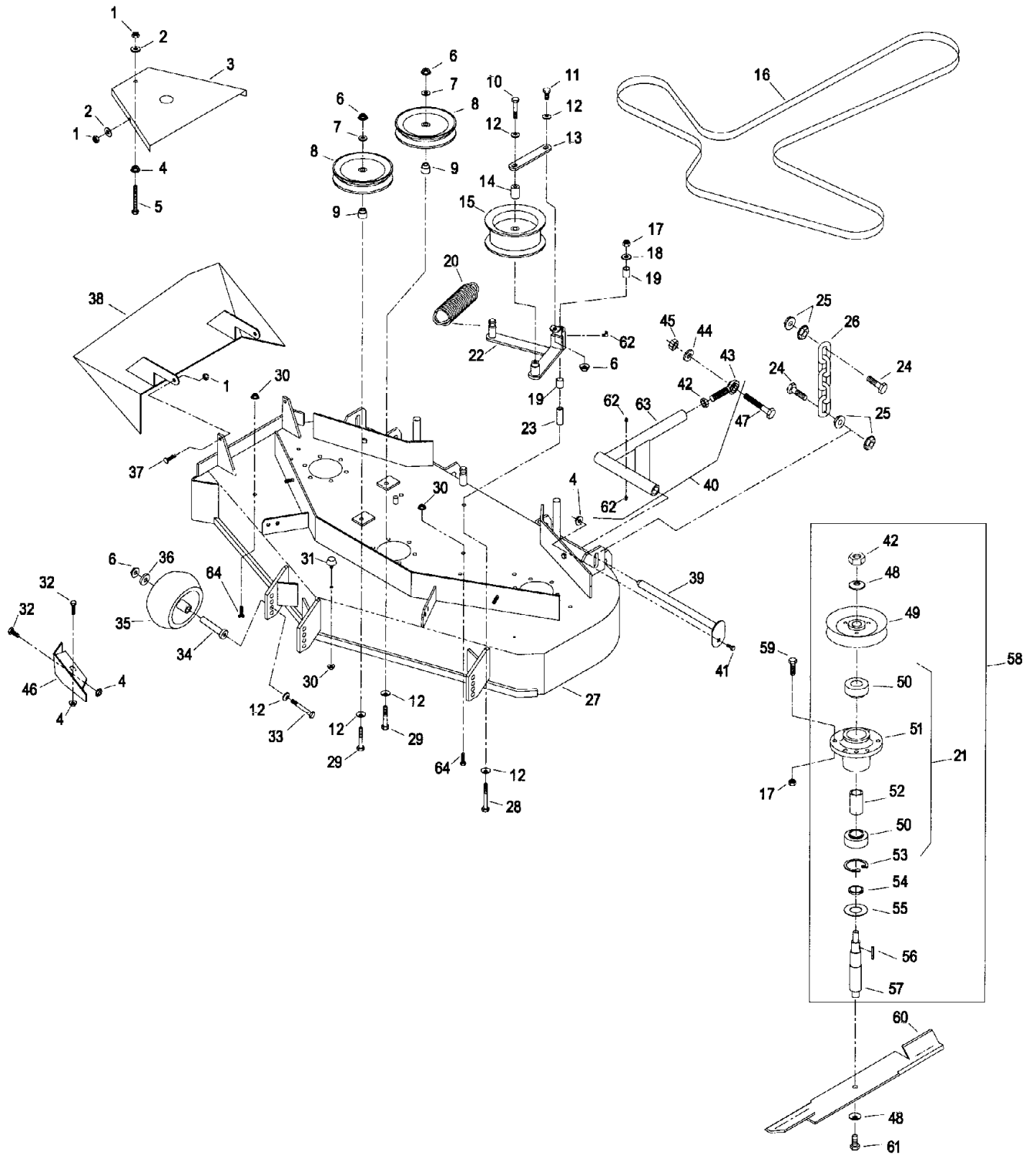
<u>Description</u>	<u>Page</u>
44" and 48" Deck Group	3-4
Decal Group.....	14
Electrical Diagram.....	16
Electrical Group	15
Engine Group.....	13
Front Frame Group	5-6
Fuel Group.....	8
Hydraulic Group	11-12
Main Frame Group.....	7
Motion Control Levers	10
Park Brake Group	9
Upper Handles & Controls	12-13

44" and 48" DECK GROUP

Ref. No.	Part No.	Description	Qty. Req'd.	Ref. No.	Part No.	Description	Qty. Req'd.
1	804256	Nut, nyloc 5/16-18	8	36	373034	Washer, swivel	3
2	805258	Washer, 5/16 std flat	6	37	800273	Screw, 5/16-18 x 1	2
3	523471	Shield, belt	2	38	522478	Chute wldmt, discharge (48")	1
4	809001	Nut, whizlock 5/16-18	6		402106	Chute wldmt, discharge (44")	1
5	800017	Bolt, 5/16 x 3 1/4 tap	2	39	632199	Pin wldmt, deck strut	2
6	809007	Nut, whizlock 3/8-16	6	40	634726	Strut wldmt, assembly	2
7	805259	Washer, 3/8 SAE flat	2	41	800271	Screw, 5/16-18 x 3/4	2
8	613098	Pulley, Idler	2	42	804510	Nut, 5/8-18	5
9	413113	Bushing, idler	2	43	633029	Spherical rod end	2
10	800297	Screw, 3/8-16 x 2 1/4	1	44	805010	Washer, lock 5/8	2
11	800292	Screw, 3/8-16 x 1	1	45	804522	Nut, 5/8-11	2
12	303327	Washer, disc spring 3/8	8	46	522480	Baffle, discharge	1
13	653189	Plate, Belt guide	1	47	800344	Screw, 5/8-11 x 6	2
14	653190	Spacer	1	48	513208	Washer, spring disc	6
15	413099	Pulley, idler	1	49	413424	Sheave, w/hub 6 5/16" O.D. (48")...	3
16	413308	Belt, deck drive (48")	1		653099	Sheave, w/hub 6" O.D. (44").....	3
	413093	Belt, deck drive (44")	1	50	513016	Bearing	6
17	804257	Nut, nyloc 3/8-16	19	51	323532	Housing, spindle	3
18	805260	Washer, 3/8 std flat	1	52	323528	Spacer, bearing	3
19	513034	Bearing, pivot	2	53	808502	Ring, snap	3
20	633151	Spring, extension	1	54	323533	Spacer	3
21	634619	Housing, w/bearing, spacer, & ring .	3	55	633573	Guard, bearing-bottom	3
22	652192	Idler arm wldmt	1	56	807268	Key, machine	3
	654193	Idler arm wldmt w/bushings	1	57	413330	Shaft, spindle	3
23	603384	Bushing, idler pivot	1	58	414335	Housing, cutter assy (complete)(48").	3
24	800811	Screw, 7/16-14 x 1 1/2	8		654206	Housing, cutter assy (complete)(44").	3
25	809073	Nut, whizlock 7/16-14	16	59	800293	Screw, 3/8-16 x 1 1/4	18
26	633447	Chain, deck lift	4	60	323515	Blade, 16.25 notched air foil (48") ...	3
27	654174	Deck weldmt (652104) w/decals & discharge baffle (48")	1		413438	Blade, 16.25 solid air foil (48")	3
	654175	Deck weldmt (652124) w/decals & discharge baffle (44")	1	●	403148	Blade, 16.25 mulching (48")	3
28	800805	Screw, 3/8-16 x 3 1/2	1		403149	Blade, 16.25 low lift (optional) (48")..	3
29	800299	Screw, 3/8-16 x 2 3/4	2		653101	Blade, 15.25 notched air foil (44") ...	3
30	809012	Nut, whizlock 1/4-20 (48")	5		653178	Blade, 15.25 solid air foil (44")	3
	809012	Nut, whizlock 1/4-20 (44").....	2	●	653102	Blade, 15.25 mulching (44")	3
31	523420	Bumper, rubber	1		653179	Blade, 15.25 low lift (optional) (44")..	3
32	800270	Screw, 5/16-18 x 5/8	2	61	800340	Screw, 5/8-11 x 1	3
33	800807	Screw, 3/8-16 x 4 gr 8	3	62	811006	Zerk, 1/4-18 straight	5
34	603602	Bushing, roller	3	63	632690	Strut wldmt,	2
35	603299	Roller, anti-scalp	3	64	800263	Screw, 1/4 x 3/8 (48")	4
					800263	Screw, 1/4 x 3/8 (44")	1

- Requires installation of Micro-Mulch accessory for proper mulching. Mulch kit P/N's MK483(48") & MK443(44")
Exmark red touch up spray paint - P/N 850337

44" and 48" DECK GROUP

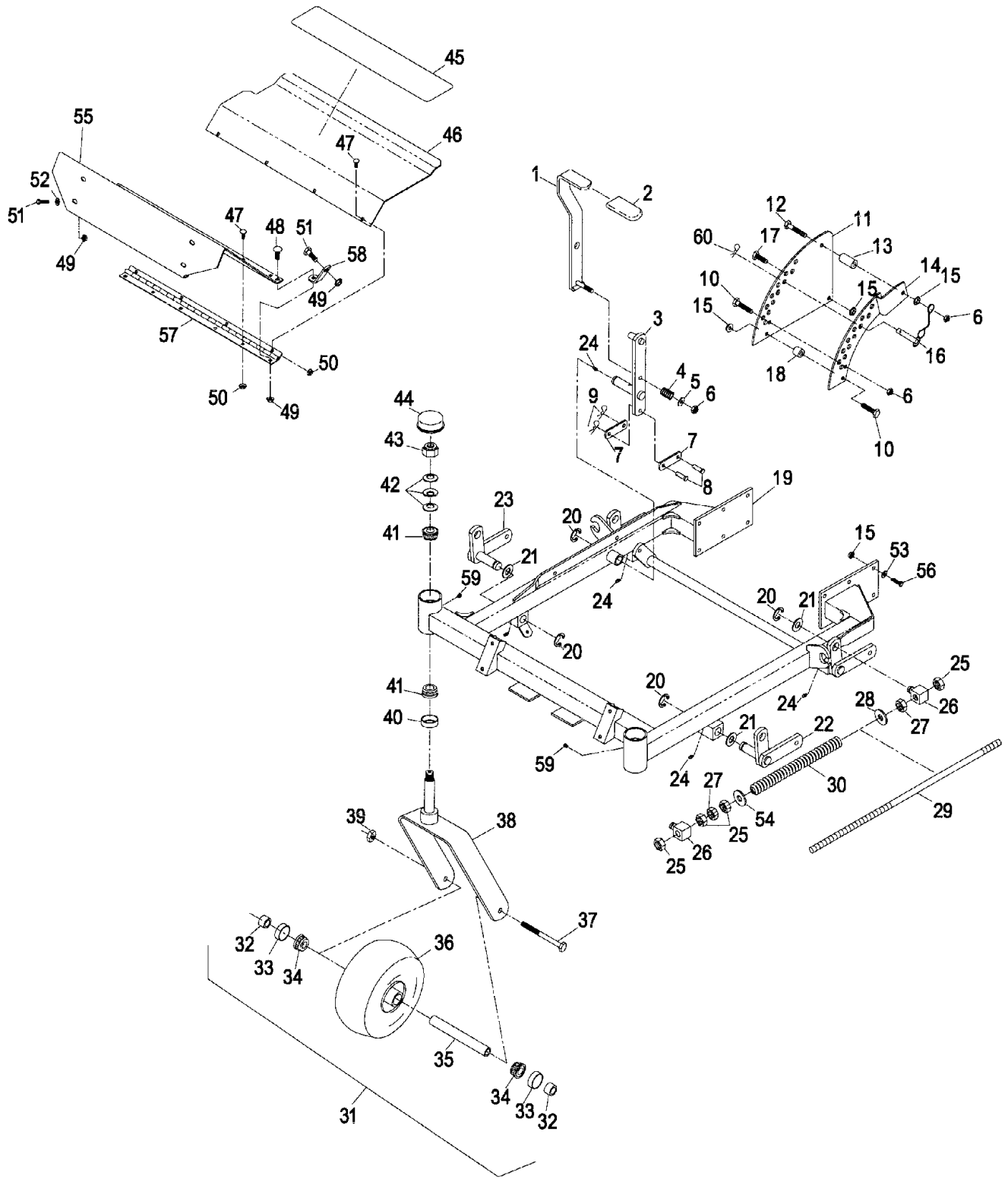


FRONT FRAME GROUP

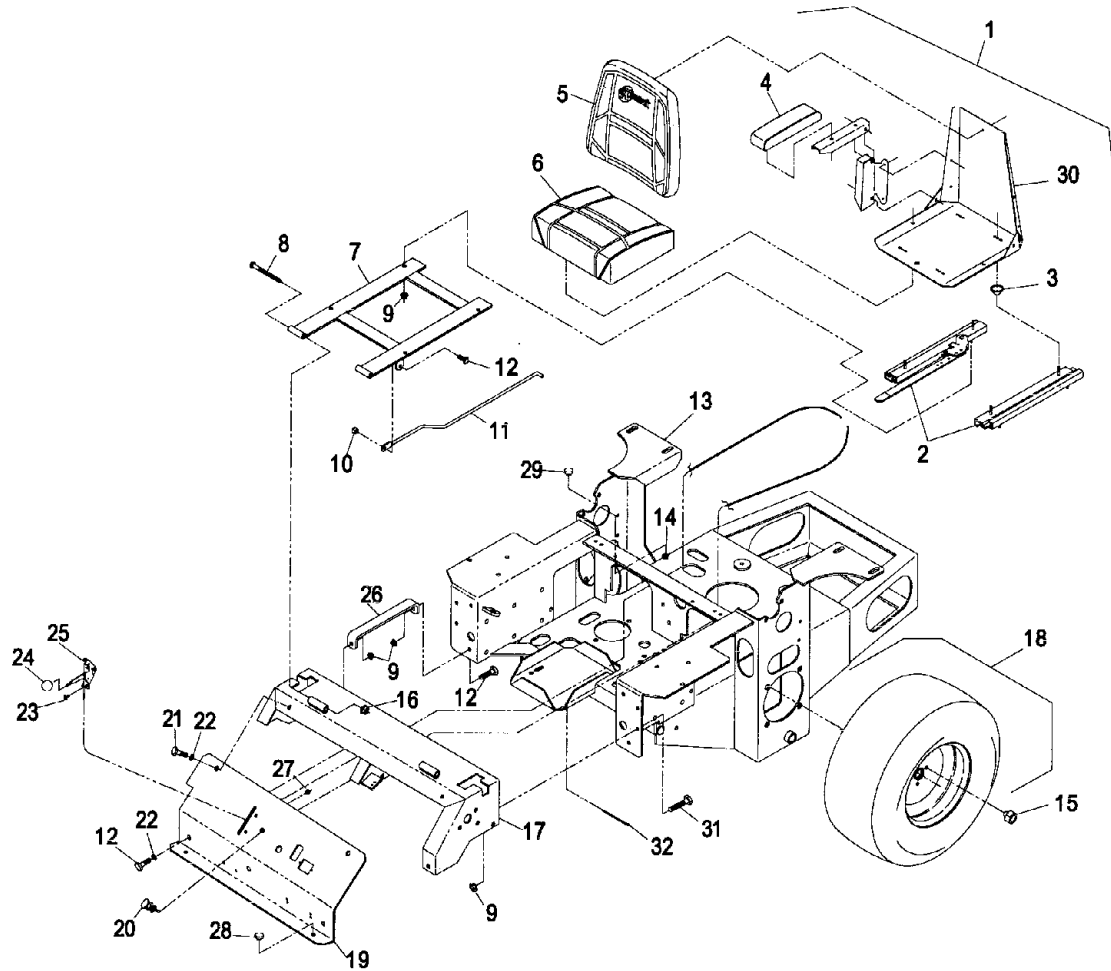
Ref. No.	Part No.	Description	Qty. Req'd.	Ref. No.	Part No.	Description	Qty. Req'd.
1	652023	Lever wldmt, lift	1	33	633580	Seal, bearing	4
2	633295	Grip, lift lever	1	34	633585	Bearing, cone	4
3	652027	Arm wldmt, deck lift	1		633584	Bearing cup	2
4	633325	Spring, compression	1	35	633579	Spacer, front caster	2
5	805259	Washer, 3/8 SAE	1	36	633582	Wheel & tire assy	2
6	804257	Nut, nyloc 3/8-16	3		633002	Tire, 13 x 5.0-6 4 ply	2
7	633068	Arm, deck lift	2		633583	Wheel	2
8	808284	Clevis, pin 3/8 x 1	2	37	800339	Screw, 1/2-13 x 7 1/2	2
9	806003	Hairpin, cotter	2	38	632511	Caster wldmt	2
10	800295	Screw, 3/8-16 x 1 3/4	2	39	804269	Nut, nyloc 1/2-13 (light thin)	2
11	653230	Plate, deck lift	1	40	543511	Seal, grease	2
12	800299	Screw, 3/8-16 x 2 3/4	1	41	543509	Bearing cone, tapered roller	4
13	633082	Bushing, lift lever	1		543508	Bearing cup, tapered roller	4
14	652235	Plate wldmt, deck lift	1	42	633508	Washer, spring disk	6
15	809007	Nut, whizlock 3/8-16	15	43	804266	Nut, nyloc 3/4-10	2
16	633097	Hitch pin w/lanyard	1	44	543513	Cap, grease	2
17	800292	Screw, 3/8-16 x 1	1	45	633553	Pad, anti-skid	3
18	633080	Bushing, lift lever	1	46	653070	Floorpan	1
19	652103	Frame wldmt, front 44"/48"	1	47	807528	Bolt, carriage 1/4-20 x 1/2	10
20	808505	E-ring	7	48	807503	Bolt, carriage 5/16-18 x 3/4	2
21	805271	Washer, 7/8 SAE flat	6	49	809001	Nut, whizlock 5/16-18	8
22	652013	Shaft wldmt, deck lift LH	1	50	809012	Nut, whizlock 1/4-20	10
23	652014	Shaft wldmt, deck lift RH	1	51	800271	Screw, 5/16-18 x 3/4	6
24	811006	Zerk, 1/4-28 straight	5	52	805257	Washer, 5/16 SAE flat	4
25	804522	Nut, 5/8-11 regular	8	53	303327	Washer, 3/8 disc spring	12
26	633441	Swivel, deck mount	4	54	805267	Washer, 5/8 SAE flat	2
27	804755	Jam nut, 5/8-11	4	55	653052	Floorpan, front	1
28	805268	Washer, 5/8 std flat	2	56	800293	Screw, 3/8-16 x 1 1/4	12
29	653011	Rod, deck lift	2	57	653049	Hinge, floorpan (piano)	1
30	653009	Spring, deck support	2	58	653039	Bracket, floorpan	2
31	632586	Caster wheel assy	2	59	811010	Plug	2
32	633581	Spacer, bearing	4	60	806005	Hairpin, cotter (service only)	1

Exmark red touch up spray paint - P/N 850337

FRONT FRAME GROUP



MAIN FRAME GROUP



Ref. No.	Part No.	Description	Qty. Req'd.
1	634691	Seat, complete w/armrests	1
2	523428	Track, seat (4" adjustable)	1
3	543401	Spacer, seat track	4
4	543409	Cushion, armrest (RH)	1
	* 543411	Cushion, armrest (LH)	1
5	543408	Cushion, backrest	1
6	543407	Cushion, seat	1
7	632187	Frame, seat mount	1
8	800306	Screw, 3/8-16 x 5	2
9	809001	Nut, whizlock 5/16-18	12
10	804256	Nut, nyloc 5/16-18	1
11	653148	Rod, seat hold up	1
12	800273	Screw, 5/16-18 x 1	3
13	652108	Frame, engine deck	1
14	809012	Nut, whizlock 1/4-20	2
15	† 513011	Nut, wheel 1/2-20	8
	633273	Bolt, wheel 1/2-20 x 7/8	8
16	804257	Nut, nyloc 3/8-16	2
17	652242	Console wldmt, front	1

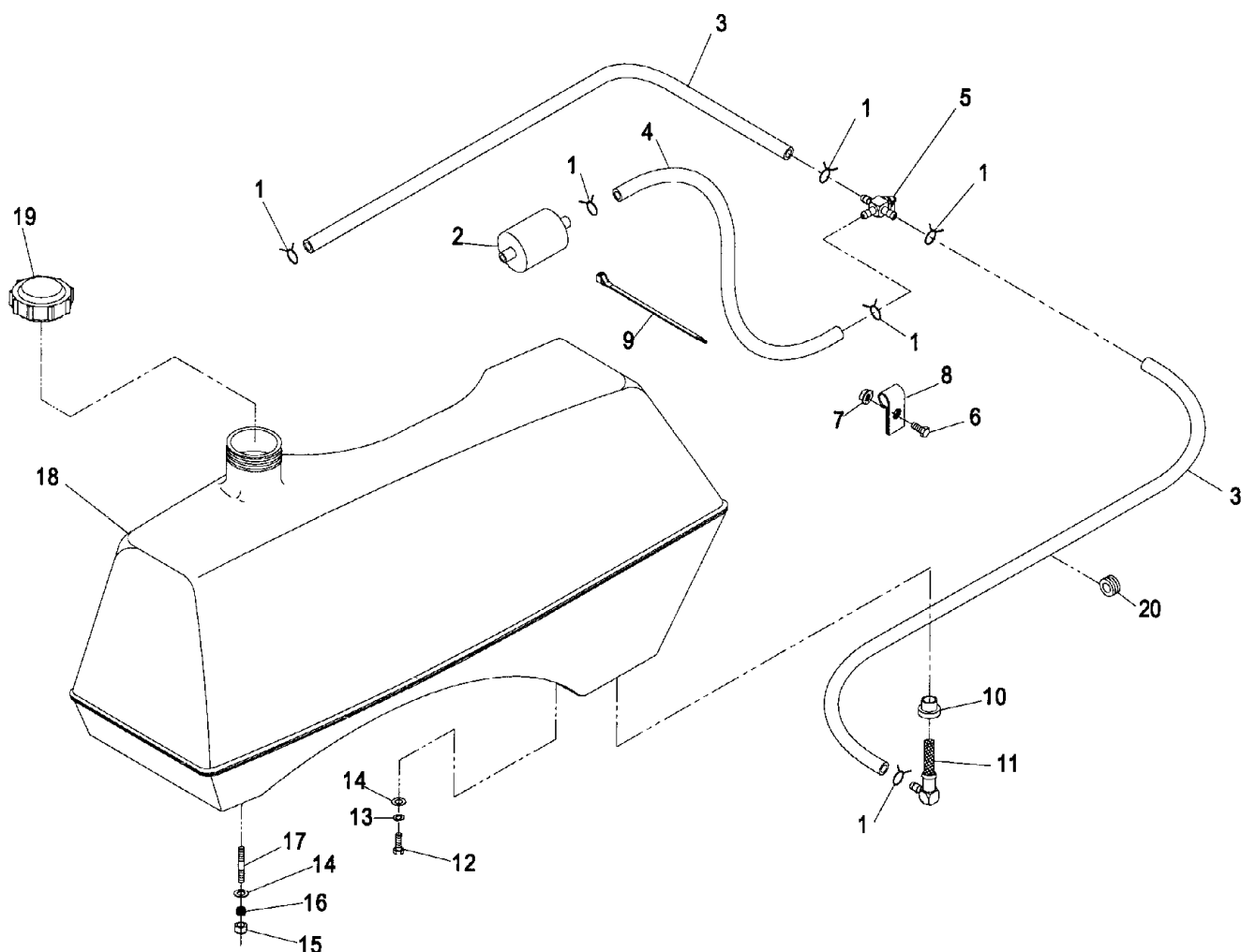
Ref. No.	Part No.	Description	Qty. Req'd.
18	653010	Wheel/tire assy (44" deck)	2
	653159	Wheel/tire assy (48" deck)	2
	653158	Wheel (44" deck)	2
	653161	Wheel (48" deck)	2
	653160	Tire, 23 x 9.5-12 4 ply	2
19	653243	Panel, instrument	1
20	603336	Cable, choke	1
21	800271	Screw, 5/16-18 x 3/4	3
22	805257	Washer, flat 5/16 SAE	4
23	807513	Bolt, carriage #10-24 x 1/2	2
24	513592	Ball, (red) throttle cable	1
25	633696	Cable, throttle	1
26	653089	Bracket, instrument panel	1
27	804252	Nut, nyloc #10-24	2
28	513658	Bumper	2
29	523420	Bumper, rubber	2
30	633859	Seat frame	1
31	800270	Screw, 5/8-18 x 5/8	6
32	303335	Tie, plastic.....	1

* Not Illustrated

† Some units have hubs with studs intalled and require wheel nuts, some units have hubs without studs and require wheel bolts.

Exmark black touch up spray paint - gloss black

FUEL GROUP



Ref. No.	Part No.	Description	Qty. Req'd.
1	303077	Clamp, fuel line	6
2	◆ Kohler Part No. 2405002	Fuel filter	1
	Kawasaki Part No. 49019-7001	Fuel filter	1
3	543526	Fuel line	2
4	633348	Fuel line	1
5	633347	Valve, fuel	1
6	800252	Screw, 1/4-20 x 3/4 (18 Koh only)...	1
7	804255	Nut, whizlock 1/4-20 (18 Koh only)...	1
8	513762	Clip, loom .50 (18 Koh only)	1
9	303335	Plastic tie (large)	1
10	513645	Bushing	2

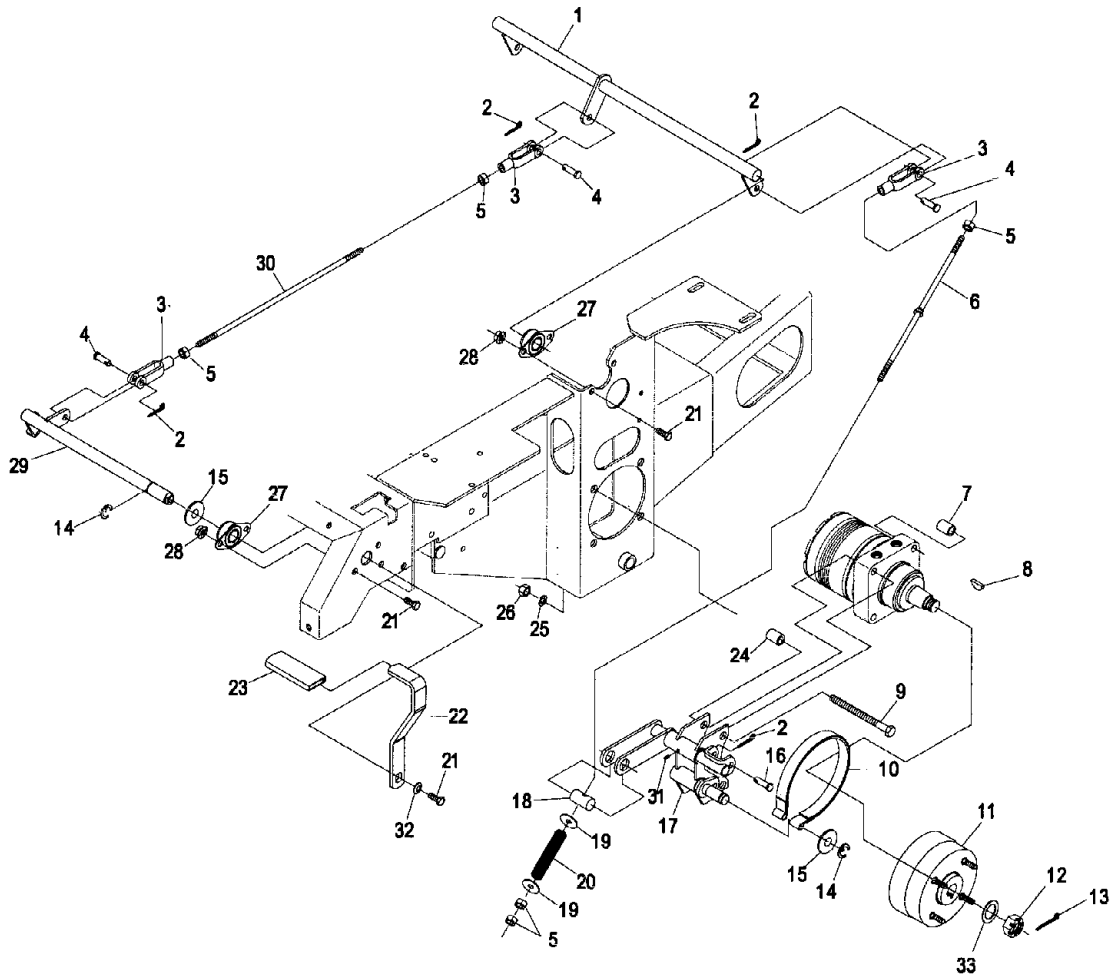
Ref. No.	Part No.	Description	Qty. Req'd.
11	543277	Elbow, strainer	2
12	800271	Screw, 5/16-18 x 3/4	4
13	805005	Washer, lock 1/4	4
14	805257	Washer, 5/16 SAE	8
15	804256	Nut, nyloc 5/16-18	4
16	633349	Spring, fuel tank	4
17	◇ 633023	Stud, fuel tank	4
18	653137	Tank, fuel (LH)	1
	* 653138	Tank, fuel (RH)	1
19	513508	Cap, fuel tank	2
20	543296	Grommet, fuel line	2

* Not Illustrated

◇ Use Pro-Lock, Retaining Type (P/N 840023, .5ml tube) on stud threads going into tank

◆ Refer to Engine Owner's Manual (Fuel filter **Must** be 15 Micron or smaller).

PARK BRAKE GROUP



Ref. No.	Part No.	Description	Qty. Req'd.
1	652073	Crank wldmt, brake	1
2	806761	Pin, cotter 1/8 x 3/4	6
3	633131	Yoke	4
4	808285	Pin, clevis 3/8 x 1 1/8	4
5	804525	Nut, 3/8-24	8
6	633477	Rod, brake	2
7	653068	Spacer (long) 44"/48" deck	4
8	807020	Woodruff key, 5/16 x 1	1
9	800338	Screw, 1/2-13 x 3 1/4	8
10	633693	Band, brake	2
11	† 634927	Hub & drum w/studs, wheel	2
	633926	Sutd, wheel	4
	633548	Hub & drum, wheel	2
12	809036	Nut, slotted 1.00-20	2
13	806800	Pin, cotter 9/64 x 1 1/2	2
14	808514	E-ring, retaining	3
15	805269	Washer, 3/4 SAE flat	3
16	808283	Pin, clevis 3/8 x 2	2

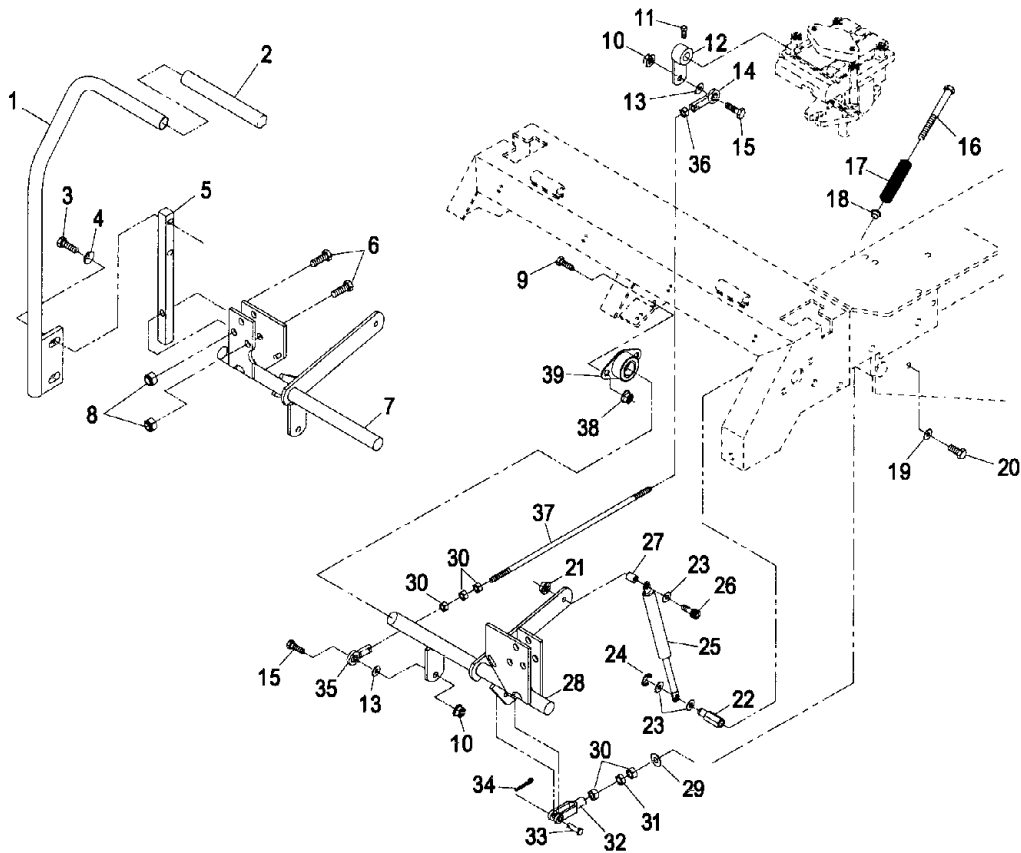
Ref. No.	Part No.	Description	Qty. Req'd.
17	652134	Bracket wldmt, brake LH	1
	* 652135	Bracket wldmt, brake RH	1
18	633144	Pin, trunion	2
19	805260	Washer, 3/8 std	4
20	633454	Spring, brake rod	2
21	800290	Screw, 3/8-16 x 3/4	9
22	653074	Lever, brake	1
23	633268	Grip, brake lever	1
24	653069	Spacer (short) 44"/48" deck	4
25	805008	Washer, lock 1/2	8
26	804509	Nut, 1/2-13	8
27	633102	Bearing, flange	4
28	809007	Nut, whizlock 3/8-16	8
29	652085	Shaft wldmt, brake	1
30	653061	Linkage, brake handle	1
31	811007	Zerk, grease	2
32	303327	Washer, disc spring 3/8	1
33	523157	Washer, spacer	2

* Not Illustrated

† Some units have hubs with studs installed and require wheel nuts, some units have hubs without studs and require wheel bolts.

Exmark black touch up spray paint - gloss black

MOTION CONTROL LEVERS



Ref. No.	Part No.	Description	Qty. Req'd.
1	634259	Handle w/grip (RH)	1
	632193	Handle, motion control (RH)	1
	* 634258	Handle w/grip (LH)	1
	632191	Handle, motion control (LH)	1
2	633257	Grip, motion control handle	2
3	800292	Screw, 3/8-16 x 1	4
4	303327	Washer, disc spring 3/8	4
5	633177	Arm, control shaft	2
6	800295	Screw, 3/8-16 x 1 3/4	6
7	652106	Bracket, motion control (RH)	1
8	804257	Nut, nyloc 3/8-16	6
9	800290	Screw, 3/8-16 x 3/4	8
10	809001	Nut, whizlock 5/16-18	4
11	◆ 803022	Setcrew, 5/16 x 5/8	2
12	653092	Arm, pump control	2
13	805258	Washer, 5/16 std	4
14	633152	Ball joint (LH)	2
15	800274	Screw, 5/16-18 x 1 1/4	4
16	603737	Bolt, (neutral return)	2
17	603807	Spring, (neutral return)	2
18	603735	Bushing, nylon (reverse ind.)	2

Ref. No.	Part No.	Description	Qty. Req'd.
19	303334	Washer, disc spring 5/16	2
20	800271	Screw, 5/16-18 x 3/4	2
21	809012	Nut, whizlock 1/4-20	2
22	653165	Pin, Damper Anchor	2
23	805257	Washer, 5/16 SAE	6
24	808512	E-ring	2
25	523027	Dampener	2
26	◇ 809057	Bolt, shoulder 5/16 x 3/4	2
27	603903	Spacer	2
28	652105	Bracket, motion control (LH)	1
29	805256	Washer, 1/4	2
30	804521	Nut, 5/16-24	10
31	804758	Nut, jam 5/16-24	2
32	303105	Yoke	2
33	808280	Pin, clevis 5/16 x 1	2
34	806753	Pin, cotter 3/32 x 1/2	2
35	543017	Ball joint (RH)	2
36	804524	Nut, 5/16-24 (LH)	2
37	653046	Link, pump control	2
38	809007	Nut, whizlock 3/8-16	8
39	633102	Bearing, flanged	4

* Not Illustrated

◆ Use Pro-Lock, Nut Type (P/N 840022, .5ml tube) on setscrews

◇ Use Pro-Lock, Retaining Type (P/N 840023, .5ml tube) on damper mounting shoulder bolts

Exmark black touch up spray paint - gloss black

HYDRAULIC GROUP

Ref. No.	Part No.	Description	Qty. Req'd.	Ref. No.	Part No.	Description	Qty. Req'd.
1	513167	Cap, hydraulic reservoir	1	25	603827	Clamp, hose (5/8)	5
2	523103	Gasket, tank cap	1	26	603721	Fitting, hose tee (3/8 I.D. hose)	1
3	800260	Screw, 1/4-20 x 2 1/2	2	27	513840	Elbow, 90°	2
4	809012	Nut, whizlock 1/4-20	2		603921	O-ring	1
5	* 512166	Reservoir, hydraulic fluid	1	28	603841	Pump, hydro	2
6	603987	Elbow, 90°	1	29	413273	Hose, lo pressure	2
7	654145	Hose, supply	1	30	653187	Hose, RH rear	1
8	654197	Hose, charge line	1	31	809007	Nut, whizlock 3/8-16	7
9	800273	Screw, 5/16-18 x 1	2	32	800293	Screw, 3/8-16 x 1 1/4	4
10	513510	Connector, male	1	33	513034	Bearing	2
11	* 603720	Head, filter	1	34	652142	Arm wldmnt, idler	1
12	809001	Nut, whizlock 5/16-48	2	35	811008	Zerk, 90° 1/4-28	1
13	513211	Element, oil filter	1	36	603044	Bushing, idler pivot	1
	▽ 523541	Element, oil filter (winter)	1	37	805260	Washer, 3/8 std flat	1
14	653186	Hose, RH & LH front	2	38	800299	Screw, 3/8-16 x 2 3/4	1
15	653188	Hose, LH rear	1	39	800295	Screw, 3/8-16 x 1 3/4	2
16	633605	Elbow, 90°	4	40	603843	Pulley, idler	1
	603919	Boss O-ring	1	41	805259	Washer, 3/8 SAE flat	1
	603992	Flare O-ring	1	42	654143	Arm, idler w/bearings	1
17	523328	Wheel motor	2	43	807272	Key 5 x 5 x 25 mm.....	2
	000009	Kit, bearing	1	44	◇ 803050	Setscrew, .312-18 x .75	4
	000139	Kit, seal	1	45	653156	Sheave, pump drive	2
18	603990	Adapter, straight thread	4	46	603414	Spring, extension	1
	603920	Boss O-ring	1	47	804257	Nut, nyloc 3/8-16	1
	603992	Flare O-ring	1	48	653163	Belt, pump drive	1
19	603989	Elbow, 90°	2	49	801063	Screw, 1/4-20 x 2 pan head	2
	603923	O-ring	1	50	804255	Nut, nyloc 1/4-20	2
20	632285	Hose assy, lo pressure 11.5" gray... 1	1	51	613073	Grip, dump valve	2
21	654144	Hose, case drain	1	52	213069	Washer, #10 x 1 1/2	1
22	632286	Hose assy, lo pressure 4.5" gray..... 1	1	53	303327	Washer, disc spring	1
23	603826	Clamp, hose (1/2)	3	54	603988	Elbow, 90°	1
24	603722	Fitting, hose tee (1/4 I.D. hose)	1	55	603496	Bushing, idler	1

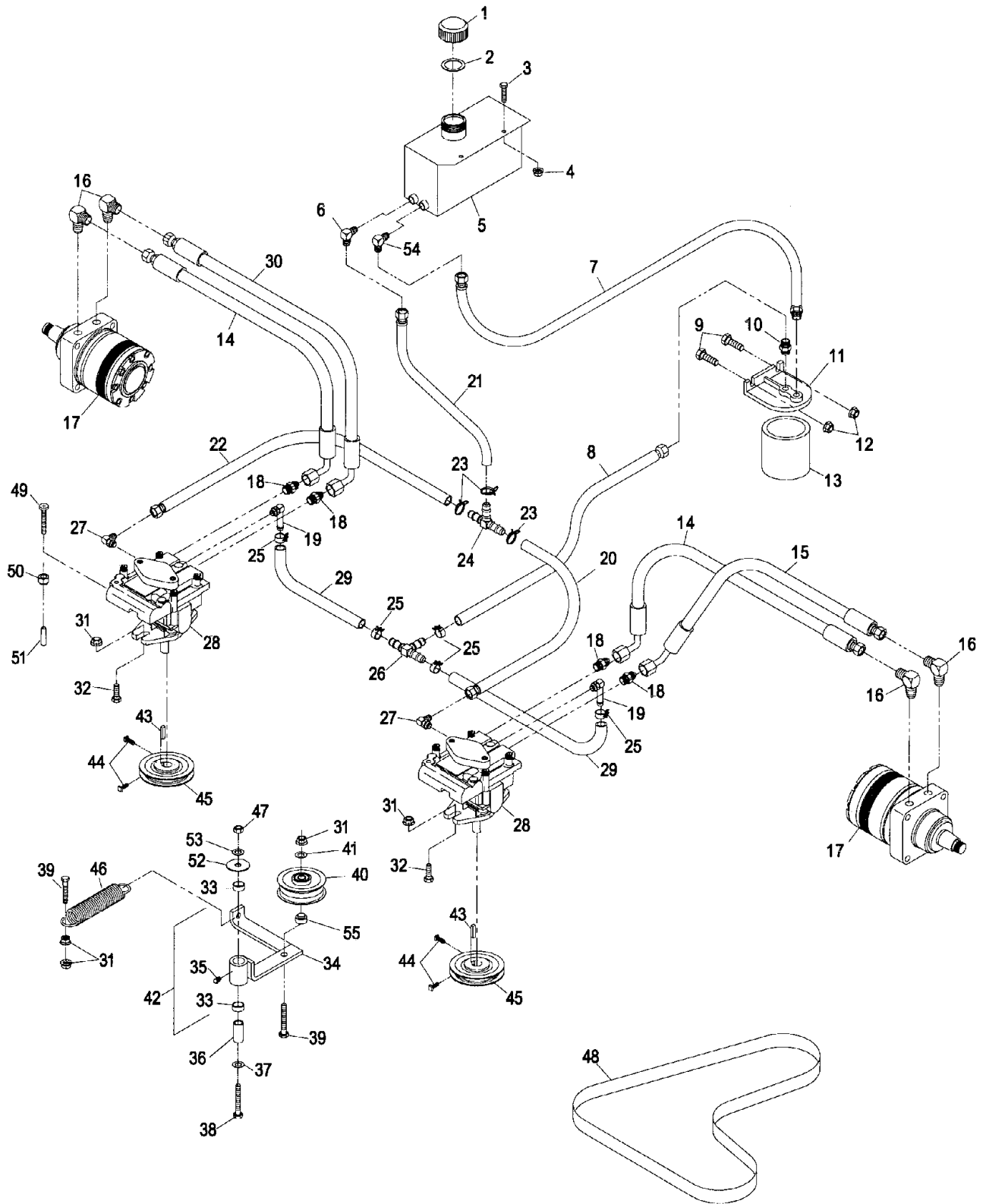
* Use Teflon Pipe Sealant or equivalent on hydraulic reservoir and filter head fittings.

▽ Use only for operation below 32° F (0° C)

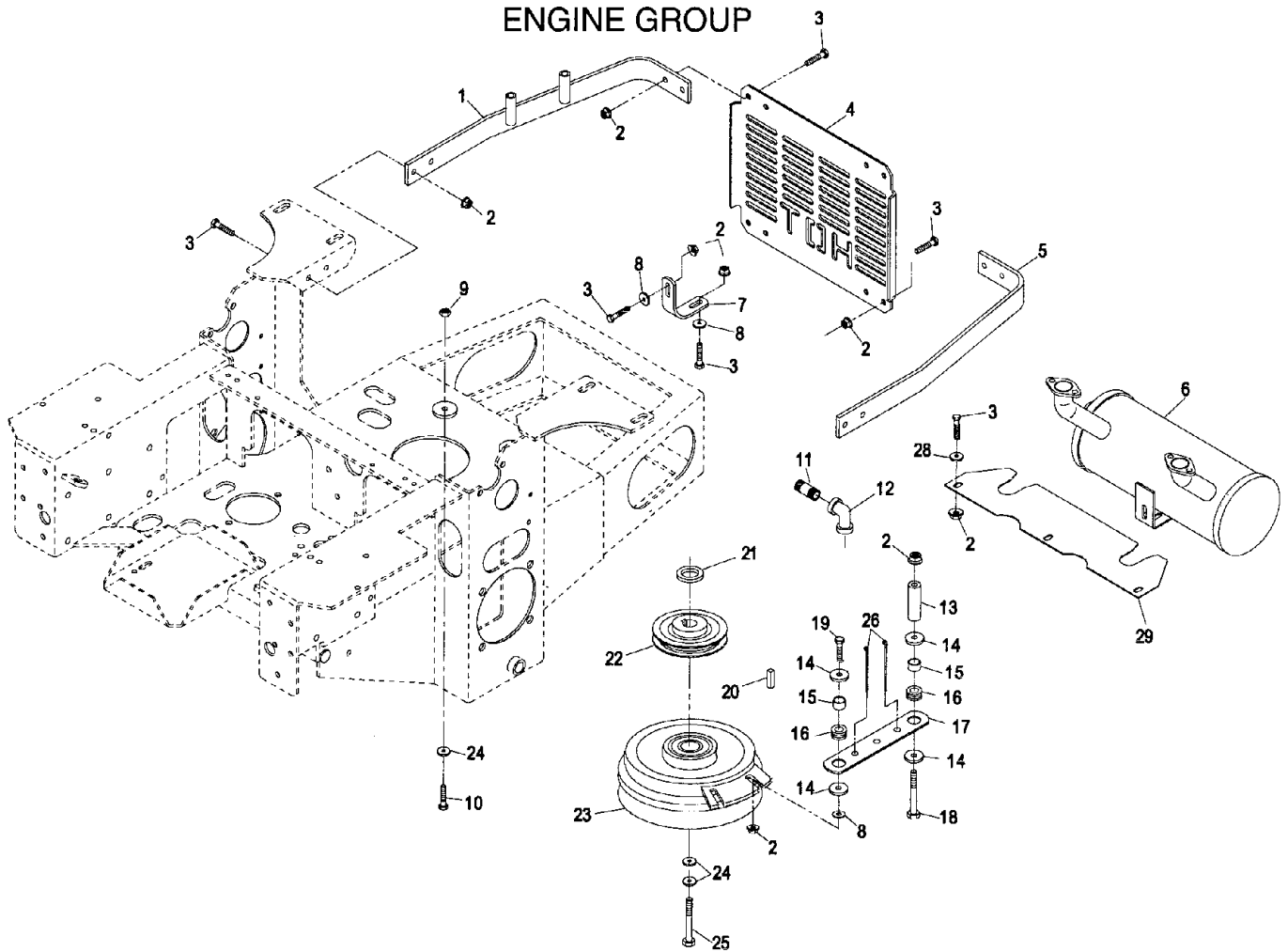
Exmark black touch up spray paint - gloss black

◇ Use Pro-Lock, Nut Type (P/N 840022, .5ml tube) on setscrews.

HYDRAULIC GROUP



ENGINE GROUP



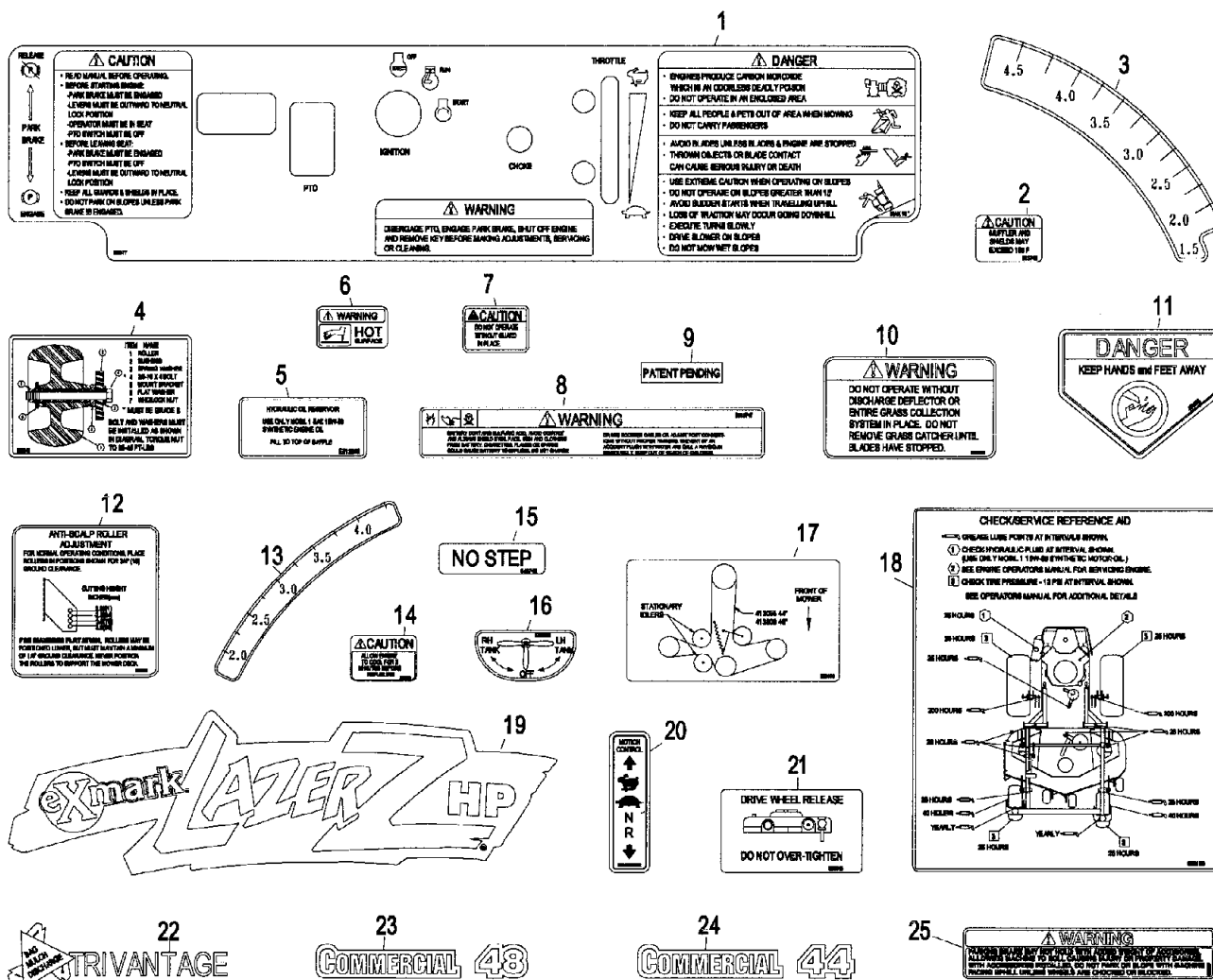
Ref. No.	Part No.	Description	Qty. Req'd.
1	652146	Strap wldmt, engine guard	1
2	809001	Nut, whizlock 5/16-18	19
3	800271	Screw, 5/16-18 x 3/4	17
4	653095	Shield, engine guard.....	1
5	653093	Strap, engine guard	1
6	653194	Muffler (17hp Kaw Only)	1
	653195	Muffler (18hp Koh Only)	1
	653260	Muffler (19hp Kaw Only)	1
7	653196	Bracket, muffler support	1
8	805258	Washer, 5/16 std flat)	2
9	804256	Nut, nyloc 5/16-18 (Kaw)	4
	809001	Nut, whizlock 5/16-18 (Koh)	4
10	800276	Screw, 5/16-18 x 1 3/4	4
11	543064	Pipe Nipple (Koh)	1
12	303428	Elbow, 90° (Koh)	1
13	523406	Bushing, seat mount	1
14	613235	Washer	4
15	633545	Spacer, grommet	2
16	633630	Grommet	2

Ref. No.	Part No.	Description	Qty. Req'd.
17	633543	Strap, clutch/brake	1
18	800283	Screw, 5/16-18 x 3 1/2	1
19	800274	Screw, 5/16 NC x 1 1/4	1
20	807259	Key	1
21	543214	Spacer, crankshaft (17hp Kaw & Koh Only).....	1
22	653035	Sheave, pump drive (17hp Kaw & Koh)	1
	653293	Sheave, pump drive (19hp Kaw).....	1
23	653048	Clutch (17hp Kaw & Koh).....	1
	653292	Clutch (19hp Kaw).....	1
24	603610	Washer, disc spring 7/16	2
25	◆ 800820	Screw, 7/16-20 x 3 (Kaw)	1
	◆ 800819	Screw, 7/16-20 x 2 1/2 (Koh).....	1
26	303335	Plastic tie (large)	2
27	303334	Washer, spring disc	4
28	805257	Washer, 5/16 SAE flat	3
29	653285	Shield, heat (17hp Kaw)	1
	653286	Shield, heat (18hp Koh).....	1
		Shield, heat (19hp Kaw).....	1

* Not Illustrated

◆ Use Pro-Lock, Nut Type (P/N 840022, .5ml tube) on clutch bolt
Exmark black touch up spray paint - gloss black

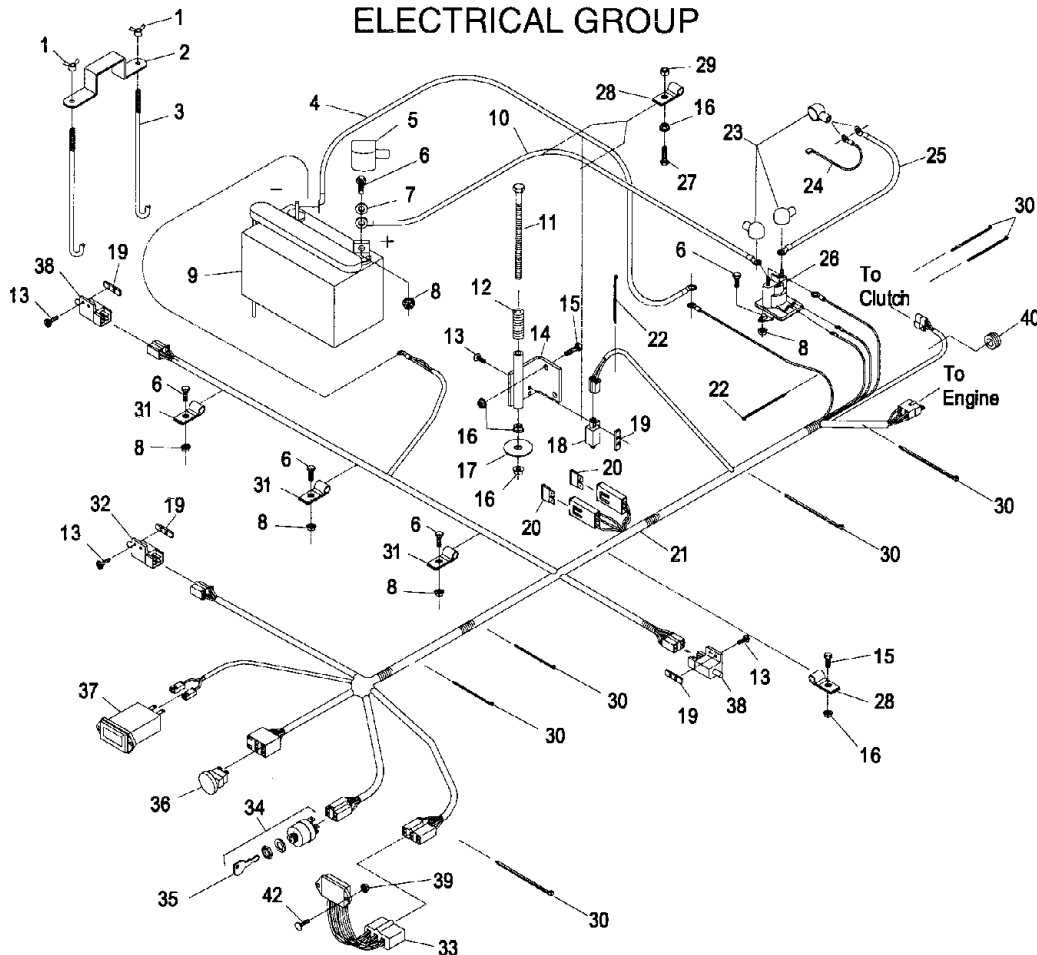
DECAL GROUP



Ref. No.	Part No.	Description	Qty. Req'd.
1	653245	Decal, Panel	1
2	513746	Decal, Muffler	2
3	653140	Decal, Deck Height	1
4	323540	Decal, Roller Mounting	1
5	513890	Decal, Hydraulic Tank	1
6	633770	Decal, Hot Surface	1
7	513748	Decal, Guard	1
8	513747	Decal, Battery	1
9	373066	Decal, Patent Pending	2
10	303508	Decal, Discharge Warning	1
11	403005	Decal, Danger	2
12	633922	Decal, Anti-Scalp	1
13	653147	Decal, Deck Height	1

Ref. No.	Part No.	Description	Qty. Req'd.
14	303293	Decal, 2 Minute Cool	2
15	513742	Decal, No Step	2
16	633346	Decal, Fuel Valve	1
17	653176	Decal, Belt Routing	1
18	653183	Decal, Check Service	1
19	653139	Decal, Swash	2
20	633354	Decal, Motion Control	2
21	603845	Decal, Hydro Drive Release	1
22	303520	Decal, Trivantage	1
23	403131	Decal, Commercial 48	1
24	523417	Decal, Commercial 44	1
25	633827	Decal, Park Brake Warning	1
	654204	Decal Kit	

ELECTRICAL GROUP



Ref. No.	Part No.	Description	Qty. Req'd.
1	543792	Wingnut, nyloc 1/4-20	2
2	633652	Strap, battery holddown	1
3	633651	Bolt, battery holddown	2
4	523282	Cable, ground (-)	1
5	543391	Insulator, battery	1
6	800252	Screw, 1/4-20 x 3/4	7
7	805256	Washer, 1/4 fiat	2
8	809012	Nut, 1/4-20 whizlock	7
9	603479	Battery, 12V	1
10	523281	Cable, battery (+)	1
11	800282	Screw, 5/16-18 x 7	1
12	523415	Spring, seat switch	1
13	803028	Screw, #10-24 x 5/8	8
14	652072	Bracket wldmt, seat switch	1
15	800271	Screw, 5/16-18 x 3/4	3
16	809001	Nut, whizlock 5/16-18	6
17	653036	Washer	1
18	513152	Switch, seat	1
19	633181	Plate	4
20	816001	Fuse-20 amp	2
21	653154	Harness, wiring (Koh)	1
	653181	Harness, wiring (Kaw)	1

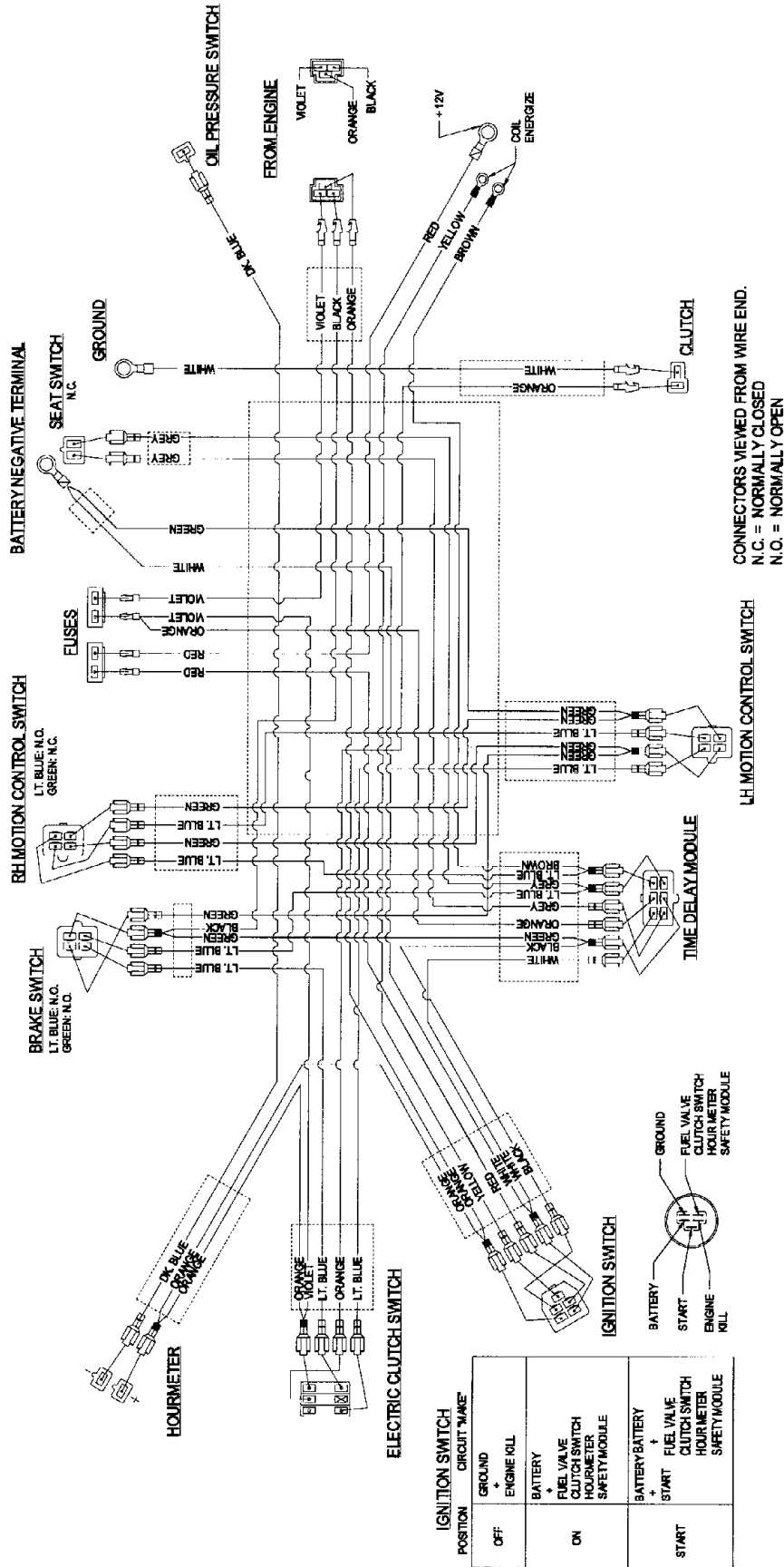
Ref. No.	Part No.	Description	Qty. Req'd.
22	303287	Plastic tie, small	2
23	543393	Insulator, solenoid (+)	3
24	543084	Wire, starter solenoid	1
25	633306	Cable, starter (+)	1
26	513075	Switch, 12V solenoid	1
27	800279	Bolt, Tap 5/16-18 x 1 1/4	1
28	633396	Clip, loom 5/8.....	2
29	804256	Nut, nyloc 5/16-18	1
30	303335	Plastic tie, large (Kaw).....	8
	303335	Plastic tie, large (Koh).....	7
31	323229	Clip, loom 3/8	3
32	633110	Switch, brake N.O./N.O.	1
33	543316	Module, safety interlock	1
34	543070	Switch, ignition w/keys	1
35	603511	Keys, ignition	1
36	633673	Switch, blade	1
37	513374	Meter, engine hours	1
38	633111	Switch, drive lever N.O./N.C.	2
39	804252	Nut, nyloc #10-20	2
40	543286	Grommet	1
41	633082	Spacer.....	1
42	807533	Carraige Bolt, #10-24 x 5/8.....	2

* Not Illustrated

◆ Use dielectric grease on all wiring harness connectors.

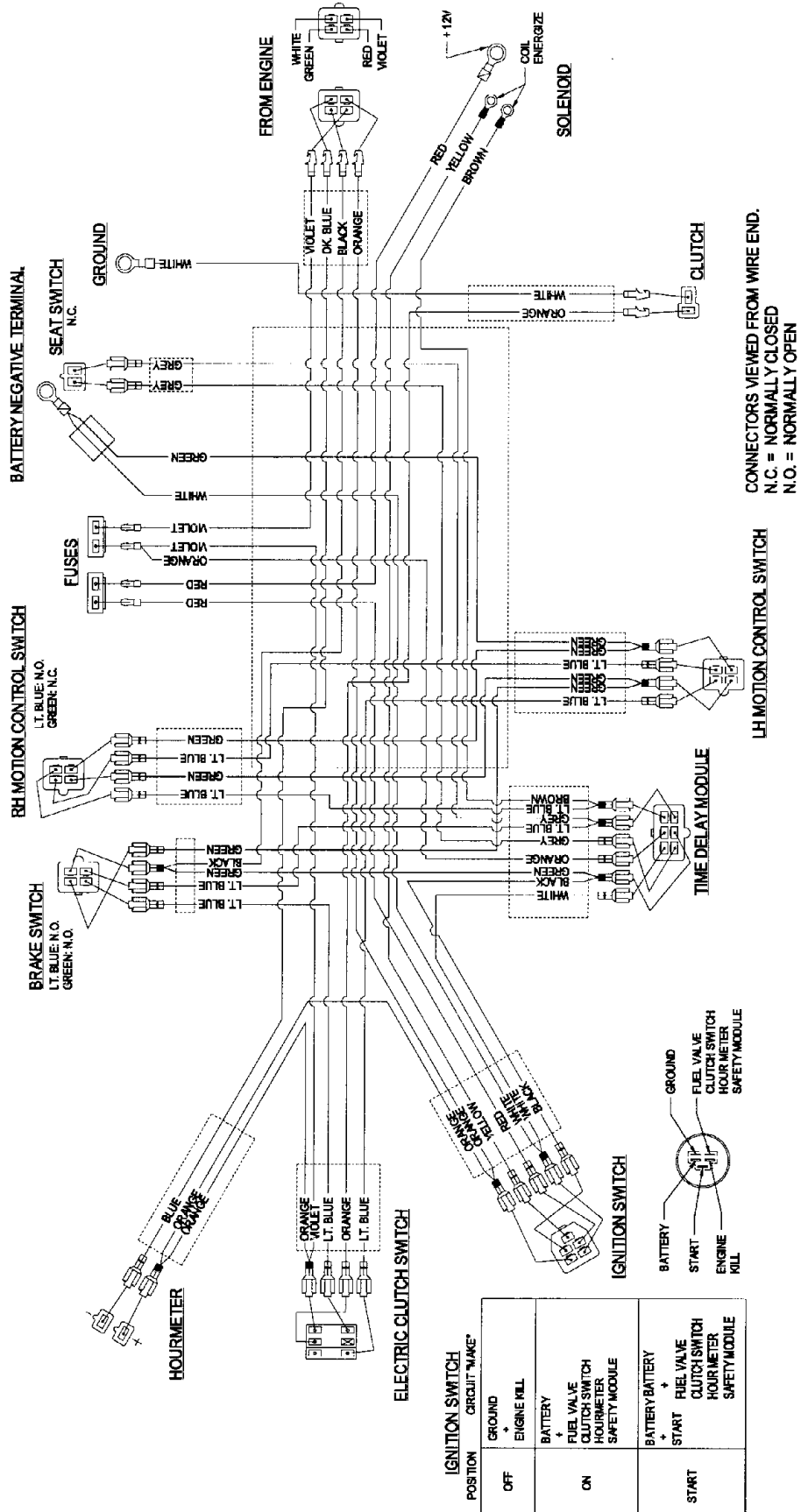
ELECTRICAL DIAGRAM

17 & 19 HP KAWASAKI



ELECTRICAL DIAGRAM

18 HP KOHLER



NOTES

**SEE EXMARK'S COMPLETE
LINE OF PRODUCTS FOR TURF CARE**

LAZER Z™

LAZER Z™ HP

EXPLORER®

TURF RANGER®

TURF TRACER®

TURF TRACER® HP

VIKING HYDRO

METRO™

METRO™ HP

SELF STEERING SULKY

GRASS CATCHER

MICRO-MULCH™ ACCESSORY

©1997,1998 EXMARK MFG. CO. INC.
INDUSTRIAL PARK BOX 808
BEATRICE, NE 68310

PART NO. 850609
(402) 223-6300
FAX (402) 223-5489

ALL RIGHTS RESERVED

PRINTED IN U.S.A.

