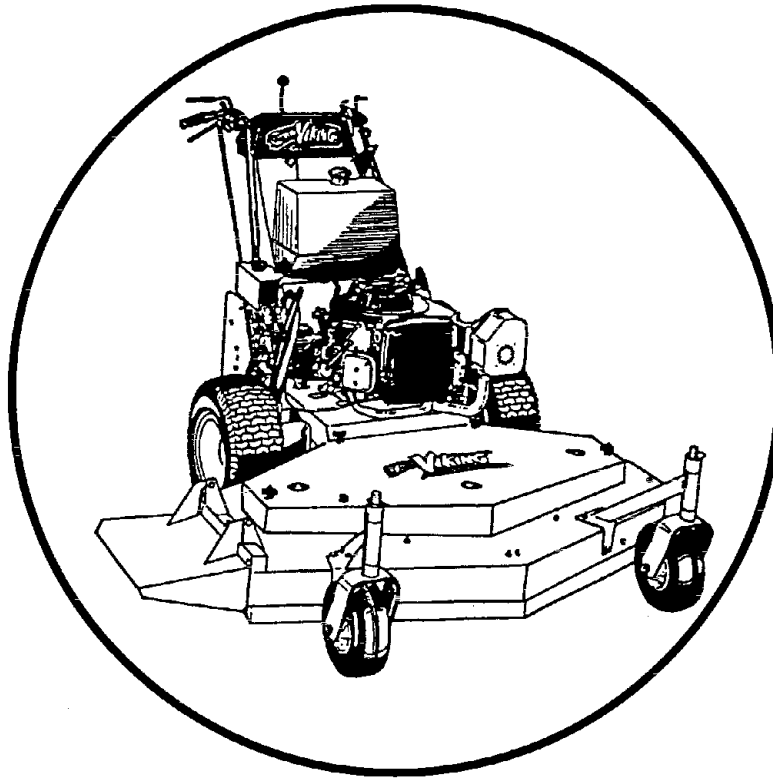




For Serial Nos.
160,000 and Higher

VIKING HYDRO



Parts Manual

CONGRATULATIONS on the purchase of your new Exmark mower. This product has been carefully designed and manufactured to give you a maximum amount of dependability and years of trouble-free operation.

If additional information is needed, or should you require trained mechanic service, contact your authorized Exmark equipment dealer or distributor.

If you need to order replacement parts from your dealer, always give the model number and serial number of your mower as well as the part number, description and quantity of the part needed.

The Serial No. plate is located on the top front engine frame on the right hand side of the machine.

For ease of ordering and reference, we suggest that you record the information requested in the following identification table.

Model No. _____

Serial No. _____

Date Purchased _____

Purchased From _____

Paste Label From
Literature Packet Here



Part No. 850565

EXMARK PARTS PLUS® PROGRAM

EFFECTIVE DATE: September 1, 1995

Program

If your Exmark dealer does not have the Exmark part in stock, Exmark will get the parts to the dealer the next business day or the part will be FREE* Guaranteed!!

How the Program Works

1. If dealer does not have part in stock for a "down" unit at the time of request by customer, the dealer contacts his distributor by 1:00 p.m., local time, and requests Exmark Parts Plus® shipment of six (6) line items or less.
2. Distributor ships part(s) to dealer or customer, as requested by dealer, same day, overnight UPS Distributor bills dealer for part and freight charges where applicable.
3. If distributor does not have the part(s) in stock to satisfy Exmark Parts Plus® order, he contacts Exmark by 3:00 p.m., central time, with an Exmark Parts Plus® order of six (6) line items or less.
4. If order is received by 3:00 p.m. central time, Exmark ships part(s) direct to dealer or customer, as requested by distributor, same day, overnight UPS Exmark bills the distributor for parts and shipping charges, where applicable.
5. The customer pays for the part and freight if it is shipped under the Exmark Parts Plus® and if it arrive in accordance to the program.
6. Who pays for the part and freight if it fails to arrive overnight in accordance to the program?
 - A. Under any circumstance the customer does not pay.
 - B. If the part does not arrive overnight due to:
 1. The dealer not submitting the Exmark Parts Plus® order to his Exmark distributor by 1:00 p.m., the dealer pays for the part and freight.
 2. The Distributor being unable to ship the part the same day or not submitting the Exmark Parts Plus® order to Exmark by 3:00 p.m., central time, the Distributor pays for the part and freight.
 3. Exmark being unable to ship the part and the Exmark parts order is received by 3:00 p.m., central time, Exmark pays for the part and freight.
 4. If the part does not arrive overnight due to the shipper (UPS), the shipper pays for the freight and Exmark pays for the part.



The following restrictions apply -- The Exmark Parts Plus® Program is available only through participating Exmark Dealers and applies only to orders submitted on this program Monday through Thursday. UPS has initiated a Saturday delivery program to many areas of the continental United States and can be requested for an overnight shipment on Friday to be delivered Saturday. The next day air charge, plus the Saturday delivery fee will be the responsibility of the purchaser. Exmark Mfg. will assume no responsibility for Saturday delivery shipments. To qualify, all Exmark Parts Plus® orders must be received by Exmark by 3:00 p.m., central time. Orders must be six (6) line items or less. Exclusions from the Exmark Parts Plus® Program are: Any wholegood or accessory in its entirety, engines and engine replacement parts, 5-speed Peerless transmissions and 5-speed transaxles, hydraulic or hydrostatic wheel motors, cutter decks and engine decks or any item exceeding United Parcel Service size and weight restrictions.

Due to UPS restrictions, aerosol spray paint is considered a hazardous material and cannot be shipped via UPS next day or Second Day Air.

Exmark Manufacturing stocks a limited supply of parts for transaxles, pumps and wheel motors. These parts can be ordered for Next Day Air shipment but will not be guaranteed per the Parts Plus Program.



**READ OPERATOR'S MANUAL BEFORE
OPERATING OR SERVICING EXMARK EQUIPMENT.**

TABLE OF CONTENTS

<u>Description</u>	<u>Page</u>
Decals.....	9
Engine Deck Group.....	6-8
48" Mower Deck	4-5
Hydraulics Group	12
36" Mower Deck	2-3
Upper Handles & Controls	10-11
Wiring Diagrams	13

36" MOWER DECK

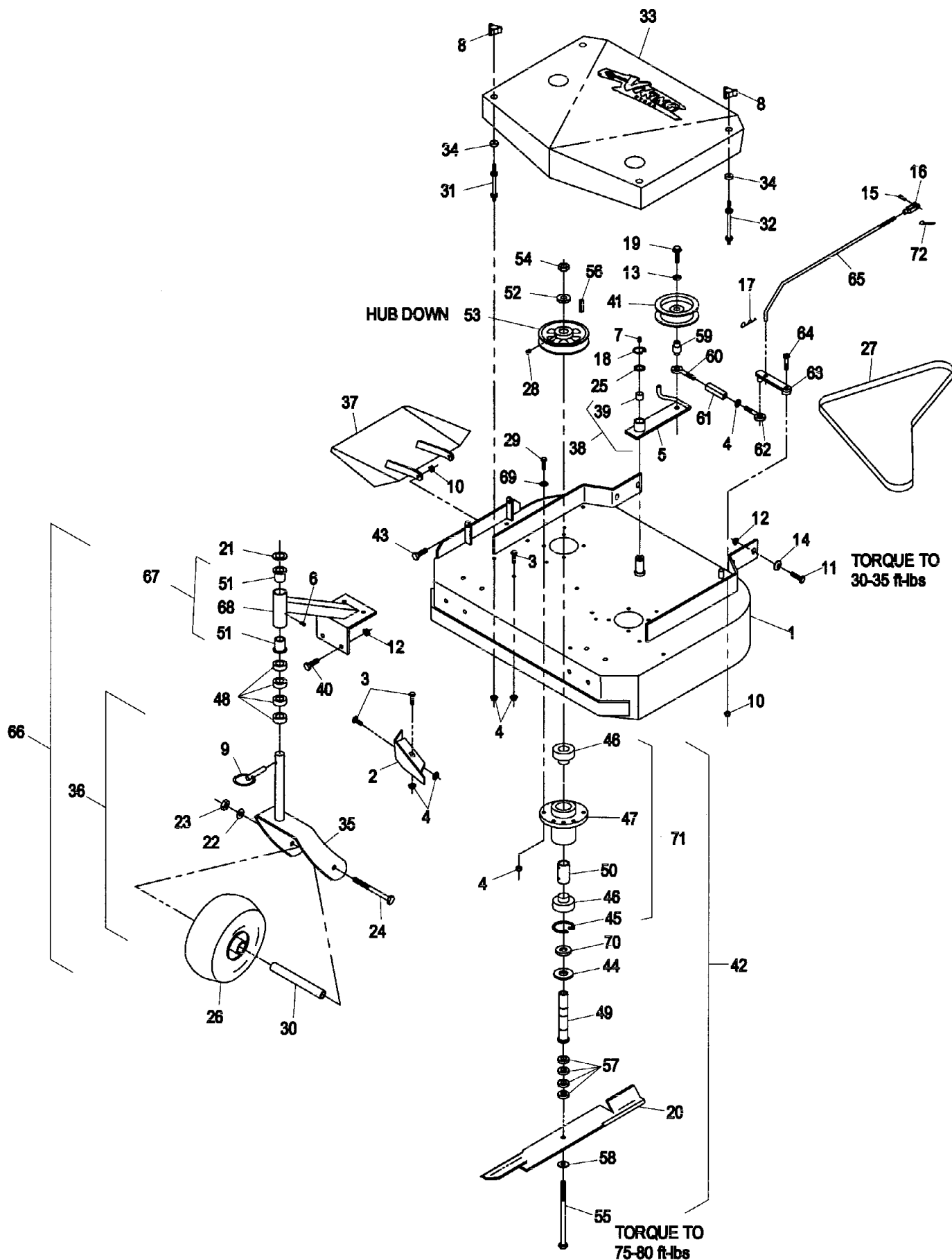
Ref. No.	Part No.	Description	Qty. Req'd.	Ref. No.	Part No.	Description	Qty. Req'd.
1	304253	Front Deck w/decals & dogleg.....	1	33	302218	Shield w/decals, 36" Vik hydro.....	1
	302232	Deck weldmt (36")	1		302213	Shield weldmt, 36" Vik hydro	1
2	302189	Baffle wldmnt, dogleg	1	34	323417	Washer, belt cover mount	4
3	800270	5/16-18 x 5/8 HHCS	8	35	322145	Fork wldmnt, caster	2
4	809001	5/16-18 Whizlock nut.....	20	36	322154	Caster wheel assembly.....	2
5	302128	Arm weldmt.....	1	37	302054	Chute	1
6	811001	Grease Zerk	2	38	302129	Engagement arm w/bushing.....	1
7	811006	Zerk, 1/4-28 STRT.....	1	39	303144	Powder metal bearing.....	1
8	323385	Knob, belt cover ..	4	40	800290	3/8-16 x 3/4 HH capscrew	8
9	809020	Quick pin, 10" caster	2	41	603843	Idler pulley (heavy duty).....	1
10	804256	5/16-18 Nylock hex nut.....	3	42▼	324265	Cutter housing complete	2
11	800293	3/8-16 x 1 1/4 HH capscrew	6	43	800273	5/16-18 x 1 HH Capscrew.....	2
12	809007	3/8-16 whizlock nut	8	44	633573	Guard, Bottom	2
13	805259	3/8 Flatwasher	1	45	808502	Retaining ring.....	2
14	303327	3/8 Disc spring washer	6	46	513016	Bearing	4
15	808280	5/16 x 1 Clevis pin	1	47	323532	Cutter housing	2
16	303105	Yoke	1	48	303314	Spacer, 10" Caster.....	8
17	806003	Hairpin cotter	1	49	323529	Tube, Spindle.....	2
18	808505	E-Ring for .875 rd.	1	50	323528	Spacer	2
19	803003	3/8-16 x 1 3/4 Whizlock bolt	1	51	303514	Flange, Thrust Bearing	4
20	633482	Blade, notched air foil	2	52	323339	Washer, retaining	2
	613251	Blade, solid air foil	2	53	303558	Pulley, cast iron.....	2
	633484	Blade, Mulching (36")	2	54	804510	5/8-18 UNF hex nut	2
	633485	Blade, Low Lift (36")	2	55	800861	5/8-18 x 8 HH Capscrew (Gr 5).....	2
21	513338	Washer, special.....	2	56	807267	Key, 1/4 x 3/16 x 1 1/4	2
22	805008	1/2 spring lockwasher.....	2	57	323539	Spacer, blade drive.....	8
23	804509	1/2-13 Hex nut.....	2	58	513208	5/8 Spring disc washer	2
24	800334	1/2-13 x 6 HH capscrew	2	59	303434	Engagement bushing	1
25	303352	Washer, spindle.....	1	60	303348	Eye bolt (left hand thread)	1
26	513648	Wheel & tire, complete	2	61	303236	Turnbuckle body	1
	513807	Wheel & hub.....	1	62	303238	Eye bolt (right hand thread)	1
	513808	Tire, 9 x 3.50-4 4-ply.....	1	63	302198	Assist arm	1
	513809	Roller bearing	1	64	809011	3/8 x 3/4 Shoulder bolt.....	1
	513810	Bushing.....	2	65	323174	Assist arm linkage	1
27	323200	Drive belt 36" Model	1	66	322153	Caster/mount, complete	1
28♦	803310	Setscrew, 5/16-18 x 3/8.....	2	67	302203	Caster wheel support w/bearings	2
29	800274	5/16-18 x 1 1/4 HH capscrew	8	68	302194	Caster wheel support wldmnt	2
30	513547	Spacer, front caster	2	69	303334	5/16 Spring Disc Washer.....	8
31	303537	Stud, belt shield (short).....	2	70	323533	Spacer	2
32	303536	Stud, belt shield (long).....	2	71	634619	Housing w/Brg, Spacer and Ring.....	2
				72	806753	Cotter pin, 3/32 x 1/2	1

♦ Use Pro-lock Nut Type (p/n 840022 .5 ml tube) on setscrews

• Requires installation of Micro-Mulch accessory for proper mulching. Mulch kit P/N MK362(36")
Exmark red touch up spray paint - P/N 850337

▼ Cutter housing complete includes sheave, washer and nut.

36" MOWER DECK

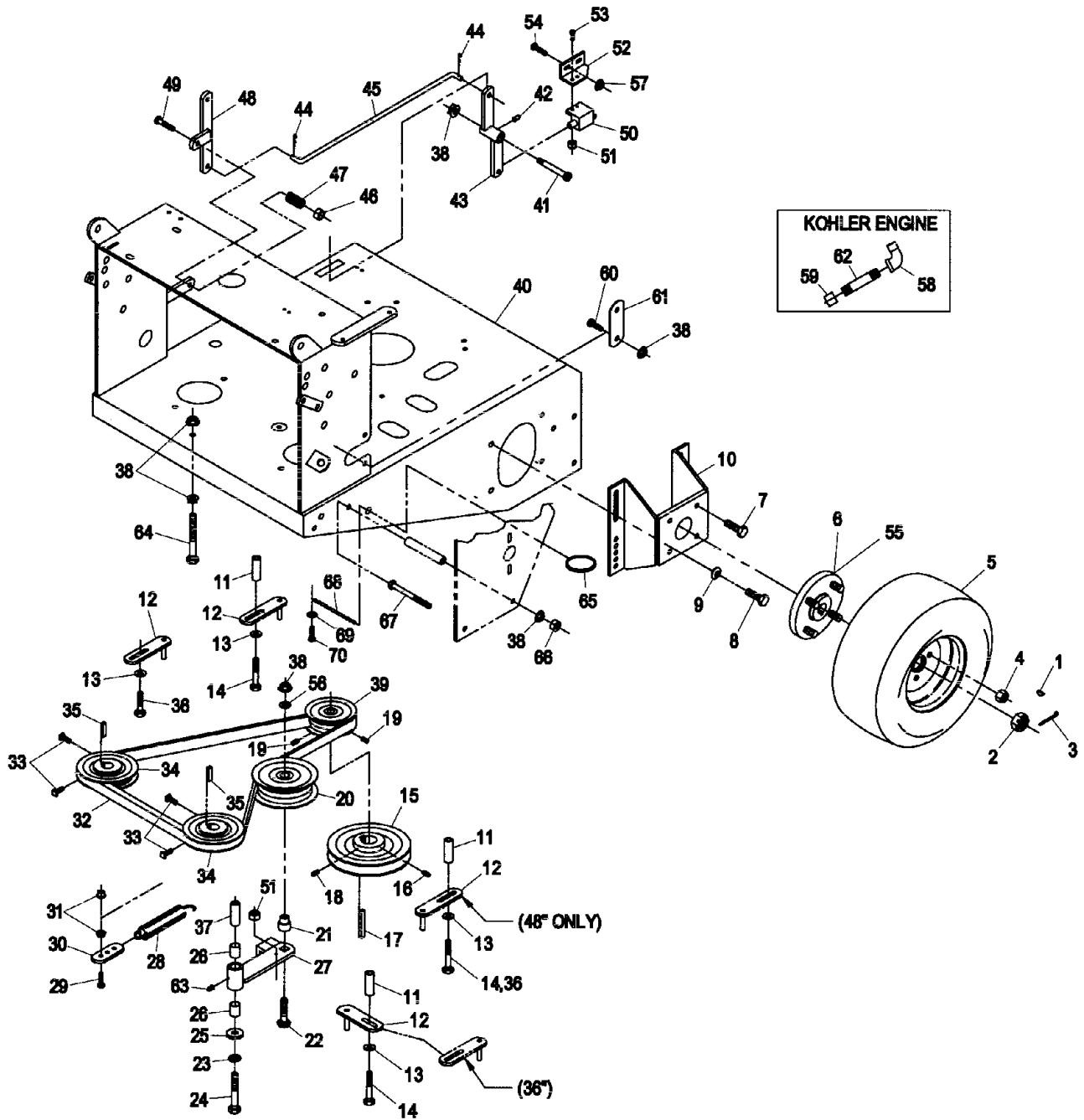


48" MOWER DECK

Ref. No.	Part No.	Description	Qty. Req'd.	Ref. No.	Part No.	Description	Qty. Req'd.
1*	404239	Front deck w/decals & dogleg (48") ...	1	45▼	324264	Cutter hsg complete(center)	1
*	402099	Deck Weldmt, (48")	1	46	302128	Arm weldmt	1
2	402107	Baffle, dogleg	1	47	800299	3/8-16 x 2 3/4 HH Capscrew	1
3	800270	5/16-18 x 5/8 HH capscrew	10	48	811006	Zerk 1/4-28 STRT	2
4	809001	5/16-18 Whizlock nut	15	49	805259	3/8 Flatwasher	3
5	804256	5/16-18 Nylock hex nut	4	50	800295	3/8-16 X 1 3/4 HH capscrew	1
6	800293	3/8-16 x 1 1/4 HH capscrew	24	51	323530	Cutter spindle , center	1
7	809007	3/8-16 whizlock nut	18	52	402106	Chute	1
8	303327	3/8 disc spring washer	7	53	403107	Belt tension rod	1
9	808280	5/16 x 1 Clevis pin	1	54	603496	Bushing, idler bearing	1
10	303105	Yoke	1	55	403133	Double pulley	1
11	403119	Idler pulley "V"	1	56	403025	V-Belt, front deck	1
12	808505	E-Ring for .875 rd.	2	57	800862	5/8-18 x 8 1/2 HH capscrew, Gr5	1
13	323515	Blade, notched air foil (48")	3	58	302129	Engagement arm w/bushing	1
	413438	Blade, solid air foil (48")	3	59	303499	Drive belt 48"	1
	403148	Blade, mulching (48")	3	60	323538	Spacer, bearing (center sheave)	1
	403149	Blade, Low Lift (48")	3	61	543879	Bushing	1
14	323174	Assist arm linkage	1	62	800273	5/16-18 x 1 HH Capscrew	2
15♦	803310	Setscrew, 5/16-18 x 3/8	3	63	323533	Spacer	3
16	800029	3/8-16 x 2 1/4 HH Tapbolt	1	64	634619	housing w/Brg, Spacer and Ring	3
17	402052	Arm weldmt, RH	1	65	322153	Caster mount complete	3
18	603843	Idler pulley	1	66	302203	Support, w/bearings	2
19▼	324265	Cutter Housing (outer)	2	67	302194	Support, caster wheel wldmnt ...	2
20	633573	Guard, Bottom	3	68	811001	Zerk, 1/8 N.P.T.	2
21	808502	Retaining ring	3	69	303514	Flange, thrust bearing	2
22	513016	Cutter housing bearing	6	70	303314	Spacer, 10" caster	8
23	323532	Cutter housing	3	71	322154	Wheel assembly (caster)	2
24	803003	3/8 -16 x 1 3/4 . Whizlock Bolt	1	72	322145	Fork wldmnt, caster	2
25	323529	Cutter spindle Tube	2	73	513547	Spacer, front caster	2
26	323528	Spacer	3	74	513648	Wheel & tire, complete	2
27	804257	Nut, Nyloc 3/8-16	18		513807	Wheel & hub	2
28	807267	Key, 1/4 x 3/16 x 1 1/4	3		513808	Tire, 9 x 3.50-4 4-ply	2
29	303558	Pulley, cast iron	2		513809	Roller bearing	2
30	513208	5/8 Spring disc washer	3		513810	Bushing	2
31	800861	5/8 -18 x 8 HH Capscrew	2	75	323417	Washer, Belt Cover Mount	5
32	323539	Spacer, Blade Drive	12	76	800290	Screw, 3/8-16 x 3/4	8
33	323339	Washer, retainer (sheave)	3	77	800334	Screw, 1/2-13 x 6	2
34	302198	Assist Arm	1	78	804509	Nut, 1/2-13 hex	2
35	804510	5/8-18 UNF hex nut	3	79	805008	Washer, 1/2 spring lock	2
36	303434	Engagement bushing	1	80	513338	Washer, special	2
37	303348	Eye bolt (left hand thread)	1	81	809020	Quick pin, 10" caster	2
38	303236	Turnbuckle body	1	82	303537	Stud, belt shield(short)	2
39	303238	Eye bolt (right hand thread)	1	83	303536	Stud, belt shield(long)	3
40	809011	3/8 x 3/4 Shoulder bolt	1	84	323385	Knob, belt cover	5
41	806003	Hairpin cotter	2	85	404237	Shield w/decals 48" Vik Hydro	1
42	303352	Washer, spindle	2		402100	Shield weldmt 48" Vik Hydro	1
43	402053	Idler arm, complete(w/bushing)	1	86	806753	Cotter pin, 3/32 x 1/2	1
44	303144	Powder metal bearing	2				

- ♦ Use Pro-lock Nut Type (p/n 840022 .5 ml tube) on setscrews
- Requires installation of Micro-Mulch accessory for proper mulching. Mulch kit P/N MK48M3
Exmark red touch up spray paint - P/N 850337
- * Deck weldmt does include welded in flow control baffles .
- ▼ Cutter housing complete includes sheave, washer and nut.

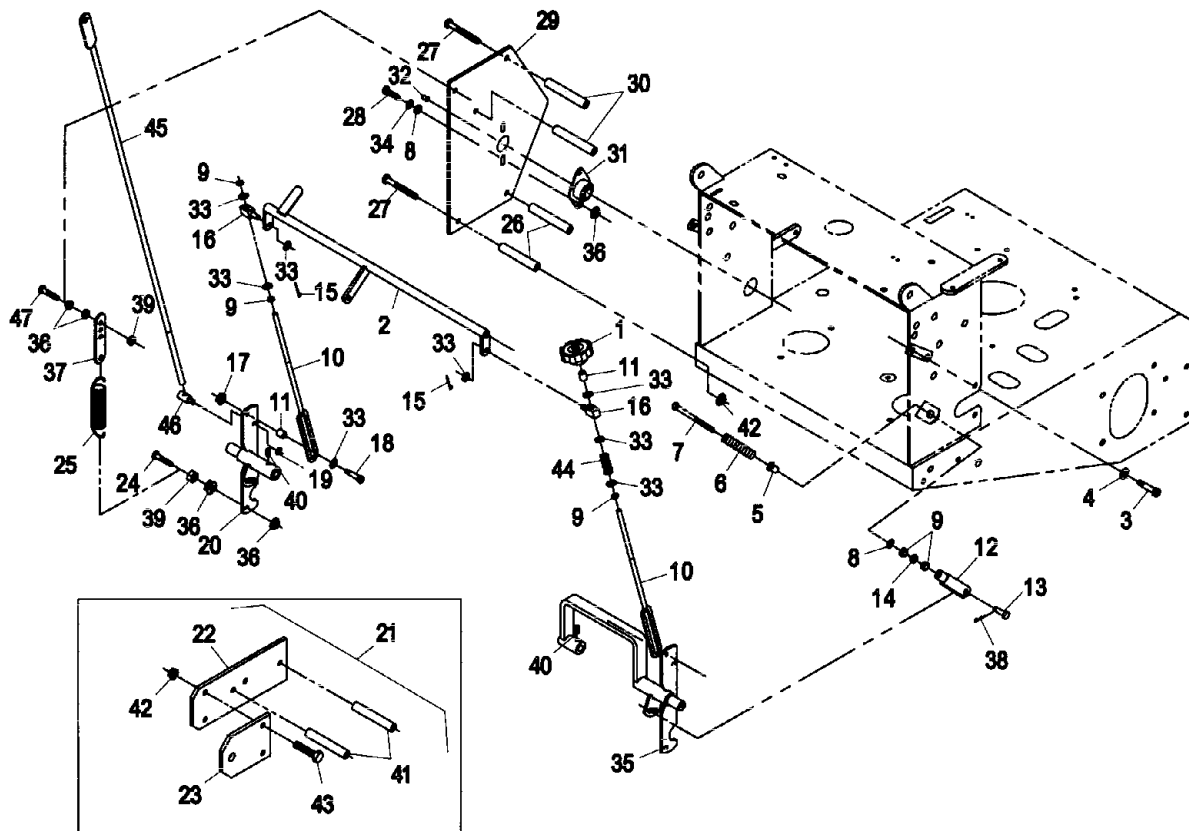
ENGINE DECK GROUP



ENGINE DECK GROUP

Ref. No.	Part No.	Description	Qty. Req'd.	Ref. No.	Part No.	Description	Qty. Req'd.
1	807019	Key, woodruff 1 x 1/4	2	33▽	803050	Setscrew, 5/16-18 x 3/4.....	4
2	803040	Nut, slotted 3/4-16.....	2	34	603778	Sheave - pump	2
3	806800	Pin, cotter 9/64 x 1-1/2.....	2	35	807272	Key, 5mm sq. x 25mm.....	2
4	513011	Nut, wheel 1/2-20.....	8	36	809072	Screw, 1.25 x 25mm	
5	603714	Tire & Wheel Assembly	2		(36" Kaw)(48" Koh)	1
	603427	Tire 16 x 6.50-8.....	1		(36"Kohler).....	2
	603715	Wheel.....	1	809018	Screw, 1.25 x 30mm		
6Σ	602997	Hub, tapered (4 bolt)w/studs...	2		(36"Kaw & 48"Kaw).....	1
7	803045	Screw, whizloc 3/8-16 x 3/4	8	37	603044	Bushing - Idler pivot.....	1
8	800292	Screw, 3/8-16 x 1	8	38	809007	3/8-16 Whizlock Nut	10
9	303327	Washer, 3/8 spring disc	8	39◇	403092	Pulley, pump drive	1
10	322162	Mount, motor (36")	2	40	322199	Deck, engine wldmt	1
	402062	Mount, motor (48")	2	41	809062	Bolt, .500 x 1.75 (shoulder)	1
11	323228	Spacer, belt guide(48")	3	42	811008	Zerk	1
	323228	Spacer, belt guide(36")	2	43	322108	Bellcrank assy. w/zerk	1
12	322110	Belt guide (36")	3		322086	Bellcrank weldmt	1
	322110	Belt guide (48")	4	44	806003	Hairpin	2
13	303334	Washer, 5/16 spring disc	4	45	323172	Linkage, blade engagement ...	1
14	809065	Screw, 1.25 x 75mm		46	804256	Nut, nylock 5/16-18.....	1
	(36" Kaw & Kohler).....	2	47	323245	Spring, compression.....	1
	809065	Screw, 1.25 x 75mm		48	322090	Bellcrank.....	1
	(48" Kaw & Kohler).....	3	49	800277	Screw, 5/16-18 x 2.....	1
15Σ	403087	Sheave, blade drive (48").....	1	50	513051	Switch, blade engagement	1
	303498	Sheave, blade drive (36").....	1	51	804252	Nut nylock 10-24.....	3
16▽	803046	Setscrew, 5/16-18 x 1	1	52	323213	Bracket, switch	1
17	807264	Key, 1/4 sq. x 2-5/8	1	53	803028	Screw, 10-24 x 5/8.....	2
18▽	803050	Setscrew, 5/16-18 x 3/4	1	54	800251	Screw, 1/4-20 x 5/8.....	2
19▽	803310	Setscrew, 5/16-18 x 3/8	2	55	613150	Stud, hub 1/2-20	8
20	603843	Idler, pulley.....	1	56	805259	Washer, 5/16(SAE)	1
21	603496	Bushing, idler	1	57	809012	Nut, whizlock 1/4-20	2
22	807517	Screw, 3/8-16 x 1-3/4.....	1	58◆	303431	Elbow St. 3/8 NPT brass (Koh)	1
23	805006	Lockwasher, 3/8.....	1	59◆	543233	Cap, 3/8 NPT (Koh)	1
24	800298	Screw, 3/8-16 x 2-1/2.....	1	60	800290	Screw, 3/8-16 x 3/4.....	2
25	373034	Washer, swivel.....	1	61	633068	Arm	1
26	513034	Bearing, pivot	2	62◆	323326	Nipple, 3 3/8 NPT (Kohler)	1
27	602521	Arm, assy idler (w/bearings) ...	1	63	811006	Zerk, 1/4-28 STRT.....	1
	602458	Arm, assy idler (w/o bearings)	1	64	800297	Screw, 3/8-16 x 4.....	1
28	603402	Spring, extension	1	65	323366	Split ring.....	1
29	800273	Screw, 5/16-18 x 1	1	66	804257	Nut, 3/8-16 nylock.....	1
30	603801	Anchor, spring.....	1	67	800303	Screw, 3/8-16 x 4 1/2.....	1
31	809001	Nut, whizlock 5/16-18.....	2	68	323365	Chain, twist link.....	1
32	323225	Belt, pump drive.....	1	69	805252	Washer, #10.....	1
				70	809069	Screw, 10-24 x 7/8HxSktHd ...	1

- Σ Use anti-seize compound on pulley bore and on tapered bore of hub.
- ▽ Use Pro-Lock (nut type, Part no. 840022, 5 ml tube) on setscrew threads.
- ◆ Use a Teflon pipe sealant of equivalent on threads.
Exmark red touch up spray paint - P/N 850337
- ◇ Use Pro-Lock (retaining type, Part no. 840023, .5cc tube) on pulley.

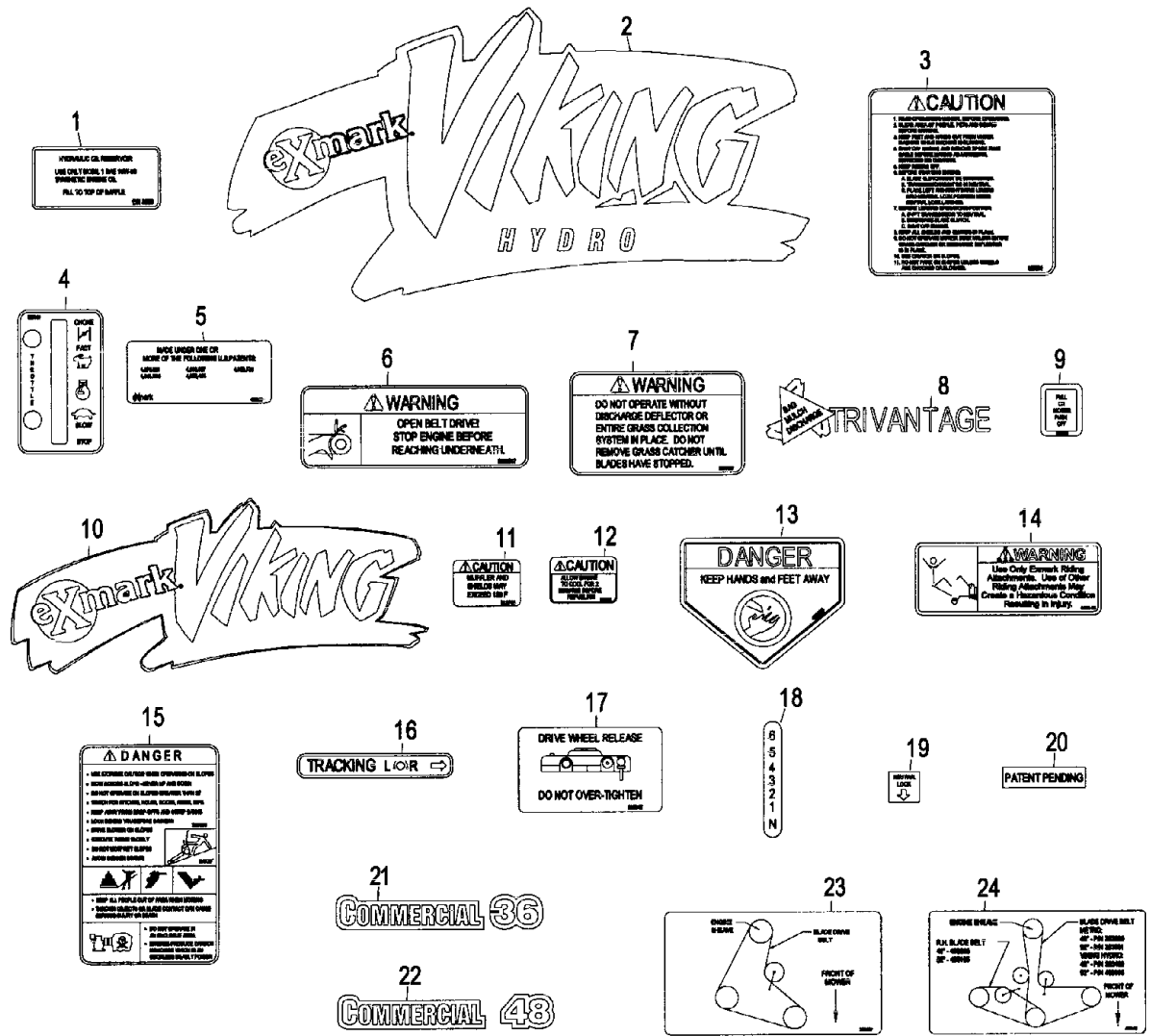


Ref. No.	Part No.	Description	Qty. Req'd.	Ref. No.	Part No.	Description	Qty. Req'd.
1	413151	Knob, tracking.....	1	24	800274	Screw, 5/16-18 x 1-1/4	2
2	412203	Crank weldmt.....	1	25	603693	Spring, extension.....	2
3*	809056	Bolt, .375 x .375 (shoulder)....	2	26	323197	Spacer, short	4
4	805259	Washer, 3/8 (sae).....	2	27	800302	Screw, 3/8-16 x 4.....	7
5	603735	Bushing, nylon flanged	2	28	800271	5/16-18 x 3/4.....	4
6	603807	Spring, neutral return	2	29	413201	Shield, hydro control.....	2
7	603737	Bolt, neutral return	2	30	323195	Spacer, long	4
8	805256	Washer, 1/4(std).....	6	31	633102	Bearing, flange	2
9	804521	Nut, 5/16-24.....	7	32	811006	Zerk, 1/4-28	2
10	412276	Rod, control arm	2	33	805257	Washer, 5/16 (SAE)	9
11	603903	Spacer	3	34	805005	Lockwasher, 5/16 (heavy)	4
12	303105	Yoke, adjustable	2	35	412270	Arm weldmt, RH.....	1
13	808280	Pin, clevis 5/16-1	2	36	809001	Nut, whizlock 5/16	12
14	804758	Nut, jam 5/16-24.....	2	37	613089	Anchor, spring	2
15	806753	Pin, cotter 3/32 x 1/2.....	2	38	806003	Hairpin	2
16	603676	Swivel	2	39	804256	Nut, nylock 5/16-18.....	4
17	809012	Nut, 1/4-20 whizlock	2	40*	803022	Setscrew, 5/16-18 x 5/8.....	2
18*	809057	Bolt, .312 x .750 (shoulder)....	2	41	323240	Spacer, shield.....	4
19	808520	Klipring.....	2	42	809007	Nut, whizlock 3/8-16	12
20	412272	Arm weldmt, left hand.....	1	43	800292	Screw, 3/8-16 x 1.....	4
21	301022	Sulky hitch kit, (Vik Hydro).....	1	44	323245	Spring	2
22	373036	Mount, hitch	1	45	413219	Linkage, drive	2
23	323238	Bracket, hitch adapter.....	2	46	413227	Swivel, drive lever.....	2
				47	800016	Tapbolt, 5/16-18 x 1 1/4.....	2

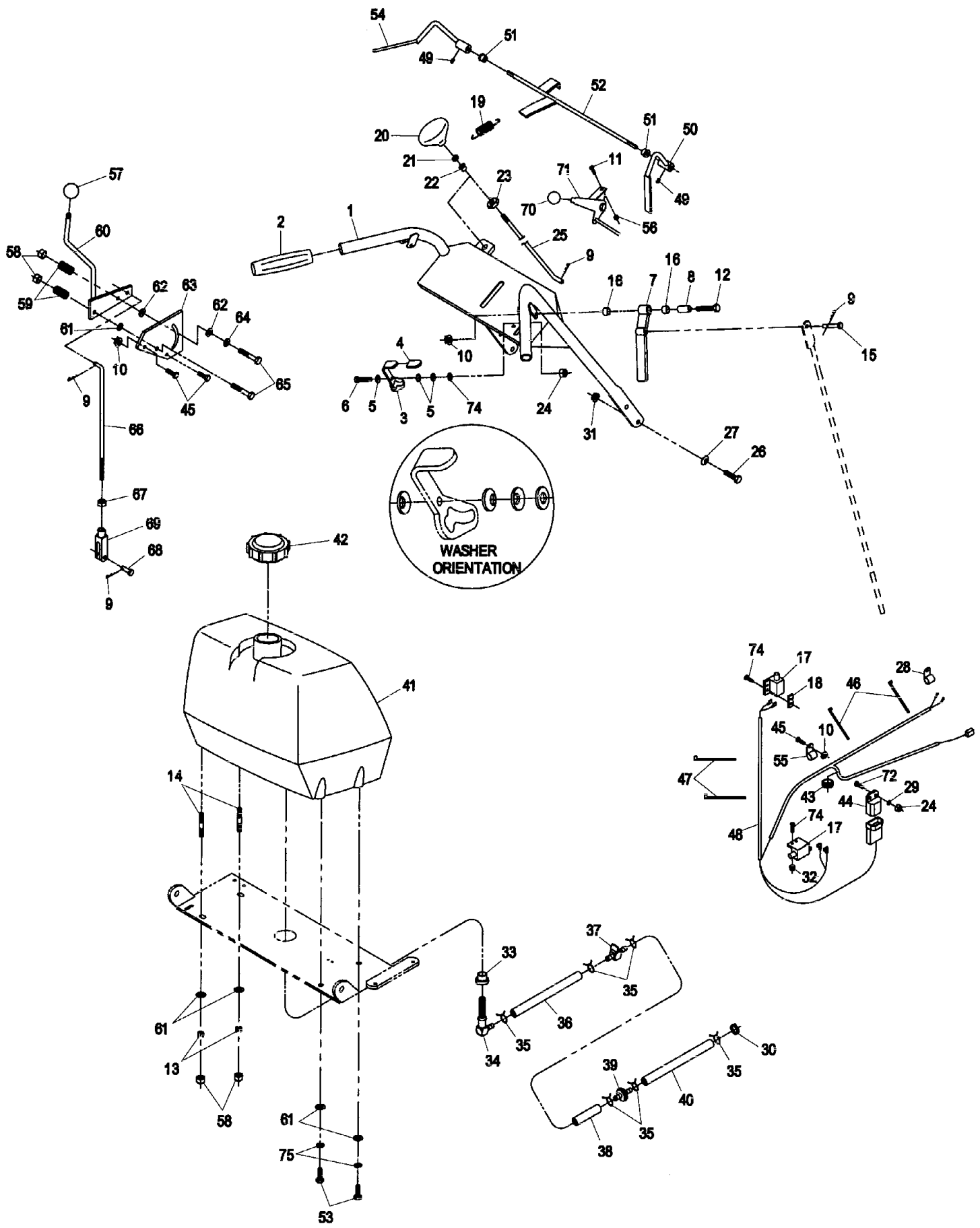
* Use Pro-Lock nut type, Part No. 840022 (.5 ml tube) on bolt & setscrew threads.

Exmark red touch up spray paint - PN 850337

DECALS



Ref. No.	Part No.	Description	Qty. Req'd.	Ref. No.	Part No.	Description	Qty. Req'd.
1	513890	Decal, Hydraulic Tank.....	1	13	403005	Decal, Danger (36").....	1
2	323319	Decal, Large Vik Hydro.....	1	14	403005	Decal, Danger (48").....	2
3	323232	Decal, Instructional.....	1	14	403143	Decal, Sulky Warning.....	1
4	323151	Decal, Throttle/Choke (Kawasaki & Kohler).....	1	15	323525	Decal, Danger.....	1
5	403080	Decal, Patent No.....	1	16	413214	Decal, Tracking.....	1
6	303517	Decal, Belt Drive.....	1	17	603845	Decal, Drive Wheel Release ..	1
7	303508	Decal, Discharge Warning.....	1	18	613169	Decal, Shifter.....	1
8	303520	Decal, TriVantage.....	1	19	303102	Decal, Neutral Lock Label.....	2
9	323141	Decal, Mower Engagement....	1	20	373066	Decal, Patent Pending.....	1
10	323321	Decal, Small Viking.....	1	21	323411	Decal, Commercial "36".....	1
11	513746	Decal, Muffer.....	1	22	403131	Decal, Commercial "48".....	1
12	303293	Decal, Caution.....	1	23	323427	Decal, Belt routing (36" Deck)	1
				24	403162	Decal, Belt routing (48").....	1



UPPER HANDLES and CONTROLS

Ref. No.	Part No.	Description	Qty. Req'd.	Ref. No.	Part No.	Description	Qty. Req'd.
1	322197	Handle weldment.....	1	39	303197	Filter, gas	1
2	303097	Grip, handle	2	40	603954	Gas line, 13.75" (Kohler)	1
3	612168	Latch, thumb w/grip (RH).....	1		303471	Gas line, 12.0" (Kaw)	1
f	612167	Latch, thumb w/grip (LH)	1	41	413179	Tank, gas	1
4	303019	Grip, latch	2	42	513508	Cap, gas	1
5	303435	Washer, 1/4 spring disc.....	6	43	543296	Grommet	1
6	800257	Screw, 1/4-20 x 1-3/4	2	44	323430	Module, Interlock.....	1
f	412159	Lever, drive (LH).....	1	45	800251	Screw, 1/4-20 x 5/8	3
7	412161	Lever, drive (RH)	1	46	303287	Tie, plastic 5 1/2" (Kaw)	5
8	603749	Bushing, drive lever	2	47	303335	Tie, plastic 7 5/16".....	2
9	806003	Hairpin	5	48	323518	Harness wiring (Kawasaki).....	1
10	809012	Nut, whizlock 1/4-20	5		323519	Harness wiring (Kohler).....	1
11	807513	Screw, #10-24 x 1/2 carriage....	2	49♦	803322	Setscrew, 5/16-24 x 5/16	2
12	800256	Screw, 1/4-20 x 1-1/2	2	50▽	412185	Lever, OPC (RH).....	1
13	633349	Spring, fuel tank.....	2	51	303365	Bushing, nylon.....	2
14▽	633023	Stud, fuel tank.....	2	52	322192	Rod weldmt, connecting.....	1
15	613055	Pin, clevis	2	53	800271	Screw, 5/16-18 x 3/4	2
16	413152	Bearing	4	54▽	412183	Lever, OPC (LH)	1
17	513051	Switch	2	55	603727	Clip, .56 Loom	1
18	633181	Plate, tapped	1	56	804252	Nut, nylock #10-24	2
19	303363	Spring, actuator	1	57♦	603175	Knob, 1-3/8.....	1
20	323134	Knob, (push/pull)	1	58	804256	Nut, nylock 5/16-18	4
21	804751	Nut, jam 5/16-18.....	1	59	323245	Spring, compression	2
22	323143	Bushing, nylon .38 I.D.....	1	60	602733	Lever, shift.....	1
23	323142	Push Nut (.50 shaft).....	1	61	805257	Washer, 5/16 SAE	5
24	804255	Nut, nylock 1/4-20 (Kaw & Koh)	3	62	323244	Washer, friction	2
25	323181	Linkage, blade push/pull.....	1	63	603730	Plate, shift lever.....	1
26	800292	Screw, 3/8-16 x 1	4	64	603716	Washer, friction	1
27	303327	Washer, 3/8 spring disc.....	4	65	800277	Screw, 5/16-18 x 2	2
28	323229	Clip, loom 3/8" (Kaw)	1	66	323522	Rod, speed control	1
29	805256	Washer 1/4" std flat	1	67	804758	Nut, jam 5/16-24.....	1
30	303308	Clamp, gas line (Kawasaki)....	1	68	808280	Pin, clevis	1
31	809007	Nut, whizlock 3/8-16	4	69	303105	Yoke, adjustable.....	1
32	804002	Nut, Sq Reg 10-24	2	70	513592	Knob, red ball	1
33	513645	Bushing, fuel valve	1	71	323129	Cable, throttle (Kaw & Kohler). 1	
34	543277	Elbow, fuel tank	1	72	800252	Screw, 1/4-20 x 3/4	1
35	303077	Clamp, gas line (Kohler)	6	73	801040	Screw, #10-24 x .75	2
	303077	Clamp, gas line (Kawasaki)....	5	74	803028	Screw, #10-24 x 5/8	4
36	603955	Fuel line, 6" (Kaw & Kohler)....	1	75	805005	Washer, 5/16 lock	2
37	603770	Valve, gas.....	1				
38	603776	Fuel line, 2.5" (Kaw & Kohler). 1					

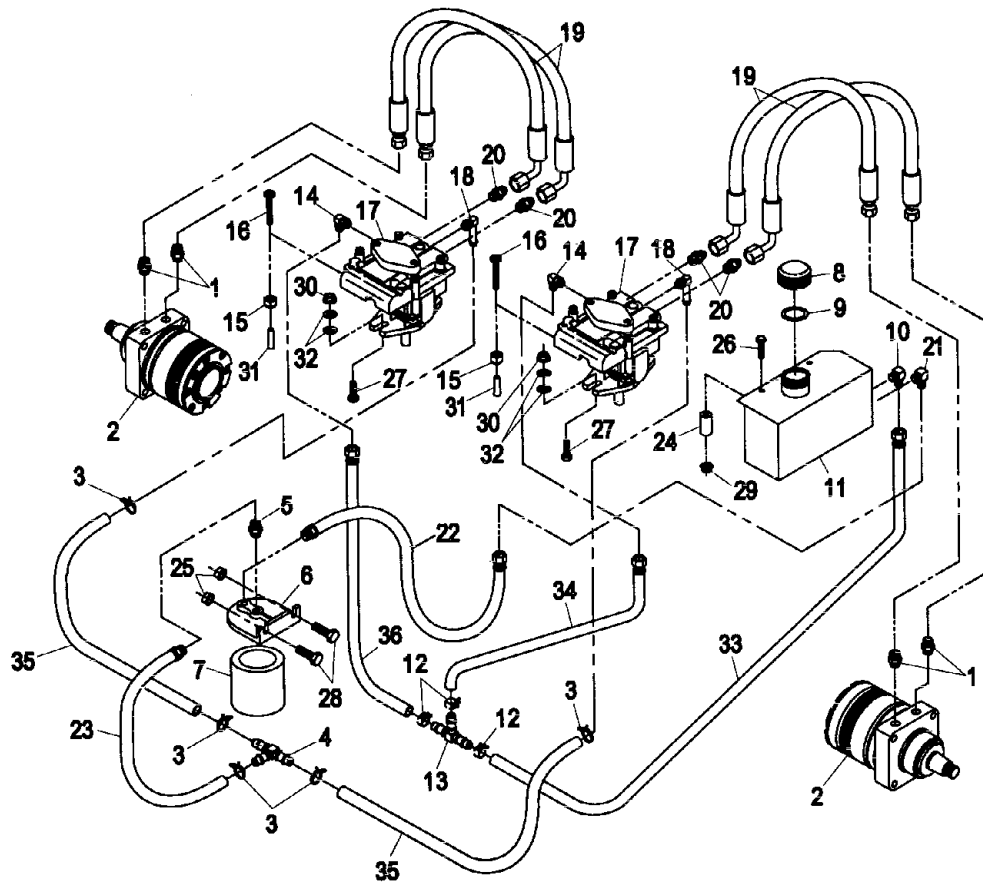
f Not illustrated.

♦ Use Pro-Lock ,nut type (Part no. 840022 on setscrew threads and on shifter knob threads.

▽ Use Pro-lock, retaining type (Part no. 840023 .5cc tube) on inside bore of OPC hub and on fuel tank studs.

Apply dielectric grease on all electrical connectors.

Exmark black touch up spray paint - Gloss black



Ref. No.	Part No.	Description	Qty. Req'd.	Ref. No.	Part No.	Description	Qty. Req'd.
1	603991	Fitting, strght connector	4	17	613042	Pump, hydro	2
	603919	Boss O-Ring	1	18	603989	Elbow, 90°	2
	603992	Flare O-Ring	1		603923	O-Ring	1
2	603718	Wheel motor	2	19	403102	Hose, high pressure	4
	000138	Kit, Bearing	1	20	603990	Adapter, straight thread.....	4
	000119	Kit, seal	1		603920	Boss O-Ring	1
3	603827	Clamp, hose (5/8)	5		603992	Flare O-Ring	1
4	603721	Fitting, Hose Tee (3/8 I.D hose)	1	21	603988	Elbow, 90°	1
5	513510	Connector, male	1	22	602985	Hose, supply	1
6*	603720	Head, filter	1	23	602754	Hose, charge line	1
7	513211	Element, oil filter	1	24	323218	Spacer, hydraulic tank.....	2
∇	523541	Element, oil filter(winter)	1	25	809001	Nut, whizlock 5/16-18.....	2
8	513167	Cap, hydraulic reservoir.....	1	26	800258	Screw, 1/4-20 x 2	2
9	523103	Gasket, tank cap	1	27	800293	Screw, 3/8-16 x 1-1/4	4
10	603987	Elbow, 90°	1	28	800273	Screw, 5/16-18 x 1	2
11*	512166	Reservoir, hydraulic fluid	1	29	809012	Nut, whizlock 1/4-20	2
12	603826	Hose Clamp 1/2	3	30	809007	Nut, whizlock 3/8-16	4
13	603722	Fitting - Hose Tee(1/4 I.D hose)	1	31	613073	Grip, dump valve	2
14	513840	Elbow - 90°	2	32	805258	Washer, 5/16 std	8
	603921	O-Ring	1	33	602750	Hose, case drain	1
15	804255	Nut, nylock 1/4-20.....	2	34	632286	Hose assy, lo pressure.....	1
16	801063	Screw, 1/4-20 x 2 pan head....	2	35	413273	Hose, lo pressure	2
				36	632285	Hose assy, lo pressure.....	1

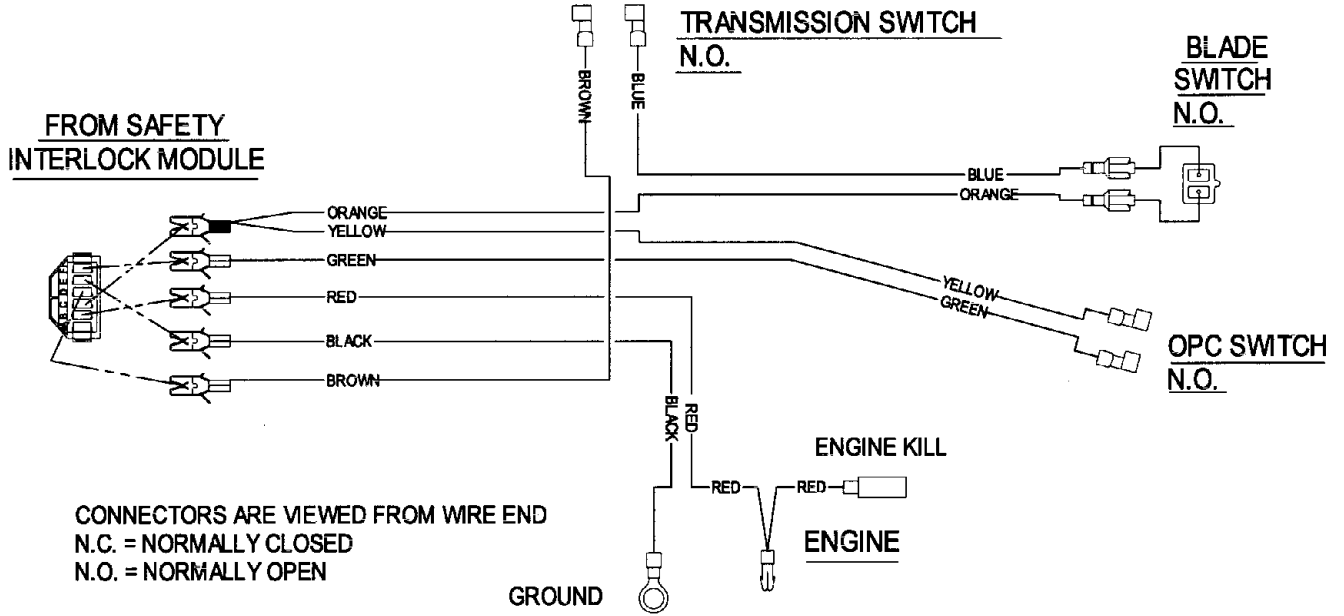
* Use Teflon Pipe Sealant or equivalent on hydraulic reservoir and filter head fittings.

∇ Use only for operation below 32°F(0°C)

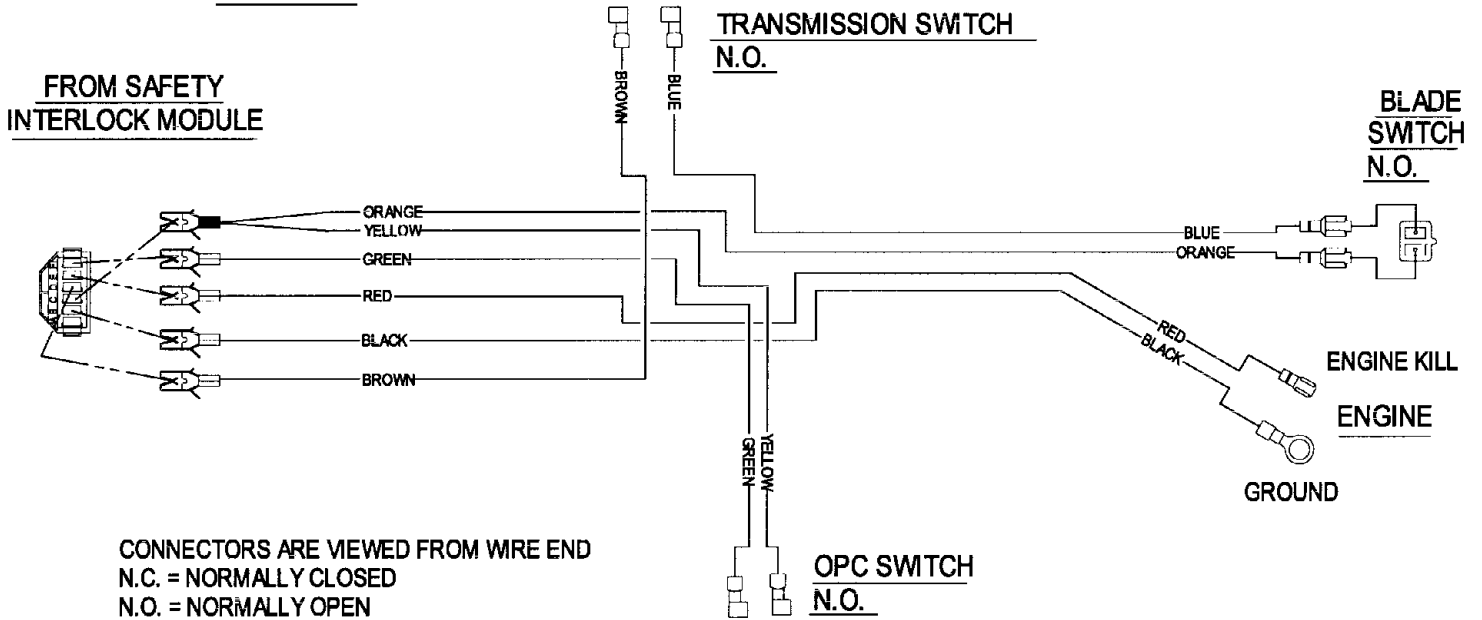
Emark black touch up spray paint - gloss black

WIRING DIAGRAMS

KAWASAKI



KOHLER



**SEE EXMARK'S COMPLETE
LINE OF PRODUCTS FOR TURF CARE**

LAZER Z

LAZER Z HP

EXPLORER

TURF RANGER

TURF TRACER

TURF TRACER HP

VIKING HYDRO

METRO

METRO HP

SELF STEERING SULKY

GRASS CATCHER

MICRO-MULCHING ACCESSORY

**EXMARK MFG. CO. INC.
INDUSTRIAL PARK BOX 808
BEATRICE, NE. 68310**

**PART NO. 850565
(402) 223-6300
FAX (402) 223-6384**

ALL RIGHTS RESERVED

PRINTED IN U.S.A.

