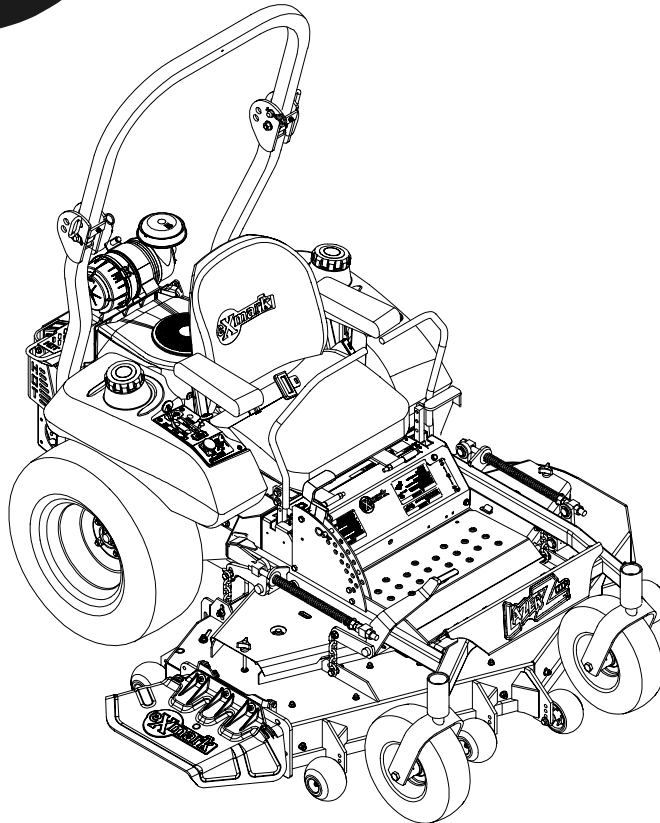


For Serial Nos.  
670,000 & Higher



PARTS MANUAL

# LAZER Z<sup>®</sup> HP

**CONGRATULATIONS** on the purchase of your new Exmark mower. This product has been carefully designed and manufactured to give you a maximum amount of dependability and years of trouble-free operation. If additional information is needed, or should you require trained mechanic service, contact your authorized Exmark equipment dealer or distributor. If you need to order replacement parts from your dealer, always give the model number and serial number of your mower as well as the part number, description and quantity of the part needed.

The Serial No. plate is located on the right side of the console. For ease of ordering and reference, we suggest that you record the information requested in the following identification table.

Place Model No. and Serial No. Label Here  
(Included in Literature Pack)  
or Fill in Below

Model No. \_\_\_\_\_

Serial No. \_\_\_\_\_

Engine Model No. and Spec. No. (Code) \_\_\_\_\_

Engine Serial No. (E/No) \_\_\_\_\_

Date Purchased \_\_\_\_\_

## EXMARK PARTS PLUS® PROGRAM

**EFFECTIVE DATE: September 1, 1995**

### Program

If your Exmark dealer does not have the Exmark part in stock, Exmark will get the parts to the dealer the next business day or the part will be FREE\* Guaranteed!!

### **How the Program Works**

1. If dealer does not have part in stock for a "down" unit at the time of request by customer, the dealer contacts his distributor by 1:00 p.m., local time, and requests Exmark Parts Plus® shipment of six (6) line items or less.
2. Distributor ships part(s) to dealer or customer, as requested by dealer, same day, overnight UPS. Distributor bills dealer for part and freight charges where applicable.
3. If distributor does not have the part(s) in stock to satisfy Exmark Parts Plus® order, he contacts Exmark by 3:00 p.m., central time, with an Exmark Parts Plus® order of six (6) line items or less.
4. If order is received by 3:00 p.m. central time, Exmark ships part(s) direct to dealer or customer, as requested by distributor, same day, overnight UPS. Exmark bills the distributor for parts and shipping charges, where applicable.
5. The customer pays for the part and freight if it is shipped under the Exmark Parts Plus® and if it arrives in accordance to the program.
6. Who pays for the part and freight if it fails to arrive overnight in accordance to the program?
  - A. Under any circumstance the customer does not pay.
  - B. If the part does not arrive overnight due to:
    1. The dealer not submitting the Exmark Parts Plus® order to his Exmark distributor by 1:00 p.m., the dealer pays for the part and freight.
    2. The Distributor being unable to ship the part the same day or not submitting the Exmark Parts Plus® order to Exmark by 3:00 p.m., central time, the Distributor pays for the part and freight.
    3. Exmark being unable to ship the part and the Exmark parts order is received by 3:00 p.m., central time, Exmark pays for the part and freight.
    4. If the part does not arrive overnight due to the shipper (UPS), the shipper pays for the freight and Exmark pays for the part.



**The following restrictions apply** -- The Exmark Parts Plus® Program is available only through participating Exmark Dealers and applies only to orders submitted on this program Monday through Thursday. Parts Plus service is available only in the contiguous 48 United States. UPS has initiated a Saturday delivery program to many areas of the continental United States and can be requested for an overnight shipment on Friday to be delivered Saturday. The next day air charge, plus the Saturday delivery fee will be the responsibility of the purchaser. Exmark Mfg. will assume no responsibility for Saturday delivery shipments. To qualify, all Exmark Parts Plus® orders must be received by Exmark by 3:00 p.m., central time. Orders must be six (6) line items or less. Exclusions from the Exmark Parts Plus® Program are: Any wholegood or accessory in its entirety, engines and engine replacement parts, 5-speed Peerless transmissions and 5-speed transaxles, hydraulic or hydrostatic wheel motors, cutter decks and engine decks or any item exceeding United Parcel Service size and weight restrictions.

Due to UPS restrictions, aerosol spray paint is considered a hazardous material and cannot be shipped via UPS next day or Second Day Air.

Exmark Manufacturing stocks a limited supply of parts for transaxles, pumps and wheel motors. These parts can be ordered for Next Day Air shipment but will not be guaranteed per the Parts Plus Program.



**READ OPERATOR'S MANUAL BEFORE  
OPERATING OR SERVICING EXMARK EQUIPMENT.**

**TABLE OF CONTENTS**

<b><u>Description</u></b>	<b><u>Page</u></b>
Decal Group .....	21-22
Deck Group .....	3-5
Electrical Diagram(s) .....	23-24
Electrical Group .....	19-20
Electrical Logic Schematic(s).....	25-26
Engine Group .....	17-18
Front Frame Group .....	7-8
Fuel Group.....	11
Hydraulic Group .....	15-16
Main Frame Group.....	9-10
Motion Control Group .....	12
Park Brake Group .....	13-14
Spindle Assembly .....	6

DECK GROUP

Item	Part No.	Description	Qty.
1	1-303537	Stud, Belt Shield .....	2
2	1-323385	Knob .....	2
3	1-323417	Washer, Belt Shield .....	2
4	1-413099	Idler, Flat Pulley .....	1
5	1-603401	Spacer, Fender .....	1
6	1-613098	Idler, Flat.....	1
7	1-613098	Sheave, Idler 46" & 50".....	1
	1-633109	Sheave, Idler 56".....	1
8	1-633456	Bushing, Idler.....	2
9	1-653190	Spacer .....	1
10	98-5975	Washer, Spring Disk 3/8 .....	5
11	103-2916	Guard, Top.....	1
12	103-3330	Spring .....	1
13	103-3504	Bearing, Spherical.....	2
14	103-3505	Seal, Double Lip.....	1
15	103-3506	Seal, Single Lip.....	1
16	103-5668	Plate, Guide Belt.....	1
17*	109-2168	Kit, Idler Arm W/Bearings .....	1
18	103-8103-01	Latch, Belt Shield.....	2
19	109-2154	Asm, Deck W/Decals 46" .....	1
	109-2155	Asm, Deck W/Decals 50" .....	1
	109-2156	Asm, Deck W/Decals 56" .....	1
20	105-7699	Strip-Seal, 3".....	4
21	106-7159	O-Ring .....	2
22	109-2523	Belt 46".....	1
	109-0206	Belt 50".....	1
	109-0096	Belt 56".....	1

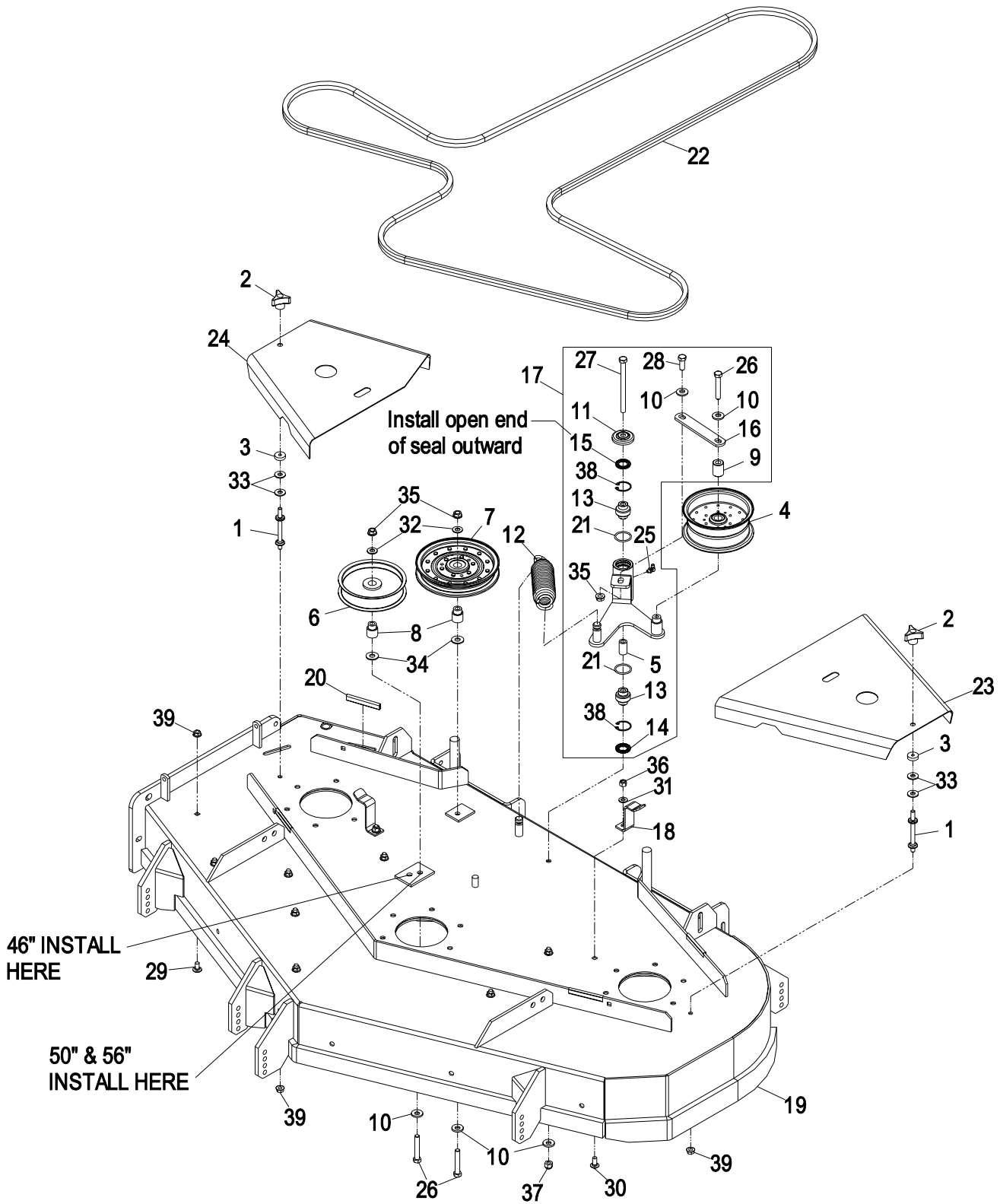
Item	Part No.	Description	Qty.
23	109-2157	Asm, Shield W/Decals 46" LH .....	1
	109-2158	Asm, Shield W/Decals 50" LH .....	1
	109-2159	Asm, Shield W/Decals 56" LH .....	1
24	109-2160	Asm, Shield W/Decals 46" RH.....	1
	109-2161	Asm, Shield W/Decals 50" RH.....	1
	109-2162	Asm, Shield W/Decals 56" RH.....	1
25	302-40	Zerk, 90° 1/4-28.....	1
26	323-11	Screw, HH 3/8-16 x 2 1/4.....	3
27	323-39	Screw, HH 3/8-16 x 5.....	1
28	323-6	Screw, HH 3/8-16 x 1.....	1
29	3230-18	Bolt, Carriage 5/16-18 x 5/8 .....	9
30	3230-22	Bolt, Carriage 5/16-18 x 1 .....	2
31	3256-23	Washer, 5/16 SAE .....	2
32	3256-24	Washer, 3/8 SAE .....	2
33	3256-3	Washer, 5/16 Std.....	4
34	3256-4	Washer, 3/8 Std.....	2
35	3290-357	Nut, Whizlock 3/8-16 .....	3
36	3296-29	Nut, Nyloc 5/16-18 .....	2
37	3296-39	Nut, Nyloc 3/8-16 .....	1
38	32120-10	Ring, Retaining .....	2
39	32128-20	Nut, Whizlock 5/16-18 .....	11
40▲	109-2169	Asm, Deck Complete 46".....	1
	109-2170	Asm, Deck Complete 50".....	1
	109-2171	Asm, Deck Complete 56".....	1

Exmark red touch up paint (spray paint - P/N 1-850337 - .6 oz liquid bottle - P/N 103-9140).

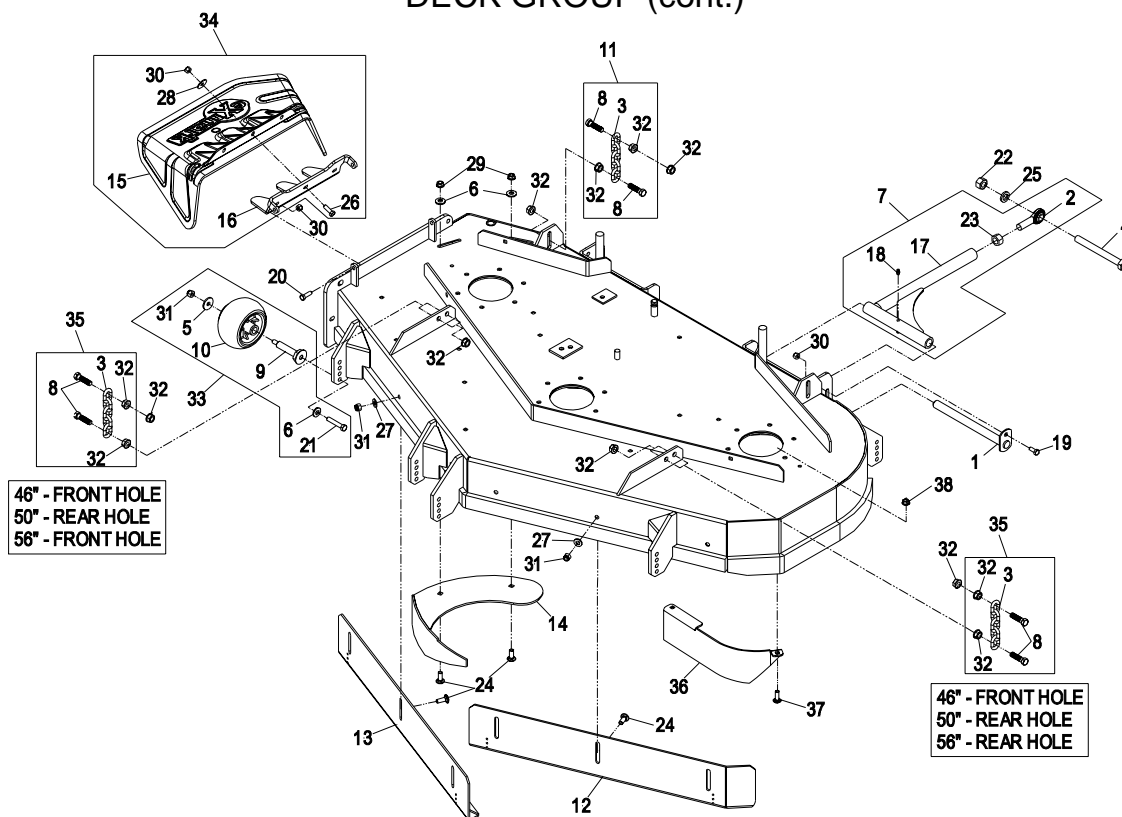
▲ Complete deck assembly includes all items from pages 3 – 6.

\* Kit also includes items #10 & #37.

### DECK GROUP



DECK GROUP (cont.)

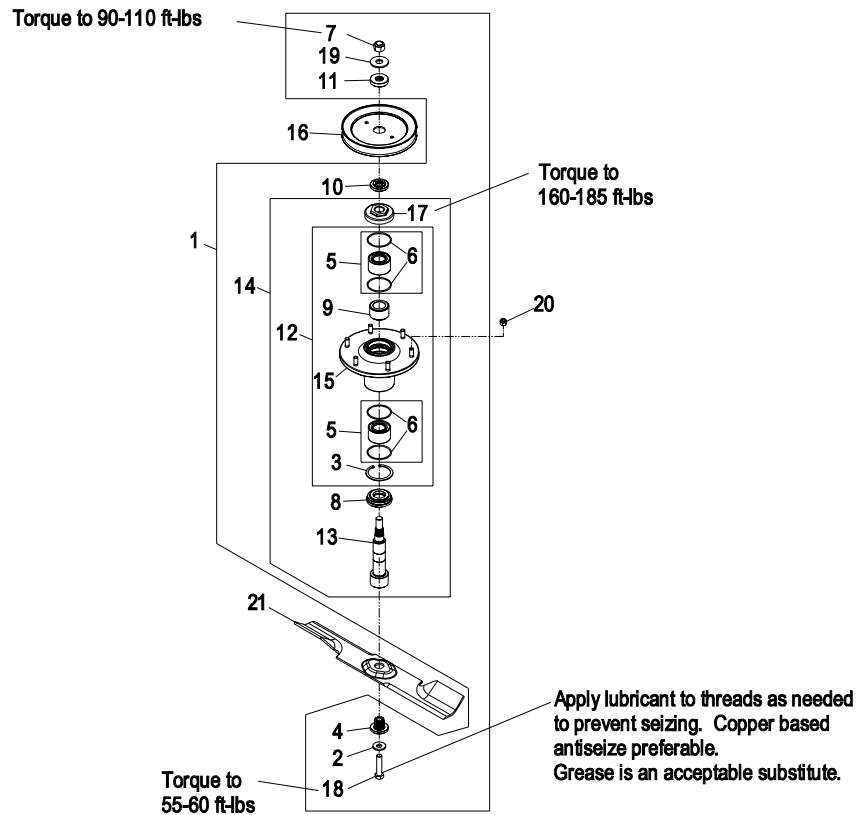


Item	Part No.	Description	Qty.
1	1-632199-01	Wld, Pin Deck Strut.....	10
2	1-633029	Balljoint.....	6
3	1-633447	Chain, Deck Lift.....	2
4	1-800344	Screw, HH 5/8-11 x 6.....	7
5	63-8410	Washer 46" & 50".....	3
	63-8410	Washer 56".....	6
6	98-5975	Washer, Spring Disk 3/8 46" & 50".....	5
	98-5975	Washer, Spring Disk 3/8 56".....	8
7	103-1081	Asm, Strut.....	2
8	103-1898	Screw, HH 7/16-20 x 1-5/8 Sp.....	8
9	103-5364	Axle, Anti-Scalp Roller 46" & 50".....	3
	103-5364	Axle, Anti-Scalp Roller 56".....	6
10	103-8415	Roller, Anti-Scalp 46" & 50".....	3
	103-8415	Roller, Anti-Scalp 56".....	6
11	103-9792	Asm, Chain Deck.....	2
12	109-0540-01	Wld, Baffle Front Adj LH 46".....	1
	109-0501-01	Wld, Baffle Front Adj LH 50".....	1
	109-0695-01	Wld, Baffle Front Adj LH 56".....	1
13	109-0541-01	Wld, Baffle Front Adj RH 46".....	1
	109-0502-01	Wld, Baffle Front Adj RH 50".....	1
	109-0698-01	Wld, Baffle Front Adj RH 56".....	1
14	109-0503-01	Wld, Dogleg 46".....	1
	109-0444-01	Wld, Dogleg 50".....	1
	109-0707-01	Wld, Dogleg 56".....	1
15	109-2738	Chute, Discharge LHP.....	1
16	109-0938-01	Hinge, Grass Discharge.....	1
17	103-1072-01	Wld, Deck Strut-Std.....	2

Item	Part No.	Description	Qty.
18	302-19	Fitting, Grease.....	4
19	322-3	Screw, HH 5/16-18 X 3/4.....	2
20	322-5	Screw, HH 5/16-18 X 1.....	2
21	3211-46	Screw, HH 3/8-24 X 2 Gr8 46" & 50".....	3
	3211-46	Screw, HH 3/8-24 X 2 Gr8 56".....	6
22	3217-11	Nut, Hex 5/8-11.....	2
23	3219-6	Nut, Hex 5/8-18.....	2
24	3231-22	Bolt, Carriage 3/8-16 X 1.....	8
25	3253-8	Washer, Lock 5/8.....	2
26	3230-22	Bolt, Carriage 5/16-18 x 1.....	3
27	3256-24	Washer, 3/8 SAE.....	6
28	3256-82	Washer.....	3
29	3290-357	Nut, Whizlock 3/8-16.....	2
30	3296-29	Nut, Nyloc 5/16-18.....	7
31	3296-39	Nut, Nyloc 3/8-16, 46" & 50".....	9
	3296-39	Nut, Nyloc 3/8-16 56".....	12
32	32128-37	Nut, Whizlock 7/16-14.....	16
33	109-2098	Kit, Antiscalp 46" & 50".....	3
	109-2098	Kit, Anitscap 56".....	6
34	109-2148	Asm, Discharge Chute.....	1
35	103-9817	Asm, Chain Deck.....	2
36	109-5529-01	Baffle, Scroll 46" & 50".....	1
	109-5530-01	Baffle, Scroll 56".....	1
37	3230-23	Bolt, Carriage 5/16-18 x 3/4, 46" & 50".....	2
	3230-23	Bolt, Carriage 5/16-18 x 3/4, 56".....	3
38	104-8300	Nut, Nyloc 5/16-18 Flg 46" & 50".....	2
	104-8300	Nut, Nyloc 5/16-18 Flg 56".....	3

Exmark red touch up paint (spray paint - P/N 1-850337 - .6 oz liquid bottle - P/N 103-9140).

### SPINDLE ASSEMBLY



Item	Part No.	Description	Qty.
1	109-2102	Asm, Cutter Housing Complete.....	3
2	1-513435	Washer, Spring Disk 1/2 .....	3
3	92-5581	Retaining Ring, Internal.....	3
4	103-3037	Bushing, Splined .....	3
5	109-2064	Asm, Bearing W/O-Rings .....	6
6	103-5895	O-Ring .....	12
7	3296-41	Nut, Nyloc 5/8-18 .....	3
8	103-9504	Guard, Bottom .....	3
9	103-9506	Spacer, Bearing .....	3
10	103-9522	Spacer, Splined Stepped .....	3
11	103-9523	Spacer, Splined .....	3
12	103-9539	Asm, Cutter Housing.....	3
13●	103-9540	Spindle, Double Spline.....	3
14	103-9541	Asm, Spindle Housing.....	3
15	109-0764	Asm, Housing W/Studs.....	3
16	109-1023	Sheave, Blade Drive 46" & 50".....	3
	109-0914	Sheave, Blade Drive 56" .....	3
17	109-1058	Nut, Spindle 7/8-14 .....	3
18	3213-6	Screw, HH 1/2-20 x 2 1/4 .....	3
19	3256-7	Washer, 5/8 Std.....	3
20	3296-39	Nut, Nyloc 3/8-16 .....	18

Item	Part No.	Description	Qty.
21	103-8296	Blade, Low Lift 46".....	3
	103-8370	Blade, Medium Lift 46".....	3
	103-8250	Blade, High Lift Solid 46".....	3
	103-8251	Blade, High Lift Notched 46".....	3
	103-8420	Blade, High Lift Ls Solid 46".....	3
	■ 103-8288	Blade, Mulch 46".....	3
	103-9598	Blade, Low Lift 50".....	3
	103-9600	Blade, Medium Lift 50".....	3
	103-9599	Blade, High Lift Solid 50".....	3
	103-9605	Blade, High Lift Notched 50".....	3
	103-9601	Blade, High Lift Ls 50".....	3
■	103-9602	Blade, High Lift Ls Solid 50".....	3
	103-9610	Blade, Mulch 50".....	3
	103-9603	Blade, Low Lift 56".....	3
	103-9607	Blade, Medium Lift 56".....	3
	103-9604	Blade, High Lift Solid 56".....	3
	103-9606	Blade, High Lift Notched 56".....	3
	103-9608	Blade, High Lift Ls 56".....	3
	103-9609	Blade, High Lift Ls Solid 56".....	3
	■ 103-9611	Blade, Mulch 56".....	3

Exmark red touch up paint (spray paint - P/N 1-850337 - .6 oz liquid bottle - P/N 103-9140).

- Requires installation of Micro-Mulch accessory for proper mulching. Mulch kit P/N MK465 (46"), MK505 (50"), and MK565 (56").
- Apply Mobil HTS grease (P/N 103-5217 1.5 oz packet) (or a food-grade anti-seize) between the spindles and bearings. DO NOT use a copper or nickel based anti-seize.

FRONT FRAME GROUP

Item	Part No.	Description	Qty.
1	103-2081	Asm, Lever W/Grip (103-2078-03) .....	1
2	1-633295	Grip, Lift Lever .....	1
3	106-6598-03	Arm Wldmt, Deck Lift .....	1
4	1-633325	Spring, Compression .....	1
5	3256-24	Washer, 3/8 SAE .....	1
6	3296-39	Nut, Nyloc 3/8-16 .....	5
7	1-633068	Arm, Deck Lift .....	2
8	103-1987	Asm, Deck Lift Spring .....	2
9	323-8	Screw, 3/8-16 x 1 1/2 .....	1
10	323-9	Screw, 3/8-16 x 1 3/4 .....	1
11	1-653230-01	Plate, Deck Lift.....	1
12	323-13	Screw, 3/8-16 x 2 3/4 .....	1
13	1-633082	Bushing, Lift Lever .....	1
14	1-652235-01	Plate Wldmt, Deck Lift .....	1
15	3290-357	Nut, Whizlock 3/8-16.....	15
16◆	1-633097	Hitch Pin W/Lanyard .....	1
17	323-6	Screw, 3/8-16 x 1 .....	1
18	1-413088	Bushing, Lift Lever .....	1
19*	109-2151	Asm, Front Frame (46") .....	1
*	109-2152	Asm, Front Frame (50") .....	1
*	109-2153	Asm, Front Frame (56") .....	1
20	32151-103	E-Ring.....	7
21	3256-29	Washer, 7/8 SAE Flat .....	6
22	1-652013-01	Shaft Wld, Deck Lift LH.....	1
23◇	109-4969-01	Wld, Foot Deck Lift RH .....	1
24	302-19	Zerk, 1/4-28 Straight .....	5
25	3217-11	Nut, 5/8-11 Regular.....	8
26	1-633441	Swivel, Deck Mount .....	4
27	3218-6	Jam Nut, 5/8-11 .....	4
28	1-805517	Washer, 5/8 Std Flat.....	2
29	1-653011	Rod, Deck Lift .....	2
30	1-653009	Spring, Deck Support.....	2

Item	Part No.	Description	Qty.
31	103-3155	Axle, Caster .....	2
32★	103-3051	Spacer, Nut .....	4
33	103-0063	Seal, Bearing .....	4
34	1-633585	Bearing Cone.....	4
35	3274-18	Screw, Socket Head 5/16-18 x 1 1/4.....	2
36	103-2768	Guard, Seal .....	4
37	325-36	Screw, 1/2-13 x 7 ½.....	2
38	1-632511-01	Caster Wldmt.....	2
39	3296-45	Nut, Nyloc 1/2-13 (Light Thin) .....	2
40	1-543511	Seal, Grease.....	2
41	3218-2	Nut, Jam 5/16 .....	2
42	103-3785	Asm, Caster Wheel .....	2
43	1-633508	Washer, Spring Disk .....	6
44	3296-51	Nut, Nyloc 3/4-10.....	2
45	103-4882	Cap, Grease .....	2
46	109-2149	Asm, Floorpan Liftout (103-8426-01) W/Decal.....	1
47	103-1918	Bushing .....	2
48	3230-1	Bolt, Carriage 5/16-18 x 3/4 .....	4
49	32128-20	Nut, Whizlock 5/16-18 .....	4
50	323-29	Screw, Cap 3/8-16 x 1.38 .....	2
51	1-806005	Hairpin, Cotter .....	1
52	1-543509	Bearing Cone, Tapered Roller .....	4
53	98-5975	Washer, 3/8 Disc Spring.....	12
54	3256-27	Washer, 5/8 SAE Flat.....	2
55	109-2150	Asm, Floorpan Front (103-9866-01) W/Decal.....	1
56	323-6	Screw, 3/8-16 x 1 .....	12
57	103-1982	Bushing, Spring .....	4
58	1-543508	Bearing Cup, Tapered Roller .....	4
59	1-811010	Plug .....	2

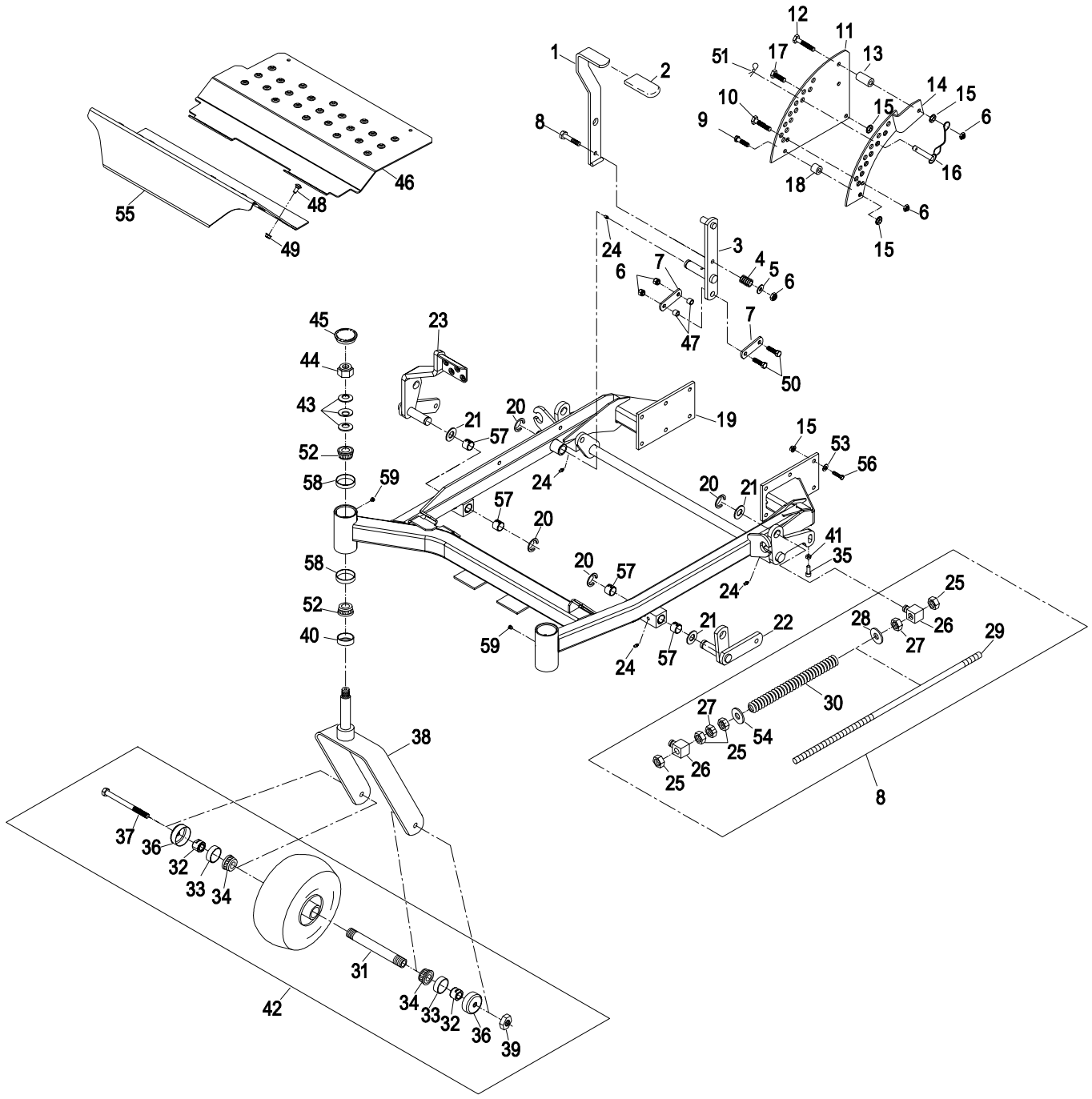
Exmark red touch up paint (spray paint - P/N 1-850337 - .6 oz liquid bottle - P/N 103-9140).

Exmark black touch up spray paint – gloss black.

- ★ Use Pro-Lock, Nut Type (P/N 1-840022, .5 ml tube) on spacer nut.
- \* Includes these items: #19 - #24, #35, #40, #41, #45, #57 - #59.
- ◇ Deck lift assist kit P/N 109-5201 (includes items #20, #21, & #23).
- ◆ Includes hitch pin plus hairpin, item #51.



### FRONT FRAME GROUP



MAINFRAME GROUP

Item	Part No.	Description	Qty.
1●	103-3524	Seat, Complete W/Armrests .....	1
2	1-643255	Track, Seat (4" Adjust.).....	1
	103-8386	Spring, Seat Rail.....	1
3	1-543401	Spacer, Seat Track .....	2
4	103-0292	Cushion, Armrest (RH).....	1
◆	103-0291	Cushion, Armrest (LH) .....	1
5	103-3520	Cushion, Backrest.....	1
6	103-3521	Cushion, Seat .....	1
7	103-5961	Catch, Seat Latch .....	1
8	323-39	Screw, 3/8-16 x 5 .....	2
9	32128-20	Nut, Whizlock 5/16-18.....	16
10	3296-29	Nut, Nyloc 5/16-18 .....	3
11	103-1731	Rod, Seat Hold Up.....	1
12	322-5	Screw, 5/16-18 x 1 .....	3
13	109-3970	Asm, Mainframe(109-3967-03) W/Decals .....	1
14	32128-33	Nut, Nyloc 1/4-20 .....	2
15	242-50	Nut, Wheel 1/2-20.....	8
16	3296-39	Nut, Nyloc 3/8-16 .....	3
17	109-2164	Asm, Console(103-9843-03) W/Decals .....	1
18	109-2165	Panel, Instrument (103-7939-03) W/Decals .....	1
19☆	FRPSL	Kit, Rops LHP .....	1
20	322-3	Screw, 5/16 -18 x 3/4 .....	3
21	103-2769	Wheel/Tire Assy (46") .....	2
	103-2770	Wheel/Tire Assy(50"&56").....	2
	1-653158	Wheel (46" Deck).....	2
	1-653161	Wheel (50" & 56") .....	2
	103-2771	Tire, 24 x 9.5-12 4 Ply .....	2

Item	Part No.	Description	Qty.
22	3256-23	Washer, Flat 5/16 SAE .....	2
23✦	103-4553	Asm, Rops Fold Pin.....	2
24	103-4423	Asm, Seat Frame .....	1
25	3296-73	Nut, Nyloc 1/4-20 (black) .....	2
26	103-7935-03	Bracket, Instrument Panel .....	1
27	322-4	Screw, HH 5/16-18 x 7/8.....	2
28	1-513658	Bumper.....	2
29	109-2365	Bumper, Rubber .....	4
30	1-633859	Seat Frame.....	1
31	322-2	Screw, 5/16-18 x 5/8.....	6
32	1-633396	Clip, Loom .....	1
33	3256-3	Washer, Flat Std 5/16.....	4
34	103-8383	Bolt, Seat Cushion.....	11
35	110-0883	Asm, Seat Belt.....	1
36	3296-7	Nut, Nyloc 7/16-20.....	2
37	3231-22	Bolt, Carriage 3/8-16x1 .....	2
38	325-13	Screw, HH 1/2-13 x 3 1/4.....	2
39	32128-23	Nut, Hex Flange Side Lock 1/2-13 .....	2
40	107-3155	Cotter, Hair Pin Double Loop .....	2
41	3212-4	Screw, HH 7/16-10 x 1.....	2
42	323-6	Screw, HH 3/8-16 x 1 .....	8
43	3290-357	Nut, Whizlock 3/8-16 .....	8
44	98-5975	Washer, Spring Disk 3/8.....	8
45	103-4434	Grip .....	1
46	107-3083	Latch, Seat .....	1
47	107-0075	Bushing .....	1
48	107-0076	Spring.....	1
49	323-20	Screw, 3/8-16 x 3 1/4.....	1
50	3256-24	Washer, 3/8 SAE Flat.....	1

Exmark black touch up spray paint – gloss black.

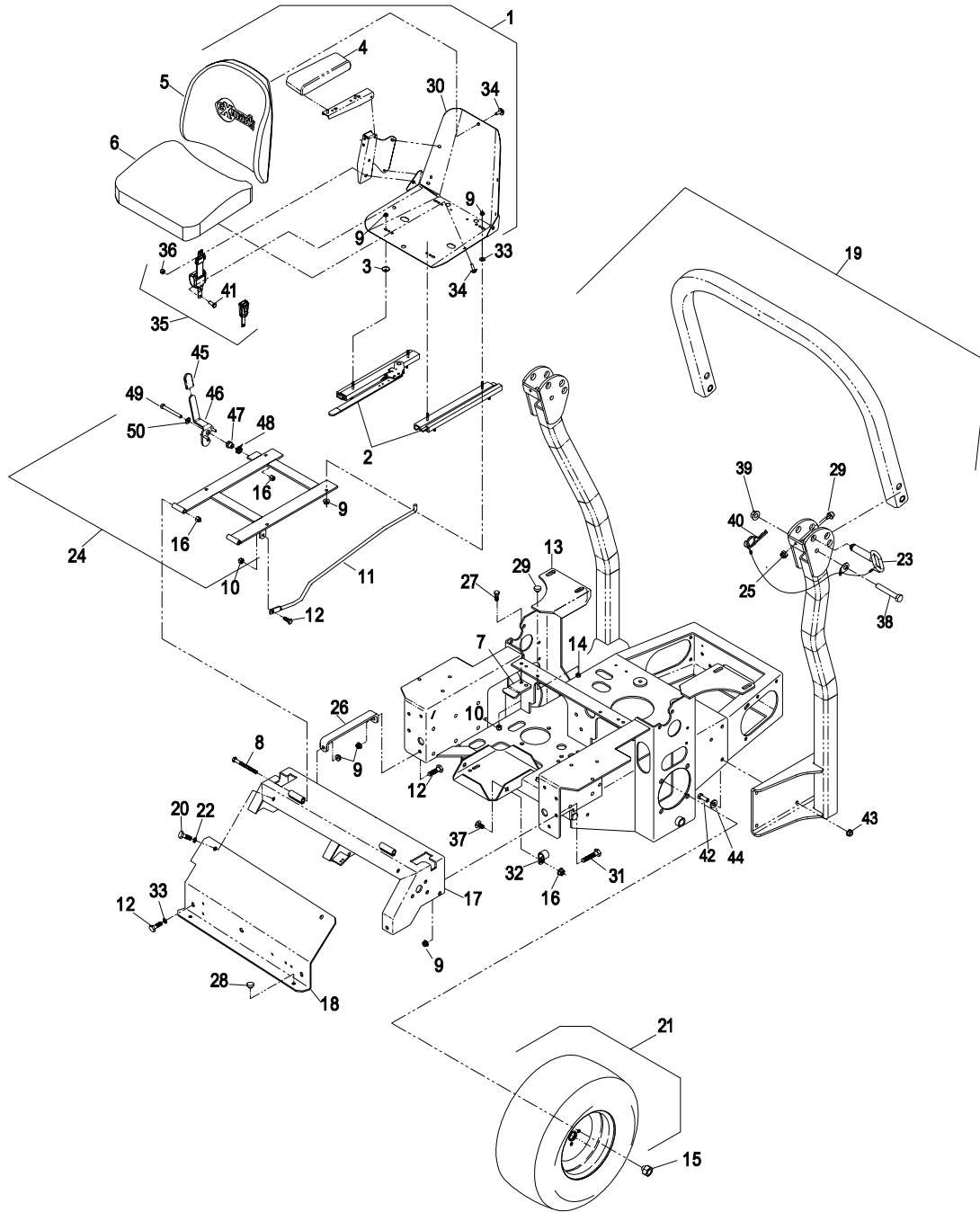
◆ Not Illustrated.

✦ Includes ROPS fold pin plus hairpin item #40.

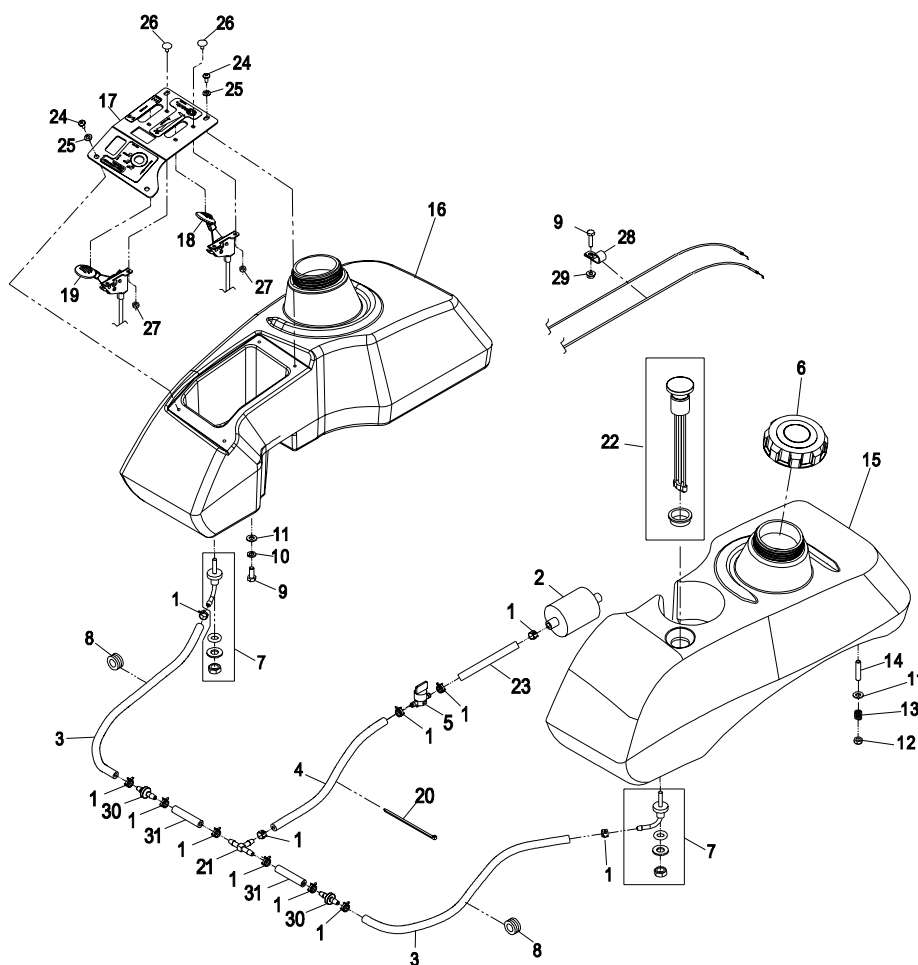
☆ Rollover protection frame is serviced as a complete assembly only. Includes complete ROPS frame, mounting hardware, fold pivot and locking hardware, seat frame assembly item #24, catch item #7, and seat belt assembly item #35.

● Includes armrests and seat back decal. Does not include seat belt or tracks.

### MAINFRAME GROUP



## FUEL GROUP



Item	Part No.	Description	Qty.
1	1-303077	Clamp, Fuel Line.....	12
2	◆ <b>Kohler</b>	Part No. 2405010 Fuel Filter .....	1
	◆ <b>Kawasaki</b>	Part No. 49019-7001 Fuel Filter .....	1
3	109-2225	Hose, Fuel Line 20 1/2".....	2
4	109-0275	Hose, Fuel Line 32".....	1
5	1-603770	Valve, Fuel.....	1
6	109-0346	Cap, Fuel Tank .....	2
7	▼ 103-2605	Fitting, Fuel Bulkhead W/Strainer .....	2
	103-2784	O-Ring .....	2
8	1-543296	Grommet, Fuel Line .....	2
9	322-3	Screw, 5/16-18 x 3/4 .....	5
10	1-805005	Washer, Lock 5/16.....	4
11	3256-23	Washer, 5/16 SAE .....	8
12	3296-47	Nut, Nyloc 5/16-18 .....	4
13	1-633349	Spring, Fuel Tank.....	4
14	◇ 1-633023	Stud, Fuel Tank .....	4
15	★ 103-4898	Asm, Tank Fuel (LH).....	1

Item	Part No.	Description	Qty.
16	★ 109-0686	Asm, Tank Fuel (RH).....	1
17	109-4509	Asm, Control Panel W/Decals .....	1
18	109-3987	Control, Throttle (Red).....	1
19	109-4211	Control, Choke (Black) (Kohler) .....	1
	109-4210	Control, Choke (Black) (Kawasaki) .....	1
20	1-303335	Plastic Tie (Large) .....	1
21	99-5005	Fitting, Barbed Tee.....	1
22	103-6563	Kit, Fuel Gage .....	1
23	109-0660	Hose, Fuel Line 3 1/2" .....	1
24	■ 32122-30	Screw, PTH #10-24 x 1/2.....	4
25	1-303435	Washer, Spring Disk 1/4.....	4
26	1-807513	Bolt, Carriage #10-24 x 1/2.....	4
27	3296-2	Nut, Nyloc #10-24.....	4
28	1-633396	Clip, Loom 5/8 .....	1
29	32128-20	Nut, Whizlock 5/16-18 .....	1
30	99-5000	Valve, Fuel Check .....	2
31	109-0304	Hose, Fuel Line 2 1/2" .....	2

◇ Use Pro-Lock, Retaining Type (P/N 1-840023, .5ml tube) on stud threads going into tank.

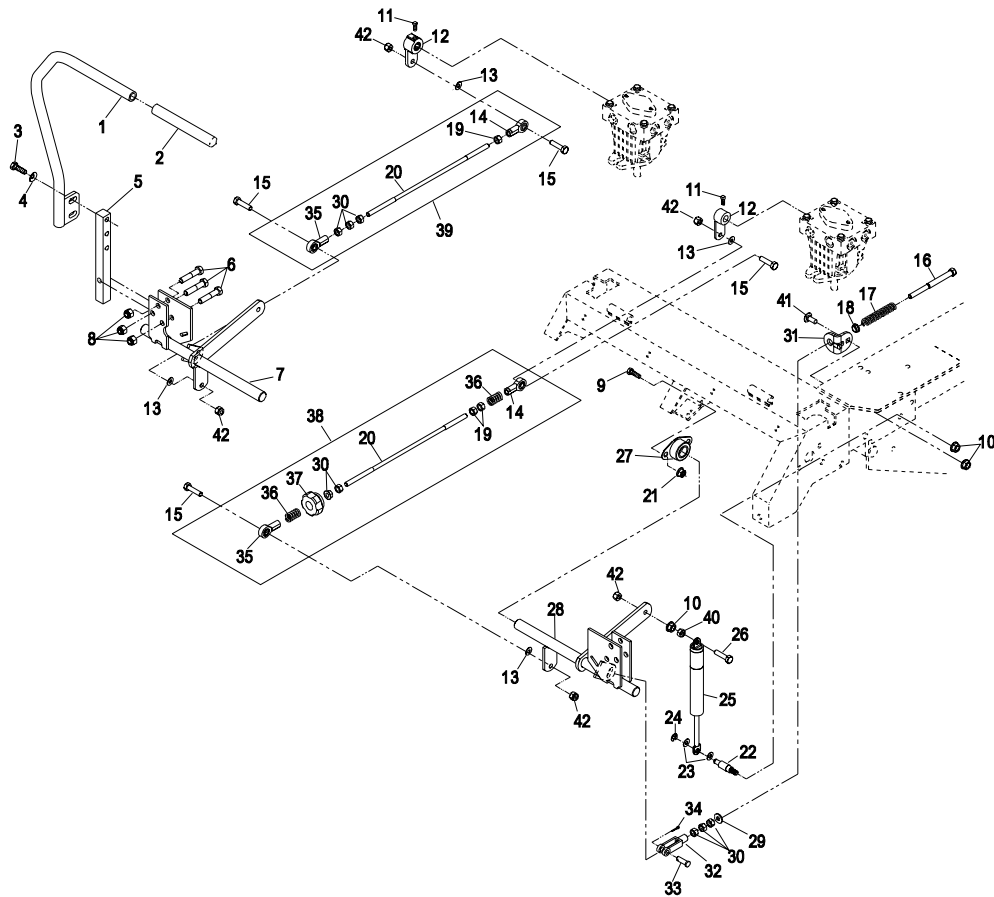
◆ Refer to Engine Owner's manual. (Fuel filter **Must** be 15 Micron or smaller).

★ Includes tank, cap, fitting, and studs. LH tank also includes fuel gauge.

▼ Use Pro-Lock, Nut Type (P/N 1-840022, .5ml tube) on fuel fitting.

■ Snug fit only on slotted holes, **Do Not Overtighten**, tank must be able to expand.

### MOTION CONTROL GROUP



Item	Part No.	Description	Qty.
1	103-3458	Handle 103-3327-03 W/Grip (RH).....	1
*	103-3457	Handle 103-3326-03 W/Grip (LH).....	1
2	1-633257	Grip, Motion Cntrl Handle.....	2
3	323-6	Screw, 3/8-16 x 1.....	4
4	98-5975	Washer, Disc Spring 3/8.....	4
5	103-0407	Arm, Control Shaft.....	2
6	323-9	Screw, 3/8-16 x 1 3/4.....	6
7	103-4773	Bracket, Motion Cntrl (RH).....	1
8	3296-39	Nut, Nyloc 3/8-16.....	6
9	323-4	Screw, 3/8-16 x 3/4.....	8
10	32128-20	Nut, Whizlock 5/16-18.....	6
11◆	1-803022	Setscrew, 5/16 x 5/8.....	2
12	103-3717	Arm, Pump Control.....	2
13	3256-3	Washer, 5/16 Std.....	4
14	1-633152	Ball Joint (LH).....	2
15	322-6	Screw, 5/16-18 x 1 1/4.....	4
16	1-603737	Bolt, (Neutral Return).....	2
17	1-603807	Spring, (Neutral Return).....	2
18	109-3769	Bushing, Nylon (Reverse Ind.).....	2
19	1-804524	Nut, 5/16-24 (LH).....	3
20	103-3066	Link, Pump Control.....	2
21	3290-357	Nut, Whizlock 3/8-16.....	8

Item	Part No.	Description	Qty.
22	103-4101	Pin, Damper Anchor.....	2
23	3256-23	Washer, 5/16 SAE.....	4
24	32120-35	E-Ring.....	2
25	109-2339	Damper.....	2
26	1-403180	Screw, 5/16-18x1 1/4 Special.....	2
27	1-633102	Bearing, Flanged.....	4
28	103-4774	Bracket, Motion Control(LH).....	1
29	3256-2	Washer, 1/4.....	2
30	3219-2	Nut, 5/16-24.....	10
31	109-3908	Tab, Adjustment.....	2
32	1-303105	Yoke.....	2
33	1-808280	Pin, Clevis 5/16 x 1.....	2
34	3272-5	Pin, Cotter 3/32 x 1/2.....	2
35	1-543017	Ball Joint (RH).....	2
36	1-323245	Spring, Compression.....	2
37	103-3060	Knob, Tracking.....	1
38	103-4326	Asm, Tracking.....	1
39	103-4327	Asm, Tracking.....	1
40	3217-6	Nut, Hex 5/16-18.....	2
41	3230-23	Bolt, Carriage 5/16-18 x 3/4, short neck.....	2
42	3296-29	Nut, Nyloc 5/16-18.....	6

Exmark black touch up spray paint – gloss black.

\* Not Illustrated.

◆ Use Pro-Lock, Nut Type (P/N 1-840022, .5ml tube) on setscrews.

PARK BRAKE GROUP

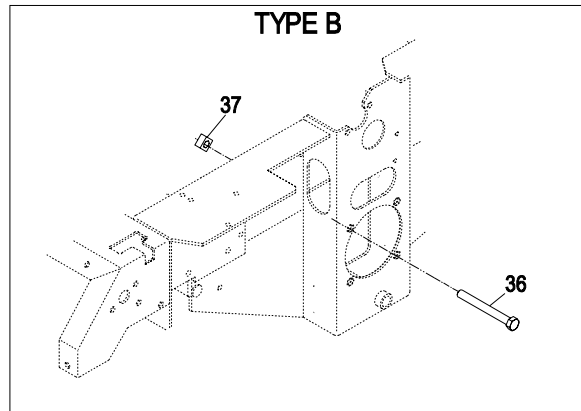
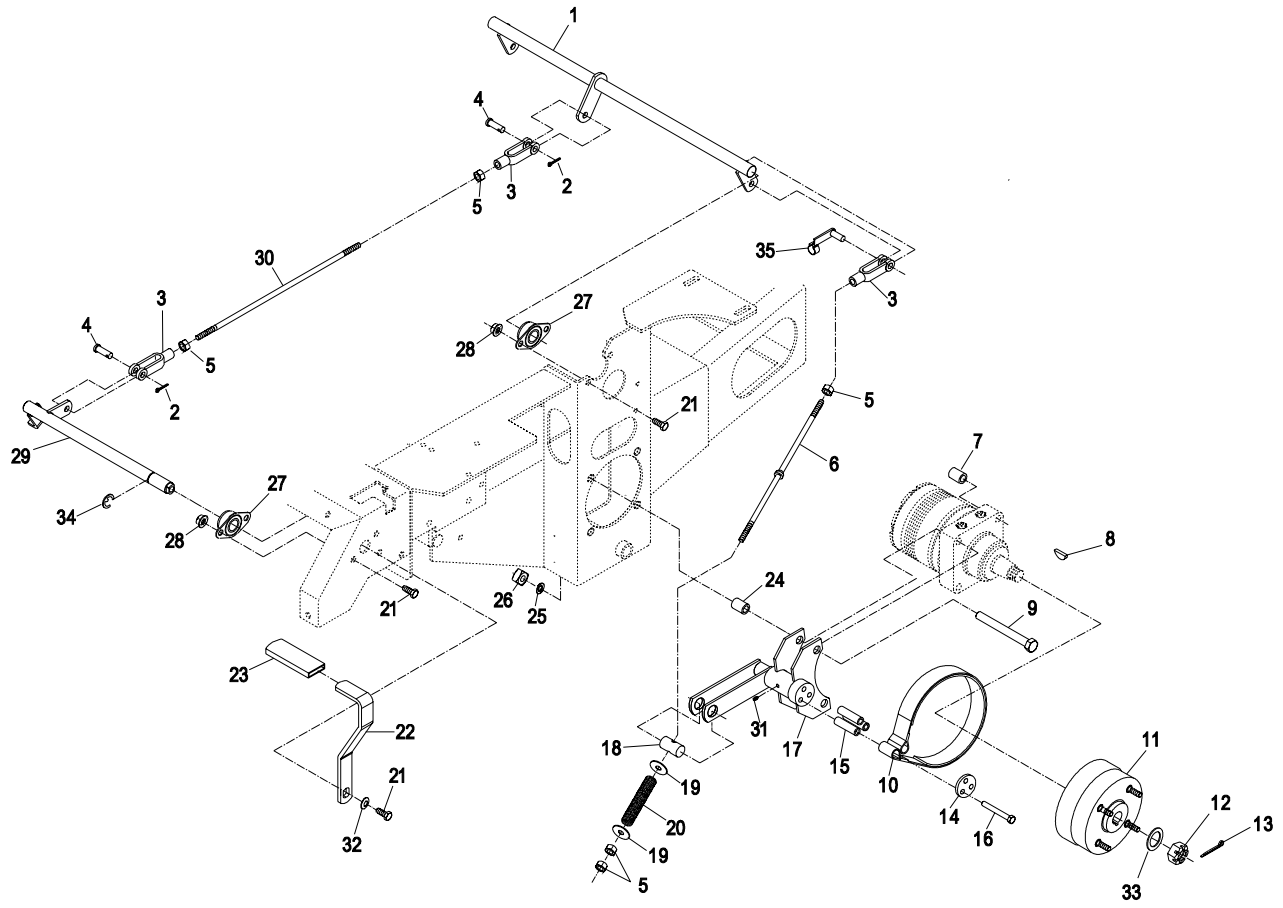
Item	Part No.	Description	Qty.
1	1-652073-03	Crank Wldmt, Brake.....	1
2	3272-10	Pin, Cotter 1/8 x 3/4 .....	2
3	1-633131	Yoke .....	4
4	1-808285	Pin, Clevis 3/8 x 1 1/8 .....	2
5	3219-3	Nut, 3/8-24 .....	8
6	103-0356	Rod, Brake.....	2
7	1-653068	Spacer (Long) 46" & 50" Deck .....	4
*	1-653380	Spacer (Long) 56" Deck .....	4
8	3257-42	Woodruff Key, 5/16 x 1 .....	1
9	325-13	Screw, 1/2-13 x 3 1/4 G5, 46" & 50" .....	8
	1-800348	Screw, 1/2-13 x 4 1/4 G5, 56" .....	8
10	103-9761	Band, Brake.....	2
11	103-0590	Hub & Drum W/Studs, Plated .....	2
	1-633926	Stud, Wheel.....	8
12	1-809036	Nut, Slotted 1.00-20.....	2
13	1-806800	Pin, Cotter 9/64 x 1 1/2 .....	2
14	103-0374	Retainer, Brake Band.....	2
15	103-0384	Spacer .....	6
16	322-9	Screw, 5/16-18 x 1 3/4 .....	6
17	103-0352-03	Bracket, Brake 46" & 50".....	2
*	103-0353-03	Bracket, Brake 56" .....	2
18	1-633144	Pin, Trunion .....	2

Item	Part No.	Description	Qty.
19	3256-4	Washer, 3/8 Std.....	4
20	1-633454	Spring, Brake Rod .....	2
21	323-4	Screw, 3/8-16 x 3/4.....	9
22	103-4630	Asm, Lever (1-653074-03) W/Grip.....	1
23	1-633268	Grip, Brake Lever.....	1
24	1-653069	Spacer(Short) 46" & 50" Deck.....	4
*	1-653381	Spacer(Short) 56" Deck .....	4
25	3253-7	Washer, Lock 1/2 .....	8
26	103-0131	Nut, Sq.Reg. 1/2-13UNC-2B.....	8
27	1-633102	Bearing, Flange .....	4
28	3290-357	Nut, Whizlock 3/8-16 .....	8
29	103-3116	Shaft Wldmt, Brake .....	1
30	1-653061	Linkage, Brake Handle .....	1
31	1481	Zerk, Grease.....	2
32	98-5975	Washer, Disc Spring 3/8.....	1
33	1-523157	Washer, Spacer.....	2
34	32151-48	Ring, Retaining .....	1
35	103-2399	Pin, Spring Clevis .....	2
36	325-12	Screw, HH 1/2-13 x 3, 46" & 50" .....	8
	325-17	Screw, HH 1/2-13 x 4, 56" .....	8
37	109-5618	Nut, Square Special 1/2-13.....	8

Exmark black touch up spray paint – gloss black.

\* Not Illustrated.

### PARK BRAKE GROUP



HYDRAULIC GROUP

Item	Part No.	Description	Qty.
1	103-1947	Asm, Reservoir W/ Decal.....	1
2	103-7615	Asm, Cap W/Gasket.....	1
3	103-1949	Gasket, Reservoir Cap.....	1
4	321-6	Screw, 1/4-20 x 1.0.....	2
5	3256-22	Washer, Flat SAE 1/4.....	2
6	103-3071-03	Wld, Reservoir Stand.....	1
7	103-1801	Adapter, Straight.....	1
	1-603921	Boss O-Ring.....	1
8	103-1912	Adapter, Straight.....	1
	1-603921	Boss O-Ring.....	1
9	103-1716	Clamp, Hose (17/32).....	3
10	103-1988	Clamp, Hose (11/16).....	3
11	103-3077	Asm, Supply Hose.....	1
12	103-2889	Asm, Filter Head.....	1
	103-1912	Adapter, Straight.....	2
	1-603921	O-Ring.....	1
13	321-3	Screw, 1/4-20 x 5/8.....	2
14	322-5	Screw, 5/16-18 x 1.....	1
15	1-805004	Lockwasher.....	2
16	109-4180	Element, Oil Filter.....	1
▼	1-523541	Element, Oil Filter (Winter).....	1
17	103-2930	Asm, Charge Hose.....	1
18	103-2357	Asm, Case Drain Hose.....	1
19	1-653187	Hose, RH Rear 46" & 50".....	1
	1-653437	Hose, RH Rear 56".....	1
20	109-2524	Hose, RH Front 46" & 50".....	1
	109-2525	Hose, RH Front 56".....	1
21	1-633605	Elbow, 90° (RH Wheel Motor).....	2
	1-603919	Boss O-Ring.....	1
	1-603992	Flare O-Ring.....	1
22+	103-6988	Motor, Wheel (TL Style).....	2
	103-6996	Kit, Output Shaft & Seals (TL Style).....	1
	1-523328	Motor, Wheel (TF Style).....	2
	103-6995	Kit, Output Shaft & Seals (TF Style).....	1
	103-6994	Kit, Seal (TL & TF Style).....	1
23	103-1799	Elbow, 90°.....	2
	1-603921	Boss O-Ring.....	1
24	1-807272	Key 5 x 5 x 25mm.....	2
25	103-1802	Elbow, 90°.....	2
	1-603921	Boss O-Ring.....	1

Item	Part No.	Description	Qty.
26	3256-24	Washer, 3/8 SAE Flat.....	1
27	322-3	Screw, 5/16-18 x 3/4.....	1
28	1-603991	Adapter, Straight (LH Wheel Motor).....	2
	1-603919	Boss O-Ring.....	1
	1-603992	Flare O-Ring.....	1
29	3290-357	Nut, Whizlock 3/8-16.....	6
30	323-7	Screw, 3/8-16 x 1 1/4.....	4
31	103-1940	Adapter, Straight Long.....	4
	1-603920	Boss O-Ring.....	1
	1-603992	Flare O-Ring.....	1
32◇	1-803050	Setscrew, .312-18 x .75.....	4
33	1-653156	Sheave, Pump Drive.....	2
34	103-4480	Spring, Extension.....	1
35	3296-39	Nut, Nyloc 3/8-16.....	1
36	98-5975	Washer, Disc Spring.....	1
37	103-3505	Seal, Double, Lip.....	1
38	103-5677	Spacer.....	1
39	109-4311	Arm, Idler W/ Bearings.....	1
40	3234-11	Screw, 3/8-16 x 1 Whizlock.....	1
41	302-40	Zerk, 90° 1/4-28.....	1
42	323-9	Screw, 3/8-16 x 1 3/4.....	1
43	98-5961	Screw, 3/8-16 x 4 Gr 8.....	1
44	3256-4	Washer, 3/8 Std Flat.....	1
45	106-7159	O-ring.....	2
46	32128-20	Nut, 5/16-18 Whizlock.....	2
47	109-4077	Pulley, Idler.....	1
48	109-4608	Hose, LH 46" & 50".....	2
	109-4609	Hose, LH 56".....	2
49	103-4761	Belt, Pump Drive.....	1
50	103-1942	Pump, Hydro.....	2
	103-2664	Kit, Input Shaft 10A.....	1
	94-6922	Kit, Thrust Bearing 10A.....	1
	103-2666	Kit, Cylinder Block 10A.....	1
	105-6184	Kit, Overhaul Seal.....	1
	103-2741	Kit, Shock Valve 10a/10l.....	1
51	103-3506	Seal, Single Lip.....	1
52	32120-10	Ring, Retaining.....	2
53	103-3504	Bearing, Spherical.....	2

Exmark black touch up spray paint – gloss black.

▼ Use only for operation below 32°F (0°C).

◇ Use Pro-Lock, Nut Type (P/N 1-840022).

+ Check the serial number on the front of the wheel motor to determine the style.





ENGINE GROUP

Item	Part No.	Description	Qty.
1	103-3078-03	Strap, Engine Guard .....	2
2	32128-20	Nut, Whizlock 5/16-18 .....	20
3	322-3	Screw, 5/16-18x3/4 (46"&50") .....	20
	322-3	Screw, 5/16-18x3/4 (56") .....	12
4	33114-025	Screw, HH M8-1.25 x 20 .....	1
5	1-653313	Gasket, (23 HP KAW) .....	2
	1-653290	Gasket, (19 HP KAW) .....	2
6	103-3426	Muffler, Kit (KOH) .....	1
7	1-805005	Washer, Lock 5/16 Heavy .....	1
8	3256-3	Washer, 5/16 Std Flat .....	3
9	3296-29	Nut, Nyloc 5/16-18 (KAW) .....	4
	32128-20	Nut, Whizlock 5/16-18 (KOH) .....	4
10	322-9	Screw, 5/16-18 x 1 3/4 .....	4
11	103-3218-03	Wld, Tailpipe Guard .....	1
12◇	109-0876	Asm, Oil Drain W/Plug (KOH) .....	1
13	3230-3	Bolt, Carriage 5/16-18 x 1 1/4 .....	1
14	108-1058	Rod, Belt .....	1
15	3296-29	Nut, Nyloc 5/16-18 .....	1
16*	32128-33	Nut, Flange 1/4-20 .....	6
▲	32128-33	Nut, Flange 1/4-20 .....	4
17*	3229-10	Screw, Carr 1/4-20 x 1/2 .....	6
▲	3229-10	Screw, Carr 1/4-20 x 1/2 .....	4
18	103-3288-03	Guard, Muffler RH (56") .....	1
19	103-3287-03	Guard, Muffler LH (56") .....	1
20	1-807259	Key .....	1
21	103-2308	Spacer, Crankshaft .....	1
	103-9891	Spacer, Crankshaft (27 HP ONLY) .....	1
22	103-3913	Sheave, Pump Drive .....	1
	103-9772	Sheave, Pump Drive (27 HP ONLY) .....	1
23	109-2916	Clutch .....	1
	103-9780	Clutch (27 HP ONLY) .....	1
	103-3012	Kit, Brake Pole Module .....	1

Item	Part No.	Description	Qty.
24	1-603610	Washer, Disc Spring 7/16 .....	2
25◆	3212-12	Screw, 7/16-20 x 3 (KAW) .....	1
◆	3212-10	Screw, 7/16-20 x 2 1/2 (KOH) .....	1
26	1-303335	Plastic Tie (Large) .....	3
27	1-303334	Washer, Spring Disc .....	5
28	3256-23	Washer, 5/16 SAE Flat(46"&50") .....	4
	3256-23	Washer, 5/16 SAE Flat (56") .....	12
29	103-2740-03	Shield, Heat .....	1
30	33113-016	Screw, HH M6-1 x 16mm .....	2
31	33113-025	Screw, HH M6-1 x 25mm .....	1
32	107-8241-03	Counterweight, 60# (56") .....	1
33	322-7	Screw, Cap HH 5/16-18x1 1/2 (56") .....	8
34	109-4490	Asm, Hose Oil Drain W/Plug (KAW) .....	1
35	109-1012	Plug .....	1
36	103-3427	Muffler, Kit 23HP (KAW) .....	1
	103-4483	Muffler, Kit 19HP (KAW) .....	1
37	103-2993-03	Bracket, Muffler LH (23 HP KAW) .....	1
	109-3476-03	Bracket, Muffler LH (19 HP KAW) .....	1
38	103-2994-03	Bracket, Muffler RH (23 HP KAW) .....	1
	109-3477-03	Bracket, Muffler RH (19 HP KAW) .....	1
39	1-653291	Gasket, (KOH) .....	2
40	103-3094-03	Deflector, Air LH (KOH) .....	1
41	103-3095-03	Deflector, Air RH (KOH) .....	1
42	103-2987-03	Bracket, Muffler LH (KOH) .....	1
43	103-2988-03	Bracket, Muffler RH (KOH) .....	1
44	33013-00	Nut, Hex M6-1 .....	2
45	33113-020	Screw, HH M6-1 x 20mm .....	2
46*	1-805004	Washer, Lock 1/4 Hvy .....	4
▲	1-805004	Washer, Lock 1/4 Hvy .....	3
47	103-3219-03	Guard, Rear LHP .....	1

Exmark black touch up spray paint – gloss black.

- ◇ Use a Teflon Pipe Sealant or equivalent on threads.
- ◆ Use Pro-Lock, Nut Type (P/N 1-840022, .5ml tube) on clutch bolt.
- \* Kohler units only.
- ▲ Kawasaki units only.

**Kohler Replacement Parts List**

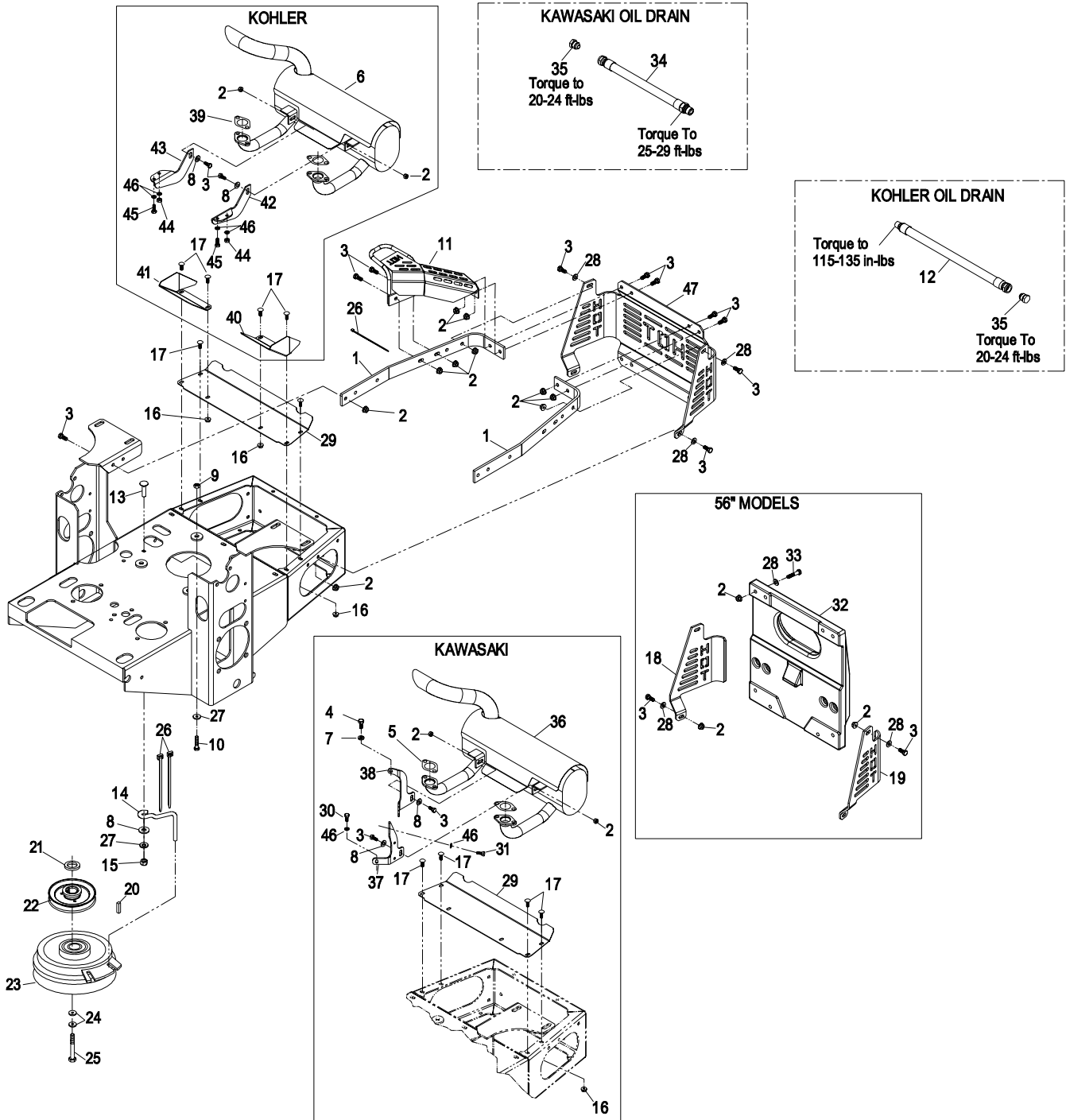
(Refer to Engine Owner's Manual)

<u>Description</u>	<u>Kohler P/N</u>
Air Filter Element – Outer .....	2508301-S
Air Filter Element – Inner .....	2508304-S

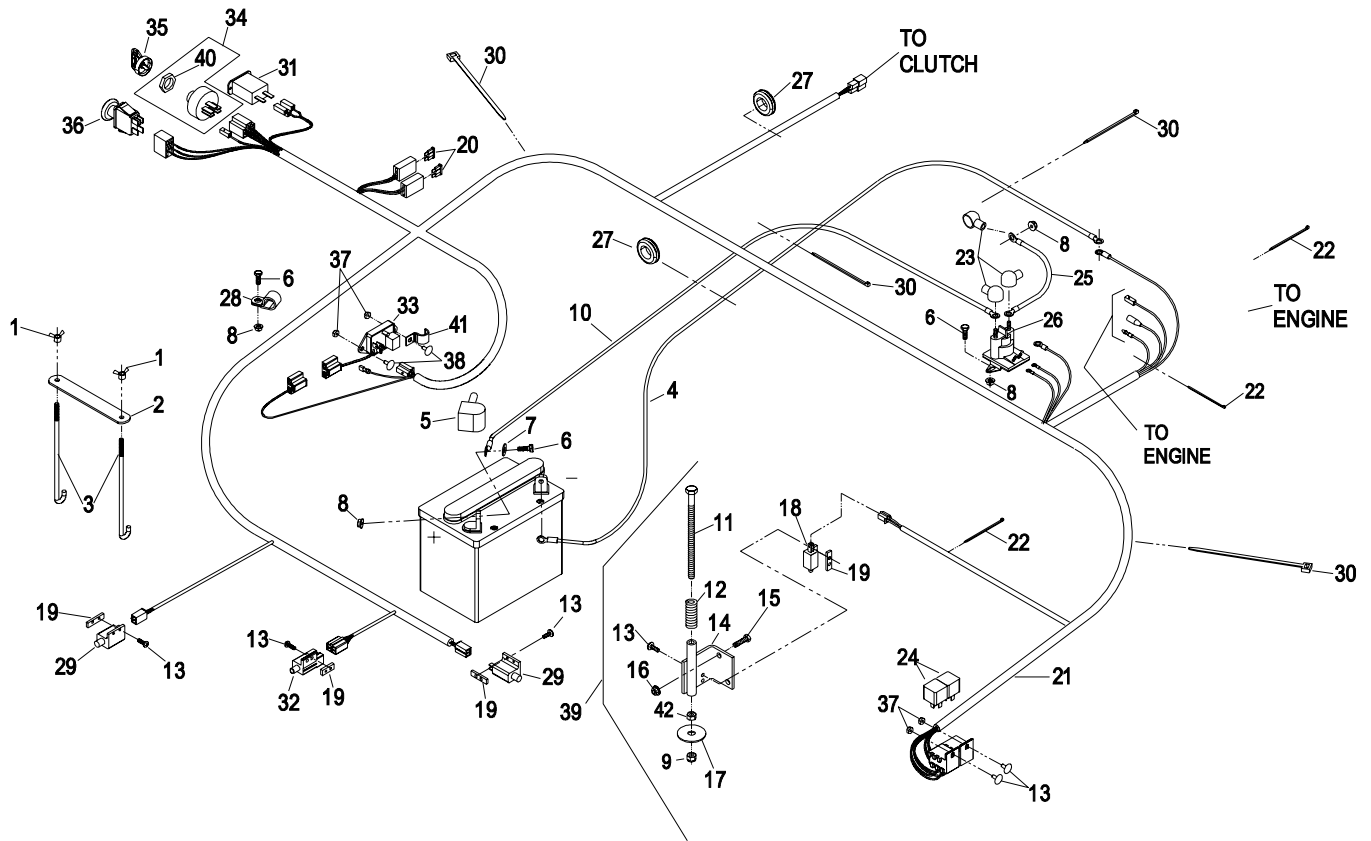
**Kawasaki Replacement Parts List**

<u>Description</u>	<u>Kawasaki P/N</u>
23 HP Air Filter Element Kit (Inner & Outer) .....	11010-7004
19 HP Air Filter Element .....	11013-7028

# ENGINE GROUP



### KAWASAKI ELECTRICAL GROUP



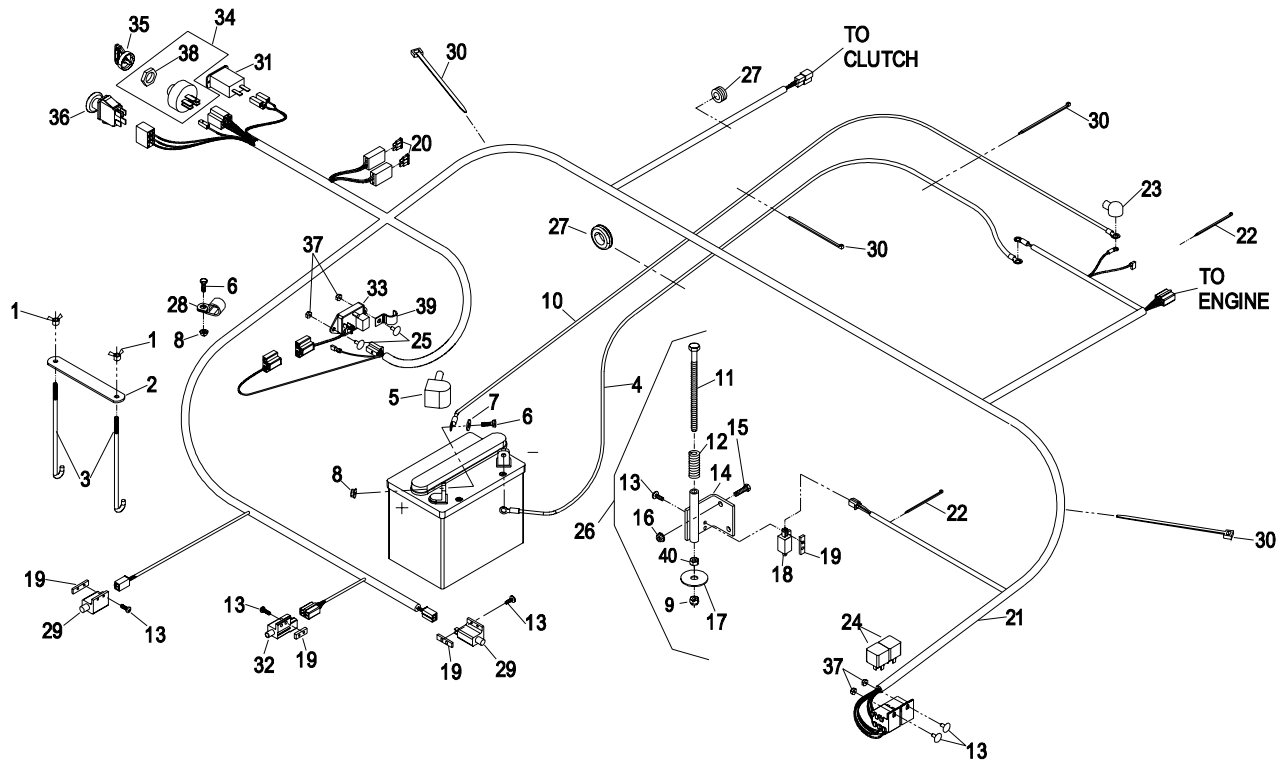
Item	Part No.	Description	Qty.
1	1-543792	Wingnut, Nyloc 1/4-20.....	2
2	107-9277-03	Strap, Battery Holddown .....	1
3	1-633651	Bolt, Battery Holddown.....	2
4	103-0705	Cable, Ground (-).....	1
5	1-543391	Insulator, Battery.....	1
6	321-4	Screw, 1/4-20 x 3/4.....	5
7	3256-2	Washer, 1/4 Flat .....	2
8	32128-33	Nut, 1/4-20 Whizlock .....	6
9	3296-29	Nut, Nyloc 5/16-18 .....	1
10	103-0707	Cable, Battery (+).....	1
11	1-800282	Screw, 5/16-18 x 7 .....	1
12	1-523415	Spring, Seat Switch.....	1
13	3290-500	Screw, #10-24 x 5/8 .....	10
14	1-652072-03	Bracket W/ldmt, Seat Switch.....	1
15	322-3	Screw, 5/16-18 x 3/4 .....	2
16	32128-20	Nut, Whizlock 5/16-18.....	4
17	1-653036	Washer .....	1
18	1-513152	Switch, Seat.....	1
19	1-633181	Plate .....	4
20	1-816001	Fuse-20 Amp .....	2
21◆	103-9260	Harness, Wiring .....	1
22	1-303287	Plastic Tie, Small .....	2

Item	Part No.	Description	Qty.
23	1-543393	Insulator, Solenoid (+).....	3
24	1-643275	Relay, 12 V .....	2
25	1-633306	Cable, Starter (+) .....	1
26	1-513075	Switch, 12V Solenoid.....	1
27	1-543286	Grommet .....	2
28	1-633396	Clip, Loom 5/8 .....	1
29	1-513051	Switch, Drive Lever N.O.....	2
30	1-303335	Plastic Tie, Large .....	4
31	1-513374	Meter, Engine Hours .....	1
32	1-633111	Switch, Brake N.O./N.C. ....	1
33	103-5218	Module, Seat Delay .....	1
34	109-4736	Asm, Switch W/Nut.....	1
35	103-2106	Key, Exmark Logo .....	1
	1-603511	Key, Ignition.....	1
36	103-5221	Switch, Blade.....	1
37	3296-2	Nut, Nyloc #10-20 .....	4
38	1-803075	Screw-head, Truss [#10-24X.75].....	2
39	103-5685	Asm, Seat Switch Actuator .....	1
40	103-0498	Nut, Ignition .....	1
41	103-1193	Clip, Loom Half .....	1
42	3217-6	Nut, Hex 5/16-18.....	1

Exmark black touch up spray paint – gloss black.

◆ Use dielectric grease on all wiring harness connectors.

## KOHLER ELECTRICAL GROUP



Item	Part No.	Description	Qty.
1	1-543792	Wingnut, Nyloc 1/4-20.....	2
2	107-9277-03	Strap, Battery Holdown .....	1
3	1-633651	Bolt, Battery Holdown.....	2
4	103-0705	Cable, Ground (-).....	1
5	1-543391	Insulator, Battery.....	1
6	321-4	Screw, 1/4-20 x 3/4 .....	3
7	3256-2	Washer, 1/4 Flat .....	2
8	32128-33	Nut, 1/4-20 Whizlock .....	3
9	3296-29	Nut, Nyloc 5/16-18 .....	1
10	1-523281	Cable, Battery (+).....	1
11	1-800282	Screw, 5/16-18 x 7 .....	1
12	1-523415	Spring, Seat Switch.....	1
13	3290-500	Screw, #10-24 x 5/8 .....	10
14	1-652072-03	Bracket Wldmt, Seat Switch.....	1
15	322-3	Screw, 5/16-18 x 3/4 .....	2
16	32128-20	Nut, Whizlock 5/16-18.....	4
17	1-653036	Washer .....	1
18	1-513152	Switch, Seat.....	1
19	1-633181	Plate .....	4
20	1-816001	Fuse-20 Amp .....	2
21◆	103-9259	Harness, Wiring .....	1

Item	Part No.	Description	Qty.
22	1-303287	Plastic Tie, Small .....	2
23	1-543393	Insulator, Solenoid (+).....	1
24	1-643275	Relay, 12 V .....	2
25	1-803075	Screw-head, Truss [#10-24X.75].....	2
26	103-5685	Asm, Seat Switch Actuator .....	1
27	1-543286	Grommet .....	2
28	1-633396	Clip, Loom 5/8 .....	1
29	1-513051	Switch, Drive Lever N.O.....	2
30	1-303335	Plastic Tie, Large .....	4
31	1-513374	Meter, Engine Hours.....	1
32	1-633111	Switch, Brake N.O./N.C.....	1
33	103-5218	Module, Seat Delay .....	1
34	109-4736	Asm, Switch W/Nut.....	1
35	103-2106	Key, Exmark Logo .....	1
	1-603511	Key, Ignition.....	1
36	103-5221	Switch, Blade.....	1
37	3296-2	Nut, Nyloc #10-24 .....	4
38	103-0498	Nut, Ignition .....	1
39	103-1193	Clip, Loom Half .....	1
40	3217-6	Nut, Hex 5/16-18.....	1

Exmark black touch up spray paint – gloss black.

◆ Use dielectric grease on all wiring harness connectors.

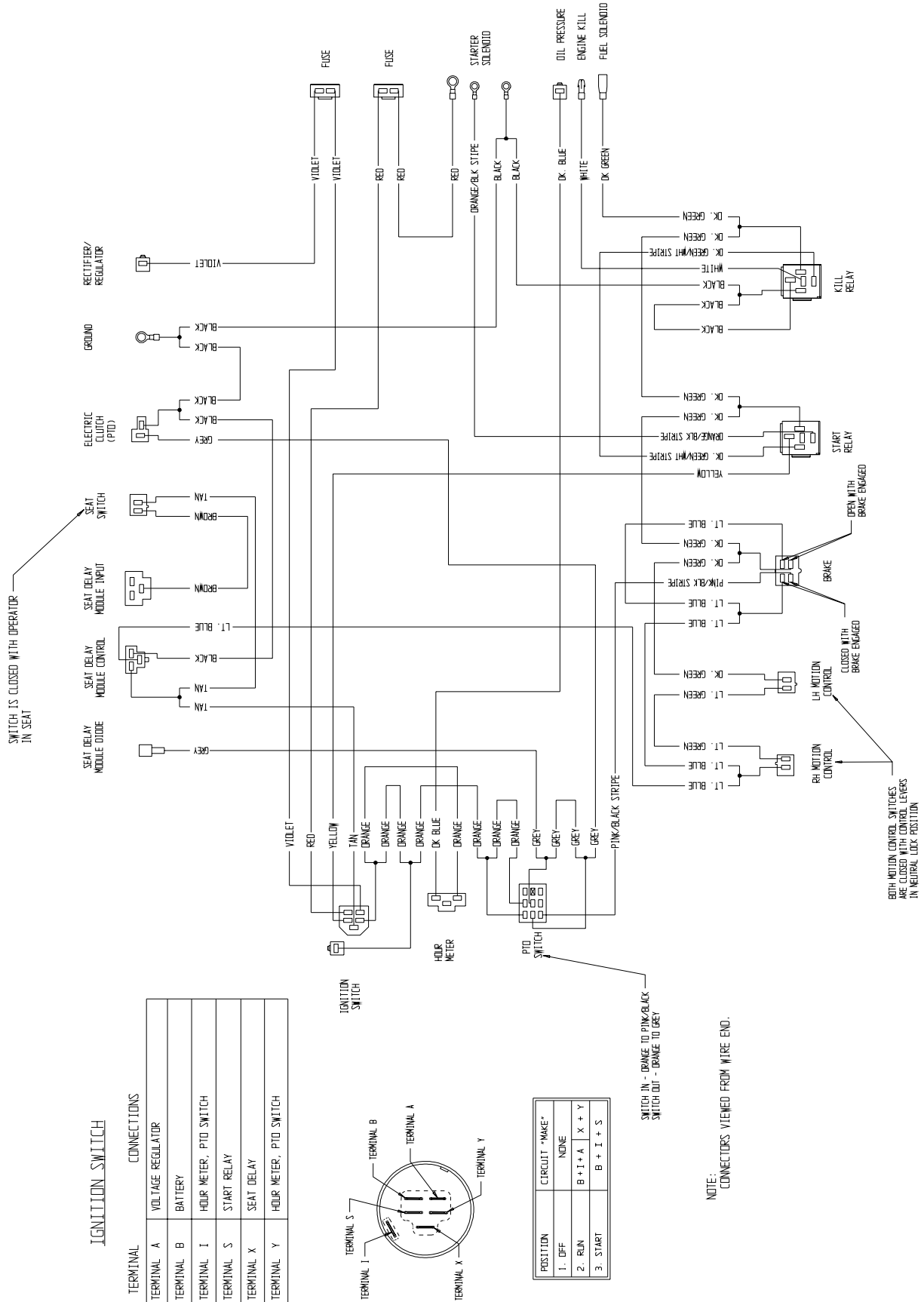
DECAL GROUP

Item	Part No.	Description	Qty.
1	103-4891	Decal, Console LHP.....	1
2	1-513748	Decal, Guard.....	1
3	109-1399	Decal, Anti-Scalp .....	1
4	109-2108	Decal, Triton 46" .....	1
5	1-513742	Decal, No step .....	2
6	107-2112	Decal, Danger slope .....	1
7	107-2102	Decal, ROPS folding.....	1
8	109-2113	Decal, Triton Badge .....	1
9	103-4892	Decal, Control LHP .....	1
10	1-303508	Decal, Discharge Warning .....	1
11	1-513746	Decal, Muffler.....	2
12	109-1224	Decal, Belt Routing .....	1
13	1-403005	Decal, Danger .....	2
14	1-523552	Decal, Hyd Tank/Hot Surface.....	1

Item	Part No.	Description	Qty.
15	1-653147	Decal, Deck Height.....	1
16	109-3148	Decal, Bolt Torque .....	2
17	103-2644	Decal, Exhaust System.....	1
18	103-3142	Decal, LHP Model.....	1
19	103-6340	Decal, Check Service .....	1
20	103-2882	Decal, Exmark Logo .....	1
21	109-2109	Decal, Triton 50" .....	1
22	109-2110	Decal, Triton 56" .....	1
23	109-1196	Decal, Ignition/PTO .....	1
24	103-4930	Decal, Choke .....	1
25	109-0872	Decal, Baffle Adjustment .....	1
26	98-5954	Decal, Missing Cover.....	2
27	108-5995	Decal, Top Console .....	1
	103-4581	Decal Kit	

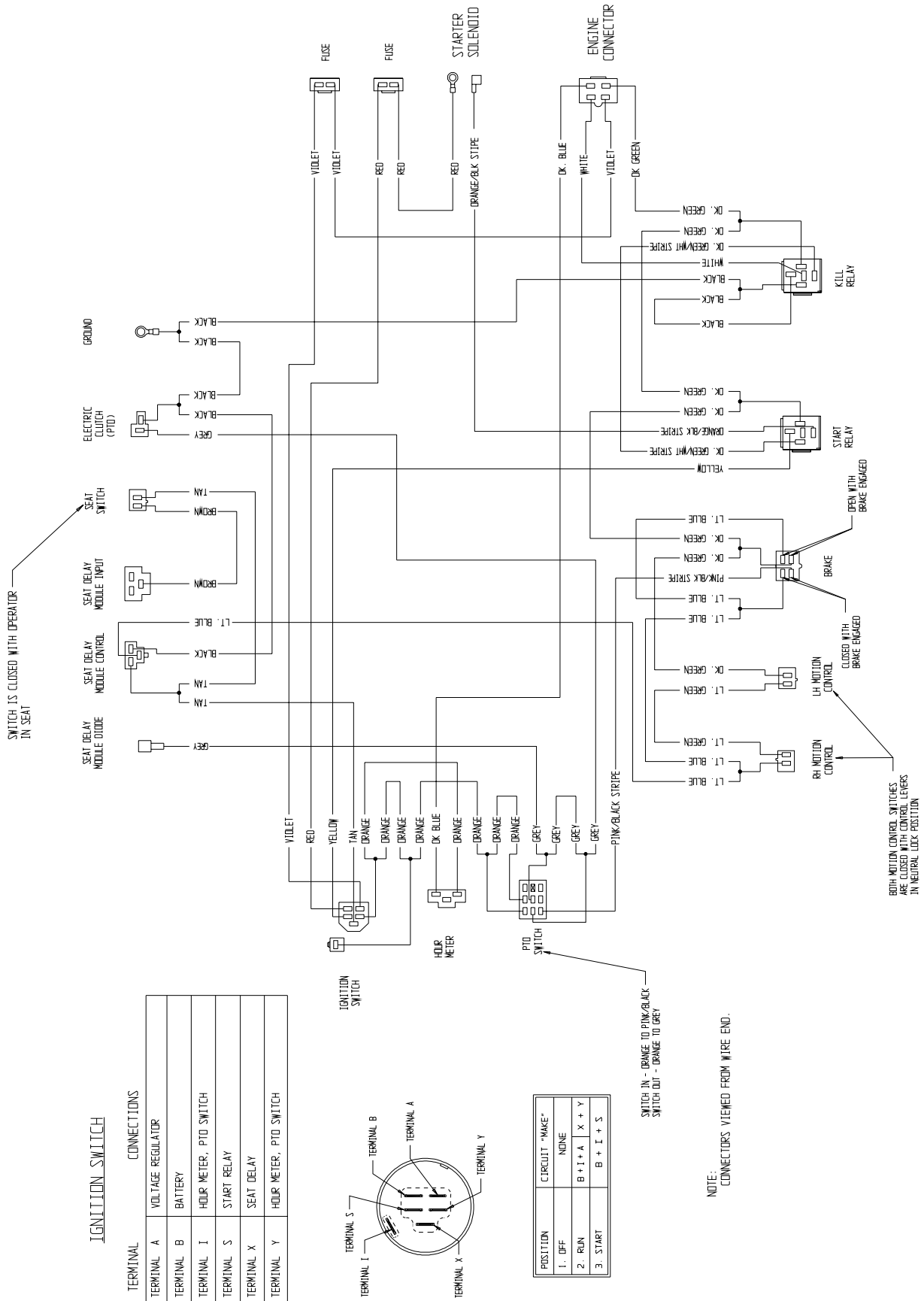


# KAWASAKI ELECTRICAL DIAGRAM

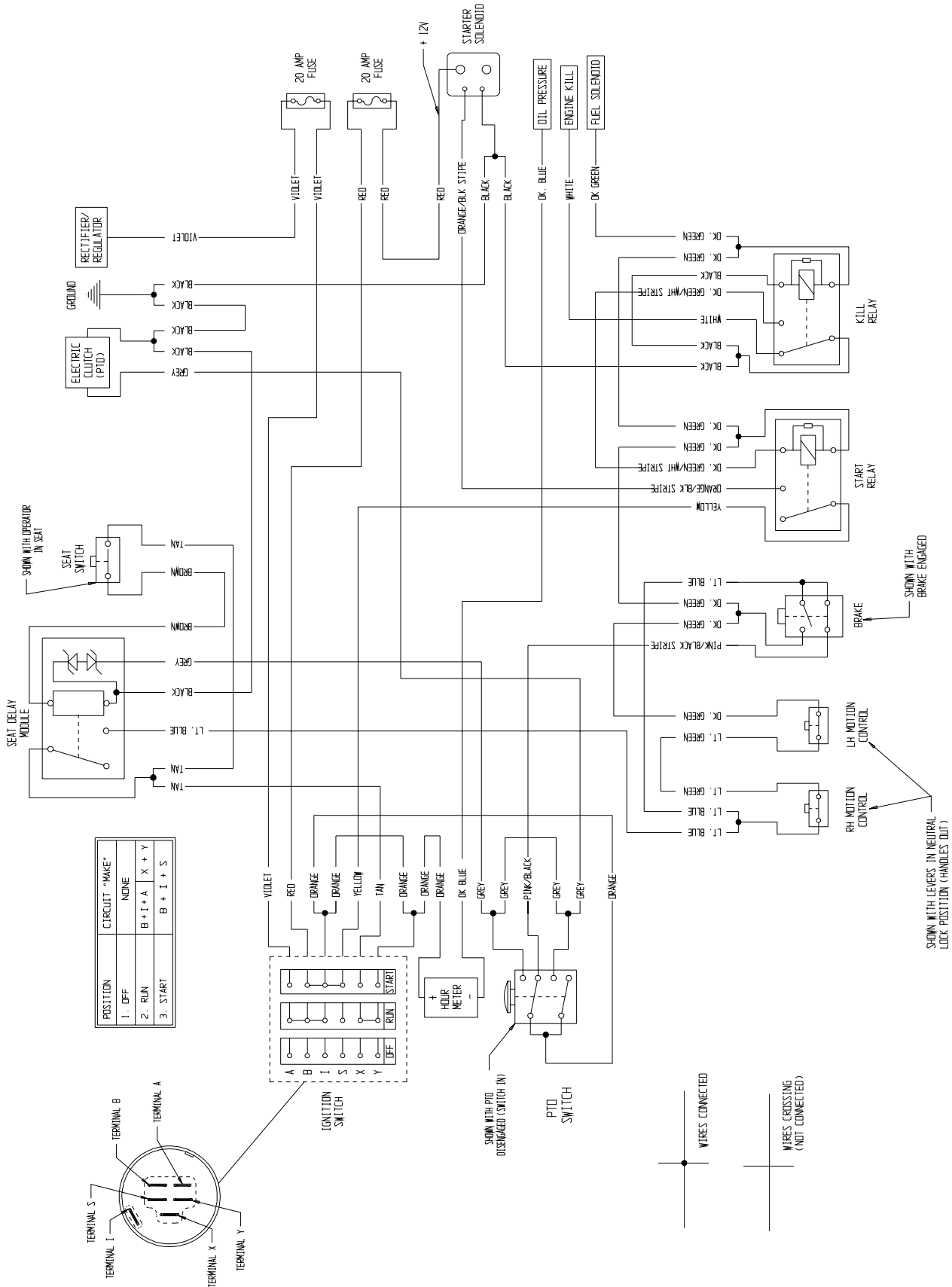




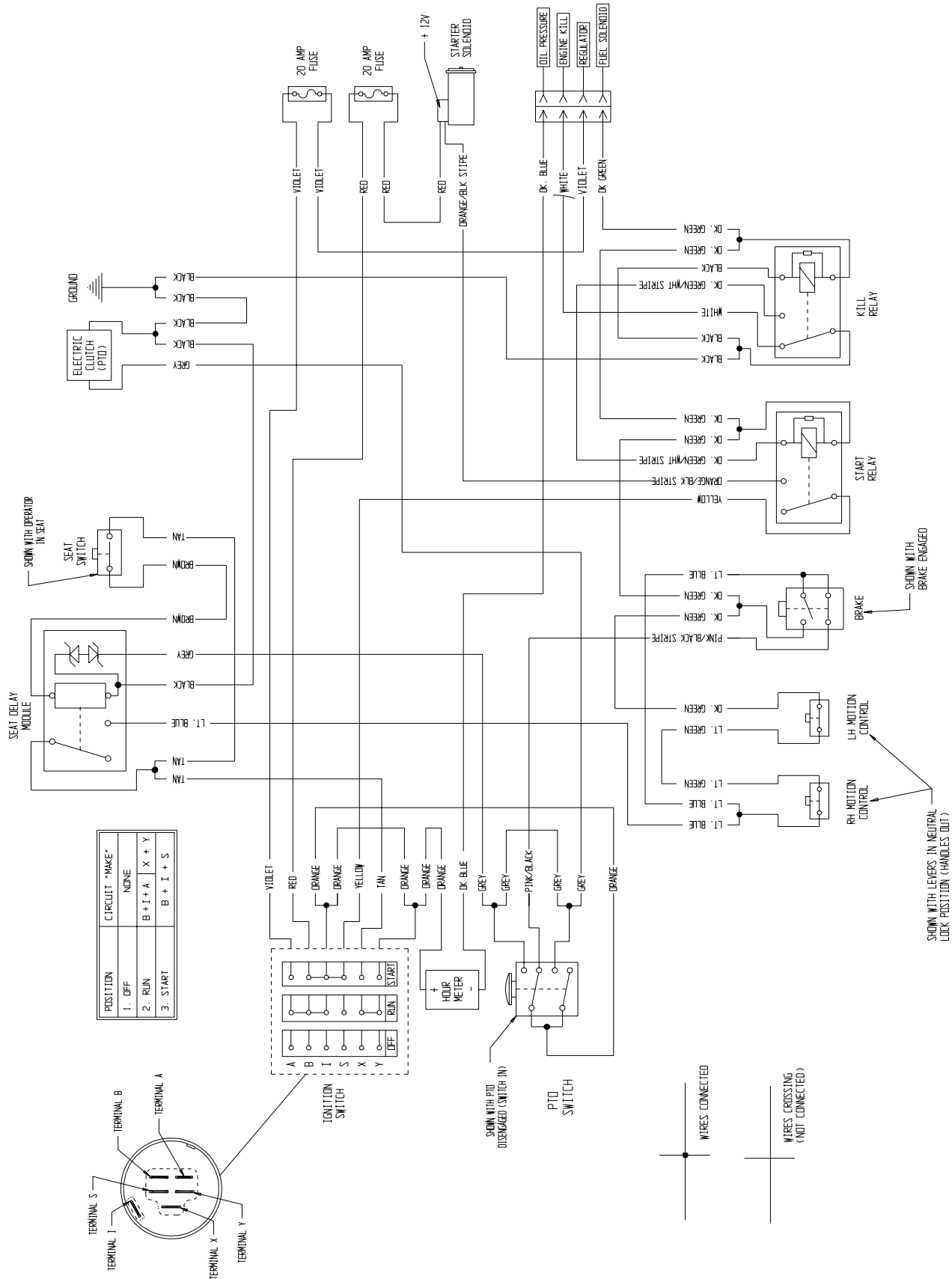
# KOHLER ELECTRICAL DIAGRAM



## KAWASAKI ELECTRICAL LOGIC SCHEMATIC



# KOHLER ELECTRICAL LOGIC SCHEMATIC



## **SEE EXMARK'S COMPLETE LINE OF ACCESSORIES**

### **RIDING ACCESSORIES**

CUSTOM RIDE SEAT SUSPENSION SYSTEM  
DECK LIFT ASSIST KIT  
HITCH KIT  
LIGHT KIT  
MICRO-MULCH SYSTEM  
ROLL OVER PROTECTION SYSTEM (ROPS)  
SNOW BLADE  
SUN SHADE  
TRASH CONTAINER  
TURF STRIPER  
ULTRA VAC COLLECTION SYSTEM  
ULTRA VAC QUICK DISPOSAL SYSTEM

### **WALK BEHIND ACCESSORIES**

GRASS CATCHER  
MICRO-MULCH SYSTEM  
STEERABLE SULKY  
SULKY HITCH KIT  
TURF STRIPER  
STANDON

Check us out on the Web:  
**[www.exmark.com](http://www.exmark.com)**

© 1997-2006 EXMARK MFG. CO. INC.  
INDUSTRIAL PARK BOX 808  
BEATRICE, NE 68310

PART NO. 109-5951 Rev. A  
(402) 223-6300  
FAX (402) 223-5489

ALL RIGHTS RESERVED

PRINTED IN U.S.A.

