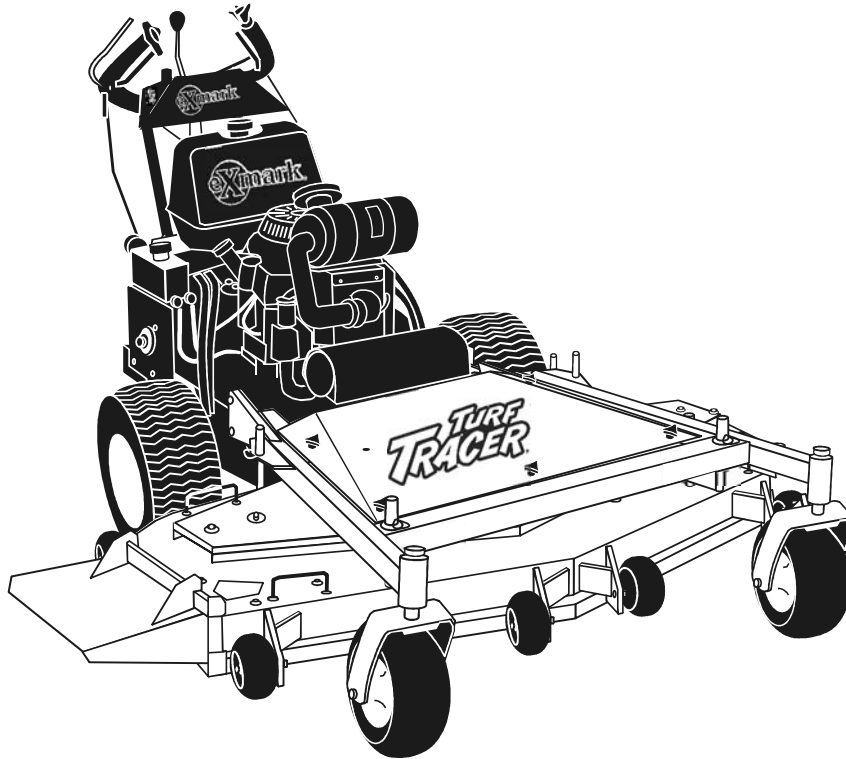


For Serial Nos.
600,000 & Higher



PARTS MANUAL

TURF TRACER®

CONGRATULATIONS on the purchase of your new Exmark mower. This product has been carefully designed and manufactured to give you a maximum amount of dependability and years of trouble-free operation. If additional information is needed, or should you require trained mechanic service, contact your authorized Exmark equipment dealer or distributor. If you need to order replacement parts from your dealer, always give the model number and serial number of your mower as well as the part number, description and quantity of the part needed.

The Serial No. plate located on top of the engine frame on the left hand side of the machine just inside the left wheel. For Ease of ordering and reference, we suggest that you record the information requested in the following identification table.

Place Model No. and Serial No. Label Here
(Included in Literature Pack)
or Fill in Below

Model No. _____

Serial No. _____

Engine Model No. and Spec. No. (Code) _____

Engine Serial No. (E/No) _____

Date Purchased _____

EXMARK PARTS PLUS® PROGRAM

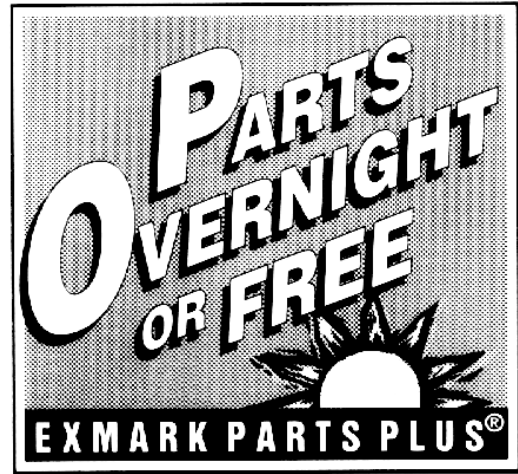
EFFECTIVE DATE: September 1, 1995

Program

If your Exmark dealer does not have the Exmark part in stock, Exmark will get the parts to the dealer the next business day or the part will be FREE* Guaranteed!!

How the Program Works

1. If dealer does not have part in stock for a "down" unit at the time of request by customer, the dealer contacts his distributor by 1:00 p.m., local time, and requests Exmark Parts Plus® shipment of six (6) line items or less.
2. Distributor ships part(s) to dealer or customer, as requested by dealer, same day, overnight UPS Distributor bills dealer for part and freight charges where applicable.
3. If distributor does not have the part(s) in stock to satisfy Exmark Parts Plus® order, he contacts Exmark by 3:00 p.m., central time, with an Exmark Parts Plus® order of six (6) line items or less.
4. If order is received by 3:00 p.m. central time, Exmark ships part(s) direct to dealer or customer, as requested by distributor, same day, overnight UPS Exmark bills the distributor for parts and shipping charges, where applicable.
5. The customer pays for the part and freight if it is shipped under the Exmark Parts Plus® and if it arrives in accordance to the program.
6. Who pays for the part and freight if it fails to arrive overnight in accordance to the program?
 - A. Under any circumstance the customer does not pay.
 - B. If the part does not arrive overnight due to:
 1. The dealer not submitting the Exmark Parts Plus® order to his Exmark distributor by 1:00 p.m., the dealer pays for the part and freight.
 2. The Distributor being unable to ship the part the same day or not submitting the Exmark Parts Plus® order to Exmark by 3:00 p.m., central time, the Distributor pays for the part and freight.
 3. Exmark being unable to ship the part and the Exmark parts order is received by 3:00 p.m., central time, Exmark pays for the part and freight.
 4. If the part does not arrive overnight due to the shipper (UPS), the shipper pays for the freight and Exmark pays for the part.



The following restrictions apply -- The Exmark Parts Plus® Program is available only through participating Exmark Dealers and applies only to orders submitted on this program Monday through Thursday. Parts Plus service is available only in the 48 contiguous United States. UPS has initiated a Saturday delivery program to many areas of the continental United States and can be requested for an overnight shipment on Friday to be delivered Saturday. The next day air charge, plus the Saturday delivery fee will be the responsibility of the purchaser. Exmark Mfg. will assume no responsibility for Saturday delivery shipments. To qualify, all Exmark Parts Plus® orders must be received by Exmark by 3:00 p.m., central time. Orders must be six (6) line items or less. Exclusions from the Exmark Parts Plus® Program are: Any wholegood or accessory in its entirety, engines and engine replacement parts, 5-speed Peerless transmissions and 5-speed transaxles, hydraulic or hydrostatic wheel motors, cutter decks and engine decks or any item exceeding United Parcel Service size and weight restrictions.

Due to UPS restrictions, aerosol spray paint is considered a hazardous material and cannot be shipped via UPS next day or Second Day Air.

Exmark Manufacturing stocks a limited supply of parts for transaxles, pumps and wheel motors. These parts can be ordered for Next Day Air shipment but will not be guaranteed per the Parts Plus Program.



**READ OPERATOR'S MANUAL BEFORE
OPERATING OR SERVICING EXMARK EQUIPMENT.**

TABLE OF CONTENTS

<u>Description</u>	<u>Page</u>
Decals	10
ECS Upper Handles & Controls	3-4
Electrical Diagram.....	11
Electrical Group	9
Electrical Logic Schematic	12
Engine Deck Group	5-7
Hydraulics Group	8

ECS UPPER HANDLES AND CONTROLS

Item	Part No.	Description	Qty.
1	322-9	Screw, 5/16-18 x 1 3/4	2
2	1-806003	Hairpin Cotter.....	2
3+	103-1566-03	Lever Weldmt OPC LH.....	1
4◆	1-803322	Setscrew, 5/16-24 x 5/16.....	2
5	1-303365	Bushing, Nylon.....	2
6	103-0769-03	Lever Axle Weldmt, OPC	1
7	1-303363	Spring, OPC Extension	1
8+	103-1567-03	Lever Weldmt, OPC RH.....	1
9	1-807513	Bolt, #10-24 x 1/2 Carriage	2
10	1-513592	Knob, Red Throttle.....	1
11	1-633696	Cable, Throttle	1
12	3296-2	Nut, #10-24 Nyloc.....	2
13	103-1537-03	Handle Weldmt, Upper ECS.....	1
14	103-0815	Grip, Handle Bar	2
15	1-413152	Bearing	4
16	103-2514	Lever, Drive LH.....	1
17	103-0027	Bushing, Drive Lever.....	2
18	321-14	Screw, 1/4-20 x 2 3/4	2
19	32128-33	Nut, 1/4-20 Whizlock.....	12
20	103-0464	Pin, 1/8 x 1/2 Spring.....	2
21	3256-22	Washer 1/4 SAE Flat.....	10
22	1-303435	Washer, 1/4 Disc Spring.....	6
23	103-1371	Thumb Latch Asm RH(Shown).....	1
	103-1372	Thumb Latch Asm LH (Not Shown).....	1
24◆	103-0235	Screw, 1/4-20 x 1-1/8 W/Nylon.....	2
25	103-2513	Lever, Drive RH	1

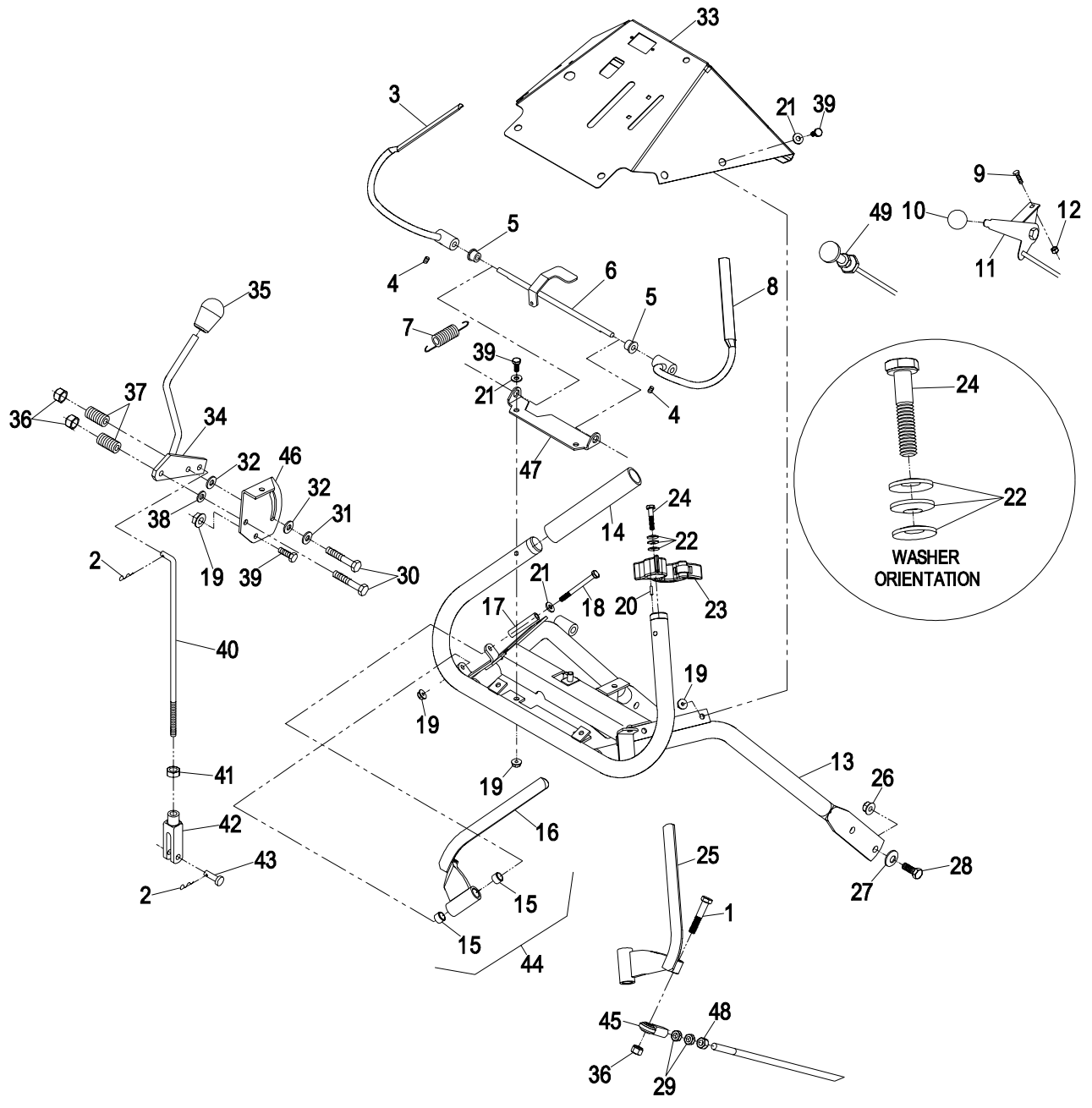
Item	Part No.	Description	Qty.
26	3290-357	Nut, 3/8-16 Whizlock.....	4
27	98-5975	Washer, 3/8 Disc Spring.....	4
28	323-6	Screw, 3/8-16 x 1	4
29	3220-3	Nut, Jam 3/8-24	4
30	322-10	Screw, 5/16-18 x 2.....	2
31	1-603716	Washer, Friction Disc.....	1
32	1-323244	Washer, Friction.....	2
33	103-1552	Console 103-1538-03 W/ Decals	1
34	103-0773	Speed Shift Weldmt	1
35	103-0423	Knob .38-16 Nyloc	1
36	3296-29	Nut, 5/16-18 Nyloc.....	4
37	1-323245	Spring, Compression	2
38	3256-23	Washer 5/16 SAE Flat	10
39	321-3	Screw, 1/4-20 x 5/8.....	1
40	1-413225	Rod, Speed Control	1
41	3220-2	Nut, 5/16-24 Jam	1
42	1-303105	Yoke	1
43	1-808280	Clevis Pin 5/16 x 1	1
44	103-2513	Asm, Drive Lever RH	1
	103-2514	Asm, Drive Lever LH.....	1
45	103-2463	Joint, .31 Ball End.....	2
46	103-0503	Bracket, Shifter Slide	1
47	103-0489-03	Bracket, OPC Axle.....	1
48	3219-3	Nut, Reg Hex 3/8-24	2
49	1-603336	Choke Control Push/Pull.....	1

Exmark black touch up spray paint – Gloss black.

◆ Use Pro-Lock nut type, (P/N. 1-840022, .5cc tube) on setscrew threads and thumb latch screw threads.

+ Use Pro-Lock retaining type, (P/N. 1-840023, .5cc tube) on inside of bore of OPC hub.

ECS UPPER HANDLES AND CONTROLS



ENGINE DECK GROUP

Item	Part No.	Description	Qty.
1	109-2581	Eng Deck 109-2579-01 W/ Decals	1
2*	92-6877	Valve, Oil Drain	1
3	106-7022	Hose, Oil Drain	1
4*	103-1966	Adapter, M20-2.5 x 3/8 NPT (KAW)	1
5	1-602997	Hub, 4 Bolt	2
	1-633926	Stud	8
6	103-1715	Tire And Wheel Assy.....	2
	103-2237	Tire Only 18 x 8.50.....	2
	103-2238	Wheel Only	2
7	242-50	Nut, Wheel	8
8	1-807019	Key, Woodruff 1" x 1/4"	2
9	1-806800	Pin, Cotter 9/64 x 1 1/2	2
10	32136-5	Nut, 3/4-16-2B Slotted Hex	2
11	1-613089	Anchor, Spring	2
12	1-413510	Clip, Loom 2.06 Dia.....	3
13	1-807259	Key, 1/4 x 1/4 x 1	1
14	103-2240	Belt, Deck Drive(52").....	1
	1-603306	Belt, Deck Drive(60").....	1
15	103-0662	Clutch W/Plastic Tie	1
16	1-633543-03	Strap, Clutch	1
17	1-323195-03	Standoff, Clutch	1
18	1-303287	Plastic Tie, Small	1
19	103-1167	Joint, .38x.38FE LH Ball End.....	2
20●	1-653035	Sheave, 4 1/4 O.D	1
21	1-413010	Sheave, Pump	2
22	1-807272	Key, 5mm Sq x 25mm	2
23▲	1-803050	Setscrew, 5/16-18 x 3/4.....	4
24	1-603843	Pulley, Idler	1
25	1-603496	Bushing, Idler.....	3
26◆	109-2578	Kit, Idler Arm W/Bearings	1
+	109-2575	Kit, Idler Arm	1
27	302-40	Zerk, 90° 1/4-28	1
28	1-603414	Spring, Extension.....	1
29	103-3506	Seal, Single Lip	1
30	302-19	Zerk, Grease 1/4-20	2
31	1-633102	Bearing, Flanged.....	2
32	1-613206	Rod, Control Arm	2
33	1-323245	Spring	1
34	1-603676	Swivel	2
35	1-413151	Knob, Tracking.....	1
36	103-4673-01	Support, Tank/Handle	1
37	103-1561-01	Arm, Control LH	1
38	103-1562-01	Arm, Control RH(Not Shown)	1
39	109-2584	Belt, Hyd Trans Drive ("A" Belt).....	1
40	1-603693	Spring, Extension.....	2
41	103-2234-01	Crank Weldment	1
42	1-603737	Bolt, Neutral Return.....	2
43	103-0265	Spring, Neutral Return	2
44	1-603735	Bushing, Flanged.....	2

Item	Part No.	Description	Qty.
45	1-303105	Yoke, Adjustable.....	2
46	322-3	Screw, 5/16-18 x 3/4	14
47	103-2421	Tube, Pump Link Spacer	2
48	3290-357	Nut, 3/8-16 Whizlock	6
49	32128-20	Nut, 5/16-18 Whizlock.....	28
50	322-38	Screw, 5/16-18 x 4 1/2.....	1
51	322-6	Screw, 5/16-18 x 1 1/4	1
52▲	3212-10	Screw, 7/16-20 x 2 1/2 (KOH)	1
	3212-12	Screw, 7/16-20 x 3 (KAW).....	1
53	1-603610	Washer, Spring Disc	2
54	1-633545	Spacer, Clutch Anchor	2
55	1-613235	Washer	4
56	3296-29	Nut, Nyloc 5/16-18	6
57	322-7	Screw, 5/16-18 x 1 1/2.....	4
58	1-303334	Washer, 5/16 Disc Spring	4
59	1-800016	Bolt, Tap 5/16-18 x 1 1/4.....	2
60▲	1-800805	Screw, 3/8-16 x 3 1/2 Gr8	1
61	3253-5	Washer, Lock 3/8 Heavy.....	1
62	3256-4	Washer	3
63	323-9	Screw, HH 3/8-16 x 1 3/4.....	1
64	1-806003	Hairpin, Cotter	2
65	1-808280	Clevis Pin.....	2
66	3256-23	Washer, 5/16	11
67	1-403180	Screw, 5/16-18 x 1-3/8 Special	2
68	1-603903	Spacer	1
69	3219-2	Nut 5/16-24 Regular.....	7
70	3220-2	Nut, 5/16-24 Jam	2
71	3256-2	Washer, 1/4	2
72	323-8	Screw, 3/8-16 x 1 1/2.....	4
73	322-6	Screw , 5/16-18 x 1-1/4.....	2
74	1-805005	Washer, Lock 5/16 Heavy	4
75▲	1-809056	Screw,3/8 x 3/8 Sckt Hd Shld.....	2
76	3256-24	Washer, 3/8 SAE Flat	3
77	3234-12	Screw, Whizlock 3/8-16 x 3/4	8
78	1-633630	Grommet	2
79	103-1576	Rod, Drive Lever.....	2
80▲	1-803022	Setscrew, 5/16-18 x 5/8	2
81	3272-5	Cotter Pin.....	2
82	1-303335	Plastic Tie (Large).....	1
83	103-2224	Shield, Drag.....	1
84	3256-3	Washer, Flat 5/16 Std	3
85	3220-16	Nut, Jam 3/8-24 LH.....	2
86	3218-2	Nut, Jam 5/16-18	2
87	103-5677	Spacer	1
88	106-7159	O-ring	2
89	103-3505	Seal, Double, Lip	1
90	32120-10	Ring, Retaining	2
91	103-3504	Bearing, Spherical	2
92	1-633068	Plate	1

Exmark black touch up spray paint – Gloss black.

Exmark red touch up paint (spray paint - P/N 1-850337 - .6 oz liquid bottle - P/N 103-9140).

* Use Teflon Pipe Sealant or equivalent on threads.

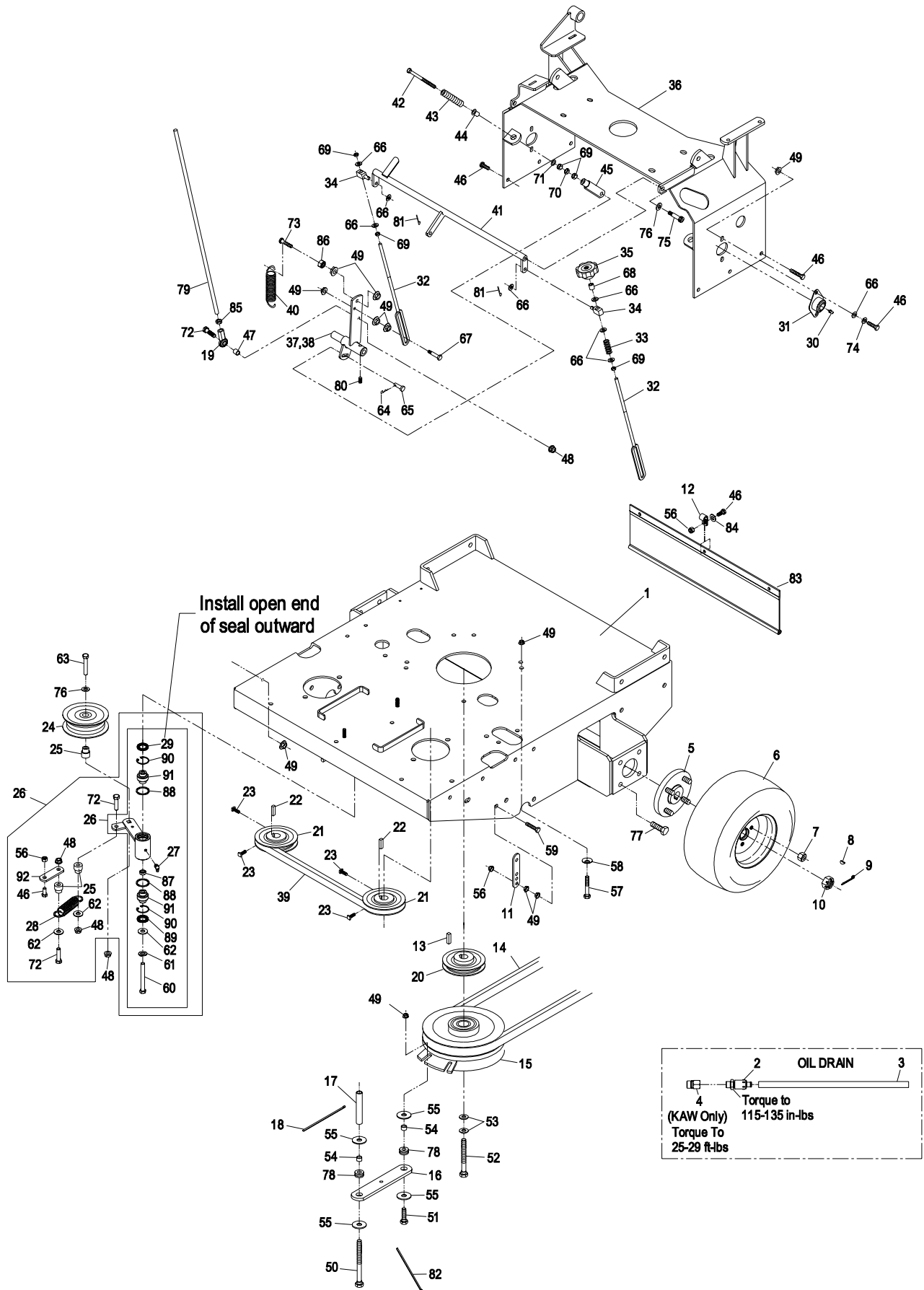
● Install sheave with long end of hub up.

▲ Use Pro-Lock, nut type (P/N 1-840022, .5cc tube) on setscrew threads, shoulder bolt threads, clutch retaining bolt, and pump drive idler bolt.

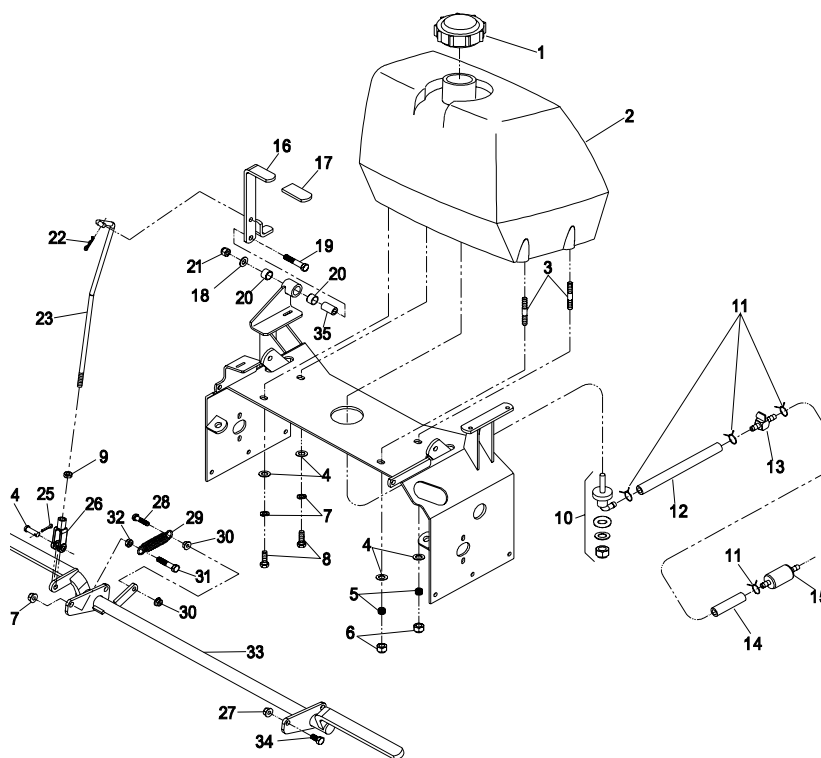
◆ 109-2578 kit contains items shown in small box and services units with S/N 614,461 and higher.

+

ENGINE DECK GROUP



ENGINE DECK GROUP (cont.)



Item	Part No.	Description	Qty.
1	109-0346	Cap, Gas.....	1
2	103-2893	Tank, Fuel W/Fitting	1
3◆	1-633023	Stud, Fuel Tank.....	2
4	3256-23	Washer, Flat 5/16 Std	4
5	1-633349	Spring, Fuel Tank.....	2
6	3296-47	Nut, Nyloc 5/16-18	2
7	1-805005	Washer, 5/16 Lock	2
8	322-3	Screw, 5/16-18 x 3/4	2
9	3220-3	Nut, 3/8-24 Jam	1
10+	103-2605	Fitting, Fuel Bulkhd W/ Screen	1
11	1-303077	Clamp, Fuel Line.....	4
12	109-0303	Hose, Fuel 7.0 (KAW)	1
	109-0293	Hose, Fuel 8.5 (KOH).....	1
13	1-603770	Valve, Fuel.....	1
14	109-0304	Hose, Fuel 2.5 (KOH).....	1
	109-0293	Hose, Fuel 8.5 (KAW)	1
15	Kohler	Part No. 2405010 Fuel Filter	1
	Kawasaki	Part No. 49019-7001 Fuel Filter	1
16	103-3423	Lever, Park Brake (103-2208-03) W/Decal & Grip	1

Item	Part No.	Description	Qty.
17	1-303020	Grip, Lever.....	1
18	3256-24	Washer, 3/8 SAE Flat	1
19	323-10	Screw, 3/8-16 x 2.....	1
20	1-413347	Sleeve, Bushing.....	2
21	3296-39	Nut, 3/8-16 Nyloc	1
22	1-806003	Hairpin, Cotter	1
23	103-1951	Linkage, Park Brake.....	1
24	1-808285	Pin, Clevis 3/8 x 1 1/8	1
25	3272-10	Pin, Cotter 1/8 x 3/4	1
26	1-633131	Yoke, Brake Linkage.....	1
27	3290-357	Nut, 3/8-16 Whizlock.....	4
28	322-6	Screw, 5/16-18 x 1 1/4	1
29	1-323161	Spring.....	1
30	32128-20	Nut, 5/16-18 Whizlock.....	2
31	323-9	Screw, 3/8-16 x 1 3/4.....	1
32	3218-3	Nut, Jam 3/8-16.....	1
33	103-2205-03	Brake Weldmt.....	1
34	323-4	Screw, 3/8-16 x 3/4.....	3
35	1-413344	Bushing, Pivot.....	1

Exmark black touch up spray paint – Gloss black.

✦ Use Pro-lock, nut type (P/N 1-840022, .5ml tube) on fuel fitting threads.

◆ Use Pro-lock, retaining type (P/N 1-840023, .5cc tube) on stud threads going into the tank.

Kohler Replacement Parts List

(Refer to Engine Owner's Manual)

<u>Description</u>	<u>Kohler P/N</u>
Air Filter Element – Outer	2508301-S
Air Filter Element – Inner	2508304-S

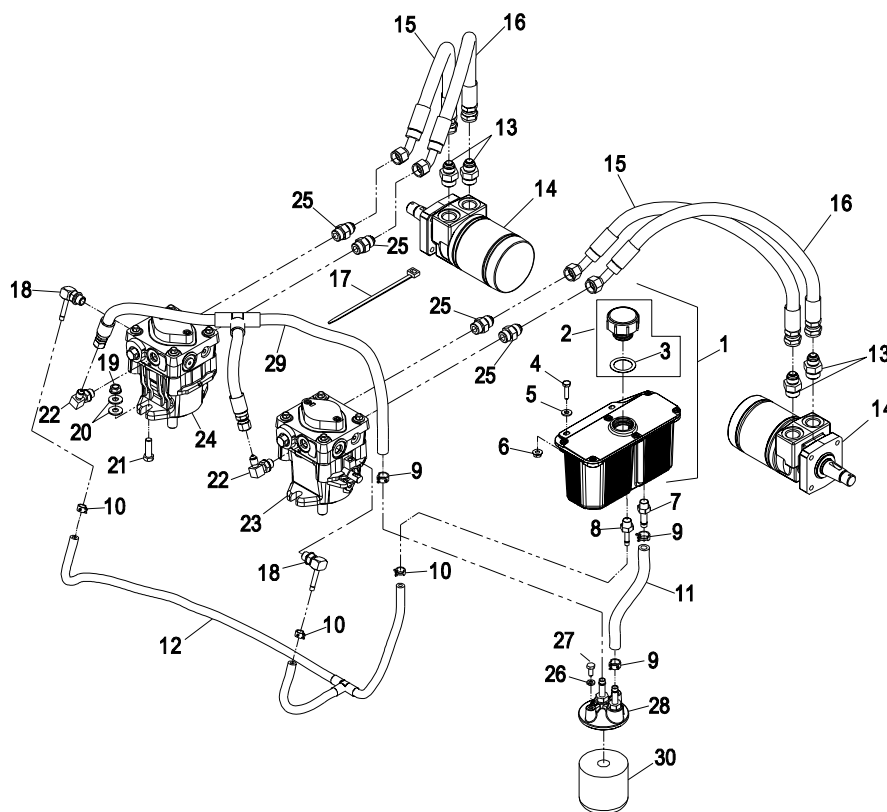
Description

Kawasaki P/N

Air Filter Element Kit	11010-7004
(Inner & Outer)	

Kawasaki Replacement Parts List

HYDRAULICS GROUP



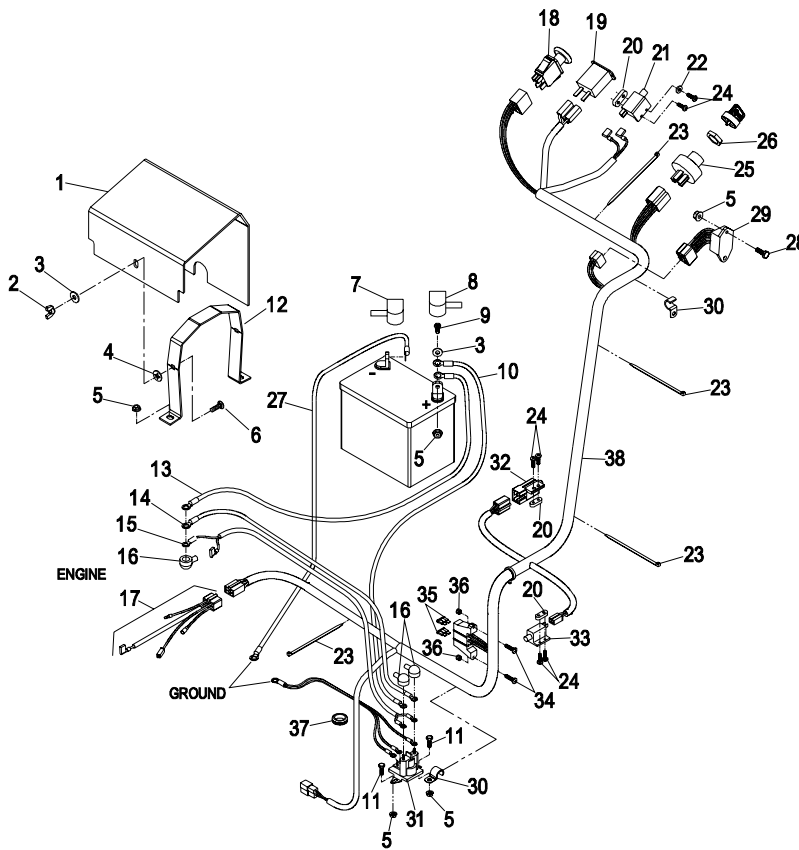
Item	Part No.	Description	Qty.
1	103-1947	Asm, Hydraulic Reservoir.....	1
2	103-7615	Asm, Cap W/Gasket.....	1
3	103-1949	Gasket, Reservoir Cap.....	1
4	321-6	Screw, 1/4-20 x 1.....	2
5	3256-22	Washer, 1/4 SAE Flat.....	2
6	32128-33	Nut, Whizlock 1/4-20.....	2
7	103-1912	Adapter, Straight.....	1
	1-603921	O-Ring.....	1
8	103-1801	Adapter, Straight.....	1
	1-603921	O-Ring.....	1
9	103-1988	Clamp, Hose (11/16).....	3
10	103-1716	Clamp, Hose (17/32).....	3
11	103-2958	Hose, Charge.....	1
12	103-4607	Asm, Case Drain Hose.....	1
13	1-603991	Fitting, Straight Connector.....	4
	1-603919	Boss O-Ring.....	1
	1-603992	Flare O-Ring.....	1
14	1-603718	Motor, Wheel.....	2
	1-000119	Kit, Seal.....	1
	1-000138	Kit, Bearing.....	1
15	103-4609	Hose, Hydro.....	2
16	103-4610	Hose, Hydro.....	2
17	1-303335	Tie, Cable (Large).....	1
18	103-1799	Elbow, 90°.....	2
	1-603921	O-Ring.....	1
19	3290-357	Nut, Whizlock 3/8-16.....	4

Item	Part No.	Description	Qty.
20	3256-3	Washer, 5/16 Std.....	8
21	323-7	Screw, 3/8-16 x 1-1/4.....	4
22	103-1802	Elbow, 90°.....	2
	1-603921	O-Ring.....	1
23	103-4611	Pump, Hydro.....	1
	103-2664	Kit, Input Shaft 10A.....	1
	94-6922	Kit, Thrust Bearing 10A.....	1
	103-2666	Kit, Cylinder Block 10A.....	1
	105-6184	Kit, Overhaul Seal.....	1
24	106-5490	Pump, Hydro.....	1
	103-2664	Kit, Input Shaft 10A.....	1
	94-6922	Kit, Thrust Bearing 10A.....	1
	103-2666	Kit, Cylinder Block 10A.....	1
	105-6184	Kit, Overhaul Seal.....	1
25	1-603990	Adapter, Straight Thread.....	4
	1-603920	Boss O-Ring.....	1
	1-603992	Flare O-Ring.....	1
26	1-805004	Washer, 1/4 Lock.....	2
27	321-3	Screw, 1/4-20 x 5/8.....	2
28	103-2889	Asm, Filter Head.....	1
	103-1912	Adapter, Straight.....	2
	1-603921	O-Ring.....	1
29	103-4608	Asm, Charge Hose.....	1
30	1-513211	Element, Oil Filter.....	1
▲	1-523541	Element, Oil Filter(Winter).....	1

Exmark black touch up spray paint – Gloss black.

▲ Use only for operation below 32°F (0°C).

ELECTRICAL GROUP



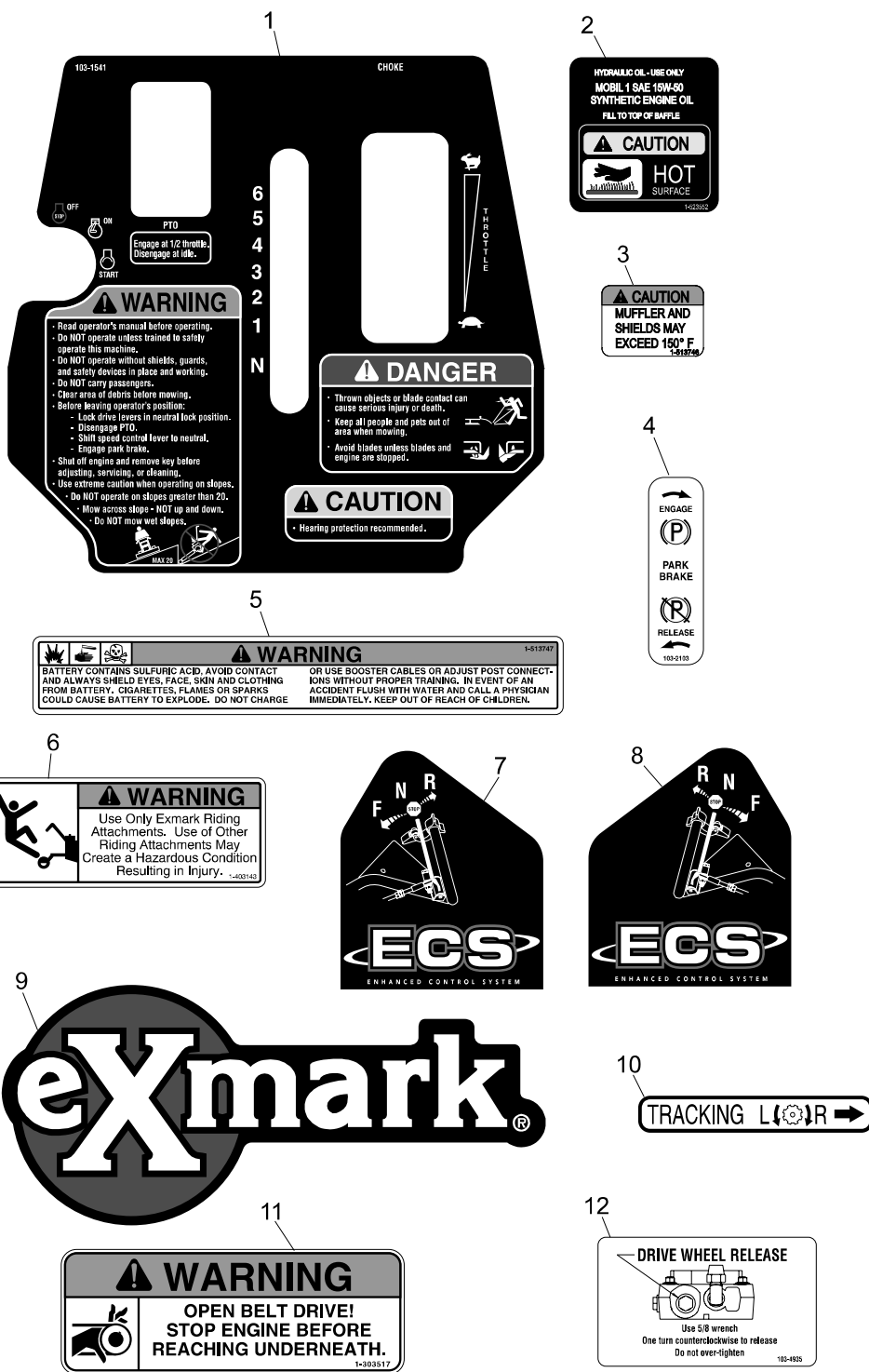
Item	Part No.	Description	Qty.
1	103-3424	Cover, Battery (1-603105) W/Decal	1
2	1-803038	Wingnut, 1/4-20	2
3	3256-2	Washer, 1/4 Flat	4
4	1-803037	Nut, Retaining 1/4-20.....	2
5	32128-33	Nut, Whizlock 1/4-20.....	7
6	1-807512	Bolt, Carriage 1/4-20 x 3/4.....	2
7	1-543390	Insulator, Battery -	1
8	1-543391	Insulator, Battery +	1
9	321-4	Screw, 1/4-20 x 3/4.....	2
10▲	1-513053	Cable, Battery To Solenoid (+).....	1
11	321-2	Screw, 1/4-20 x 1/2.....	2
12	1-603814-03	Strap, Battery Holddown	1
13*	1-523281	Cable, Battery To Starter.....	1
14▲	1-603488	Cable, Solenoid To Starter (+)	1
15*	103-1126	Harness, Solenoid To Starter.....	1
16	1-543393	Insulator, Solenoid.....	3
17▲	1-613262	Harness, Wiring.....	1
18	103-5221	Switch, PTO	1
19	1-513374	Meter, Engine Hour	1
20	1-633181	Plate, Tapped	3

Item	Part No.	Description	Qty.
21	1-513051	Switch, N.O.	1
22	3256-14	Washer, Flat #10	1
23	1-303335	Plastic Tie	4
24	3290-500	Screw, #10-24 x 5/8	6
25	1-543070	Switch, Ignition W/Keys	1
	1-603511	Key, Ignition	1
	103-2106	Key, Exmark Logo	1
26	103-0498	Nut, Ignition.....	1
27	1-543767	Cable, Ground.....	1
28	321-3	Screw, 1/4-20 x 5/8	1
29	1-613198	Module, Safety Interlock.....	1
30	103-1193	Clip, Loom Half.....	2
31	1-513075	Switch, 12V Solenoid	1
32	1-633111	Switch, N.O./N.C.	1
33	1-513152	Switch, N.C.	1
34	1-803075	Screw, #10-24 x 3/4	2
35	1-816001	Fuse, Blade 20 Amp.....	2
36	3296-2	Nut, Nyloc #10-24.....	2
37	1-543286	Grommet.....	1
38	109-2175	Harness, Wiring.....	1

Exmark black touch up spray paint – Gloss black.
Apply dielectric grease to all electrical connectors.

- * Kohler units only.
- ▲ Kawasaki units only.

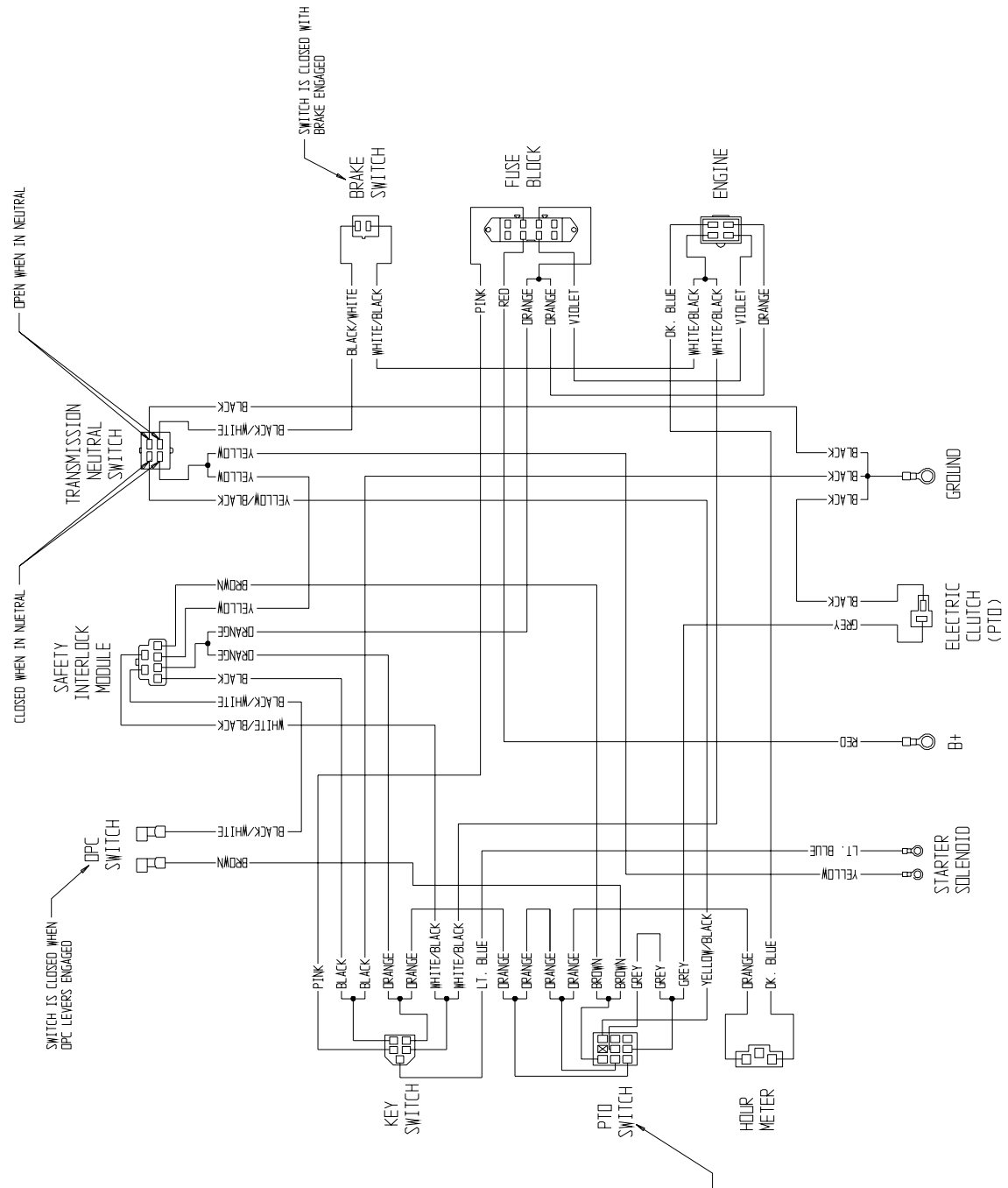
DECALS



Item	Part No.	Description	Qty.
1	103-1541	Decal, Console ECS.....	1
2	1-523552	Decal, Hydraulic Tank	1
3	1-513746	Decal, Muffler	1
4	103-2432	Decal, Park Brake.....	1
5	1-513747	Decal, Battery	1
6	1-403143	Decal, Sulky Warning	1
7	103-2242	Decal, LH ECS Instruction.....	1

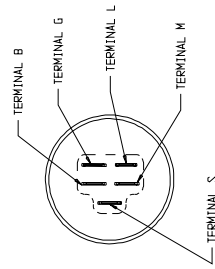
Item	Part No.	Description	Qty.
8	103-2243	Decal, RH ECS Instruction	1
9	103-2882	Decal, Exmark logo	1
10	1-413214	Decal, Tracking.	1
11	1-303517	Decal, Belt Drive.....	1
12	103-4935	Decal, Drive Wheel Release	1
	103-5828	Kit, Decal Complete	

ELECTRICAL DIAGRAM



IGNITION SWITCH

TERMINAL	CONNECTIONS
TERMINAL L	PTO, HOUR METER, ENGINE, SAFETY MODULE
TERMINAL G	GROUND (-)
TERMINAL B	BATTERY (+)
TERMINAL S	STARTER SOLENOID
TERMINAL M	ENGINE KILL

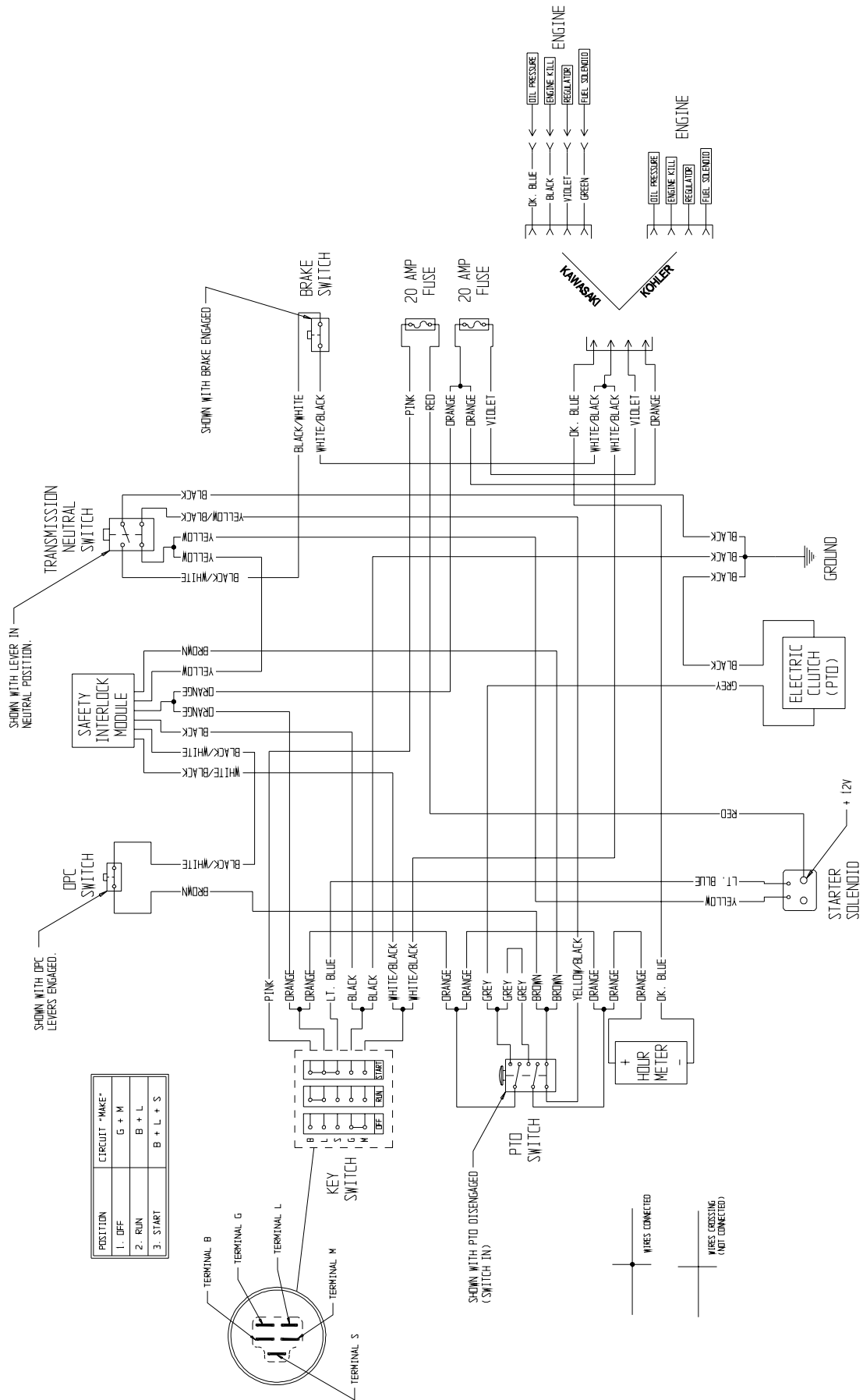


POSITION	CIRCUIT "MAKE"
1. OFF	G + M
2. RUN	B + L
3. START	B + L + S

SWITCH IN - BROWN TO YELLOW/BLACK
SWITCH OUT - ORANGE TO GREY

NOTES:
CONNECTORS SHOWN FROM WIRE END.

ELECTRICAL LOGIC SCHEMATIC



NOTES

SEE EXMARK'S COMPLETE LINE OF ACCESSORIES

RIDING ACCESSORIES

CUSTOM RIDE SEAT SUSPENSION SYSTEM
DECK LIFT ASSIST KIT
HITCH KIT
LIGHT KIT
MICRO-MULCH SYSTEM
ROLL OVER PROTECTION SYSTEM (ROPS)
SNOW BLADE
SUN SHADE
TRASH CONTAINER
TURF STRIPER
ULTRA VAC COLLECTION SYSTEM
ULTRA VAC QUICK DISPOSAL SYSTEM

WALK BEHIND ACCESSORIES

GRASS CATCHER
MICRO-MULCH SYSTEM
STEERABLE SULKY
SULKY HITCH KIT
TURF STRIPER
STANDON

Check us out on the Web:
www.exmark.com

© 1997-2006 EXMARK MFG. CO. INC.
INDUSTRIAL PARK BOX 808
BEATRICE, NE 68310

PART NO. 109-4816 Rev. A
(402) 223-6300
FAX (402) 223-5489

ALL RIGHTS RESERVED

PRINTED IN U.S.A.

