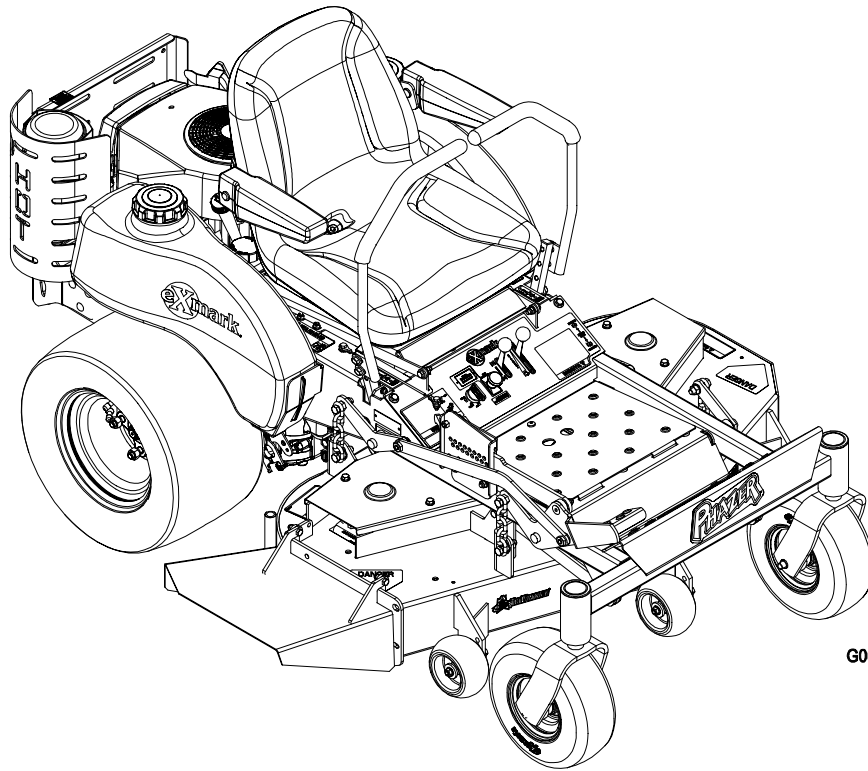


For Serial Nos.
600,000 & Higher



G0661

PARTS MANUAL

PHAZERTM

CONGRATULATIONS on the purchase of your new Exmark mower. This product has been carefully designed and manufactured to give you a maximum amount of dependability and years of trouble-free operation. If additional information is needed, or should you require trained mechanic service, contact your authorized Exmark equipment dealer or distributor. If you need to order replacement parts from your dealer, always give the model number and serial number of your mower as well as the part number, description and quantity of the part needed.

The Serial No. plate is located on the right side of the console. For ease of ordering and reference, we suggest that you record the information requested in the following identification table.

Place Model No. and Serial No. Label Here
(Included in Literature Pack)
or Fill in Below

Model No. _____

Serial No. _____

Engine Model No. and Spec. No. (Code) _____

Engine Serial No. (E/No) _____

Date Purchased _____

Part No. 109-4355 Rev. A

EXMARK PARTS PLUS® PROGRAM

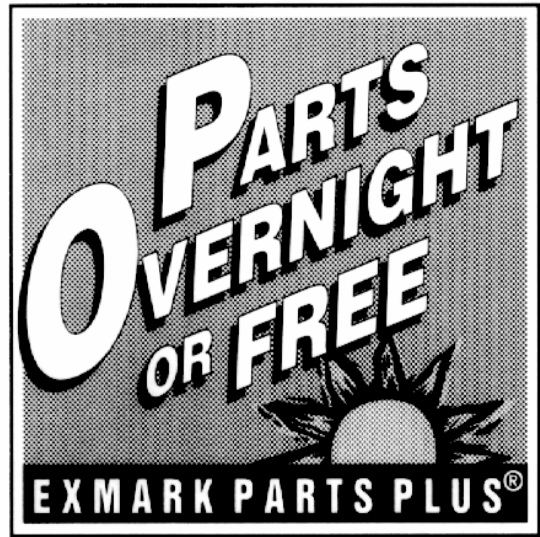
EFFECTIVE DATE: September 1, 1995

Program

If your Exmark dealer does not have the Exmark part in stock, Exmark will get the parts to the dealer the next business day or the part will be FREE* Guaranteed!!

How the Program Works

1. If dealer does not have part in stock for a "down" unit at the time of request by customer, the dealer contacts his distributor by 1:00 p.m., local time, and requests Exmark Parts Plus® shipment of six (6) line items or less.
2. Distributor ships part(s) to dealer or customer, as requested by dealer, same day, overnight UPS. Distributor bills dealer for part and freight charges where applicable.
3. If distributor does not have the part(s) in stock to satisfy Exmark Parts Plus® order, he contacts Exmark by 3:00 p.m., central time, with an Exmark Parts Plus® order of six (6) line items or less.
4. If order is received by 3:00 p.m. central time, Exmark ships part(s) direct to dealer or customer, as requested by distributor, same day, overnight UPS. Exmark bills the distributor for parts and shipping charges, where applicable.
5. The customer pays for the part and freight if it is shipped under the Exmark Parts Plus® and if it arrives in accordance to the program.
6. Who pays for the part and freight if it fails to arrive overnight in accordance to the program?
 - A. Under any circumstance the customer does not pay.
 - B. If the part does not arrive overnight due to:
 1. The dealer not submitting the Exmark Parts Plus® order to his Exmark distributor by 1:00 p.m., the dealer pays for the part and freight.
 2. The Distributor being unable to ship the part the same day or not submitting the Exmark Parts Plus® order to Exmark by 3:00 p.m., central time, the Distributor pays for the part and freight.
 3. Exmark being unable to ship the part and the Exmark parts order is received by 3:00 p.m., central time, Exmark pays for the part and freight.
 4. If the part does not arrive overnight due to the shipper (UPS), the shipper pays for the freight and Exmark pays for the part.



The following restrictions apply -- The Exmark Parts Plus® Program is available only through participating Exmark Dealers and applies only to orders submitted on this program Monday through Thursday. Parts Plus service is available only in the contiguous 48 United States. UPS has initiated a Saturday delivery program to many areas of the continental United States and can be requested for an overnight shipment on Friday to be delivered Saturday. The next day air charge, plus the Saturday delivery fee will be the responsibility of the purchaser. Exmark Mfg. will assume no responsibility for Saturday delivery shipments. To qualify, all Exmark Parts Plus® orders must be received by Exmark by 3:00 p.m., central time. Orders must be six (6) line items or less. Exclusions from the Exmark Parts Plus® Program are: Any wholehood or accessory in its entirety, engines and engine replacement parts, 5-speed Peerless transmissions and 5-speed transaxles, hydraulic or hydrostatic wheel motors, cutter decks and engine decks or any item exceeding United Parcel Service size and weight restrictions.

Due to UPS restrictions, aerosol spray paint is considered a hazardous material and cannot be shipped via UPS next day or Second Day Air.

Exmark Manufacturing stocks a limited supply of parts for transaxles, pumps and wheel motors. These parts can be ordered for Next Day Air shipment but will not be guaranteed per the Parts Plus Program.

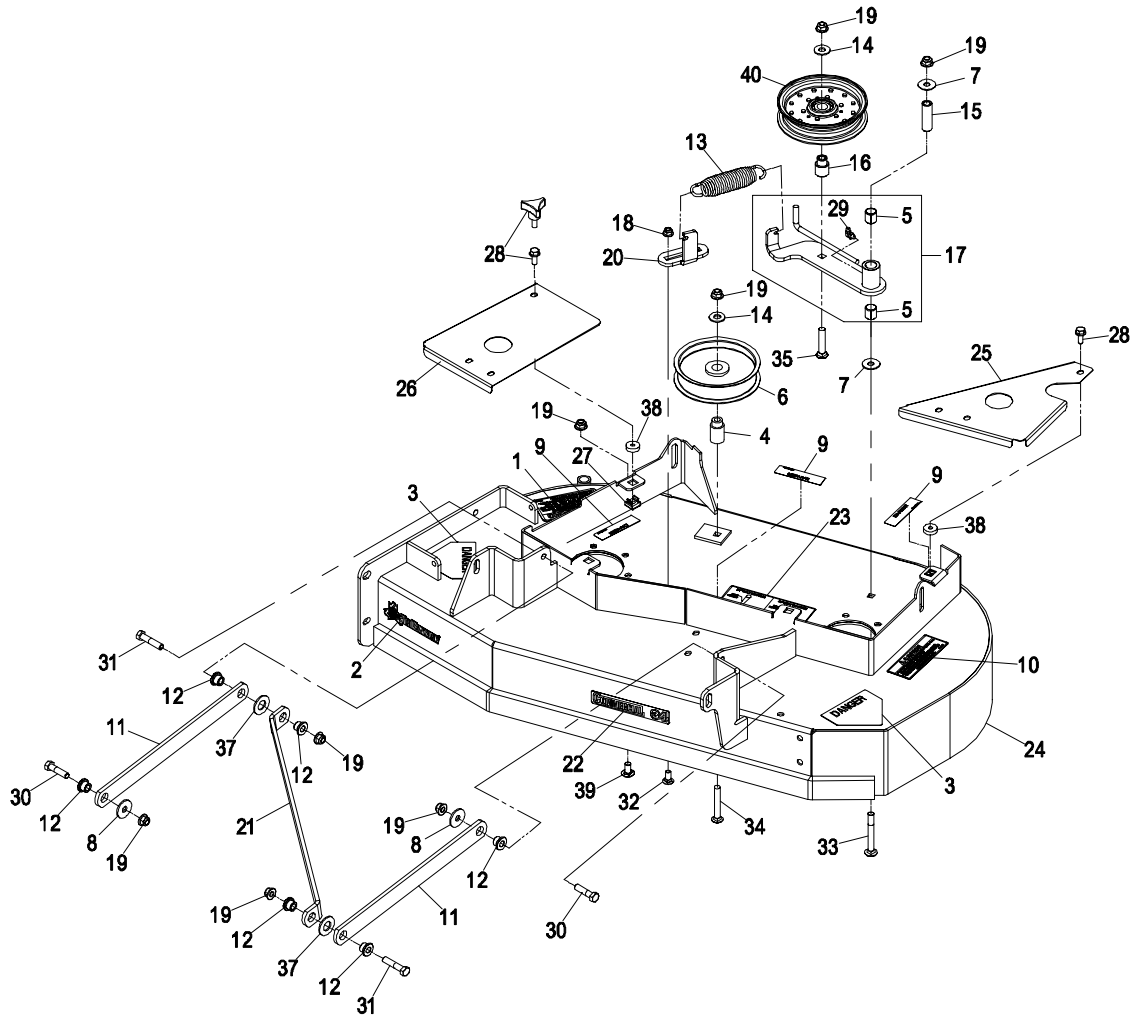


**READ OPERATOR'S MANUAL BEFORE
OPERATING OR SERVICING EXMARK EQUIPMENT**

TABLE OF CONTENTS

| <u>Description</u> | <u>Page</u> |
|----------------------------------|--------------------|
| 34" Deck Group | 3-4 |
| 44" Deck Group | 5-6 |
| Decal Group | 15 |
| Electrical Diagram..... | 17 |
| Electrical Group | 16 |
| Electrical Logic Schematic | 18 |
| Engine Group | 13 |
| Frame Group | 7-8 |
| Fuel Group..... | 12 |
| Motion Control Group | 9 |
| Park Brake Group..... | 11 |
| Seat Group | 10 |
| Transaxle Group..... | 14 |

34" DECK GROUP



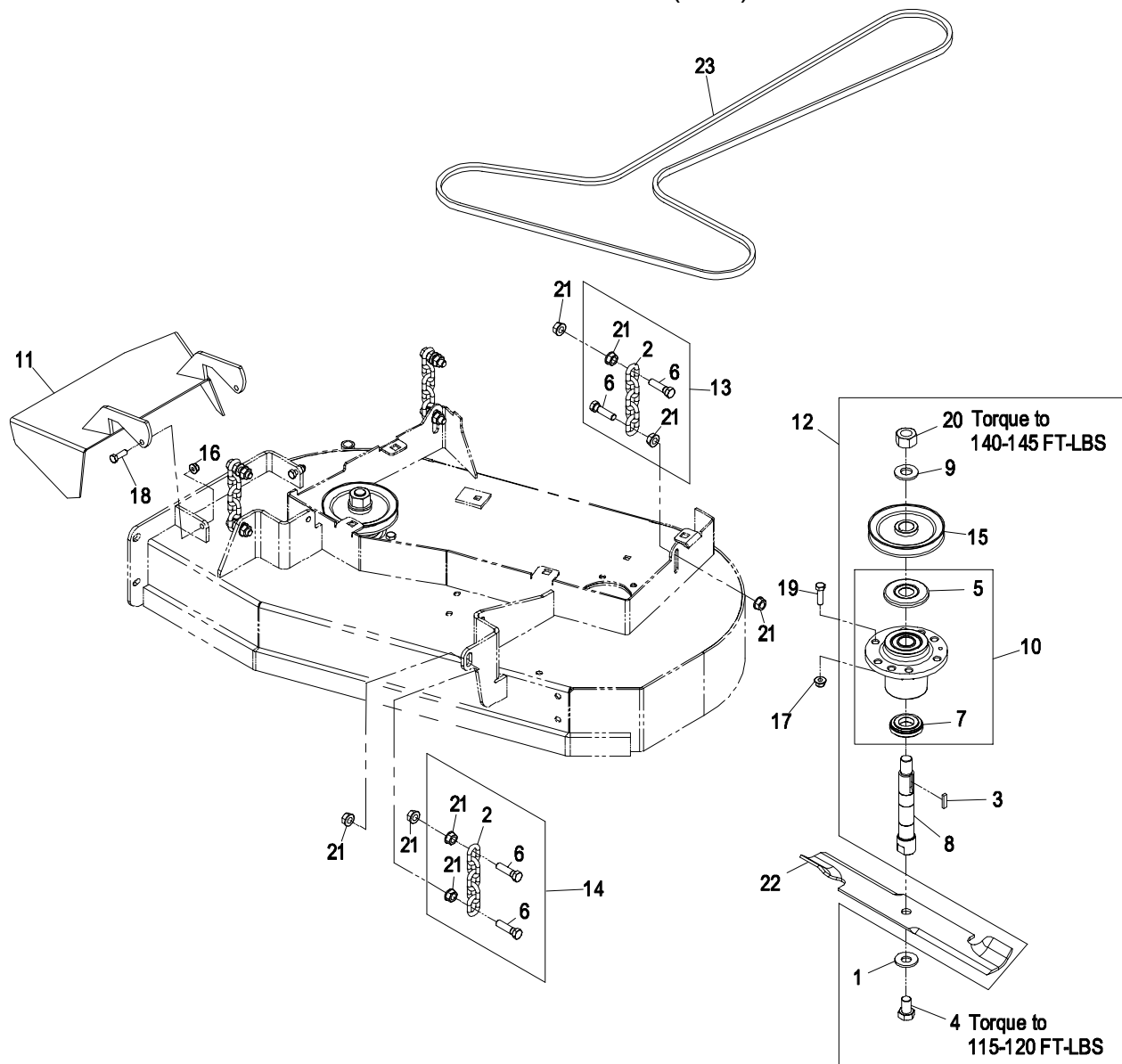
| Item | Part No. | Description | Qty. |
|------|----------|--------------------------------|------|
| 1 | 1-303508 | Decal, Discharge Warning..... | 1 |
| 2 | 1-303520 | Decal, Trivantage..... | 1 |
| 3 | 1-403005 | Danger, Decal..... | 2 |
| 4 | 1-413113 | Bushing, Idler..... | 1 |
| 5 | 1-513034 | Sleeve, Bearing..... | 2 |
| 6 | 1-613098 | Idler, Flat..... | 1 |
| 7 | 52-2860 | Washer..... | 2 |
| 8 | 63-8410 | Washer..... | 2 |
| 9 | 98-5954 | Decal, Danger..... | 3 |
| 10 | 103-1077 | Decal, Bolt Torque..... | 1 |
| 11 | 103-3898 | Flat, Strut..... | 2 |
| 12 | 103-3900 | Spacer, Strut..... | 6 |
| 13 | 103-8599 | Spring, Extension..... | 1 |
| 14 | 3256-4 | Washer, 3/8 Std..... | 2 |
| 15 | 103-9405 | Bushing, Idler Arm..... | 1 |
| 16 | 103-9948 | Bushing, Idler..... | 1 |
| 17 | 109-4747 | Asm, Idler Arm W/Bearings..... | 1 |
| 18 | 104-8300 | Nut, Nyloc 5/16-18 Flg..... | 1 |
| 19 | 104-8301 | Nut, Nyloc 3/8-16 Flg..... | 8 |
| 20 | 109-0377 | Anchor, Deck Spring..... | 1 |
| 21 | 109-0381 | Brace, Deck Linkage..... | 1 |

| Item | Part No. | Description | Qty. |
|------|-------------|------------------------------------|------|
| 22 | 109-2462 | Decal, Commercial 34..... | 1 |
| 23 | 109-2465 | Decal, Belt Routing..... | 1 |
| 24 | 109-3121 | Asm, Deck W/Decals..... | 1 |
| 25 | 109-3085-01 | Cover, Spindle (LH)..... | 1 |
| 26 | 109-3086-01 | Cover, Spindle (RH)..... | 1 |
| 27 | 109-3100 | Nut, Cage 5/16..... | 4 |
| 28 | 3234-47 | Screw, HH FLG 5/16-18 x 3/4..... | 4 |
| | 109-3351 | Knob (Commercial Use Only)..... | 3 |
| 29 | 302-40 | Zerk, 90° 1/4-28..... | 1 |
| 30 | 323-8 | Screw, HH 3/8-16 x 1 1/2..... | 2 |
| 31 | 323-9 | Screw, HH 3/8-16 x 1 3/4..... | 2 |
| 32 | 3230-1 | Bolt, Carriage 5/16-18 x 3/4..... | 1 |
| 33 | 3231-10 | Bolt, Carriage 3/8-16 x 3..... | 1 |
| 34 | 3231-31 | Bolt, Carriage 3/8-16 x 2 1/2..... | 1 |
| 35 | 3231-6 | Bolt, Carriage 3/8-16 x 2..... | 1 |
| 36▲ | 109-3520 | Asm, Deck Complete 34"..... | 1 |
| 37 | 1-3256-27 | Washer, 5/8 SAE..... | 2 |
| 38 | 1-323417 | Washer, Belt Shield..... | 2 |
| 39 | 3231-21 | Bolt, Carriage 3/8-16 x 3/4..... | 1 |
| 40 | 1-403186 | Idler, Flat..... | 1 |

Exmark red touch up paint (spray paint - P/N 1-850337 - .6 oz liquid bottle - P/N 103-9140).

▲ Includes all item shown on pages 3 & 4. Does not include struts or strut hardware.

34" DECK GROUP (cont)



| Item | Part No. | Description | Qty. |
|------|-------------|---------------------------------------|------|
| 1 | 1-513208 | Washer, Spring Disk 5/8..... | 2 |
| 2 | 1-633447 | Chain, Deck Lift..... | 4 |
| 3 | 1-807268 | Key, Machine 1/4 x 3/16 x 1 | 2 |
| 4 | 103-1026 | Screw, HH 5/8-11 x 1 Gr 8 | 2 |
| 5+ | 103-1330 | Guard, Bearing Top..... | 2 |
| 6 | 103-1898 | Screw, HH 7/16-20 x 1-5/8 Sp..... | 8 |
| 7 | 103-2535 | Spacer, Guard Bottom | 2 |
| 8+ | 103-2788 | Spindle..... | 2 |
| 9 | 103-2802 | Washer, Spring Disk 3/4..... | 2 |
| 10 | 103-8280 | Asm, Cutter Housing..... | 2 |
| 11 | 103-9382-01 | Wld, Chute Deflector..... | 1 |
| 12 | 109-3522 | Asm, Cutter Housing Complete 34"..... | 3 |
| 13 | 103-9792 | Asm, Chain Deck..... | 1 |

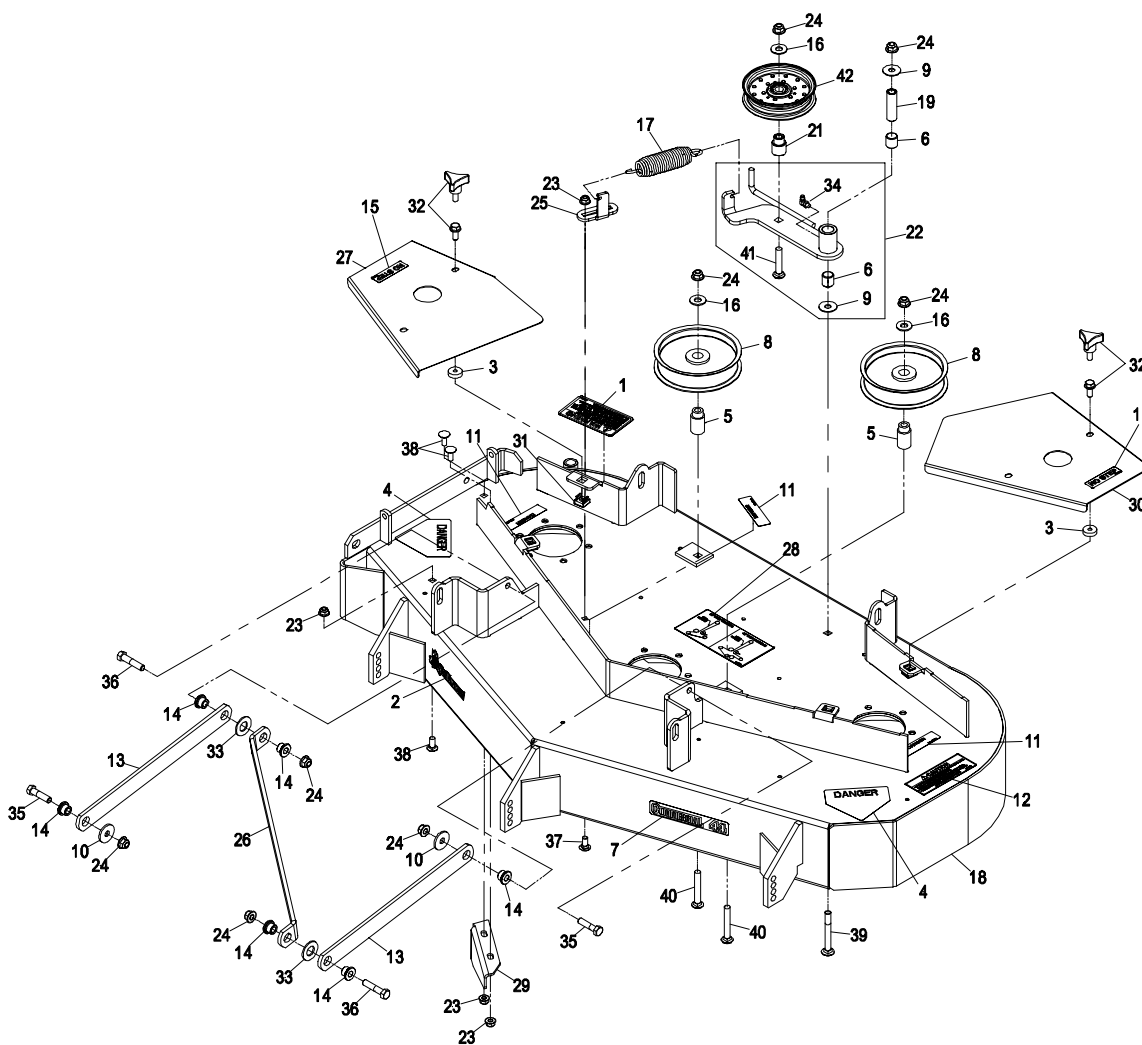
| Item | Part No. | Description | Qty. |
|------|----------|-------------------------------|------|
| 14 | 103-9817 | Asm, Chain Deck | 3 |
| 15+ | 103-9953 | Sheave, Blade Drive | 2 |
| 16 | 104-8300 | Nut, Nyloc 5/16-18 Fig | 2 |
| 17 | 104-8301 | Nut, Nyloc 3/8-16 Fig | 12 |
| 18 | 322-5 | Screw, HH 5/16-18 x 1 | 2 |
| 19 | 323-7 | Screw, HH 3/8-16 x 1 1/4..... | 12 |
| 20★ | 3217-46 | Nut, Hex 3/4-16 Heavy..... | 2 |
| 21 | 32128-37 | Nut, Whizlock 7/16-14..... | 16 |
| 22 | 109-2548 | Blade, Notched | 2 |
| | 109-2551 | Blade, Low Lift | 2 |
| ■ | 109-3129 | Blade, Mulch..... | 2 |
| | 109-2549 | Blade, Solid | 2 |
| 23 | 103-9366 | Belt..... | 1 |

Exmark red touch up paint (spray paint - P/N 1-850337 - .6 oz liquid bottle - P/N 103-9140).

Anti-scalp kit P/N AS34 is available for this unit.

- ✚ Apply Mobil HTS grease (P/N 103-5217 1.5 oz packet) (or a food-grade anti-seize) between the spindles & bearings and spindles & sheaves and under top bearing guard. DO NOT use a copper or nickel based anti-seize.
- Requires installation of Micro-Mulch accessory for proper mulching. Mulch kit P/N MK343.
- ★ Use Pro-Lock, Nut Type (P/N 1-840022, .5ml tube) on nut Item, #21.

44" DECK GROUP



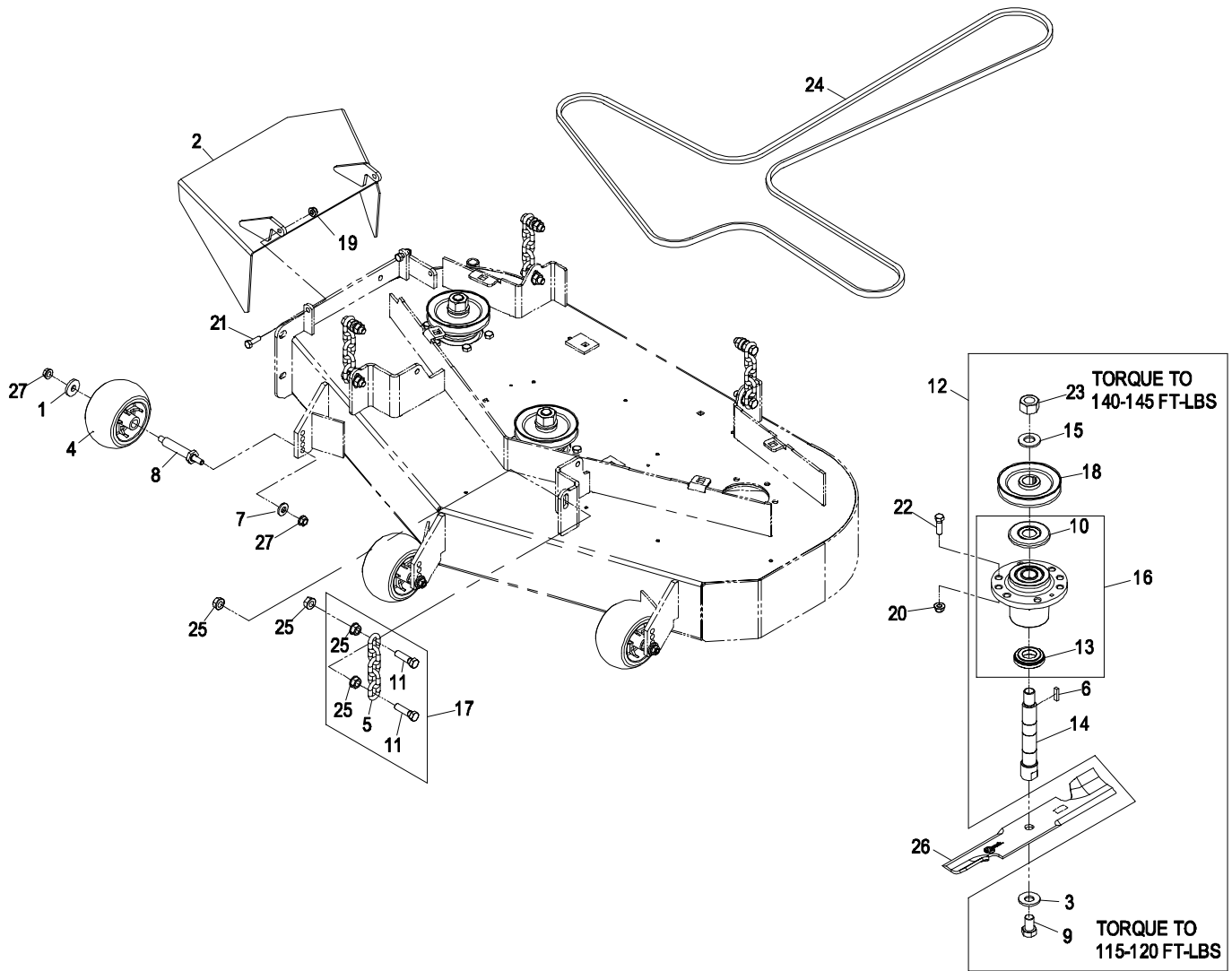
| Item | Part No. | Description | Qty. |
|------|----------|--------------------------------|------|
| 1 | 1-303508 | Decal, Discharge Warning..... | 1 |
| 2 | 1-303520 | Decal, Trivantage..... | 1 |
| 3 | 1-323417 | Washer, Belt Shield..... | 4 |
| 4 | 1-403005 | Danger, Decal..... | 2 |
| 5 | 1-413113 | Bushing, Idler..... | 2 |
| 6 | 1-513034 | Sleeve, Bearing..... | 2 |
| 7 | 1-523417 | Decal, Commercial 44"..... | 1 |
| 8 | 1-613098 | Idler, Flat..... | 2 |
| 9 | 52-2860 | Washer..... | 2 |
| 10 | 63-8410 | Washer..... | 2 |
| 11 | 98-5954 | Decal, Danger..... | 3 |
| 12 | 103-1077 | Decal, Bolt Torque..... | 1 |
| 13 | 103-3898 | Flat, Strut..... | 2 |
| 14 | 103-3900 | Spacer, Strut..... | 6 |
| 15 | 1-513742 | Decal, No Step..... | 2 |
| 16 | 3256-4 | Washer, 3/8 Std..... | 3 |
| 17 | 103-8599 | Spring, Extension..... | 1 |
| 18 | 109-3122 | Asm, Deck W/Decals..... | 1 |
| 19 | 103-9405 | Bushing, Idler Arm..... | 1 |
| 20▲ | 109-3521 | Asm, Deck Complete..... | 1 |
| 21 | 103-9948 | Bushing, Idler..... | 1 |
| 22 | 109-4747 | Asm, Idler Arm W/Bearings..... | 1 |

| Item | Part No. | Description | Qty. |
|------|-------------|---|------|
| 23 | 104-8300 | Nut, Nyloc 5/16-18 Fig..... | 4 |
| 24 | 104-8301 | Nut, Nyloc 3/8-16 Fig..... | 8 |
| 25 | 109-0377 | Anchor, Deck Spring..... | 1 |
| 26 | 109-0381 | Brace, Deck Linkage..... | 1 |
| 27 | 109-0390-01 | Shield, Belt (RH)..... | 1 |
| 28 | 109-2465 | Decal, Belt Routing..... | 1 |
| 29 | 109-2610-01 | Baffle, Discharge..... | 1 |
| 30 | 109-2633-01 | Shield, Belt (LH)..... | 1 |
| 31 | 109-3100 | Nut, Cage 5/16..... | 4 |
| 32 | 3234-47 | Screw, HH FLG 5/16-18 x 3/4..... | 4 |
| | 109-3351 | Knob (Commercial Use Only)..... | 4 |
| 33 | 3256-27 | Washer, 5/8 SAE..... | 2 |
| 34 | 302-40 | Zerk, 90° 1/4-28..... | 1 |
| 35 | 323-8 | Screw, HH 3/8-16 x 1 1/2..... | 2 |
| 36 | 323-9 | Screw, HH 3/8-16 x 1 3/4..... | 2 |
| 37 | 3230-1 | Bolt, Carriage 5/16-18 x 3/4..... | 1 |
| 38 | 3230-23 | Bolt, Carriage 5/16-18 x 3/4, short neck..... | 3 |
| 39 | 3231-10 | Bolt, Carriage 3/8-16 x 3..... | 1 |
| 40 | 3231-31 | Bolt, Carriage 3/8-16 x 2 1/2..... | 2 |
| 41 | 3231-6 | Bolt, Carriage 3/8-16 x 2..... | 1 |
| 42 | 1-403186 | Idler, Flat..... | 1 |

Exmark red touch up paint (spray paint - P/N 1-850337 - .6 oz liquid bottle - P/N 103-9140).

▲ Includes all item shown on pages 5 & 6. Does not include struts or strut hardware not attaching struts to decks.

44" DECK GROUP (cont.)



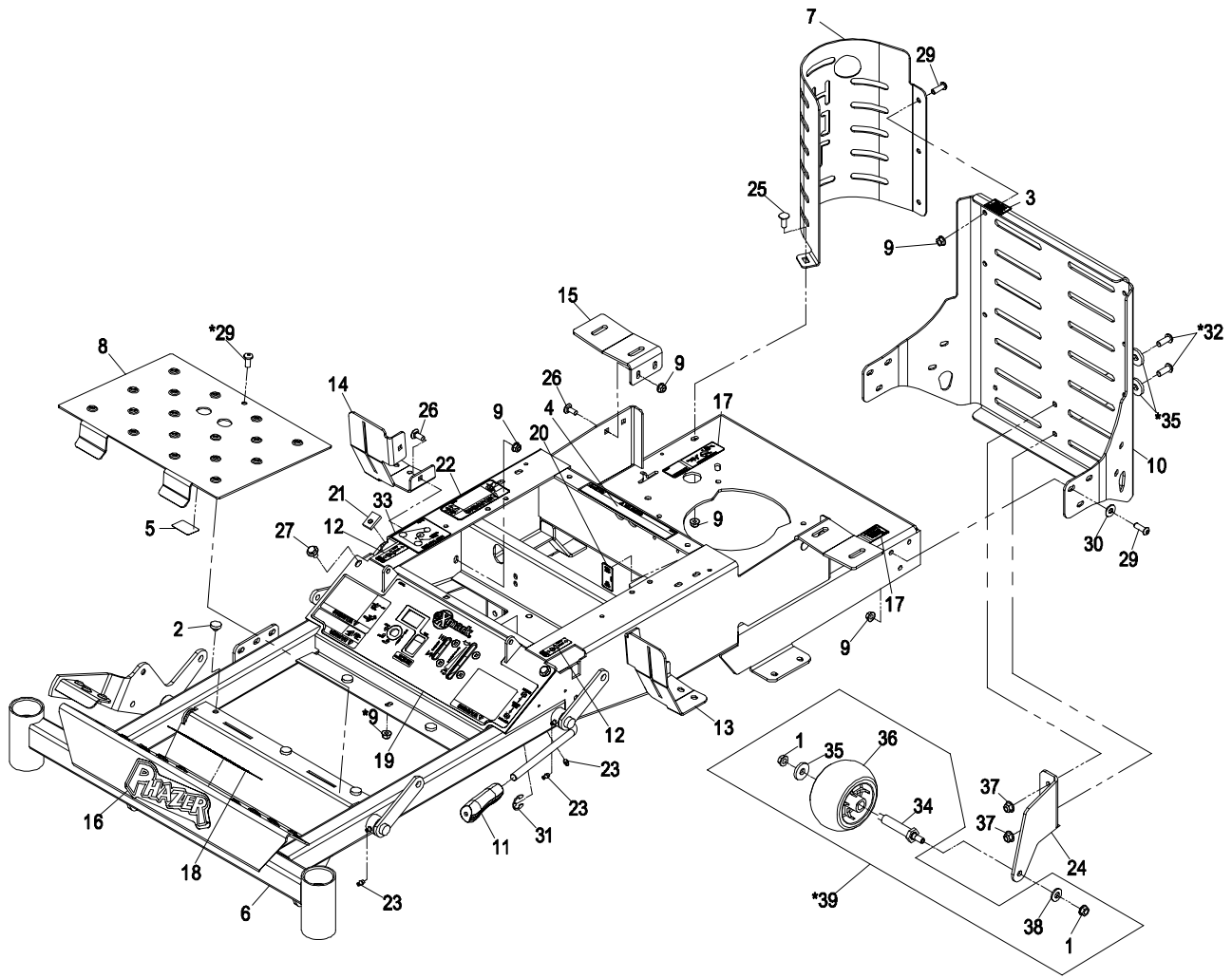
| Item | Part No. | Description | Qty. |
|------|-------------|--|------|
| 1 | 1-373034 | Washer | 3 |
| 2 | 109-3915-01 | Wld, Chute | 1 |
| 3 | 1-513208 | Washer, Spring Disk 5/8 | 3 |
| 4 | 103-4051 | Roller, Antiscalp | 3 |
| 5 | 1-633447 | Chain, Deck Lift | 4 |
| 6 | 1-807268 | Key, Machine 1/4 x 3/16 x 1 | 3 |
| 7 | 98-5975 | Washer, Spring Disk 3/8 | 3 |
| 8 | 99-2842 | Spacer, Wheel | 3 |
| 9 | 103-1026 | Screw, HH 5/8-11 x 1 Gr 8 | 3 |
| 10+ | 103-1330 | Guard, Bearing Top | 3 |
| 11 | 103-1898 | Screw, HH 7/16-20 x 1-5/8 Sp..... | 8 |
| 12 | 109-3523 | Asm, Cutter Housing Complete (44") | 3 |
| 13 | 103-2535 | Spacer, Guard Bottom | 3 |
| 14+ | 103-2788 | Spindle..... | 3 |
| 15 | 103-2802 | Washer, Spring Disk 3/4 | 3 |
| 16 | 103-8280 | Asm, Cutter Housing..... | 3 |

| Item | Part No. | Description | Qty. |
|------|----------|-------------------------------|------|
| 17 | 103-9817 | Asm, Chain Deck | 4 |
| 18+ | 103-9936 | Sheave, Blade Drive | 3 |
| 19 | 104-8300 | Nut, Nyloc 5/16-18 Flg | 2 |
| 20 | 104-8301 | Nut, Nyloc 3/8-16 Flg | 18 |
| 21 | 322-5 | Screw, HH 5/16-18 x 1 | 2 |
| 22 | 323-7 | Screw, HH 3/8-16 x 1 1/4..... | 18 |
| 23★ | 3217-46 | Nut, Hex 3/4-16 Heavy..... | 3 |
| 24 | 109-2236 | Belt | 1 |
| 25 | 32128-37 | Nut, Whizlock 7/16-14..... | 16 |
| 26 | 103-2529 | Blade, Notched | 3 |
| | 103-2509 | Blade, Low Lift | 3 |
| ■ | 103-2519 | Blade, Mulching | 3 |
| | 103-1579 | Blade, Solid | 3 |
| | 103-6335 | Blade, Extreme | 3 |
| 27 | 3290-357 | Nut, Whizlock 3/8-16..... | 6 |

Exmark red touch up paint (spray paint - P/N 1-850337 - .6 oz liquid bottle - P/N 103-9140).

- + Apply Mobil HTS grease (P/N 103-5217 1.5 oz packet) (or a food-grade anti-seize) between the spindles & bearings and spindles & sheaves and under top bearing guard. DO NOT use a copper or nickel based anti-seize.
- Requires installation of Micro-Mulch accessory for proper mulching. Mulch kit P/N MK443.
- ★ Use Pro-Lock, Nut Type (P/N 1-840022, .5ml tube) on nut Item, #23.

FRAME GROUP



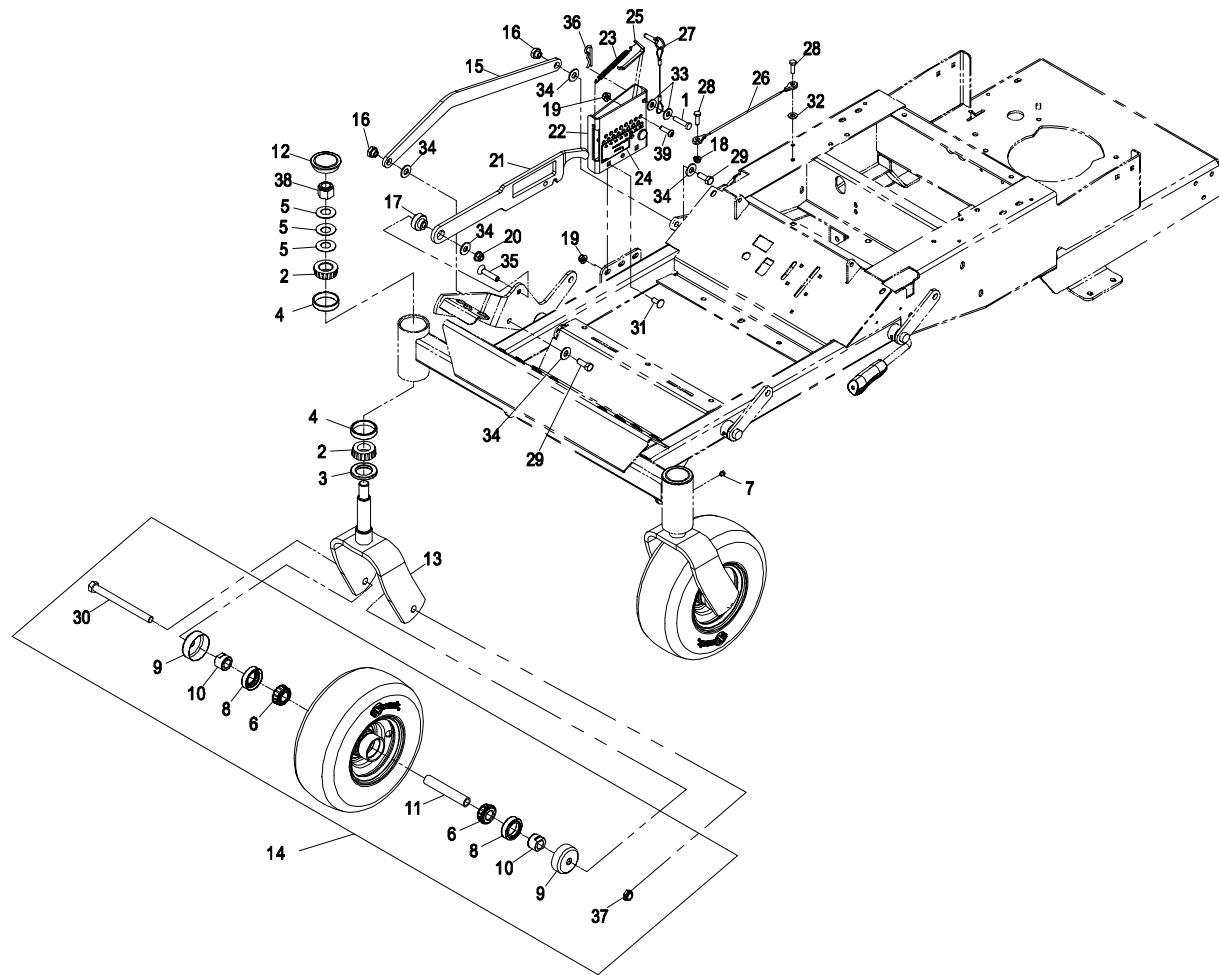
| Item | Part No. | Description | Qty. |
|------|-------------|---------------------------------|------|
| 1 | 3290-357 | Nut, Whizlock 3/8-16..... | 2 |
| 2 | 1-513658 | Bumper..... | 5 |
| 3 | 1-513746 | Decal, Muffler..... | 1 |
| 4 | 1-513747 | Decal, Battery..... | 1 |
| 5 | 1-513748 | Decal, Guard..... | 1 |
| 6 | 109-3125 | Asm, Frame W/Decals..... | 1 |
| 7 | 103-9343-03 | Guard, Muffler..... | 1 |
| 8 | 109-3127 | Asm, Floor Pan W/Decals..... | 1 |
| 9* | 104-8300 | Nut, Nyloc 5/16-18 Flg..... | 19 |
| 10 | 109-3126 | Asm, Rear Guard W/Decal..... | 1 |
| 11 | 109-0375 | Grip, Brake Lever..... | 1 |
| 12 | 109-2356 | Decal, Motion Control..... | 2 |
| 13 | 109-2421-03 | Bracket, LH Fuel Tank..... | 1 |
| 14 | 109-2422-03 | Bracket, RH Fuel Tank..... | 1 |
| 15 | 109-2429-03 | Bracket, Rear Fuel Tank..... | 2 |
| 16 | 109-2466 | Decal, Phazer..... | 1 |
| 17 | 109-2467 | Decal, Drive Wheel Release..... | 2 |
| 18 | 109-2490 | Decal, Danger Slope..... | 1 |
| 19 | 109-2494 | Decal, Console..... | 1 |

| Item | Part No. | Description | Qty. |
|------|-------------|-------------------------------------|------|
| 20 | 109-2539 | Decal, Relay..... | 1 |
| 21 | 109-2605 | Stop, Motion Control..... | 2 |
| 22 | 109-2862 | Decal, Rotating Devices..... | 1 |
| 23 | 302-19 | Zerk, 1/4-28 Str..... | 5 |
| 24 | 109-3548-03 | Bracket..... | 1 |
| 25 | 3230-10 | Bolt, Carriage 5/16-18 x 7/8..... | 1 |
| 26 | 3230-23 | Bolt, Carriage 5/16-18 x 3/4..... | 8 |
| 27 | 3234-7 | Screw, HH FLG 5/16-18 x 5/8..... | 2 |
| 29* | 3274-104 | Screw, Button Head 5/16-18 x 1..... | 10 |
| 30 | 3256-23 | Washer, 5/16 SAE..... | 6 |
| 31 | 604259 | E-Ring..... | 1 |
| 32* | 3274-94 | Screw, Button Head 3/8-16 x 1..... | 2 |
| 33 | 109-2992 | Decal, Pump Belt Routing..... | 1 |
| 34 | 99-2842 | Spacer, Wheel..... | 1 |
| 35* | 1-373034 | Washer..... | 3 |
| 36 | 1-603299 | Roller, Anti Scalp..... | 1 |
| 37 | 104-8301 | Nut, Nyloc 3/8-16 Flg..... | 2 |
| 38 | 98-5975 | Washer, Spring Disk 3/8..... | 1 |
| 39* | 103-4051 | Kit, Anti-Scalp Roller..... | 1 |

Exmark black touch up spray paint – gloss black.

*Required for Non-Commercial users.

FRAME GROUP (cont.)



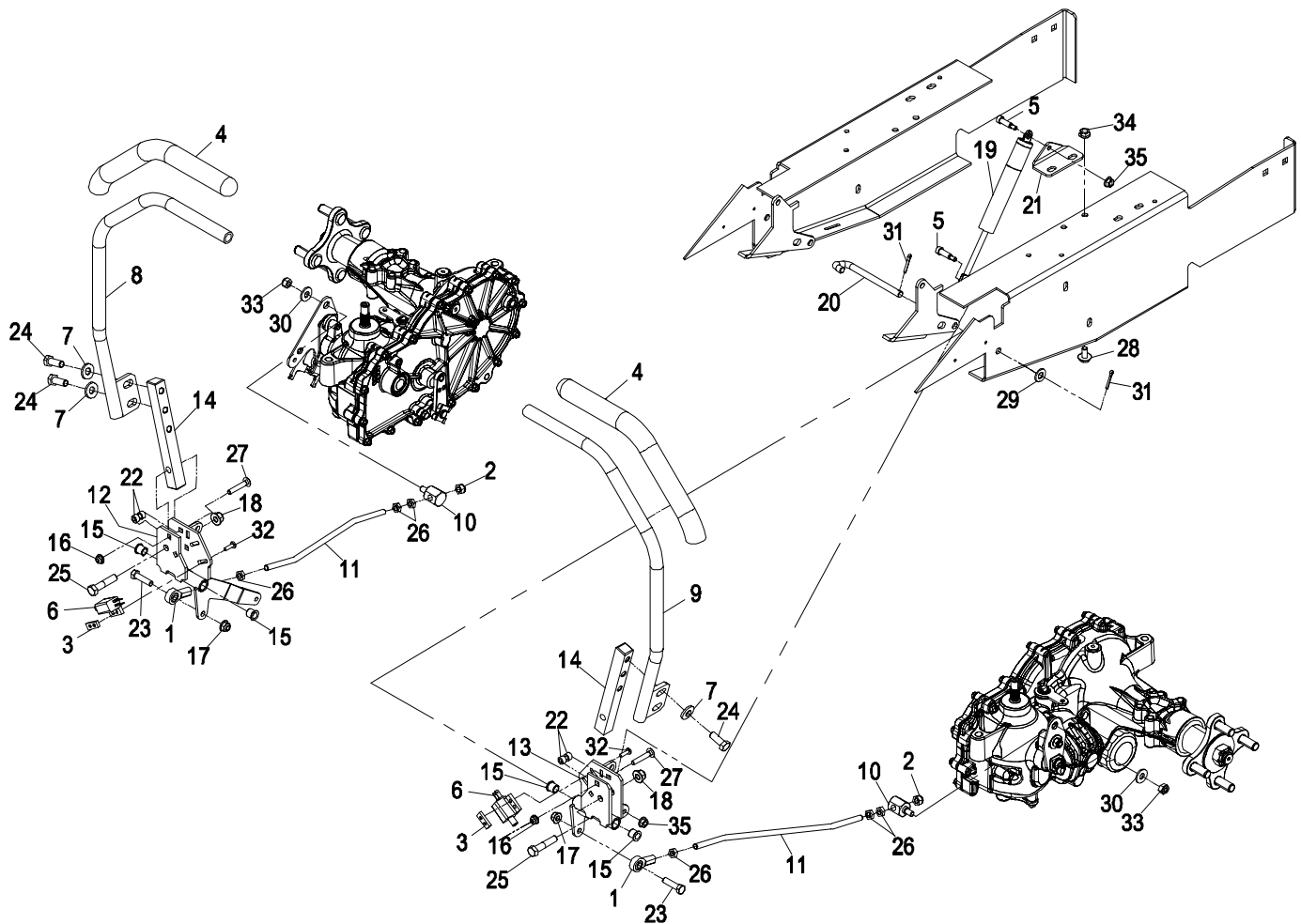
| Item | Part No. | Description | Qty. |
|------|-------------|------------------------------------|------|
| 1 | 283-6 | Pin, Clevis 5/16 x 1 1/4 | 1 |
| 2 | 1-543509 | Cone, Bearing Tapered Roller | 4 |
| 3 | 1-543511 | Seal, Grease | 2 |
| 4 | 1-543508 | Cup, Bearing Tapered Roller | 4 |
| 5 | 1-633508 | Washer, Spring Disk | 6 |
| 6 | 1-633585 | Bearing, Cone Tapered Roller | 4 |
| 7 | 1-811010 | Plug | 2 |
| 8 | 103-0063 | Seal, Double Lip | 4 |
| 9 | 103-2768 | Guard, Seal | 4 |
| 10+ | 103-3051 | Spacer, Nut | 4 |
| 11 | 103-3157 | Axle, Caster | 2 |
| 12 | 103-4882 | Cap, Grease | 2 |
| 13 | 103-8618-01 | Wld, Caster Fork | 2 |
| 14 | 109-3524 | Asm, Wheel And Bearings | 2 |
| 15 | 103-9932 | Link, Deck Control | 1 |
| 16 | 103-9933 | Nut, Shoulder | 2 |
| 17 | 103-9934 | Bushing | 1 |
| 18 | 104-7201 | Nut, Nyloc 1/4-20 Flg | 2 |
| 19 | 104-8300 | Nut, Nyloc 5/16-18 Flg | 3 |
| 20 | 104-8301 | Nut, Nyloc 3/8-16 Flg | 1 |

| Item | Part No. | Description | Qty. |
|------|----------|--------------------------------------|------|
| 21 | 109-2410 | Bar, Height Adjust | 1 |
| 22 | 109-3544 | Asm, Height Adjust W/Decal | 1 |
| 23 | 109-2416 | Spring, Extension | 1 |
| 24 | 109-2463 | Decal, Deck Height | 1 |
| 25 | 109-2620 | Pawl, Height Control | 1 |
| 26 | 109-2628 | Cable | 1 |
| 27 | 109-3323 | Asm, Height Pin W/Lanyard | 1 |
| 28 | 321-5 | Screw, HH 1/4-20 x 7/8 | 2 |
| 29 | 323-6 | Screw, HH 3/8-16 x 1 | 2 |
| 30 | 325-20 | Screw, HH 1/2-13 x 6 | 2 |
| 31 | 3230-23 | Bolt, Carriage 5/16-18 x 3/4 | 2 |
| 32 | 3256-23 | Washer, 5/16 SAE | 1 |
| 33 | 1-303334 | Washer, Spring Disk 5/16 | 2 |
| 34 | 63-8410 | Washer | 5 |
| 35 | 3289-19 | Screw, Flat HD 3/8-16 x 1 3/4 | 1 |
| 36 | 1-806003 | Hairpin, Cotter | 1 |
| 37 | 3296-45 | Nut, Nyloc 1/2-13 Thin | 2 |
| 38 | 3296-51 | Nut, Nyloc 3/4-10 | 2 |
| 39 | 3274-104 | Screw, Button Head 5/16-18 x 1 | 1 |

Exmark red touch up paint (spray paint - P/N 1-850337 - .6 oz liquid bottle - P/N 103-9140).

+ Use Pro-Lock, Nut Type (P/N 1-840022, .5ml tube) on spacer nut Item #10.

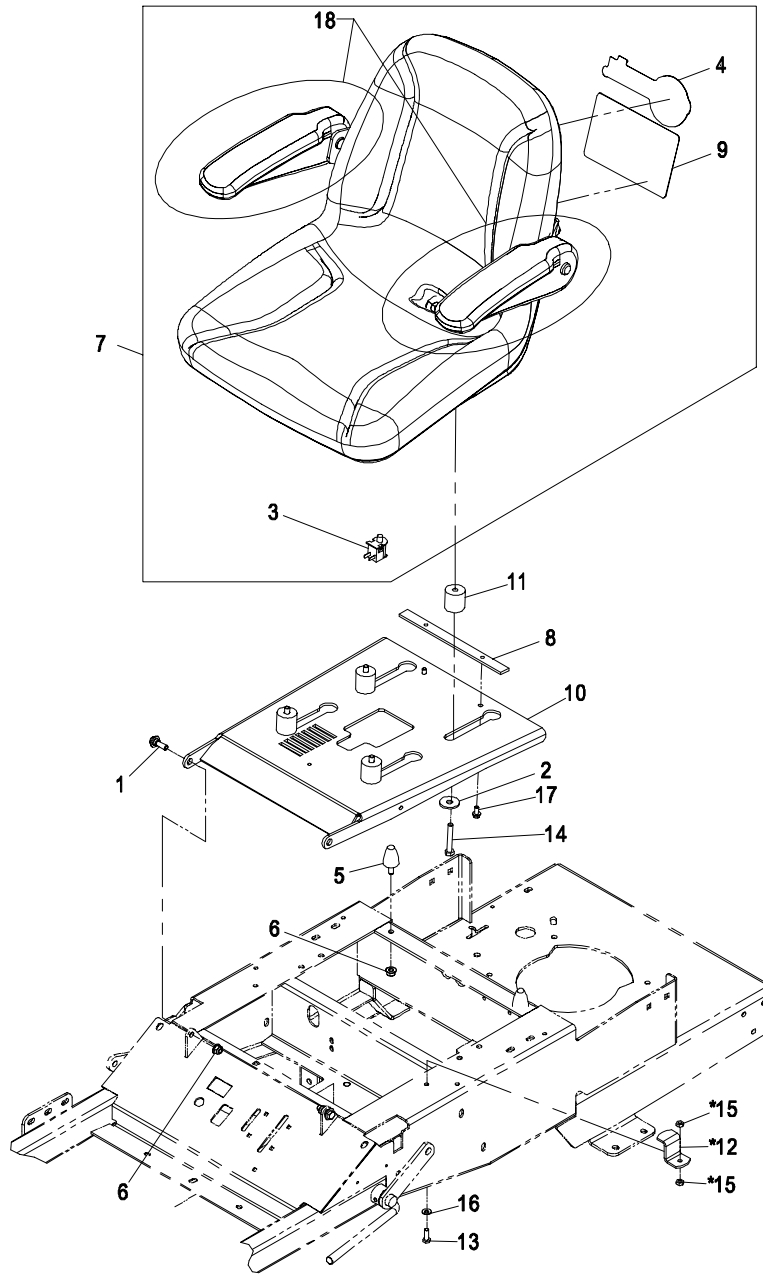
MOTION CONTROL GROUP



| Item | Part No. | Description | Qty. |
|------|----------|----------------------------------|------|
| 1 | 1-543017 | Balljoint | 2 |
| 2 | 3296-4 | Nut, Esna 5/16-24 | 2 |
| 3 | 1-633181 | Plate, Tapped..... | 2 |
| 4 | 1-633257 | Grip, Control Lever..... | 2 |
| 5 | 1-809057 | Screw, SH 5/16-18 x 3/4 | 4 |
| 6 | 65-7410 | Switch | 2 |
| 7 | 98-5975 | Washer, Spring Disk 3/8..... | 4 |
| 8 | 103-9367 | Asm, Lever Control (RH)..... | 1 |
| 9 | 103-9368 | Asm, Lever Control (LH)..... | 1 |
| 10 | 103-9373 | Trunnion..... | 2 |
| 11 | 103-9407 | Rod, Steering..... | 2 |
| 12 | 103-9411 | Wld, Steering Control (RH)..... | 1 |
| 13 | 103-9413 | Wld, Steering Control (LH) | 1 |
| 14 | 103-9414 | Post, Lever Mount..... | 2 |
| 15 | 103-9928 | Bearing | 4 |
| 16 | 104-7201 | Nut, Nyloc 1/4-20 Flg | 4 |
| 17 | 104-8300 | Nut, Nyloc 5/16-18 Flg | 2 |
| 18 | 104-8301 | Nut, Nyloc 3/8-16 Flg | 2 |

| Item | Part No. | Description | Qty. |
|------|----------|-------------------------------------|------|
| 19 | 109-2339 | Damper, Motion Control..... | 2 |
| 20 | 109-2423 | Shaft, Control Pivot..... | 2 |
| 21 | 109-2428 | Bracket, Damper Mount | 2 |
| 22 | 1-633545 | Spacer | 4 |
| 23 | 322-6 | Screw, HH 5/16-18 x 1 1/4 | 2 |
| 24 | 323-6 | Screw, HH 3/8-16 x 1..... | 4 |
| 25 | 323-9 | Screw, HH 3/8-16 x 1 3/4..... | 2 |
| 26 | 3220-2 | Nut, Jam 5/16-24 | 6 |
| 27 | 3229-4 | Bolt, Carriage 1/4-20 x 1 1/2 | 4 |
| 28 | 3234-7 | Screw, HH FLG 5/16-18 x 5/8 | 4 |
| 29 | 3256-24 | Washer, 3/8 SAE | 2 |
| 30 | 3256-3 | Washer, 5/16 Std..... | 2 |
| 31 | 3272-10 | Pin, Cotter 1/8 x 3/4 | 2 |
| 32 | 3290-500 | Screw, PPH #10-24 x 5/8..... | 4 |
| 33 | 3296-29 | Nut, Nyloc 5/16-18 | 2 |
| 34 | 32128-20 | Nut, Whizlock 5/16-18..... | 4 |
| 35 | 32128-33 | Nut, Whizlock 1/4-20..... | 4 |

SEAT GROUP



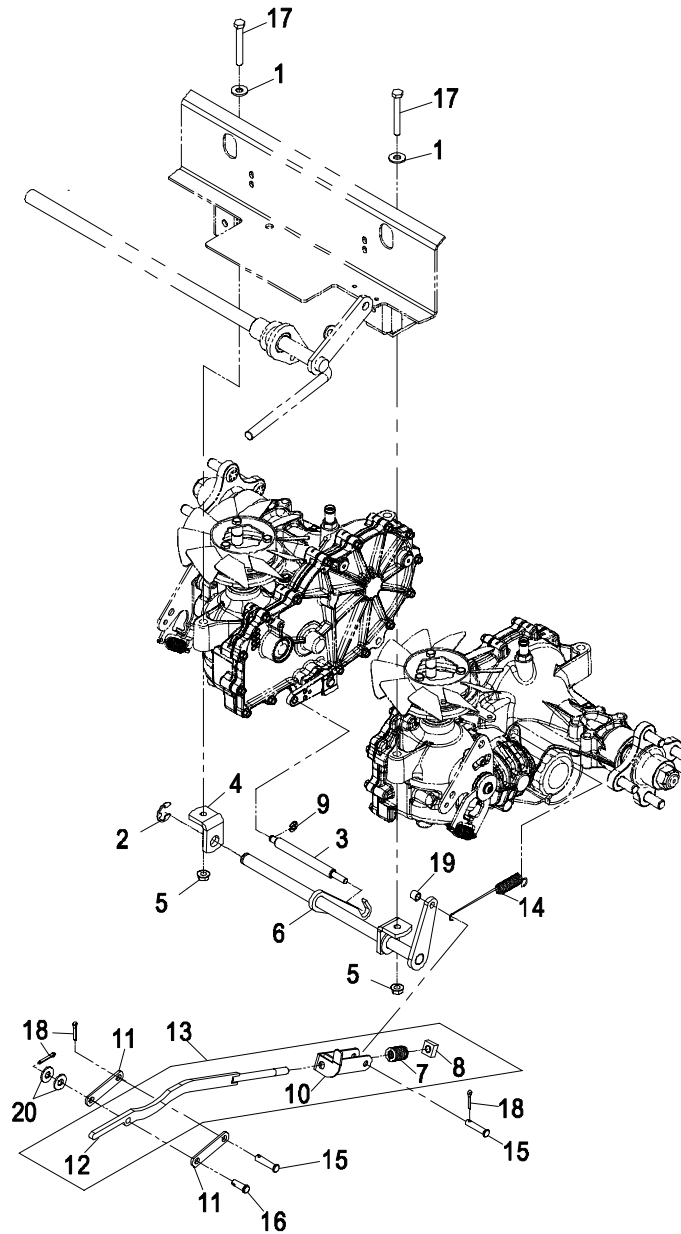
| Item | Part No. | Description | Qty. |
|------|-------------|-------------------------------------|------|
| 1 | 27-0410 | Screw, Shoulder 5/16-18 x 1 Sp..... | 2 |
| 2 | 63-8410 | Washer | 4 |
| 3 | 82-2190 | Switch | 1 |
| 4 | 103-3999 | Decal, Exmark Logo..... | 1 |
| 5 | 103-9376 | Bumper, Seat..... | 2 |
| 6 | 104-8300 | Nut, Nyloc 5/16-18 Flg | 4 |
| 7 | 109-3128 | Asm, Seat W/Decals | 1 |
| 8 | 109-2427-03 | Bar, Seat Stop..... | 1 |
| 9 | 109-2461 | Decal, Service Aid..... | 1 |

| Item | Part No. | Description | Qty. |
|------|-------------|--------------------------------------|------|
| 10 | 109-2607-03 | Bracket, Seat | 1 |
| 11 | 109-2608 | Spacer | 4 |
| 12* | 109-3519 | Bracket, Seat Holddown | 1 |
| 13 | 321-4 | Screw, HH 1/4-20 x 3/4..... | 1 |
| 14 | 322-10 | Screw, HH 5/16-18 x 2..... | 4 |
| 15* | 3217-5 | Nut, Hex 1/4-20..... | 2 |
| 16 | 3256-22 | Washer, 1/4 SAE | 1 |
| 17 | 32144-4 | Screw, HWH 1/2-20 x 1/2 Taptite..... | 2 |
| 18 | 108-6163 | Kit, Armrest..... | 1 |

Exmark black touch up spray paint – gloss black.

*Required for Non-Commercial users

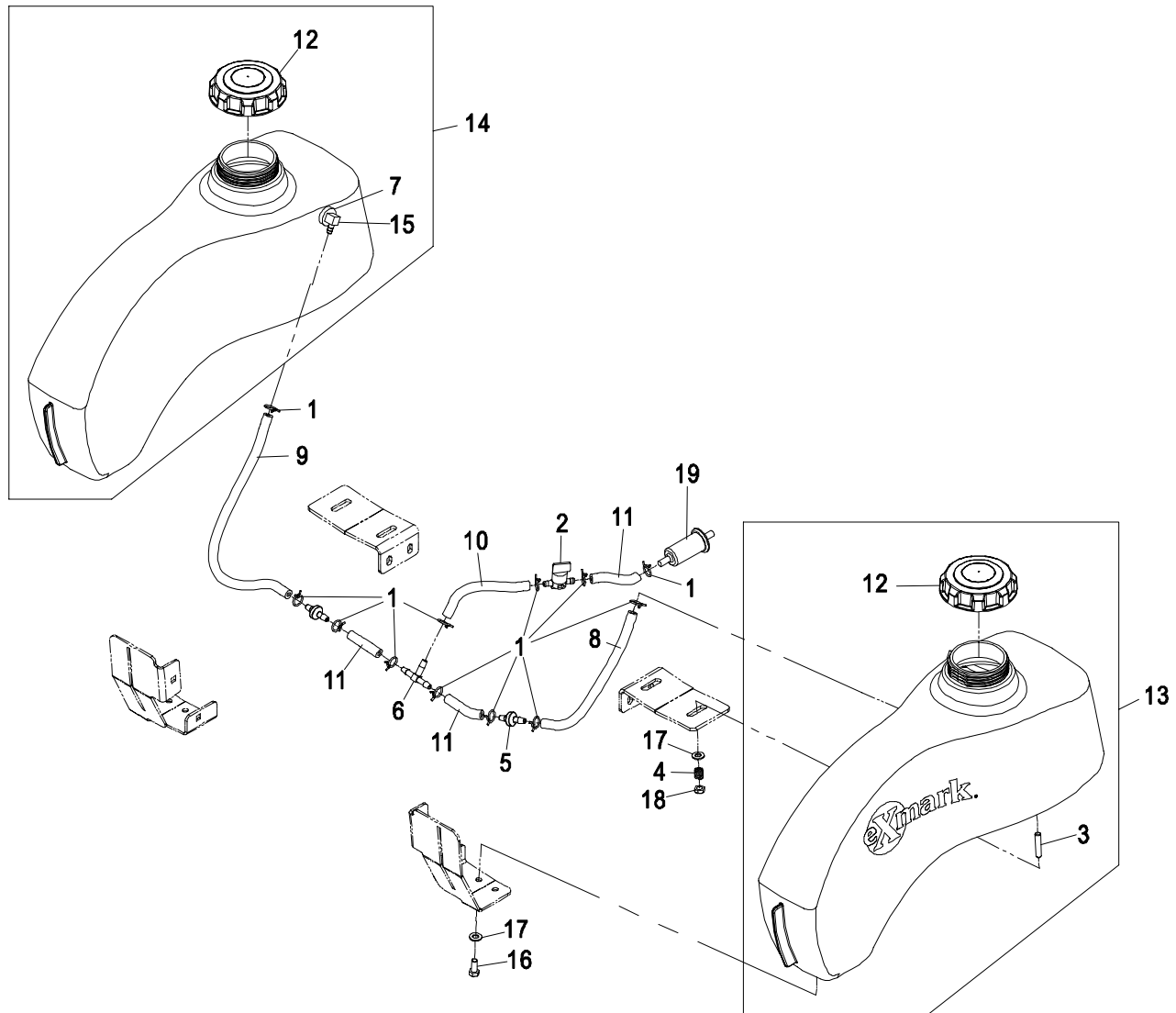
PARK BRAKE GROUP



| Item | Part No. | Description | Qty. |
|------|----------|------------------------------|------|
| 1 | 3256-3 | Washer, 5/16 Std | 2 |
| 2 | 604259 | E-Ring..... | 1 |
| 3 | 103-9408 | Bar, Equalizer | 1 |
| 4 | 103-9409 | Bracket ,Brake Pivot..... | 1 |
| 5 | 104-8300 | Nut, Nyloc 5/16-18 Flg | 2 |
| 6 | 103-9918 | Wld, Brake Bellcrank..... | 1 |
| 7 | 103-9925 | Spring, Brake | 1 |
| 8 | 103-9926 | Nut, Square..... | 1 |
| 9 | 32120-35 | E-Ring..... | 1 |
| 10 | 103-9938 | Wld, Brake Clevis..... | 1 |

| Item | Part No. | Description | Qty. |
|------|----------|--------------------------------|------|
| 11 | 109-0223 | Link, Over Center..... | 2 |
| 12 | 109-0227 | Wld, Brake Link..... | 1 |
| 13 | 109-0229 | Asm, Brake Link..... | 1 |
| 14 | 109-2861 | Spring, Extension..... | 1 |
| 15 | 283-14 | Pin, Clevis 5/16 X 1 3/8..... | 2 |
| 16 | 283-75 | Pin, Clevis 5/16 X 3/4..... | 1 |
| 17 | 322-12 | Screw, HH 5/16-18 x 2 1/2..... | 2 |
| 18 | 3272-10 | Pin, Cotter 1/8 x 3/4 | 3 |
| 19 | 1-633545 | Spacer | 1 |
| 20 | 3256-23 | Washer, 5/16 SAE | 2 |

FUEL GROUP



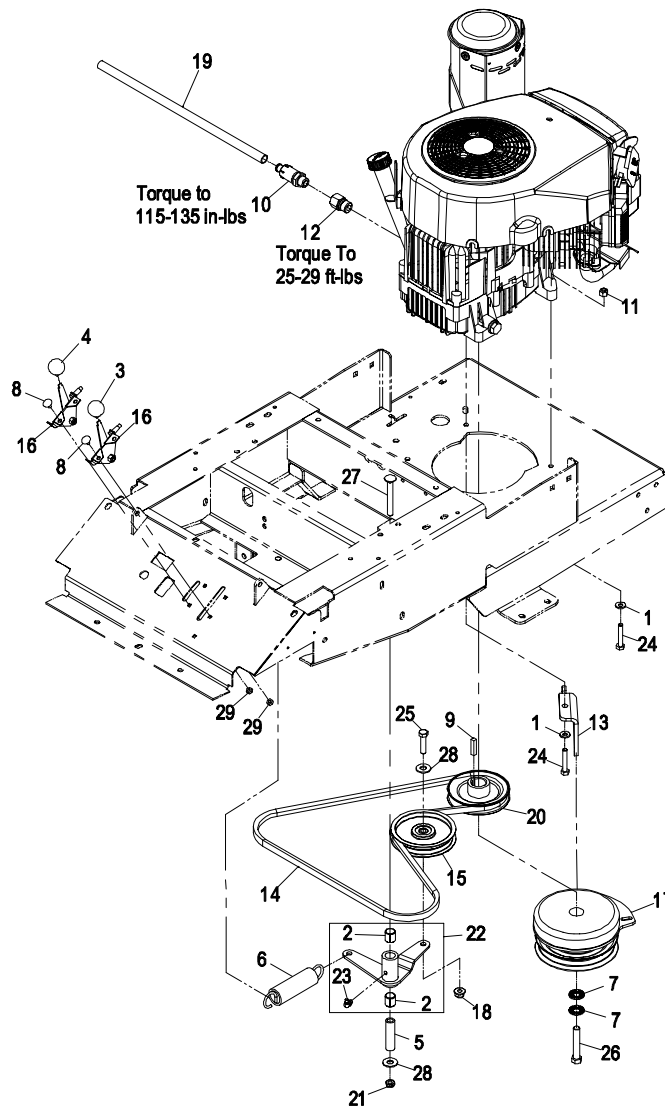
| Item | Part No. | Description | Qty. |
|------|----------|-----------------------------|------|
| 1 | 1-303077 | Clamp, Fuel Line..... | 12 |
| 2 | 1-603770 | Valve, Fuel..... | 1 |
| 3◇ | 1-633023 | Stud, Fuel Tank..... | 4 |
| 4 | 1-633349 | Spring..... | 4 |
| 5 | 99-5000 | Valve, Fuel Check..... | 2 |
| 6 | 99-5005 | Fitting, Barbed Tee..... | 1 |
| 7 | 104-7789 | Bushing..... | 2 |
| 8 | 107-7684 | Hose, Fuel Line 11"..... | 1 |
| 9 | 108-4582 | Hose, Fuel Line 21"..... | 1 |
| 10 | 109-0293 | Hose, Fuel Line 8 1/2"..... | 1 |

| Item | Part No. | Description | Qty. |
|------|----------|--------------------------------------|------|
| 11 | 109-0304 | Hose, Fuel Line 2 1/2"..... | 3 |
| 12 | 109-0346 | Cap, Fuel..... | 2 |
| 13 | 109-3124 | Asm, Fuel Tank (LH)..... | 1 |
| 14 | 109-3123 | Asm, Fuel Tank (RH)..... | 1 |
| 15 | 109-2420 | Fitting, Fuel W/Line And Screen..... | 2 |
| 16 | 322-3 | Screw, HH 5/16-18 x 3/4..... | 2 |
| 17 | 3256-23 | Washer, 5/16 SAE..... | 6 |
| 18 | 3296-47 | Nut, Nyloc 5/16-18 Thin..... | 4 |
| 19◆ | Kawasaki | Part No. 49019-7001 Fuel Filter..... | 1 |

◆ Refer to Engine Owner's manual. (Fuel filter **Must** be 15 Micron or smaller).

◇ Use Pro-Lock, Retaining Type (P/N 1-840023, .5ml tube) on stud threads, item #3 going into tanks.

ENGINE GROUP



| Item | Part No. | Description | Qty. |
|------|-------------|-------------------------------------|------|
| 1 | 1-303334 | Washer, Spring Disk 5/16..... | 4 |
| 2 | 1-513034 | Sleeve, Bearing..... | 2 |
| 3 | 1-513592 | Knob, Ball Red..... | 1 |
| 4 | 1-513593 | Knob, Ball Black..... | 1 |
| 5 | 1-603384 | Bushing, Idler Pivot..... | 1 |
| 6 | 1-603414 | Spring, Extension..... | 1 |
| 7 | 1-603610 | Washer, Spring Disk 7/16..... | 2 |
| 8 | 1-807513 | Bolt, Carriage #10-24 x 1/2..... | 4 |
| 9 | 13-2840 | Key, Machine 1/4 x 1/4 x 1 1/4..... | 1 |
| 10▼ | 92-6877 | Valve, Oil Drain..... | 1 |
| 11 | 3296-29 | Nut, Nyloc 5/16-18..... | 4 |
| 12▼ | 103-1966 | Adapter..... | 1 |
| 13 | 103-9356-03 | Stop, Clutch Rotation..... | 1 |
| 14 | 103-9377 | Belt, Hydro..... | 1 |
| 15 | 103-9401 | Pulley, Idler..... | 1 |

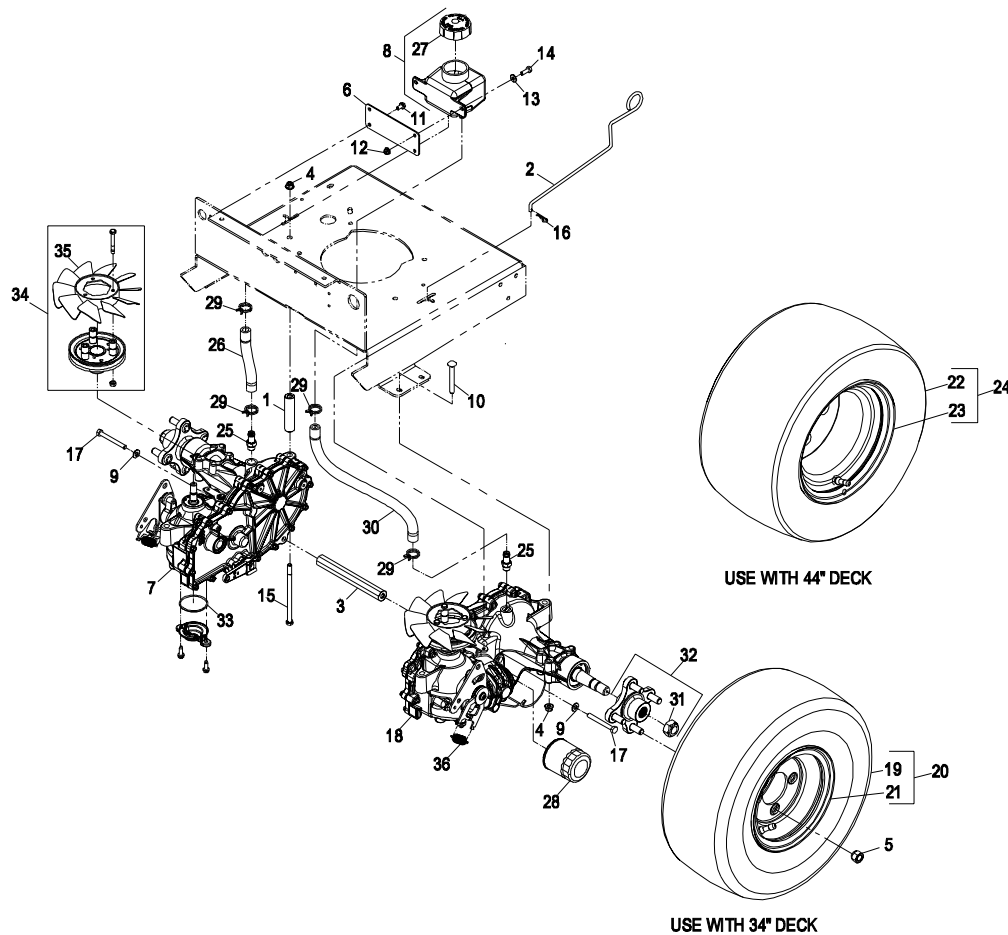
| Item | Part No. | Description | Qty. |
|------|----------|--------------------------------|------|
| 16 | 103-9946 | Asm, Throttle Control..... | 2 |
| 17 | 103-9950 | Clutch..... | 1 |
| 18 | 104-8301 | Nut, Nyloc 3/8-16 Flg..... | 1 |
| 19 | 106-7022 | Hose, Oil Drain..... | 1 |
| 20 | 109-0393 | Sheave..... | 1 |
| 21 | 3296-59 | Nut, Nyloc 3/8-16 Thin..... | 1 |
| 22 | 109-3119 | Asm, Idler Arm W/Bearings..... | 1 |
| 23 | 302-40 | Zerk, 90° 1/4-28..... | 1 |
| 24 | 322-9 | Screw, HH 5/16-18 x 1 3/4..... | 4 |
| 25 | 323-8 | Screw, HH 3/8-16 x 1 1/2..... | 1 |
| 26◆ | 3212-10 | Screw, HH 7/16-20 x 2 1/2..... | 1 |
| 27 | 3231-10 | Bolt, Carriage 3/8-16 x 3..... | 1 |
| 28 | 3256-4 | Washer, 3/8 Std..... | 2 |
| 29 | 3296-2 | Nut, Nyloc #10-24..... | 4 |

Exmark black touch up spray paint – gloss black.

▼ Use a Teflon Pipe Sealant or equivalent on threads.

◆ Use Pro-Lock, Nut Type (P/N 1-840022, .5ml tube) on clutch bolt.

TRANSAXLE GROUP



| Item | Part No. | Description | Qty. |
|------|-------------|---------------------------------|------|
| 1 | 103-9397 | Spacer, Hydro | 2 |
| 2 | 103-9380 | Rod, Hydro Bypass | 2 |
| 3 | 103-9398 | Spacer, Axle | 1 |
| 4 | 104-8300 | Nut, Nyloc 5/16-18 Flg | 6 |
| 5 | 242-50 | Nut, Lug 1/2-20 | 8 |
| 6 | 103-9350-03 | Plate, Tank Mount | 1 |
| 7* | 109-2240 | Asm, Transaxle (RH) | 1 |
| 8 | 109-2250 | Tank, Hydraulic | 1 |
| 9 | 98-5975 | Washer, Spring Disk 3/8 | 2 |
| 10 | 3230-9 | Bolt, Carriage 5/16-18 x 2 3/4 | 4 |
| 11 | 32144-4 | Screw, HWH 1/2-20 x 1/2 Taptite | 2 |
| 12 | 104-7201 | Nut, Nyloc 1/4-20 Flg | 2 |
| 13 | 3256-22 | Washer, 1/4 SAE | 2 |
| 14 | 321-4 | Screw, HH 1/4-20 x 3/4 | 2 |
| 15 | 322-49 | Screw, HH 5/16-18 x 5 1/2 | 2 |
| 16 | 1-806003 | Hairpin, Cotter | 2 |
| 17● | 323-11 | Screw, HH 3/8-16 x 2 1/4 | 2 |
| 18* | 109-2241 | Asm, Transaxle (LH) | 1 |
| 19 | 109-2594 | Tire, 18 x 7.00-8 4 Ply (34") | 2 |

| Item | Part No. | Description | Qty. |
|------|----------|------------------------------|------|
| 20 | 109-2595 | Asm, Wheel & Tire (34") | 2 |
| 21 | 109-2596 | Wheel (34") | 2 |
| 22 | 109-3043 | Tire, 18 x 9.5-8 4 ply (44") | 2 |
| 23 | 109-3044 | Wheel (44") | 2 |
| 24 | 109-3045 | Asm, Wheel & Tire (44") | 2 |
| 25 | 109-3278 | Adapter, Straight | 2 |
| | 1-603921 | O-Ring, SAE #6 | 2 |
| 26 | 109-3319 | Hose, Hydraulic | 1 |
| 27 | 109-3320 | Cap, Hydraulic Reservoir | 1 |
| 28 | 109-3321 | Filter, Hydraulic | 1 |
| 29 | 109-3322 | Clamp, Hose | 4 |
| 30 | 109-3459 | Hose, Hydraulic | 1 |
| 31 | 109-3536 | Nut, Hub | 1 |
| 32 | 109-3538 | Kit, Hub | 1 |
| 33 | 109-3540 | O-Ring, Charge Cover Seal | 1 |
| 34 | 109-3541 | Kit, Fan And Pulley | 1 |
| 35 | 109-3542 | Fan, 7"-10 Blade | 1 |
| 36 | 109-3543 | Spring, Extension | 1 |
| 37■ | 109-3537 | Kit, Seal | 1 |

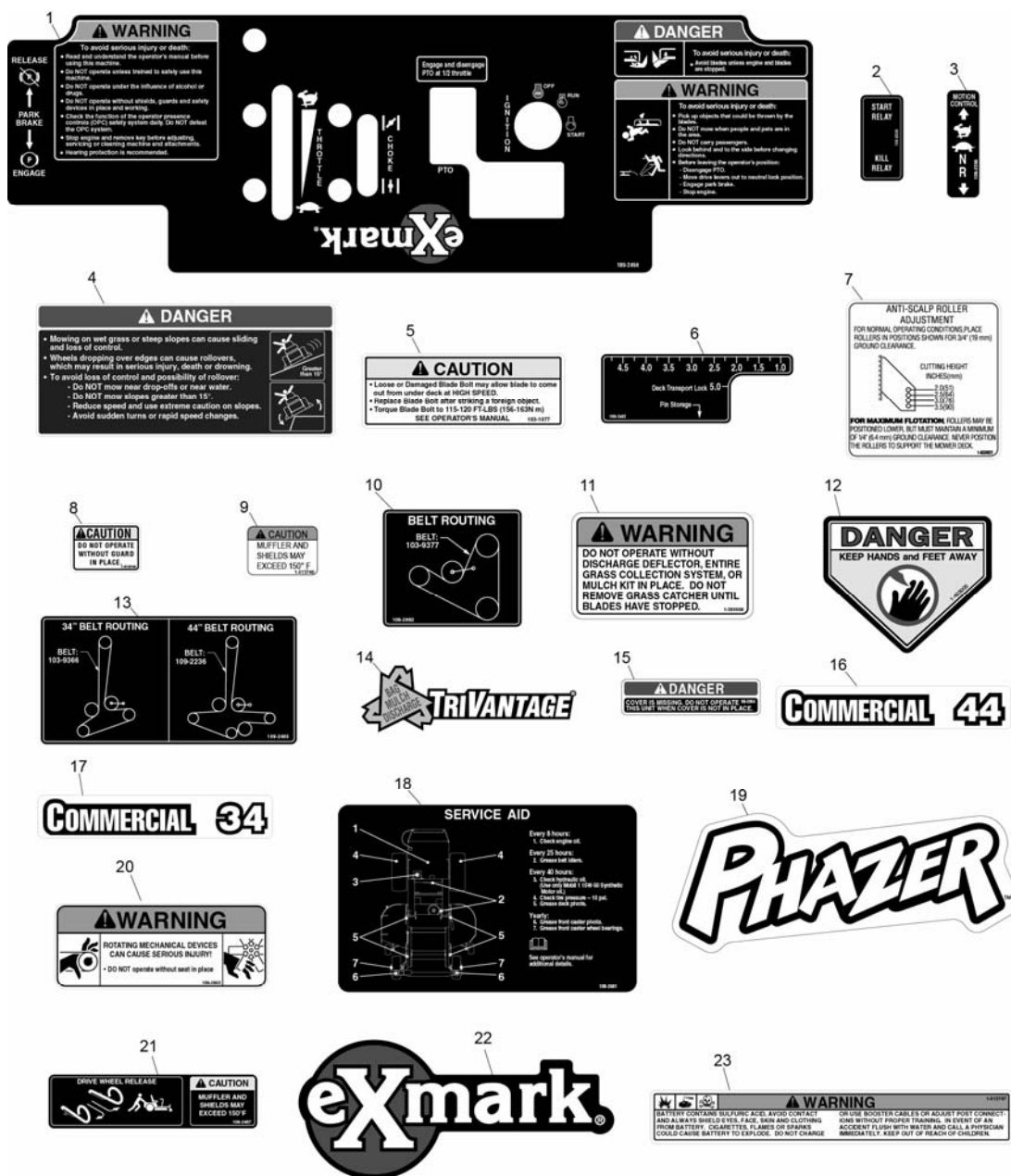
Exmark black touch up spray paint – gloss black.

* LH and RH transmission comes complete with items #28, #31, #32, #33, #34, #35, #36, & #37

● Use Pro-Lock, Nut type (P/N 1-840022, .5ml tube) screw.

■ Item not shown

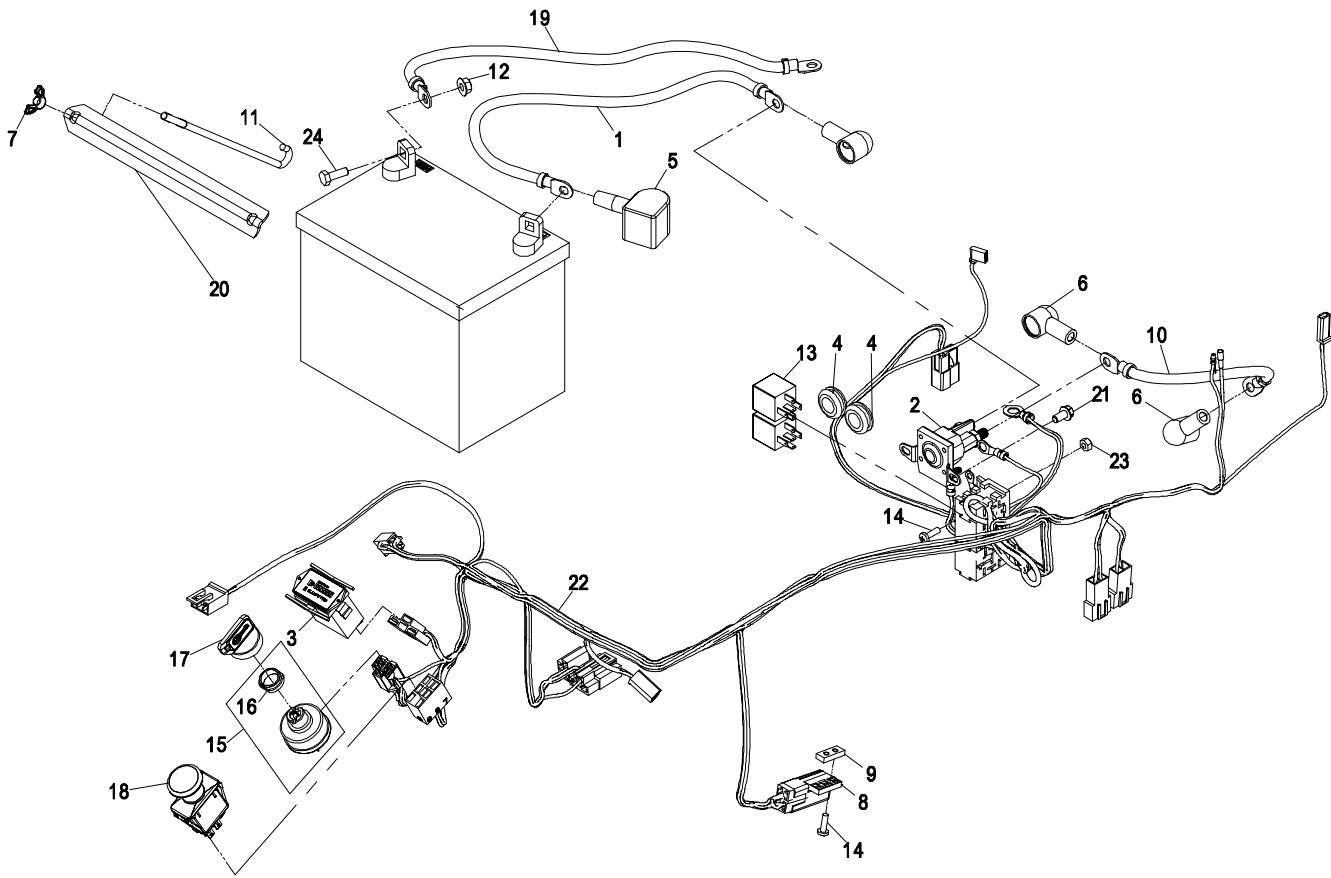
DECAL GROUP



| Item | Part No. | Description | Qty. |
|------|----------|------------------------------|------|
| 1 | 109-2494 | Decal, Console..... | 1 |
| 2 | 109-2539 | Decal, Relay | 1 |
| 3 | 109-2356 | Decal, Motion Control..... | 2 |
| 4 | 109-2490 | Decal, Danger Slope..... | 1 |
| 5 | 103-1077 | Decal, Bolt Torque | 1 |
| 6 | 109-2463 | Decal, Deck Height | 1 |
| 7 | 1-633922 | Decal, Anti-Scalp (44")..... | 1 |
| 8 | 1-513748 | Decal, Guard..... | 1 |
| 9 | 1-513746 | Decal, Muffer..... | 1 |
| 10 | 109-2992 | Decal, Belt Routing | 1 |
| 11 | 1-303508 | Decal, Warning Cover | 1 |
| 12 | 1-403005 | Decal, Danger..... | 2 |

| Item | Part No. | Description | Qty. |
|------|----------|---------------------------------|------|
| 13 | 109-2465 | Decal, Belt Routing 34/44 | 1 |
| 14 | 1-303520 | Decal, Trivantage..... | 1 |
| 15 | 98-5954 | Decal, Missing Cover..... | 3 |
| 16 | 1-523417 | Decal, Commercial 44..... | 1 |
| 17 | 109-2462 | Decal, Commercial 34..... | 1 |
| 18 | 109-2461 | Decal, Service Aid | 1 |
| 19 | 109-2466 | Decal, Phazer | 1 |
| 20 | 109-2862 | Decal, Rotating Devices..... | 1 |
| 21 | 109-2467 | Decal, Zt Dump..... | 2 |
| 22 | 103-3999 | Decal, Exmark Logo..... | 1 |
| 23 | 1-513747 | Decal, Battery | 1 |
| | 109-3530 | Decal Kit | |

ELECTRICAL GROUP

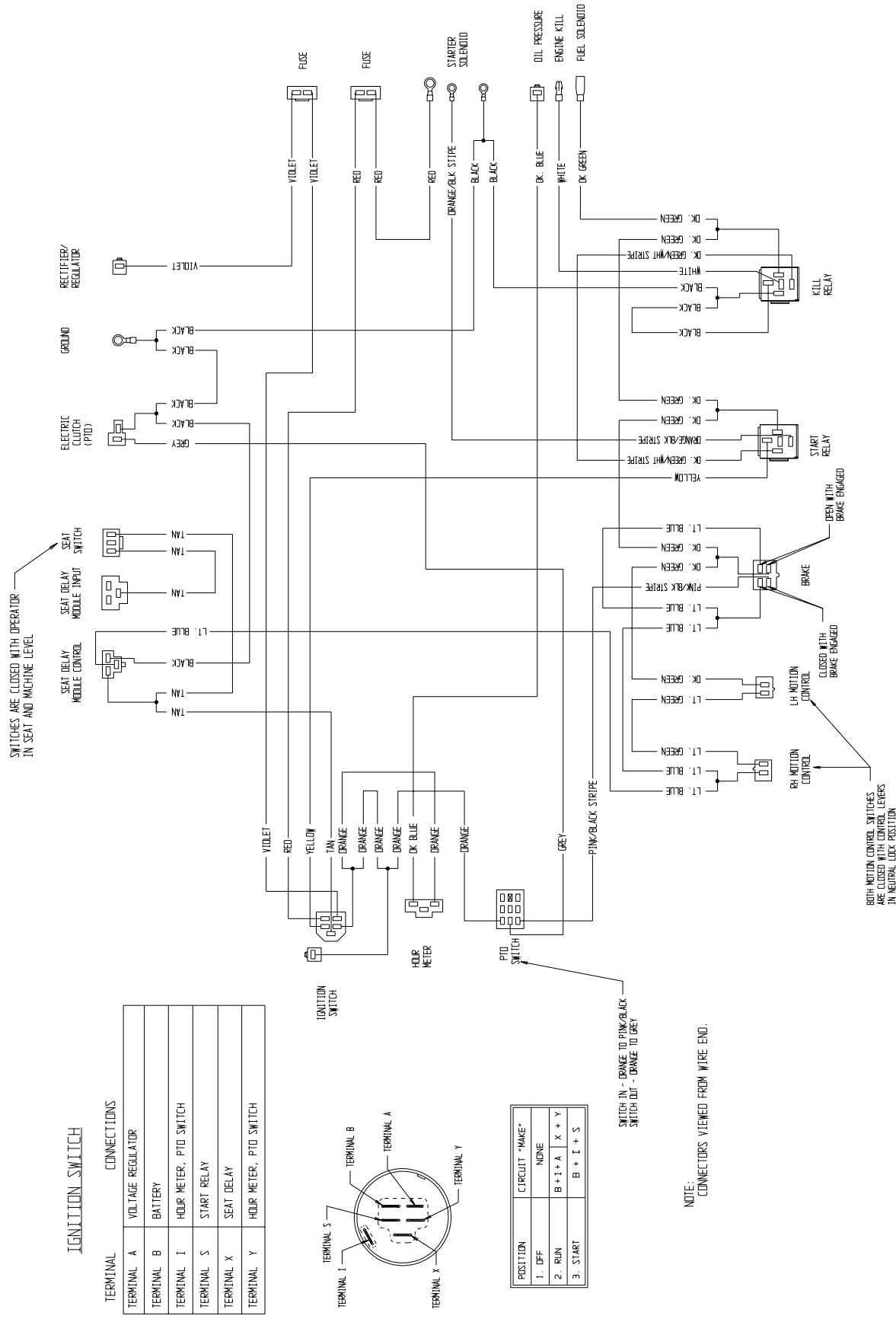


| Item | Part No. | Description | Qty. |
|------|----------|----------------------------------|------|
| 1 | 1-513053 | Wire, Battery Positive (+) | 1 |
| 2 | 1-513075 | Solenoid, Plastic | 1 |
| 3 | 1-513374 | Meter, Engine Hours | 1 |
| 4 | 1-543296 | Grommet..... | 2 |
| 5 | 1-543391 | Insulator, Battery..... | 1 |
| 6 | 1-543393 | Insulator, Solenoid | 3 |
| 7 | 1-543792 | Wingnut, Nyloc 1/4-20..... | 2 |
| 8 | 1-633111 | Switch | 1 |
| 9 | 1-633181 | Plate, Tapped..... | 1 |
| 10 | 1-633306 | Cable, Battery | 1 |
| 11 | 1-633651 | Bolt, Hold Down | 2 |
| 12 | 32128-33 | Nut, Whizlock 1/4-20..... | 2 |
| 13 | 1-643275 | Relay, 12VDC 40 Amp..... | 2 |

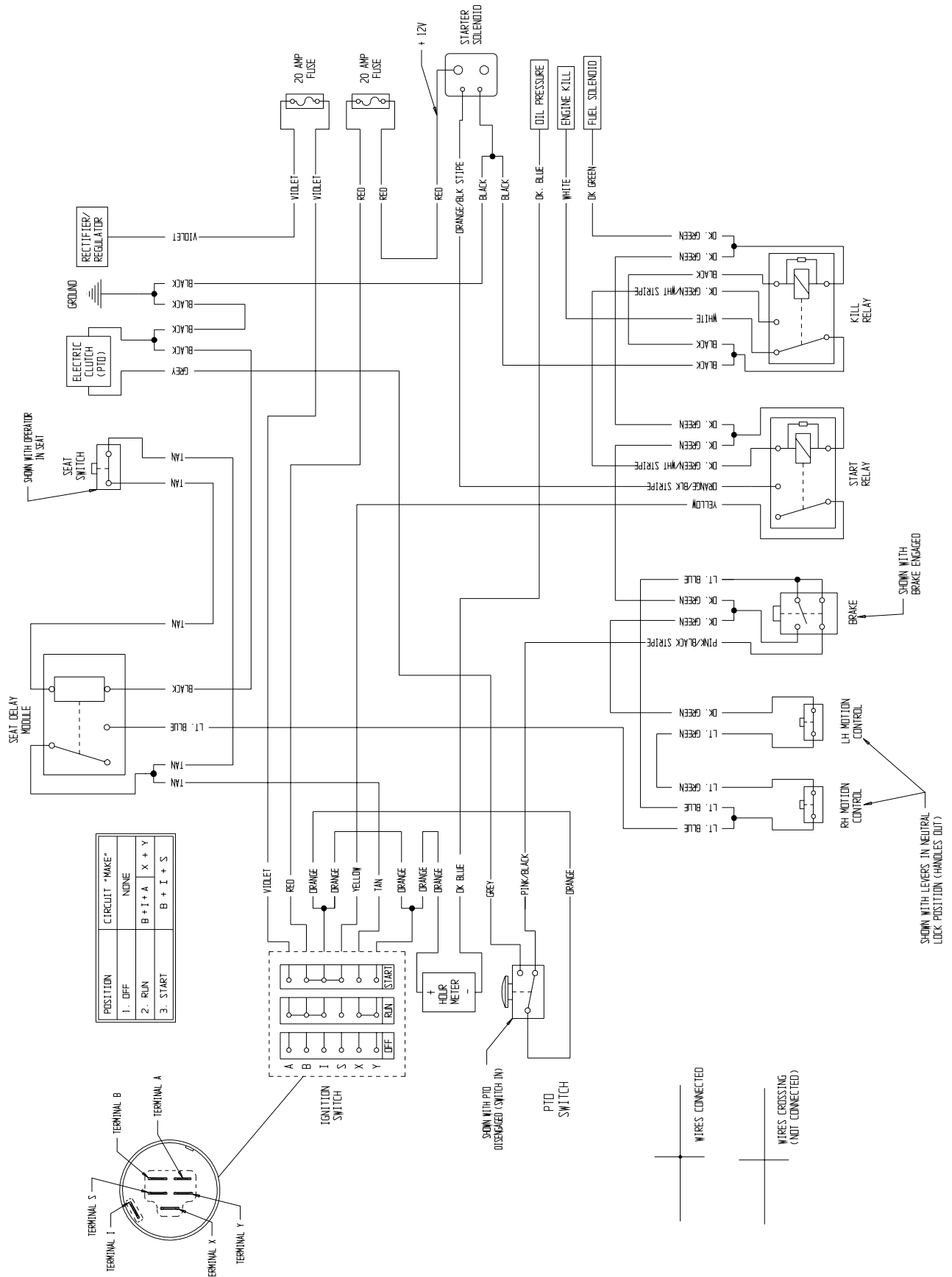
| Item | Part No. | Description | Qty. |
|------|-------------|--------------------------------------|------|
| 14 | 3290-500 | Screw, PPH #10-24 x 5/8..... | 4 |
| 15 | 109-4736 | Asm, Switch W/Nut | 1 |
| 16 | 103-0498 | Nut, Ignition | 1 |
| 17 | 103-2106 | Key, Exmark Logo | 1 |
| | 1-603511 | Key, Ignition..... | 1 |
| 18 | 103-5221 | Switch, PTO..... | 1 |
| 19 | 103-8355 | Cable, Ground(-)..... | 1 |
| 20 | 103-9944-03 | Strap, Battery..... | 1 |
| 21 | 32144-4 | Screw, HWH 1/2-20 x 1/2 Taptite..... | 2 |
| 22 | 109-4112 | Harness, Wiring | 1 |
| 23 | 3296-2 | Nut, Nyloc #10-24 | 2 |
| 24 | 321-4 | Screw, HH 1/4-20 x 3/4..... | 2 |

◆ Use dielectric grease on all wiring harness connectors
Exmark black touch up spray paint – gloss black.

ELECTRICAL DIAGRAM



ELECTRICAL SCHEMATIC



| POSITION | CIRCUIT "MAKE" |
|----------|-----------------|
| 1. OFF | NONE |
| 2. RUN | B + I + A X + Y |
| 3. START | B + I + S |

SEE EXMARK'S COMPLETE LINE OF ACCESSORIES

RIDING ACCESSORIES

CUSTOM RIDE SEAT SUSPENSION SYSTEM
DECK LIFT ASSIST KIT
HITCH KIT
LIGHT KIT
MICRO-MULCH SYSTEM
ROLL OVER PROTECTION SYSTEM (ROPS)
SNOW BLADE
SUN SHADE
TRASH CONTAINER
TURF STRIPER
ULTRA VAC COLLECTION SYSTEM
ULTRA VAC QUICK DISPOSAL SYSTEM

WALK BEHIND ACCESSORIES

GRASS CATCHER
MICRO-MULCH SYSTEM
STEERABLE SULKY
SULKY HITCH KIT
TURF STRIPER
STANDON

Check us out on the Web:
www.exmark.com

© 2006 EXMARK MFG. CO. INC.
INDUSTRIAL PARK BOX 808
BEATRICE, NE 68310

PART NO. 109-4355 Rev. A
(402) 223-6300
FAX (402) 223-5489

ALL RIGHTS RESERVED

PRINTED IN U.S.A.

