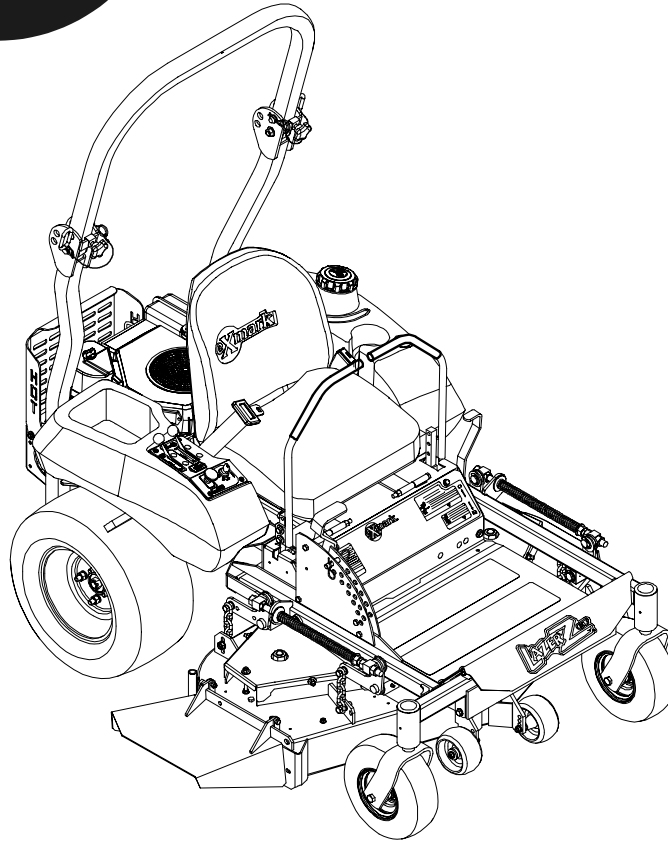


For Serial Nos.
600,000 & Higher



PARTS MANUAL

LAZER Z[®] CT

CONGRATULATIONS on the purchase of your new Exmark mower. This product has been carefully designed and manufactured to give you a maximum amount of dependability and years of trouble-free operation. If additional information is needed, or should you require trained mechanic service, contact your authorized Exmark equipment dealer or distributor. If you need to order replacement parts from your dealer, always give the model number and serial number of your mower as well as the part number, description and quantity of the part needed.

The Serial No. plate is located on the right side of the console. For ease of ordering and reference, we suggest that you record the information requested in the following identification table.

Place Model No. and Serial No. Label Here (Included in Literature Pack) or Fill in Below
Model No. _____
Serial No. _____

Engine Model No. and Spec. No. (Code) _____

Engine Serial No. (E/No) _____

Date Purchased _____

Part No. 109-2278 Rev. B

EXMARK PARTS PLUS® PROGRAM

EFFECTIVE DATE: September 1, 1995

Program

If your Exmark dealer does not have the Exmark part in stock, Exmark will get the parts to the dealer the next business day or the part will be FREE* Guaranteed!!

How the Program Works

1. If dealer does not have part in stock for a "down" unit at the time of request by customer, the dealer contacts his distributor by 1:00 p.m., local time, and requests Exmark Parts Plus® shipment of six (6) line items or less.
2. Distributor ships part(s) to dealer or customer, as requested by dealer, same day, overnight UPS. Distributor bills dealer for part and freight charges where applicable.
3. If distributor does not have the part(s) in stock to satisfy Exmark Parts Plus® order, he contacts Exmark by 3:00 p.m., central time, with an Exmark Parts Plus® order of six (6) line items or less.
4. If order is received by 3:00 p.m. central time, Exmark ships part(s) direct to dealer or customer, as requested by distributor, same day, overnight UPS. Exmark bills the distributor for parts and shipping charges, where applicable.
5. The customer pays for the part and freight if it is shipped under the Exmark Parts Plus® and if it arrives in accordance to the program.
6. Who pays for the part and freight if it fails to arrive overnight in accordance to the program?
 - A. Under any circumstance the customer does not pay.
 - B. If the part does not arrive overnight due to:
 1. The dealer not submitting the Exmark Parts Plus® order to his Exmark distributor by 1:00 p.m., the dealer pays for the part and freight.
 2. The Distributor being unable to ship the part the same day or not submitting the Exmark Parts Plus® order to Exmark by 3:00 p.m., central time, the Distributor pays for the part and freight.
 3. Exmark being unable to ship the part and the Exmark parts order is received by 3:00 p.m., central time, Exmark pays for the part and freight.
 4. If the part does not arrive overnight due to the shipper (UPS), the shipper pays for the freight and Exmark pays for the part.



The following restrictions apply -- The Exmark Parts Plus® Program is available only through participating Exmark Dealers and applies only to orders submitted on this program Monday through Thursday. Parts Plus service is available only in the contiguous 48 United States. UPS has initiated a Saturday delivery program to many areas of the continental United States and can be requested for an overnight shipment on Friday to be delivered Saturday. The next day air charge, plus the Saturday delivery fee will be the responsibility of the purchaser. Exmark Mfg. will assume no responsibility for Saturday delivery shipments. To qualify, all Exmark Parts Plus® orders must be received by Exmark by 3:00 p.m., central time. Orders must be six (6) line items or less. Exclusions from the Exmark Parts Plus® Program are: Any wholehood or accessory in its entirety, engines and engine replacement parts, 5-speed Peerless transmissions and 5-speed transaxles, hydraulic or hydrostatic wheel motors, cutter decks and engine decks or any item exceeding United Parcel Service size and weight restrictions.

Due to UPS restrictions, aerosol spray paint is considered a hazardous material and cannot be shipped via UPS next day or Second Day Air.

Exmark Manufacturing stocks a limited supply of parts for transaxles, pumps and wheel motors. These parts can be ordered for Next Day Air shipment but will not be guaranteed per the Parts Plus Program.



**READ OPERATOR'S MANUAL BEFORE
OPERATING OR SERVICING EXMARK EQUIPMENT**

TABLE OF CONTENTS

<u>Description</u>	<u>Page</u>
48", 52" & 60" Deck Group.....	3-4
Decal Group	17-18
Electrical Diagrams.....	20
Electrical Group	19
Electrical Logic Schematics	21
Engine Group	13-14
Front Frame Group	5-6
Fuel Group.....	12
Hydraulic Group.....	15-16
Main Frame Group.....	7-8
Motion Control Group	11
Park Brake Group (Type A)	9
Park Brake Group (Type B)	10

48", 52" and 60" DECK GROUP

Item	Part No.	Description	Qty.
1	3296-29	Nut, Nyloc 5/16-18	8
2	3256-3	Washer, 5/16 Std	6
3	103-2970-01	Shield, Belt (48" & 52").....	2
	103-9281-01	Shield, Belt (60").....	2
4	32128-20	Nut, Whizlock 5/16-18	4
5	1-800017	Bolt, HH 5/16-18 x 3 1/4 Tap.....	2
6	3290-357	Nut, Whizlock 3/8-16 (48").....	9
	3290-357	Nut, Whizlock 3/8-16 (52").....	13
	3290-357	Nut, Whizlock 3/8-16 (60").....	12
7	3256-24	Washer, 3/8 SAE	2
8	1-613098	Pulley, Idler	2
9	1-413113	Bushing, Idler.....	2
10	323-11	Screw, HH 3/8-16 x 2 1/4	1
11	323-6	Screw, HH 3/8-16 x 1	1
12	98-5975	Washer, Spring Disk 3/8 (48").....	8
	98-5975	Washer, Spring Disk 3/8 (52" & 60").....	10
13	103-5668	Plate, Belt Guide	1
14	1-653190	Spacer	1
15	1-413099	Pulley, Idler	1
16	1-413308	Belt, Deck Drive (48").....	1
	1-653368	Belt, Deck Drive (52").....	1
	103-9273	Belt, Deck Drive (60").....	1
17	3296-39	Nut, Nyloc 3/8-16	21
18	103-3505	Seal, Double, Lip.....	1
19	103-2916	Guard, Top.....	1
20	103-3330	Spring, Extension.....	1
21	321-1	Screw, HH 1/4-20 x 3/8	1
22*	103-5698	Kit, Idler Arm W/Bearings	1
23●	1-603384	Bushing, Idler Pivot	1
24	1-800811	Screw, HH 7/16-14 x 1 1/2	8
25	32128-37	Nut, Whizlock 7/16-14	16
26	1-633447	Chain, Deck Lift.....	4
27	103-4382	Asm, Deck (103-3846-01) W/Decals (48").....	1
	103-6490	Asm, Deck (103-5250-01) W/Decals (52").....	1
	109-2557	Asm, Deck (103-8810-01) W/Decals (60").....	1
28	323-39	Screw, HH 3/8-16 x 5 Gr 5	1
29	323-13	Screw, HH 3/8-16 x 2 3/4	2
30	32128-33	Nut, Whizlock 1/4-20	1
31	103-3900	Spacer, Strut.....	4
32	322-2	Screw, HH 5/16-18 x 5/8 (48").....	2
	322-2	Screw, HH 5/16-18 x 5/8 (52" & 60")	3
33	99-2842	Spacer (48").....	3
	99-2842	Spacer (52").....	5
	99-2842	Spacer (60").....	4
34	3213-5	Screw, HH 1/2-20 x 2	3
35	1-603299	Roller, Anti-Scalp (48").....	3
	1-603299	Roller, Anti-Scalp (52").....	5
	1-603299	Roller, Anti-Scalp (60").....	6
36	63-8410	Washer (48").....	3
	63-8410	Washer (52" & 60").....	5

Item	Part No.	Description	Qty.
37	322-5	Screw, HH 5/16-18 x 1	2
38	1-402106-01	Wld, Chute Discharge (48").....	1
	1-652375-01	Wld, Chute Discharge (52").....	1
	109-2758-01	Wld, Chute Discharge (60").....	1
39	323-10	Screw, HH 3/8-16 x 2	2
40	63-8410	Washer	4
41	103-8280	Asm, Cutter Housing.....	3
42	103-9081	Asm, Cutter Housing Complete (48")	3
	103-9077	Asm, Cutter Housing Complete (52")	3
	109-2259	Asm, Cutter Housing Complete (60")	3
43□+	103-9071	Kit, Spindle	3
44	103-2535	Spacer, Guard Bottom	3
45	302-40	Zerk, 90° 1/4-28.....	1
46	1-522480-01	Baffle, Discharge (48").....	1
	1-602913-01	Baffle, Discharge (52" & 60").....	1
47▲	103-4366	Asm, Deck Complete (48").....	1
▲	103-5992	Asm, Deck Complete (52").....	1
▲	109-2558	Asm, Deck Complete (60").....	1
48★	3217-46	Nut, Hex 3/4-16 Heavy.....	3
49	103-2802	Washer, Spring Disc 3/4	3
50+	1-413424	Sheave, Blade Drive (48").....	3
	1-653386	Sheave, Blade Drive (52").....	3
	103-9272	Sheave, Blade Drive (60").....	3
51	323-7	Screw, HH 3/8-16 x 1 1/4.....	18
52+	103-1330	Guard, Bearing Top	3
53	1-807268	Key, Machine 1/4 x 3/16 x 1.....	3
54	1-513435	Washer, Spring Disc 1/2	3
55	103-6401	Blade, Notched (48").....	3
	103-6386	Blade, Low Lift (48").....	3
■	103-6391	Blade, Mulching (48").....	3
	103-6381	Blade, Solid (48").....	3
	103-6396	Blade, Extreme (48").....	3
	103-6402	Blade, Notched (52").....	3
	103-6387	Blade, Low Lift (52").....	3
■	103-6392	Blade, Mulching (52").....	3
	103-6382	Blade, Solid (52").....	3
	103-6397	Blade, Extreme (52").....	3
	103-6403	Blade, Notched (60").....	3
	103-6388	Blade, Low Lift (60").....	3
■	103-6393	Blade, Mulching (60").....	3
	103-6383	Blade, Solid (60").....	3
	103-6398	Blade, Extreme (60").....	3
56	103-4051	Kit, Antiscalp roller (48").....	3
	103-4051	Kit, Antiscalp roller (52").....	5
	103-4051	Kit, Antiscalp roller (60").....	4
57	103-3506	Seal, Single Lip.....	1
58	32120-10	Ring, Retaining	2
59	103-3504	Bearing, Spherical	2
60	106-7159	O-ring	2
61	1-603401	Spacer	1
62	103-3037	Bushing, Splined.....	3
63	323-28	Screw, HH 3/8-16 x 7 1/4 (60").....	1
64	98-5967	Spacer (60").....	1

Exmark red touch up paint (spray paint - P/N 1-850337 - .6 oz liquid bottle - P/N 103-9140).

■ Requires installation of Micro-Mulch accessory for proper mulching. Mulch kit P/N MK483Q (48"), MK523Q (52") & MK603Q (60").

+ Apply Mobil HTS grease (P/N 103-5217 1.5 oz packet) (or a food-grade anti-sieze) between the spindles & bearings and spindles & sheaves and under top bearing guard. DO NOT use a copper or nickel based anti-sieze.

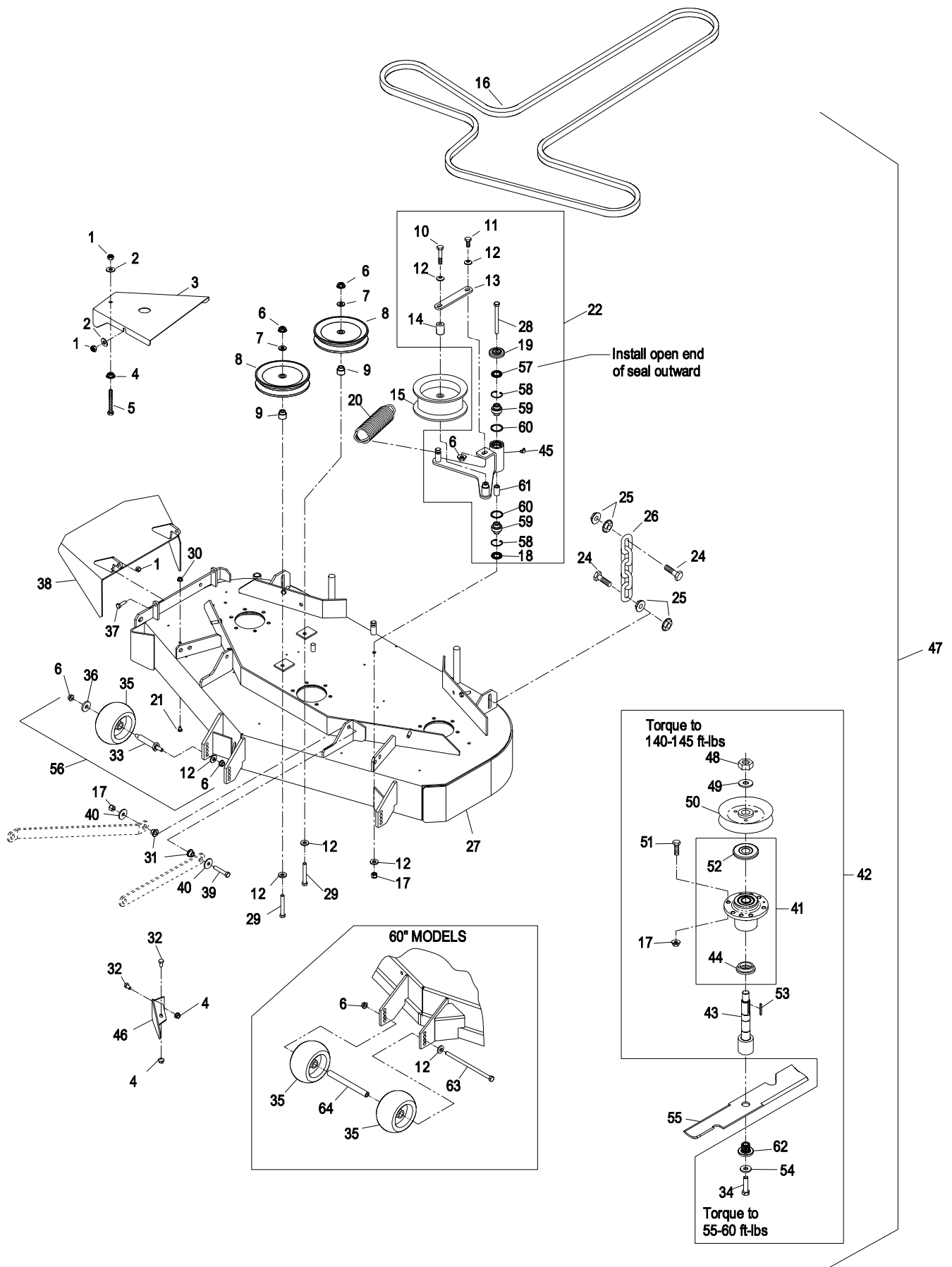
▲ Includes all item shown plus decals. Does not include struts.

* Idler arm kit also includes items #12 & #17.

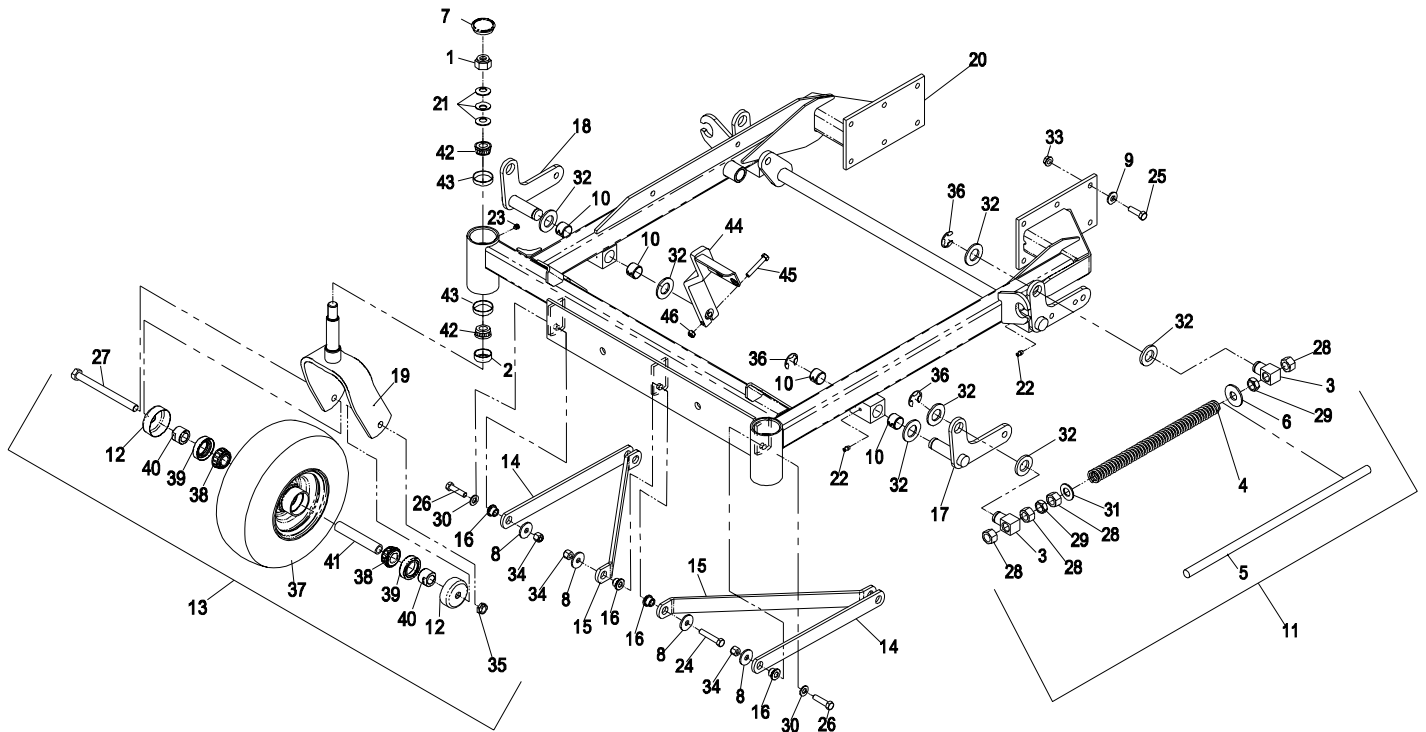
★ Use Pro-Lock, Nut Type (P/N 1-840022, .5ml tube) on nut Item #48

□ Kit includes items #34, #48, #49, #53, #54 & #62.

48", 52" and 60" DECK GROUP



FRONT FRAME GROUP



Item	Part No.	Description	Qty.
1	3296-51	Nut, Nyloc 3/4-10	2
2	1-543511	Seal, Grease	2
3	1-633441	Swivel, Deck Mount	4
4	1-653009	Spring, Deck Support	2
5	1-653011	Rod, Deck Lift	2
6	1-805517	Washer, 5/8 Type B Wide	2
7	103-4882	Cap, Grease	2
8	63-8410	Washer	4
9	98-5975	Washer, Spring Disk 3/8.....	12
10	103-1982	Bushing, Spring.....	4
11	103-1987	Asm, Front Spring	2
12	103-2768	Guard, Seal.....	4
13	103-3800	Asm, Wheel & Brgs 11x4-5	2
14	103-3898	Flat, Strut	2
15	103-3899	Flat, Strut Angle	2
16	103-3900	Spacer, Strut.....	4
17	103-3902-01	Wld, Shaft LH.....	1
18	103-3903-01	Wld, Shaft RH (48" & 52")	1
	103-4193-01	Wld, Shaft RH (60").....	1
19	103-8618-01	Wld, Caster Fork	2
20*	109-1881-01	Asm, Front Frame (48").....	1
*	109-1882-01	Asm, Front Frame (52").....	1
+	103-8685-01	Asm, Front Frame (60").....	1
21	1-633508	Washer, Spring Disk	6
22	302-19	Zerk 1/4-28 Str.....	4
23	1-811010	Plug	2

Item	Part No.	Description	Qty.
24	323-10	Screw, HH 3/8-16 x 2.....	1
25	323-7	Screw, HH 3/8-16 x 1 1/4.....	12
26	323-8	Screw, HH 3/8-16 x 1 1/2.....	2
27	325-20	Screw, HH 1/2-13 x 6.....	2
28	3217-11	Nut, Hex 5/8-11.....	8
29	3218-6	Nut, Jam 5/8-11	4
30	3256-24	Washer, 3/8 SAE	2
31	3256-27	Washer, 5/8 SAE	2
32	3256-29	Washer-Flat, 15/16 x 1 3/4 (48" & 52")... 10	
	3256-29	Washer-Flat, 15/16 x 1 3/4 (60")	11
33	3290-357	Nut, Whizlock 3/8-16.....	12
34	3296-39	Nut, Nyloc 3/8-16	3
35	3296-45	Nut, Nyloc 1/2-13	2
36	32151-103	E-ring (48" & 52").....	6
	32151-103	E-ring (60")	5
37	103-3151	Tire, 11" Pneumatic	2
38	1-633585	Bearing Cone, Tapered Roller	4
39	103-0063	Seal, Double Lip	4
40◆	103-3051	Spacer, Nut.....	4
41	103-3157	Axle, Caster	2
42	1-543509	Bearing Cone, Tapered Roller	4
43	1-543508	Bearing Cup, Tapered Roller	4
44●	103-1673-01	Wld, Foot Lift Lever (60")	1
45	322-10	Screw, HH 5/16-18 x 2 (60")	1
46	1-803013	Nut, Hex 5/16-18 Lock (60").....	1

Exmark red touch up paint (spray paint - P/N 1-850337 - .6 oz liquid bottle - P/N 103-9140).

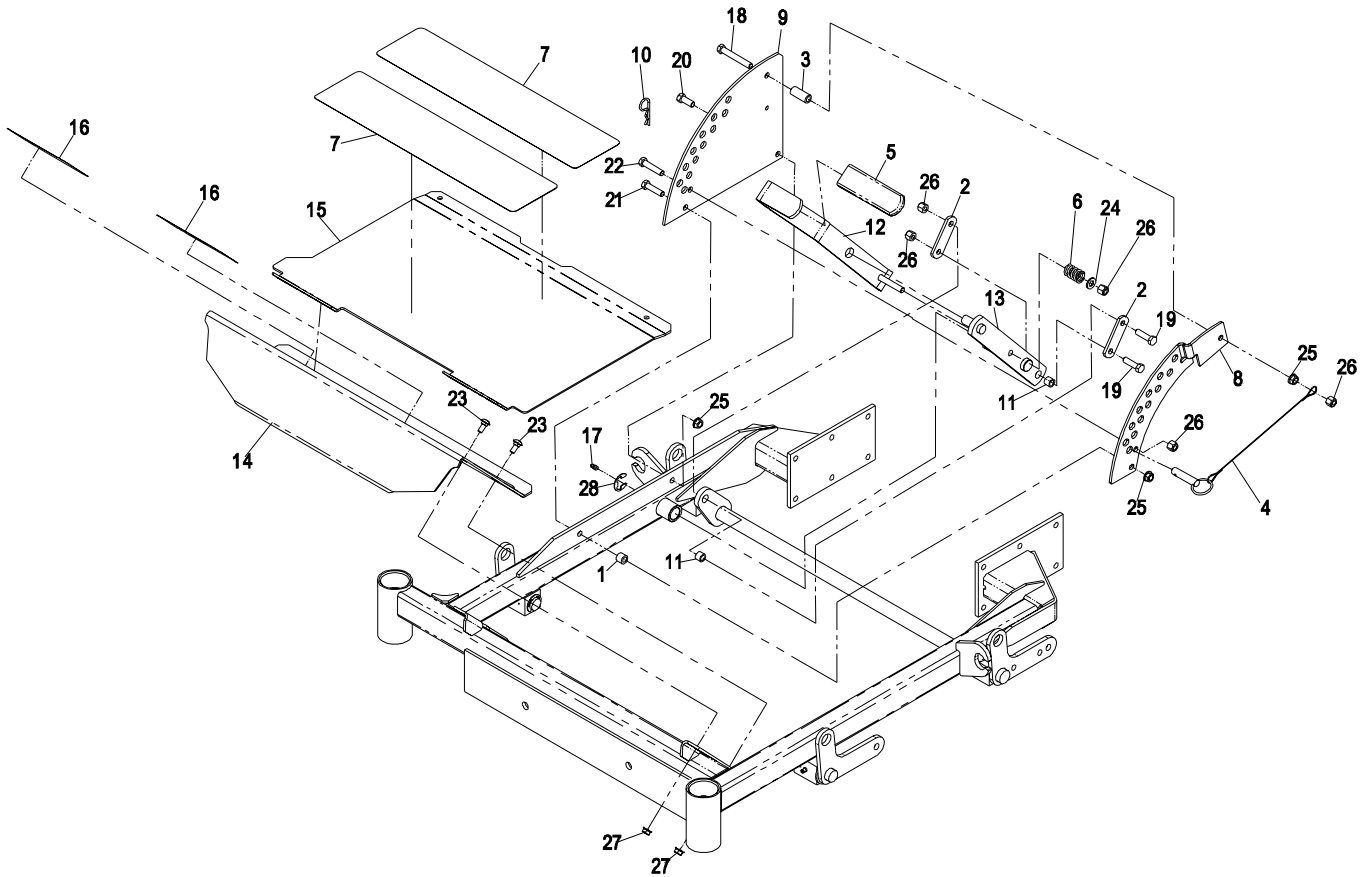
* Includes frame weldment, plus items #10, #17, #18, #22, #32(2) & #36(2). Does not include plug item #23.

+ Includes frame weldment, plus items #10, #17, #18, #22, #32(3), #36(1), #44, #45 & #46. Does not include plug item #23

◆ Use Pro-Lock, Nut Type (P/N 1-840022, .5ml tube) on spacer nut Item #40.

● Standard on 60" units. Optional on 48" & 52" units (Deck lift assist kit P/N 103-4192).

FRONT FRAME GROUP (cont.)



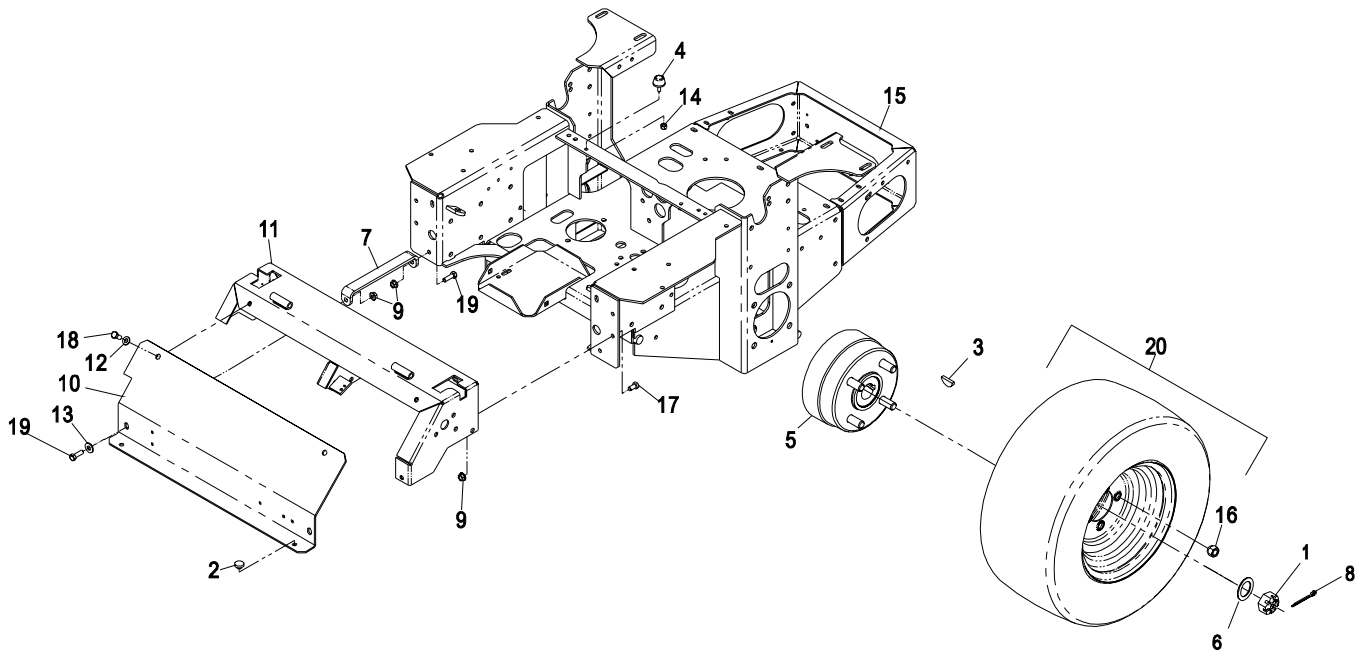
Item	Part No.	Description	Qty.
1	1-413088	Spacer	1
2	1-633068	Arm, Deck Lift	2
3	1-633082	Bushing, Lift Lever	1
4♦	1-633097	Pin, Hitch W/Laynard and Hairpin	1
5	1-633295	Grip, Lift Lever	1
6	1-633325	Spring, Compression.....	1
7	1-633553	Pad, Anti Skid	2
8	108-7755-01	Deck Lift Plate.....	1
9	1-653230-01	Plate, Deck Lift.....	1
10	1-806005	Hairpin Cotter.....	1
11	103-1918	Bushing.....	2
12	103-2081	Asm, Lift Lever W/Grip	1
13	103-3718 -03	Wld, Deck Lift Arm	1
14	103-4315	Asm, Floorpan W/Decals & Pads	1

Item	Part No.	Description	Qty.
15	103-4316	Asm, Floorpan W/Decals & Pads.....	1
16	106-6572	Pad, Anti Skid	2
17	302-19	Zerk 1/4-28 Str.....	1
18	323-13	Screw, HH 3/8-16 x 2 3/4.....	1
19	323-29	Screw, HH 3/8-16 x 1 3/8.....	2
20	323-6	Screw, HH 3/8-16 x 1.....	1
21	323-8	Screw, HH 3/8-16 x 1 1/2.....	1
22	323-9	Screw, HH 3/8-16 x 1 3/4.....	1
23	3230-1	Bolt, Carriage 5/16-18 x 3/4	4
24	3256-24	Washer, 3/8 SAE	1
25	3290-357	Nut, Whizlock 3/8-16.....	3
26	3296-39	Nut, Nyloc 3/8-16	5
27	32128-20	Nut, Whizlock 5/16-18.....	4
28	32151-103	E-ring.....	1

Exmark red touch up paint (spray paint - P/N 1-850337 - .6 oz liquid bottle - P/N 103-9140).

♦ Includes hitch pin plus hairpin item #10.

MAINFRAME GROUP

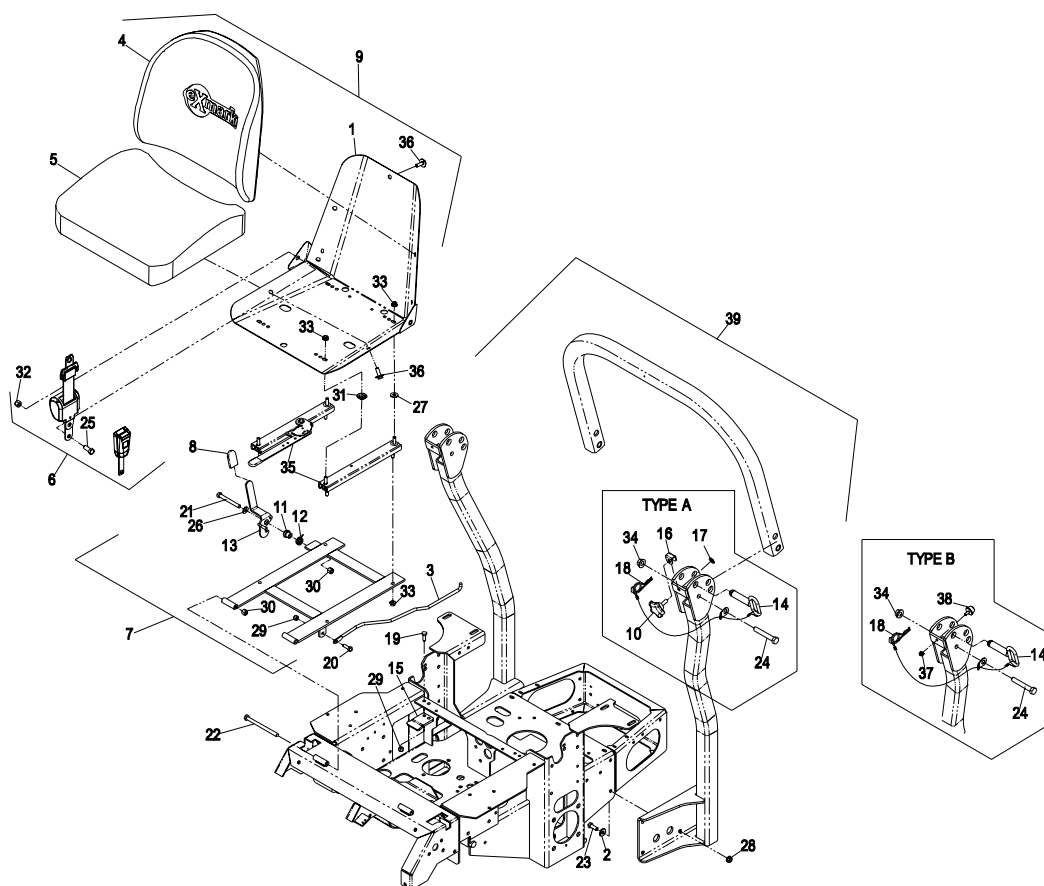


Item	Part No.	Description	Qty.
1	1-809036	Nut, Slotted 1-20	2
2	1-513658	Bumper	2
3	3257-42	Key, Woodruff 5/16 x 1	2
4	1-523420	Bumper	2
5	103-0590	Hub, W/Studs	2
	1-633926	Studs, Wheel 1/2-20	8
6	1-523157	Washer, Spacer	2
7	1-653089-03	Bracket, Instrument Panel	1
8	1-806800	Pin, Cotter 9/64 x 1 1/2	2
9	32128-20	Nut, Whizlock 5/16-18	8
10	109-2520	Asm, Panel W/Decals	1
11	109-2164	Asm, Console W/Decals	1

Item	Part No.	Description	Qty.
12	3256-23	Washer, 5/16 SAE	2
13	3256-3	Washer, 5/16 Std	2
14	32128-33	Nut, Whizlock 1/4-20	2
15	109-0620-03	Wld, Mainframe	1
16	242-50	Nut, Lug 1/2-20	8
17	322-2	Screw, HH 5/16-18 x 5/8	6
18	322-3	Screw, HH 5/16-18 x 3/4	3
19	322-5	Screw, HH 5/16-18 x 1	2
20	1-543396	Asm, Wheel & Tire	2
	1-513042	Wheel	2
	1-543680	Tire, 20 x 10.00-8 4 ply	2

Exmark black touch up spray paint – gloss black.

MAINFRAME GROUP (cont.)



Item	Part No.	Description	Qty.
1	1-633859	Frame, Seat.....	1
2	98-5975	Washer, Spring Disk 3/8.....	8
3	103-1731	Rod, Seat Retainer.....	1
4	103-3520	Seat, Back	1
5	103-3521	Seat, Bottom	1
6	110-0883	Asm, Seat Belt	1
7	103-4423	Asm, Seat Frame	1
8	103-4434	Grip, Lever.....	1
9●	103-4883	Asm, Seat	1
10	106-0887	Knob (Type A).....	2
11	107-0075	Bushing, Latch	1
12	107-0076	Spring, Torsion.....	1
13	107-3083	Latch.....	1
14◆	103-4553	Asm, Rops Fold Pin	2
15	103-5961	Catch, Seat Latch	1
16	107-3124	Clip (Type A).....	2
17	107-3154	Nut, Push 3/8-16 (Type A).....	2
18	107-3155	Cotter, Hairpin Double Loop	2
19	322-4	Screw, HH 5/16-18 x 7/8.....	2
20	322-5	Screw, HH 5/16-18 x 1	1

Item	Part No.	Description	Qty.
21	323-20	Screw, HH 3/8-16 x 3-1/4.....	1
22	323-39	Screw, HH 3/8-16 x 5.....	2
23	323-6	Screw, HH 3/8-16 x 1.....	8
24	325-13	Screw-HH 1/2-13 x 3 1/4.....	2
25	3212-4	Screw-HH 7/16-20 x 1.....	2
26	3256-24	Washer, 3/8 SAE	1
27	3256-3	Washer, 5/16 Std	2
28	3290-357	Nut, Whizlock 3/8-16.....	8
29	3296-29	Nut, Nyloc 5/16-18	3
30	3296-39	Nut, Nyloc 3/8-16	3
31	1-543401	Spacer, Seat Track	2
32	3296-7	Nut, Nyloc 7/16-20	2
33	32128-20	Nut, Whizlock 5/16-18.....	8
34	32128-23	Nut, Hex Flange Side Lock 1/2-13	2
35	1-643255	Track, Seat (4" Adjustable)	1
	103-8386	Spring, Seat Rail.....	1
36	103-8383	Bolt, Seat Cushion	5
37	3296-73	Nut, Nyloc 1/4-20 (Type B).....	1
38	109-2365	Bumper (Type B)	1
39+	FRPSL	Kit, Rops LHP	1

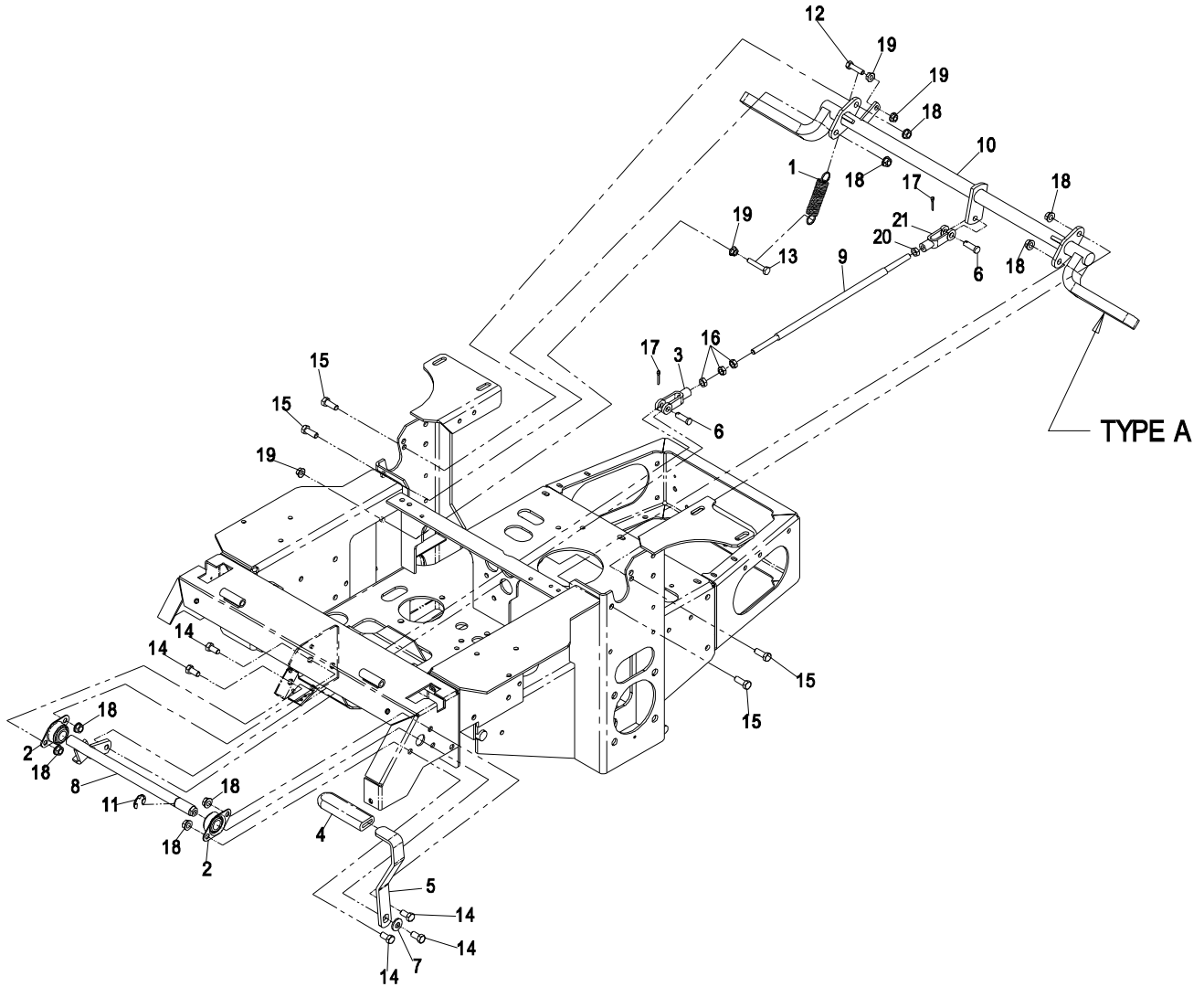
Exmark black touch up spray paint – gloss black.

◆ Includes ROPS fold pin plus hairpin item #18.

✚ Rollover protection frame is serviced as a complete assembly only. Includes complete ROPS frame, mounting hardware, fold pivot and locking hardware, seat frame assembly item #7, catch item #15, and seat belt assembly item #6.

● Includes tracks and seat back decal. Does not include seat belt.

PARK BRAKE GROUP (Type A)

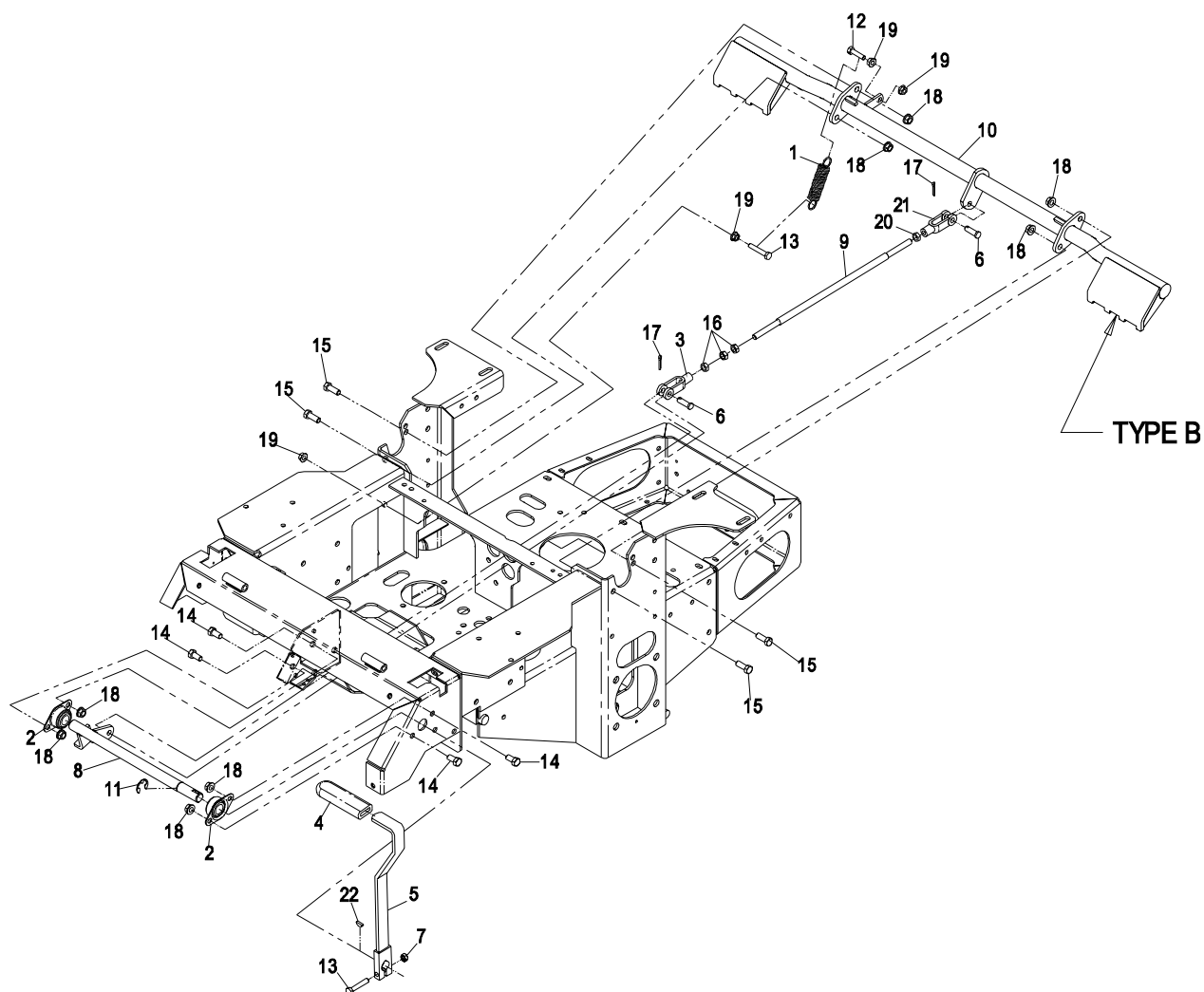


Item	Part No.	Description	Qty.
1	1-323161	Spring	1
2	1-633102	Bearing, Side Flange.....	2
3	1-633131	Yoke, 3/8-24 RH	1
4	1-633268	Grip.....	1
5	103-4630	Handle, Park Brake W/Grip	1
6	1-808285	Pin, Clevis 3/8 x 1 1/8	2
7	98-5975	Washer, Spring Disk 3/8.....	1
8	103-3116	Wld, Brake Shaft	1
9	103-8408	Linkage	1
10	103-3960-03	Wld, Brake	1
11	32151-48	E-Ring.....	1

Item	Part No.	Description	Qty.
12	322-6	Screw, HH 5/16-18 x 1 1/4	1
13	322-9	Screw, HH 5/16-18 x 1 3/4	1
14	323-4	Screw, HH 3/8-16 x 3/4	5
15	323-6	Screw, HH 3/8-16 x 1	4
16	3219-3	Nut, Hex 3/8-24 (RH)	3
17	3272-10	Pin, Cotter 1/8 x 3/4.....	2
18	3290-357	Nut, Whizlock 3/8-16.....	8
19	32128-20	Nut, Whizlock 5/16-18.....	4
20	3219-20	Nut, Hex 3/8-24 (LH).....	1
21	103-8407	Yoke, 3/8-24 (LH)	1

Exmark black touch up spray paint – gloss black.

PARK BRAKE GROUP (Type B)

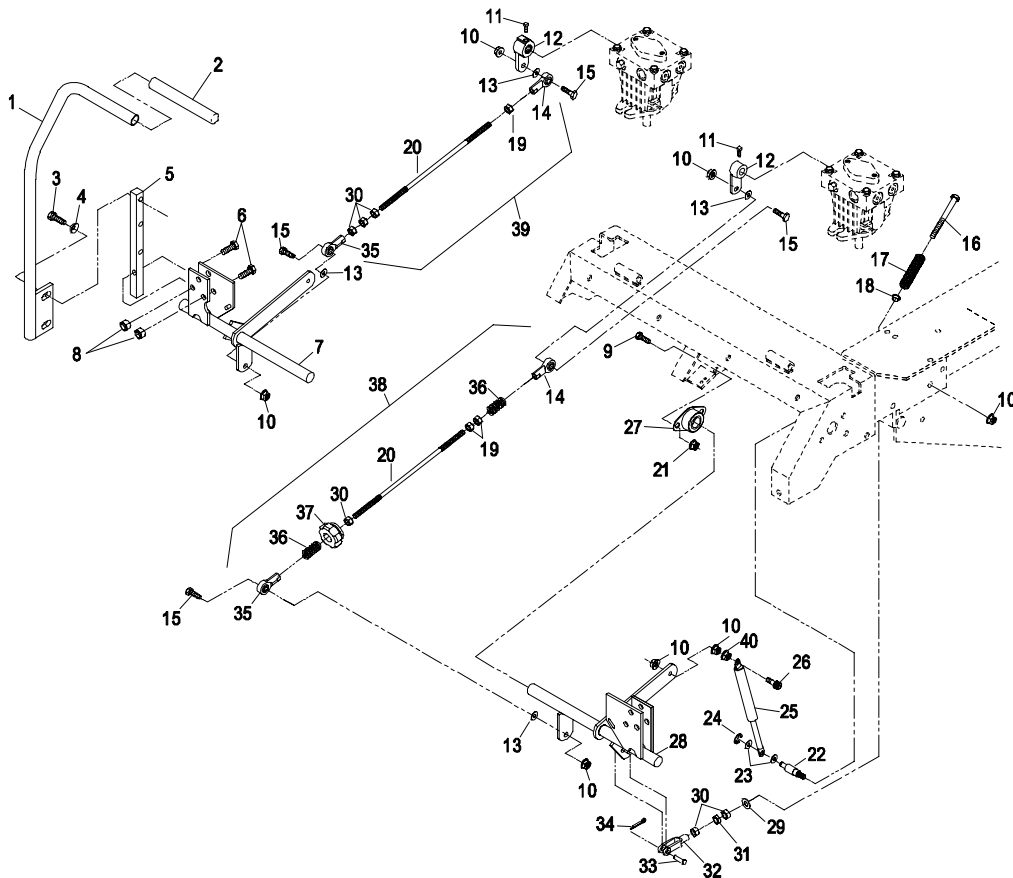


Item	Part No.	Description	Qty.
1	1-323161	Spring	1
2	1-633102	Bearing, Side Flange.....	2
3	1-633131	Yoke, 3/8-24 RH	1
4	1-633268	Grip.....	1
5	109-2543	Handle, Park Brake W/Grip	1
6	1-808285	Pin, Clevis 3/8 x 1 1/8	2
7	1-803013	Nut, Hex 5/16-18 Lock	1
8	109-2122	Wld, Brake Shaft	1
9	103-8408	Linkage	1
10	109-2129-03	Wld, Brake	1
11	32151-48	E-Ring.....	1

Item	Part No.	Description	Qty.
12	322-6	Screw, HH 5/16-18 x 1 1/4	1
13	322-9	Screw, HH 5/16-18 x 1 3/4	2
14	323-4	Screw, HH 3/8-16 x 3/4	4
15	323-6	Screw, HH 3/8-16 x 1	4
16	3219-3	Nut, Hex 3/8-24 (RH)	3
17	3272-10	Pin, Cotter 1/8 x 3/4	2
18	3290-357	Nut, Whizlock 3/8-16	8
19	32128-20	Nut, Whizlock 5/16-18	4
20	3219-20	Nut, Hex 3/8-24 (LH)	1
21	103-8407	Yoke, 3/8-24 (LH)	1
22	3257-32	Key, Woodruff 3/16 x 5/8	1

Exmark black touch up spray paint – gloss black.

MOTION CONTROL GROUP



Item	Part No.	Description	Qty.
1	103-0632	Handle W/Grip (RH).....	1
*	103-0631	Handle W/Grip (LH).....	1
2	1-633257	Grip, Motion Control Handle.....	2
3	323-6	Screw, HH 3/8-16 x 1.....	4
4	98-5975	Washer, Spring Disk 3/8.....	4
5	103-0407	Arm, Control Shaft.....	2
6	323-9	Screw, HH 3/8-16 x 1 3/4.....	6
7	103-4773	Bracket, Motion Control (RH).....	1
8	3296-39	Nut, Nyloc 3/8-16.....	6
9	323-4	Screw, HH 3/8-16 x 3/4.....	8
10	32128-20	Nut, Whizlock 5/16-18.....	10
11◆	1-803022	Setscrew, 5/16 x 5/8.....	2
12	103-3717	Arm, Pump Control.....	2
13	3256-3	Washer, 5/16 Std.....	4
14	1-633152	Balljoint (LH).....	2
15	322-6	Screw, HH 5/16-18 x 1 1/4.....	4
16	1-603737	Bolt, Neutral Return.....	2
17	1-603807	Spring.....	2
18	1-603735	Bushing, Flanged.....	2
19	1-804524	Nut, Hex 5/16-24 (LH).....	3
20	103-3066	Link, Pump Control.....	2

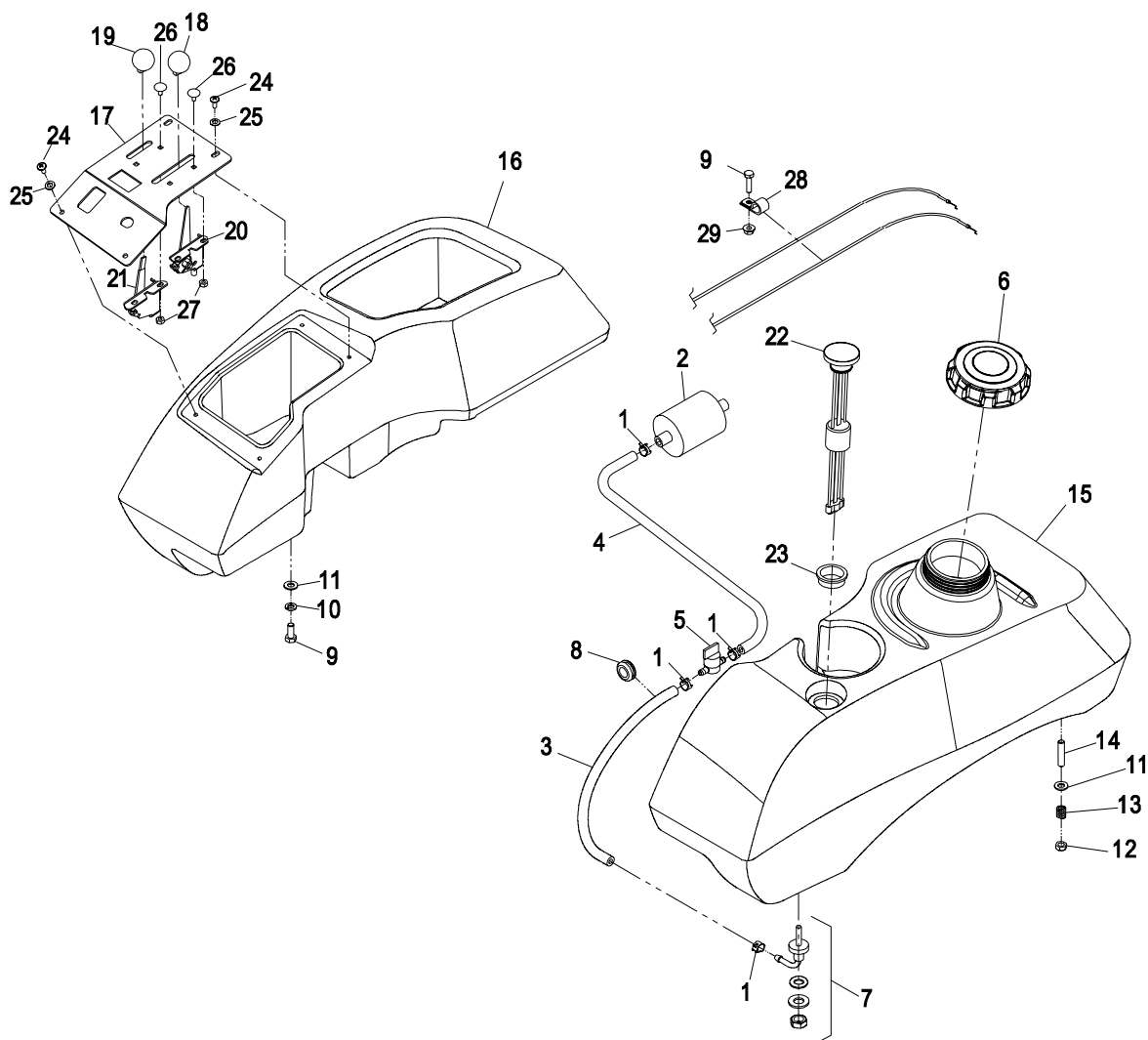
Item	Part No.	Description	Qty.
21	3290-357	Nut, Whizlock 3/8-16.....	8
22	103-4101	Pin, Damper Anchor.....	2
23	3256-23	Washer, 5/16 SAE.....	4
24	32120-35	E-Ring.....	2
25	103-4079	Damper.....	2
26	1-403180	Screw, HH 5/16-18 x 1 1/4 Sp.....	2
27	1-633102	Bearing, Flanged.....	4
28	103-4774	Bracket, Motion Control (LH).....	1
29	3256-2	Washer, 1/4 Std.....	2
30	3219-2	Nut, Hex 5/16-24.....	8
31	3220-2	Nut, Jam 5/16-24.....	2
32	1-303105	Yoke.....	2
33	1-808280	Pin, Clevis 5/16 x 1.....	2
34	3272-5	Pin, Cotter 3/32 x 1/2.....	2
35	1-543017	Balljoint (RH).....	2
36	1-323245	Spring, Compression.....	2
37	103-3060	Knob, Tracking.....	1
38	103-3063	Asm, Tracking.....	1
39	103-4327	Asm, Tracking.....	1
40	3217-6	Nut, Hex 5/16-18.....	4

Exmark black touch up spray paint – gloss black.

* Not Illustrated.

◆ Use Pro-Lock, Nut Type (P/N 1-840022, .5ml tube) on setscrews.

FUEL GROUP



Item	Part No.	Description	Qty.
1	1-303077	Clamp, Fuel Line.....	4
2◆	Briggs & Stratton Part No. 493629	Fuel Filter	1
3	109-0298	Fuel Line	1
4	109-0306	Fuel Line	1
5	1-603770	Valve, Fuel.....	1
6	109-0346	Cap, Fuel Tank	1
7▼	103-2605	Fitting, Fuel Bulkhead W/Strainer.....	1
	103-2784	O-Ring	1
8	1-543296	Grommet, Fuel Line	1
9	322-3	Screw, 5/16-18 x 3/4	5
10	1-805005	Washer, Lock 5/16	4
11	3256-23	Washer, 5/16 SAE.....	8
12	3296-47	Nut, Nyloc 5/16-18	4
13	1-633349	Spring, Fuel Tank.....	4
14◇	1-633023	Stud, Fuel Tank.....	4

Item	Part No.	Description	Qty.
15★	103-5995	Asm, Tank Fuel (LH).....	1
16●	109-0711	Asm, Tank (RH).....	1
17	109-0687	Asm, Control Panel W/Decals.....	1
18	1-513592	Knob, Red (Throttle)	1
19	1-513593	Knob, Black (Choke).....	1
20	103-3086	Cable, Throttle.....	1
21	103-4091	Cable, Choke.....	1
22	103-5797	Gage, Fuel.....	1
23	95-8972	Grommet	1
24■	109-2661	Screw, PPH #10-24 x 1/2.....	4
25	1-303435	Washer, Spring Disk 1/4	4
26	1-807513	Bolt, Carriage #10-24 x 1/2	4
27	3296-2	Nut, Nyloc #10-24	4
28	1-633396	Clip, Loom 5/8	1
29	32128-20	Nut, Whizlock 5/16-18.....	1

- ◇ Use Pro-Lock, Retaining Type (P/N 1-840023, .5ml tube) on stud threads going into tank.
- ◆ Refer to Engine Owner's manual. (Fuel filter **Must** be 15 Micron or smaller).
- ★ Includes tank, studs, cap, fitting and fuel gauge.
- Includes tank, studs, control panel and decal.
- ▼ Use Pro-Lock, Nut Type (P/N 1-840022, .5ml tube) on fuel fitting.
- Snug fit only on slotted holes, **Do Not Over tighten**, tank must be able to expand.

ENGINE GROUP

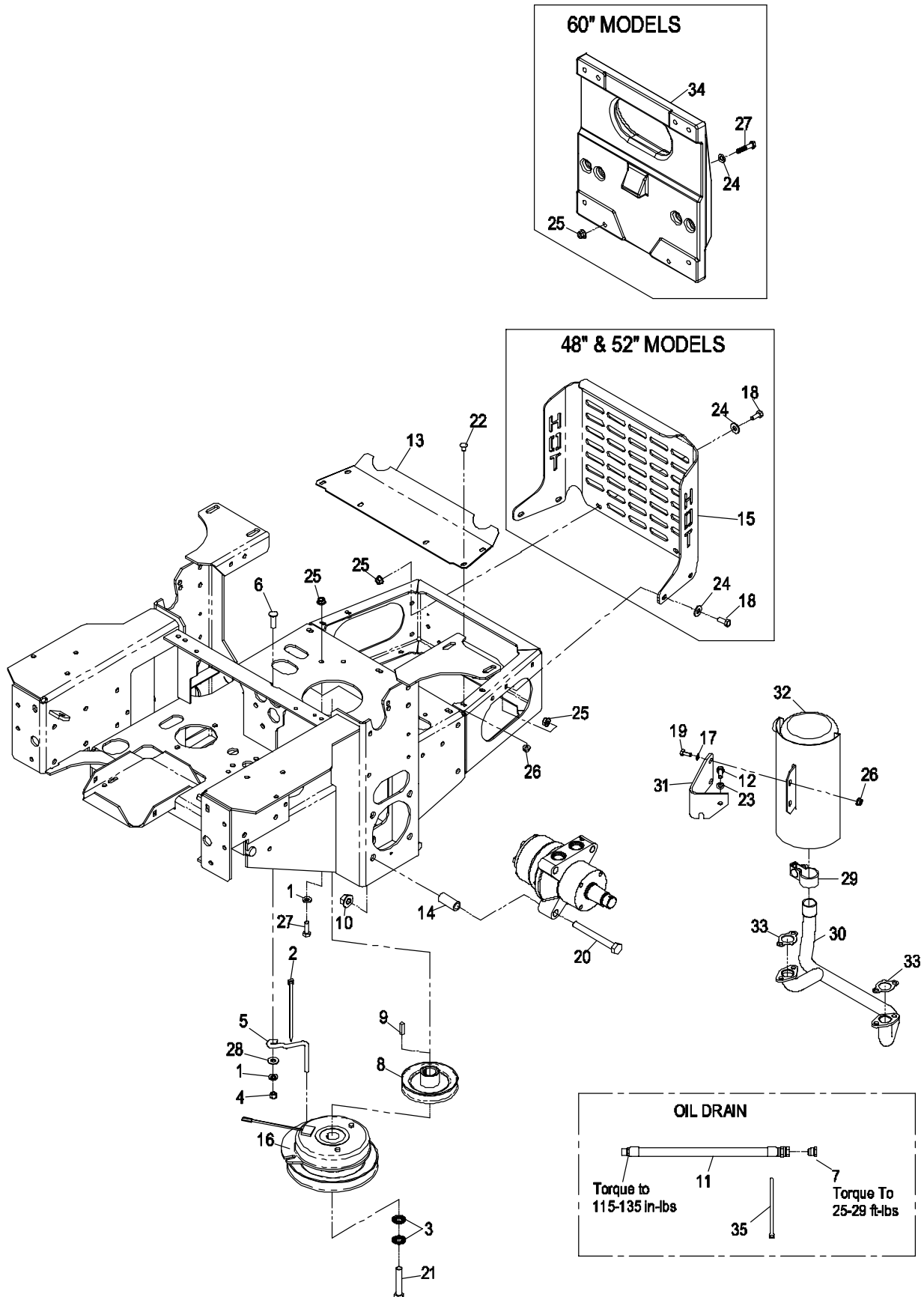
Item	Part No.	Description	Qty.
1	1-303334	Washer, Spring Disk 5/16.....	5
2	1-303335	Tie, Cable 7 15/16 (Large)	1
3	1-603610	Washer, Spring Disk 7/16.....	2
4	3296-29	Nut, Nyloc 5/16-18	1
5	108-1058	Rod, Belt	1
6	3230-3	Bolt, Carriage 5/16-18 x 1 1/4.....	1
7	109-1012	Plug	1
8	103-3913	Sheave, W/Hub.....	1
9	1-807259	Key, Machine 1/4 x 1/4 x 1	1
10	32128-49	Nut, Whizlock 1/2-13.....	8
11▼	109-2986	Asm, Oil Drain CT	1
12	33114-020	Screw, HH M8-1.25 x 20mm	2
13	103-2740-03	Deflector, Short.....	1
14	103-8503	Spacer, Wheel Motor (48" & 52").....	8
	1-633062	Spacer, Wheel Motor (60").....	8
15	103-4048-03	Bumper, Rear (48" & 52").....	1
16	104-3624	Clutch, Electric, PTO (48" & 52").....	1
	105-3630	Clutch, Electric, PTO (60")	1
17	1-303435	Washer, Spring Disk 1/4.....	2
18	322-3	Screw, HH 5/16-18 x 3/4 (48" & 52")	6
19	321-3	Screw, HH 1/4-20 x 5/8	2
20	325-18	Screw, HH 1/2-13 x 4 1/2 (48" & 52")	8

Item	Part No.	Description	Qty.
	325-22	Screw, HH 1/2-13 x 5 1/2 (60").....	8
21◆	3212-10	Screw, HH 7/16-20 x 2 1/2.....	1
22	3229-10	Bolt, Carriage 1/4-20 x 3/4	4
23	1-805005	Washer, Lock 5/16 Heavy	2
24	3256-23	Washer, 5/16 SAE (48" & 52")	6
	3256-23	Washer, 5/16 SAE (60").....	4
25	32128-20	Nut, Whizlock 5/16-18 (48" & 52").....	10
	32128-20	Nut, Whizlock 5/16-18 (60")	8
26	32128-33	Nut, Whizlock 1/4-20.....	6
27	322-7	Screw, HH 5/16-18 x 1 1/2 (48" & 52") ...	4
	322-7	Screw, HH 5/16-18 x 1 1/2 (60").....	8
28	3256-3	Washer, 5/16 Std.....	1
29	103-8368	Clamp, Muffler 1.25 Flat.....	1
30	103-7993	Manifold (18hp).....	1
	103-7992	Manifold (21hp & 23hp).....	1
31	103-8266-03	Bracket, Muffler.....	1
32	103-8106	Muffler	1
33	103-8361	Gasket (18hp).....	2
	103-8362	Gasket (21hp & 23hp).....	2
34	103-3107	Counterweight, 60# (60")	1
35	1-809066	Tie, Plastic 5/16-24".....	1

Exmark black touch up spray paint – gloss black.

- ▼ Use a Teflon Pipe Sealant or equivalent on threads of drain hose.
- ◆ Use Pro-Lock, Nut Type (P/N 1-840022, .5ml tube) on clutch bolt.

ENGINE GROUP



HYDRAULIC GROUP

Item	Part No.	Description	Qty.
1	103-1947	Asm, Reservoir W/Decal	1
2	103-1948	Cap, Hydraulic Reservoir	1
3	103-1949	Gasket, Reservoir Cap	1
4	321-6	Screw, HH 1/4-20 x 1	2
5	3256-22	Washer, Flat 1/4 SAE	2
6	103-3071-03	Wld, Reservoir Stand	1
7	103-1801	Adapter, Straight	1
	1-603921	O-Ring	1
8	103-1912	Adapter, Straight	1
	1-603921	O-Ring	1
9	103-1716	Clamp, Hose 17/32	3
10	103-1988	Clamp, Hose 11/16	3
11	103-3077	Asm, Supply Hose	1
12	103-2889	Asm, Filter Head	1
	103-1912	Adapter, Straight	2
	1-603921	O-Ring	1
13	321-3	Screw, HH 1/4-20 x 5/8	2
14	322-5	Screw, HH 5/16-18 x 1	1
15	1-805004	Washer, Lock 1/4 Heavy	2
16	1-513211	Element, Oil Filter	1
▼	1-523541	Element, Oil Filter (Winter)	1
17	103-2930	Asm, Charge Hose	1
18	103-2357	Asm, Case Drain Hose	1
19	103-4021	Hose, RH Rear (48" & 52")	1
	103-9282	Hose, RH Rear (60")	1
20	1-653187	Hose, RH Front (48" & 52")	1
	1-653437	Hose, RH Front (60")	1
21	1-633605	Elbow, 90°	4
	1-603919	O-Ring	1
	1-603992	O-Ring	1
22	103-5333	Motor, Wheel	2
23	103-1799	Elbow, 90°	2
	1-603921	O-Ring	1
24	1-807272	Key 5 x 5 x 25mm	2
25	103-1802	Elbow, 90°	2
	1-603921	O-Ring	1
26	322-3	Screw, HH 5/16-18 x 3/4	1
27	32128-20	Nut, Whizlock 5/16-18	2
28	103-1942	Pump, Hydro	2
	103-2664	Kit, Input Shaft 10A	1
	94-6922	Kit, Thrust Bearing 10A	1
	103-2666	Kit, Cylinder Block 10A	1
	105-6184	Kit, Overhaul Seal	1

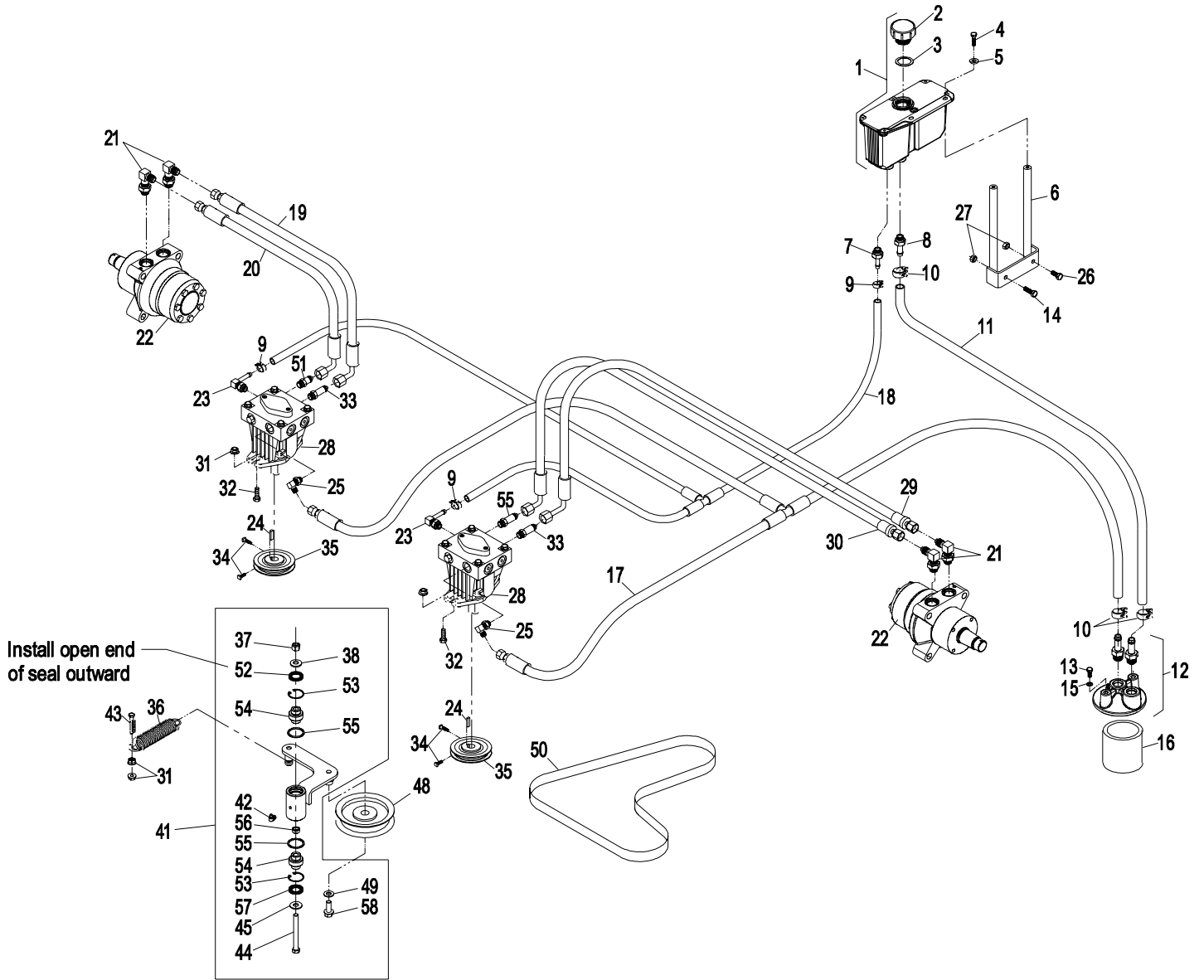
Item	Part No.	Description	Qty.
29	103-4022	Hose, LH Rear	1
30	1-653187	Hose, LH Front (48" & 52')	1
	1-653437	Hose, LH Front (60")	1
31	3290-357	Nut, Whizlock 3/8-16	6
32	323-7	Screw, HH 3/8-16 x 1 1/4	4
33	103-1940	Adapter, Straight Long	2
	1-603920	O-Ring	1
	1-603992	O-Ring	1
34◆	1-803050	Setscrew, 5/16-18 x 3/4	4
35	1-653156	Sheave, Pump Drive	2
36	103-1767	Spring	1
37	3296-39	Nut, Nyloc 3/8-16	1
38	98-5975	Washer, Spring Disk 3/8	1
39	3234-11	Screw, HH Whizlock 3/8-16 x 1	1
40	103-3505	Seal, Double, Lip	1
41	103-5699	Kit, Idler Arm W/Bearings	1
42	302-40	Zerk, 90° 1/4-28	1
43	323-9	Screw, HH 3/8-16 x 1 3/4	1
44	98-5961	Screw, HH 3/8-16 x 4 Gr 8	1
45	3256-4	Washer, 3/8 Std	1
46	103-5677	Spacer	1
47	106-7159	O-ring	2
48	1-603843	Pulley, Idler	1
49	3256-24	Washer, 3/8 SAE	1
50	103-4761	Belt, Pump	1
51	103-4020	Adapter, Straight	1
	1-603920	O-Ring	1
	1-603992	O-Ring	1
52	103-3506	Seal, Single Lip	1
53	32120-10	Ring, Retaining	2
54	103-3504	Bearing, Spherical	2
55	103-1940	Adapter, Straight Long	1
	1-603920	O-Ring	1
	1-603992	O-Ring	1

Exmark black touch up spray paint – gloss black.

▼ Use only for operation below 32°F (0°C)

◆ Use Pro-Lock, Nut Type (P/N 1-840022, .5ml tube) on setscrews.

HYDRAULIC GROUP



DECAL GROUP

Item	Part No.	Description	Qty.
1	103-4891	Decal, Console.....	1
2	107-2112	Decal, Danger Slope.....	1
3	1-523552	Decal, Hyd Tank/Hot Surface.....	1
4	103-2644	Decal, Exhaust system.....	1
5	103-7491	Decal, Bolt Torque.....	1
6	1-513742	Decal, No Step.....	2
7	1-633922	Decal, Anti-Scalp.....	1
8	1-513748	Decal, Guard.....	1
9	1-653147	Decal, Deck Height.....	1
10	1-513746	Decal, Muffler.....	1
11	103-9287	Decal, Belt Routing.....	1
12	1-303508	Decal, Discharge Warning.....	1
13	1-403005	Decal, Danger.....	2
14	1-303520	Decal, Trivantage.....	1

Item	Part No.	Description	Qty.
15	98-5954	Decal, Missing Cover.....	2
16	1-403131	Decal, Commercial 48.....	1
17	103-4112	Decal, LCT Model.....	1
18	107-2102	Decal, Rops Folding.....	1
19	103-9116	Decal, Check Service.....	1
20	103-2882	Decal, Exmark Logo.....	1
21	1-403132	Decal, Commercial 52.....	1
22	1-613050	Decal, Commercial 60.....	1
23	109-1196	Decal, Ignition/PTO.....	1
24	103-4892	Decal, Throttle.....	1
25	103-4930	Decal, Choke.....	1
26	108-5995	Decal, Top Console.....	1
	103-5996	Decal Kit	

DECAL GROUP

1

RELEASE
↑
PARK BRAKE
↓
ENGAGE

⚠ DANGER
To avoid serious injury or death:
• Avoid blades unless engine and blades are stopped.

⚠ WARNING
To avoid serious injury or death:
• Pick up objects that could be thrown by the blades.
• Do NOT mow when people and pets are in the area.
• Do NOT carry passengers.
• Look behind and to the side before changing directions.
• Before leaving operator's position:
- Disengage PTO,
- Move drive levers out to neutral lock position.
- Engage park brake.
- Stop engine.

⚠ WARNING
To avoid serious injury or death:
• Read and understand the operator's manual before using this machine.
• Do NOT operate unless trained to safely use this machine.
• Do NOT operate under the influence of alcohol or drugs.
• Do NOT operate without shields, guards, and safety devices in place and working.
• Check the function of the operator presence controls (OPC) safety system daily. Do NOT defeat the OPC system.
• Stop engine and remove key before adjusting, servicing, or cleaning machine and attachments.
• Hearing protection is recommended.

↑ CUTTING HEIGHT ↓

exmark

103-4691

2

⚠ WARNING

Operating on wet grass or steep slopes can cause sliding and loss of control.
• Wheelbarrow edges can cause rollovers, which may result in serious injury, death or drowning.
• To avoid loss of control and possibility of rollover:
- Do NOT operate near ditches or near water.
- Do NOT operate on slopes greater than 15°. Reduce speed and use extreme caution on slopes.
• Avoid sudden turns or rapid speed changes.
• There is no roll over protection when the roll bar is down.
• Always keep roll bar in the raised and locked position and use seat belt.
• Read and follow rollover protection instructions and warnings.

Greater than 15°

3

HYDRAULIC OIL - USE ONLY
MODEL 1 GAE 19W-50
SYNTHETIC ENGINE OIL
FILL TO TOP OF RAFFLE

CAUTION
HOT SURFACE

4

⚠ WARNING

Hot exhaust components may ignite fuel or clothes.
• Fire or explosion may occur, resulting in property damage, personal injury or death.
• Do not operate without entire exhaust system in place and in proper working condition.

5

Torque Blade Bolts to 55-60 ft-lbs (75-81 N-m)

6

NO STEP

7

ANTI-SCALP ROLLER ADJUSTMENT

FOR NORMAL OPERATING CONDITIONS, PLACE ROLLERS IN POSITIONS SHOWN FOR 3/4" (19 mm) GROUND CLEARANCE.

CUTTING HEIGHT INCHES(mm)

2.0(51)
2.5(64)
3.0(76)
3.5(89)

FOR MAXIMUM FLOTATION, ROLLERS MAY BE POSITIONED LOWER, BUT MUST MAINTAIN A MINIMUM OF 1/4" (6.4 mm) GROUND CLEARANCE. NEVER POSITION THE ROLLERS TO SUPPORT THE MOWER DECK.

8

CAUTION
DO NOT OPERATE WITHOUT GUARD IN PLACE.



10

CAUTION
MUFFLER AND SHIELDS MAY EXCEED 160° F

11

BELT ROUTING

BELT:
1-431093 - 44"
1-413308 - 48"
1-405398 - 52"
103-9273 - 60"

12

⚠ WARNING

DO NOT OPERATE WITHOUT DISCHARGE DEFLECTOR, ENTIRE GRASS COLLECTION SYSTEM, OR MULCH KIT IN PLACE. DO NOT REMOVE GRASS CATCHER UNTIL BLADES HAVE STOPPED.

13

DANGER
KEEP HANDS and FEET AWAY

14

NO MULCH DISCHARGE

TRIVANTAGE

15

⚠ DANGER
COVER IS MISSING. DO NOT OPERATE WITH THIS UNIT WHEN COVER IS NOT IN PLACE.

16

COMMERCIAL 48

17

LAZER Z CT

20

exmark

18

⚠ WARNING

TO AVOID INJURY FROM ROLL-OVER:
Keep roll bar in the raised and locked position and use seat belt.
THERE IS NO ROLL-OVER PROTECTION WHEN THE ROLL BAR IS DOWN.
Lower the roll bar only when absolutely necessary.
Do not wear seat belt when the roll bar is down.
Drive safely and carefully.
Raise the roll bar as soon as a clearance permits.
Read and follow local operator instructions and warnings.

19

CHECK/SERVICE REFERENCE AID

GREASE LUBE POINTS AT INTERVALS SHOWN

1 CHECK HYDRAULIC FLUID AT INTERVAL SHOWN. (USE ONLY MODEL 1 TOWAS SYNTHETIC MOTOR OIL.)
2 SEE ENGINE OPERATOR'S MANUAL FOR SERVICING ENGINE.
3 CHECK TIRE PRESSURE AT INTERVAL SHOWN.
10 PSI/PNEUMATIC CASTER TIRES
CHECK TIRE PRESSURE AT INTERVAL SHOWN.
13 PSI/REAR DRIVE TIRES

SEE OPERATOR'S MANUAL FOR ADDITIONAL DETAILS

40 HOURS
YEARLY
40 HOURS
YEARLY
40 HOURS
YEARLY
40 HOURS
YEARLY
40 HOURS
YEARLY
40 HOURS
YEARLY
40 HOURS
YEARLY
40 HOURS
YEARLY

21

COMMERCIAL 52

22

COMMERCIAL 60

23

Engage and disengage at 1/2 throttle.

OFF ON START

103-1195

24

exmark

103-482

25

103-490

MOTION CONTROL

↑
N
R
↓

⚠ WARNING

Battery contains sulfuric acid. Avoid contact and always shield eyes, face skin and clothing from battery. Cigarettes, flames or sparks could cause battery to explode. Do not charge or use booster cables or adjust post connections without proper training. In event of an accident flush with water immediately. Keep out of reach of children.

MOTION CONTROL

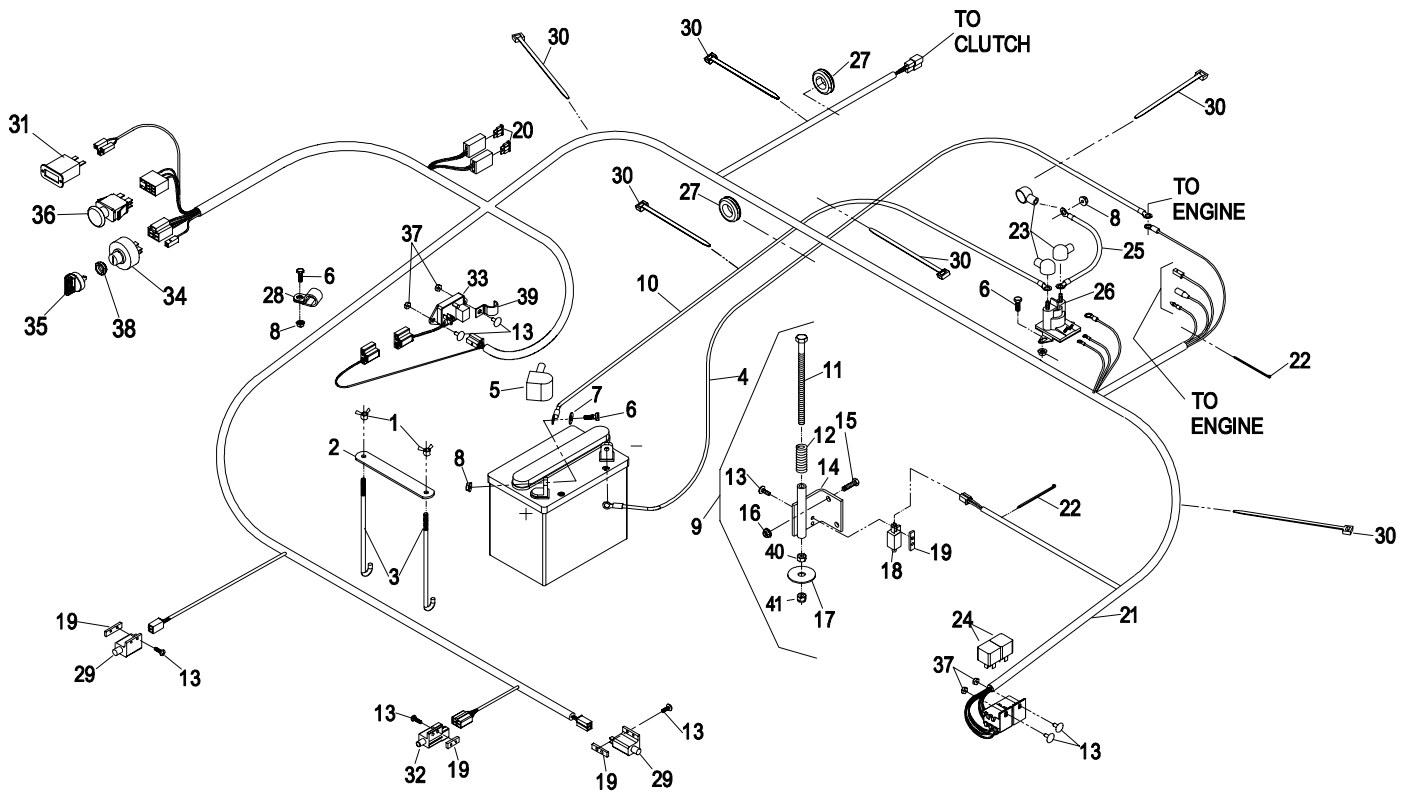
↑
N
R
↓

Drive Wheel Release

Use only wheels and tires approved for use. Do not over-inflate.

103-495

ELECTRICAL GROUP

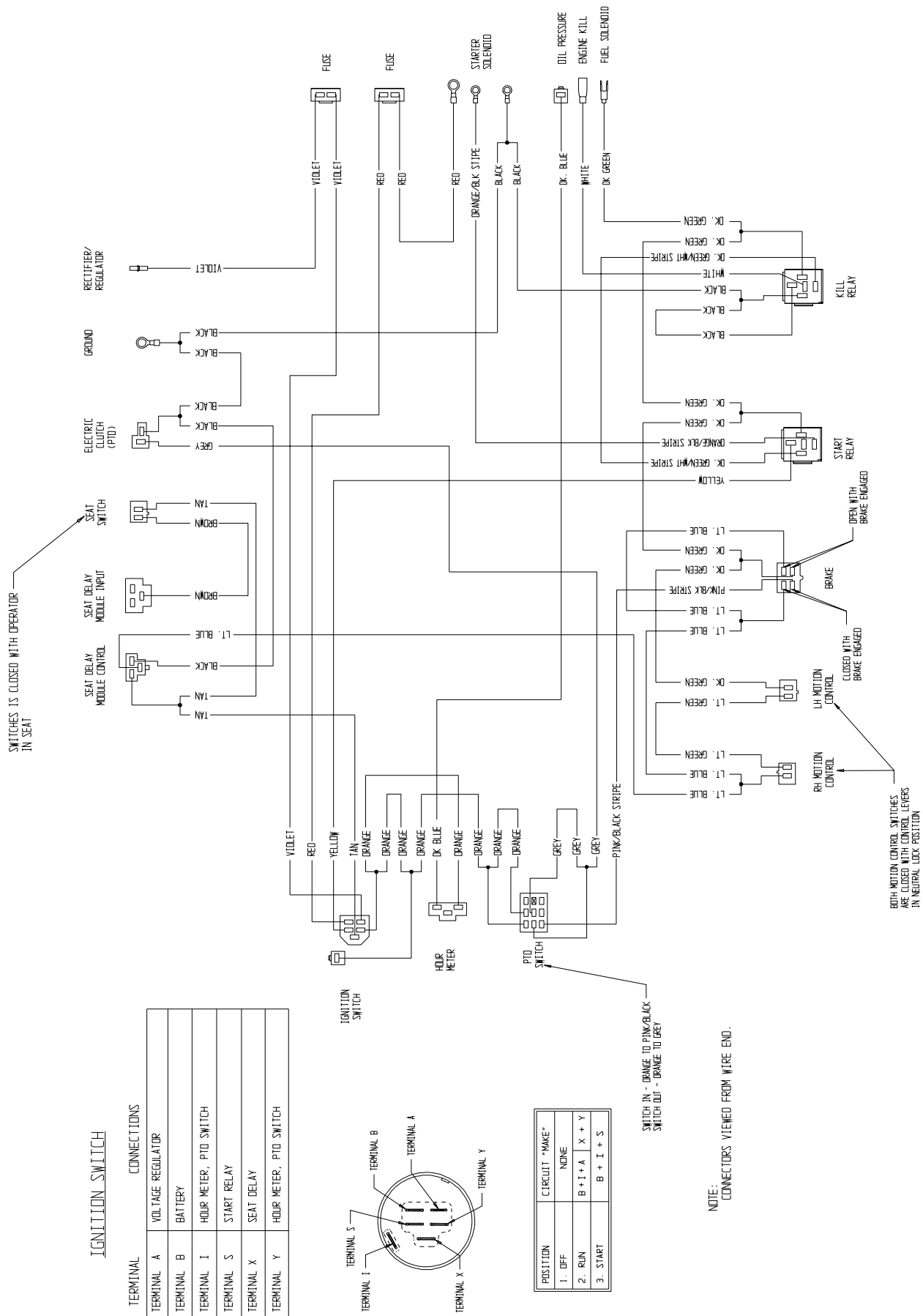


Item	Part No.	Description	Qty.
1	1-543792	Wingnut, Nyloc 1/4-20	2
2	107-9277-03	Strap, Battery Holdown	1
3	1-633651	Bolt, Battery Holdown.....	2
4	103-0705	Cable, Ground (-).....	1
5	1-543391	Insulator, Battery	1
6	321-4	Screw, HH1/4-20 x 3/4	5
7	3256-2	Washer, 1/4 Flat	2
8	32128-33	Nut, Whizlock 1/4-20.....	6
9	103-5685	Asm, Seat Switch Actuator.....	1
10	103-0707	Cable, Battery (+).....	1
11	1-800282	Screw, HH 5/16-18 x 7	1
12	1-523415	Spring, Seat Switch.....	1
13	3290-500	Screw, PPH #10-24 x 5/8	12
14	1-652072-03	Wld, Seat Switch Bracket.....	1
15	322-3	Screw, HH 5/16-18 x 3/4	2
16	32128-20	Nut, Whizlock 5/16-18	2
17	1-653036	Washer	1
18	1-513152	Switch, Seat.....	1
19	1-633181	Plate	4
20	1-816001	Fuse-20 Amp	2
21◆	109-2174	Harness, Wiring	1

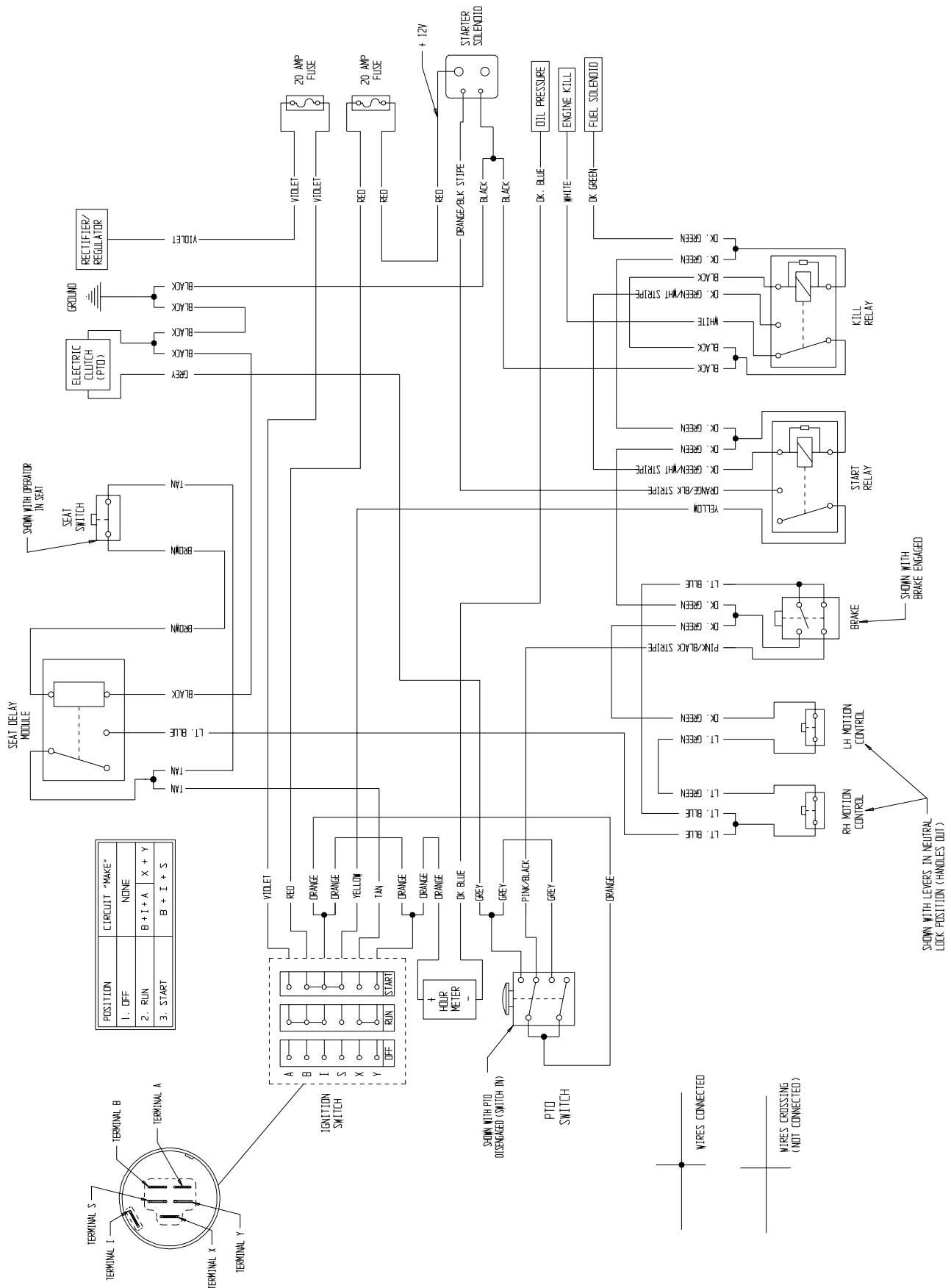
Item	Part No.	Description	Qty.
22	1-303287	Tie, Cable 5 1/2 (Small)	2
23	1-543393	Insulator, Solenoid (+).....	3
24	1-643275	Relay, 12 V	2
25	1-633306	Cable, Starter (+).....	1
26	1-513075	Switch, 12V Solenoid.....	1
27	1-543286	Grommet	2
28	1-633396	Clip, Loom 5/8	1
29	1-513051	Switch, Drive Lever N.O.....	2
30	1-303335	Plastic Tie, 7 15/16 (Large).....	7
31	1-513374	Meter, Engine Hours	1
32	1-633111	Switch, Brake N.O./N.C.	1
33	100-6186	Module, Seat Delay	1
34	103-0206	Switch, Ignition W/Keys	1
35	103-2106	Key, Exmark Logo	1
	1-603511	Key, Ignition	1
36	103-5221	Switch, Blade.....	1
37	3296-2	Nut, Nyloc #10-20	4
38	103-0498	Nut, Ignition	1
39	103-1193	Clip, Loom Half	1
40	3217-6	Nut, Hex 5/16-18.....	1
41	3296-29	Nut, Nyloc 5/16-18	1

◆ Use dielectric grease on all wiring harness connectors.

ELECTRICAL DIAGRAM



ELECTRICAL SCHEMATIC



SEE EXMARK'S COMPLETE LINE OF ACCESSORIES

RIDING ACCESSORIES

CUSTOM RIDE SEAT SUSPENSION SYSTEM
DECK LIFT ASSIST KIT
HITCH KIT
LIGHT KIT
MICRO-MULCH SYSTEM
ROLL OVER PROTECTION SYSTEM (ROPS)
SNOW BLADE
SUN SHADE
TRASH CONTAINER
TURF STRIPER
ULTRA VAC COLLECTION SYSTEM
ULTRA VAC QUICK DISPOSAL SYSTEM

WALK BEHIND ACCESSORIES

GRASS CATCHER
MICRO-MULCH SYSTEM
STEERABLE SULKY
SULKY HITCH KIT
TURF STRIPER
STANDON

Check us out on the Web:
www.exmark.com

© 1997-2004 EXMARK MFG. CO. INC.
INDUSTRIAL PARK BOX 808
BEATRICE, NE 68310

PART NO. 109-2278 Rev. B
(402) 223-6300
FAX (402) 223-5489

ALL RIGHTS RESERVED

PRINTED IN U.S.A.

