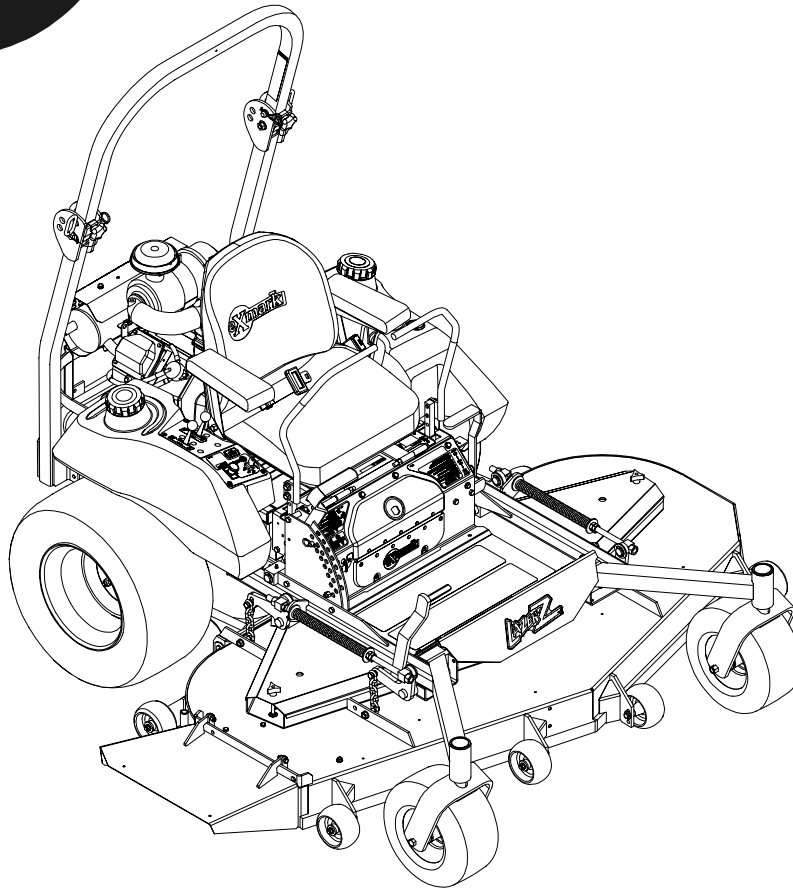


For Serial Nos.
540,000 & Higher



PARTS MANUAL

LAZER Z[®]

AIR-COOLED MODELS

CONGRATULATIONS on the purchase of your new Exmark mower. This product has been carefully designed and manufactured to give you a maximum amount of dependability and years of trouble-free operation. If additional information is needed, or should you require trained mechanic service, contact your authorized Exmark equipment dealer or distributor. If you need to order replacement parts from your dealer, always give the model number and serial number of your mower as well as the part number, description and quantity of the part needed.

The Serial No. plate is located on the right side of the console. For ease of ordering and reference, we suggest that you record the information requested in the following identification table.

Place Model No. and Serial No. Label Here (Included in Literature Pack) or Fill in Below
Model No. _____
Serial No. _____

Engine Model No. and Spec. No. (Code) _____

Engine Serial No. (E/No) _____

Date Purchased _____

EXMARK PARTS PLUS® PROGRAM

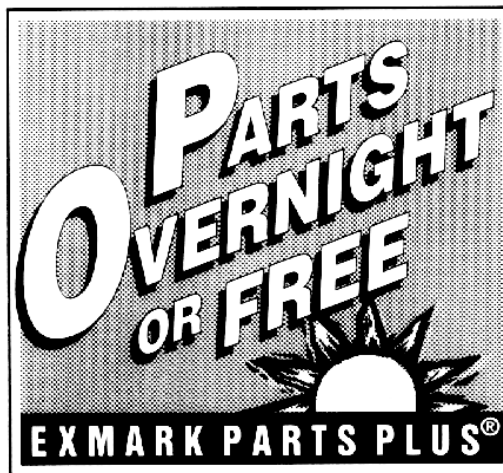
EFFECTIVE DATE: September 1, 1995

Program

If your Exmark dealer does not have the Exmark part in stock, Exmark will get the parts to the dealer the next business day or the part will be FREE* Guaranteed!!

How the Program Works

1. If dealer does not have part in stock for a "down" unit at the time of request by customer, the dealer contacts his distributor by 1:00 p.m., local time, and requests Exmark Parts Plus® shipment of six (6) line items or less.
2. Distributor ships part(s) to dealer or customer, as requested by dealer, same day, overnight UPS. Distributor bills dealer for part and freight charges where applicable.
3. If distributor does not have the part(s) in stock to satisfy Exmark Parts Plus® order, he contacts Exmark by 3:00 p.m., central time, with an Exmark Parts Plus® order of six (6) line items or less.
4. If order is received by 3:00 p.m. central time, Exmark ships part(s) direct to dealer or customer, as requested by distributor, same day, overnight UPS. Exmark bills the distributor for parts and shipping charges, where applicable.
5. The customer pays for the part and freight if it is shipped under the Exmark Parts Plus® and if it arrives in accordance to the program.
6. Who pays for the part and freight if it fails to arrive overnight in accordance to the program?
 - A. Under any circumstance the customer does not pay.
 - B. If the part does not arrive overnight due to:
 1. The dealer not submitting the Exmark Parts Plus® order to his Exmark distributor by 1:00 p.m., the dealer pays for the part and freight.
 2. The Distributor being unable to ship the part the same day or not submitting the Exmark Parts Plus® order to Exmark by 3:00 p.m., central time, the Distributor pays for the part and freight.
 3. Exmark being unable to ship the part and the Exmark parts order is received by 3:00 p.m., central time, Exmark pays for the part and freight.
 4. If the part does not arrive overnight due to the shipper (UPS), the shipper pays for the freight and Exmark pays for the part.



The following restrictions apply -- The Exmark Parts Plus® Program is available only through participating Exmark Dealers and applies only to orders submitted on this program Monday through Thursday. Parts Plus service is available only in the 48 contiguous United States. UPS has initiated a Saturday delivery program to many areas of the continental United States and can be requested for an overnight shipment on Friday to be delivered Saturday. The next day air charge, plus the Saturday delivery fee will be the responsibility of the purchaser. Exmark Mfg. will assume no responsibility for Saturday delivery shipments. To qualify, all Exmark Parts Plus® orders must be received by Exmark by 3:00 p.m., central time. Orders must be six (6) line items or less. Exclusions from the Exmark Parts Plus® Program are: Any wholegood or accessory in its entirety, engines and engine replacement parts, 5-speed Peerless transmissions and 5-speed transaxles, hydraulic or hydrostatic wheel motors, cutter decks and engine decks or any item exceeding United Parcel Service size and weight restrictions.

Due to UPS restrictions, aerosol spray paint is considered a hazardous material and cannot be shipped via UPS next day or Second Day Air.

Exmark Manufacturing stocks a limited supply of parts for transaxles, pumps and wheel motors. These parts can be ordered for Next Day Air shipment but will not be guaranteed per the Parts Plus Program.



**READ OPERATOR'S MANUAL BEFORE
OPERATING OR SERVICING EXMARK EQUIPMENT.**

TABLE OF CONTENTS

<u>Description</u>	<u>Page</u>
Decal Group.....	23-24
Electrical Diagrams	27-28
Electrical Groups.....	25-26
Electrical Logic Schematics.....	29-30
Engine Deck Group.....	20
Front Frame Group	9-10
Fuel Group.....	13-14
Hydraulics Group	21-22
Main Frame Group.....	11-12
Motion Control Group.....	17
Park Brake Group	15-16
Parts Plus Program	1
52" Deck Group.....	3-4
60" Deck Group.....	5-6
72" Deck Group.....	7-8

52" DECK GROUP

Item	Part No.	Description	Qty.
1	103-3183	Asm, Deck (103-3026-01) W/Decals	1
2	3256-24	Washer, 3/8 SAE	3
3+	103-2794	Sheave, Blade Drive	3
4	1-513208	Washer, Spring Disk	1
5	1-303334	Washer, 5/16 Spring Disk.....	1
6	32128-20	Nut, 5/16-18 Whizlock	8
7	1-602913-01	Baffle Wldmt, Discharge.....	1
8	322-2	Screw, 5/16-18 x 5/8	5
9★	1-603299	Roller, Antiscalp	6
10	3290-357	Nut, 3/8-16 Whizlock.....	2
11	1-373034	Washer, Pivot.....	8
12■	1-603602	Axle, Anti-Scalp Roller (Type A)	6
■	103-5364	Axle, Anti-Scalp Roller (Type B)	6
13	98-5975	Washer, 3/8 Spring Disk.....	13
14	98-5961	Screw, 3/8-16 x 4 Gr 8	1
15	103-5870-01	Chute, Discharge 52"	1
16	322-5	Screw, 5/16-18 x 1	5
17	3296-29	Nut, 5/16-18 Nyloc	4
18	1-633357-01	Shield, Belt 52".....	2
19	1-323385	Knob, Belt Shield	6
20	1-322110	Belt Guide Wldmt.....	1
21	3213-5	Screw, HH 1/2-20 x 2	3
22	323-11	Screw, 3/8-16 x 2 1/4	2
23	1-303537	Stud, Belt Shield	2
24	3256-3	Washer 5/16 Std Flat	4
25	1-323417	Washer, Rubber.....	2
26	103-3330	Spring, Extension.....	1
27	1-513435	Washer, Spring Disk 1/2.....	3
28	32120-10	Ring, Retaining	2
29✖	103-5693	Kit, Idler Arm (103-6528-01) W/Bearings	1
30	106-7159	O-ring.....	2
31	302-40	Zerk, 1/4-20 90°	1
32	3256-4	Washer, 3/8 Std Flat	2
33	3296-39	Nut, 3/8-16 Nyloc	19
34	103-3504	Bearing, Spherical.....	2
35	1-633109	Idler Pulley 6.00 Dia Flat	2
36	3234-11	Bolt, 3/8-16 x 1 Whizlock.....	1
37	1-633456	Bushing, Idler.....	2
38	3217-11	Nut, 5/8-11 Hex.....	2
39	32128-37	Nut, 7/16-14 Whizlock	16

Item	Part No.	Description	Qty.
40	1-603805	Idler Pulley 5.06 O.D V	1
41	1-633366	Belt, Blade Drive 52" Deck.....	1
42	1-633447	Chain.....	4
43	103-1898	Screw, 7/16-14 x 1 5/8 Sp.....	8
44	103-3505	Seal, Double, Lip	1
45	103-9076	Cutter Housing Complete.....	3
46+	103-3182	Sheave, Jackshaft	1
47	103-2535	Spacer, Guard Bottom	4
48	323-6	Screw, 3/8-16 x 1	4
49	103-1072-01	Strut Wldmt, Deck.....	2
50□+	103-9086	Kit, Spindle	3
51	1-633029	Spherical Rod End.....	2
52	327-11	Screw, 5/8-11 x 5.....	2
53	3253-8	Lockwasher, 5/8 Reg.Spring.....	2
54	302-19	Zerk, 1/4-28 Straight	4
55	1-632199-01	Pin Wldmt, Deck Strut.....	2
56	3219-6	Nut, 5/8-18 Hex.....	3
57●	3217-46	Nut, HH 3/4-16 Heavy.....	3
58	103-2982	Key, 1/4 x 3/16 x 3/4	3
59+	1-643393	Jackshaft	1
60	103-1081	Asm, Strut Long.....	2
61+	103-1330	Guard, Bearing Top	3
62	323-7	Screw, Hex Cap 3/8 x 1 1/4	18
63+	103-2544	Asm, Jackshaft Housing W/Brgs.....	1
64	103-2802	Washer, Spring Disk 3/4	3
65	103-6402	Blade, Notched.	3
	103-6387	Blade, Low Lift.....	3
◆	103-6392	Blade, Mulching.....	3
	103-6382	Blade, Solid	3
	103-6397	Blade, Extreme	3
66	103-3248	Asm, Jackshaft 52	1
67+	103-8280	Housing W/Bearings	3
68▲	103-3257	Asm, Deck Complete	1
69	103-2916	Guard, Top	1
70	103-5677	Spacer.....	1
71	103-3506	Seal, Single Lip.....	1
72■	3290-357	Nut, 3/8-16 (Type A) Whizlock	6
■	3296-39	Nut, 3/8-16 (Type B) Nyloc.....	6
73■	98-5961	Screw, 3/8-16 x 4 Gr8 (Type A).....	6
■	3211-46	Screw, 3/8-24 x 2 Gr8 (Type B).....	6
74	103-3037	Bushing, Splined.....	3

Exmark red touch up paint (spray paint - P/N 1-850337 - .6 oz liquid bottle - P/N 103-9140).

◆ Requires installation of Micro-Mulch accessory for proper mulching. Mulch kit P/N MK524Q.

■ Unit may have been built with Type A or Type B anti scalp axles. Reference page 4 to determine which axles are installed on the unit.

★ Kit 103-3168 includes antiscalp roller, axle, & mounting hardware for Type A axles. Kit 103-7263 includes antiscalp roller, axle, & mounting hardware for Type B axles.

+ Apply Mobil HTS grease (P/N 103-5217 1.5 oz packet) (or a food-grade antisieze) between the jackshaft and bearings, jackshaft and sheaves, spindles and bearings, spindles and sheaves, and under top bearing guard. DO NOT use a copper or nickel based antisieze.

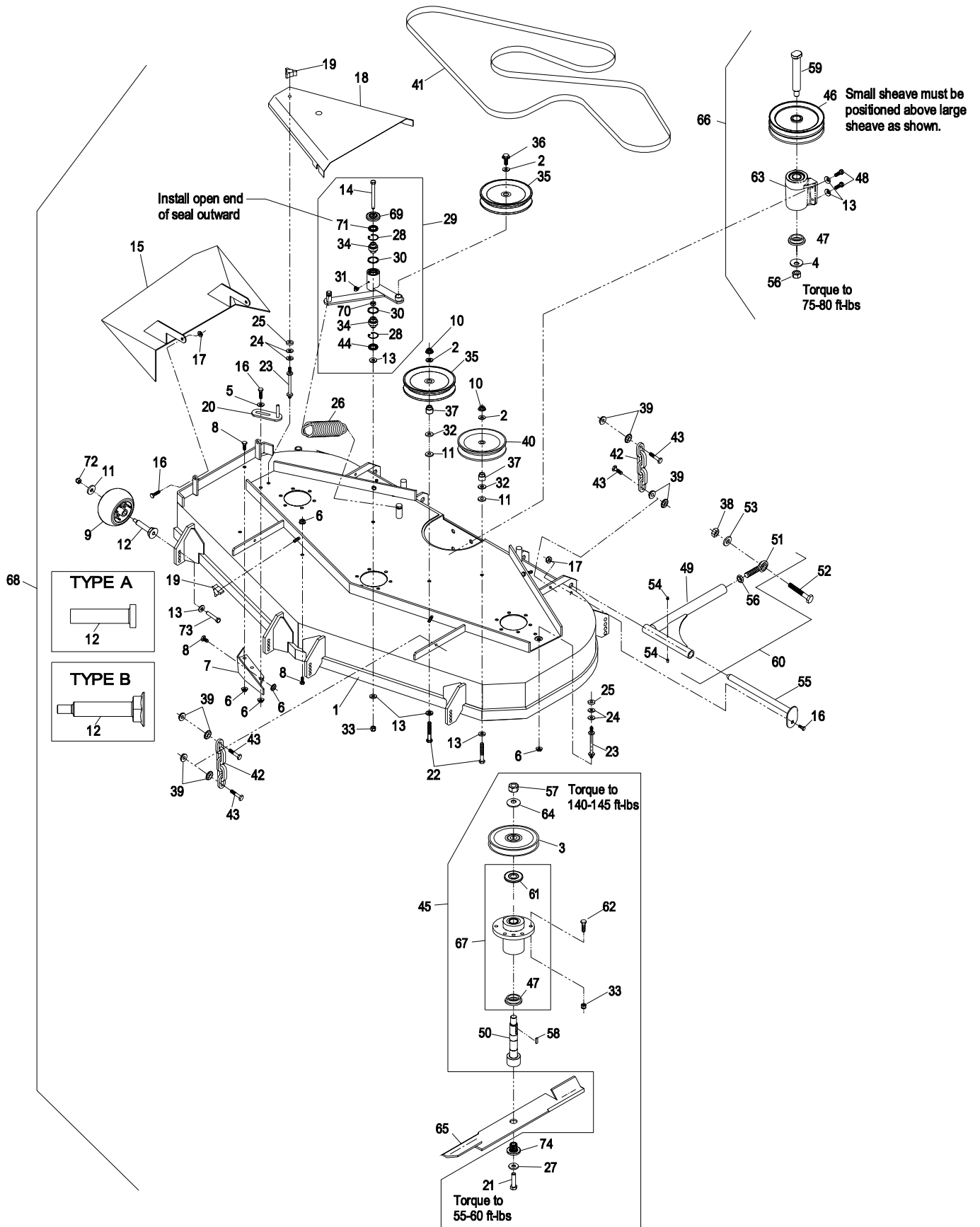
▲ Complete deck assembly excludes items #39, #42, #43, and #60 and includes mule drive belt from page 18.

✖ Kit also includes items #13 & #33.

● Use Pro-Lock, Nut Type (P/N 1-840022, .5ml tube) on nut, Item #57.

□ Kit includes items #21, #27, #57, #58, #64 & #74.

52" DECK GROUP



60" DECK GROUP

Item	Part No.	Description	Qty.
1	103-3184	Asm, Deck (103-3029-01) W/Decals	1
2●	3217-46	Nut, Hex 3/4-16 Heavy	3
3	3256-24	Washer, 3/8 SAE	3
4	1-513208	Washer, Spring Disk	1
5	1-303334	Washer, 5/16 Spring Disk	1
6	32128-20	Nut, 5/16-18 Whizlock	8
7	1-602913-01	Baffle Wldmt, Discharge	1
8	322-2	Screw, 5/16-18 x 5/8	5
9★	1-603299	Roller, Antiscalp	6
10	3290-357	Nut, 3/8-16 Whizlock	2
11	1-373034	Washer, Pivot	8
12■	1-603602	Axle, Anti-Scalp Roller (Type A)	6
■	103-5364	Axle, Anti-Scalp Roller (Type B)	6
13	98-5975	Washer, 3/8 Spring Disk	13
14	98-5961	Screw, 3/8-16 x 4 Gr 8	1
15	103-5830-01	Chute, Discharge 60"	1
16	322-5	Screw, 5/16-18 x 1	4
17	3296-29	Nut, 5/16-18 Nyloc	4
18	1-633084-01	Shield, Belt 60"	2
19	1-323385	Knob, Belt Shield	6
20	1-322110	Belt Guide Wldmt	1
21	3213-5	Screw, HH 1/2-20 x 2	3
22	323-11	Screw, 3/8-16 x 2 1/4	2
23	1-303537	Stud, Belt Shield	2
24	3256-3	Washer 5/16 Std Flat	6
25	1-323417	Washer, Rubber	2
26	103-3330	Spring, Extension	1
27	322-6	Screw, 5/16-18 x 1 1/4	1
28	32120-10	Ring, Retaining	2
29✳	103-5693	Kit, Idler Arm (103-6528-01) W/Bearings	1
30	106-7159	O-ring	2
31	302-40	Zerk, 1/4-20 90°	1
32	3256-4	Washer, 3/8 Std Flat	2
33	3296-39	Nut, 3/8-16 Nyloc	19
34	103-3504	Bearing, Spherical	2
35	1-633109	Idler Pulley 6.00 Dia Flat	2
36	3234-11	Bolt, 3/8-16 x 1 Whizlock	1
37	1-633456	Bushing, Idler	2
38	323-8	Screw, 3/8-16 x 1 1/2	18
39	32128-37	Nut, 7/16-14 Whizlock	16
40	1-603805	Idler Pulley 5.06 O.D. V	1

Item	Part No.	Description	Qty.
41	1-633127	Belt, Blade Drive 60" Deck	1
42	1-633447	Chain	4
43	103-1898	Screw, 7/16-14 x 1 5/8 Sp	8
44	103-3505	Seal, Double, Lip	1
45	3217-11	Nut, 5/8-11 Hex	2
46	103-2802	Washer, Spring Disk	3
47	103-9076	Cutter Housing Complete	3
48	323-6	Screw, 3/8-16 x 1	4
49	103-1072-01	Strut Wldmt, Deck	2
50+	103-2794	Sheave, Blade Drive	3
51	1-633029	Spherical Rod End	2
52	327-11	Screw, 5/8-11 x 5	2
53	3253-8	Lockwasher, 5/8 Reg. Spring	2
54	302-19	Zerk, 1/4-28 Straight	4
55	1-632199-01	Pin Wldmt, Deck Strut	2
56	3219-6	Nut, 5/8-18 Hex	3
57□+	103-9086	Kit, Spindle	3
58+	103-3046	Sheave, Jackshaft Double	1
59	103-2982	Key, 1/4 x 3/16 x 3/4	3
60+	1-643393	Jackshaft	1
61+	103-1330	Guard, Bearing Top	3
62+	103-8280	Housing W/Bearings	3
63	1-513435	Washer, Spring Disk 1/2	3
64	103-2535	Spacer, Guard Bottom	4
65	103-6403	Blade, Notched	3
	103-6388	Blade, Low Lift	3
◆	103-6393	Blade, Mulching	3
	103-6383	Blade, Solid	3
	103-6398	Blade, Extreme	3
66	103-1081	Asm, Strut Long	2
67	103-3249	Jackshaft Assy	1
68+	103-2544	Asm, Jackshaft Housing W/Brgs	1
69▲	103-3258	Complete Deck Assy	1
70	103-2916	Guard, Top	1
71	103-5677	Spacer	1
72	103-3506	Seal, Single Lip	1
73■	3290-357	Nut, 3/8-16 (Type A) Whizlock	6
■	3296-39	Nut, 3/8-16 (Type B) Nyloc	6
74■	98-5961	Screw, 3/8-16 x 4 Gr8 (Type A)	6
■	3211-46	Screw, 3/8-24 x 2 Gr8 (Type B)	6
75	103-3037	Bushing, Splined	3

Exmark red touch up paint (spray paint - P/N 1-850337 - .6 oz liquid bottle - P/N 103-9140).

◆ Requires installation of Micro-Mulch accessory for proper mulching. Mulch kit P/N MK604Q.

■ Unit may have been built with Type A or Type B anti scalp axles. Reference page 6 to determine which axles are installed on the unit.

★ Kit 103-3168 includes antiscalp roller, axle, & mounting hardware for Type A axles. Kit 103-7263 includes antiscalp roller, axle, & mounting hardware for Type B axles.

+ Apply Mobil HTS grease (P/N 103-5217 1.5 oz packet) (or a food-grade antisieze) between the jackshaft and bearings, jackshaft and sheaves, spindles and bearings, spindles and sheaves, and under top bearing guard. DO NOT use a copper or nickel based antisieze.

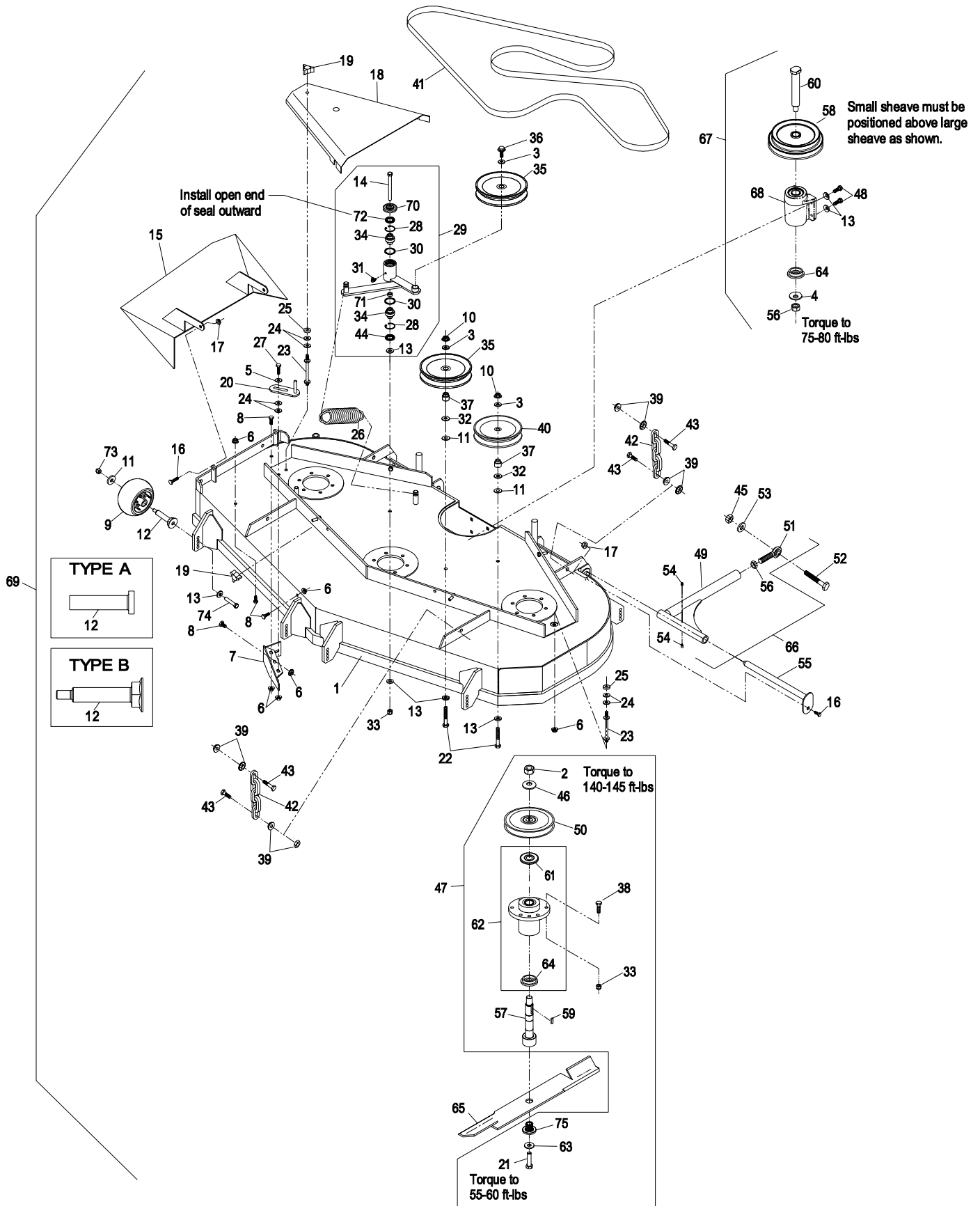
▲ Complete deck assembly excludes items #39, #42, #43, and #66 and includes mule drive belt from page 18.

✳ Kit also includes items #13 & #33.

● Use Pro-Lock, Nut Type (P/N 1-840022, .5ml tube) on nut Item #2.

■ Kit includes items #2, #21, #46, #59, #63 & #75.

60" DECK GROUP



72" DECK GROUP

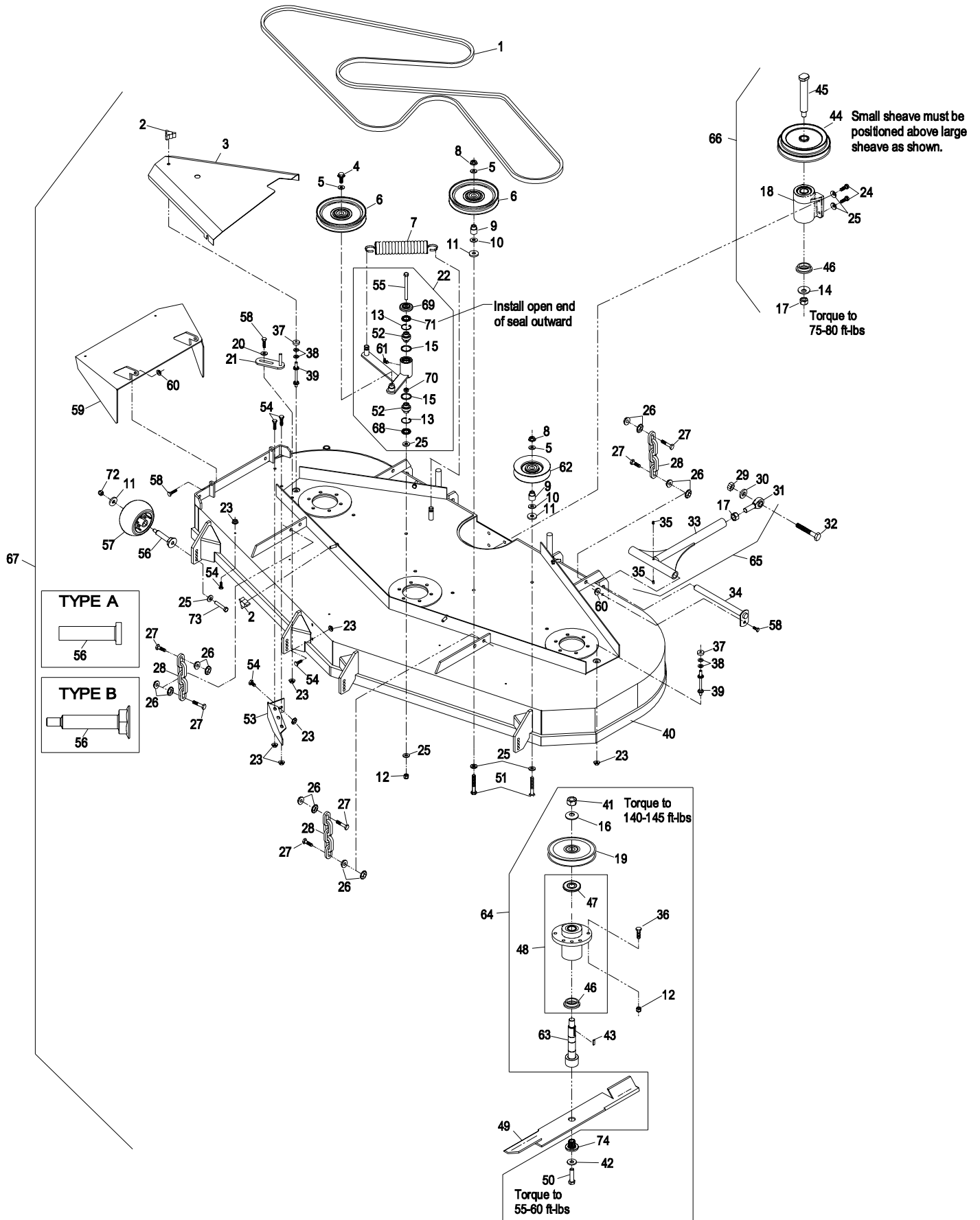
Item	Part No.	Description	Qty.
1	1-643052	Belt, Blade Drive 72"	1
2	1-323385	Knob, Belt Shield	6
3	1-643076-01	Shield, Belt 72" RH (Shown)	1
	1-643075-01	Shield, Belt 72" LH	1
4	3234-11	Bolt, 3/8-16 x 1 Whizlock	1
5	3256-24	Washer, 3/8 SAE	3
6	1-633109	Idler Pulley 6.00 Dia Flat	2
7	103-3330	Spring, Extension	1
8	3290-357	Nut, 3/8-16 Whizlock	2
9	1-633456	Bushing, Idler	2
10	3256-4	Washer, 3/8 Std Flat	2
11	1-373034	Washer, Pivot	8
12	3296-39	Nut, 3/8-16 Nyloc	19
13	32120-10	Ring, Retaining	2
14	1-513208	Washer, Spring, Disk	1
15	106-7159	O-ring	2
16	103-2802	Washer, Spring, Disk 3/4	3
17	3219-6	Nut, 5/8-18 Hex	3
18+	103-2544	Asm, Jackshaft Housing W/Brgs	1
19+	103-2795	Sheave, Blade Drive	3
20	1-303334	Washer, 5/16 Spring, Disk	1
21	1-322110	Belt Guide Wldmt	1
22*	103-5693	Kit, Idler Arm (103-6528-01) W/Bearings	1
23	32128-20	Nut, 5/16-18 Whizlock	8
24	323-6	Screw, .3/8-16 x 1	4
25	98-5975	Washer, 3/8 Spring, Disk	13
26	32128-37	Nut, 7/16-14 Whizlock	16
27	103-1898	Screw, 7/16-14 x 1-5/8	8
28	1-633447	Chain	4
29	3217-11	Nut, 5/8-11 Hex	2
30	3253-8	Lockwasher, 5/8 Reg.Spring	2
31	1-633029	Spherical Rod End	2
32	327-11	Screw, 5/8-11 x 5	2
33	103-1073-01	Strut Wldmt, Deck	2
34	1-632199-01	Pin Wldmt, Deck Strut	2
35	302-19	Zerk, 1/4-28 Straight	4
36	323-8	Screw, 3/8-16 x 1 1/2	18
37	1-323417	Washer, Rubber	2
38	3256-3	Washer 5/16 Std Flat	4
39	1-303537	Stud, Belt Shield	2
40	103-1591	Asm, Deck (103-3032-01) W/Decals	1

Item	Part No.	Description	Qty.
41●	3217-46	Nut, HH 3/4-16 Heavy	3
42	1-513435	Washer, Spring Disk 1/2	3
43	103-2982	Key, 1/4x3/16x3/4	3
44+	103-3046	Sheave, Double	1
45+	1-643393	Jackshaft	1
46	103-2535	Spacer, Guard Bottom	4
47+	103-1330	Guard, Bearing Top	3
48+	103-8280	Housing W/Bearings	3
49	103-6404	Blade, Notched	3
◆	103-6394	Blade, Mulching	3
	103-6389	Blade, Low Lift	3
	103-6384	Blade, Solid	3
	103-6399	Blade, Extreme	3
50	3213-5	Screw, HH 1/2-20 x 2	3
51	323-11	Screw, 3/8-16 x 2 1/4	2
52	103-3504	Bearing, Spherical	2
53	1-602913-01	Baffle Wldmt, Discharge	1
54	322-2	Screw, 5/16-18 x 5/8	5
55	98-5961	Screw, 3/8-16 x 4 Gr8	1
56■	1-603602	Axle, Anti-Scalp Roller (Type A)	6
■	103-5364	Axle, Anti-Scalp Roller (Type B)	6
57★	1-603299	Roller, Anti-Scalp	6
58	322-5	Screw, 5/16-18 x 1	5
59	1-642071-01	Chute, Discharge 72"	1
60	3296-29	Nut, 5/16-18 Nyloc	4
61	302-40	Zerk, 1/4-20 90°	1
62	1-603805	Idler Pulley 5.06 O.D. V	1
63+□	103-9086	Kit, Spindle	3
64	103-9074	Cutter Housing Complete	3
65	103-1083	Asm, Strut 72" Long	2
66	103-3249	Jackshaft Assy	1
67▲	103-3259	Complete Deck Asm	1
68	103-3505	Seal, Double, Lip	1
69	103-2916	Guard, Top	1
70	103-5677	Spacer	1
71	103-3506	Seal, Single Lip	1
72■	3290-357	Nut, 3/8-16 Whizlock (Type A)	6
■	3296-39	Nut, 3/8-16 Nyloc (Type B)	6
73■	98-5961	Screw, 3/8-16 x 4 Gr8 (Type A)	6
■	3211-46	Screw, 3/8-24 x 2 Gr8 (Type B)	6
74	103-3037	Bushing, Splined	3

Exmark red touch up paint (spray paint - P/N 1-850337 - .6 oz liquid bottle - P/N 103-9140).

- ◆ Requires installation of Micro-Mulch accessory for proper mulching. Mulch kit P/N MK724Q.
- Unit may have been built with Type A or Type B anti scalp axles. Reference page 8 to determine which axles are installed on the unit.
- ★ Kit 103-3168 includes antiscalp roller, axle, & mounting hardware for Type A axles. Kit 103-7263 includes antiscalp roller, axle, & mounting hardware for Type B axles.
- ★ Apply Mobil HTS grease (P/N 103-5217 1.5 oz packet) (or a food-grade antisieze) between the jackshaft and bearings, jackshaft and sheaves, spindles and bearings, spindles and sheaves, and under top bearing guard. DO NOT use a copper or nickel based antisieze.
- ▲ Complete deck assembly excludes items #26, #27, #28, and #65 and includes mule drive belt from page 18.
- * Kit also includes items #12 & #25.
- Use Pro-Lock, Nut Type (P/N 1-840022, .5ml tube) on nut Item #41.
- Kit includes items #16, #41, #42, #43, #50, & #74.

72" DECK GROUP



FRONT FRAME GROUP

Item	Part No.	Description	Qty.
1▲	103-5473	Asm, Front Frame, 52"	1
▲	103-5474	Asm, Front Frame, 60"	1
▲	103-5475	Asm, Front Frame, 72"	1
2	302-19	Zerk, 1/4-28 Straight	5
3	106-6572	Pad, Antiskid	2
4	1-633553	Pad, Anti Skid	2
5	103-2084	Asm, Lever(103-2083-03)W/Grip	1
6	1-633295	Grip, Lift Lever	1
7	103-2064-03	Arm Wldmt, Deck Lift	1
8	1-633325	Spring, Compression.....	1
9	3256-24	Washer, 3/8 SAE Flat.....	1
10	3296-39	Nut, Nyloc 3/8-16	5
11	32151-103	E-Ring.....	5
12	1-633068	Arm, Deck Lift	2
13	1-633889-01	Plate, Deck Lift.....	1
14	1-632899-01	Plate Wldmt, Deck Lift.....	1
15	1-633082	Bushing, Lift Lever	1
16	1-633080	Bushing, Lift Lever	1
17	323-13	Screw, 3/8-16 x 2 3/4	1
18	1-633097	Hitch Pin W/Lanyard	1
19	1-806005	Hairpin Cotter.....	1
20	323-9	Screw, 3/8-16 x 1 3/4	2
21	98-5975	Washer, 3/8 Disc Spring.....	12
22	3290-357	Nut, Whizlock 3/8-16.....	15
23	323-6	Screw, 3/8-16 x 1	1
24	323-7	Screw, 3/8-16x1 1/4	12
25	3256-29	Washer, 7/8 SAE Flat.....	4
26	1-633096	Rod, Deck Lift	2
27	3217-11	Nut, 5/8-11 Regular (52" & 60").....	8
	3217-11	Nut, 5/8-11 Regular (72")	6
28	1-633441	Swivel, Deck Mount.....	4
29	3256-7	Washer, 5/8 Std Flat	4
30	1-633064	Spring, Deck Support (52" & 60")	2
	1-643015	Spring, Deck Support (72").....	2

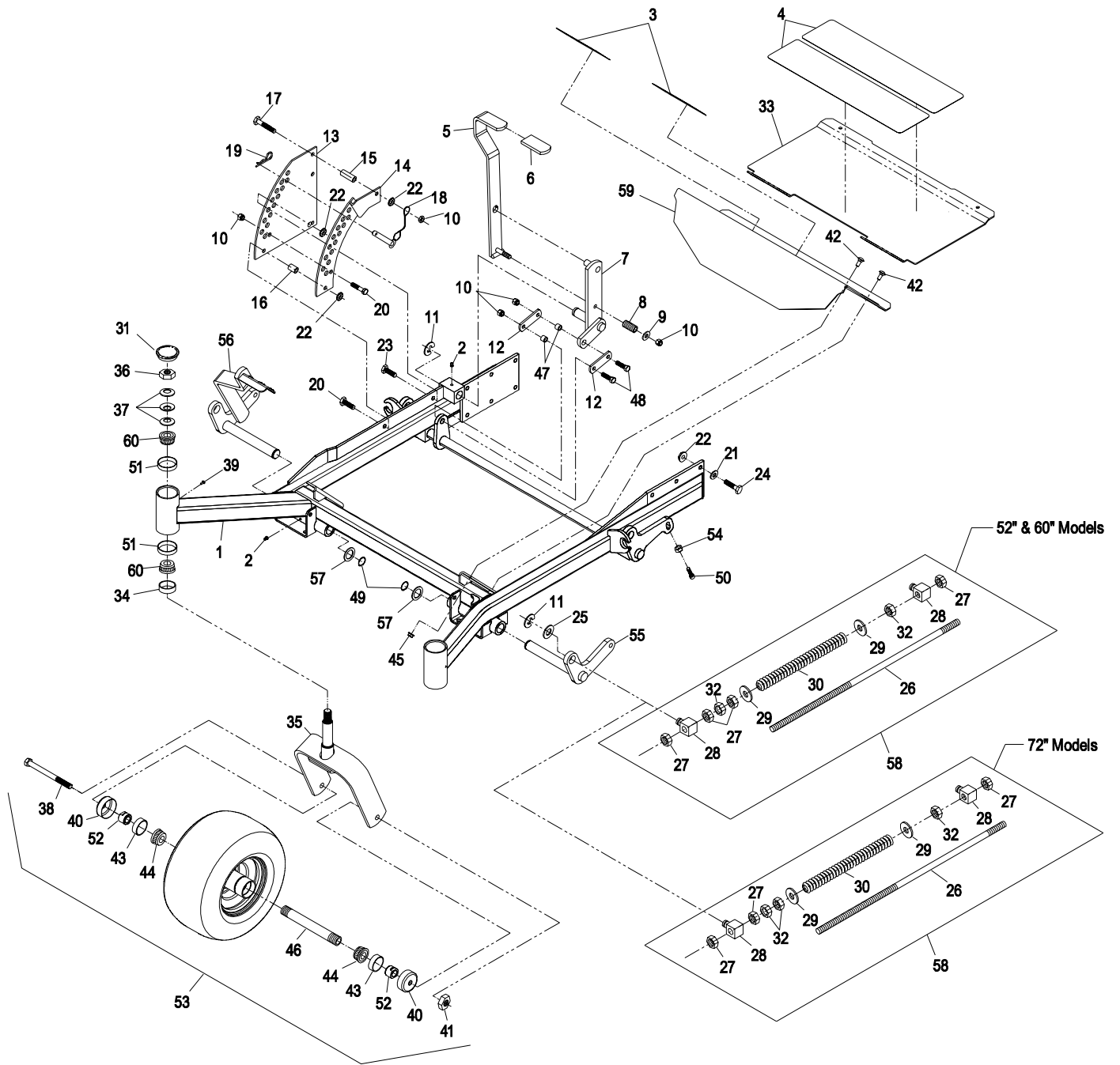
Item	Part No.	Description	Qty.
31	103-4882	Cap, Grease	2
32	3218-6	Jam Nut, 5/8-11 (52" & 60")	4
	3218-6	Jam Nut, 5/8-11 (72").....	6
33	103-3528	Asm, Floorpan (103-3241-01) W/Pads & Decals	1
34	1-543511	Seal, Grease.....	2
35	103-1474-01	Caster Wldmt.....	2
36	3296-51	Nut, 3/4-10 Nyloc.....	2
37	1-633508	Washer, Spring Disk	6
38	325-39	Screw, 1/2-13 x 9 1/2.....	2
39	1-811010	Plug	2
40	103-2768	Guard, Seal	4
41	3296-23	Nut, 1/2-13 Nyloc.....	2
42	3230-1	Bolt, Carriage 5/16-18 x 3/4	4
43	103-0063	Seal, Bearing	4
44	1-633585	Bearing Cone.....	4
45	32128-20	Nut, Whizlock 5/16-18.....	4
46	103-5156	Axle, Caster	2
47	103-1918	Bushing	2
48	323-29	Screw, 3/8-16 x 1 3/8.....	2
49	32151-29	Ring, Retaining	2
50	3274-18	Screw, Socket HD5/16-18x1 1/4	2
51	1-543508	Bearing Cup, Tapered Roller	4
52+	103-3051	Spacer, Nut.....	4
53	103-3799	Asm, Caster Wheel (Semi-Pneumatic)...	2
54	3218-2	Jam Nut, 5/16-18	2
55	103-1955-01	Weldmt, Front Lift Shaft (LH)	1
56	103-2013-01	Weldmt, Front Lift W/Lever(RH)	1
57	1-523157	Washer, Spacer.....	2
58	1-634439	Asm, Deck Lift Spring(52" & 60").....	2
	103-2047	Asm, Deck Lift Spring (72")	2
59	103-3527	Asm, Floorpan (103-3242-01) W/Pads & Decals	1
60	1-543509	Bearing Cone, Tapered Roller	4

Exmark red touch up paint (spray paint - P/N 1-850337 - .6 oz liquid bottle - P/N 103-9140).

✚ Use Pro-Lock, Nut Type (P/N 1-840022, .5ml tube) on spacer nut, Item #52.

▲ Includes frame weldment plus items #31, #34, #39, #49, #51, #55, #56 and #57.

FRONT FRAME GROUP



MAINFRAME GROUP

Item	Part No.	Description	Qty.
1	1-643255	Track, Seat (4" Adjustable).....	1
	103-8386	Spring, Seat Rail	1
2●	103-3524	Seat	1
3	1-543401	Spacer, Seat Track	2
4	322-3	Screw, 5/16-18 x 3/4	6
5	103-3521	Cushion, Seat	1
6	103-3520	Cushion, Backrest.....	1
7	103-0292	Cushion, Armrest (RH).....	1
8*	103-0291	Cushion Armrest (LH)	1
9	1-633859	Seat Frame	1
10	3256-3	Washer, 5/16 Std Flat	2
	3256-3	Washer, 5/16 Std Flat (EFI Only)	6
11	103-7617	Asm, Frame (103-8447-03) W/Decals	1
12	103-2743	Wheel/Tire Assy. (60" & 72")	2
	103-2744	Tire, 24x12-12 4 Ply (60"&72")	2
	1-633992	Wheel (60" & 72").....	2
	103-2769	Wheel/Tire Assy. (52")	2
	103-2771	Tire, 24x9.5-12 4 Ply (52").....	2
	1-653158	Wheel (52").....	2
13	103-5254	Asm, Console (103-3665-03) W/Decals .	1
14	103-4423	Asm, Seat Frame	1
15	242-50	Nut, Wheel 1/2-20	8
16	1-633293	Rod, Seat Hold-Up.....	1
17	322-5	Screw, 5/16-18 x 1	1
	322-5	Screw, 5/16-18 x 1 (EFI Only)	5
18	323-39	Screw, 3/8-16 x 5	2
19	3296-2	Nut, Nyloc #10-24	8
20	3296-29	Nut, Nyloc 5/16-18	5
21	3296-39	Nut, Nyloc 3/8-16	3
22	3290-357	Nut, Whizlock 3/8-16.....	10
23	32128-20	Nut, Whizlock 5/16-18.....	8
	32128-20	Nut, Whizlock 5/16-18 (EFI Only)	12
24	323-20	Screw, 3/8-16 x 3-1/4	1
25	3256-24	Washer, 3/8 SAE Flat.....	1
26	103-4469	Kit, Seat Belt	1
27	107-3083	Latch, Seat.....	1

Item	Part No.	Description	Qty.
28	322-4	Screw, 5/16-18 x 7/8	2
29	1-513658	Bumper.....	2
30	3256-23	Washer, 5/16 SAE Flat	10
31	103-4434	Grip	1
32	323-6	Screw, 3/8-16 x 1	2
33	1-633964-03	Stop, Park Brake.....	1
34	1-633872-03	Stop/Spacer (EFI Only).....	2
35	103-0284	Tab, Armrest Adjustment	2
36	322-7	Screw, 5/16-18 x 1 1/2.....	2
37	1-633349	Spring, Compression	2
38	3212-4	Screw, 7/16-20 x 1.00	2
39	3296-38	Nut, Nyloc 7/16-20	2
40+	103-4754	Seat Suspension Kit.....	1
	103-4757	Kit, Rubber Stops.....	1
	103-4758	Kit, Adjustment Knob	1
41	107-0075	Bushing	1
42	107-0076	Spring.....	1
43	107-3058	Catch, Seat Latch	1
44	3256-14	Washer, #10 STD Flat	8
45	32122-28	Screw, Truss HD #10-24 x 1	4
46	1-803075	Screw, Truss HD #10-24 x 3/4	2
47	3290-500	Screw, Pan Head #10-24 x 5/8	2
48	103-3790	Latch, Cubby Door.....	1
49	103-3666	Asm, Cubby	1
50	323-6	Screw, Hex Cap 3/8 x 1	8
51	107-3154	Nut, Push 3/8-16.....	4
52	98-5975	Washer, Spring Disk 3/8	8
53	107-3155	Cotter, Hair Pin Double Loop	2
54	32128-23	Nut, Hex Flange Side Lock 1/2-13	2
55	325-13	Screw, 1/2-13 x 3 1/4.....	2
56■	103-4553	Asm, ROPS Fold Pin	2
57	107-3124	Clip	2
58	106-0887	Knob.....	2
59	103-8383	Bolt, Seat Cushion	5
60◆	103-8436	Kit, ROPS LZ	1

Exmark black touch up spray paint - gloss black.

* Not illustrated.

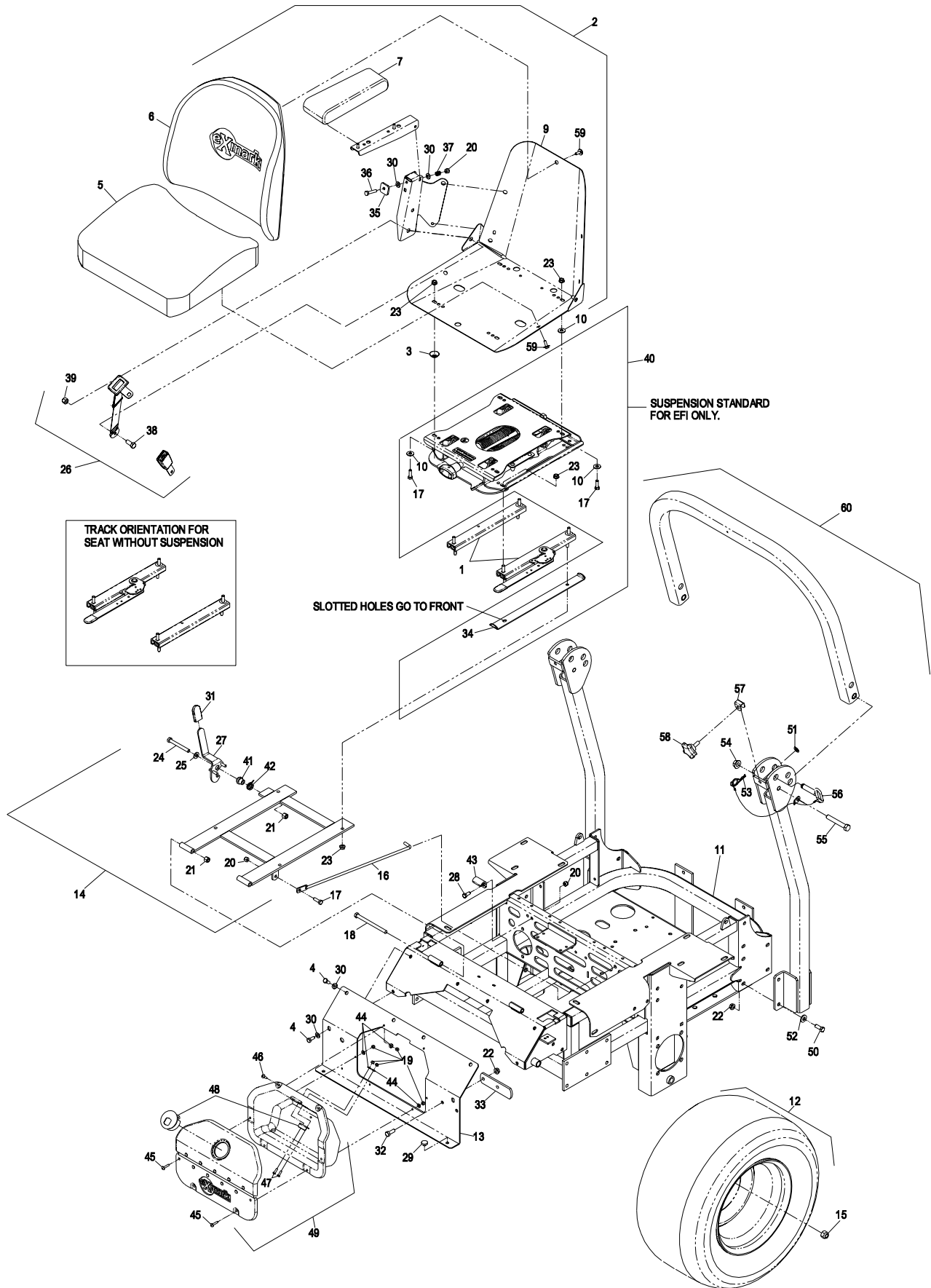
⊕ Standard equipment for EFI models. Available optional equipment for other models. Includes items shown plus seat switch actuator, item #32 on page 26.

■ Includes ROPS fold pin plus hairpin, item #53.

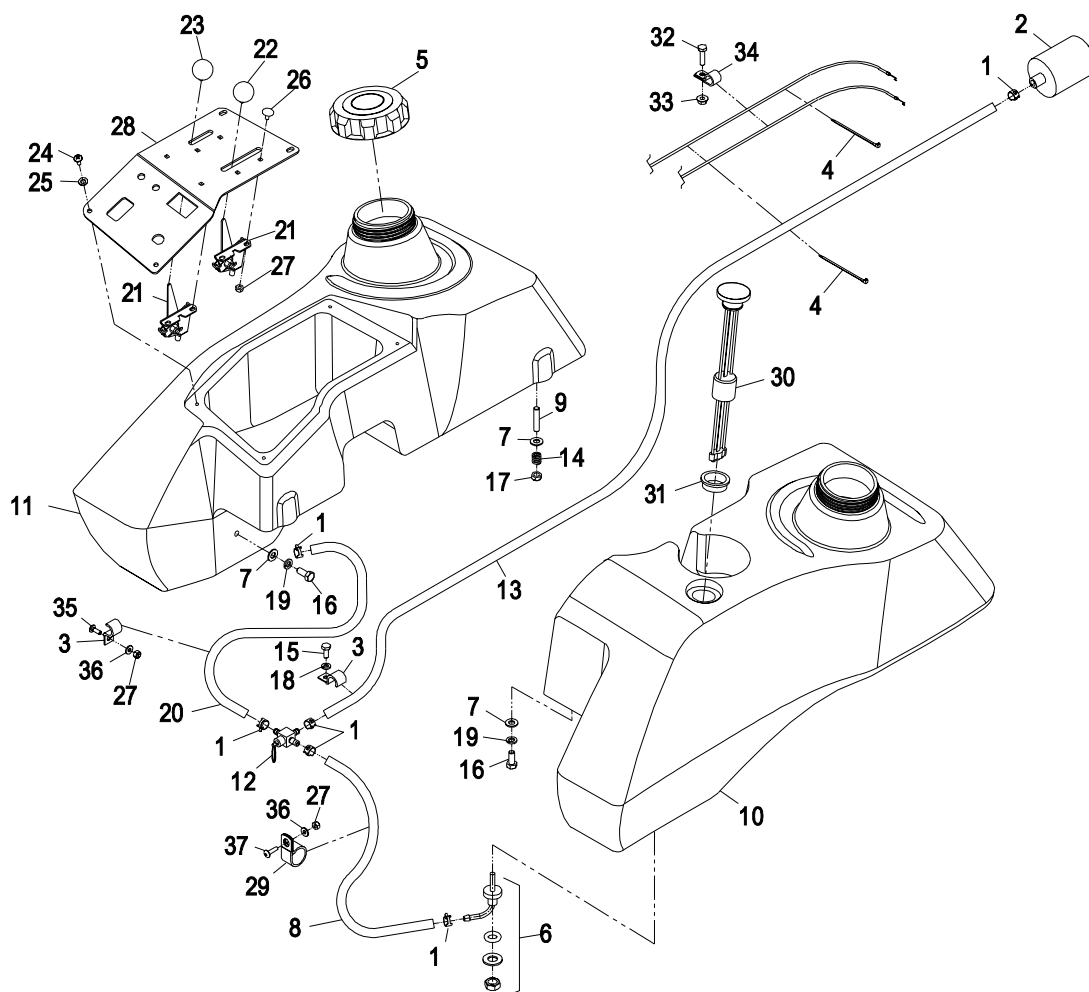
◆ Rollover protection frame is serviced as a complete assembly only. Includes complete ROPS frame, mounting hardware, fold pivot and locking hardware, seat frame assembly item #14, catch item #43, and seat belt assembly item #26.

● Includes armrests, armrest adjuster hardware and seat back decal. Does not include seat belt or tracks.

MAINFRAME GROUP



23 & 27 HP KOHLER AIR-COOLED FUEL GROUP

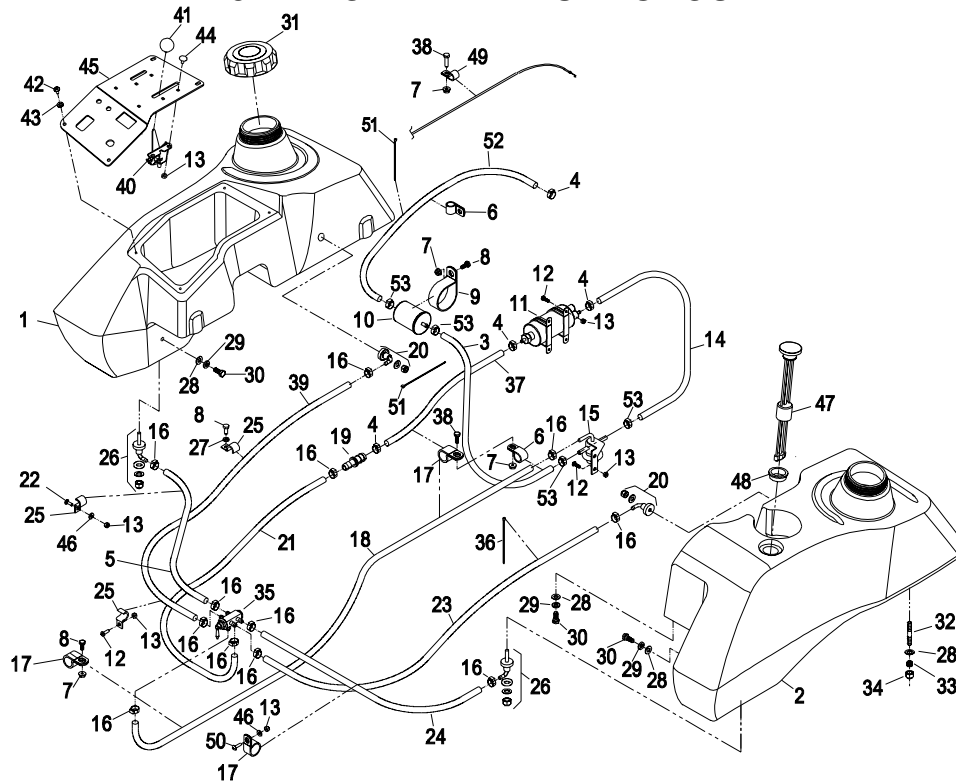


Item	Part No.	Description	Qty.
1	1-303077	Clamp, Fuel Line.....	6
2+	Kohler	Part No. 2405002 Fuel Filter	1
3	103-1193	Clip, Loom Half	2
4	1-303335	Plastic Tie (Large).....	2
5	103-3536	Cap, Fuel Tank	2
6●	103-2605	Fitting, Fuel Blkhd W/Screen.....	2
	103-2784	O-Ring	2
7	3256-23	Washer, 5/16 SAE.....	10
8	103-1419	Fuel Line.....	1
9◆	1-633023	Stud, Fuel Tank.....	6
10*	103-4924	Asm, Tank Fuel (LH)	1
11*	103-4925	Asm, Tank Fuel (RH)	1
12	1-633347	Valve, Fuel.....	1
13	103-4970	Fuel Line.....	1
14	1-633349	Spring, Fuel Tank.....	6
15	321-3	Screw, 1/4-20 x 5/8	1
16	322-3	Screw, 5/16-18 x 3/4	4
17	3296-47	Nut, Thin Nyloc 5/16-18.....	6
18	1-805004	Washer, Lock 1/4.....	1

Item	Part No.	Description	Qty.
19	1-805005	Washer, Lock 5/16.....	4
20	1-543526	Fuel Line.....	1
21	103-4091	Cable, Throttle/Choke	2
22	1-513592	Knob, Red (Throttle)	1
23	1-513593	Knob, Black (Choke).....	1
24■	32122-30	Screw, Phillips Truss HD #10-24 x 1/2...	4
25	1-303435	Washer, Spring Disk 1/4	4
26	1-807513	Bolt, Carriage #10-24 x 1/2	4
27	3296-2	Nut, Nyloc #10-24	6
28	103-5252	Asm, Control Panel W/Decals.....	1
29	1-643312	Clip, Loom	1
30	99-7262	Gage, Fuel.....	1
31	95-8972	Grommet	1
32	321-6	Screw, 1/4-20 x 1	1
33	32128-33	Nut, Whizlock 1/4-20.....	1
34	1-513762	Clip, Loom (.50).....	1
35	1-807533	Bolt, Carriage #10-24 x 5/8	1
36	3256-14	Washer, #10 Std.....	2
37	1-803075	Screw, Truss HD #10-24 x 3/4	1

- ✦ Refer to Engine Owner's Manual (Fuel Filter **Must** be 15 Micron or smaller).
- Use Pro-lock, Nut type (Part No. 1-840022), .5ml tube on fuel fitting.
- ◆ Use Pro-lock, Retaining Type (Part No. 1-840023), .5cc tube on stud threads going into the tank.
- * Includes: tank, cap, fitting & studs. LH tank also includes fuel gauge.
- Snug fit only on slotted holes, **Do Not Overtighten**, tank must be able to expand.

28 HP KOHLER EFI FUEL GROUP



Item	Part No.	Description	Qty.
1*	103-4928	Asm, Tank EFI Fuel (RH).....	1
2*	103-4927	Asm, Tank EFI Fuel (LH).....	1
3	103-8248	Kit, Fuel Line W/Clamps.....	1
4▲	1-643277	Clamp, Fuel Line 5/16.....	4
5	1-543526	Fuel, Line.....	1
6	1-603727	Clip, Loom.....	2
7	32128-33	Nut, Whizlock 1/4-20.....	4
8	321-3	Screw, Cap 1/4 -20 x 5/8.....	3
9	1-643241	Clip, Loom.....	1
10+	Kohler	Part No. 24 050 03 Fuel Filter (Large)	1
11+	Kohler	Part No. 393 20 Fuel Pump.....	1
12	3290-500	Screw, Machine #10-24x5/8.....	7
13	3296-2	Nut, Nyloc #10-24.....	11
14	103-6727	Kit, Fuel Line W/Clamps.....	1
15+	Kohler	Part No. 24 403 17 Fuel Regulator.....	1
16▲	1-643293	Clamp, Fuel Line 1/4.....	12
17	1-643312	Clip, Loom.....	3
18	103-4971	Fuel Line.....	1
19	103-2595	Connector, 1/4x 5/16.....	1
20●	103-2615	Fitting, Fuel Blkhd W/O Screen.....	2
	103-2784	O-Ring.....	2
21	1-303022	Fuel Line.....	1
22	1-807533	Bolt, Carriage #10-24 x 5/8.....	1
23	103-0216	Fuel Line.....	1
24	103-1419	Fuel Line.....	1
25	103-1193	Clip, Loom Half.....	3
26●	103-2605	Fitting, Fuel Blkhd W/Screen.....	2
	103-2784	O-Ring.....	2

Item	Part No.	Description	Qty.
27	1-805004	Washer, Lock 1/4.....	1
28	3256-23	Washer, Flat SAE 5/16.....	10
29	1-805005	Washer, Lock 5/16 Hvy.....	4
30	322-3	Screw, 5/16-18 x 3/4.....	4
31	103-3536	Cap, Fuel Tank.....	2
32◆	1-633023	Stud, Fuel Tank.....	6
33	1-633349	Spring, Fuel Tank.....	6
34	3296-47	Nut, Thin Nyloc 5/16-18.....	6
35	1-643234	Valve, Fuel Dual Flow.....	1
36	1-303287	Plastic Tie (Small).....	1
37	1-643239	Fuel Line.....	1
38	321-6	Screw, 1/4-20 x 1.....	2
39	103-4972	Fuel Line.....	1
40	103-4091	Cable, Throttle.....	1
41	1-513592	Knob, Red (Throttle).....	1
42■	32122-30	Screw, Phillips Truss HD #10-24 x 1/2... 4	4
43	1-303435	Washer, Spring Disk 1/4.....	4
44	1-807513	Bolt, Carriage #10-24 x 1/2.....	4
45	103-5252	Asm, Control Panel W/Decals.....	1
46	3256-14	Washer, Washer, #10 Std.....	2
47	99-7262	Gage, Fuel.....	1
48	95-8972	Grommet.....	1
49	1-513762	Clip, Loom.....	1
50	1-803075	Screw, Truss HD #10-24 x 3/4.....	1
51	1-303335	Plastic Tie.....	2
52	103-6915	Kit, Fuel Line W/Clamps.....	1
53▲	103-6711	Clamp, Fuel Line 14.5 Oetiker (Black).... 4	4

- Refer to Engine Owner's Manual (Fuel Filter **Must** be 40 Micron or smaller).
- Use Pro-lock, Nut type (Part No. 1-840022), .5ml tube on fuel fitting.
- ◆ Use Pro-lock, Retaining Type (Part No. 1-840023), .5cc tube on stud threads going into the tank.
- * Includes: tank, cap, fittings & studs. LH tank also includes fuel gauge.
- ▲ Clamps require special pliers Part No. 1-643394 (Oetiker Part No. 14100118 or Kohler Part No. 2445505) for installation.
- Snug fit only on slotted holes, **Do Not Overtighten**, tank must be able to expand.

PARK BRAKE GROUP

Item	Part No.	Description	Qty.
1	1-513140	Bushing.....	2
2	1-633454	Spring, Brake Rod.....	2
3	1-633477	Rod, Brake.....	3
4	1-634500	Lever (1-632489-03)W/Grip	1
5	1-632217-03	Shaft, Brake.....	1
6	103-0352-03	Bracket, Brake (52"&60").....	2
	103-0354-03	Bracket, Brake (72").....	2
7	1-523157	Washer, Spacer	2
8	1-809036	Nut, Slotted 1.00-20	2
9	103-0355	Band, Brake.....	2
10	103-6594	Spacer (Short)(52"&60").....	4
*	1-633060	Spacer (Short) (72")	4
11	1-653381	Spacer (Long)(52"&60")	4
*	1-633062	Spacer (Long)(72").....	4
12	1-633102	Bearing, Flange.....	2
13	1-633131	Yoke	4
14	1-633144	Pin, Trunion	2
15	103-0590	Hub & Drum W/Studs, Wheel.....	2
*	1-633926	Studs, Wheel	8
16	3257-42	Key, Woodruff 5/16 x 1.....	2

Item	Part No.	Description	Qty.
17	1-633268	Grip, Brake Lever.....	1
18	323-4	Screw, 3/8-16 x 3/4.....	4
19	103-2399	Pin, Clevis Spring 3/8.....	3
20	325-17	Screw, 1/2-13 x 4 (52"&60")	8
	325-20	Screw, 1/2-13 x 6 (72")	8
21	1481	Zerk, 1/4-28 45° (52"&60")	2
	302-19	Zerk, 1/4-28 Straight (72").....	2
22	103-0131	Nut, Sq. Reg. 1/2-13 UNC-2B	8
◆	32128-49	Nut, Whizlock 1/2-13 (72")	8
23	3219-3	Nut, 3/8-24.....	8
24	3290-357	Nut, Whizlock 3/8-16.....	4
25	3253-7	Washer, Lock 1/2.....	8
26	3256-4	Washer, 3/8 Std.....	4
27	3272-10	Pin, Cotter 1/8 x 3/4	2
28	1-806800	Pin, Cotter 9/64 x 1 1/2	2
29	322-9	Screw, 5/16-18 x 1 3/4	6
30	103-0384	Spacer	6
31	103-0374	Retainer, Brake Band.....	2
32	1-808285	Pin, Clevis 3/8 x 1 1/8	1

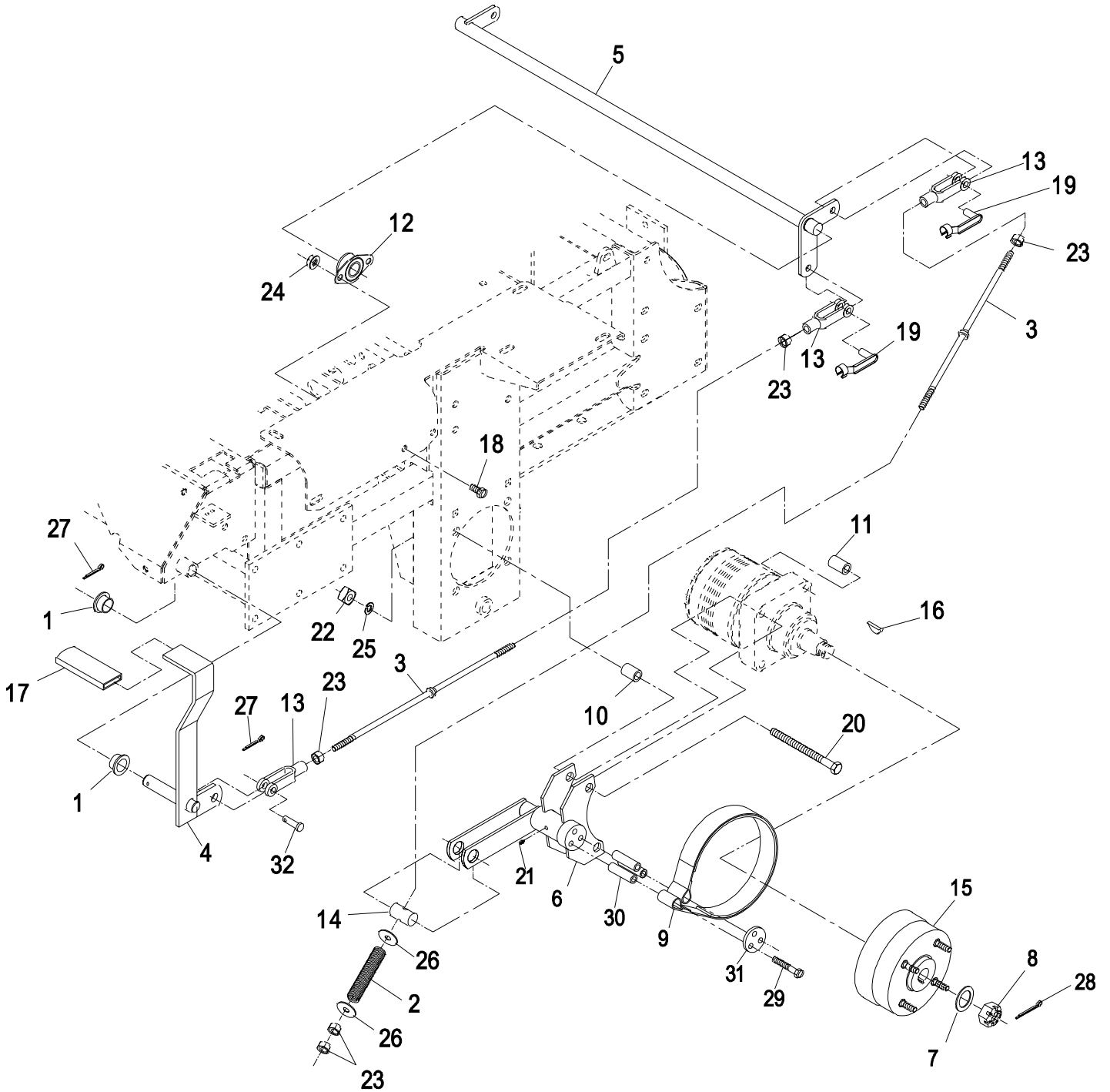
Exmark black touch up spray paint - gloss black.

* Not Illustrated.

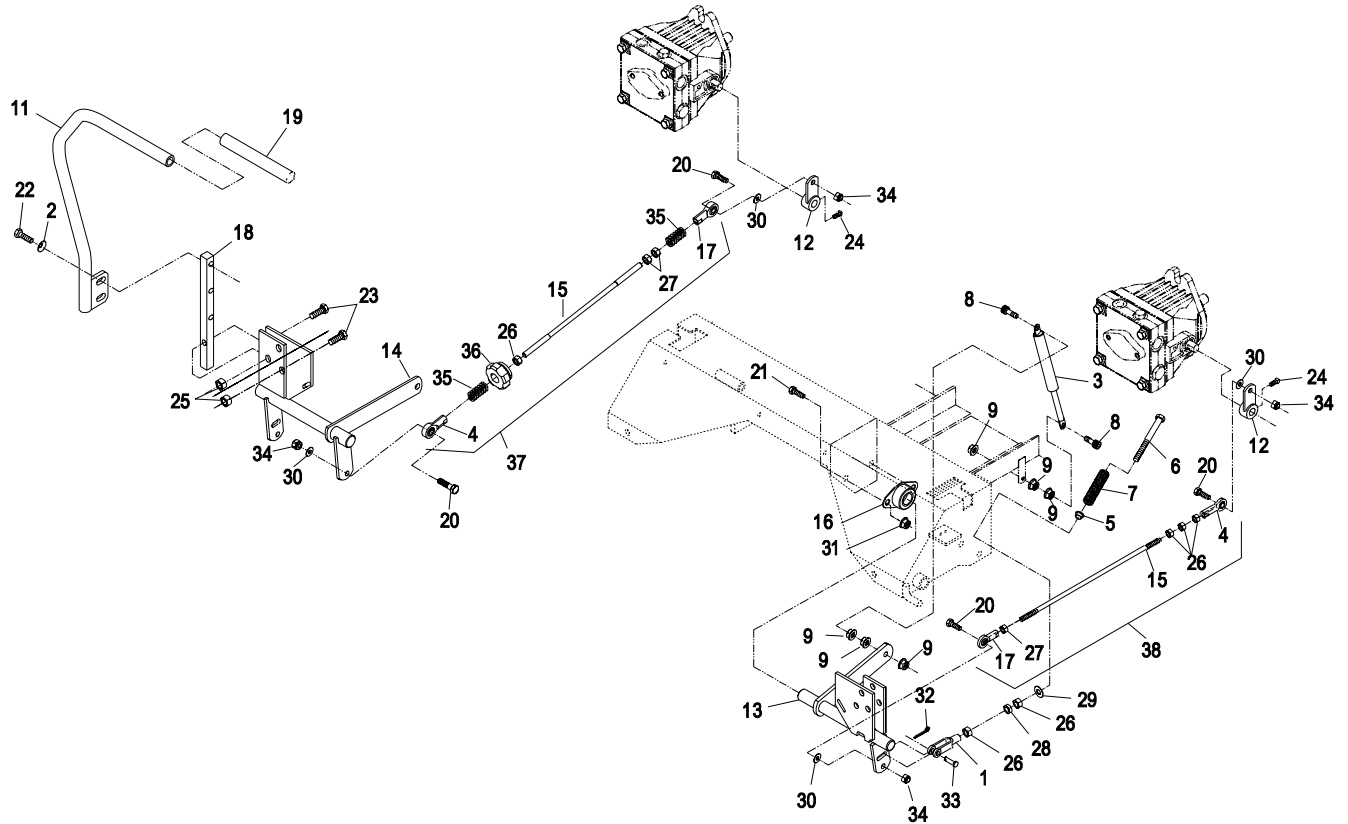
□ This component is required for all 52" & 60" units and 72" units with S/N 498,999 and lower.

◆ This component is required for all 72" units with S/N 499,000 and higher.

PARK BRAKE GROUP



MOTION CONTROL GROUP



Item	Part No.	Description	Qty.
1	1-303105	Yoke	2
2	98-5975	Washer, Disc Spring 3/8.....	4
3	103-4079	Damper.....	2
4	1-543017	Ball Joint (RH).....	2
5	1-603735	Bushing, Nylon (Reverse Ind).....	2
6	1-603737	Bolt, (Neutral Return)	2
7	1-603807	Spring, (Neutral Return)	2
8	1-403180	Screw, 5/16-18x1 3/8 Sp.....	4
9	32128-20	Nut, Whizlock 5/16-18	12
10*	103-3457	Handle (103-3326-03) W/Grip (LH)	1
11	103-3458	Handle (103-3327-03) W/Grip (RH).....	1
12	1-632208	Arm, Pump Control.....	2
13	103-4781	Bracket, Motion Control (LH).....	1
14	103-4782	Bracket, Motion Control (RH)	1
15	103-3064	Link, Tracking Rod	2
16	1-633102	Bearing, Flanged.....	4
17	1-633152	Ball Joint (LH)	2
18	103-0407	Arm, Control Shaft.....	2
19	103-3456	Grip, Motion Control Handle	2

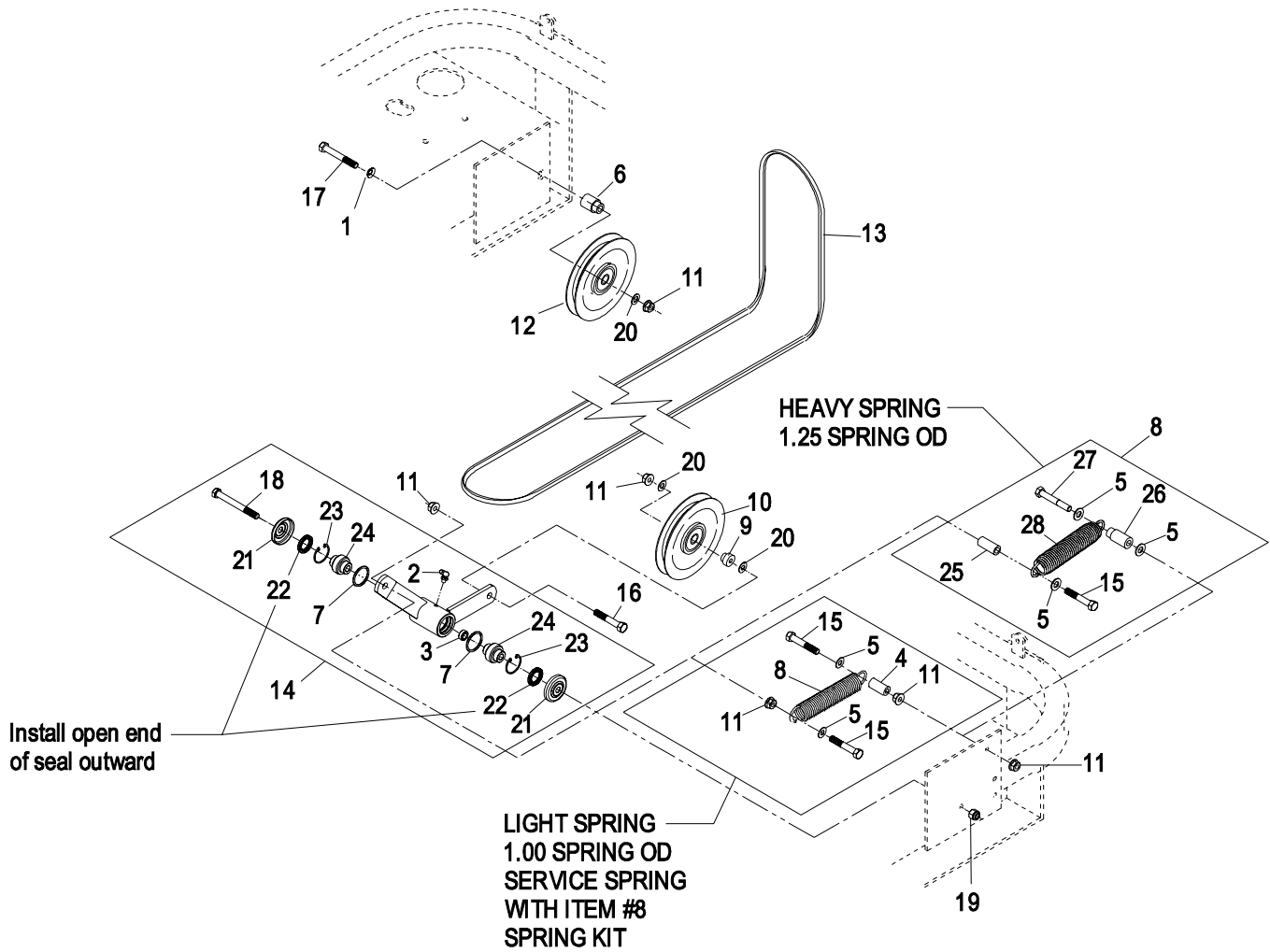
Item	Part No.	Description	Qty.
20	322-6	Screw, 5/16-18 x 1 1/4	4
21	323-4	Screw, 3/8-16 x 3/4.....	8
22	323-7	Screw, 3/8-16 x 1 1/4	4
23	323-9	Screw, 3/8-16 x 1 3/4	6
24+	1-803022	Set Screw, 5/16 x 5/8.....	2
25	3296-39	Nut, Nyloc 3/8-16.....	6
26	3219-2	Nut, 5/16-24	8
27	1-804524	Nut, 5/16-24 (LH)	3
28	3220-2	Nut, Jam 5/16-24	2
29	3256-2	Washer, 1/4	2
30	3256-3	Washer, 5/16 Std.....	4
31	3290-357	Nut, Whizlock 3/8-16.....	8
32	3272-5	Pin, Cotter 3/32 x 1/2	2
33	1-808280	Pin, Clevis 5/16 x 1	2
34	3296-29	Nut, Nyloc 5/16-18.....	4
35	1-323245	Spring, Compression	2
36	103-3060	Knob, Tracking.....	1
37	103-4330	Asm, Tracking Rod	1
38	103-4331	Asm, Tracking Rod	1

Exmark black touch up spray paint - gloss black.

* Not Illustrated.

+ Use Pro-lock, Nut type (Part No. 1-840022), .5ml tube on setscrews.

ENGINE DECK GROUP



Item	Part No.	Description	Qty.
1	98-5975	Washer, Spring Disc 3/8.....	1
2	302-40	Zerk, 1/4-20 (90°).....	1
3	103-5677	Spacer	1
4	1-603401	Spacer, Spring (Light Spring)	1
5	3256-4	Washer, 3/8 Std (Light Spring)	2
	3256-4	Washer, 3/8 Std (Heavy Spring).....	3
6	103-2627	Bushing, Idler.....	1
7	106-7159	O-ring.....	2
8■	103-9020	Kit, Mule Idler Spring.....	1
9	1-603496	Bushing, Idler.....	1
10	1-603805	Pulley, Idler.....	1
11	3290-357	Nut, Whizlock 3/8-16.....	6
12	1-633166	Pulley, Idler.....	1
13	103-4014	Belt, Mule Drive.....	1
14*	103-5695	Kit, Idler Arm (103-4593-03) W/Bearings	1

Item	Part No.	Description	Qty.
15	323-11	Screw, 3/8-16 x 2 1/4 (Light Spring).....	2
	323-11	Screw, 3/8-16 x 2 1/4 (Heavy Spring).....	1
16	323-9	Screw, 3/8-16 x 1 3/4.....	1
17	323-13	Screw, 3/8-16 x 2 3/4	1
18	1-800805	Screw, 3/8-16 x 3 1/2 Gr8	1
19	3296-39	Nut, Nyloc 3/8.....	1
20	3256-24	Washer, 3/8 SAE	3
21	103-2916	Guard, Top	2
22	103-3506	Seal, Single Lip.....	2
23	32120-10	Ring, Retaining	2
24	103-3504	Bearing, Spherical	2
25	1-633082	Bushing (Heavy Spring).....	1
26	1-653366	Bushing, Shouldered (Heavy Spring)	1
27	323-12	Screw, 3/8-16 x 2 1/2 (Heavy Spring).....	1
28	103-8599	Spring (Heavy Spring).....	1

Exmark black touch up spray paint - gloss black.

* Kit also includes item #19.

■ Kit includes items #5 (3), #11 (2), #15 (1), #25, #26, #27 & #28.

ENGINE DECK GROUP (cont.)

Item	Part No.	Description	Qty.
1	1-643315	Baffle, Engine Cooler (25HP, 27HP & 28HP EFI).....	1
2	1-303335	Plastic Tie (23HP, 25HP & 27HP).....	2
	1-303335	Plastic Tie (28HP EFI).....	1
3	1-523420	Bumper, Rubber.....	2
4	322-6	Screw, 5/16 x 1 1/4	1
5	1-633630	Grommet.....	2
6	1-603610	Washer, Spring Disc	2
7	1-633615-03	Guard, Rear Engine	1
8	1-633543-03	Strap, Clutch	1
9●	103-3245	Clutch Kit (23HP)	1
●	103-3246	Clutch Kit (25HP & 27HP)	1
●	103-5835	Clutch Kit (28HP EFI).....	1
	103-3012	Kit, Brake Pole Module.....	1
10	1-633453	Spacer (23HP)	1
	1-633179	Spacer (25HP, 27HP & 28HP EFI).....	1
11	103-3340	Asm, Shield W/Decals.....	1
12	103-1308	Shield, Engine.....	1
13	323-9	Screw, 3/8-16 x 1 3/4	4
14	1-634796	Shield (LH) – Subassy	1
15	1-633301	Shield, Heat	2
16	321-4	Screw, 1/4-20x 3/4	1
17	1-643313-03	Shield, Muffler	1
18	1-644316	Shield (RH) – Subassy	1
19	1-523285	Clip, Shield.....	2
20	103-3535	Kit, Cable Heat Shield	1
21	322-19	Screw, 5/16-18 x 4	1
22	321-4	Screw, 1/4-20 x 3/4	10
23	1-613235	Washer	4
24	323-6	Screw, 3/8-16x1 (23HP, 25HP & 27HP) .	6
	323-6	Screw, 3/8-16 x 1 (28HP EFI).....	7
25▲	3212-10	Screw, 7/16-20 x 2 1/2	1

Item	Part No.	Description	Qty.
26	1-803035	Rivet, 3/16 x 1/4.....	11
27	3296-42	Nut, Nyloc 1/4-20.....	4
28	103-7454-03	Bracket, Guard Top	2
29	3256-2	Washer, 1/4 Std.....	4
30	3256-3	Washer, 5/16 Std.....	1
31	32128-20	Nut, Whizlock 5/16-18.....	2
32	3290-357	Nut, Whizlock 3/8-16 (23, 25 & 27HP)....	14
	3290-357	Nut, Whizlock 3/8-16 (28HP EFI)	15
33	32128-33	Nut, Whizlock 1/4-20.....	9
34	1-633396	Clip, Loom .56	1
35○	1-809108	Screw, Self Tapping 5/16-18x1.75	2
□	1-809076	Screw, M6-1.0 x 45mm	2
36	103-1514	Clamp, Muffler (1.38) (28HP EFI).....	1
37	1-323236	Spacer	2
38	1-633545	Spacer, Grommet	2
39	1-633988	Spacer, Clutch Anchor.....	1
40■	103-3247	Kit, Clutch Jumper Harness (23HP, 25HP & 27HP)	1
❖	103-5850	Kit, Clutch Jumper Harness (28HP EFI) .	1
41	3256-63	Washer, 3/16 Std.....	6
42+	103-1996	Valve, Oil Drain Long.....	1
43✖	103-7480	Kit, Muffler Kohler (23, 25 & 27HP)	1
*	103-7483	Kit, Muffler Kohler (28HP EFI).....	1
44▽	9266934	Screw, 5/16-18x.5.....	2
45▽	324-2	Screw, 7/16-14x.75 G5	2
46▽	3253-6	Washer, Lock 7/16.....	2
47	33014-00	Nut, Hex M8 1.25).....	4
48	1-805005	Washer, Lock 5/16 Hvy.....	4
49	98-5975	Washer, Spring Disc 3/8	4
50	1-653291	Gasket	2
51	103-1513	Arrester, Spark (1.25) (28HP EFI).....	1

Exmark black touch up spray paint - gloss black.

+ Use a Teflon Pipe Sealant or equivalent on threads.

▲ Use Pro-Lock, Nut Type (P/N 1-840022, .5ml tube) on clutch bolt.

* Includes items #20, #36, #50, #51.

✖ Includes items #20, & #50.

● Includes clutch and jumper harness kit item #40.

■ Includes jumper harness, clip and 2 plastic ties item #2.

❖ Includes jumper harness and clips.

○ If your engine has the mounting bracket welded to the muffler as shown use this screw.

□ If your engine has an "L" mounting bracket bolted to the bottom of the muffler use this screw.

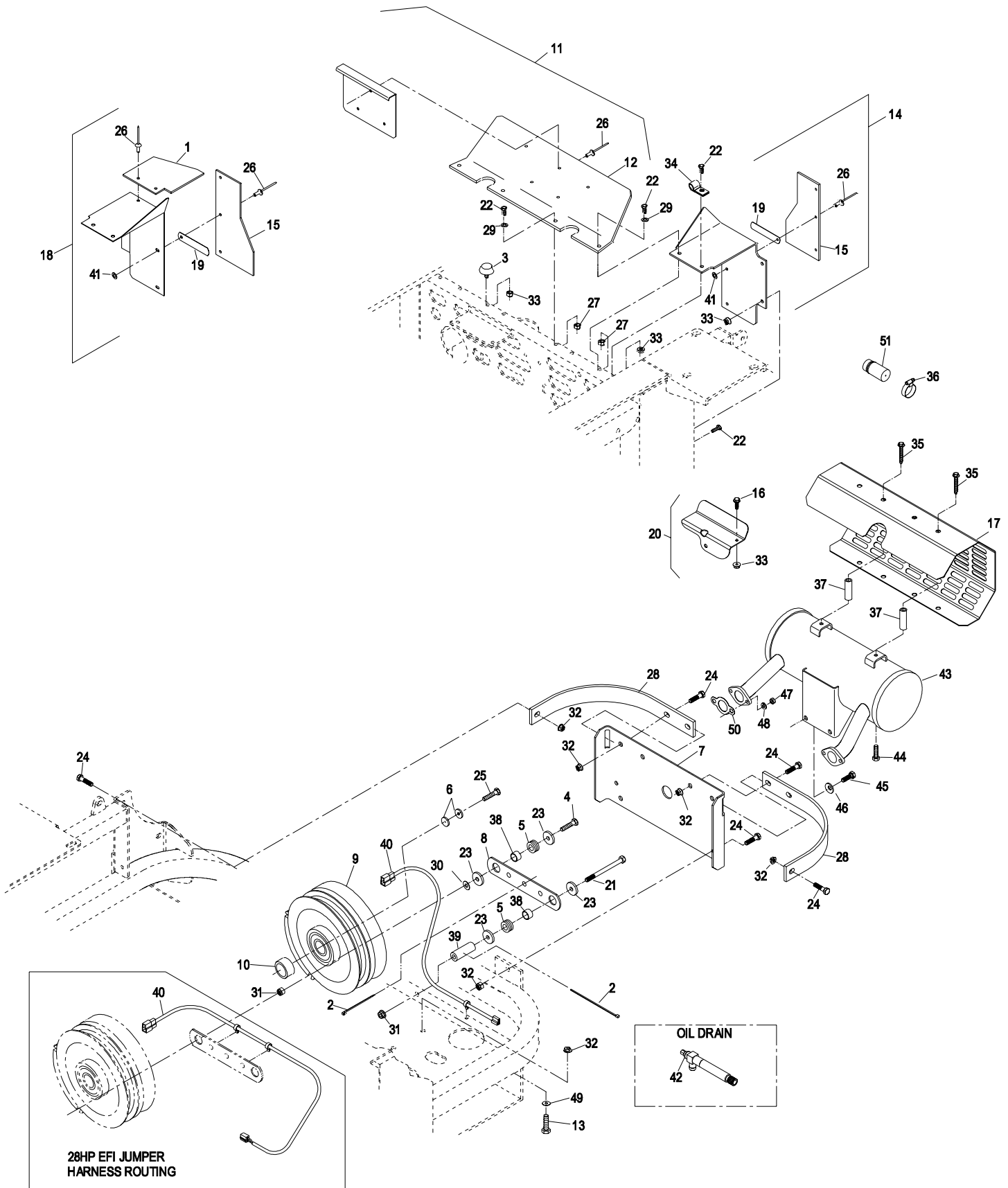
▽ If your engine has the mounting bracket welded to the muffler as shown use hardware shown. If you engine has an "L" mounting bracket bolted to the bottom of the muffler see a Kohler dealer for mounting bracket hardware.

Kohler Replacement Parts List

(Refer to Engine Owner's Manual)

<u>Description</u>	<u>Kohler Part</u>
Engine Oil Filter	5205002
Engine Air Filter	2508301
Safety Filter.....	2508304

ENGINE DECK GROUP (cont.)



HYDRAULIC GROUP

Item	Part No.	Description	Qty.
1	103-1947	Asm, Reservoir W/Decal	1
2	103-1948	Cap, Hydraulic Reservoir	1
3	103-1949	Gasket, Reservoir Cap.....	1
4	104-7836	Head, Filter	1
5	1-513211	Element, Hydraulic Oil Filter.....	1
▲	1-523541	Element, Hydraulic Filter (Winter).....	1
6	103-1988	Clamp, Hose (11/16).....	4
7	103-1716	Clamp, Hose (17/32).....	3
8	103-1826	Asm, Hose Hydraulic.....	1
9	103-1827	Asm, Hose Hydraulic.....	1
10	103-1808	Hose, Hydraulic.....	1
11	103-1806	Asm, Case Drain Hose.....	1
12	103-1807	Elbow, 45°.....	1
	1-603921	Boss O-Ring	1
13	103-1828	Adapter, Run Tee.....	1
	1-603921	Boss O-Ring	1
14	103-1801	Adapter, Straight	1
	1-603921	Boss O-Ring	1
15	103-1912	Adapter, Straight	1
	1-603921	Boss O-Ring	1
16	103-1799	Elbow, 90°.....	2
	1-603921	Boss O-Ring	1
17	321-3	Screw, 1/4-20 x 5/8	2
18	1-805004	Lockwasher, 1/4.....	2
19	103-1802	Elbow, 90°.....	2
	1-603921	Boss O-Ring	1
20	103-7262	Pump, Hydraulic.....	2
	103-7441	Kit, Input Bearing	1
	103-8448	Kit, Thrust Bearing	1
	103-7443	Kit, Cylinder Block.....	1
	105-6184	Kit, Overhaul Seal.....	1
	103-2741	Kit, Shock Value.....	1
21	1-603990	Connector, Straight	4
	1-603920	O-Ring (SAE #8)	1
	1-603992	O-Ring (37° Flare #8).....	1
22	103-6988	Motor, Wheel Drive	2
	103-6996	Kit, Output Shaft & Seals.....	1
	103-6994	Kit, Seal	1
23	103-3733	Hose, Upper LH (52 & 60).....	1
	103-3734	Hose, Upper (72)	2

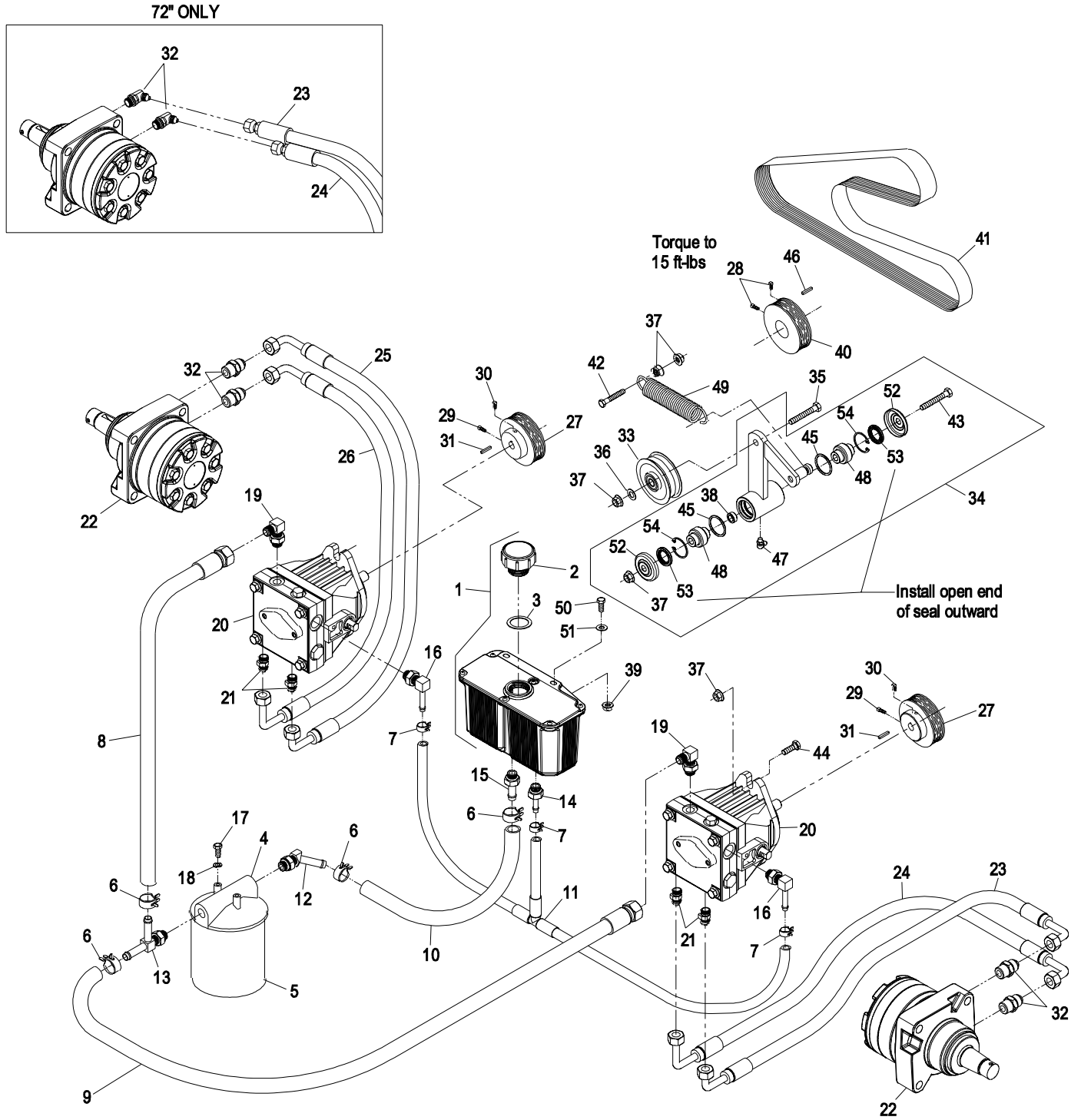
Item	Part No.	Description	Qty.
24	103-3735	Hose, Lower LH (52 & 60).....	1
	103-1863	Hose, Lower (72)	2
25	103-3736	Hose, Upper RH (52 & 60).....	1
26	103-3737	Hose, Lower RH (52 & 60).....	1
27	103-6907	Sheave, Pump	2
28+	1-803022	Setscrew, Sq Hd 5/16-18 x 5/8.....	2
29+	30-1710	Setscrew, Sq Hd Cup 5/16-18 x 1	2
30+	1-803050	Setscrew, Sq Hd Cup 5/16-18 x 3/4	2
31	5-1077	Key, Machine 3/16 SQ x 1	2
32	1-603991	Adapter, Straight (52 & 60)	4
	1-603919	Boss O-Ring	1
	1-603992	Flare O-Ring	1
	1-633786	Elbow, 90° Long (72)	4
	1-603919	Boss O-Ring	1
	1-603992	Flare O-Ring	1
33	1-633167	Pulley, Idler W/Bushing.....	1
34	103-5694	Kit, Idler Arm (103-4595-03) W/Bearings	1
35	323-9	Screw, HH 3/8-16 x 1 3/4.....	1
36	3256-3	Washer, Flat Std 5/16	1
37	3290-357	Nut, Whizlock 3/8-16.....	8
38	103-5677	Spacer	1
39	32128-33	Nut, Whizlock 1/4-20.....	2
40	1-633567	Sheave, Engine	1
41	103-6906	Belt, Pump Drive.....	1
42	323-8	Screw, 3/8-16 x 1 1/2	1
43	1-800805	Screw, 3/8-16 x 3 1/2 Gr8	1
44	323-7	Screw, 3/8-16 x 1 1/4	4
45	106-7159	O-ring	2
46	13-2840	Key, 1/4 x 1/4 x 1 1/4	1
47	302-40	Zerk, 90° 1/4-28.....	1
48	103-3504	Bearing, Spherical	2
49	103-3330	Spring, Extension.....	1
50	321-6	Screw, HH 1/4-20 x 1	2
51	3256-22	Washer, SAE 1/4	2
52	103-2916	Guard, Top	2
53	103-3506	Seal, Single Lip.....	2
54	32120-10	Ring, Retaining	2

Exmark black touch up spray paint - gloss black.

✚ Use Pro-Lock, Nut Type (P/N 1-840022, 5 ml tube) on setscrews.

▲ Use only for operation below 32°F (0°C).

HYDRAULIC GROUP



DECAL GROUP

Item	Part No.	Description	Qty.
1	103-3794	Decal, Park Brake	1
2	103-3979	Decal, Cutting Height	1
3	107-2112	Decal, Warning Slope	1
4	103-6319	Decal, Check Service.....	1
5	1-643222	Decal, Belt Routing	1
6■	1-323540	Decal, Roller Mounting.....	1
7	1-633706	Decal, Deck Height	1
8▲	103-1798	Decal, Throttle.....	1
9	103-1145	Decal, Ultracut 52	1
10	1-513742	Decal, No Step.....	2
11▲	103-0262	Decal, Fuel Valve.....	1
12	1-513748	Decal, Guard.....	1
13▲	103-3113	Decal, Lazer Model	1
14	103-1147	Decal, Ultracut 72	1
15	1-643339	Decal, Pump Belt Rtg.....	1
16	1-303508	Decal, Discharge Warning.....	1
17	103-3270	Decal, 3750 RPM.....	1
18+	103-5177	Decal, EFI.....	1
19▲	103-4474	Decal, Ignition/PTO.....	1

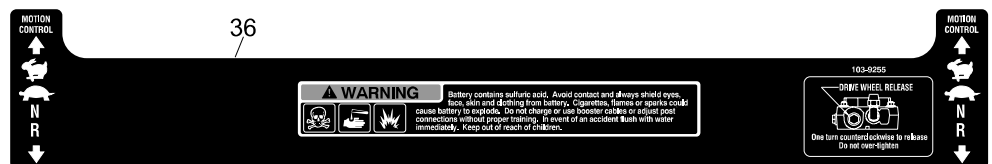
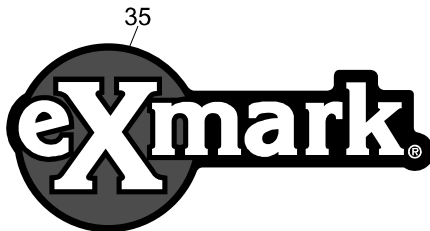
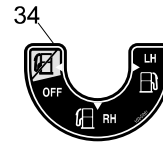
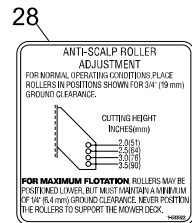
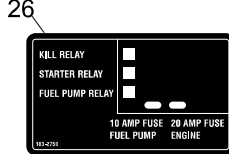
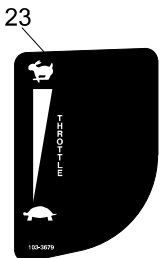
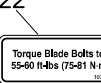
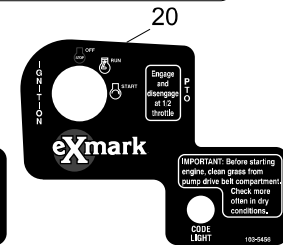
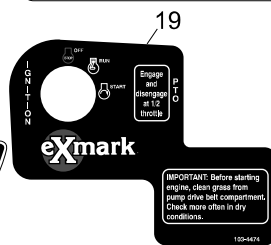
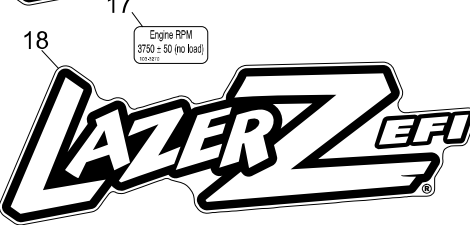
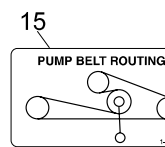
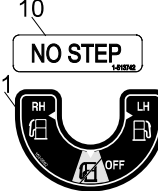
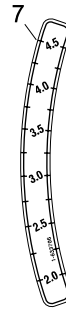
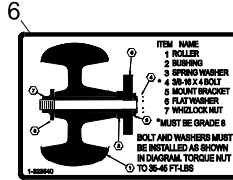
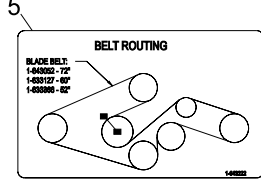
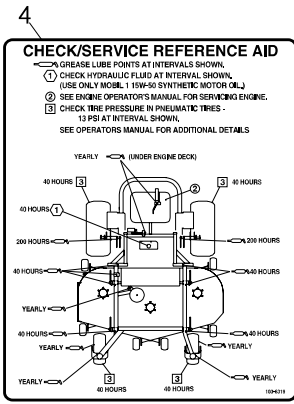
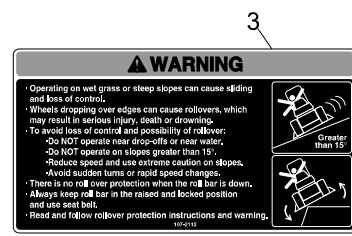
Item	Part No.	Description	Qty.
20+	103-5456	Decal, Ignition/PTO LZEFI	1
21▲	103-4930	Decal, Choke	1
22	103-7491	Decal, Bolt Torque	1
23+	103-3679	Decal, Console Throttle	1
24	98-5954	Decal, Missing Cover.....	2
25	1-633313	Decal, Warning	1
26+	103-2750	Decal, Relay/Fuse	1
27	107-2102	Decal, Rops Folding.....	1
28	1-633922	Decal, Anti-Scalp	1
29	103-5881	Decal, Rotating Devices.....	1
30	1-633462	Decal, Important	1
31	103-1146	Decal, Ultracut 60	1
32	1-403005	Decal, Danger.....	2
33	1-523552	Decal, Hyd Tank/Hot Surface.....	1
34+	103-0261	Decal, Fuel Valve.....	1
35	103-2882	Decal, Exmark Logo.....	1
36	103-9255	Decal, Console Top	1
	103-5470	Decal Kit-Air-Cooled (Including EFI)	

▲ Decal for all units except Kohler EFI.

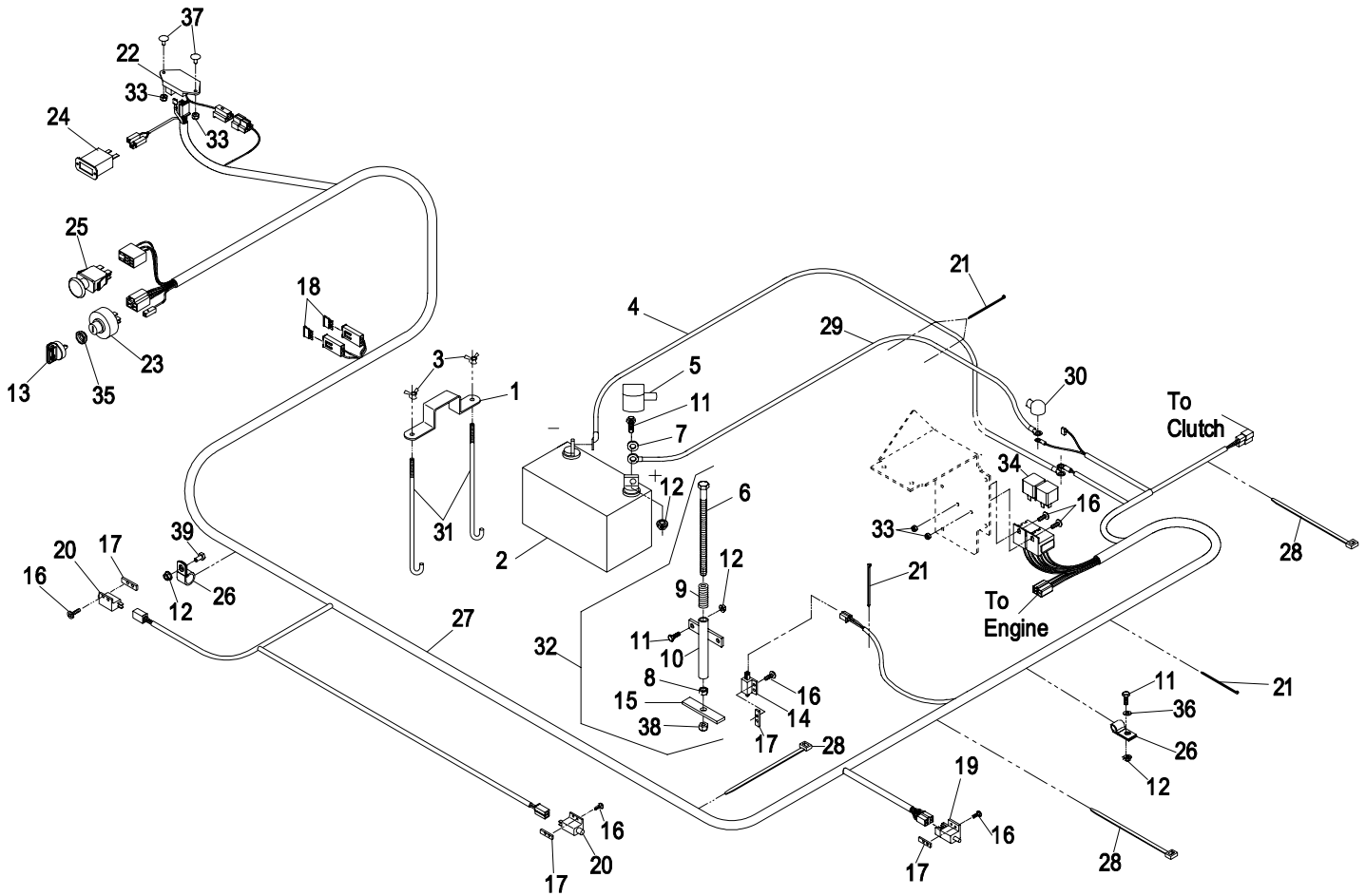
+ Decals for Kohler EFI units only.

■ Decal used on decks with type A anti scalp axles. Reference pages 3-8.

DECAL GROUP



23 & 27 HP KOHLER AIR-COOLED ELECTRICAL GROUP

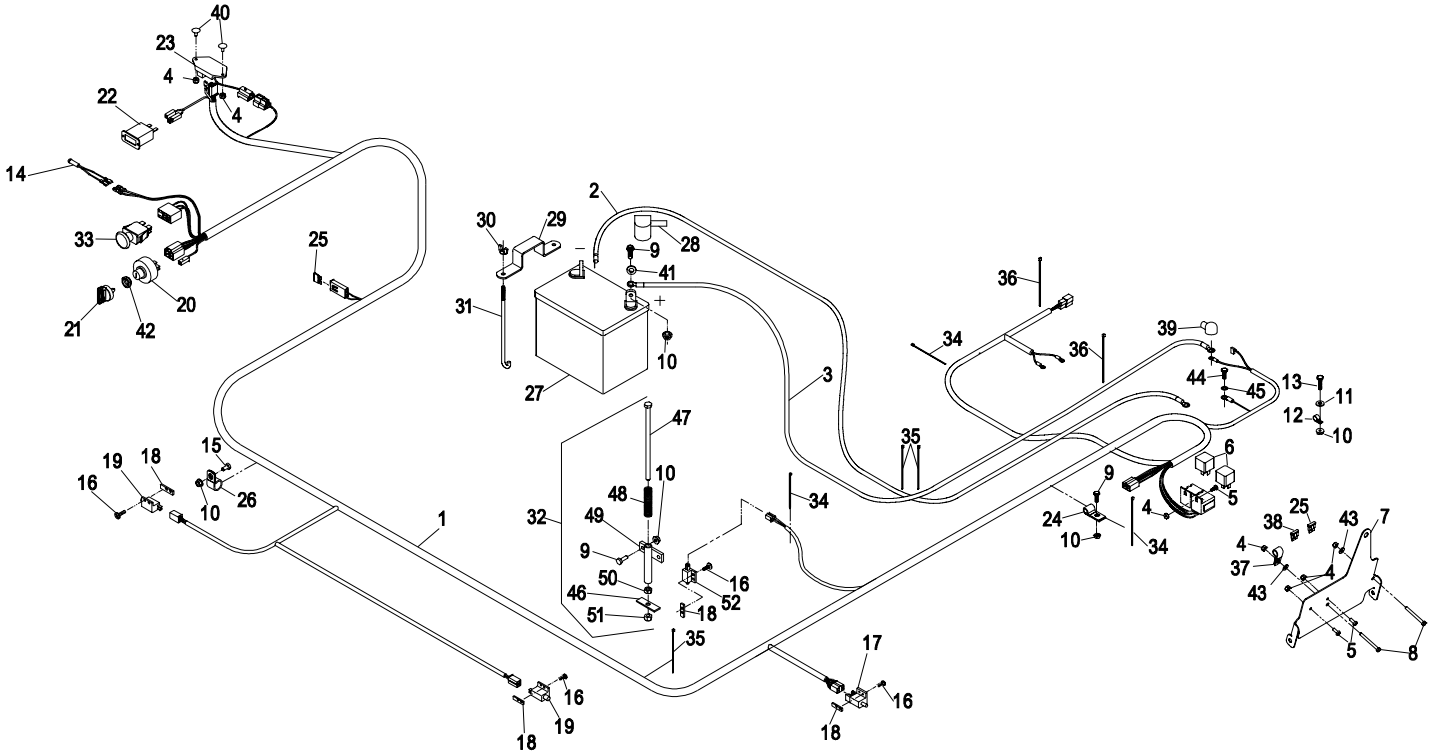


Item	Part No.	Description	Qty.
1	1-633652-03	Hold Down, Battery	1
2	103-0293	Battery-12V	1
3	1-543792	Wingnut, Nyloc.....	2
4	1-633307	Cable, Battery (-) 40".....	1
5	1-543391	Insulator, Battery.....	1
6	1-800282	Screw, 5/16-18 x 7	1
7	3256-2	Washer, 1/4 Flat.....	2
8	3217-6	Nut, Hex 5/16-18	1
9	1-523415	Spring, Seat Switch.....	1
10	1-522424-03	Wldmt, Spring Mount.....	1
11	321-4	Screw, 1/4-20 x 3/4	5
12	32128-33	Nut, 1/4-20 Whizlock.....	6
13	103-2106	Key, Exmark Logo.....	1
	1-603511	Key, Ignition	1
14	1-513152	Switch, Seat N.C.	1
15	1-513180	Actuator, Seat Switch.....	1
16	3290-500	Screw, #10-24 x 5/8	10
17	1-633181	Plate, Tapped.....	4
18	1-816001	Fuse-20 Amp	2
19	1-633111	Switch, Brake N.O./N.C.....	1

Item	Part No.	Description	Qty.
20	1-513051	Switch, Drive Lever N.O.....	2
21	1-303287	Plastic Tie (Small).....	5
22	103-5218	Module, Seat Delay	1
23	103-0206	Switch, Ignition W/ Keys	1
24	1-513374	Meter, Engine Hours	1
25	103-5221	Switch, PTO.....	1
26	1-633396	Clip, Loom .69	2
27▲	103-4733	Harness, Wiring	1
28	1-303335	Plastic Tie (Large).....	3
29	1-523281	Cable, Battery (+) 30"	1
30	1-543393	Insulator, Solenoid (+).....	1
31	1-633651	Bolt, Battery Hold Down	2
32	103-5652	Asm, Seat Switch Actuator.....	1
33	3296-2	Nut, #10-24 Hex Nyloc.....	4
34	1-643275	Relay, 12V	2
35	103-0498	Nut, Ignition	1
36	3256-22	Washer, 1/4 SAE	1
37	1-807513	Bolt, Carriage #10-24 x 1/2	2
38	3296-29	Nut, 5/16-18 Nyloc.....	1
39	321-2	Screw, 1/4-20 x 1/2.....	1

▲ Use dielectric grease on all wiring harness connectors.

28 HP KOHLER EFI ELECTRICAL GROUP



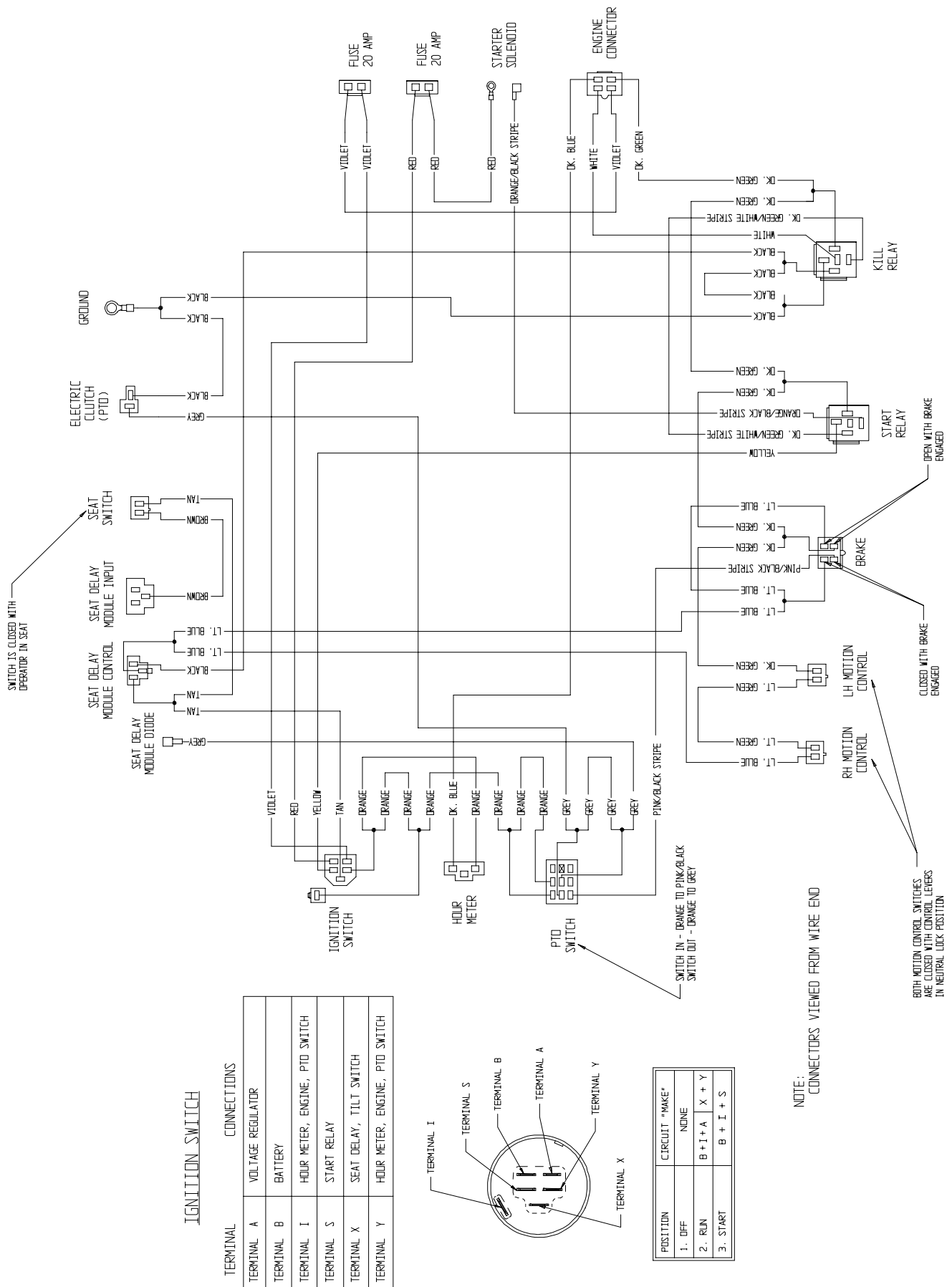
Item	Part No.	Description	Qty.
1▲	103-4732	Harness-Wiring	1
2	1-633307	Cable-Battery (-)	1
3	1-523279	Cable- Battery (+).....	1
4	3296-2	Nut, Nyloc #10-24	8
5	1-803071	Screw, Machine #10-24 x 1/2.....	4
6	1-643275	Relay, 12V	2
7	103-7455-03	Panel, Fuse & ECU Mount	1
8	32105-20	Screw, Mach #10-24 x 2.....	2
9	321-4	Screw, 1/4-20 x 3/4	5
10	32128-33	Nut, 1/4-20 Whizlock.....	7
11	3256-22	Washer, 1/4 SAE Flat.....	1
12	1-643312	Clip, Loom 1.0.....	1
13	321-6	Screw, 1/4-20 x 1	1
14	1-643267	Indicator, Red Led.....	1
15	321-2	Screw, 1/4-20 x 1/2	1
16	3290-500	Screw, #10-24 x 5/8	8
17	1-633111	Switch, N.O./N.C.....	1
18	1-633181	Plate- Tapped	4
19	1-513051	Switch, Drive Lever N.O.....	2
20	103-0206	Switch-Ignition W/Keys	1
21	103-2106	Key, Exmark Logo.....	1
	1-603511	Key, Ignition	1
22	1-513374	Meter- Engine Hours	1
23	103-5218	Module, Seat Delay.....	1
24	1-513762	Clip, Loom .50.....	2
25	1-816001	Fuse-20 Amp	2
26	1-633396	Clip, Loom .69.....	1

Item	Part No.	Description	Qty.
27	103-0293	Battery-12V.....	1
28	1-543391	Insulator, Battery.....	1
29	1-633652-03	Holdown, Battery	1
30	1-543792	Wingnut, Nyloc.....	2
31	1-633651	Bolt, Battery Holddown	2
32	103-4949	Asm, Seat Switch Actuator.....	1
33	103-5221	Switch, PTO.....	1
34	1-303287	Plastic Tie (Small).....	3
35	1-303335	Plastic Tie (Medium)	3
36	1-643115	Plastic Tie (Large).....	2
37	1-323229	Clip, Loom 3/8	1
38	1-816002	Fuse, 10 Amp	1
39	1-543393	Insulator, Solenoid +	1
40	1-807513	Bolt, Carriage #10-24 x 1/2	2
41	3256-2	Washer, 1/4 Flat	2
42	103-0498	Nut, Ignition	1
43	3256-14	Washer, #10	2
44	33114-016	Screw, M8-1.25 X 16mm	1
45	3256-23	Washer, 5/16 SAE	1
46	1-513180	Actuator, Seat Switch.....	1
47	1-800282	Screw, 5/16-18 X 7	1
48+	103-4792	Spring.....	1
49+	103-5225	Wldmt, Seat Spring Mount	1
50	3217-6	Nut, Hex 5/16-18	1
51	3296-29	Nut, 5/16-18 Nyloc.....	4
52	1-513152	Switch, Seat N.C.....	1

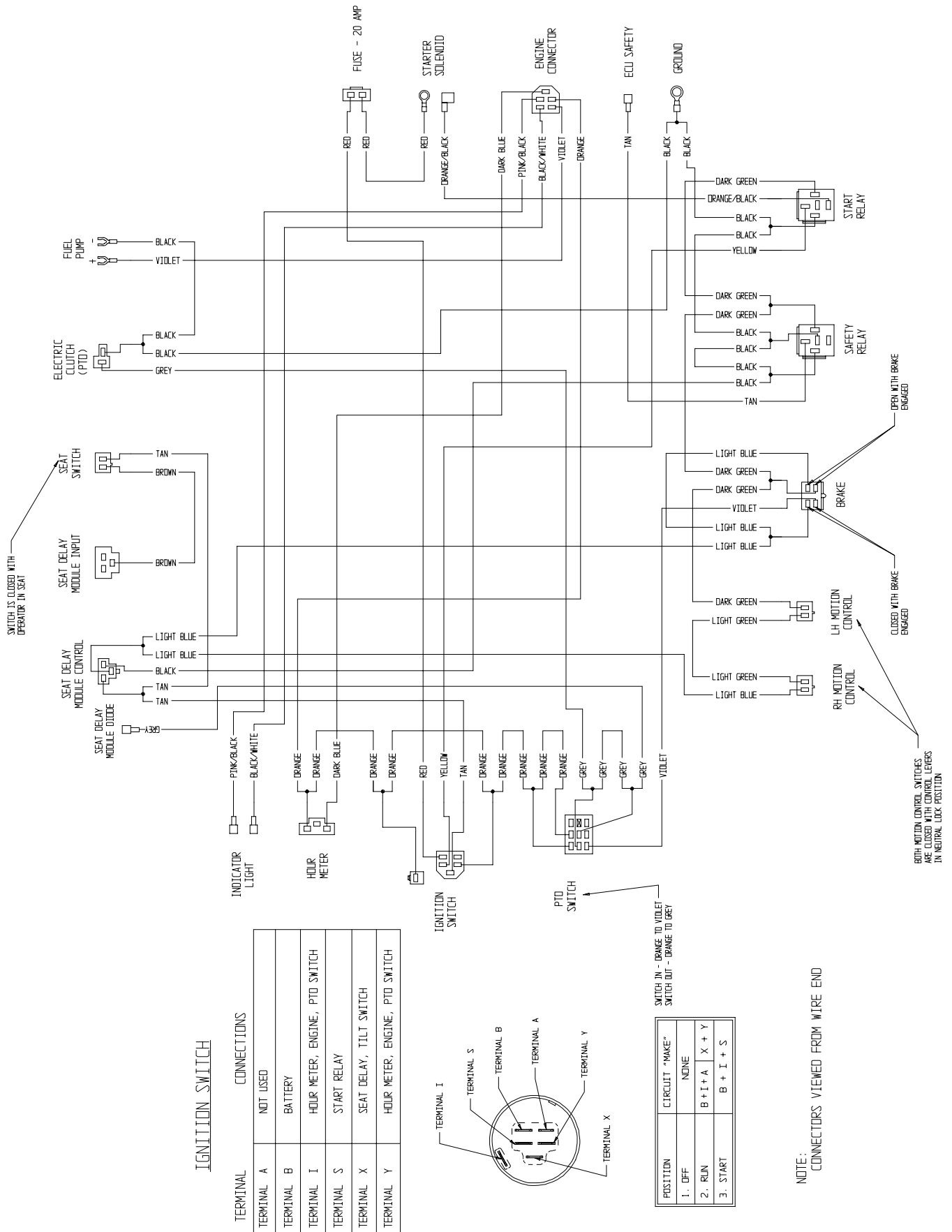
▲ Use dielectric grease on all wiring harness connectors.

+ Components not serviced individually. Service by seat switch actuator assembly, part no. 103-4949

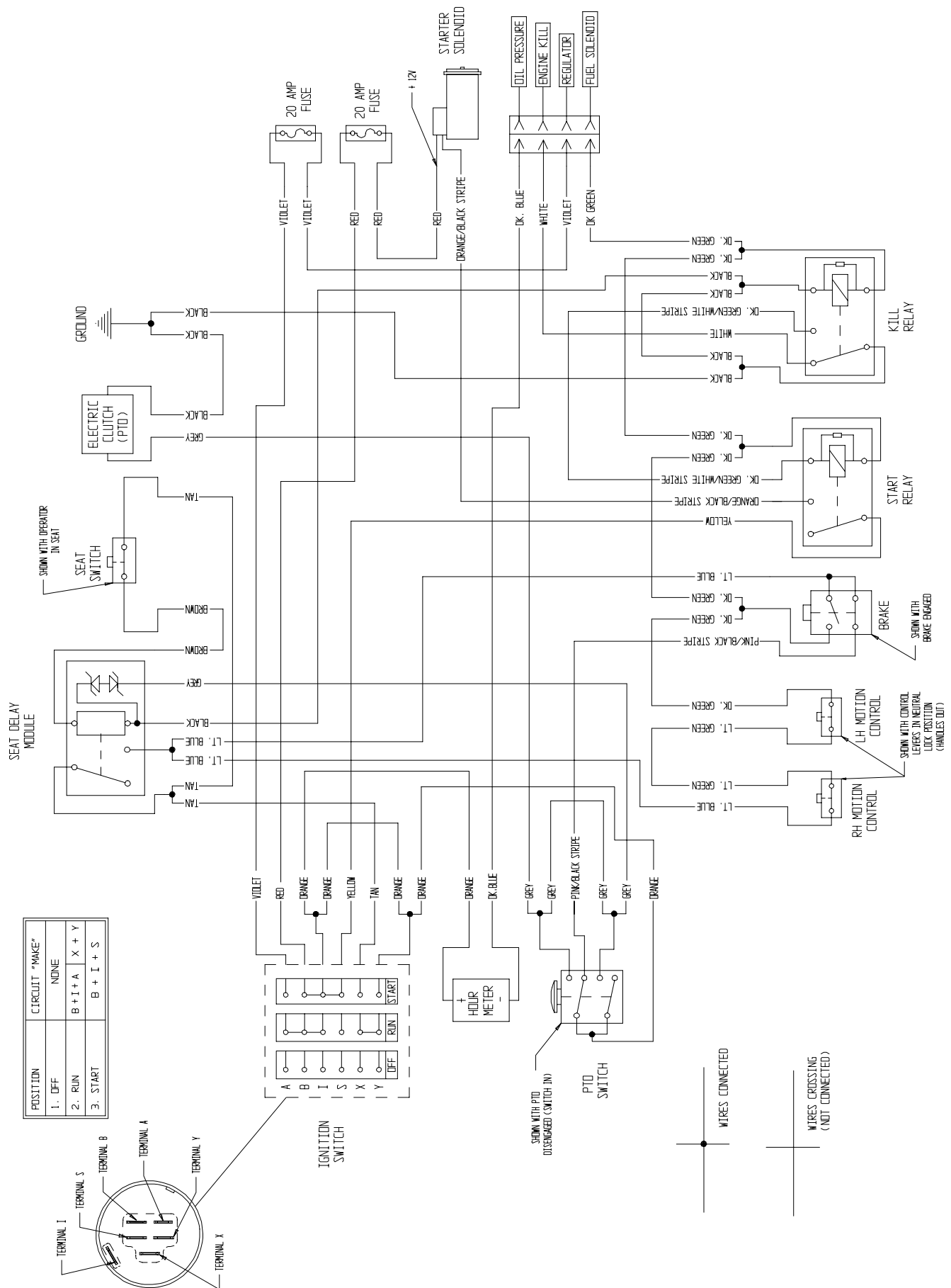
23 & 27 HP KOHLER AIR-COOLED ELECTRICAL DIAGRAM



28 HP KOHLER EFI ELECTRICAL DIAGRAM

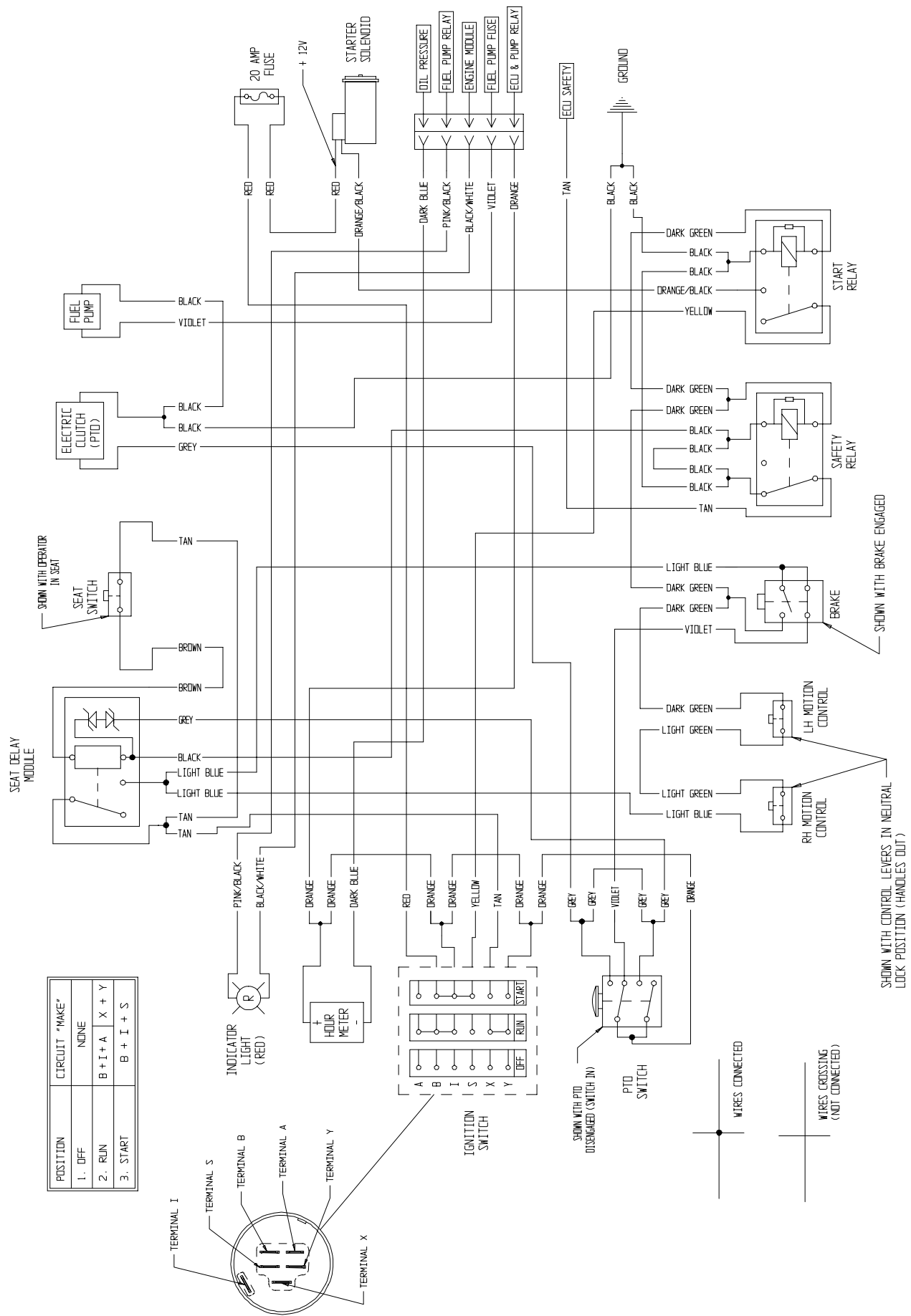


23 & 27 HP KOHLER AIR-COOLED ELECTRICAL LOGIC SCHEMATIC



POSITION	CIRCUIT "MAKE"
1. OFF	NONE
2. RUN	B + I + A X + Y
3. START	B + I + S

28 HP KOHLER EFI ELECTRICAL LOGIC SCHEMATIC



SEE EXMARK'S COMPLETE LINE OF ACCESSORIES

RIDING ACCESSORIES

CUSTOM RIDE SEAT SUSPENSION SYSTEM
DECK LIFT ASSIST KIT
HITCH KIT
LIGHT KIT
MICRO-MULCH SYSTEM
ROLL OVER PROTECTION SYSTEM (ROPS)
SNOW BLADE
SUN SHADE
TRASH CONTAINER
TURF STRIPER
ULTRA VAC COLLECTION SYSTEM
ULTRA VAC QUICK DISPOSAL SYSTEM

WALK BEHIND ACCESSORIES

GRASS CATCHER
MICRO-MULCH SYSTEM
STEERABLE SULKY
SULKY HITCH KIT
TURF STRIPER

Check us out on the Web:
www.exmark.com

© 1997-2004 EXMARK MFG. CO. INC.
INDUSTRIAL PARK BOX 808
BEATRICE, NE 68310

PART NO. 103-9173
(402) 223-6300
FAX (402) 223-5489

ALL RIGHTS RESERVED

PRINTED IN U.S.A.

